

603



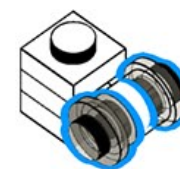
1x



604



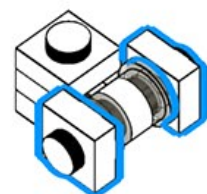
2x



605



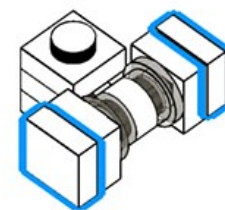
2x



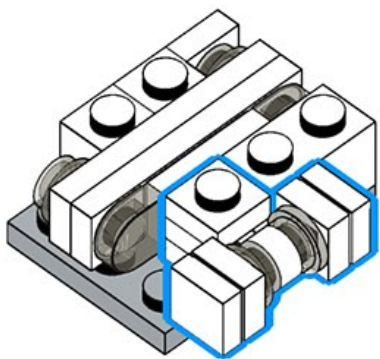
606



2x



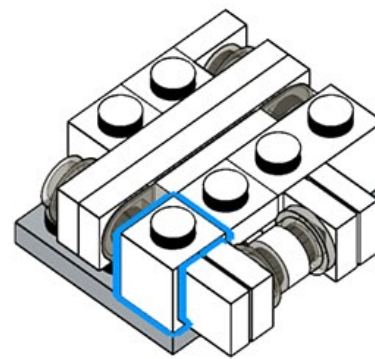
607



608



1x



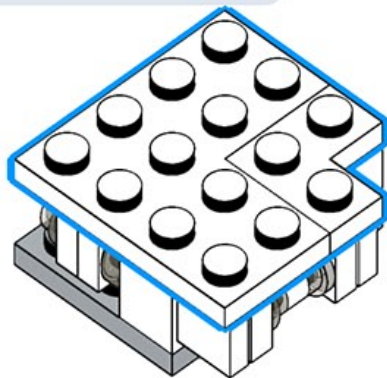
609



1x



1x



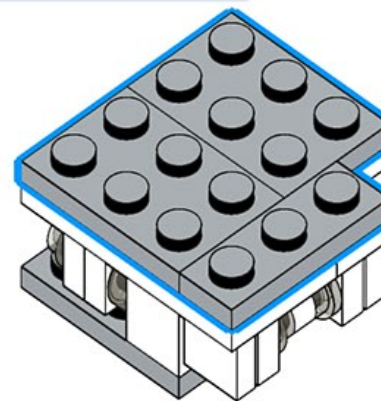
610



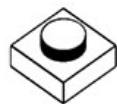
1x



2x



611



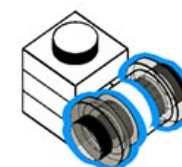
612



613



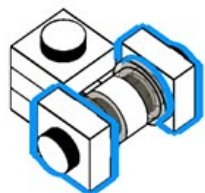
614



615



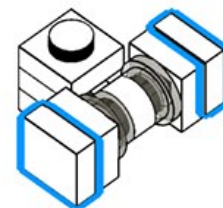
2x



616



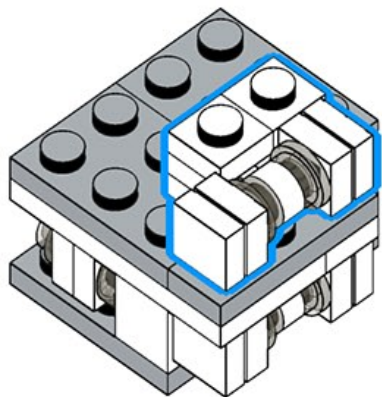
2x



617



1x



618



1x



619



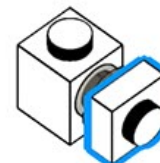
1x



620



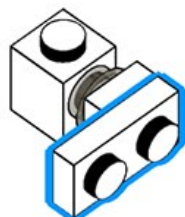
1x



621



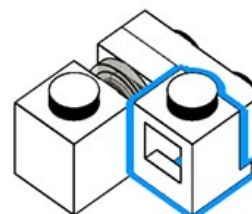
1x



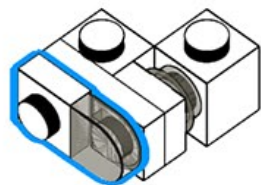
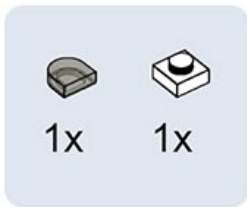
622



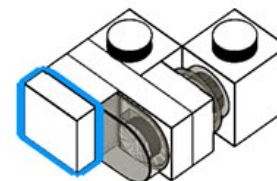
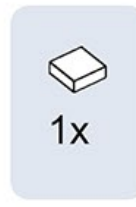
1x



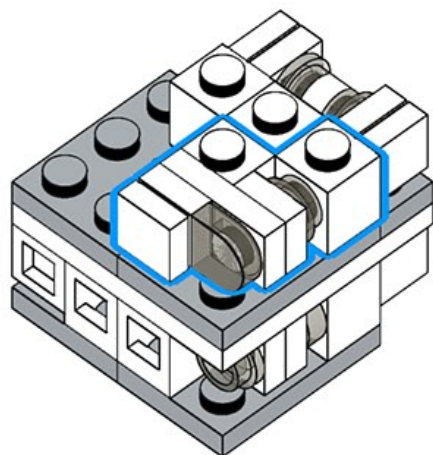
623



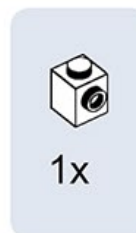
624



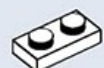
625



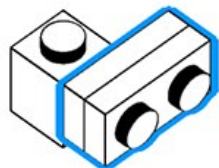
626



627



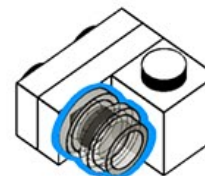
2x



628



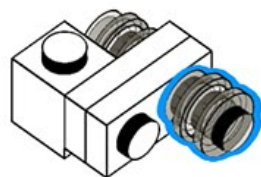
2x



629



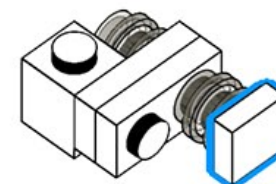
2x



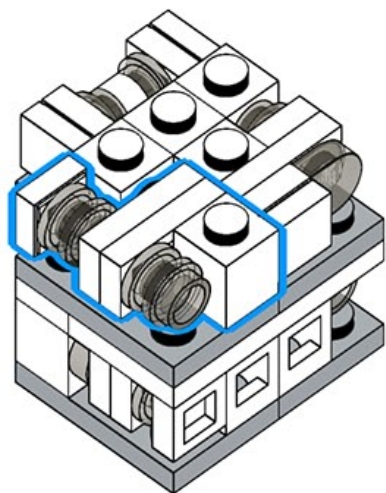
630



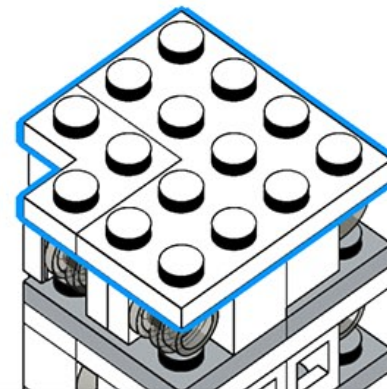
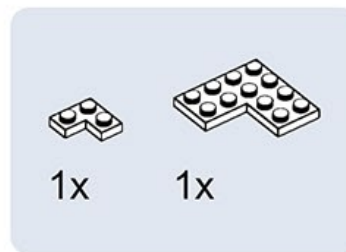
1x



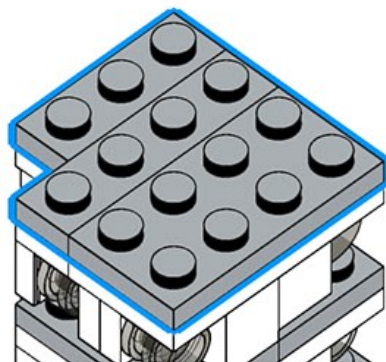
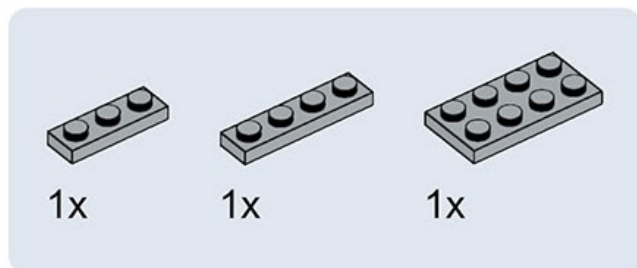
631



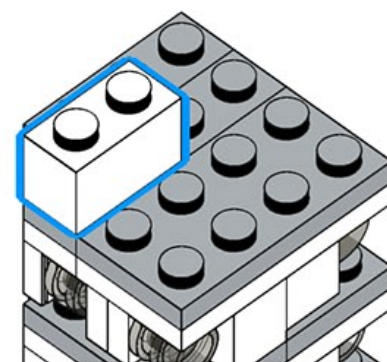
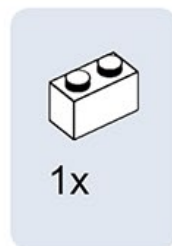
632



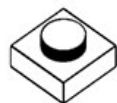
633



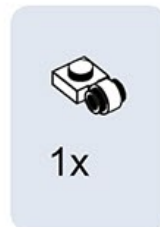
634



635



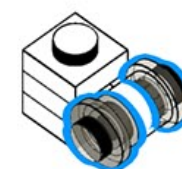
636



637



638



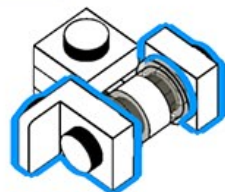
639



1x



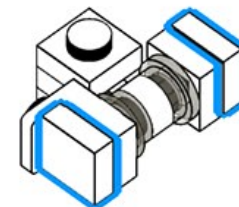
1x



640



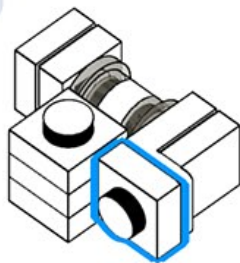
2x



641



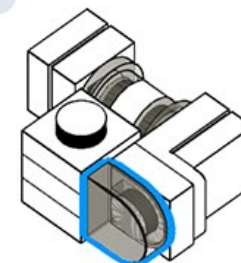
1x



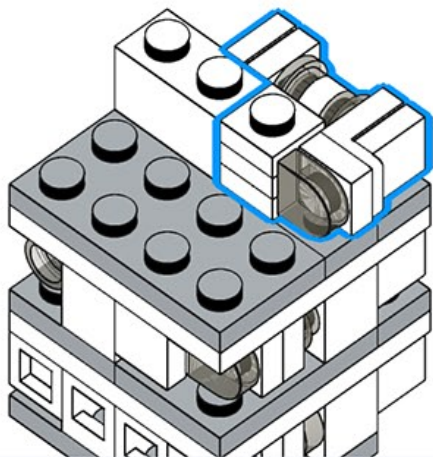
642



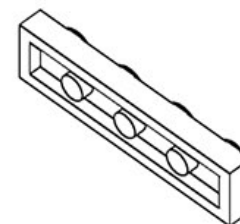
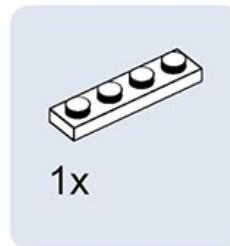
1x



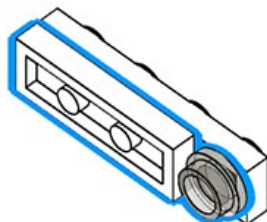
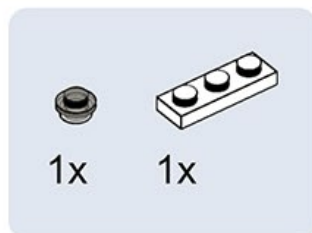
643



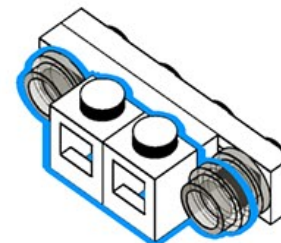
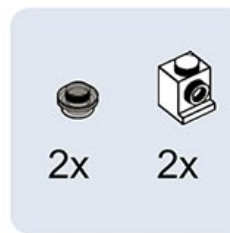
644



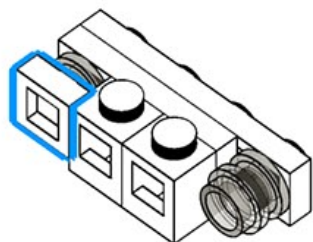
645



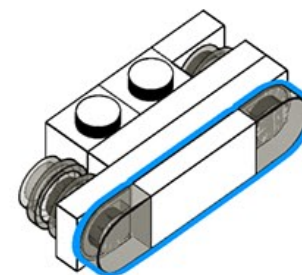
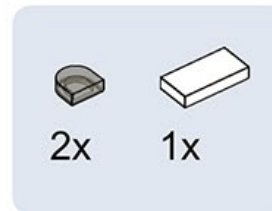
646



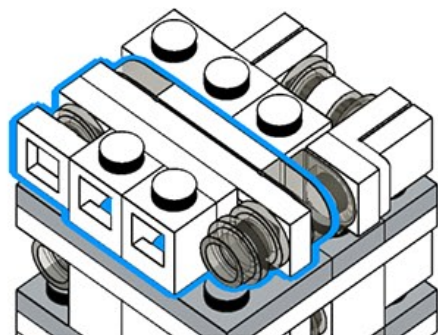
647



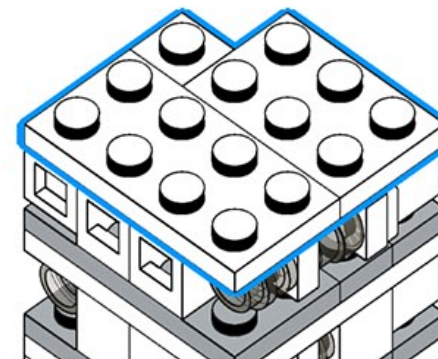
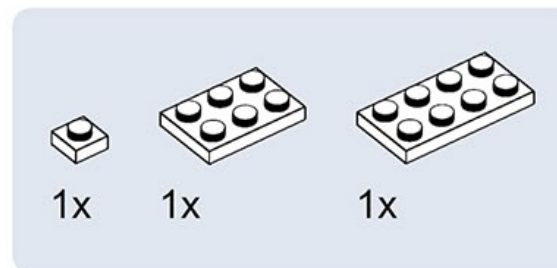
648



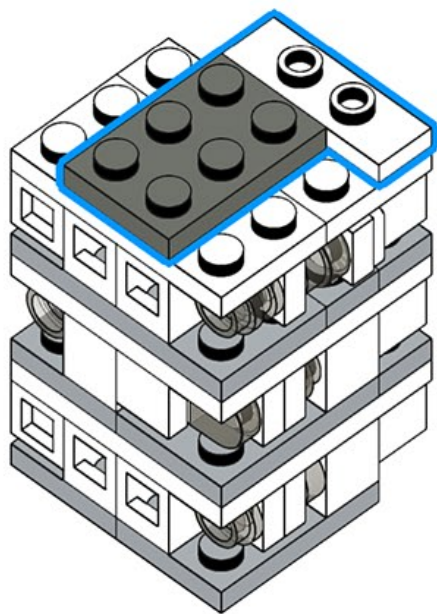
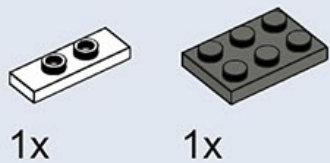
649



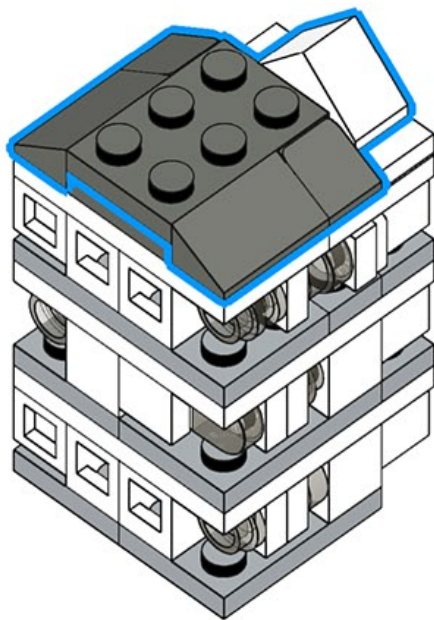
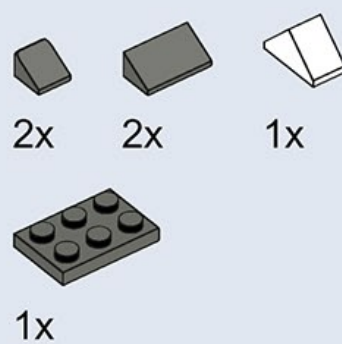
650



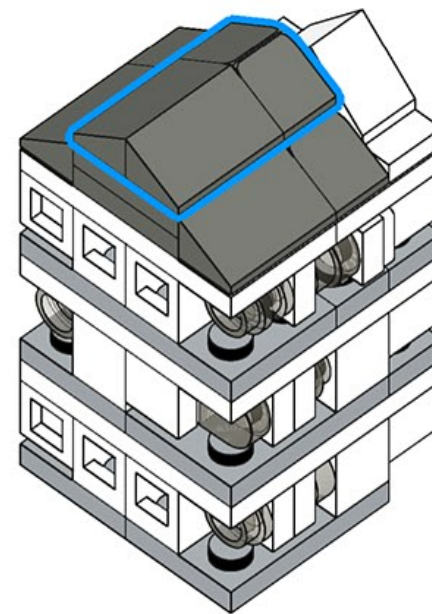
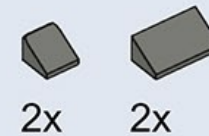
651



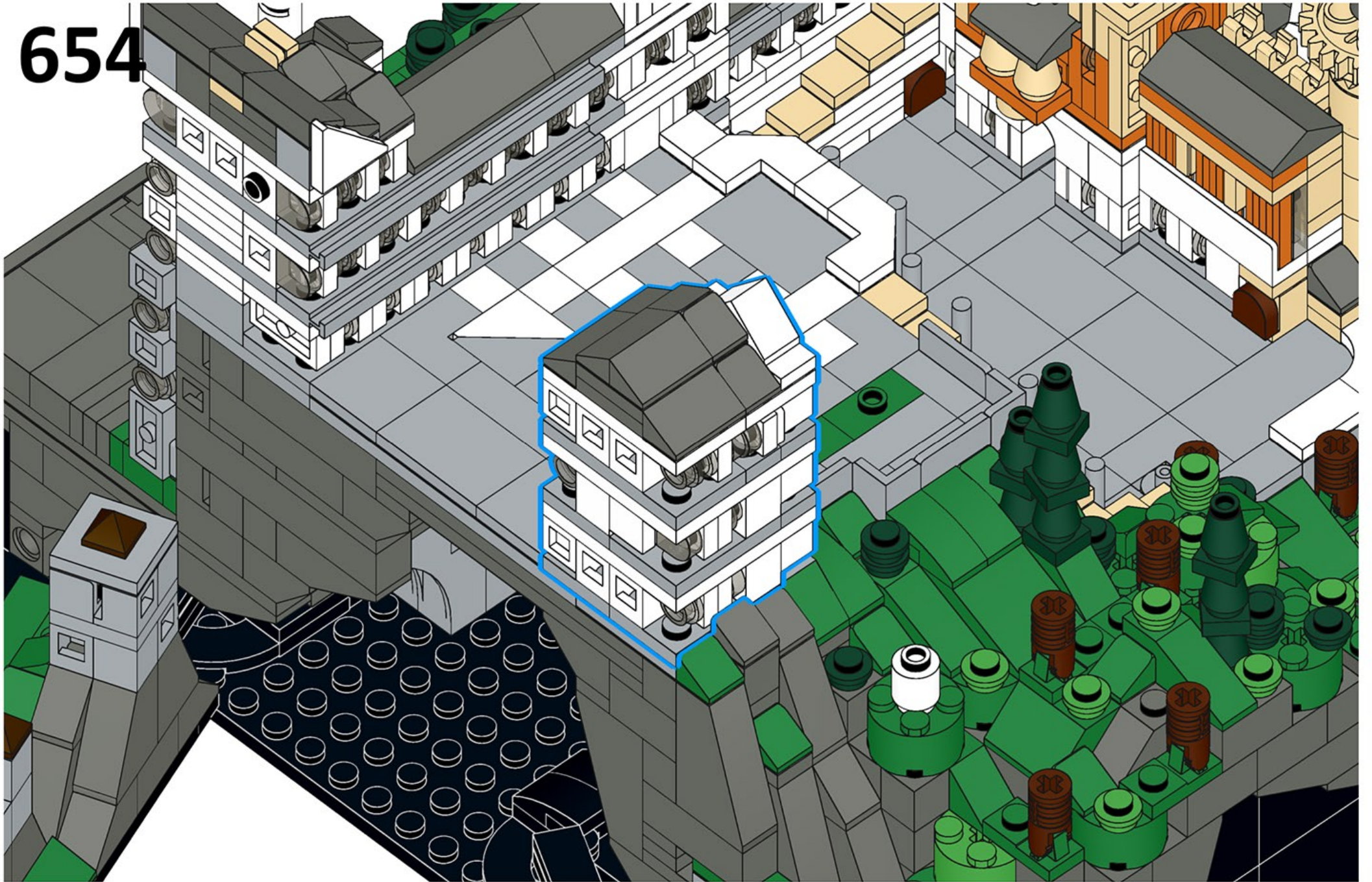
652



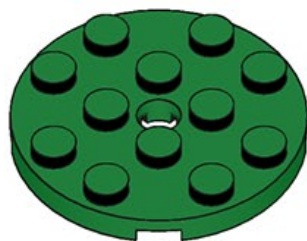
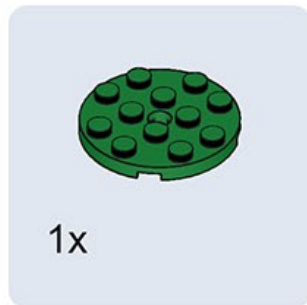
653



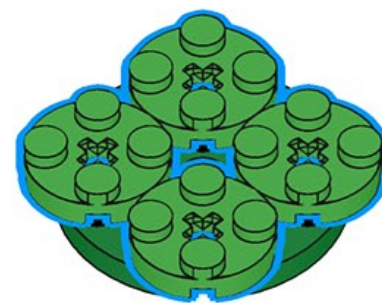
654



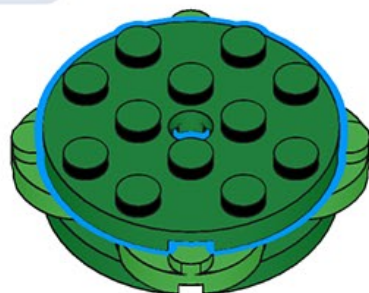
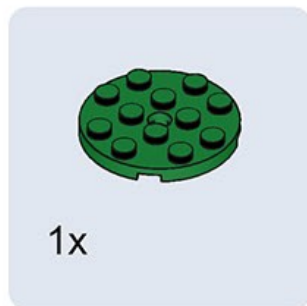
655



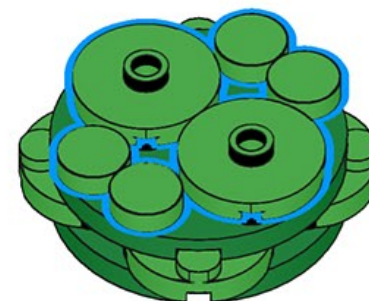
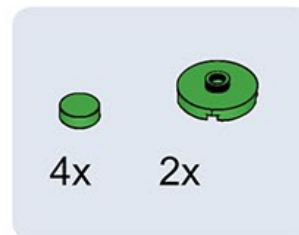
656



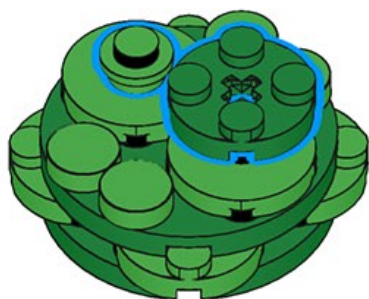
657



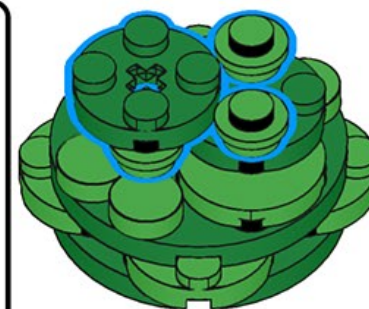
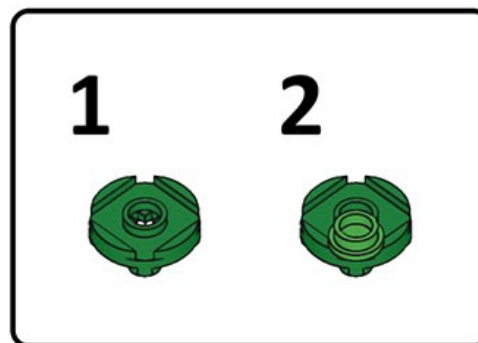
658



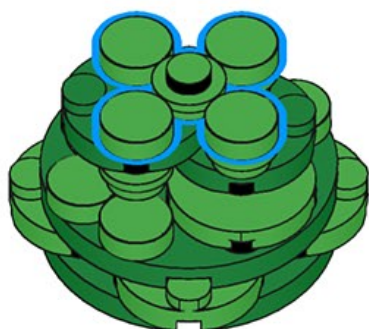
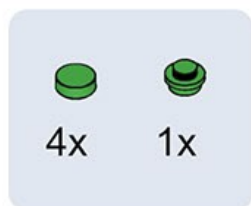
659



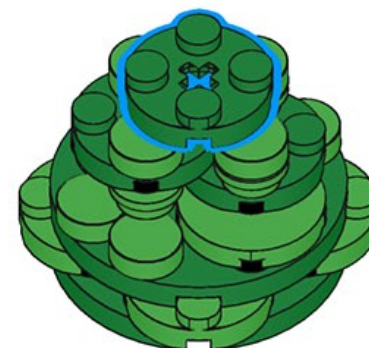
660



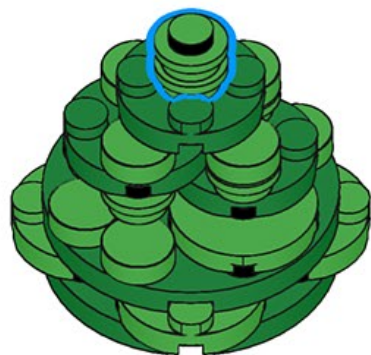
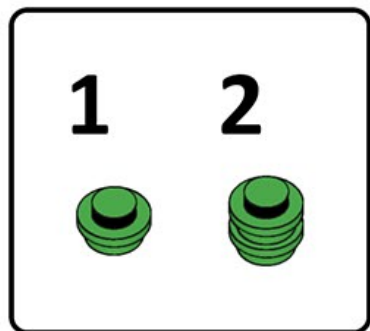
661



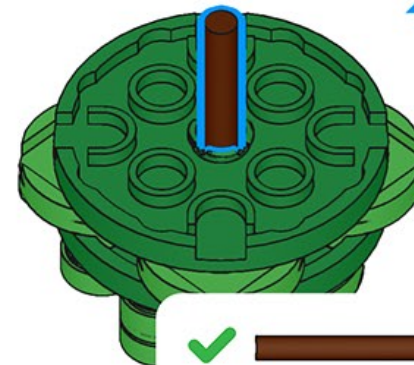
662



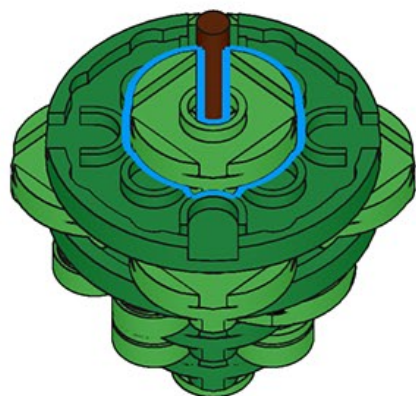
663



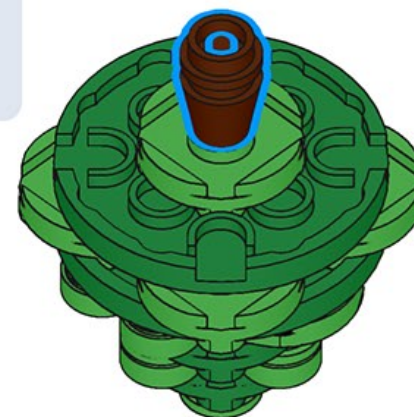
664



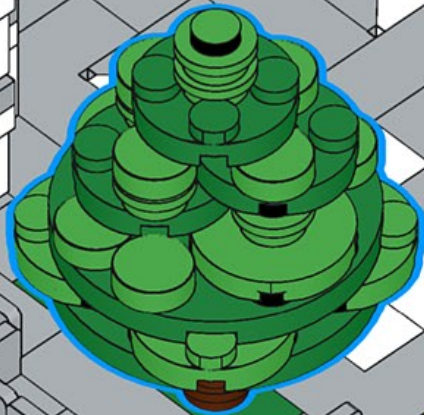
665



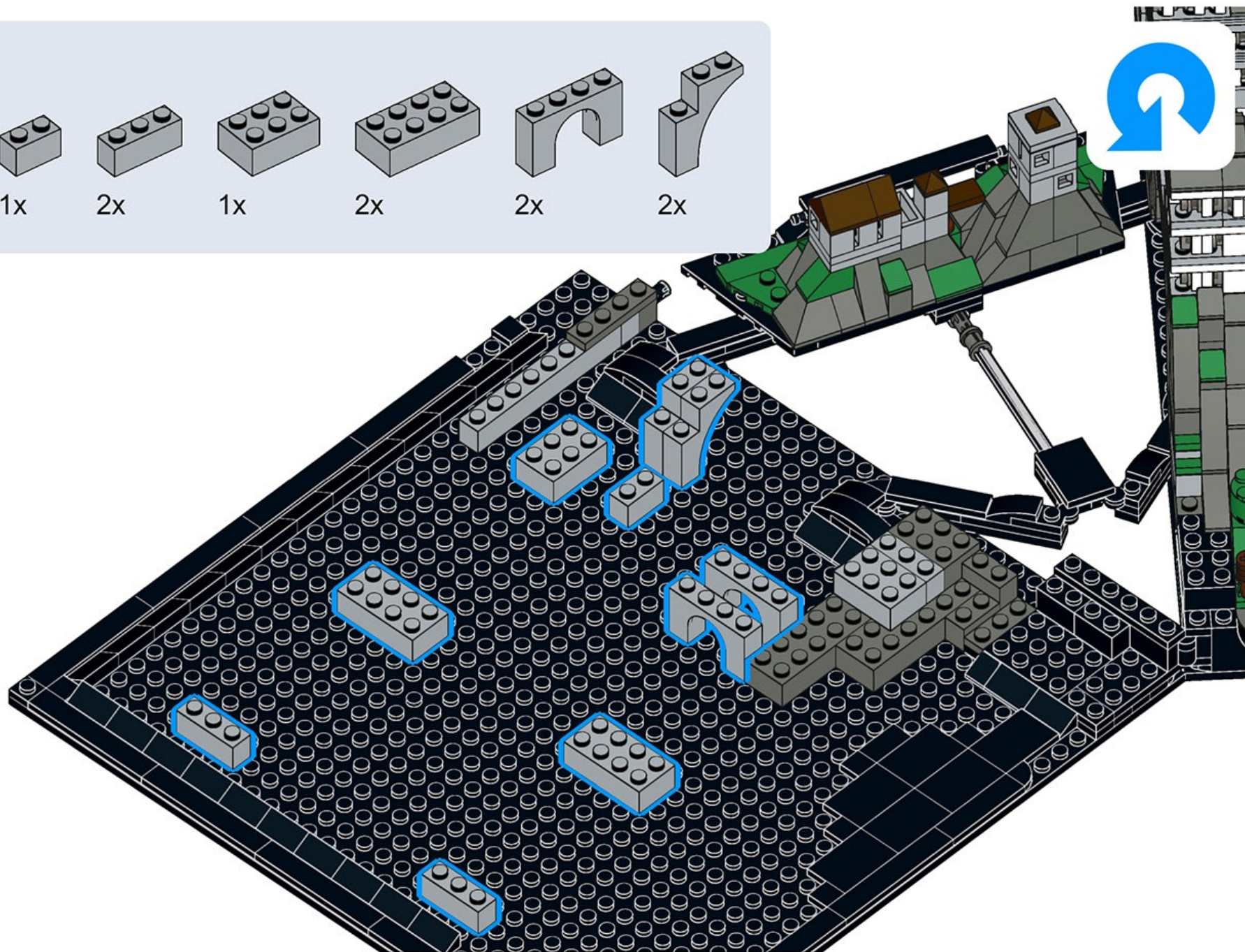
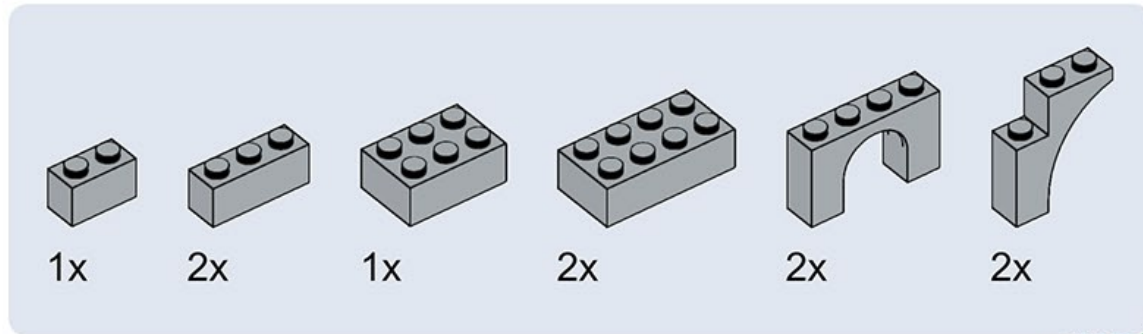
666



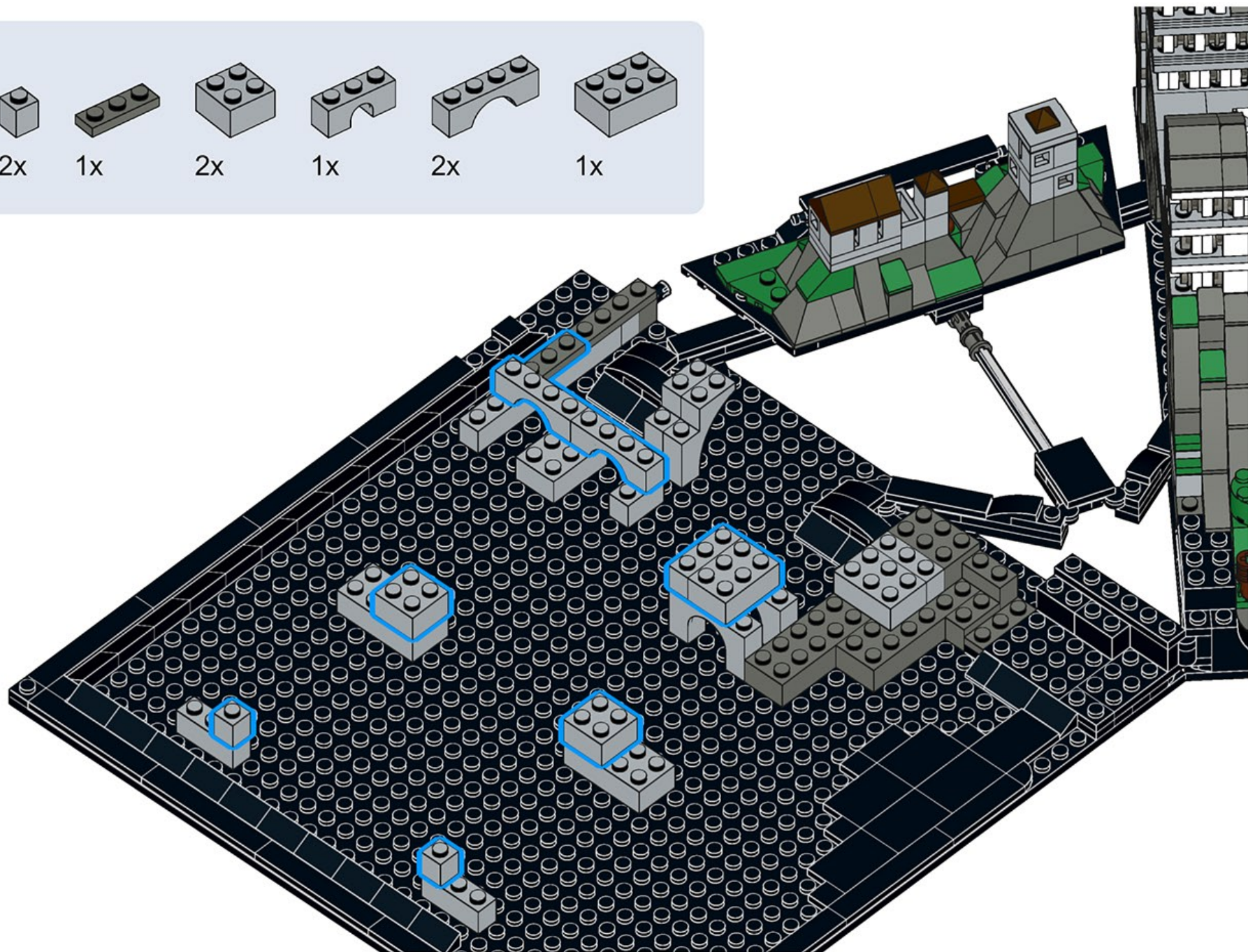
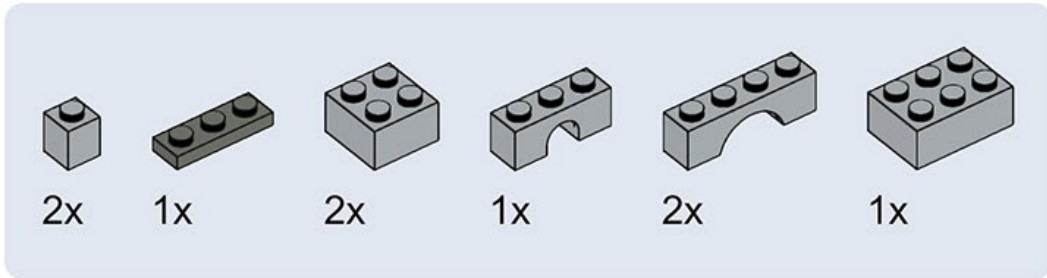
667



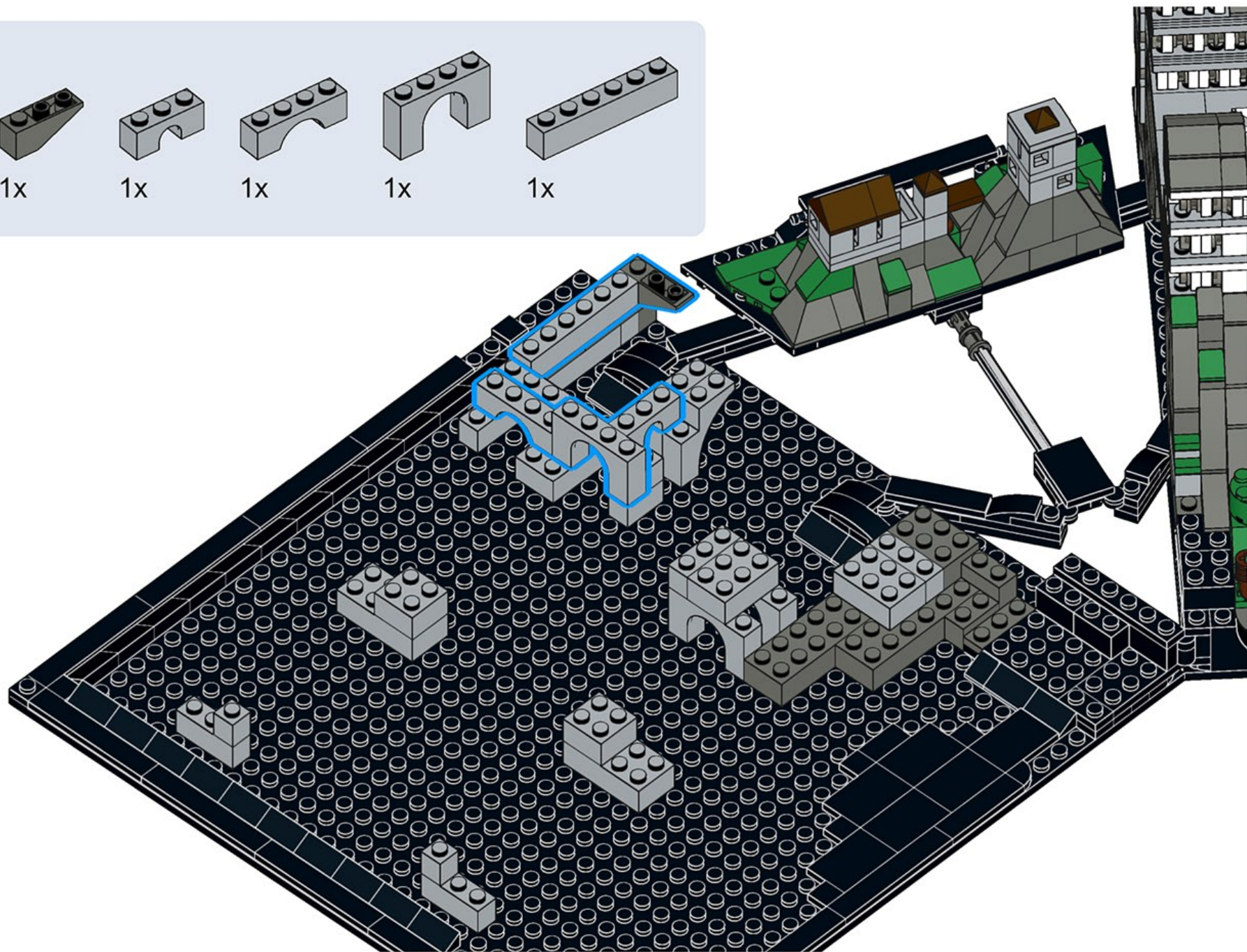
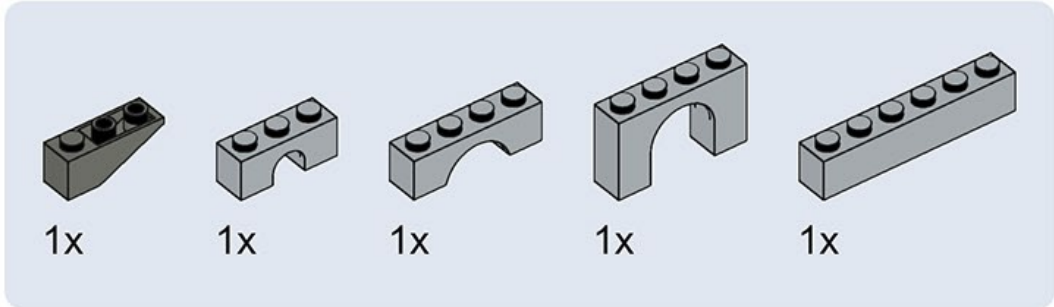
668



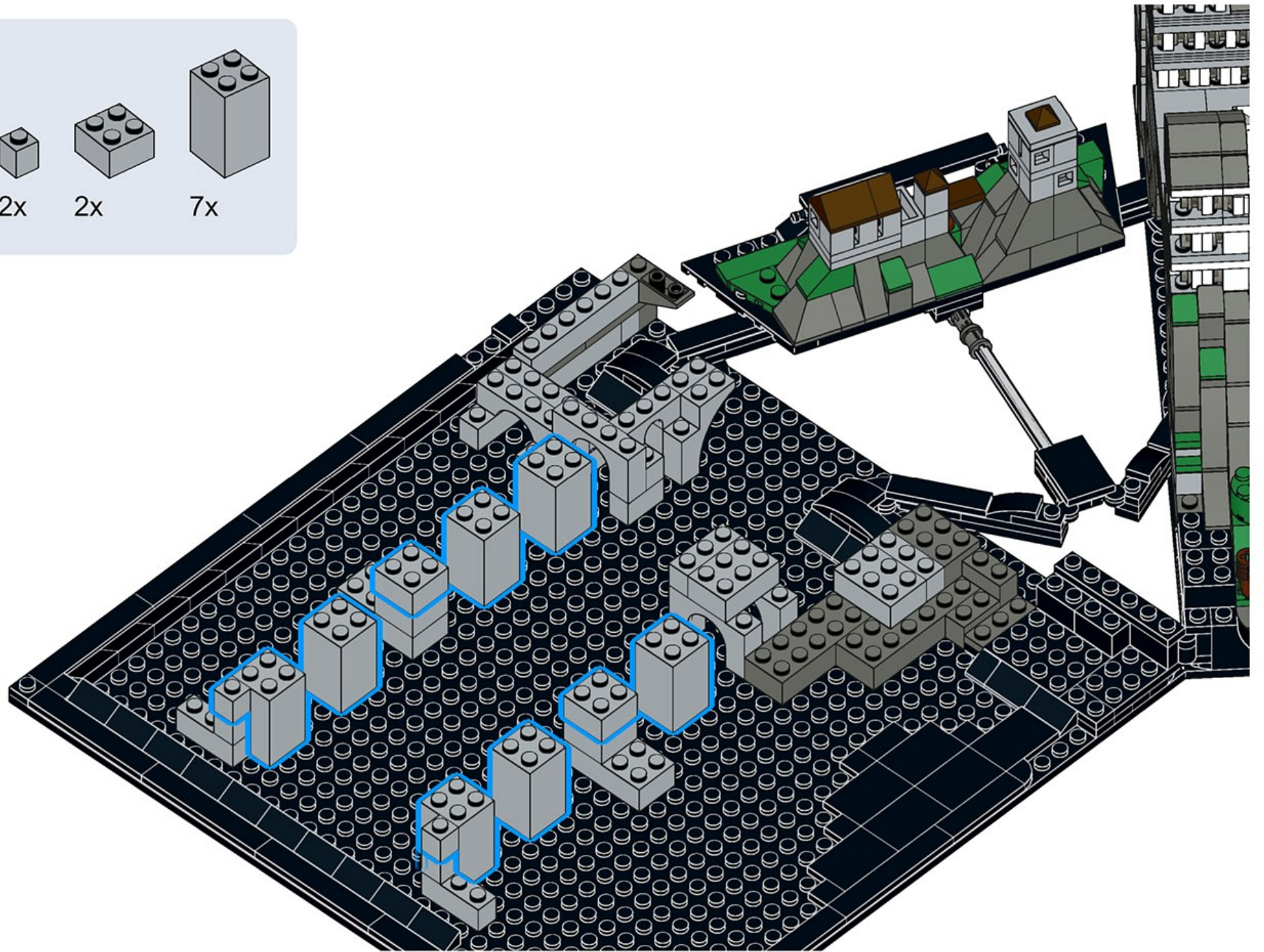
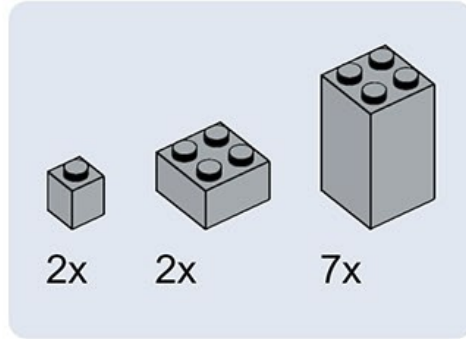
669



670



671



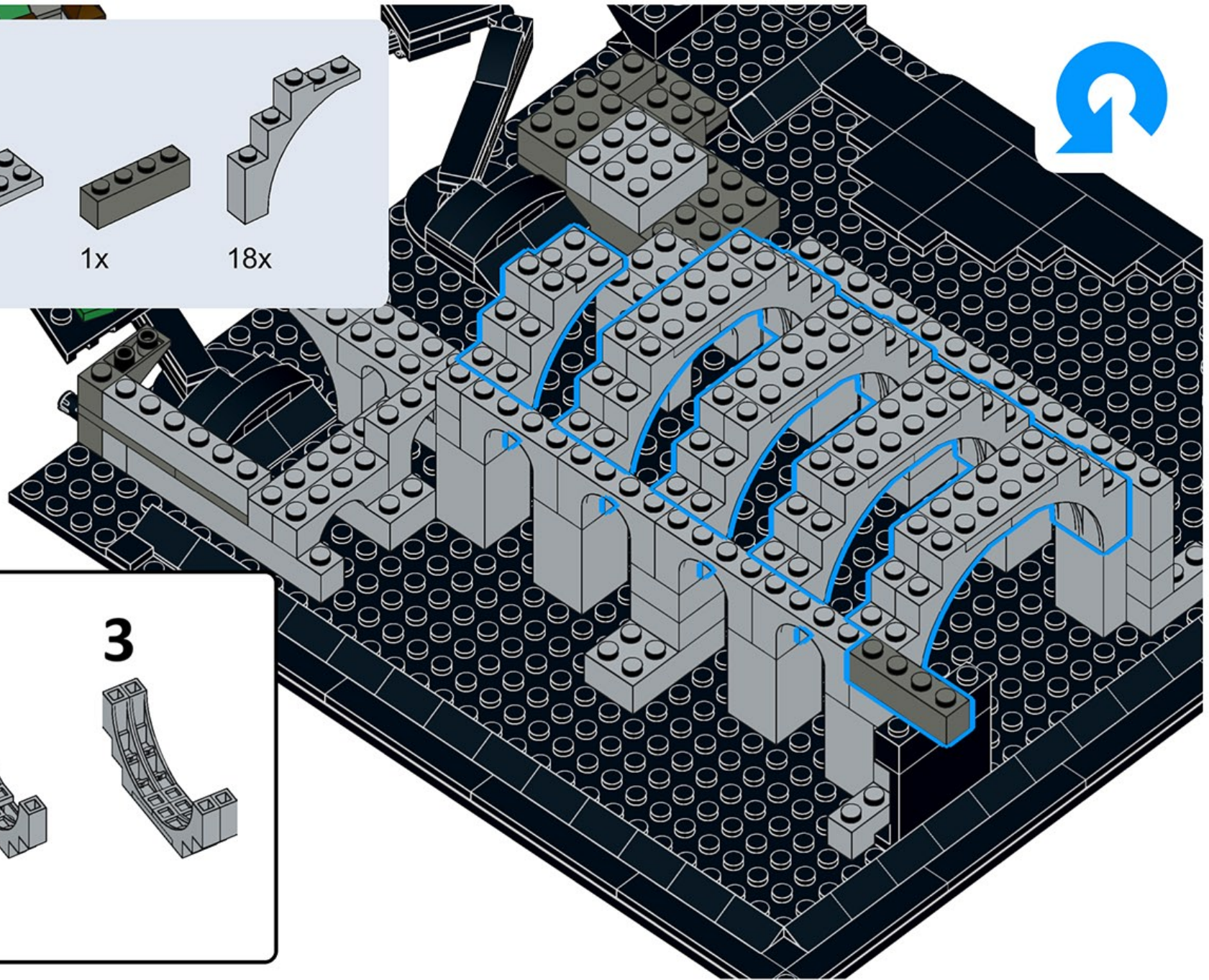
673



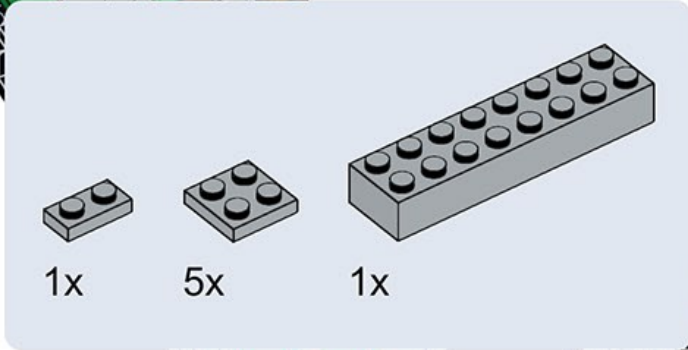
4x 1x 18x

1 **2** **3**

4x

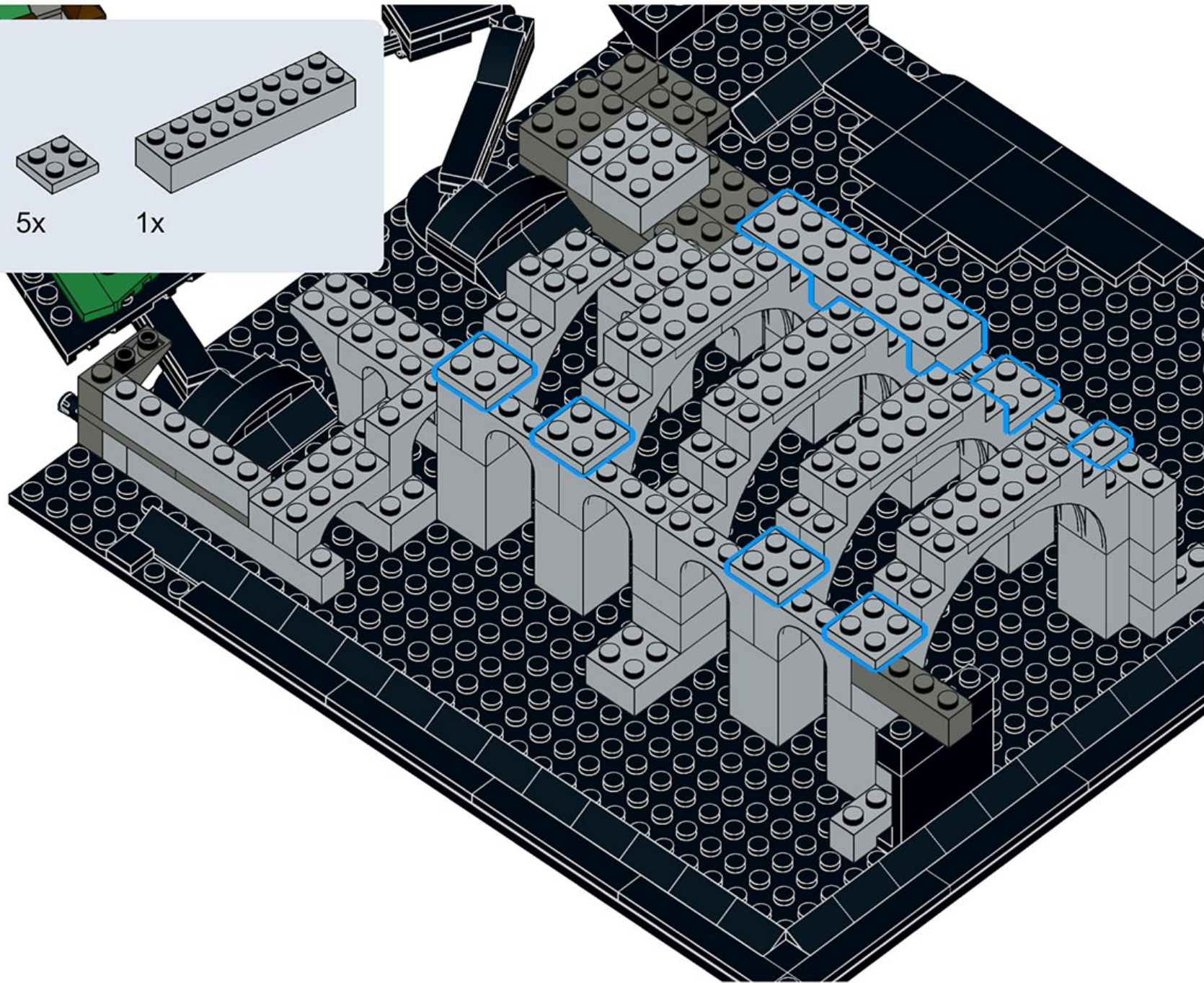


674



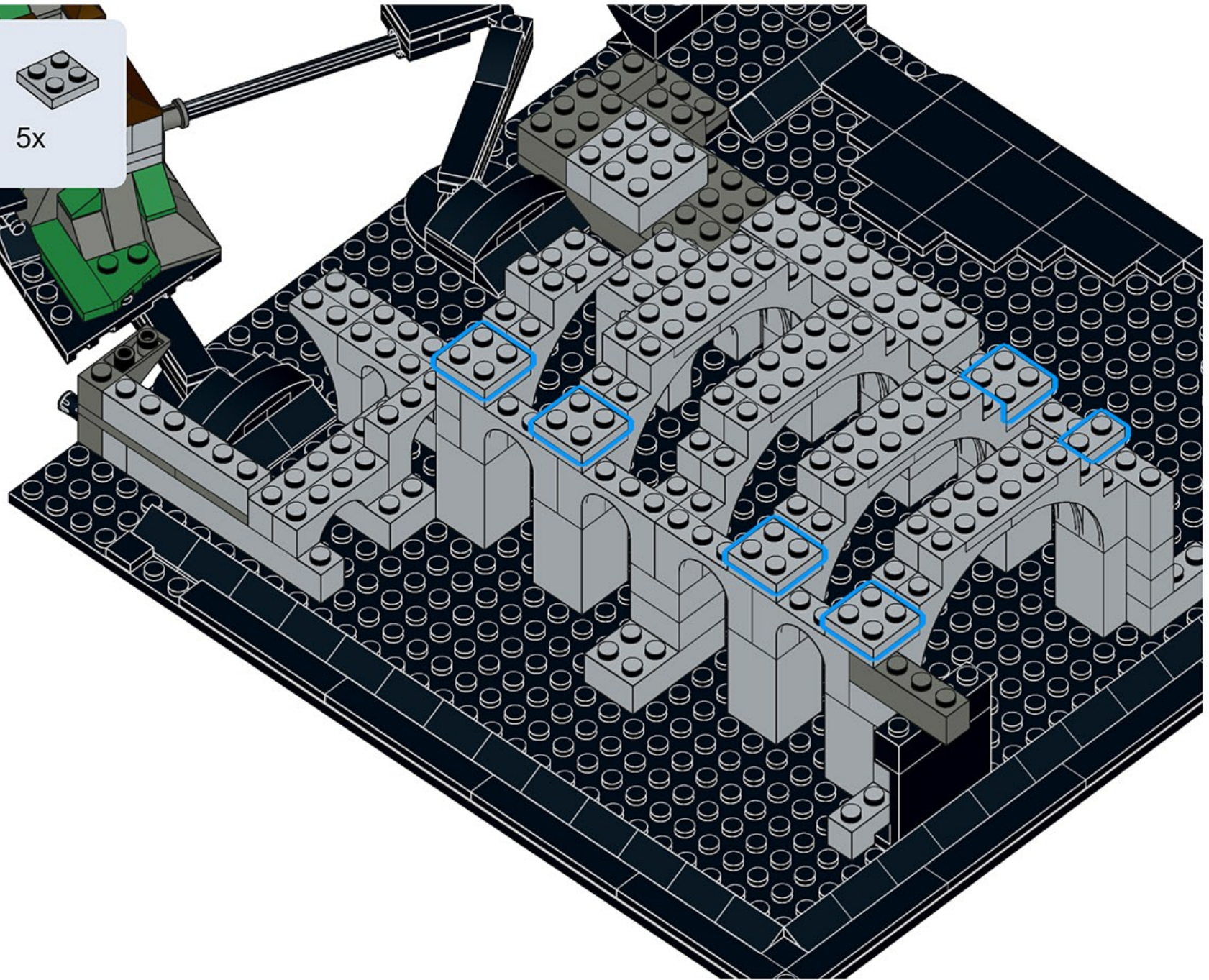
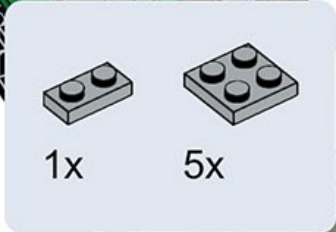
1x 1x 5x 1x

This inset box shows the parts list for step 674. It contains three items: a 1x2 grey Technic brick with two holes, a 1x5 grey Technic brick with five holes, and a 1x10 grey Technic brick with ten holes. Below each item is its quantity: 1x, 5x, and 1x respectively.

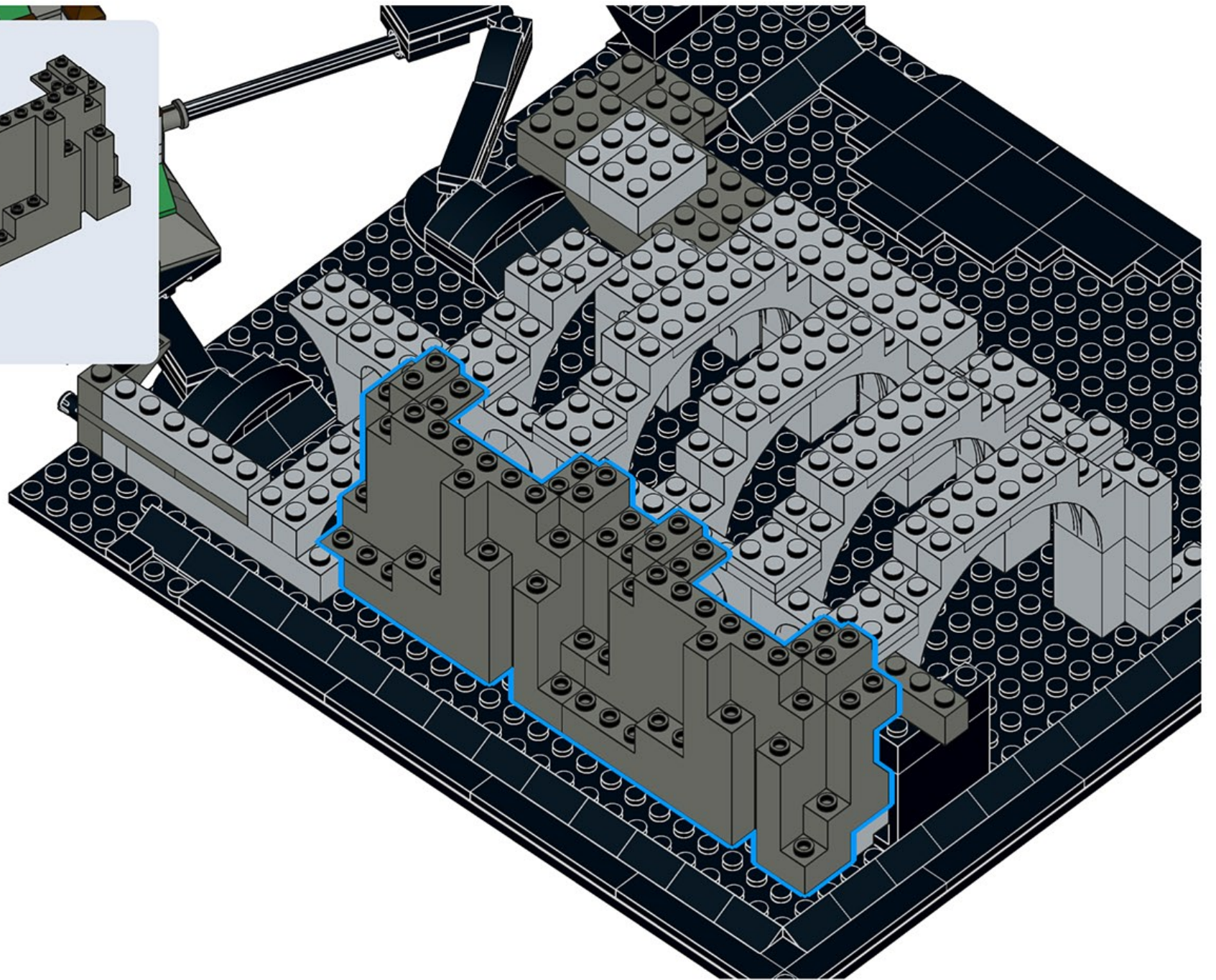
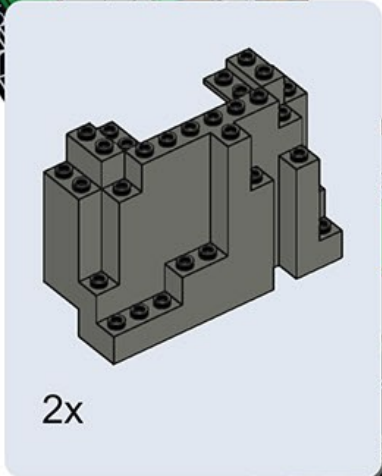


675

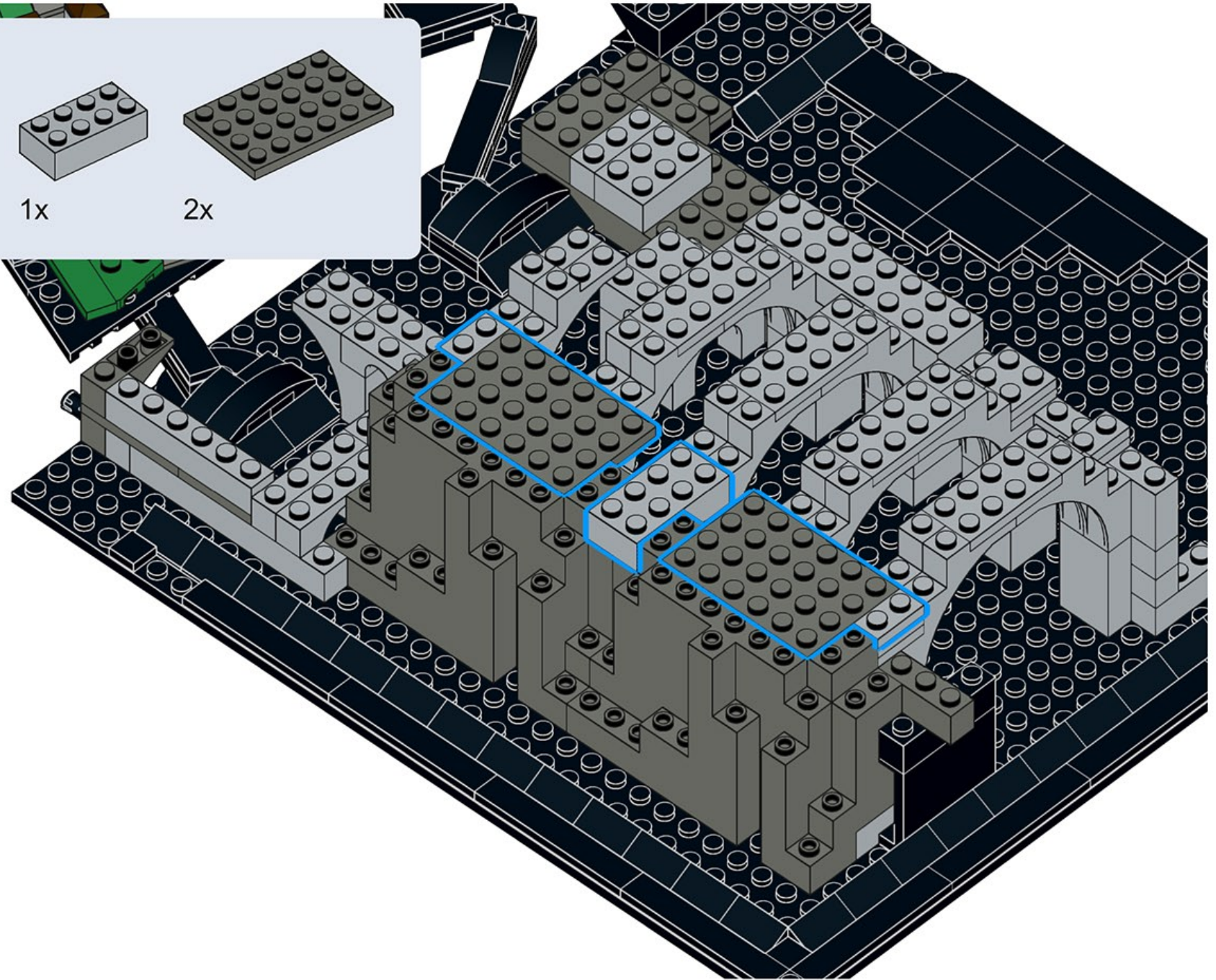
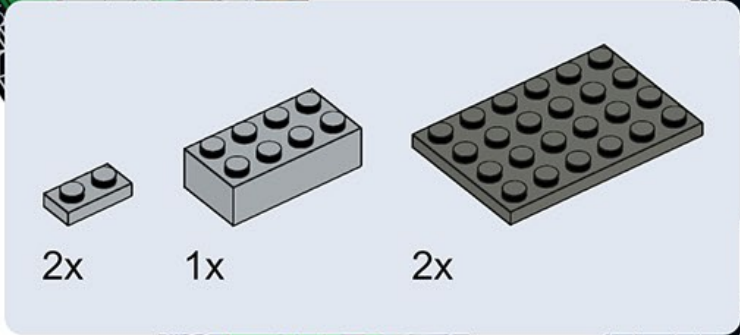
1x 5x



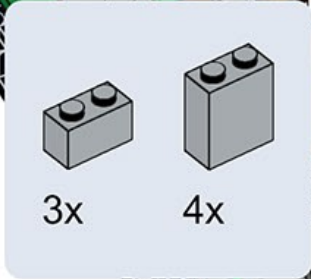
676





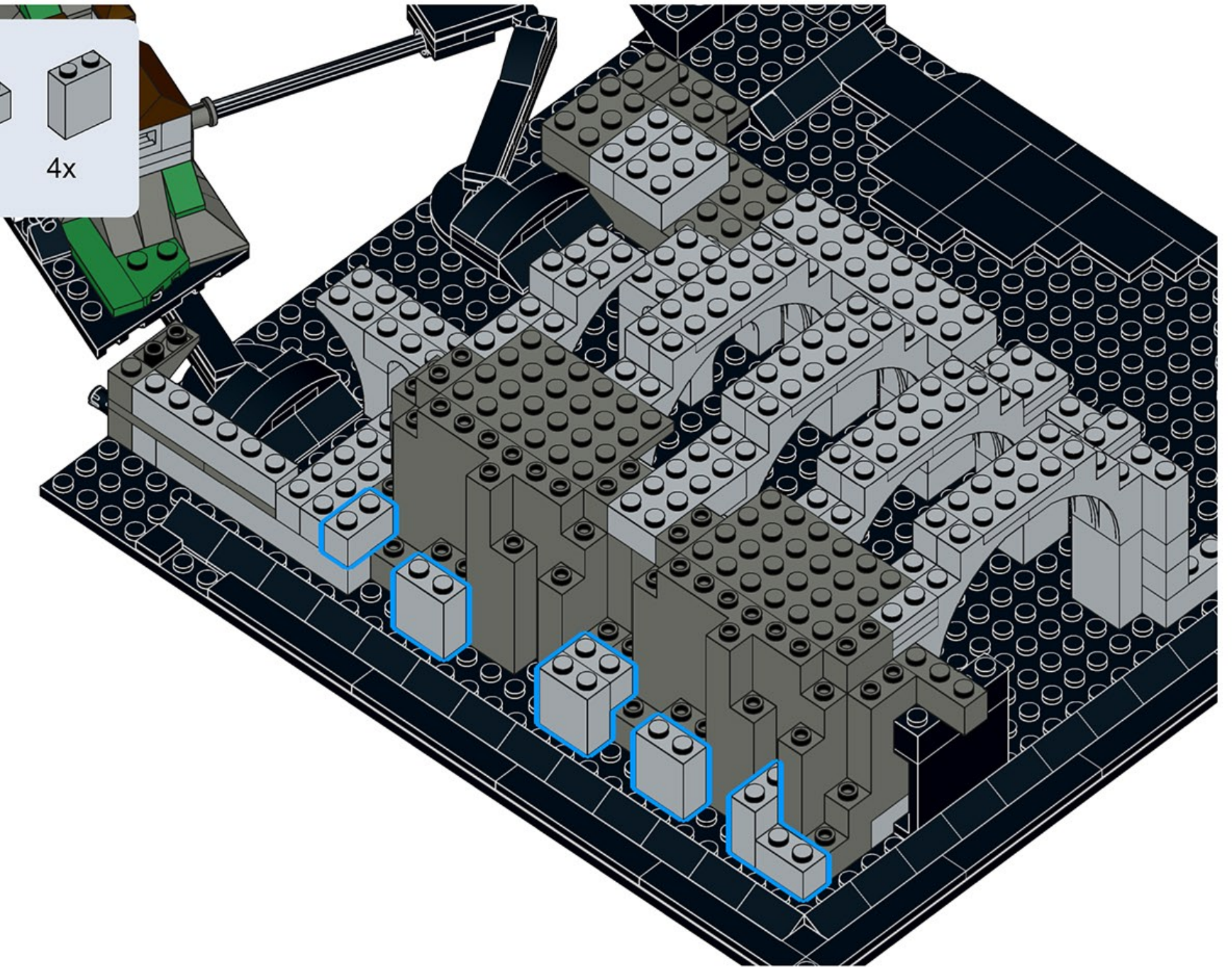
677



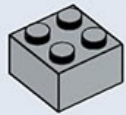
678



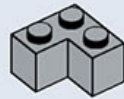
3x  4x 



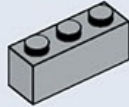
679



2x



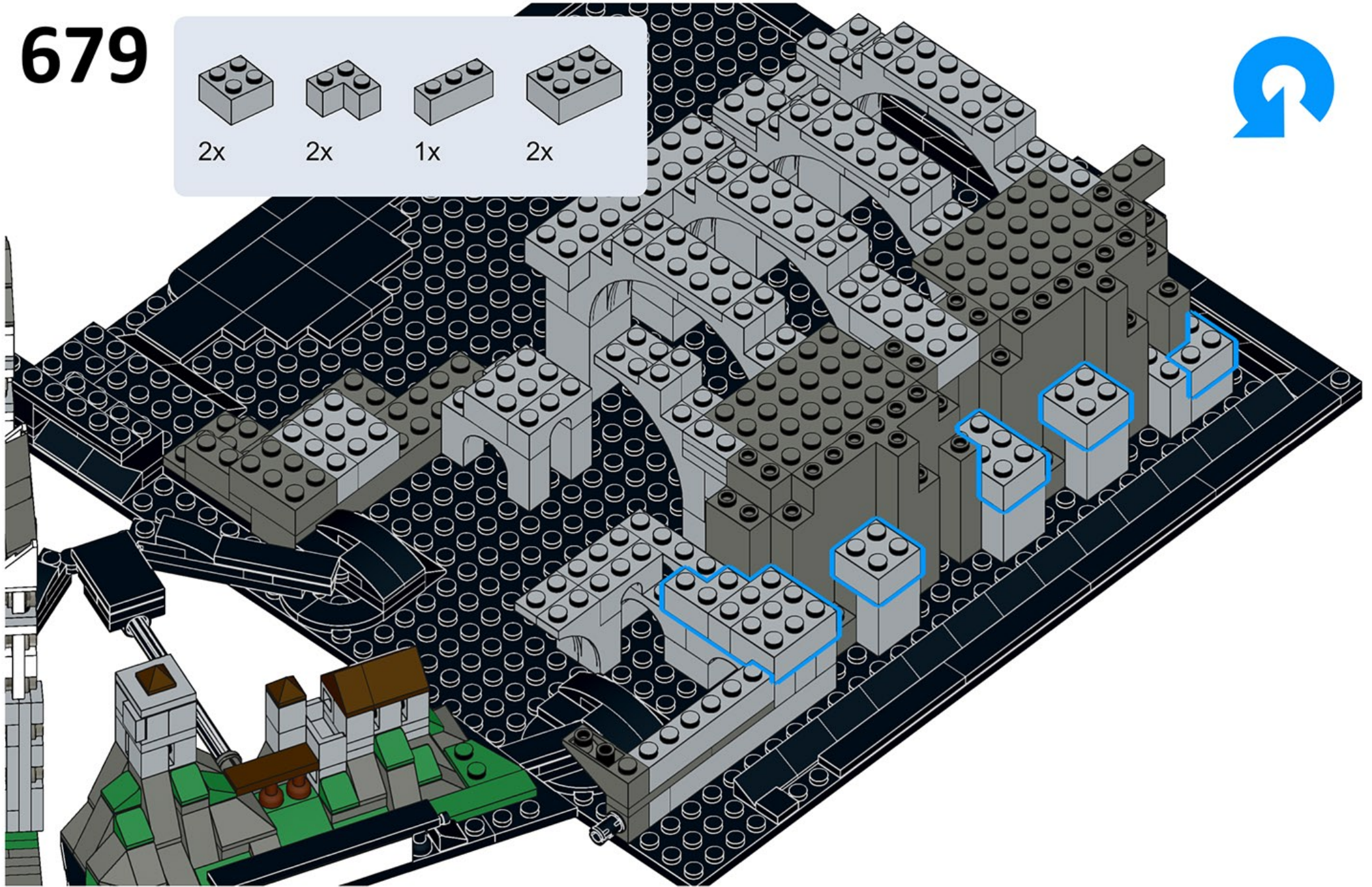
2x



1x



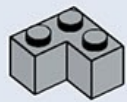
2x



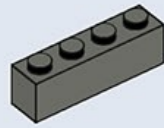
680



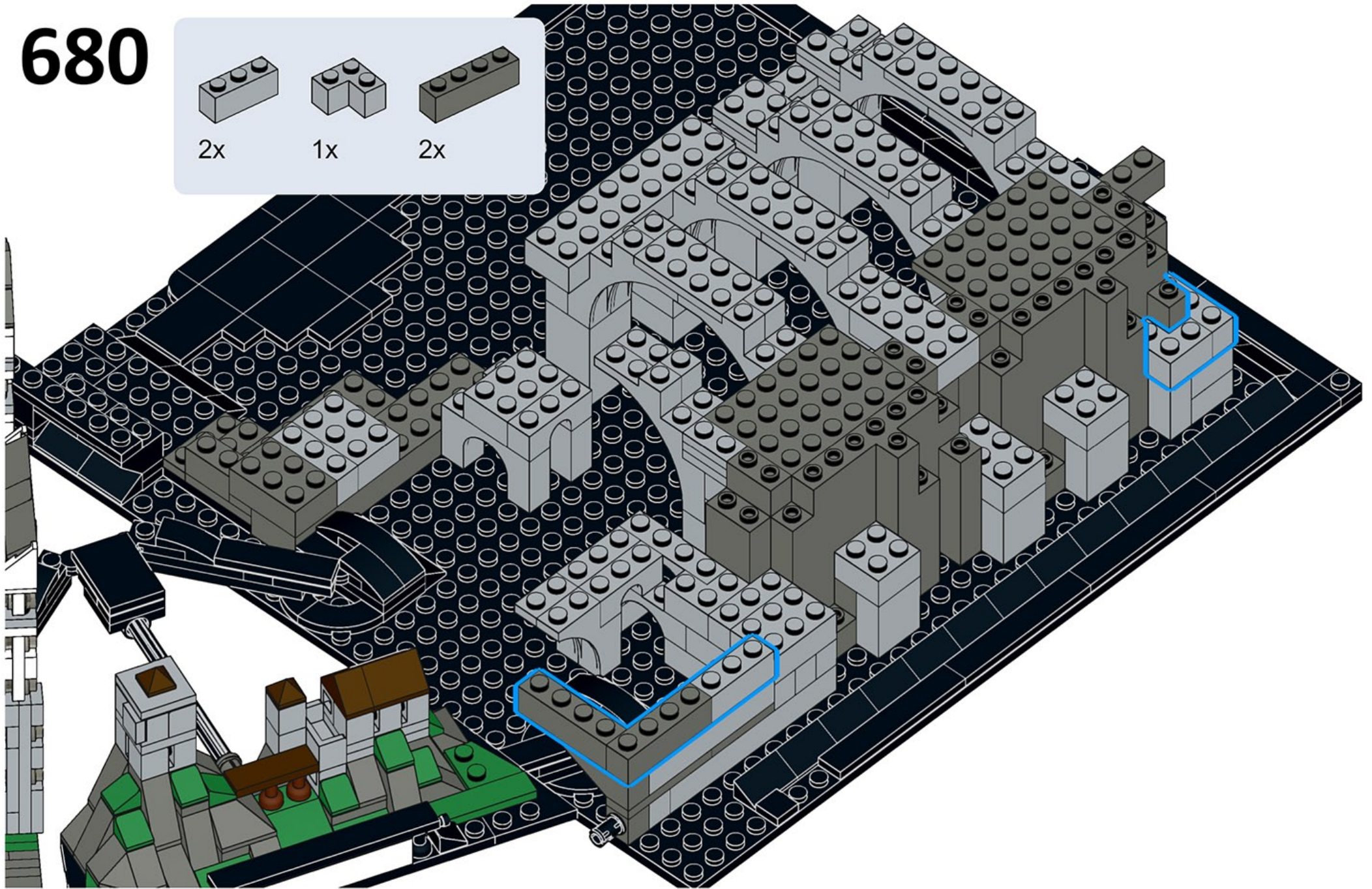
2x



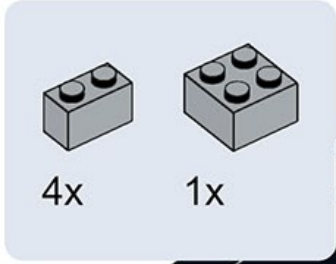
1x

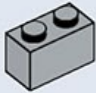
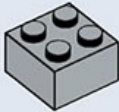


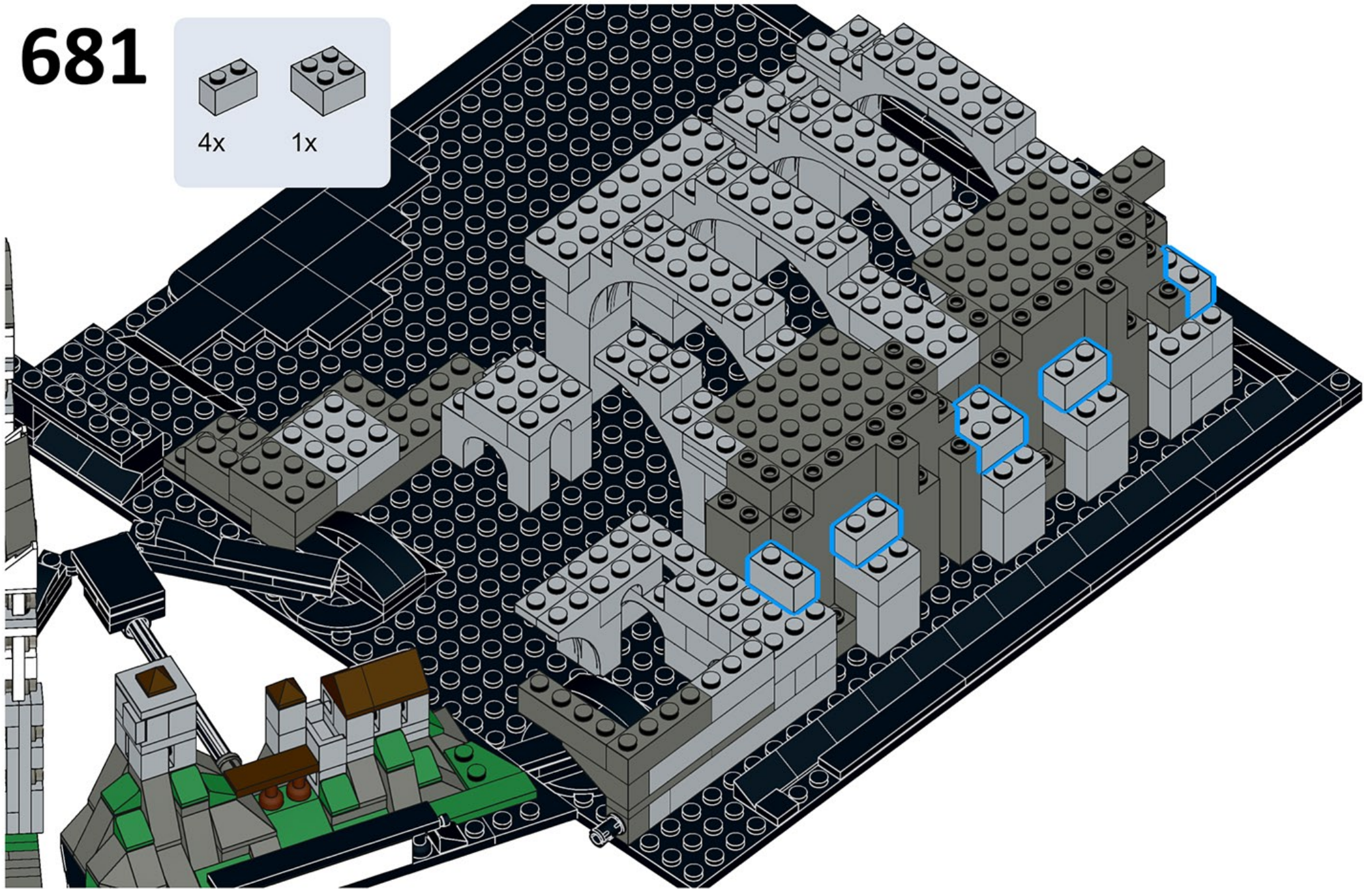
2x



681



4x  1x 



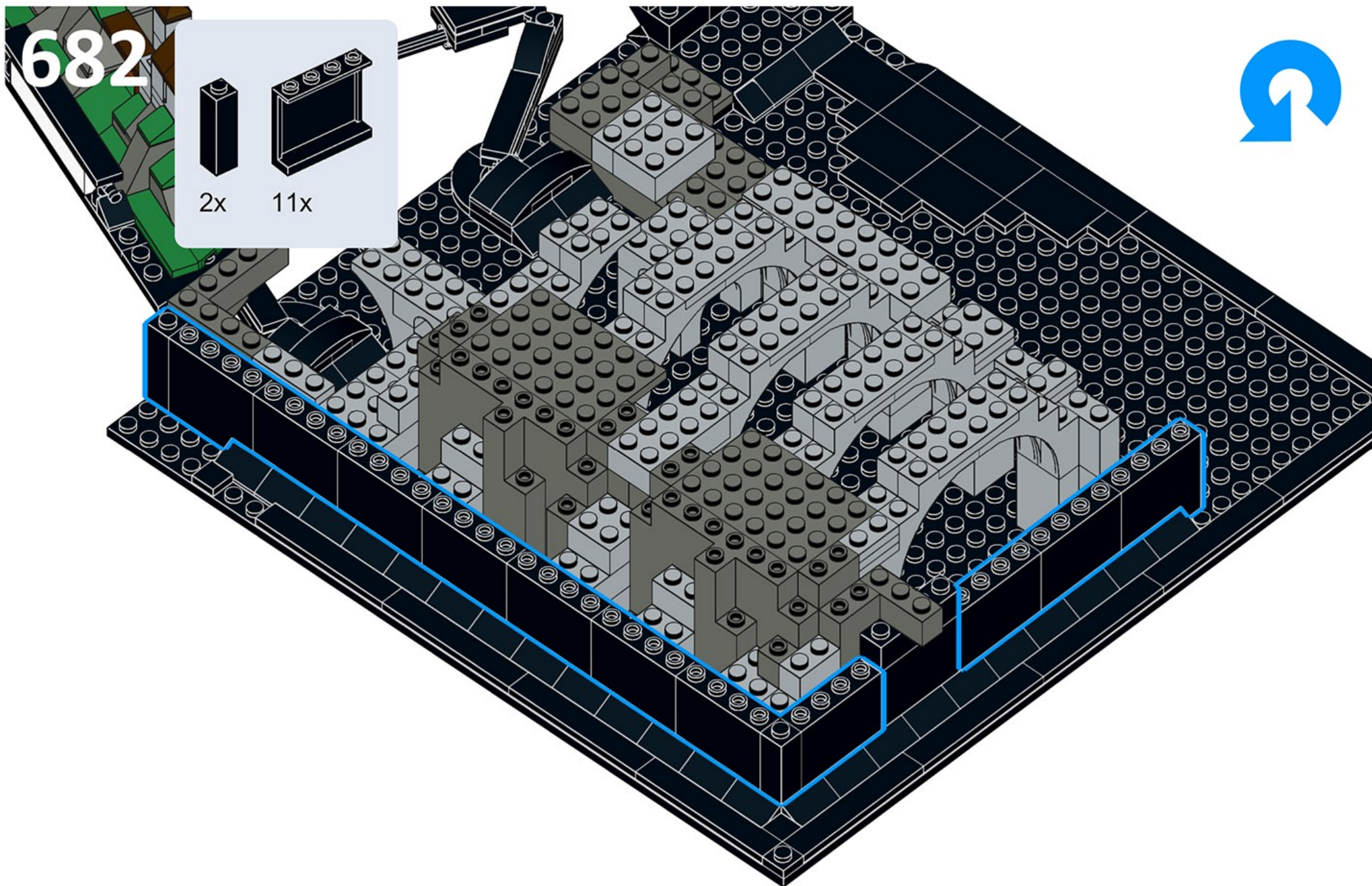
682



2x



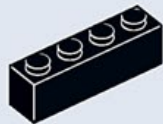
11x



683



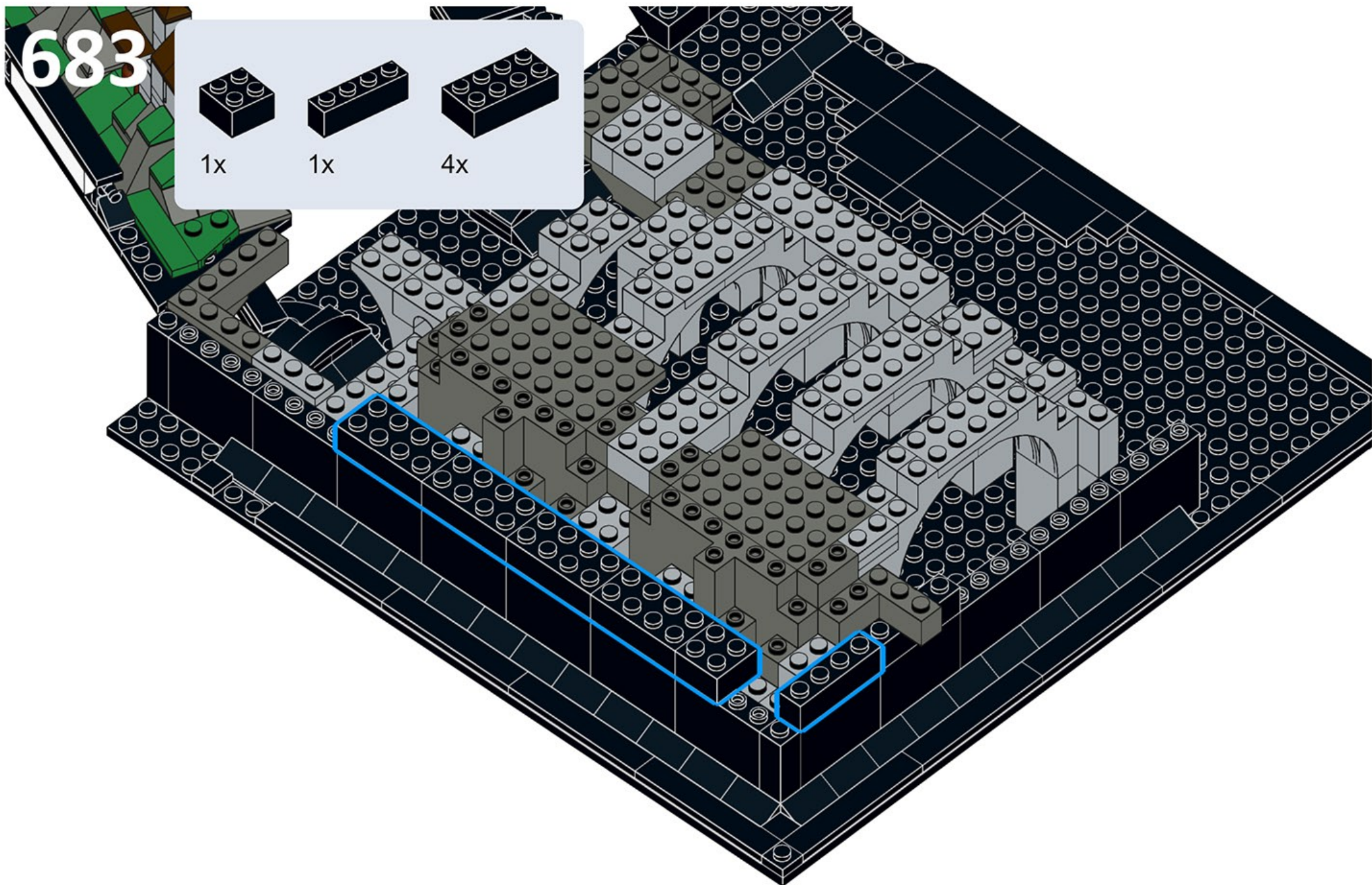
1x



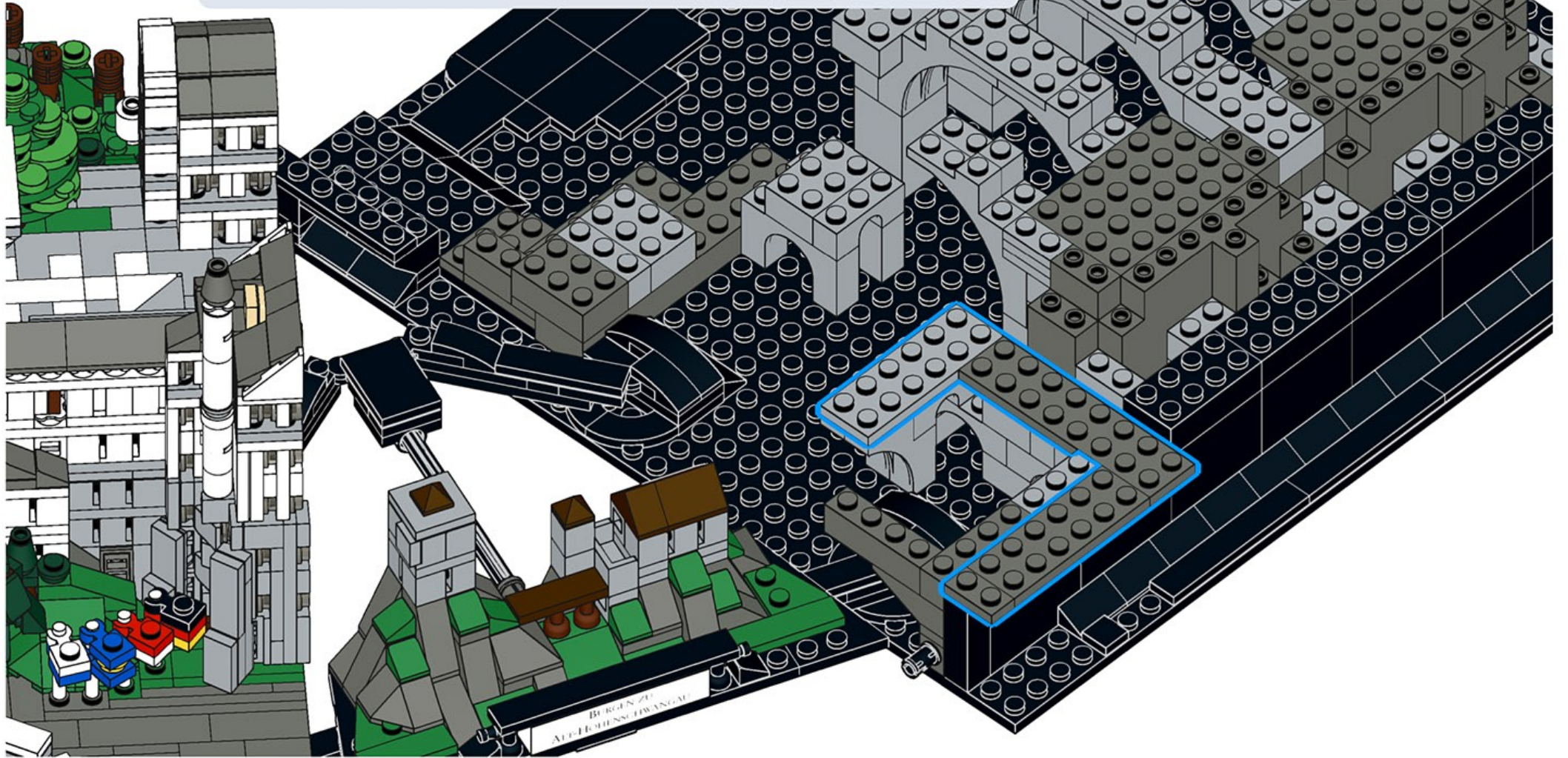
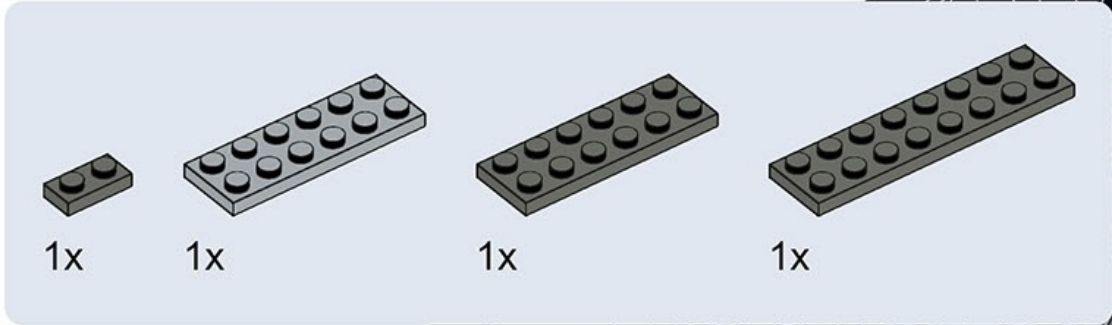
1x



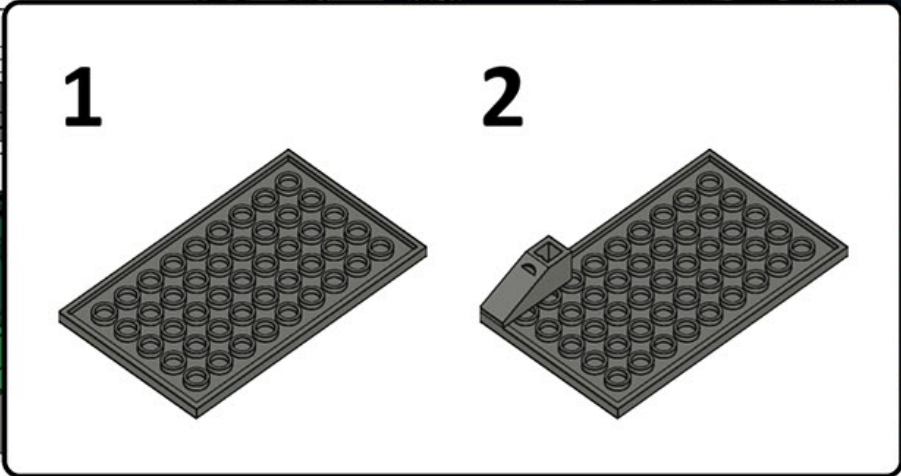
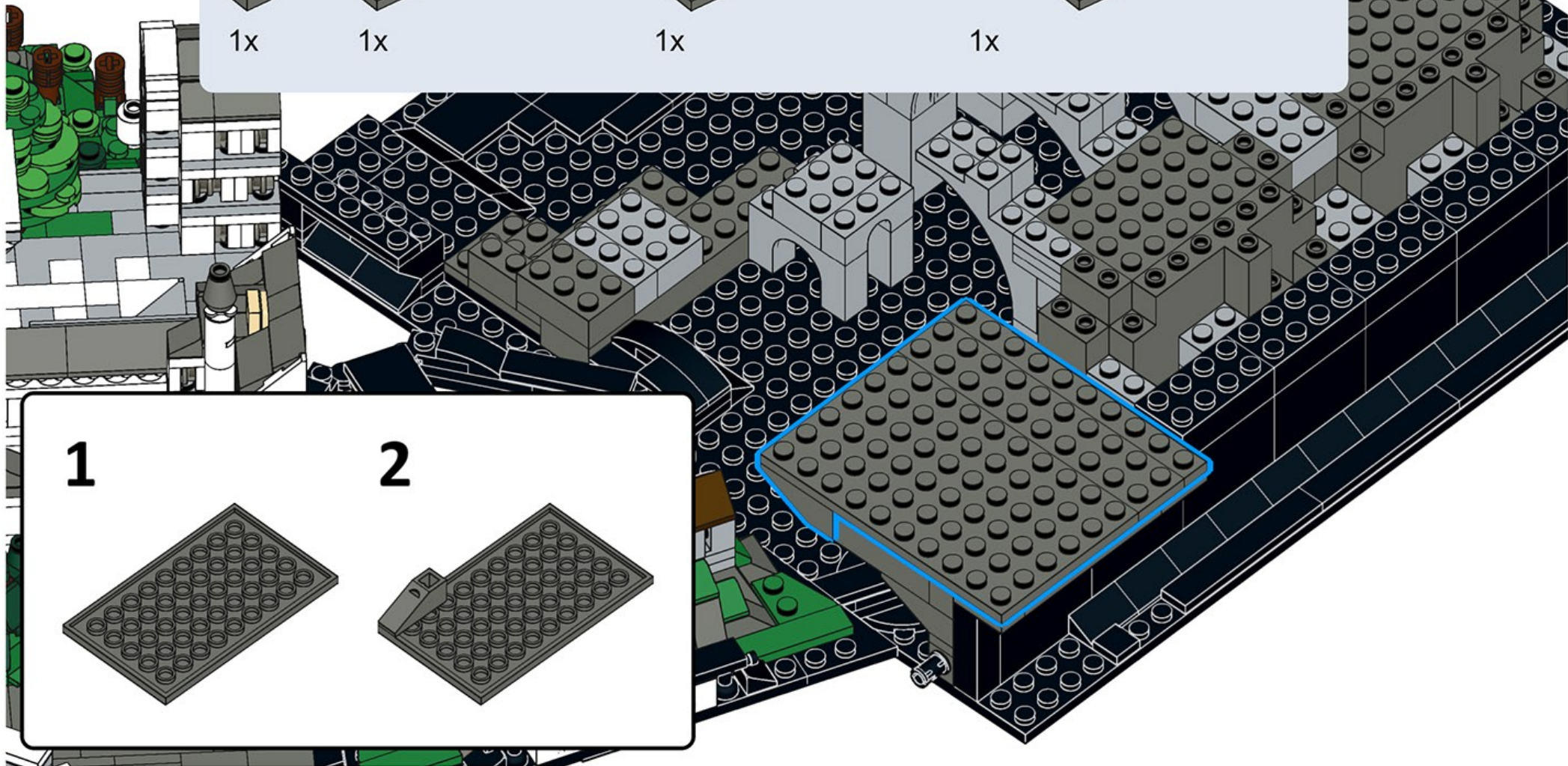
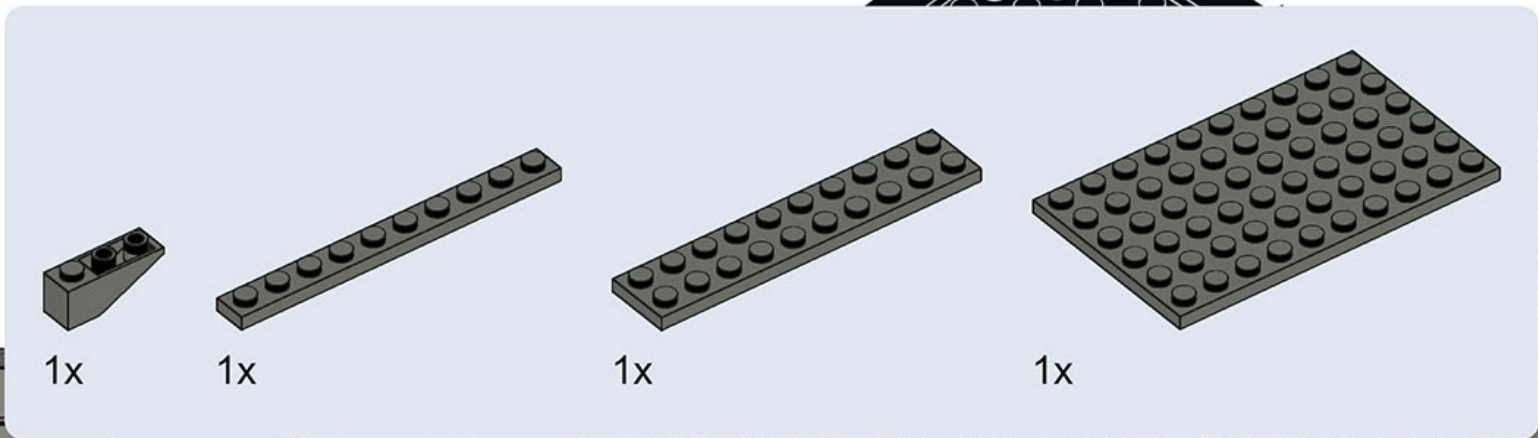
4x



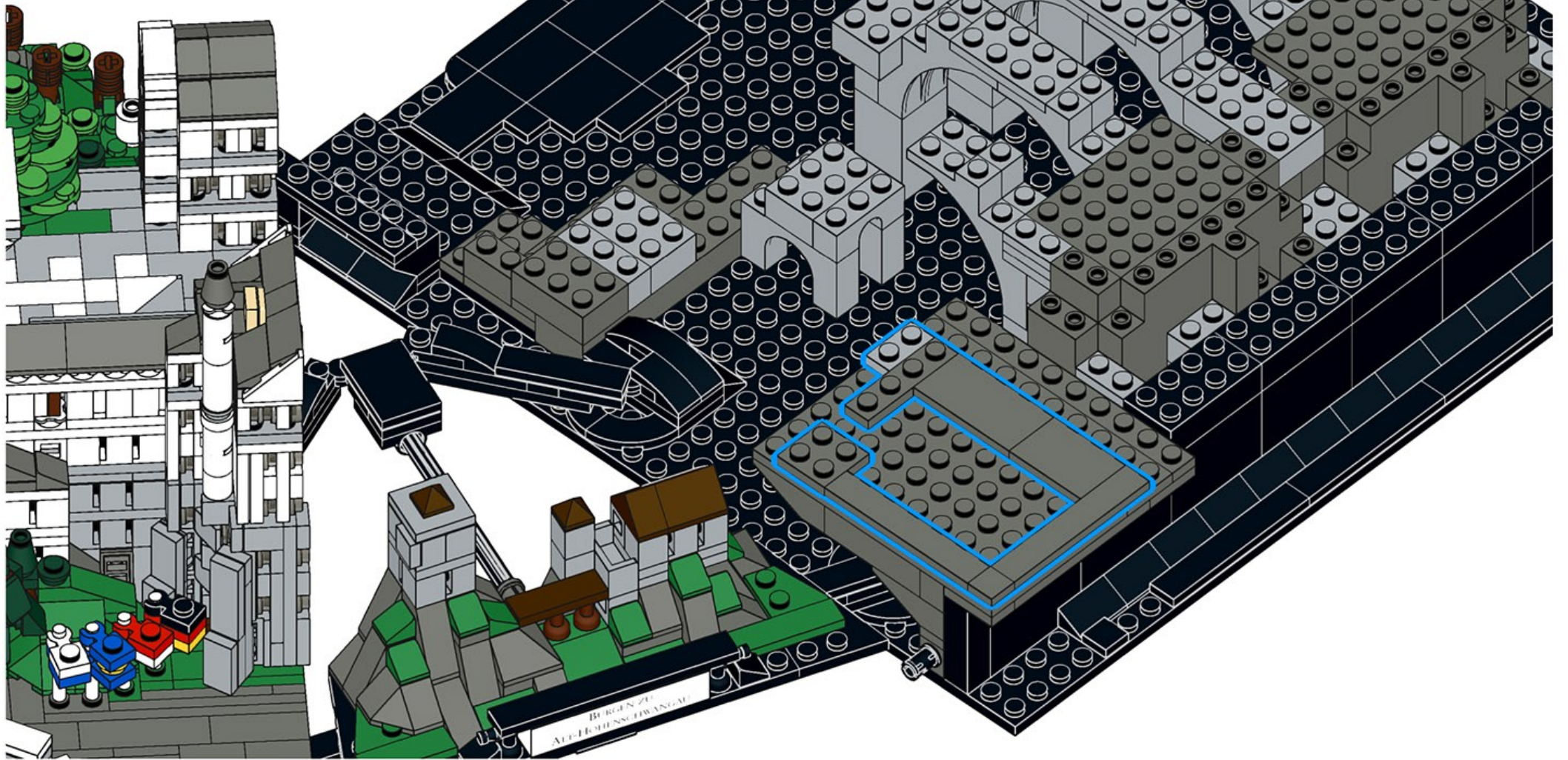
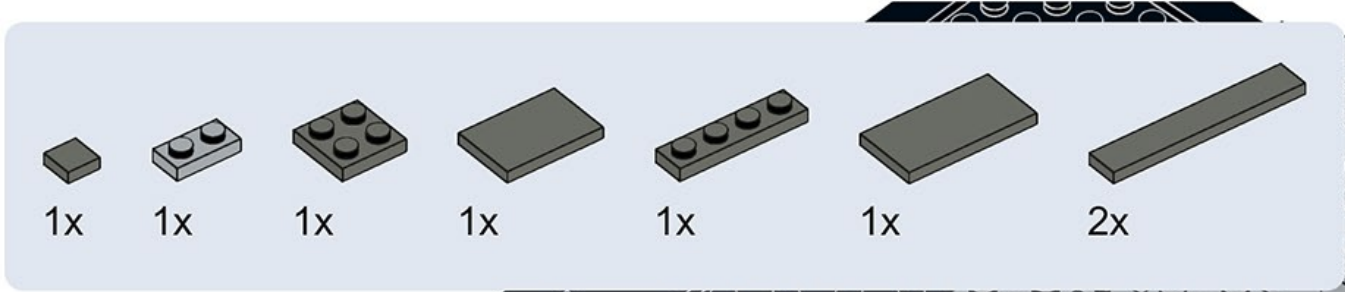
684



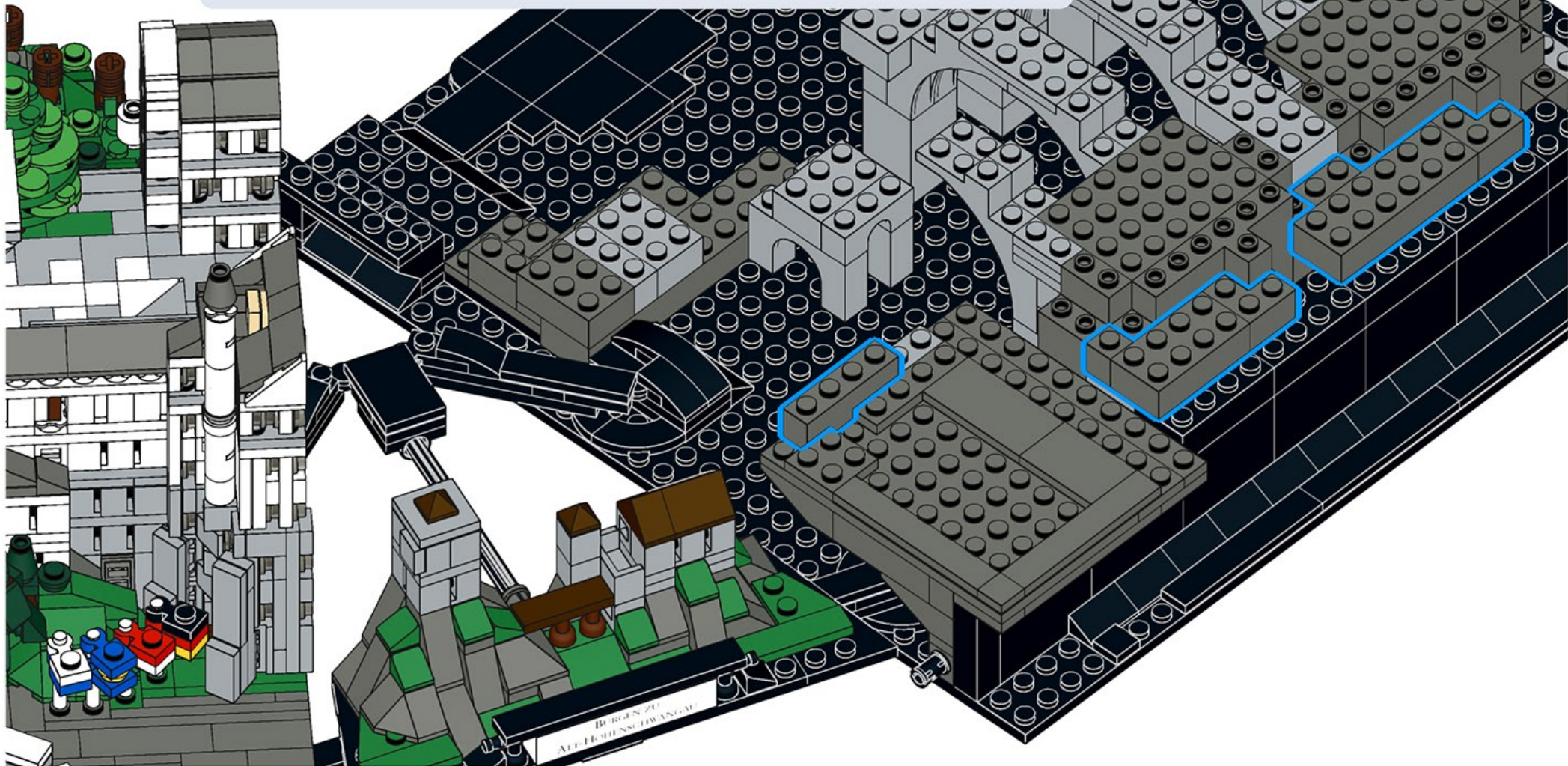
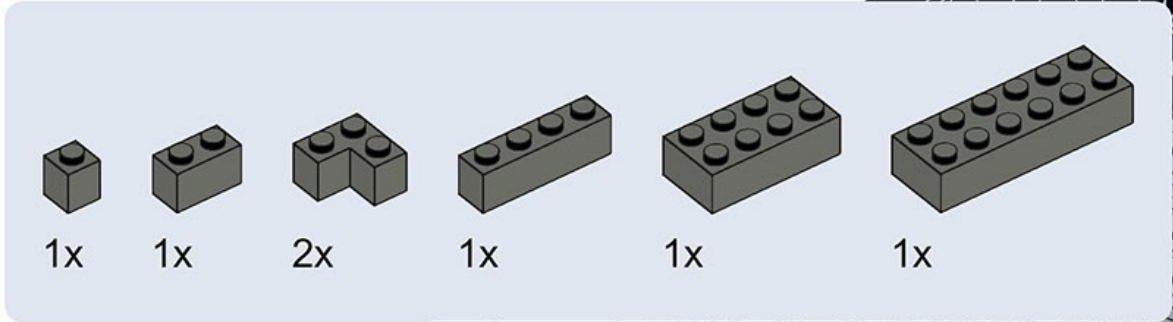
685



686



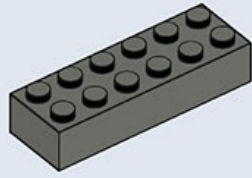
687



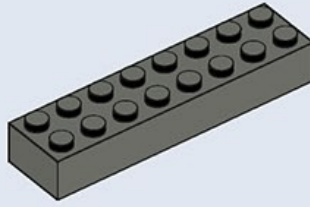
688



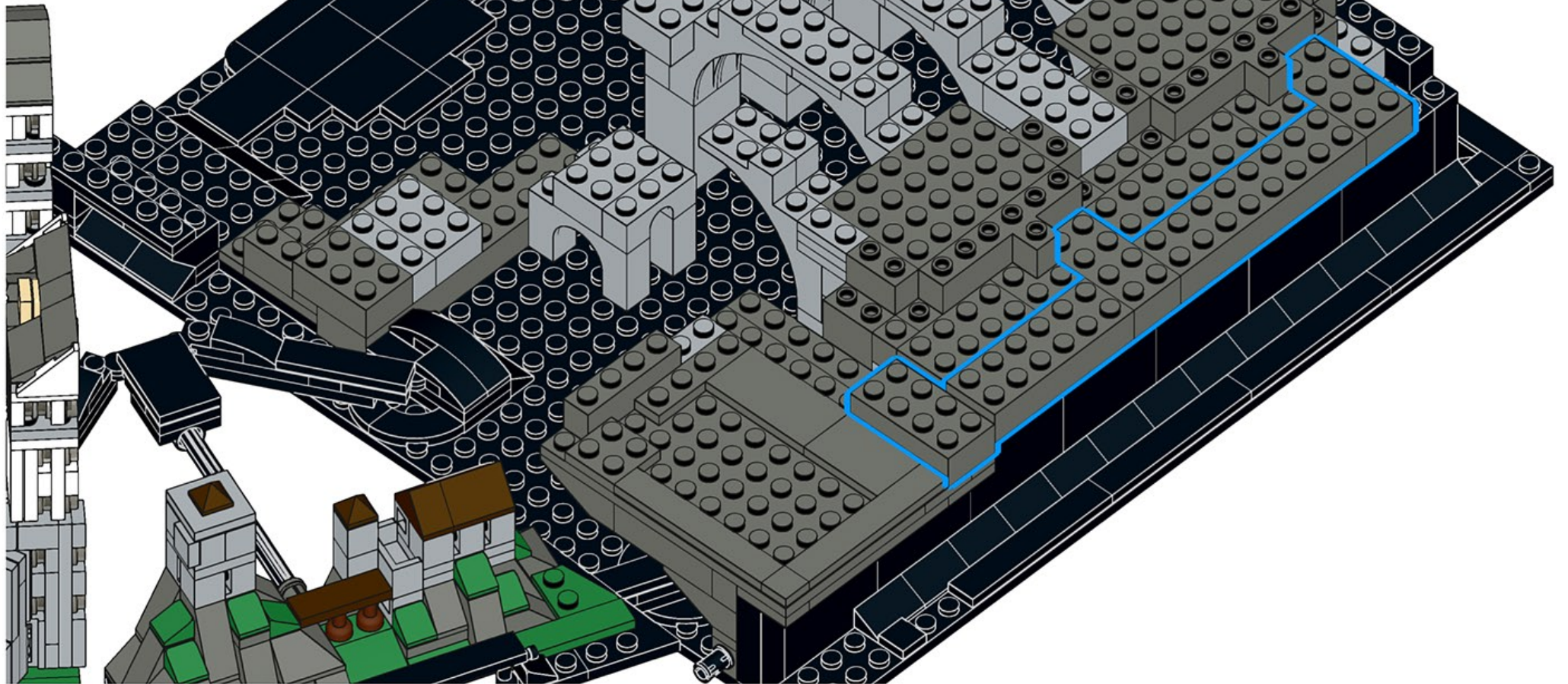
3x



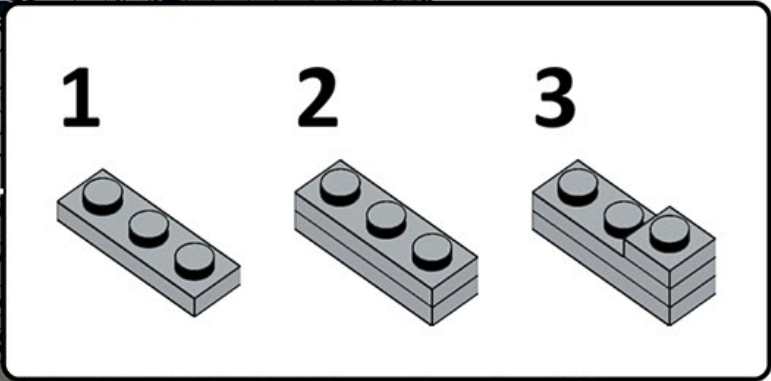
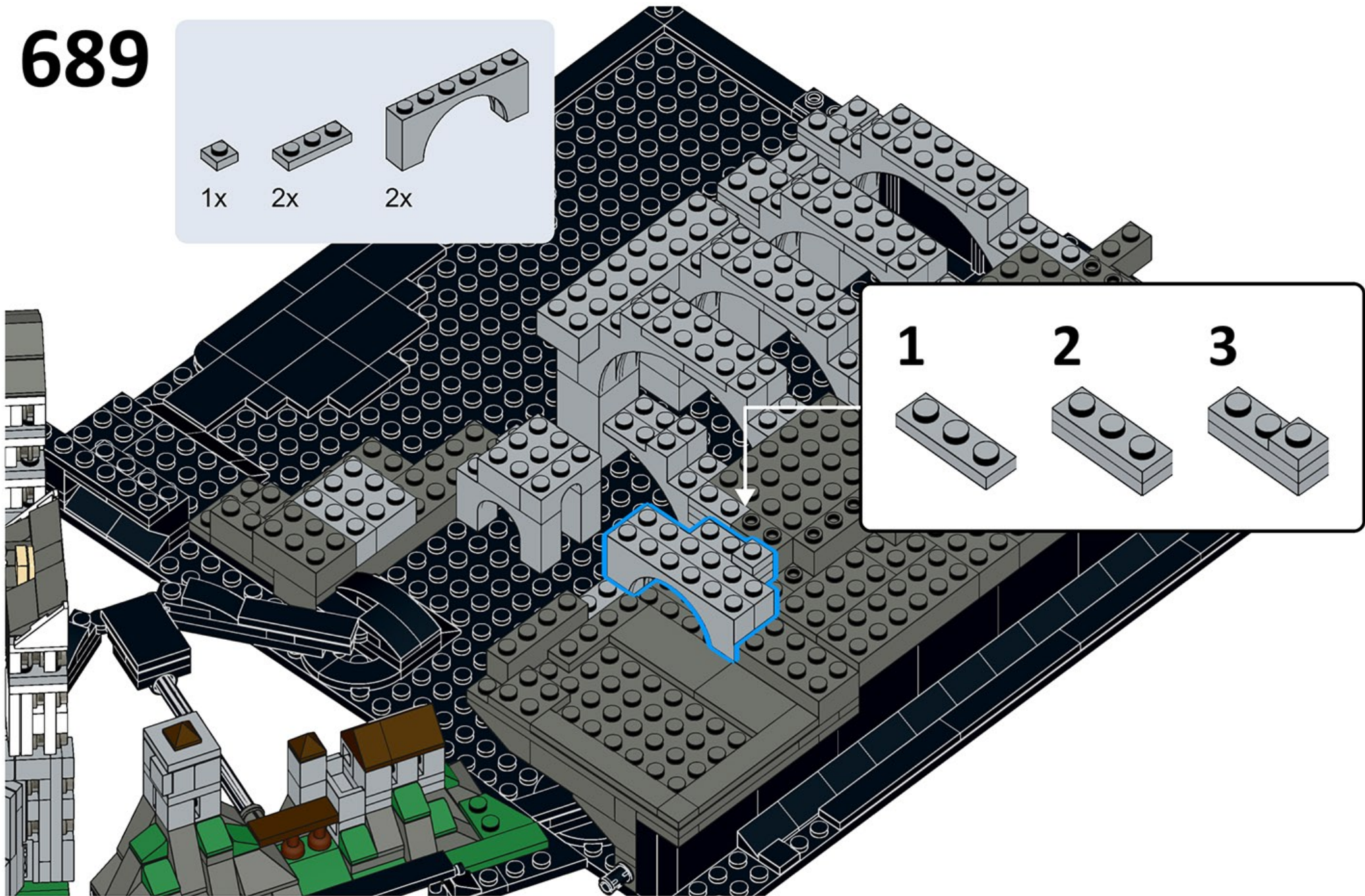
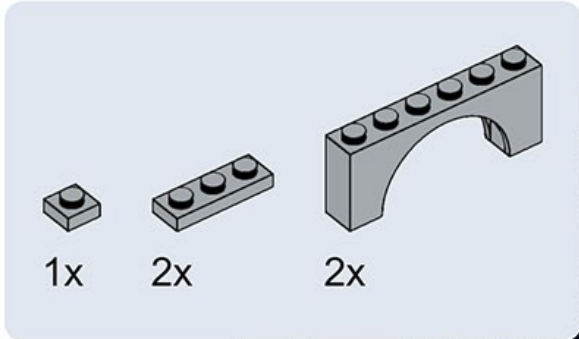
1x



1x

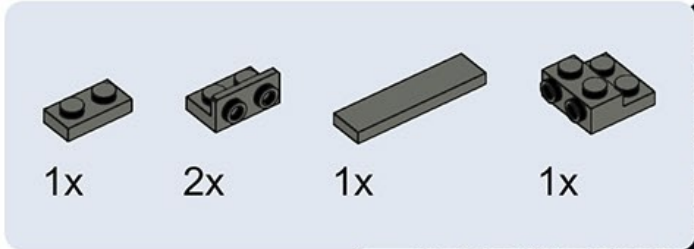


689

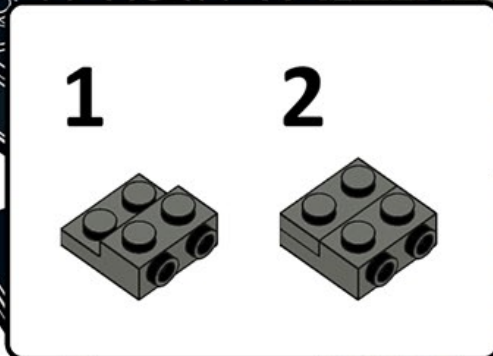


690

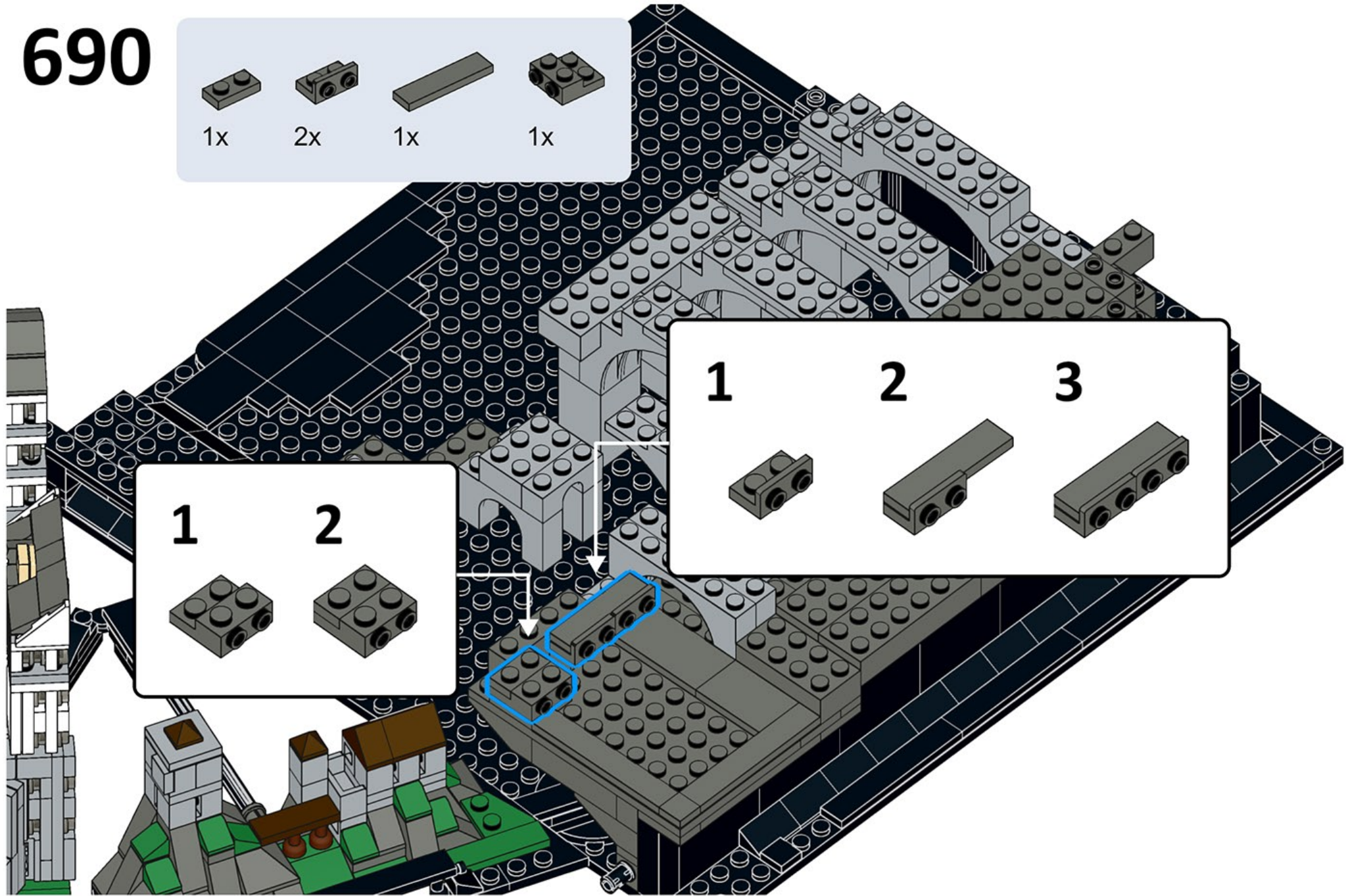
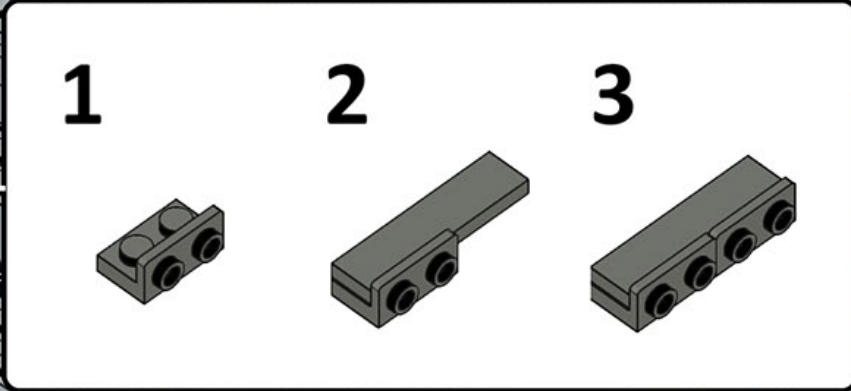
1x 2x 1x 1x



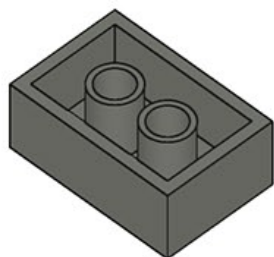
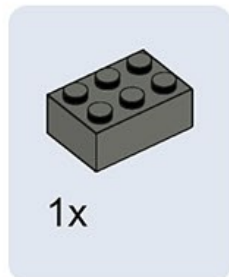
1 2



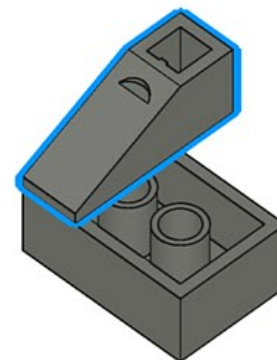
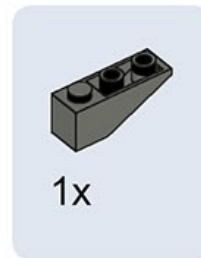
1 2 3



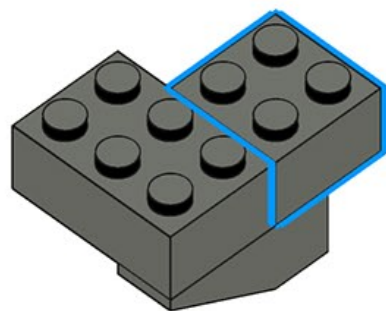
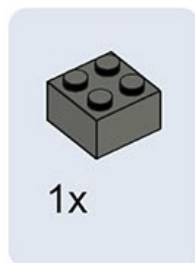
691



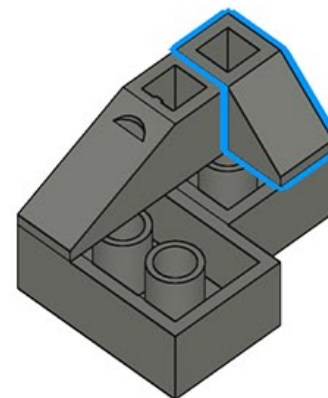
692



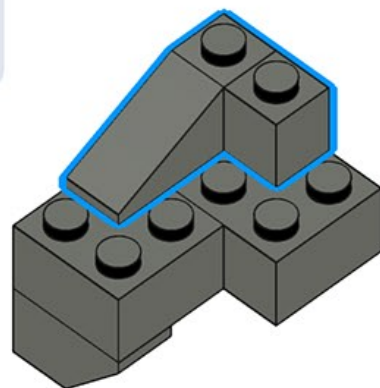
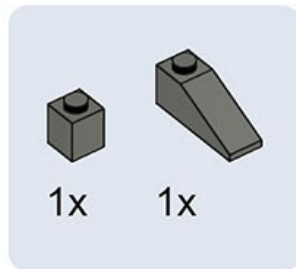
693



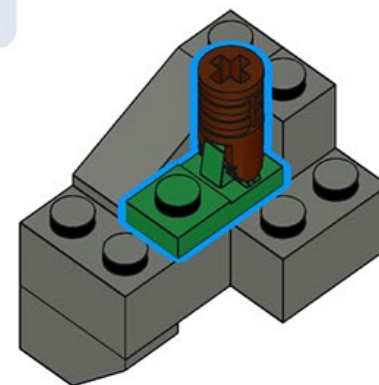
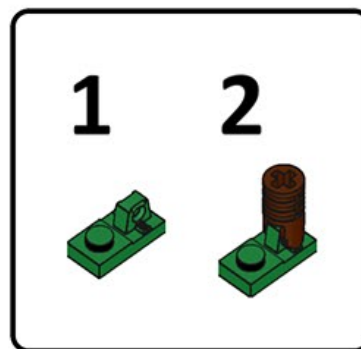
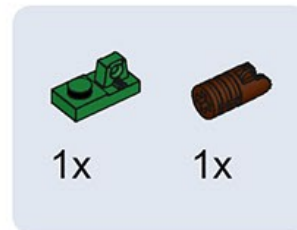
694



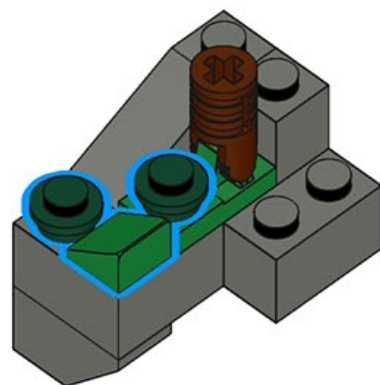
695



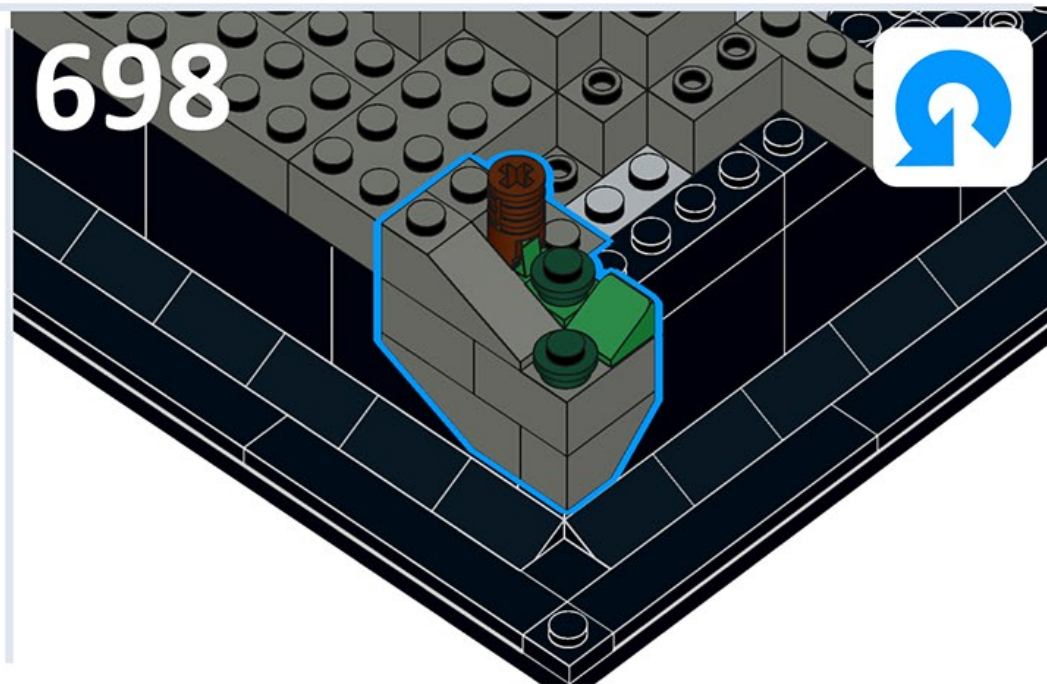
696



697



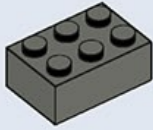
698



699



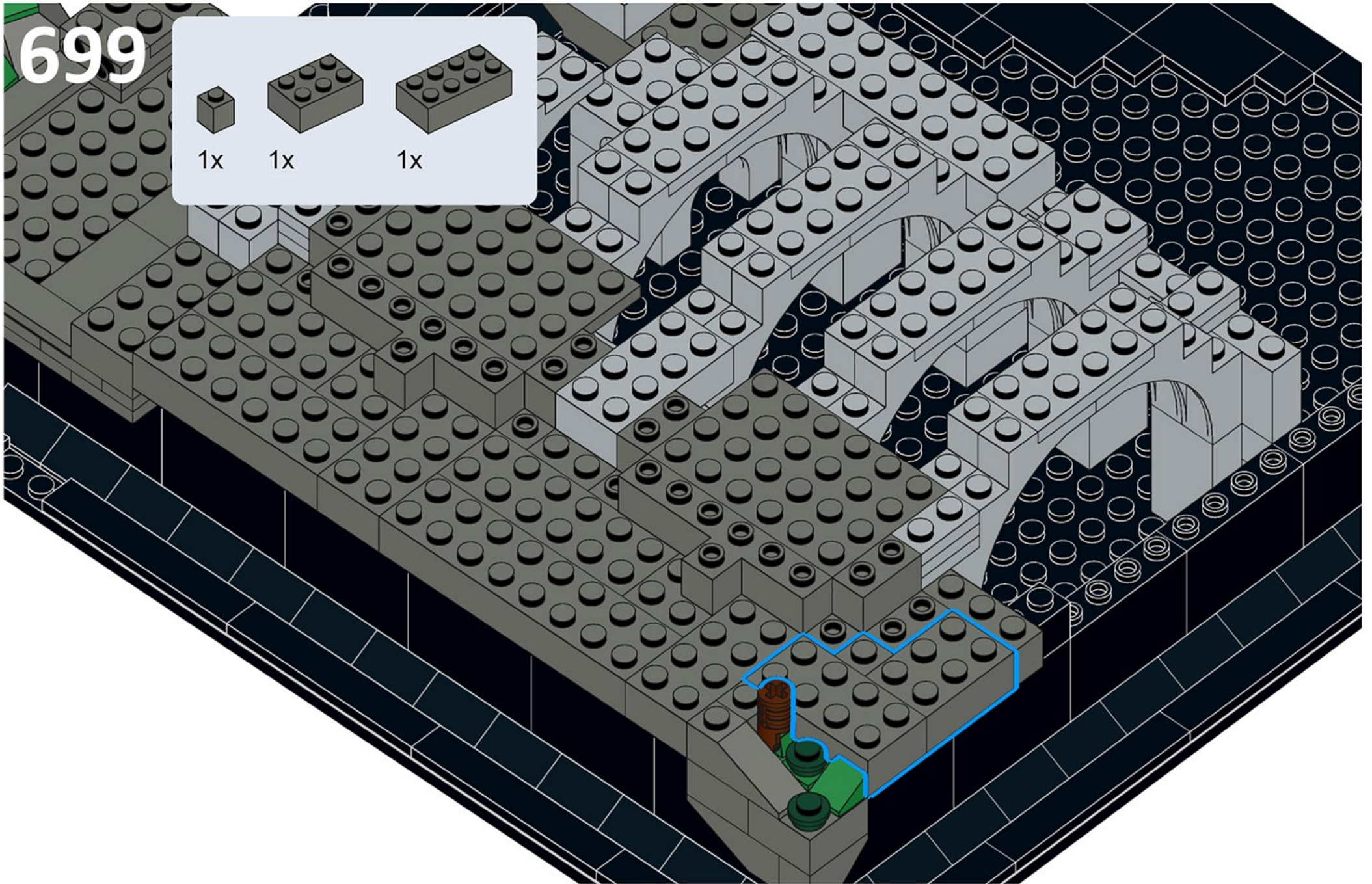
1x



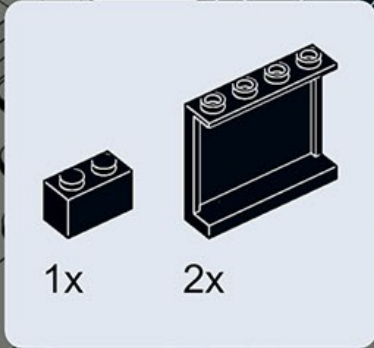
1x





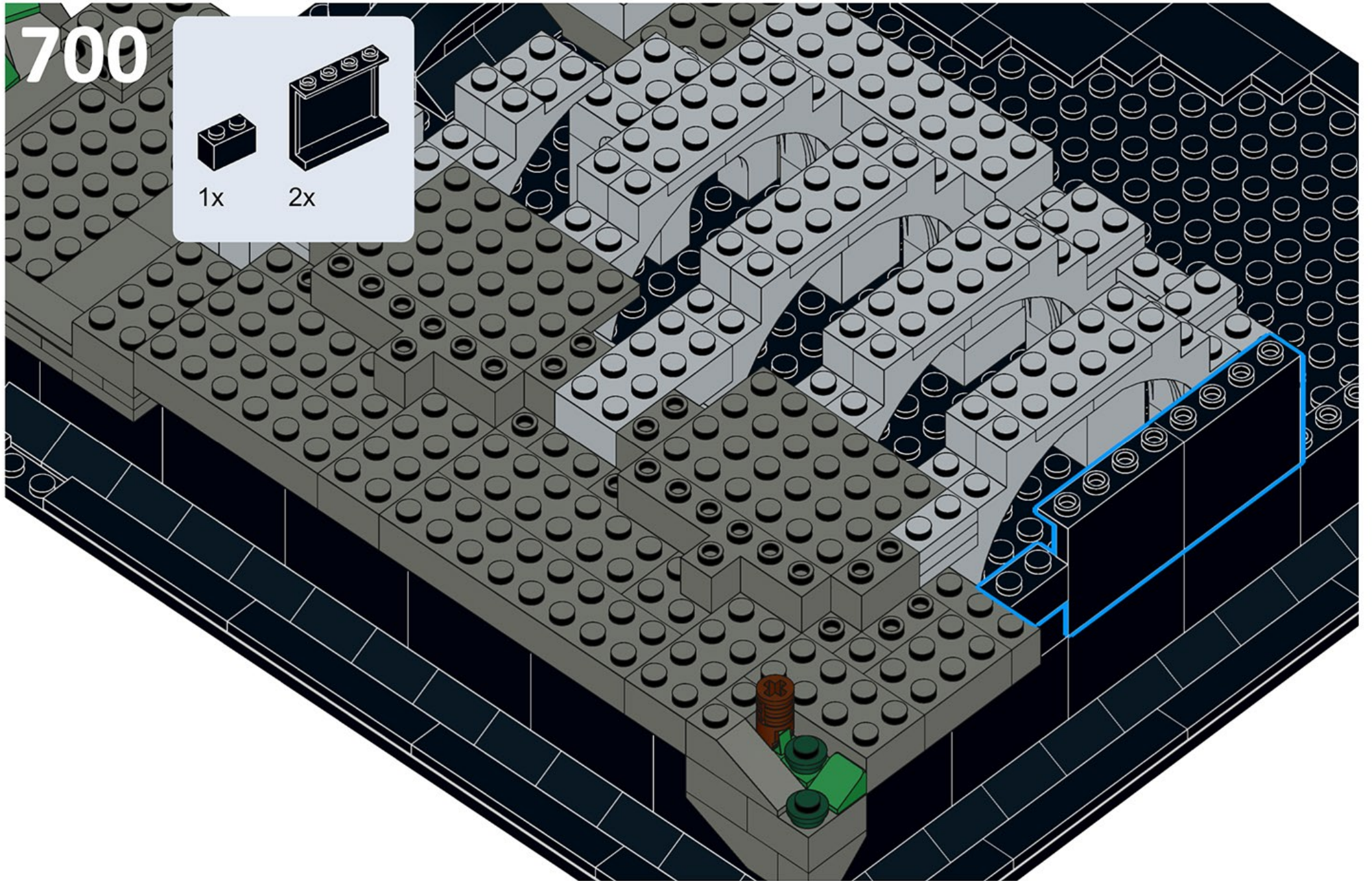
1x



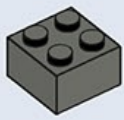
700



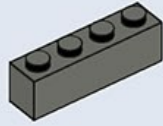
1x  2x 



701



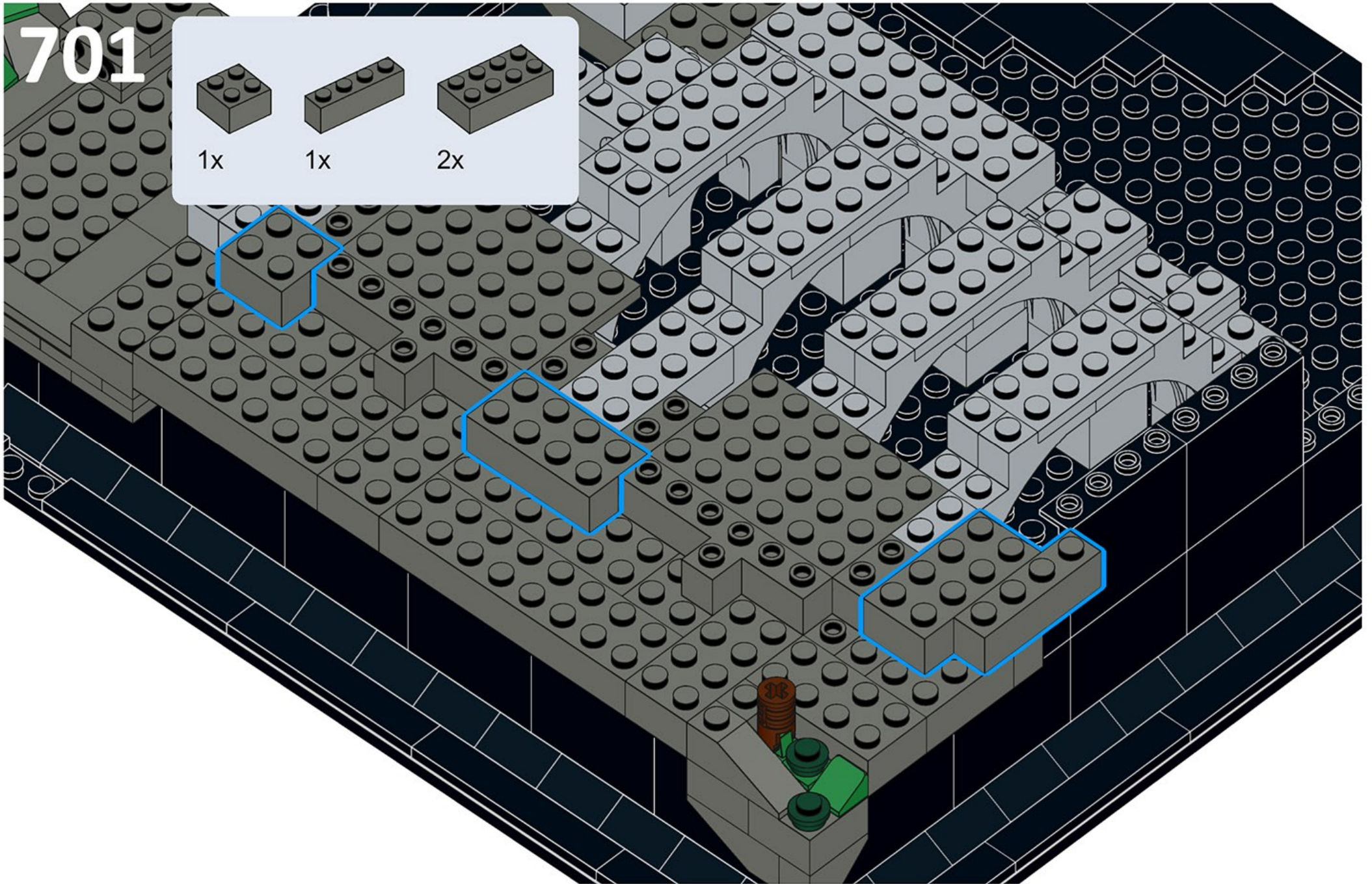
1x






1x

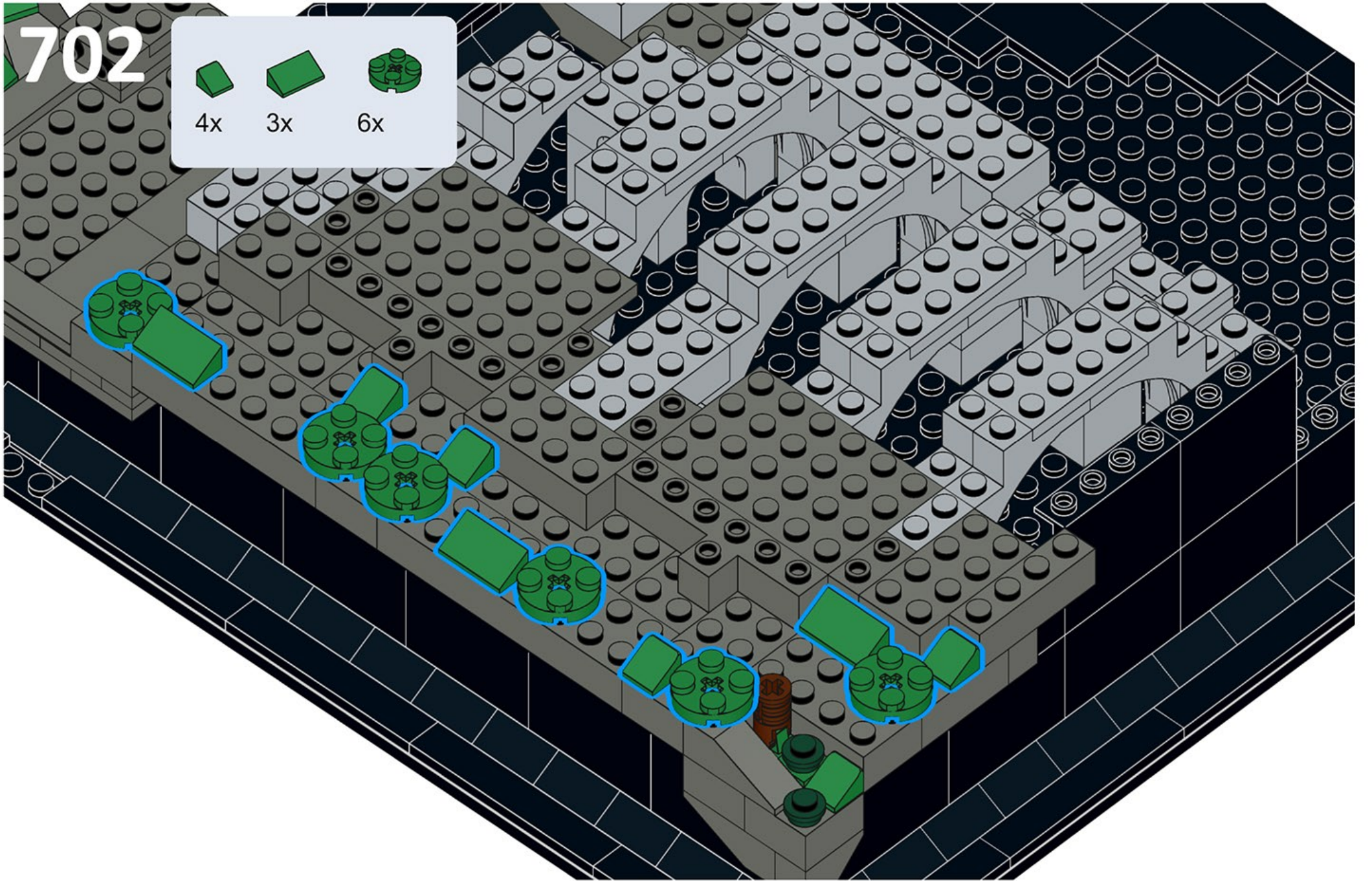


2x



702

		
4x	3x	6x



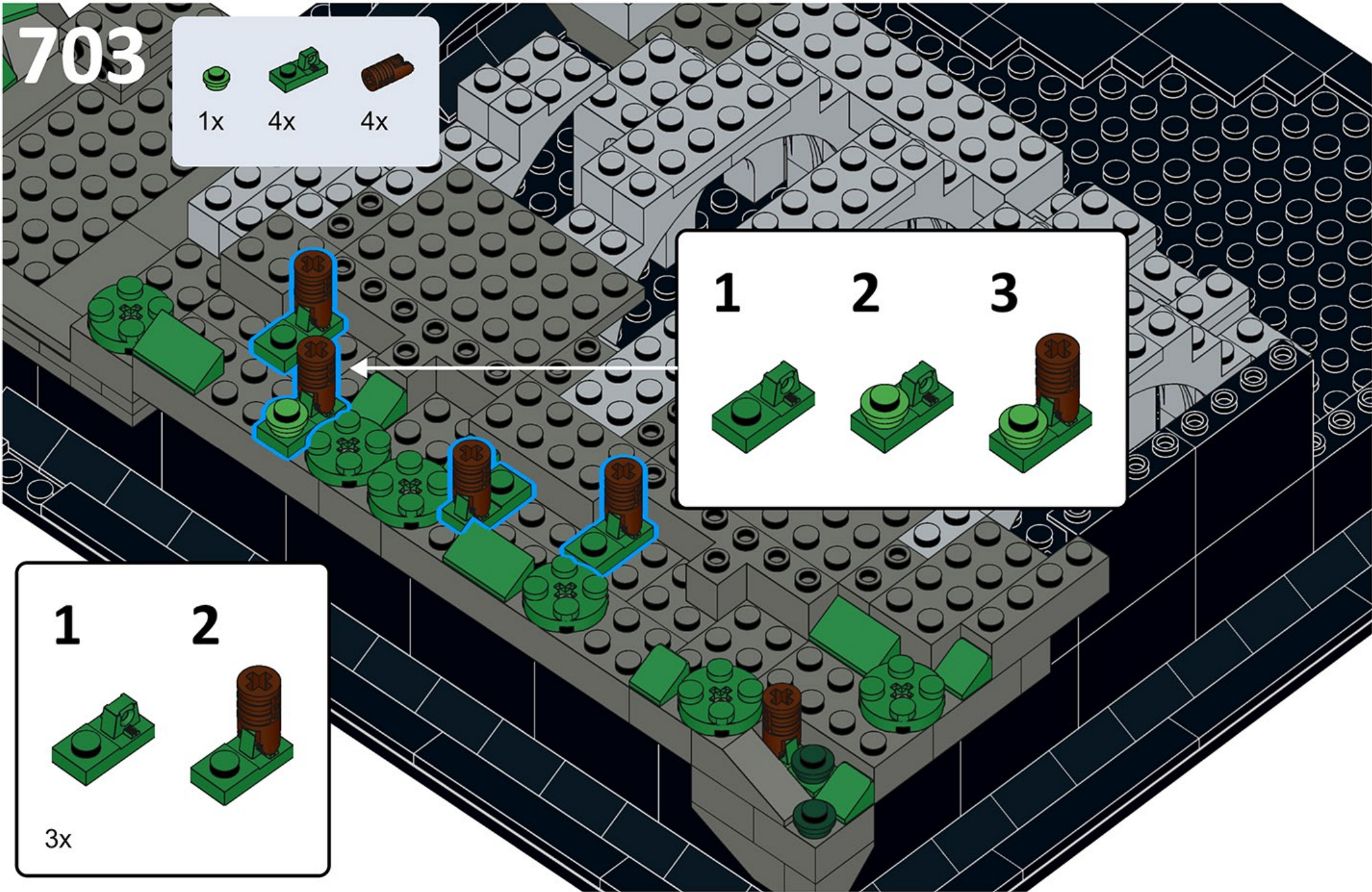
703

1x 4x 4x

1 2 3

1 2

3x



704



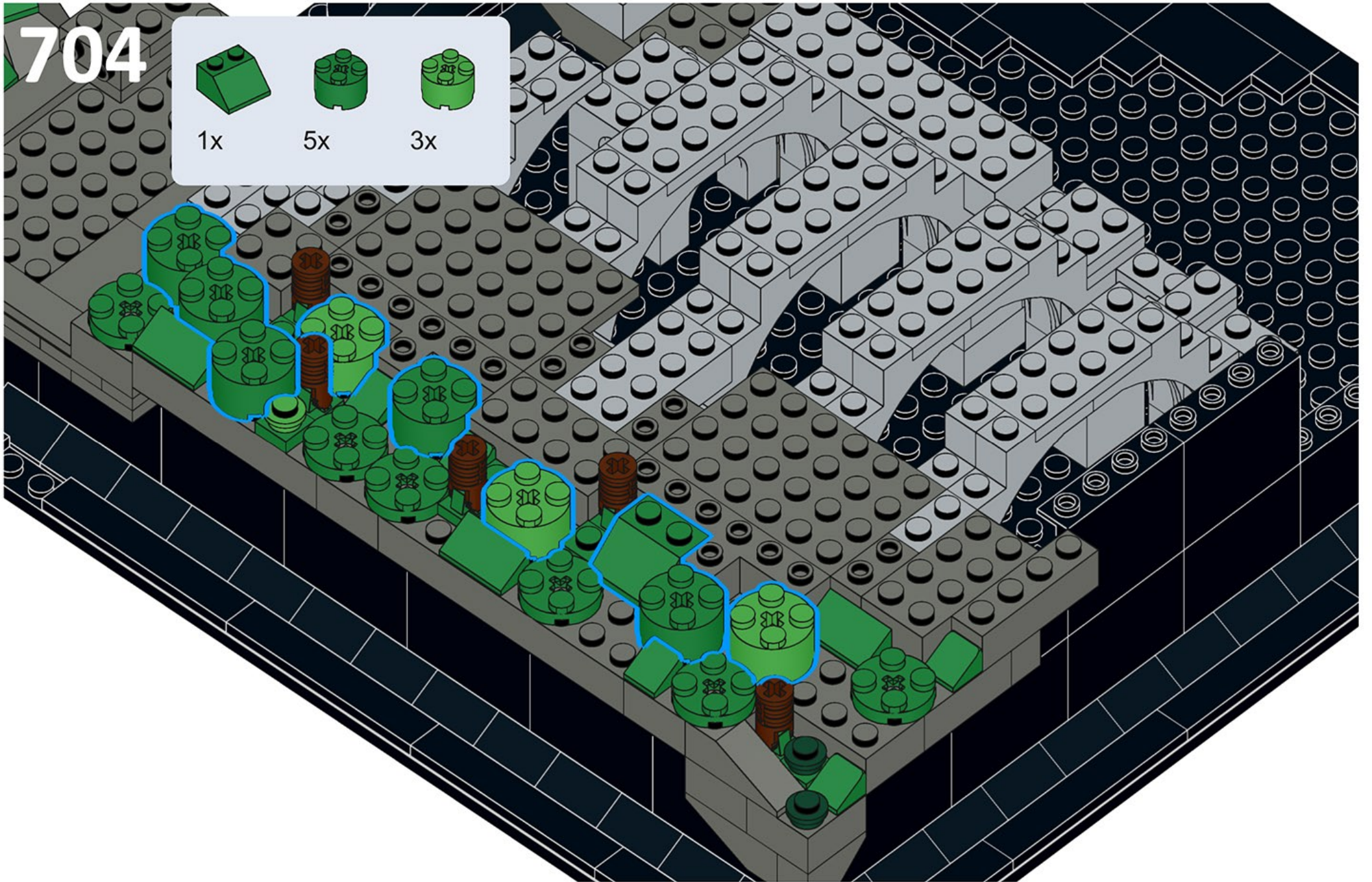
1x








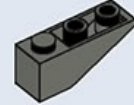
5x





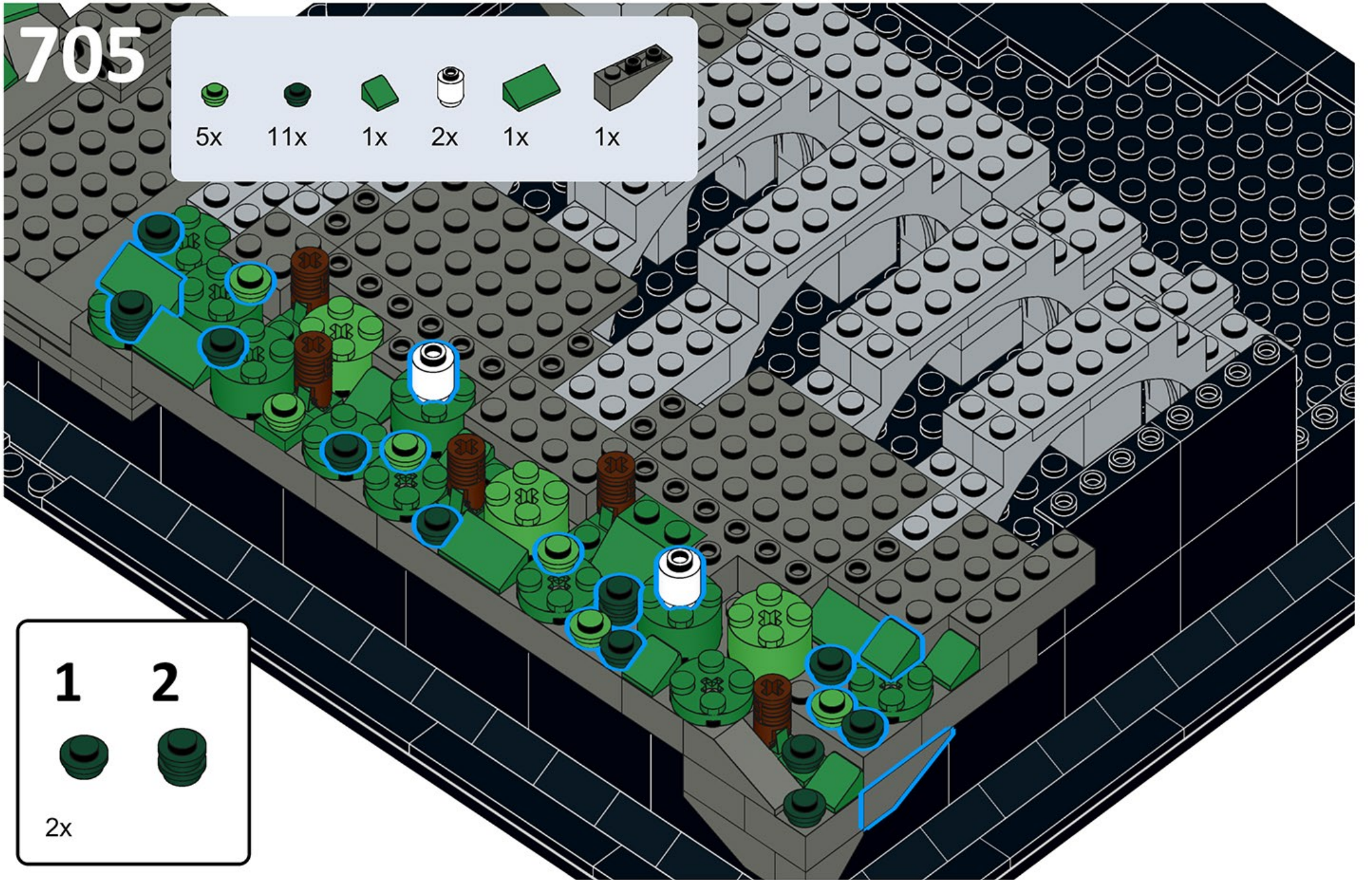
3x



705

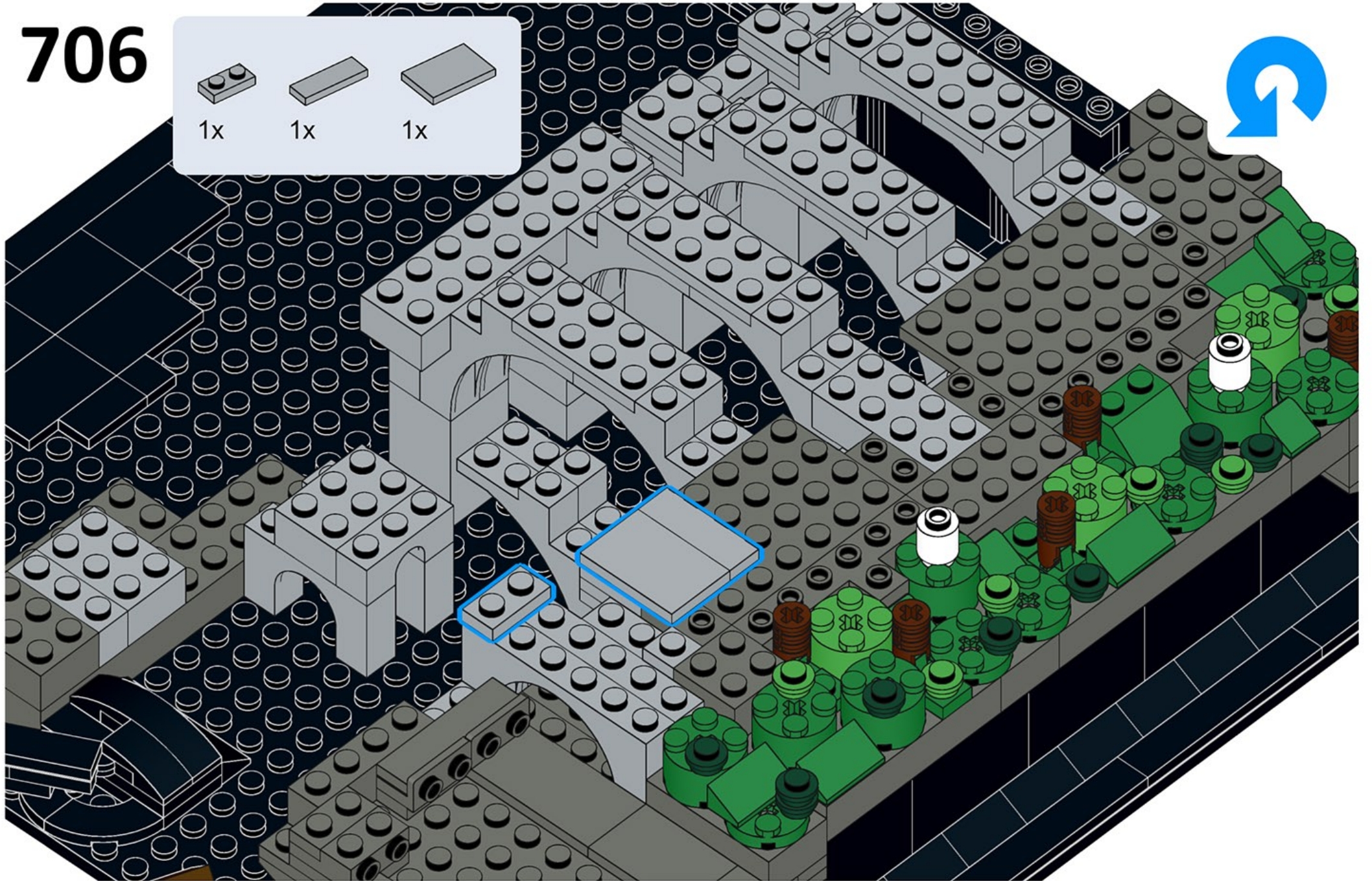
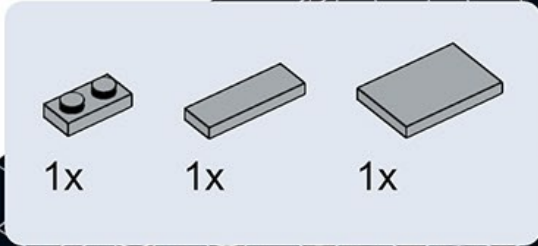
					
5x	11x	1x	2x	1x	1x

1	2
	
2x	

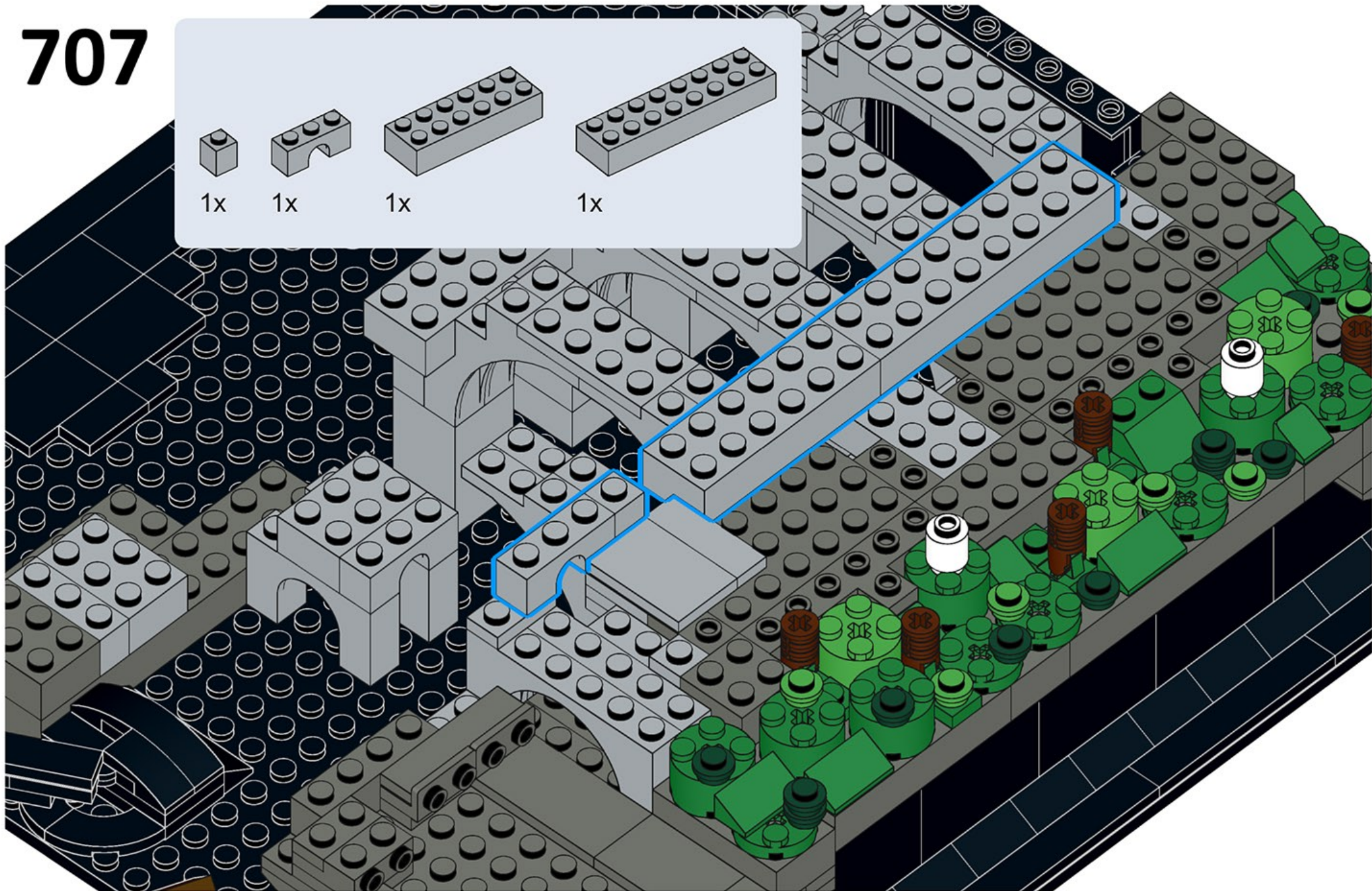
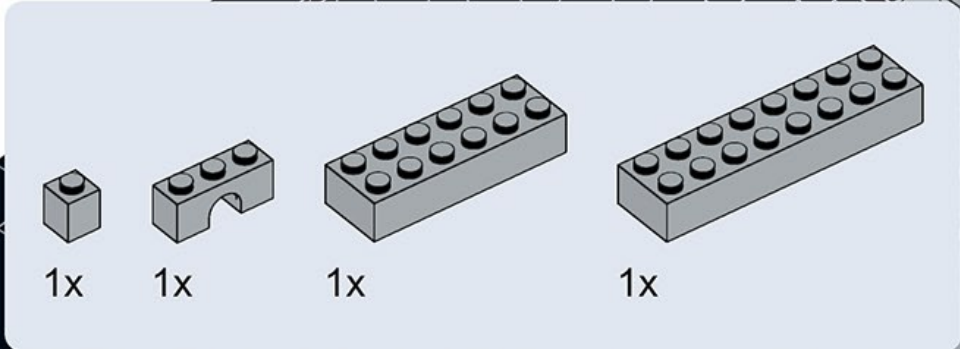


706

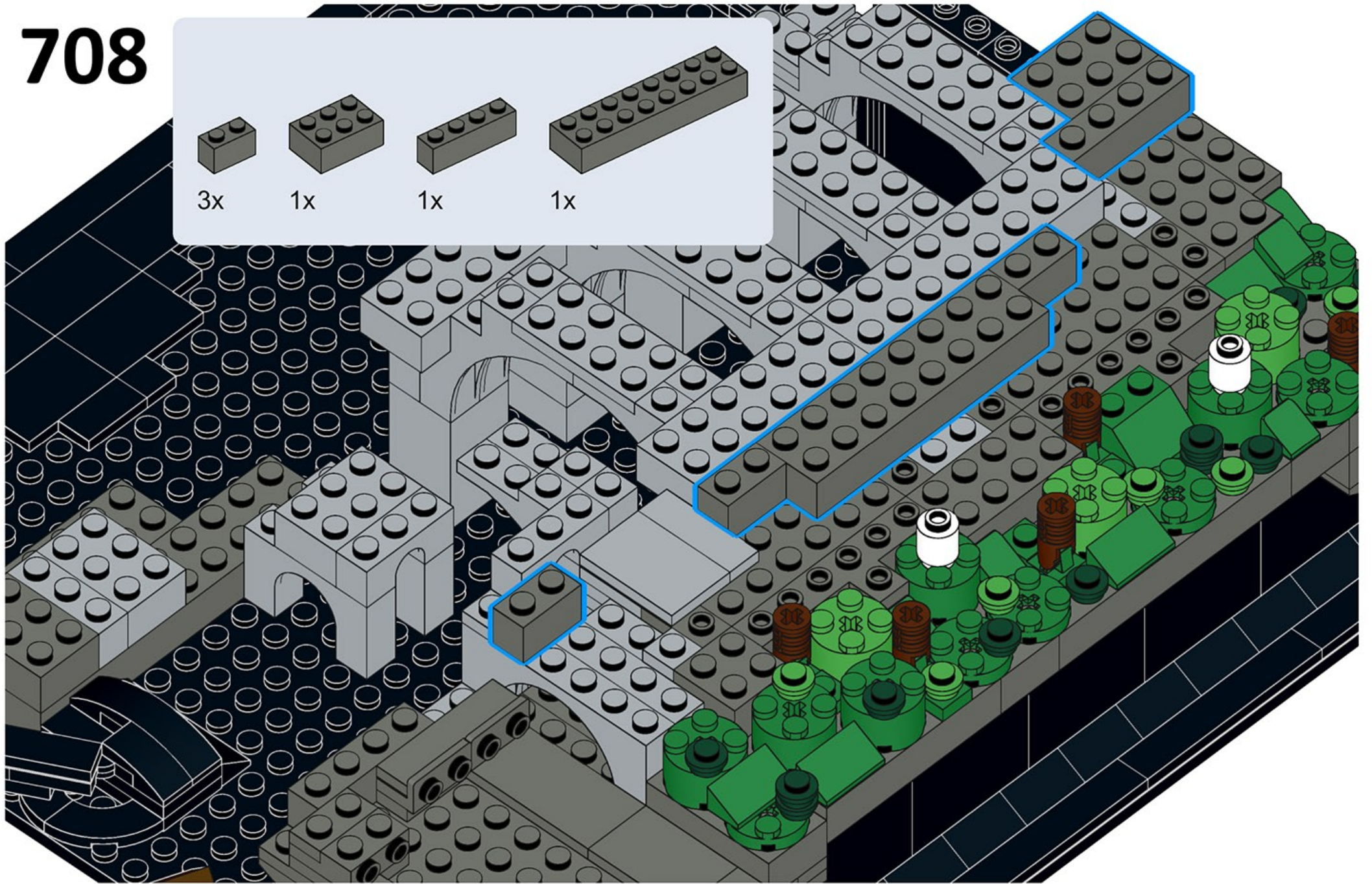
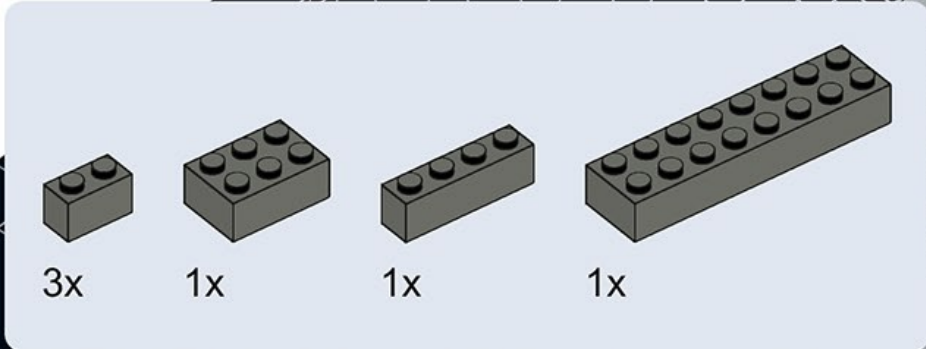
1x 1x 1x



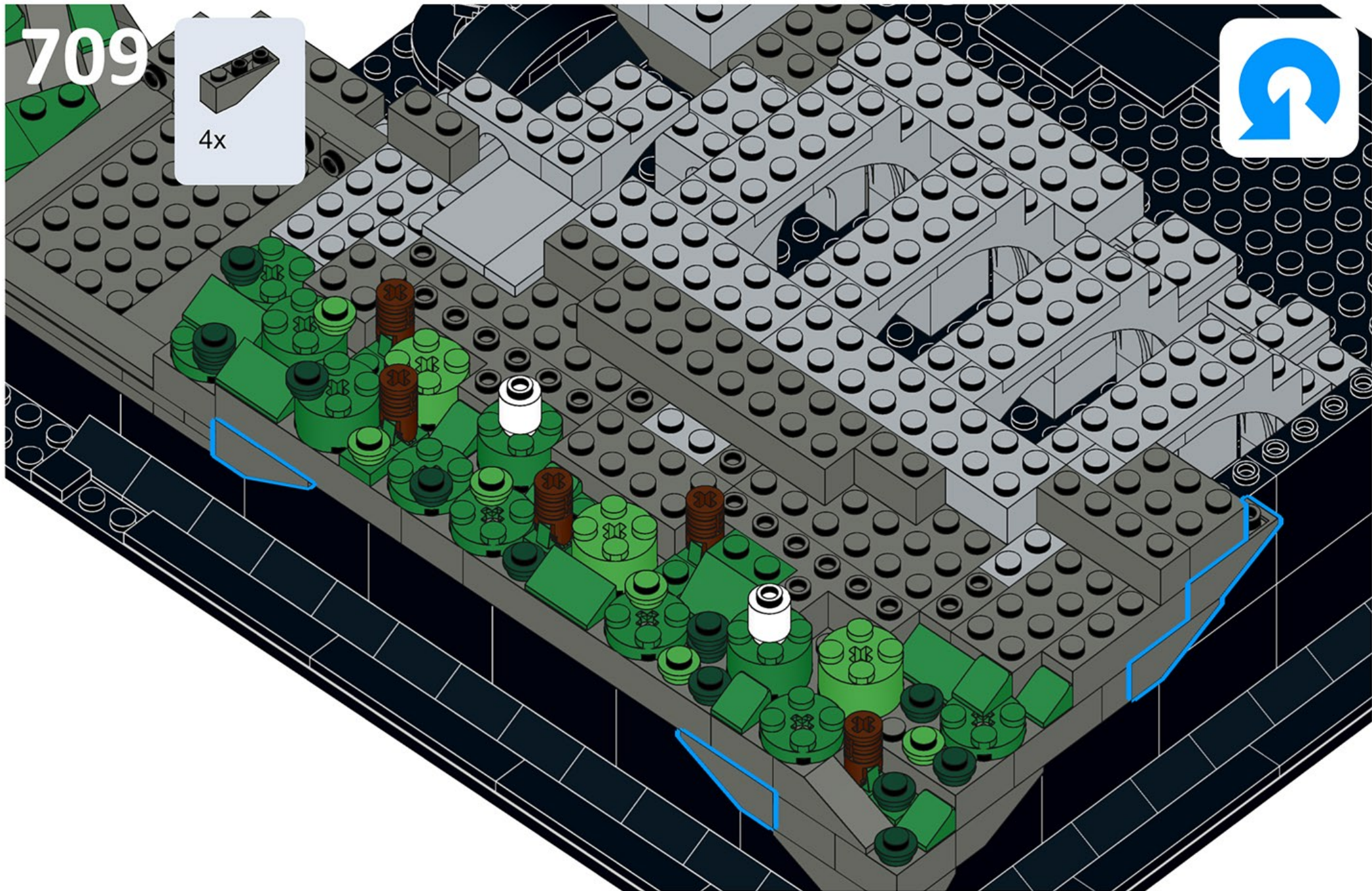
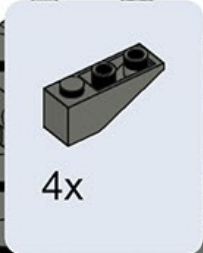
707



708



709



710



1x



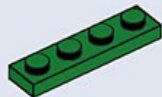
3x



1x



7x

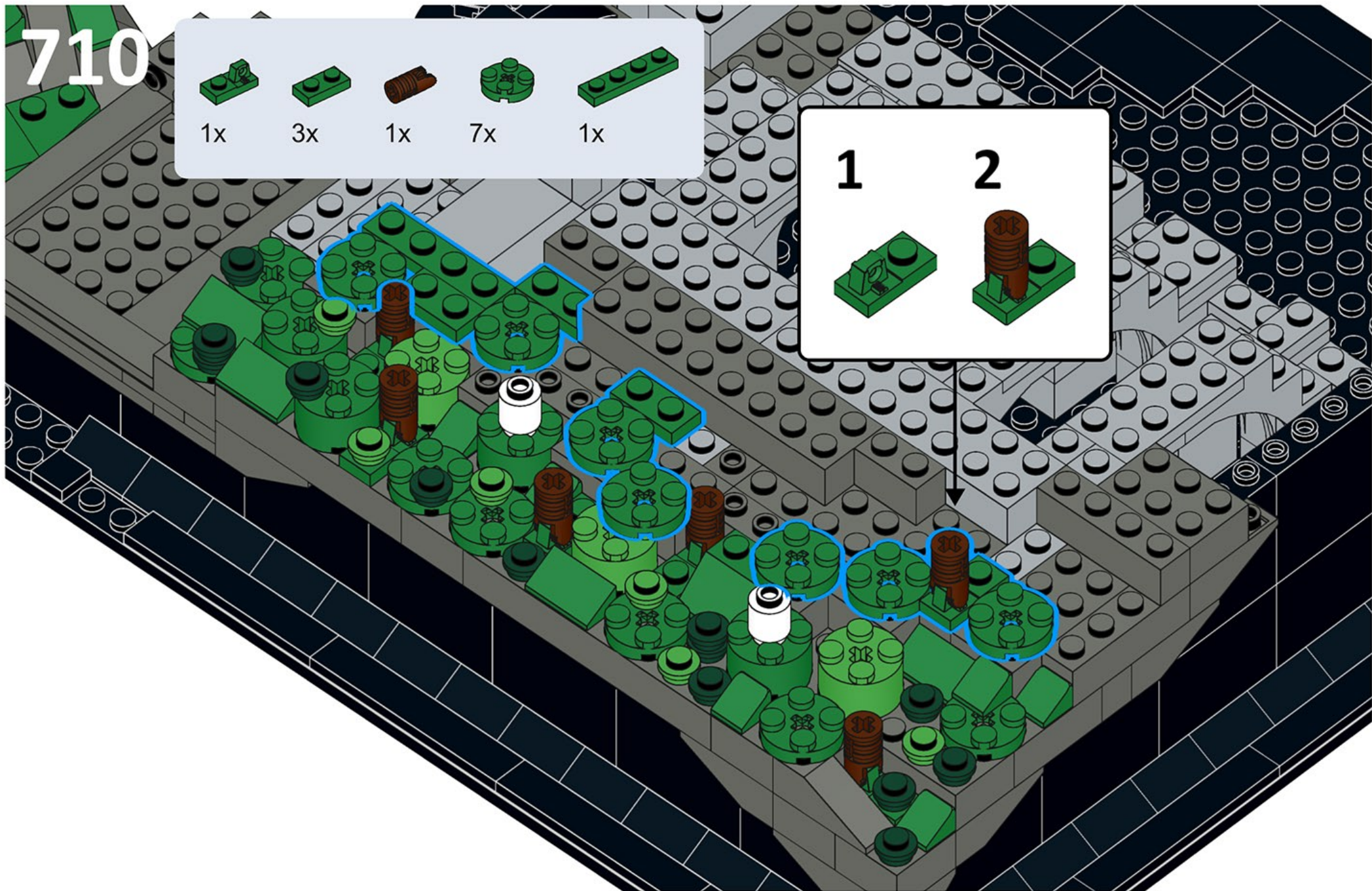


1x

1



2



711



1x



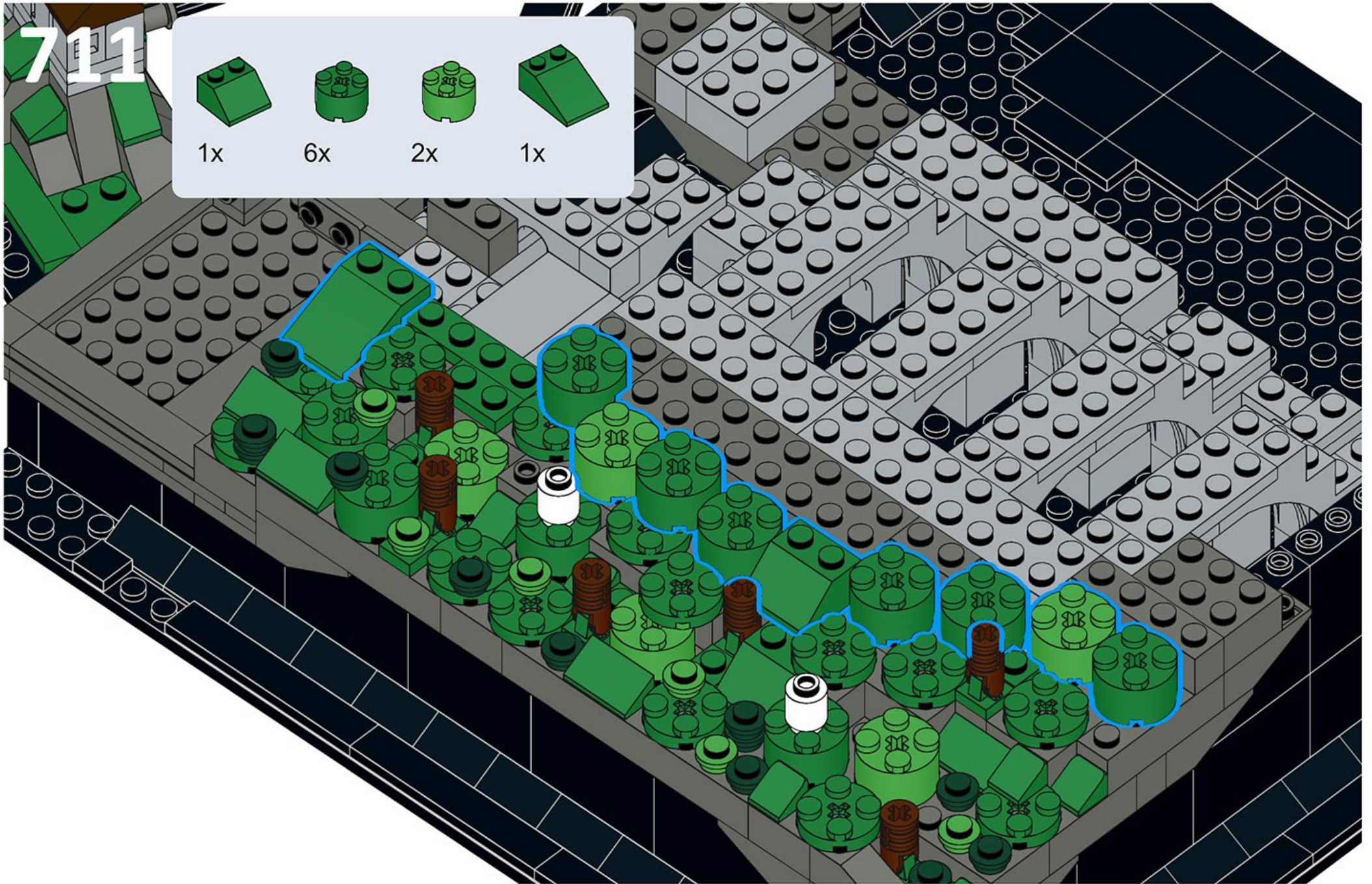
6x



2x



1x



7121



1x



7x

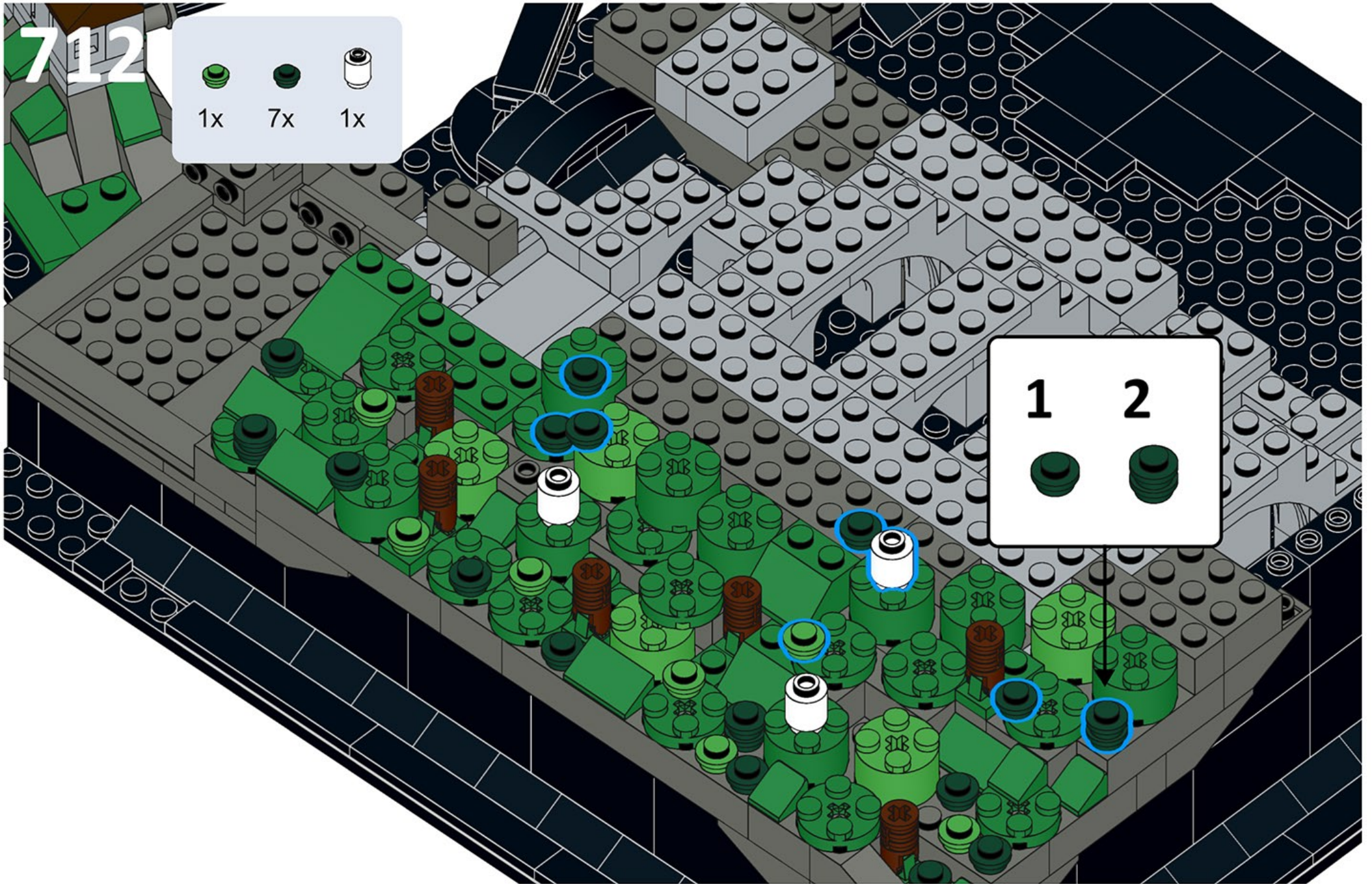


1x

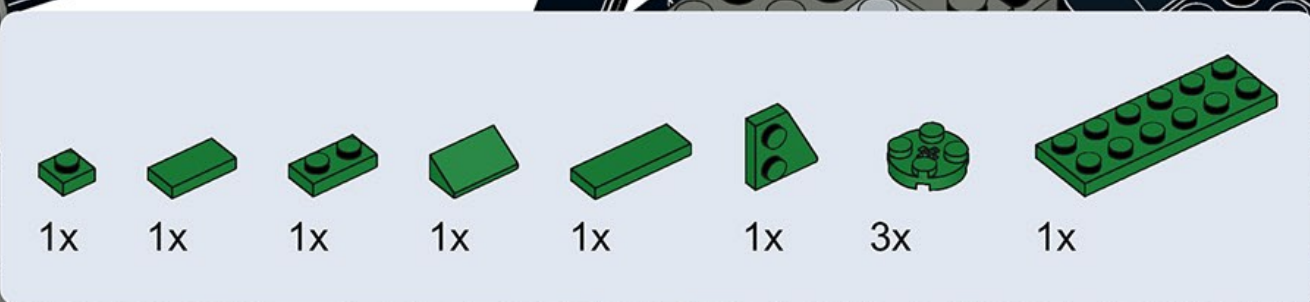
1



2

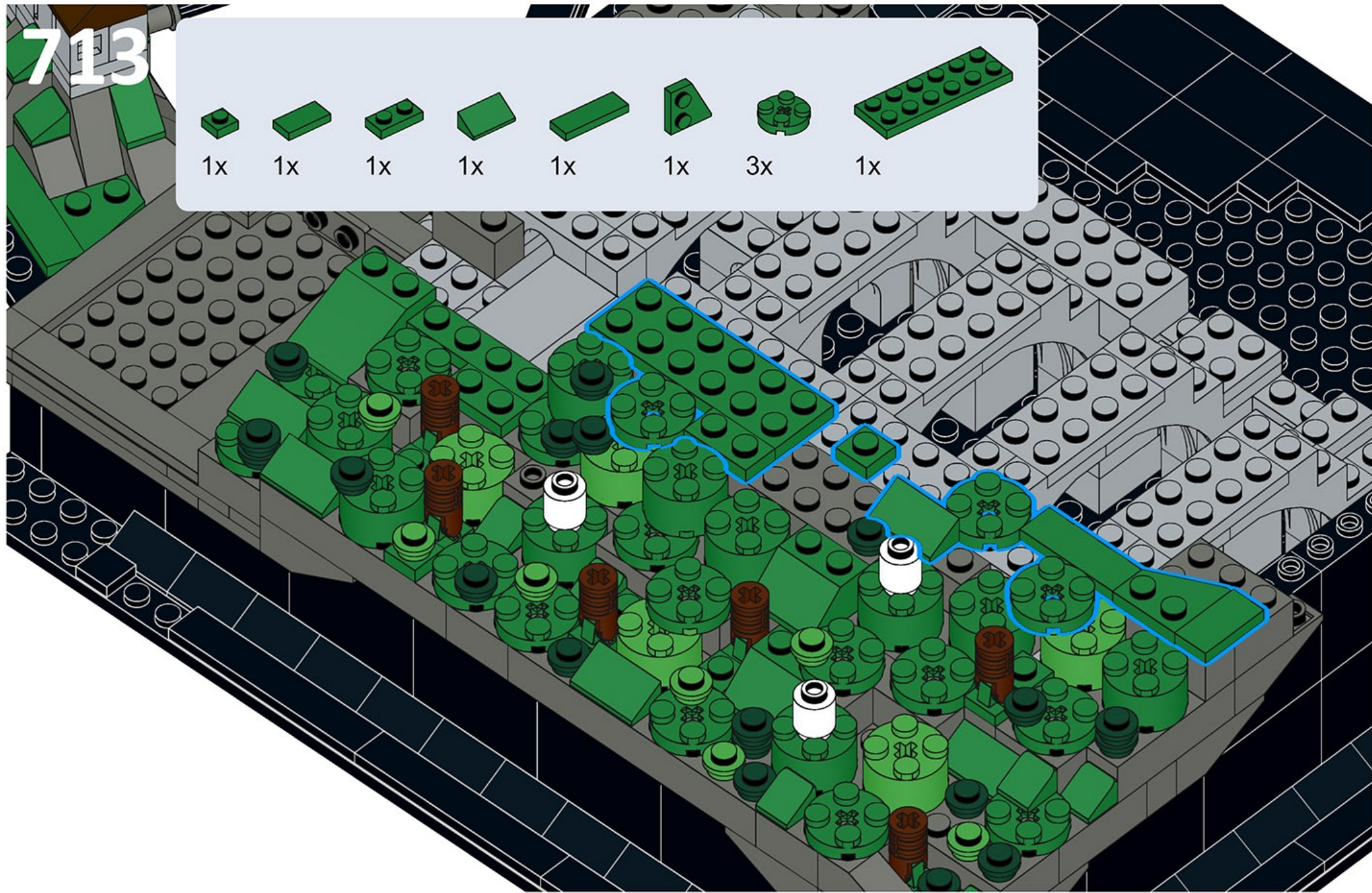


7131



1x 1x 1x 1x 1x 1x 3x 1x

This block contains a list of parts for step 7131. From left to right, the parts are: a 1x1 green Technic brick with a hole, a 1x2 green Technic brick, a 1x3 green Technic brick with a hole, a 1x4 green Technic brick, a 1x6 green Technic brick, a 1x3 green Technic brick with a hole, a 3x green Technic bush, and a 1x6 green Technic brick with 6 holes.



714



1x



2x



1x



2x

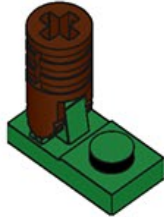


2x

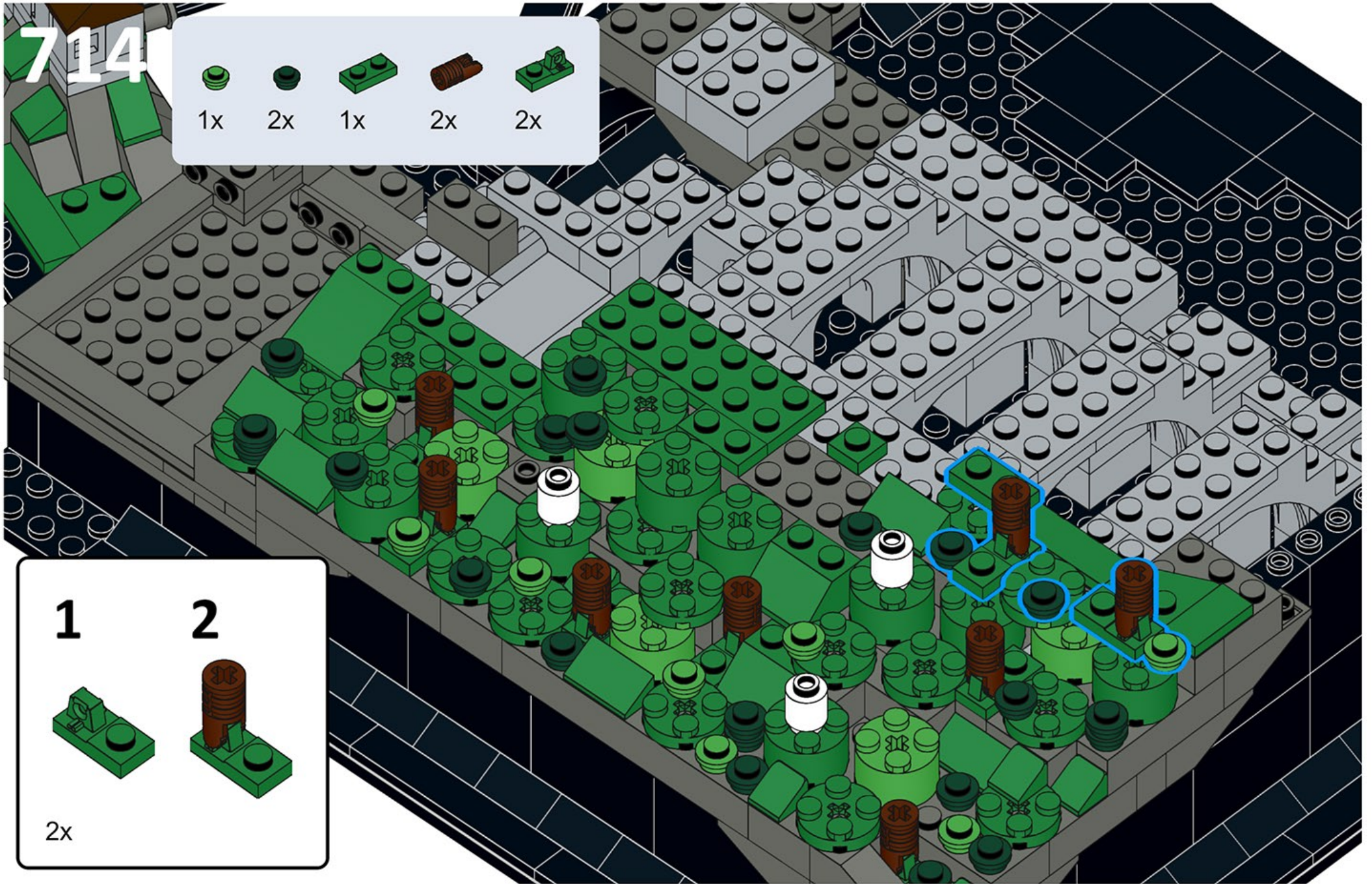
1



2



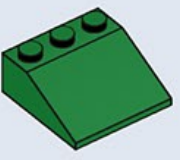
2x



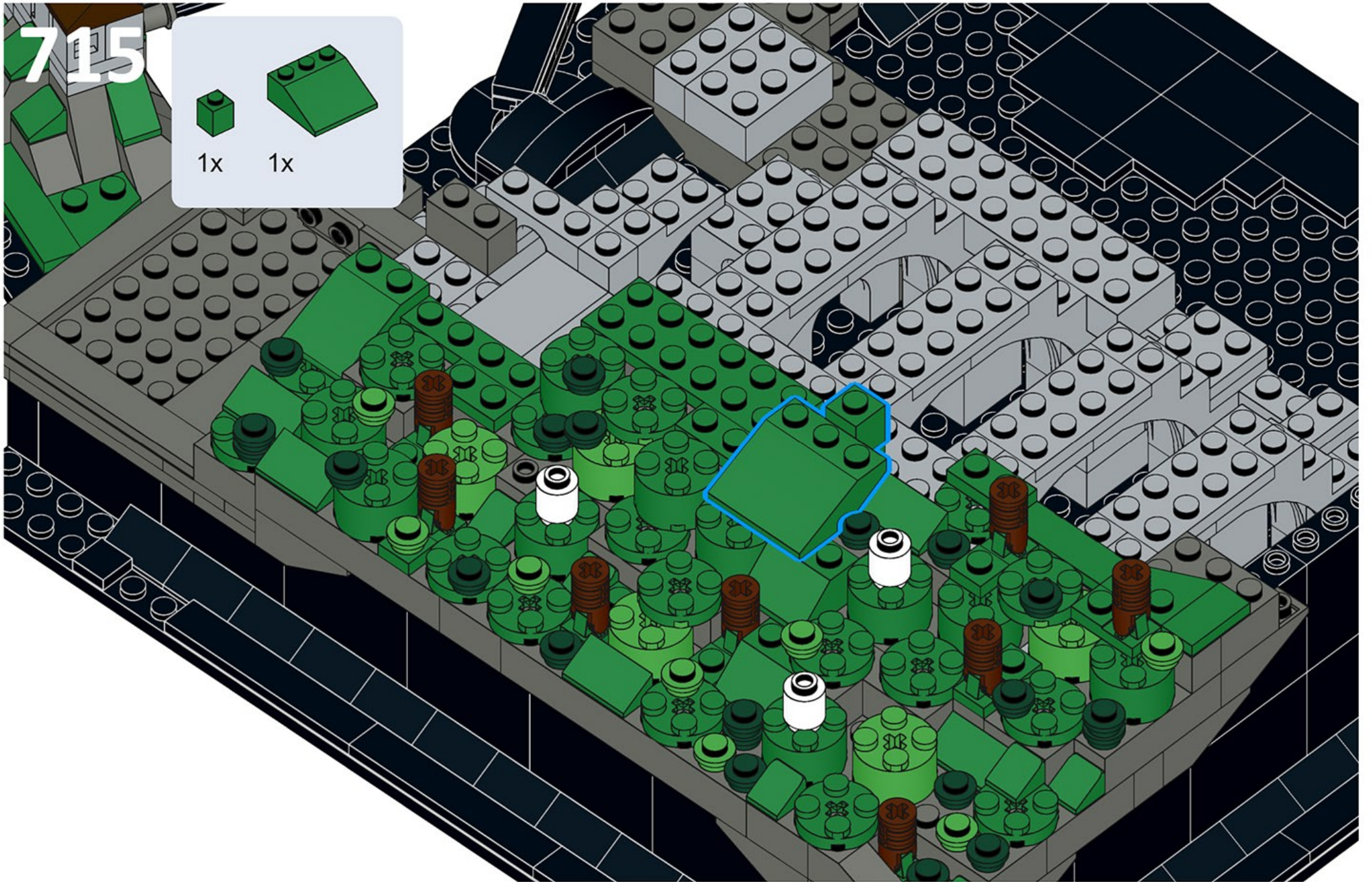
7151



1x

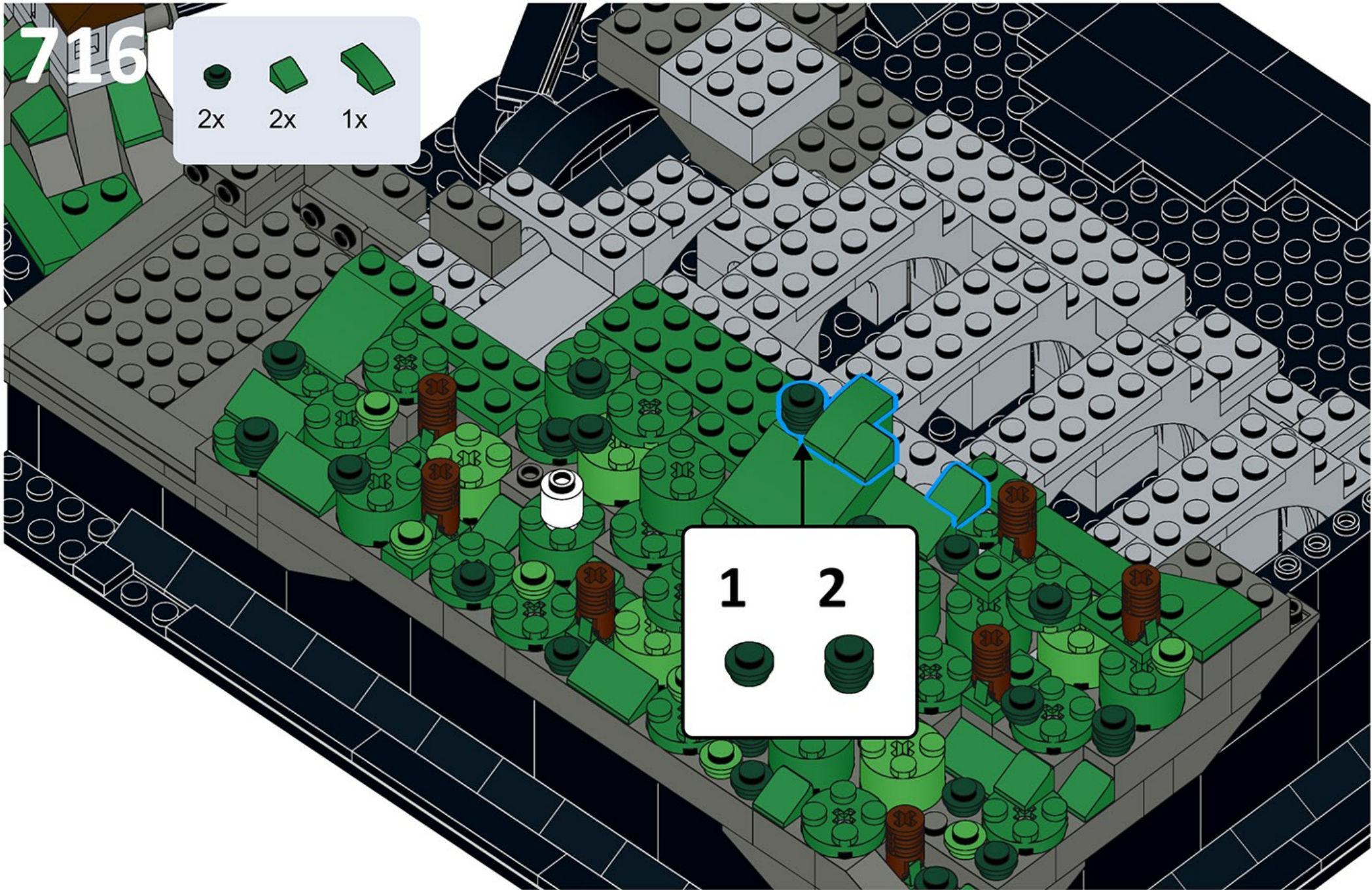
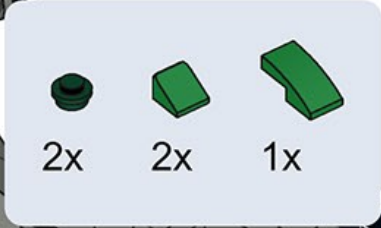


1x

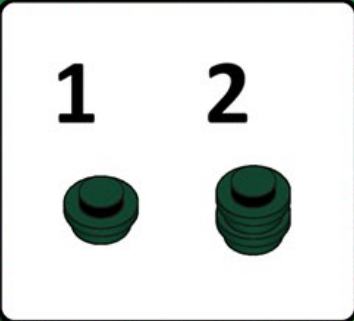


716

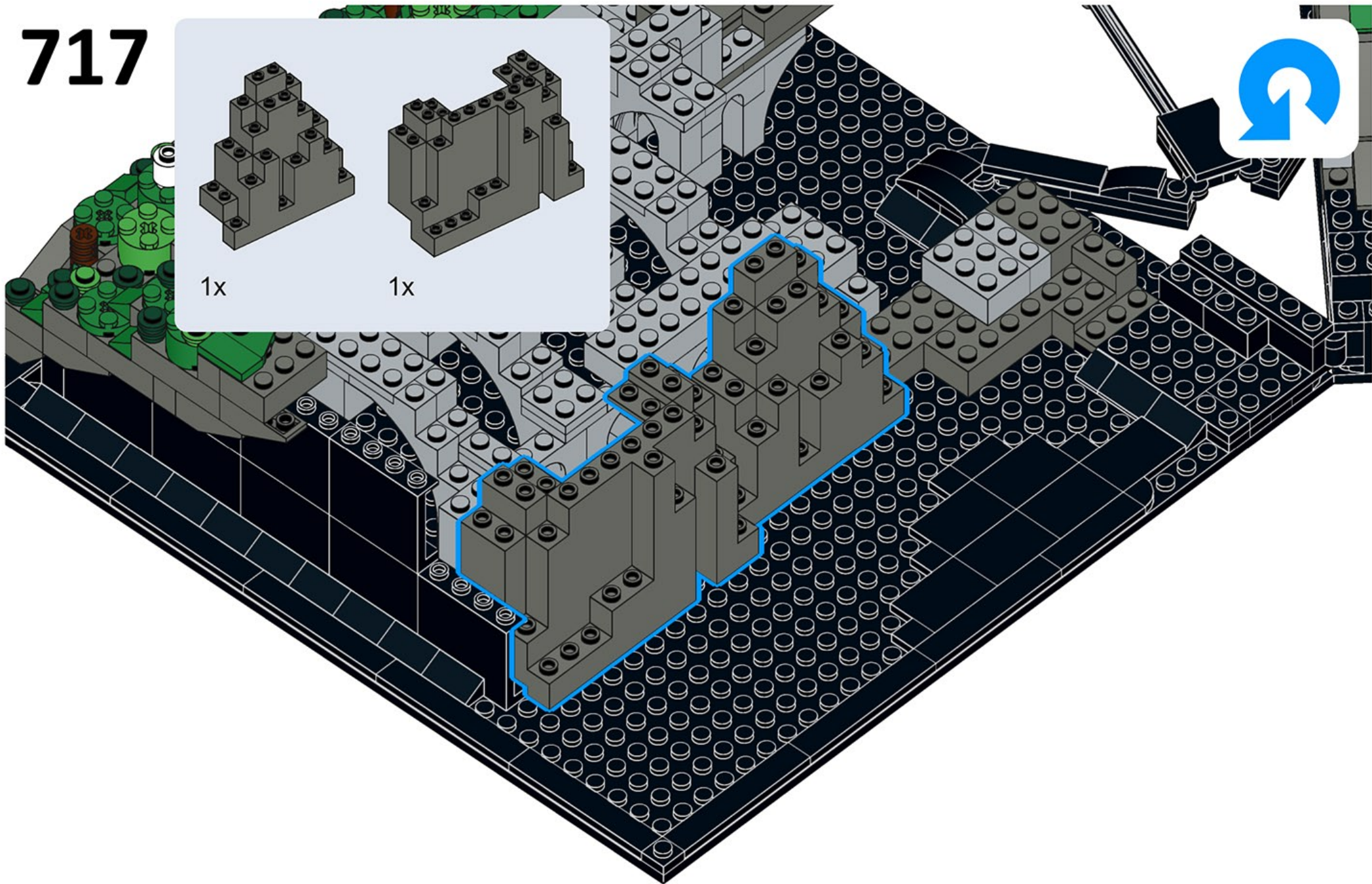
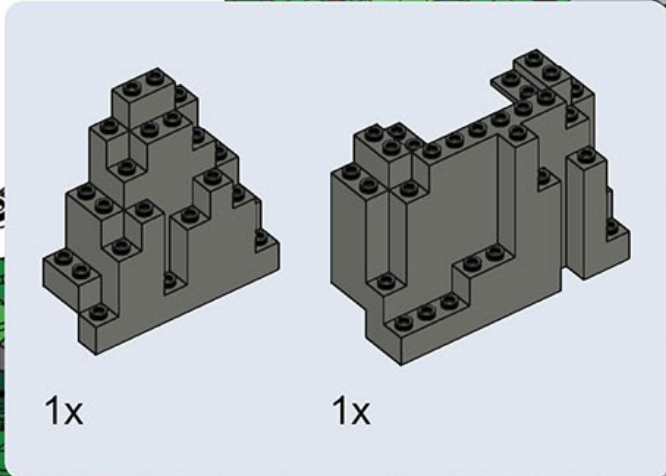
2x 2x 1x



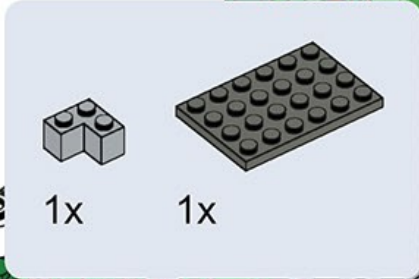
1 2





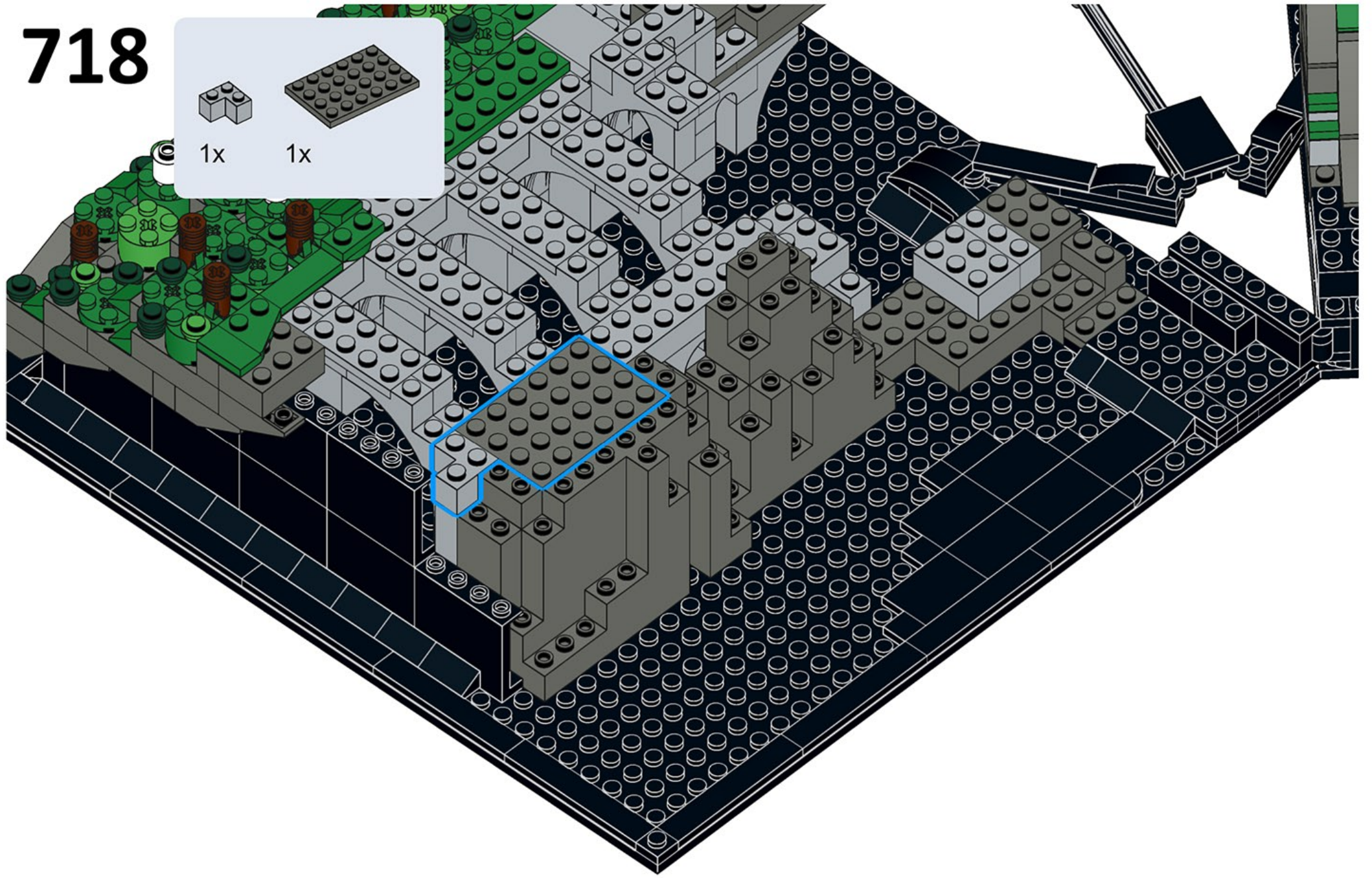
717



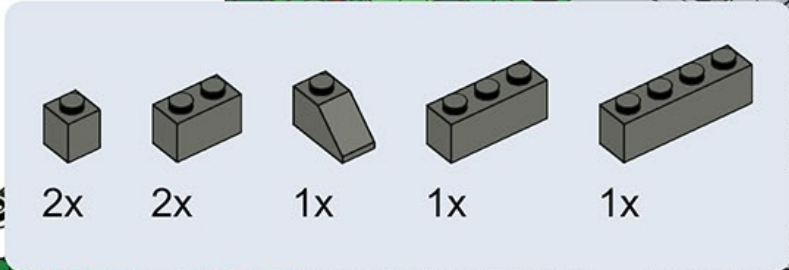
718



1x  1x 

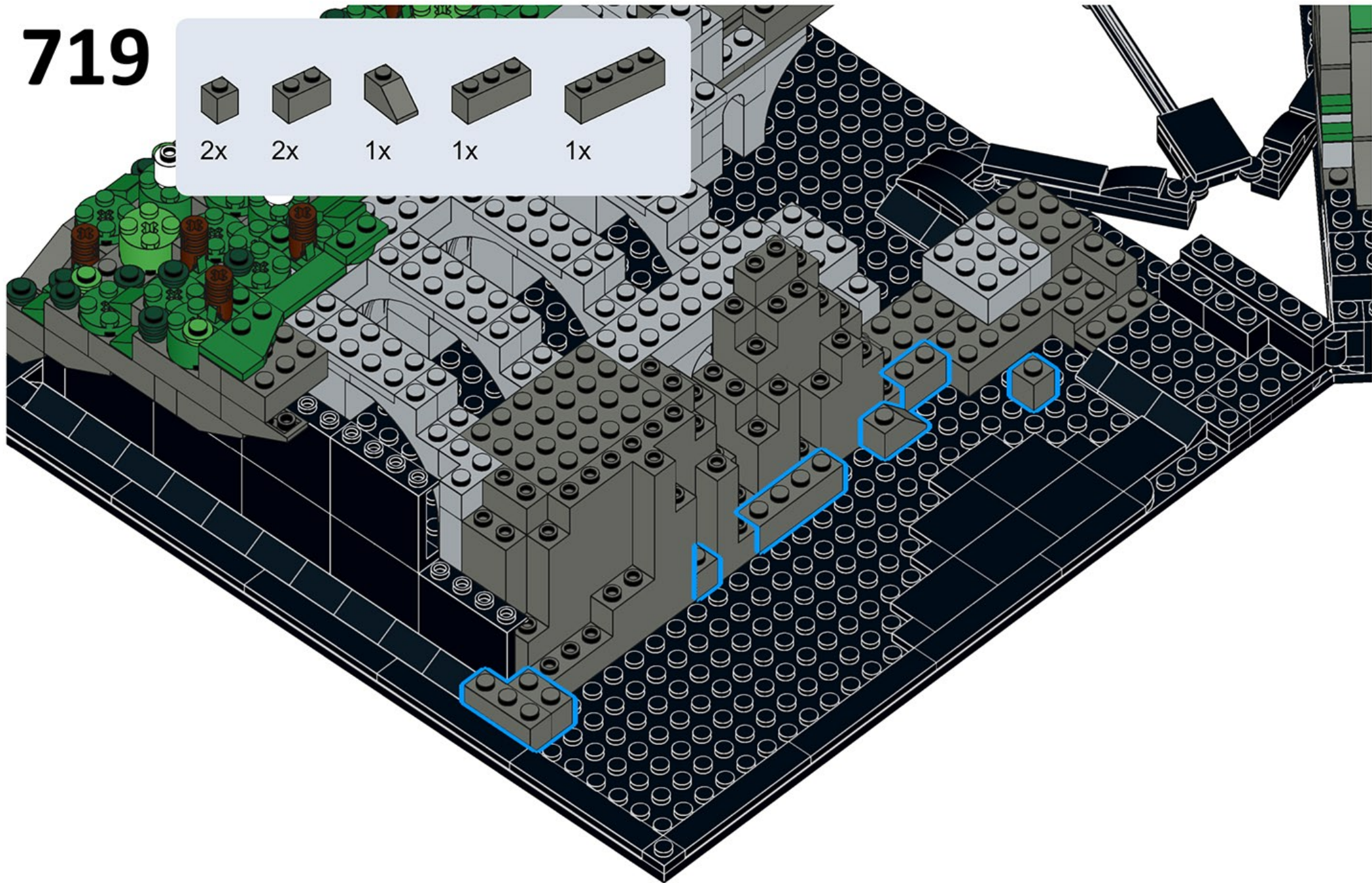


719



2x 2x 1x 1x 1x

This block contains a parts list for step 719. It features five small images of grey LEGO parts: a 1x1 brick, a 1x2 brick, a 1x2 wedge, a 1x3 brick, and a 1x4 brick. Below each image is a quantity label: '2x', '2x', '1x', '1x', and '1x' respectively.



720



1x



1x



1x



2x



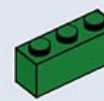
1x



2x



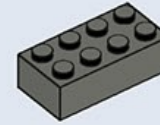
1x



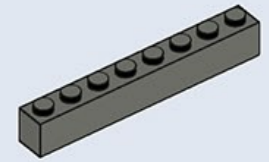
1x



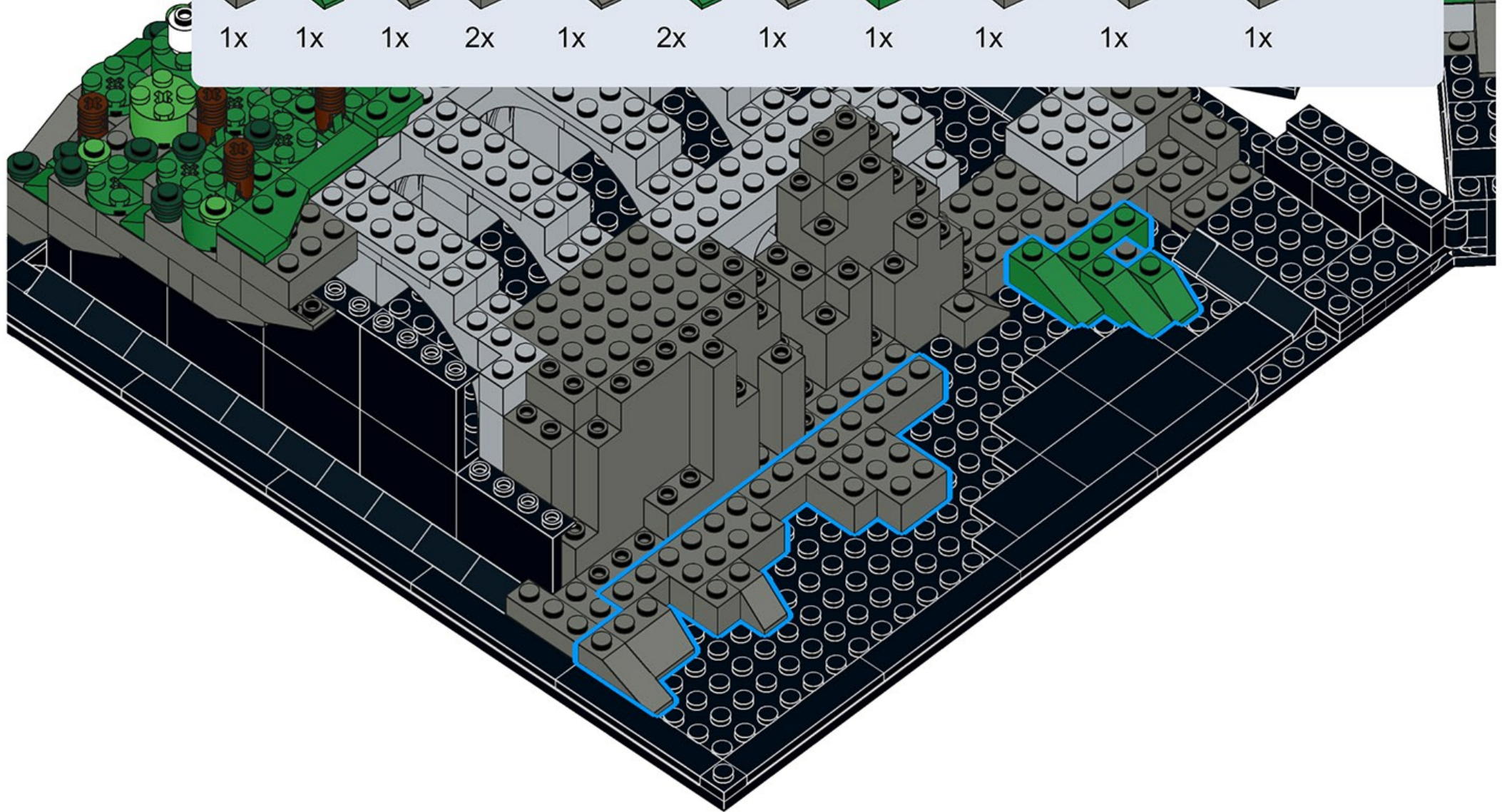
1x









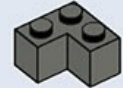



1x

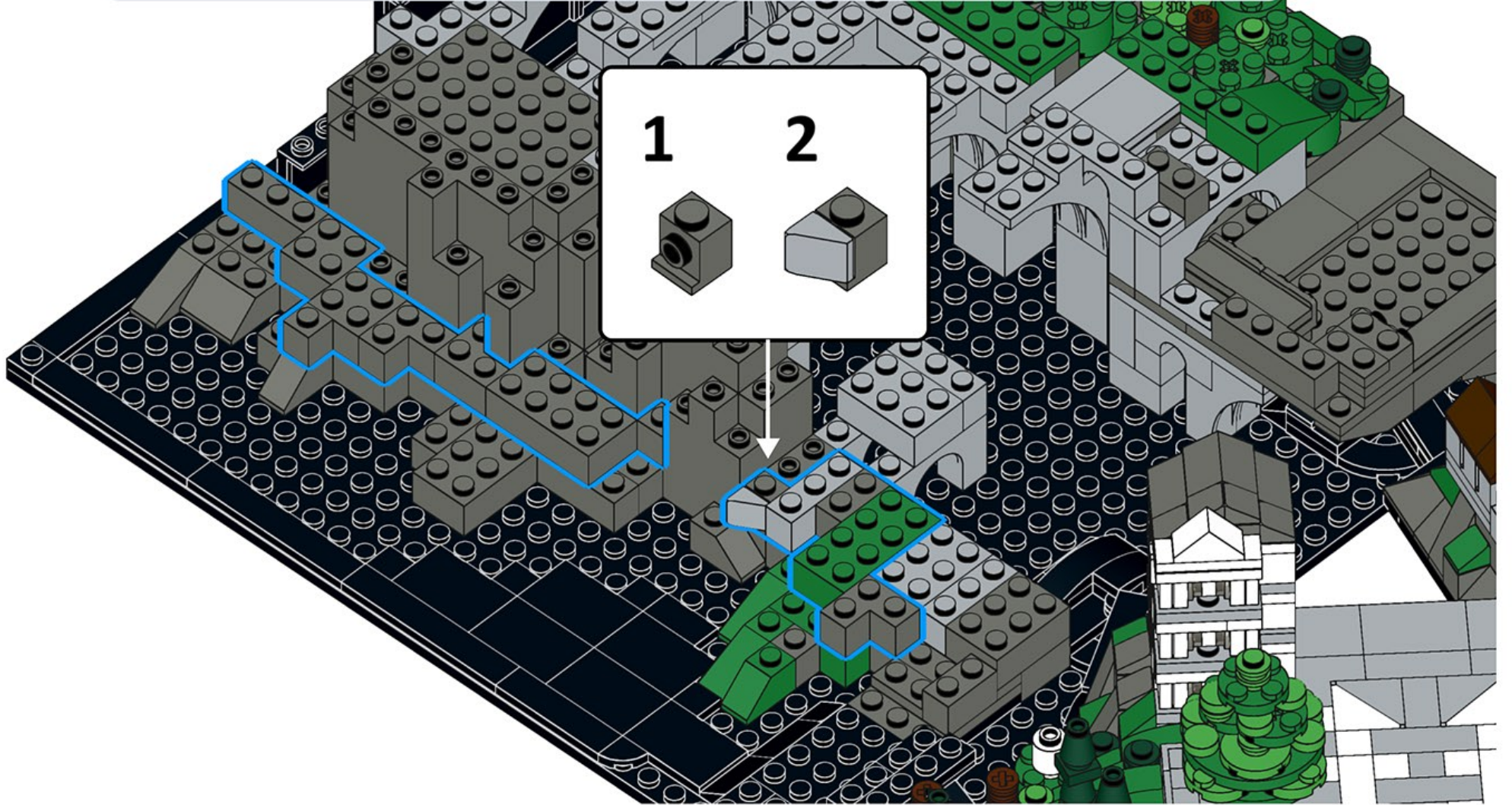


1x



721

									
1x	1x	2x	1x	1x	2x	3x	1x	1x	1x



722



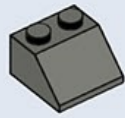
1x



1x



1x



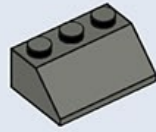
1x



1x



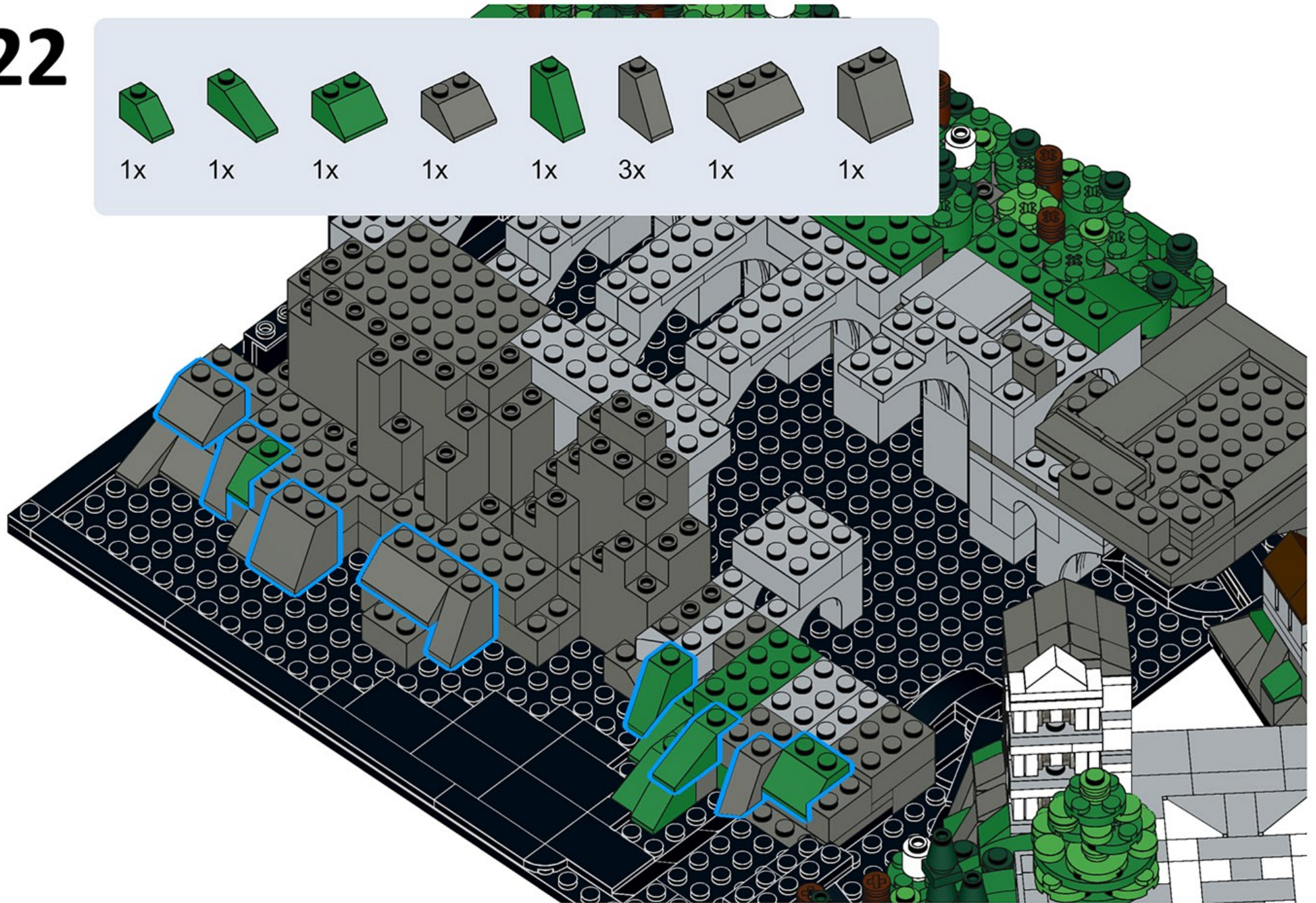
3x



1x



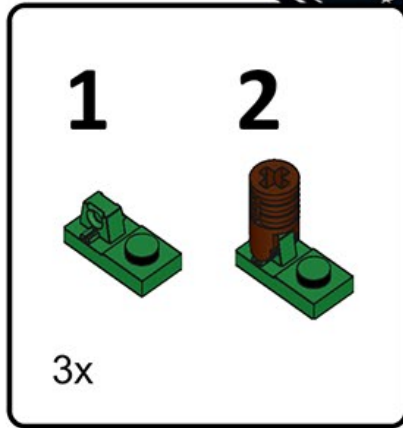
1x





723

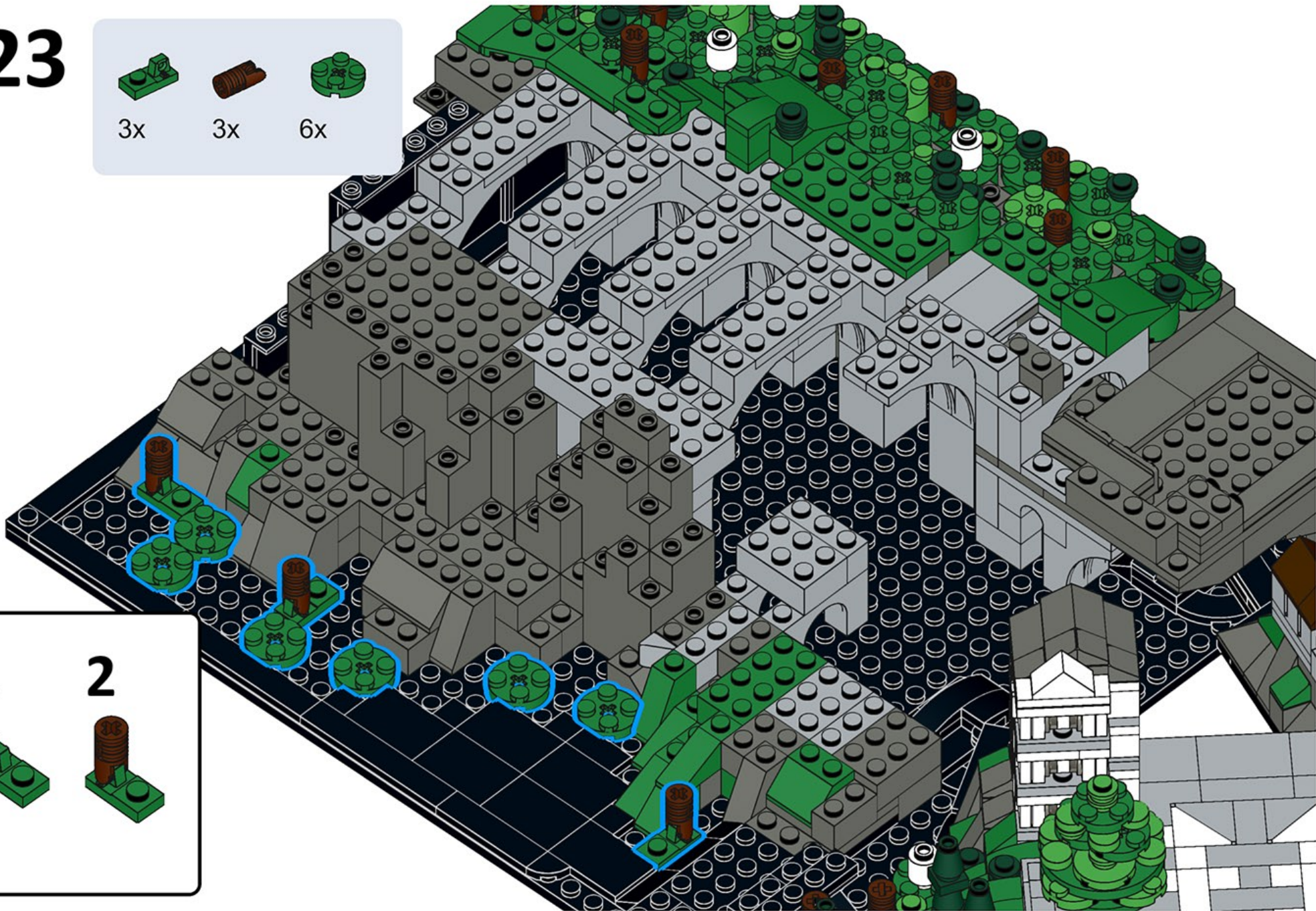


3x  3x  6x 





1  2 

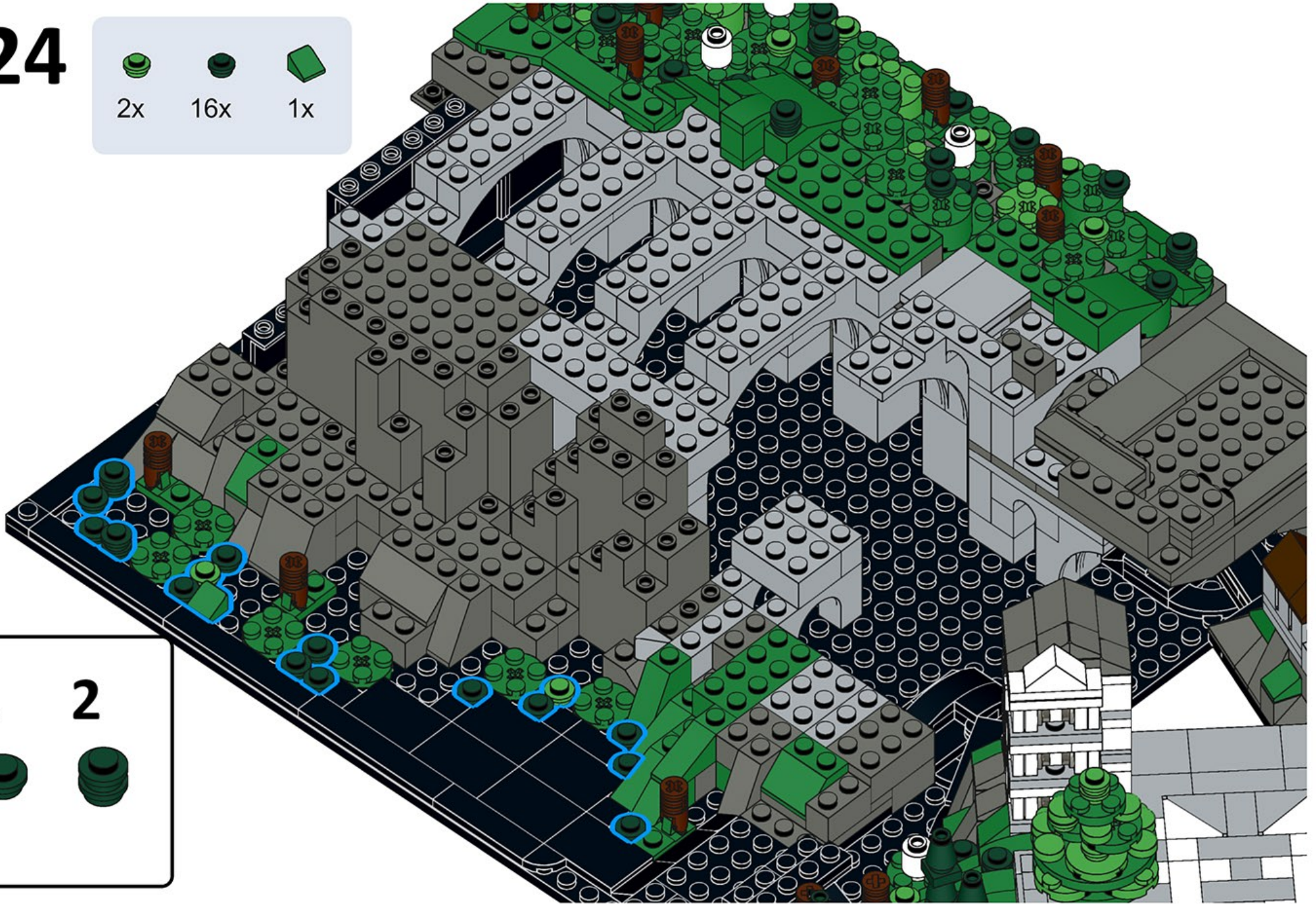
3x



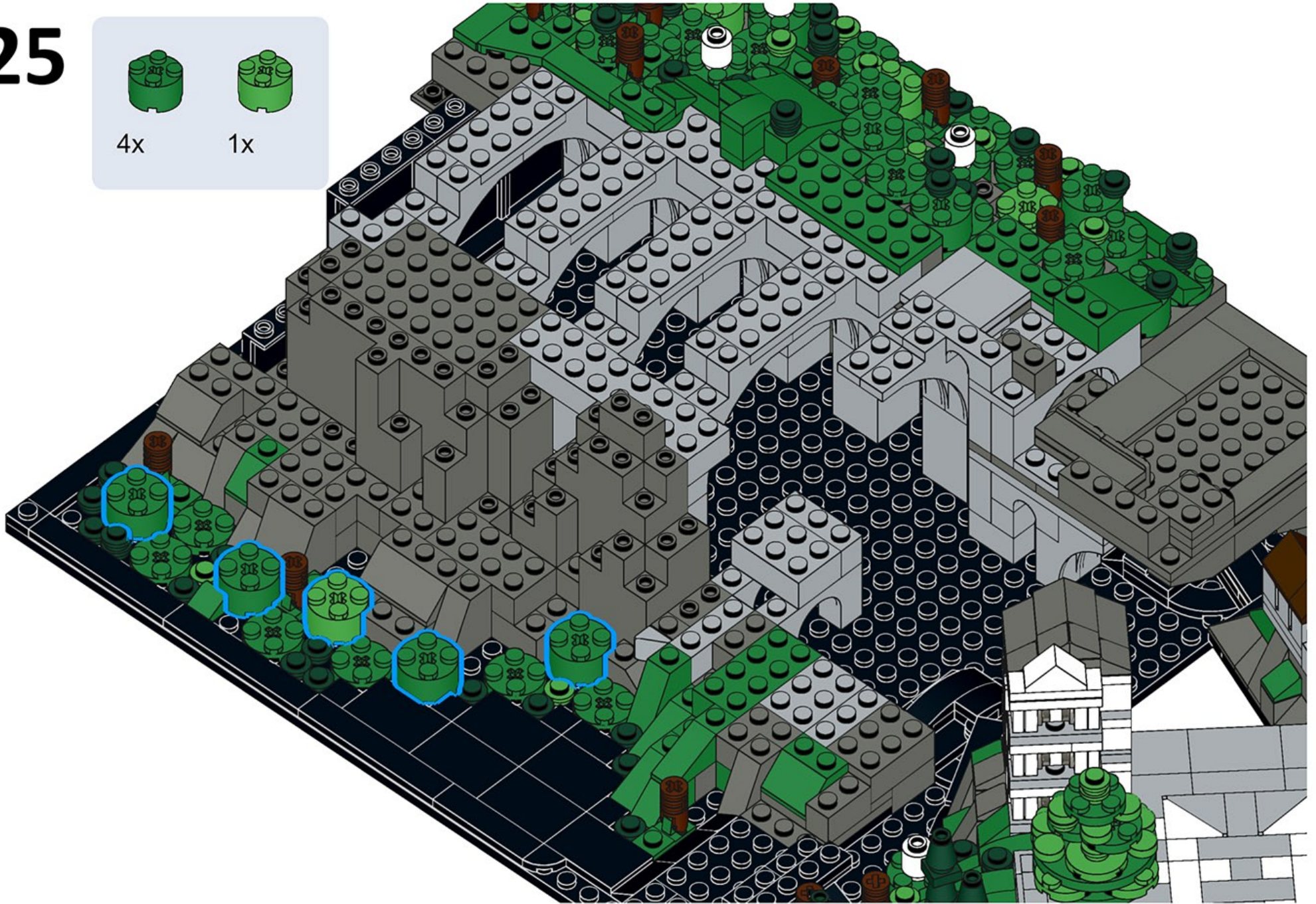
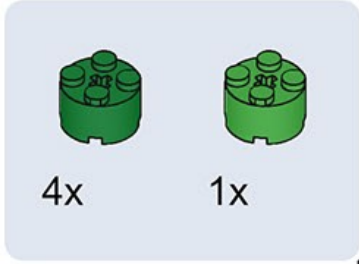
724

		
2x	16x	1x





1	2
	
2x	

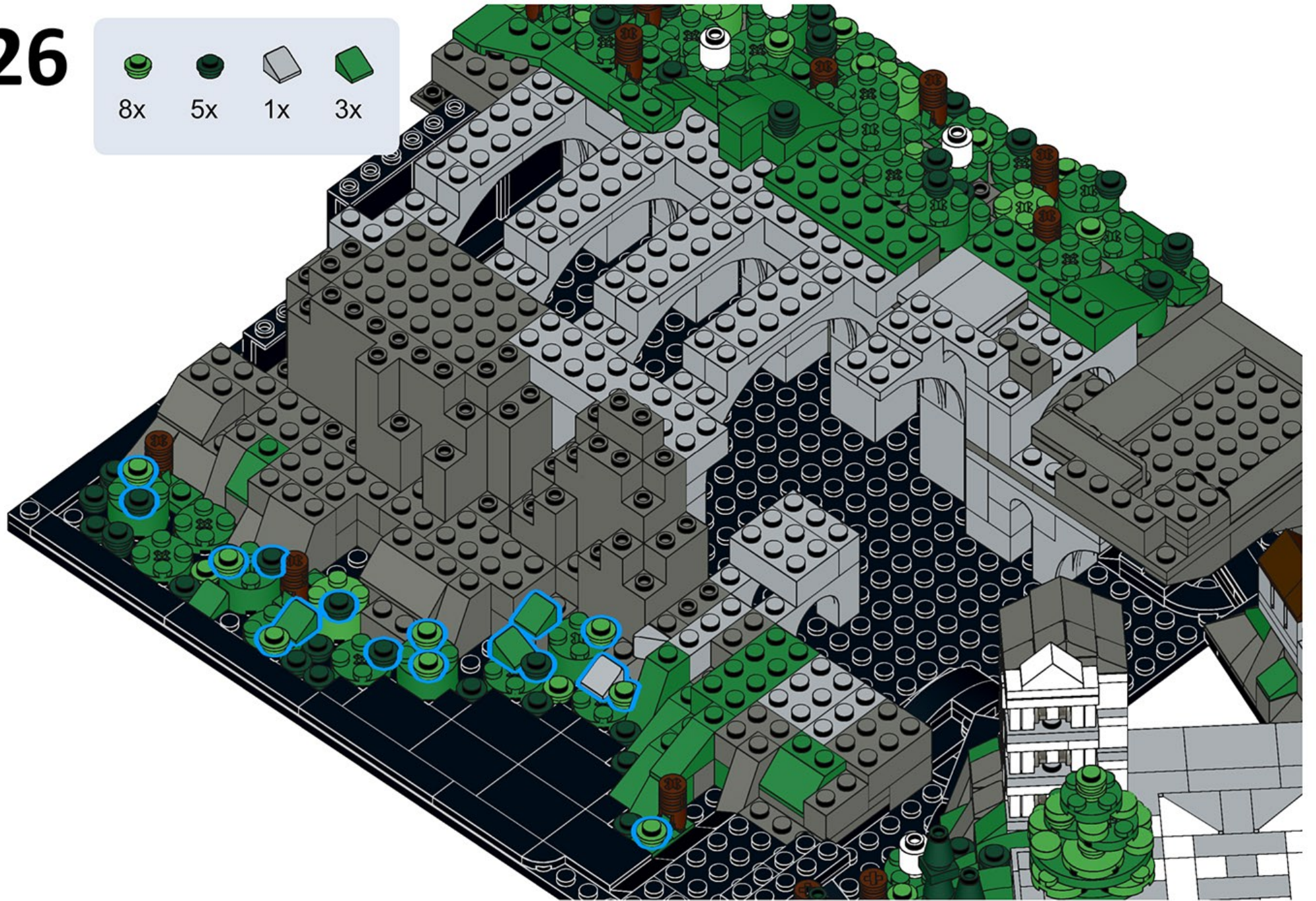


725

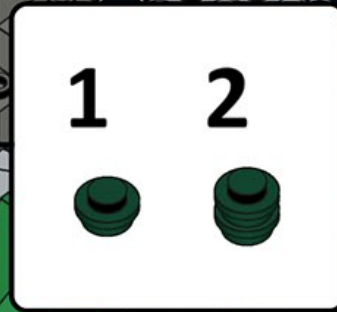
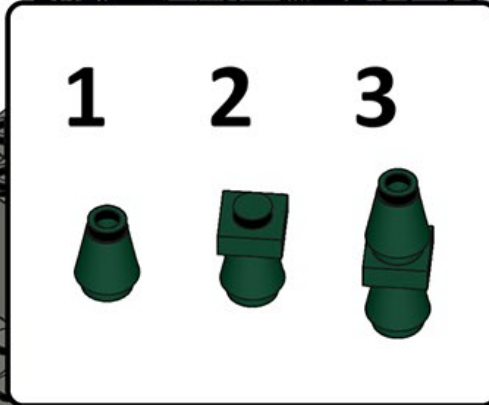
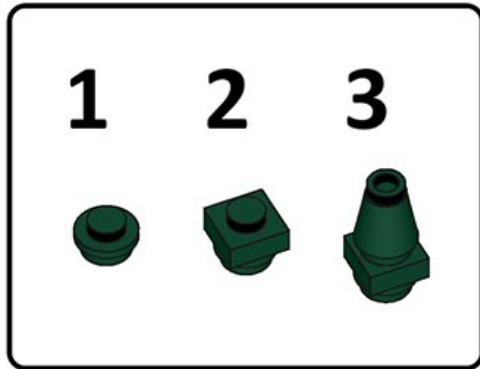
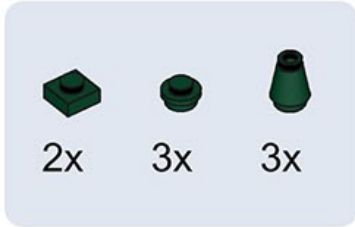


726

			
8x	5x	1x	3x



727



728



2x



2x

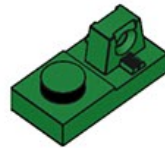


2x

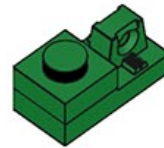


2x

1



2



3



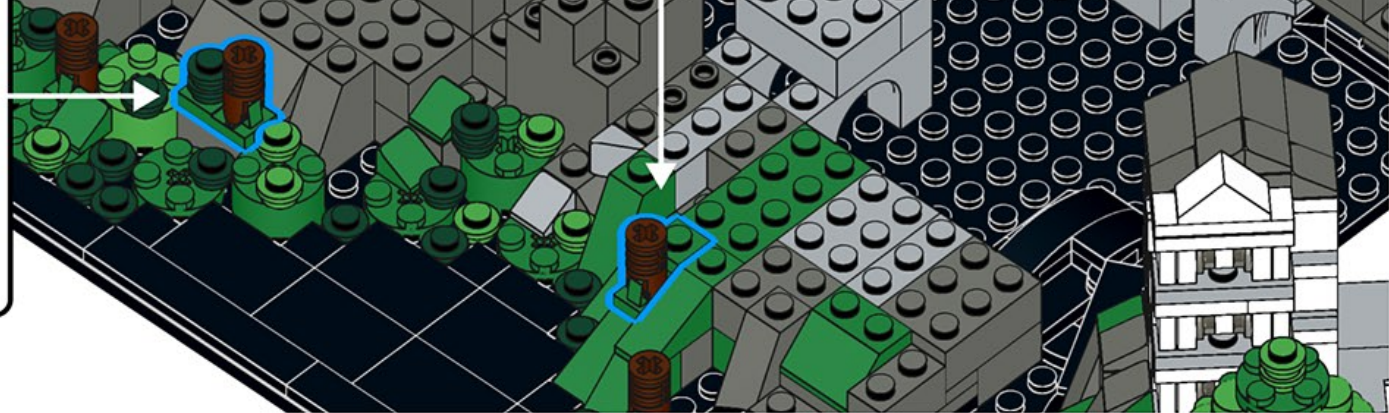
1



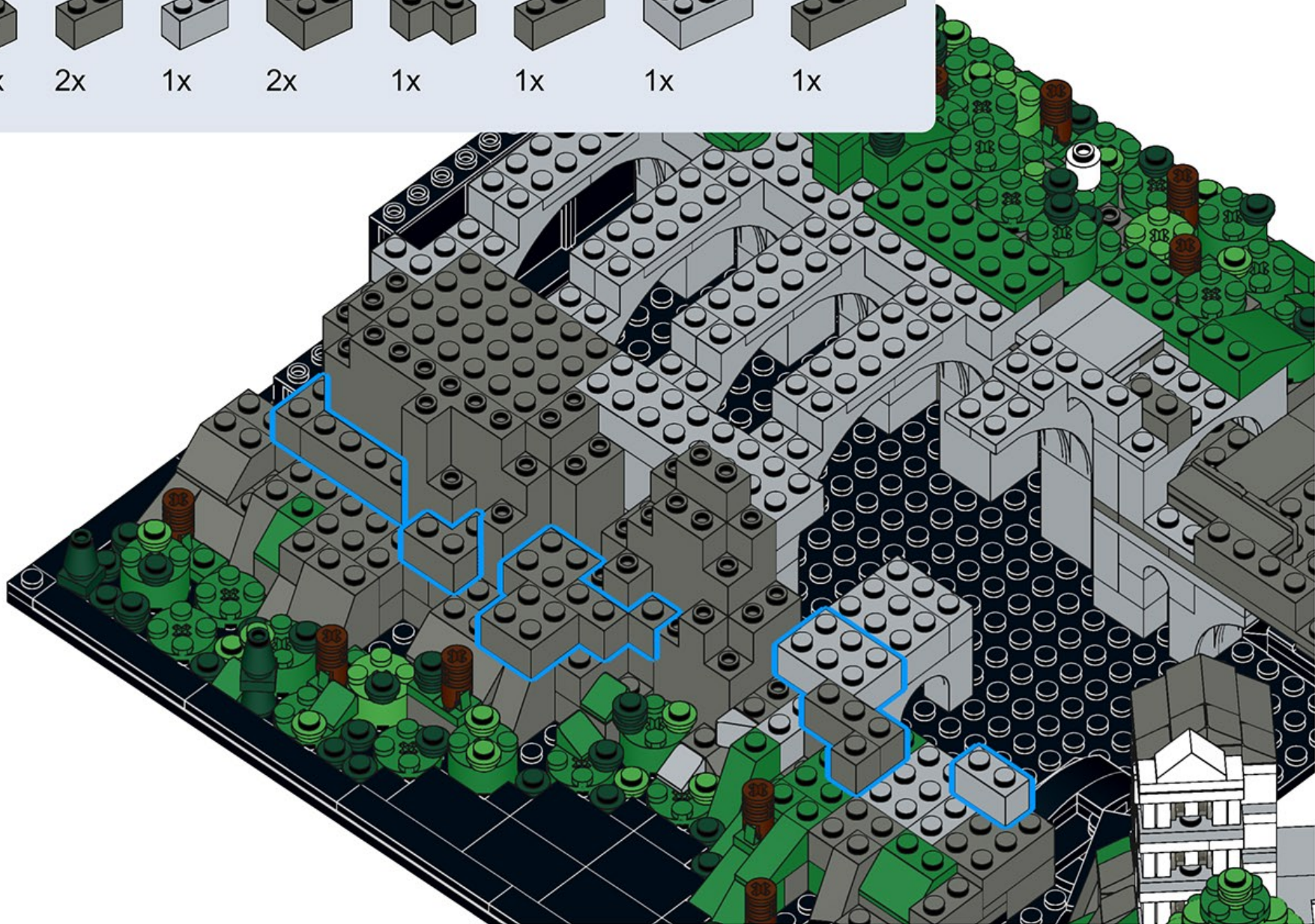
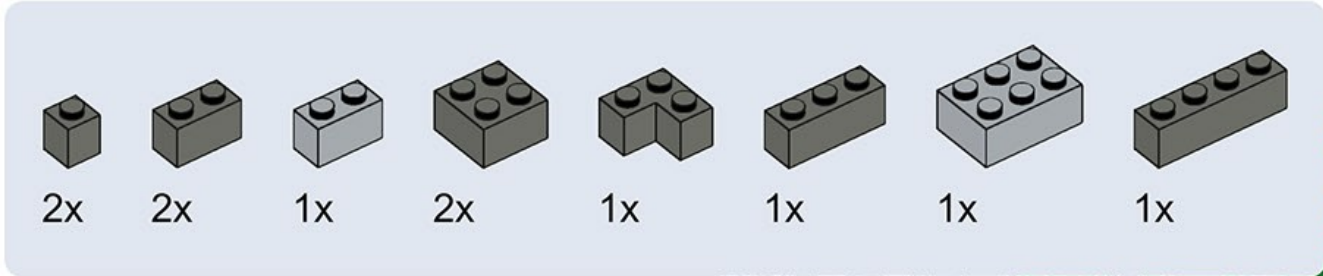
2



3



729



730



1x



1x



3x



2x



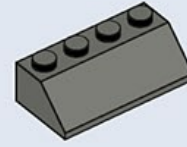
1x



1x



1x



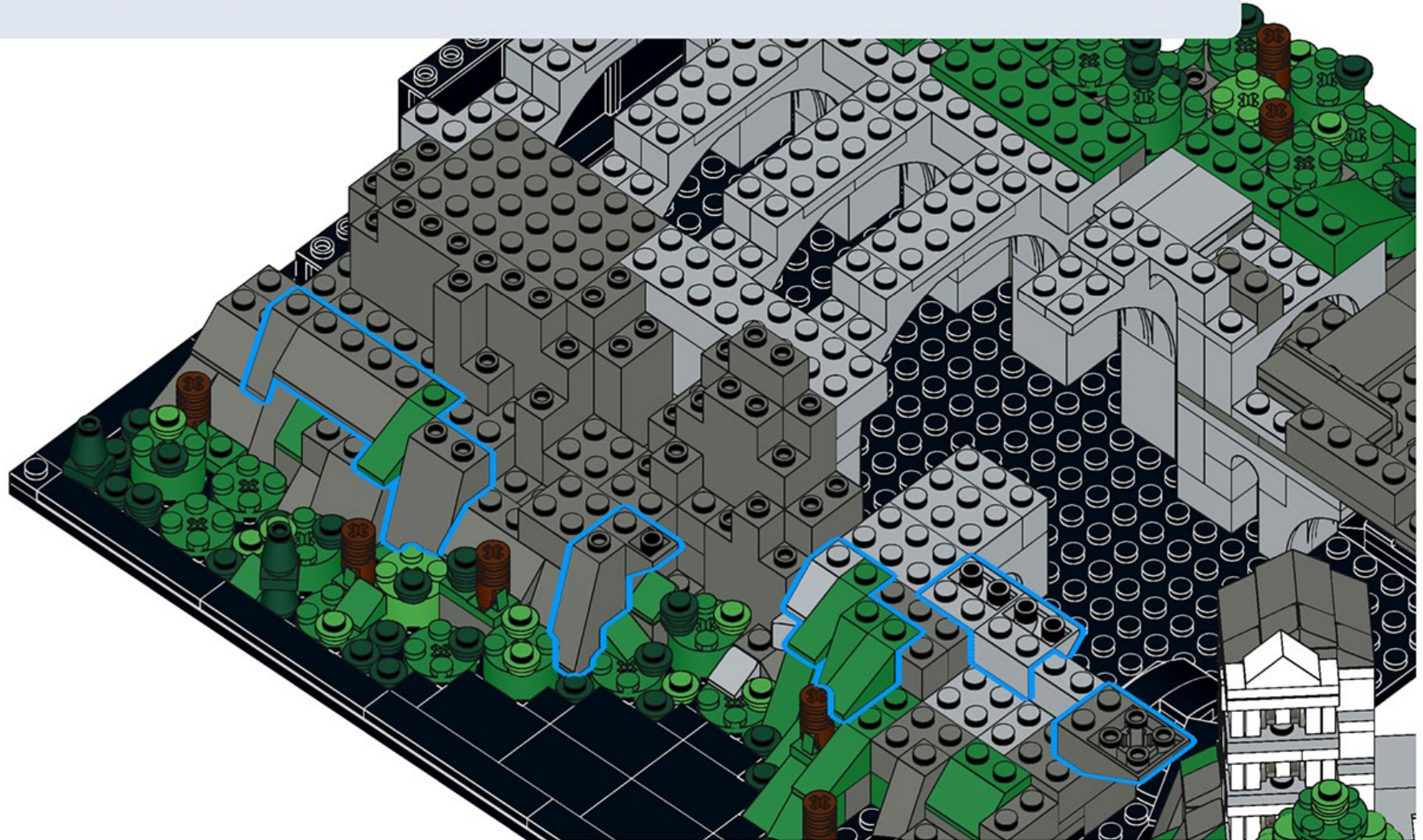
1x



1x

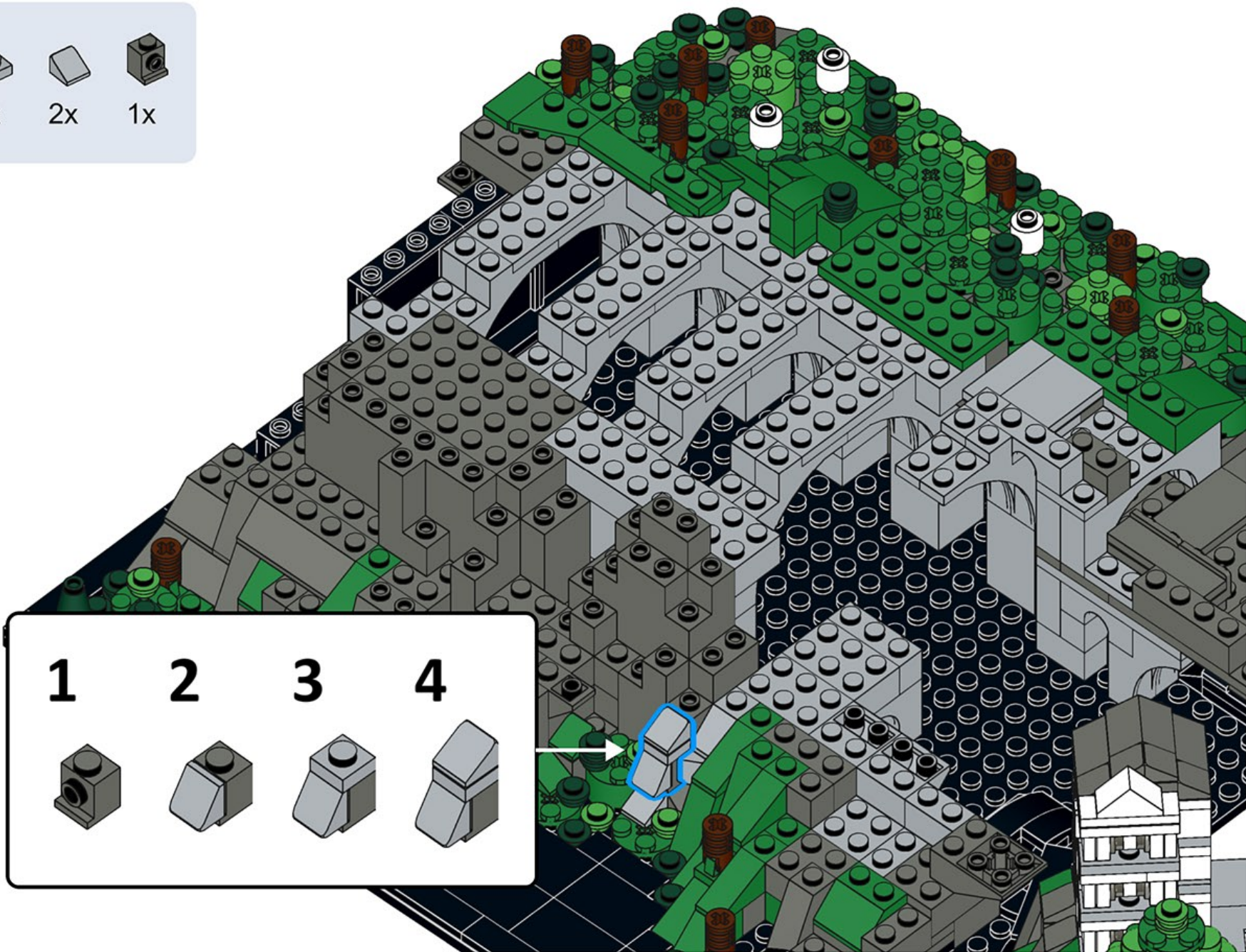
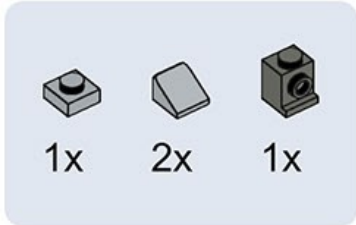


1x

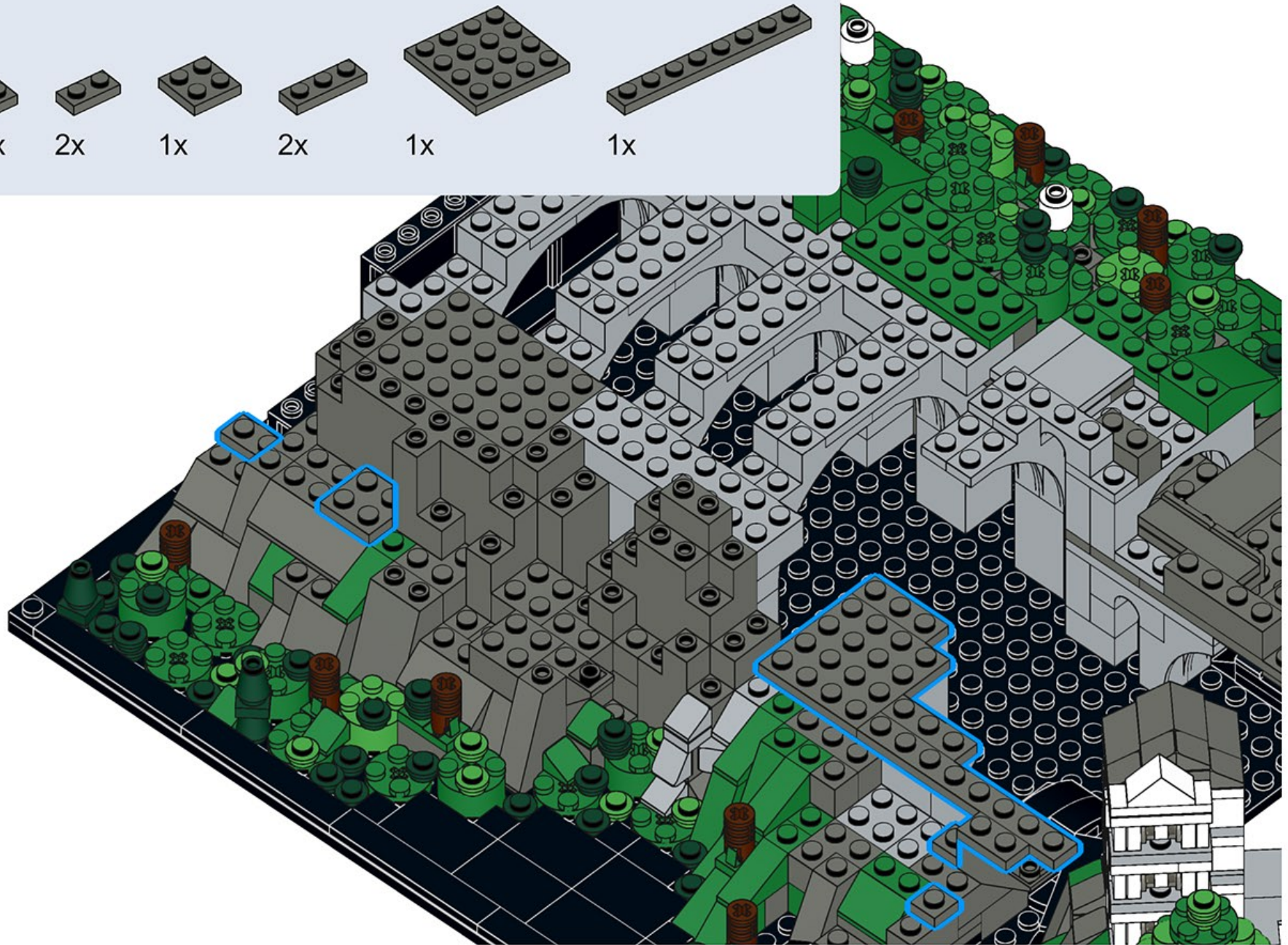
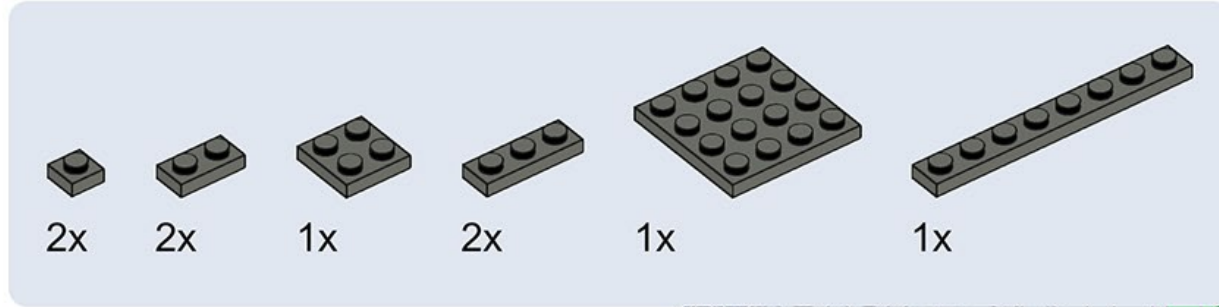


731

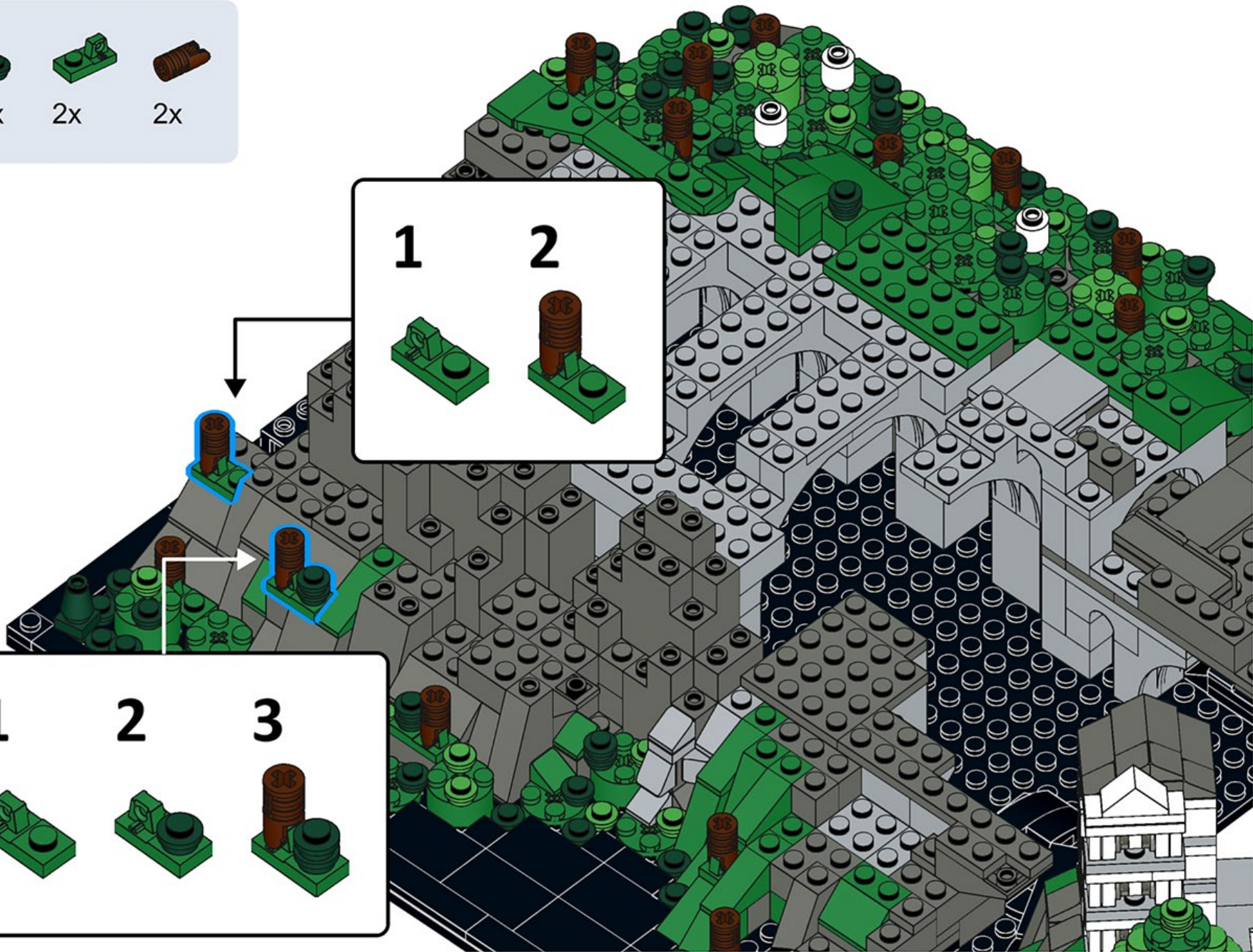
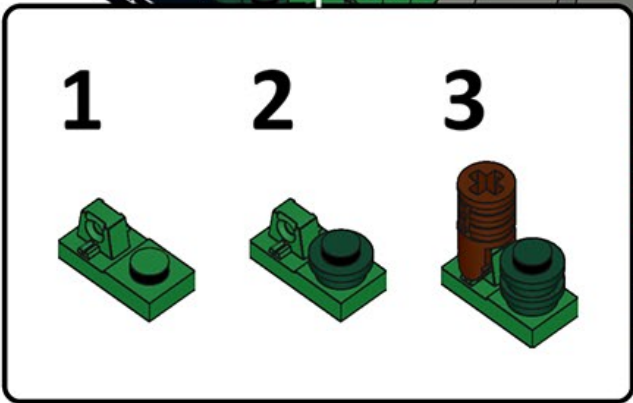
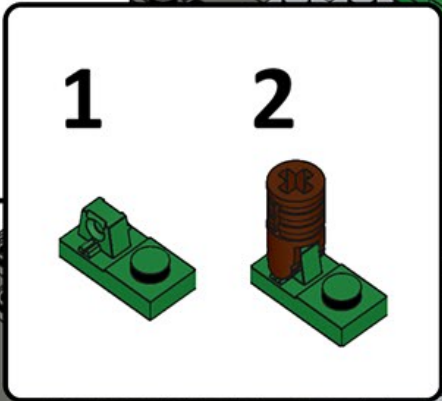
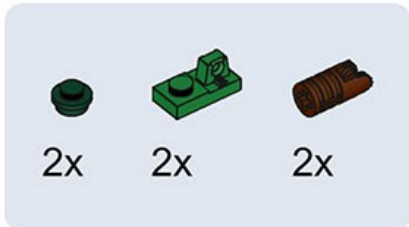
1x 2x 1x



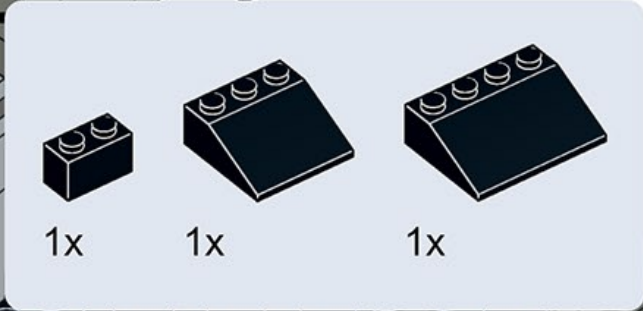
732



733

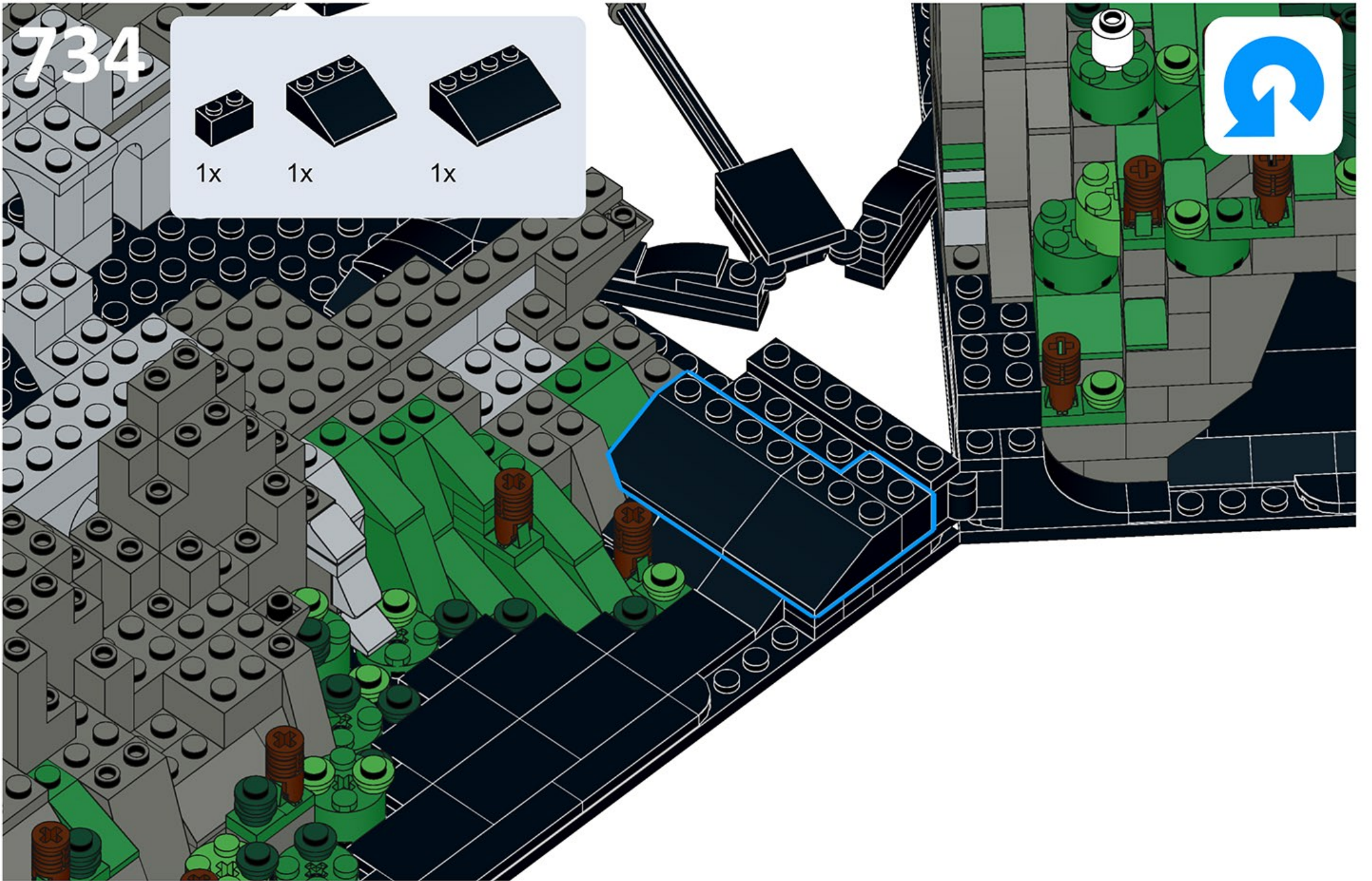


734



1x 1x 1x

This block contains a parts list for step 734. It features three black LEGO Technic parts: a 1x2 brick with a hole, a 1x3 Technic brick with a hole, and a 1x4 Technic brick with a hole. Each part is accompanied by the quantity '1x'.



735



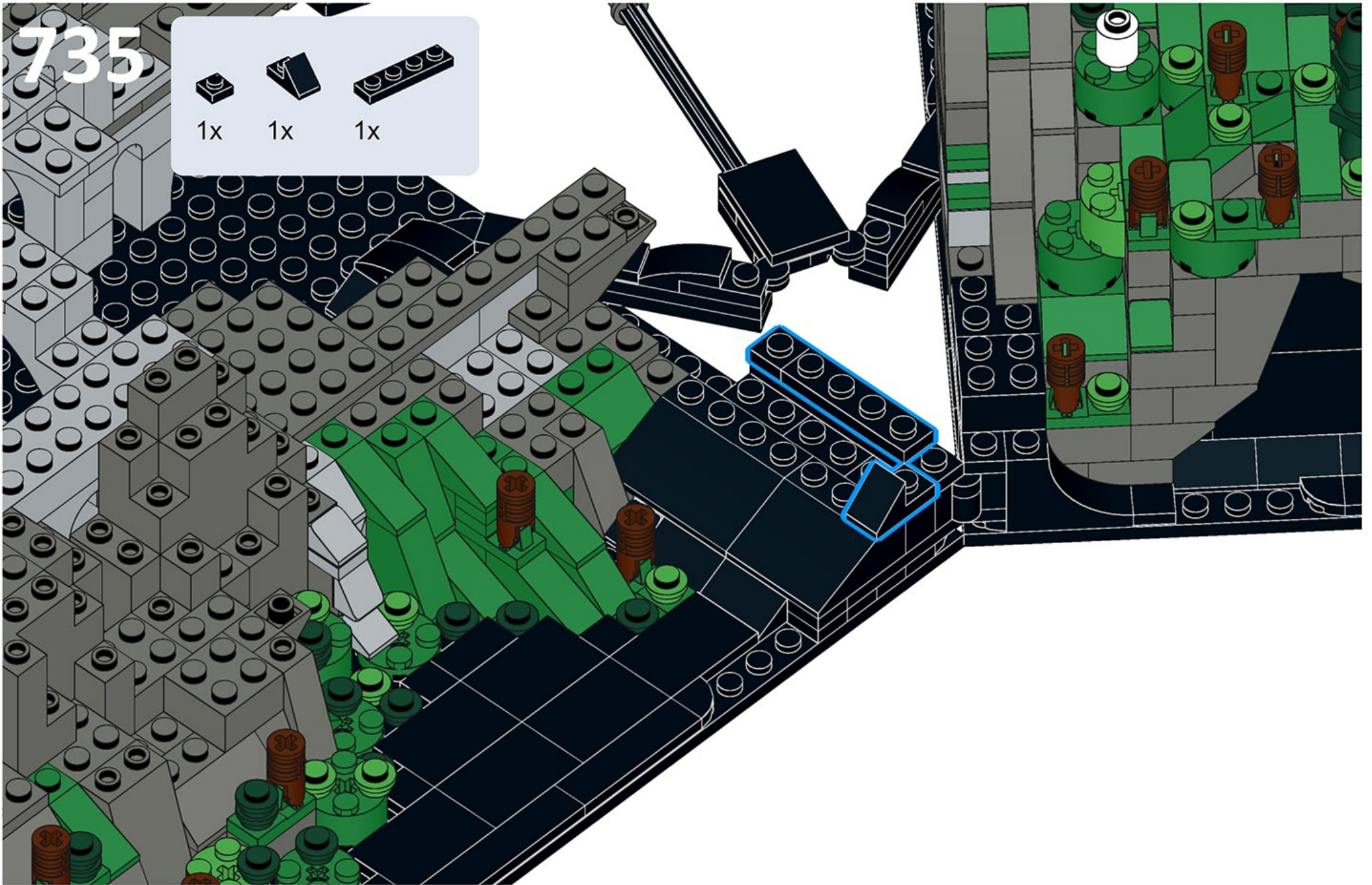
1x



1x

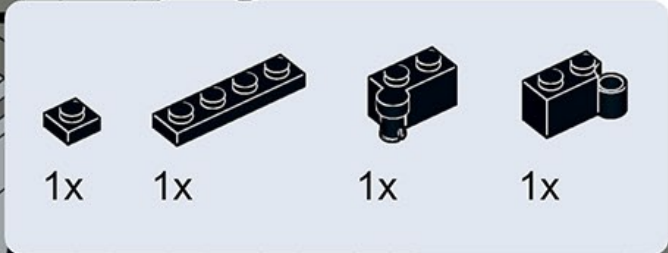


1x

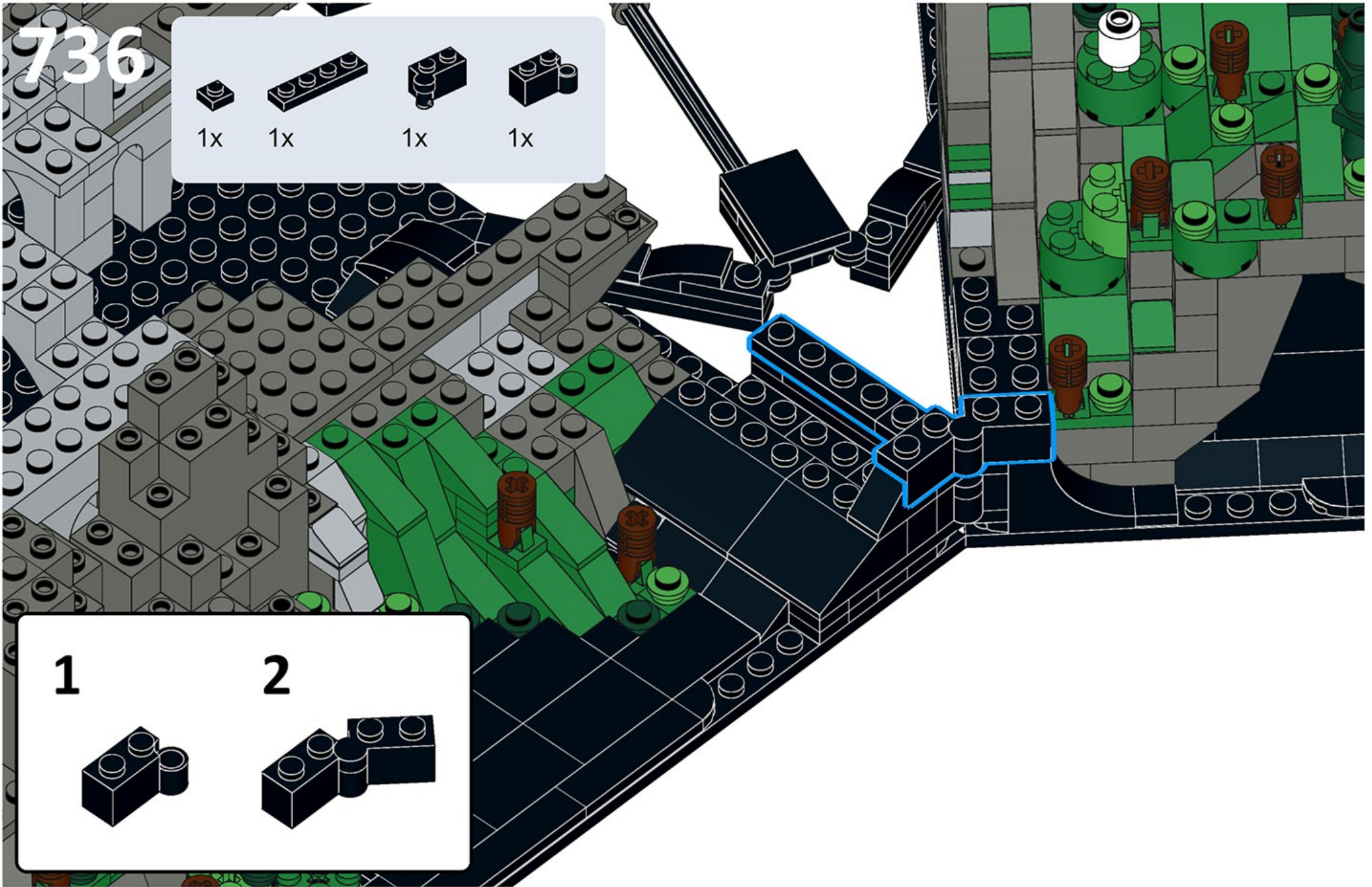
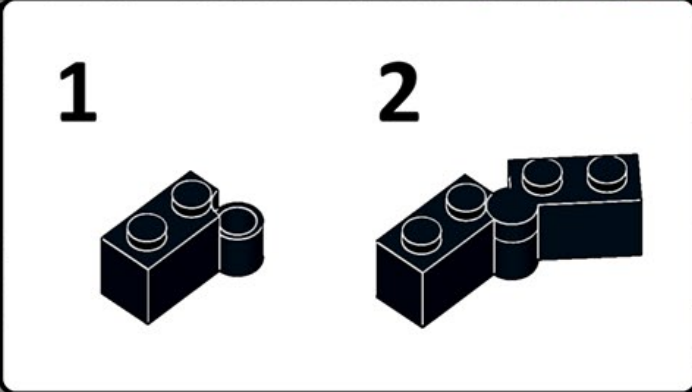


736

1x 1x 1x 1x



1 2



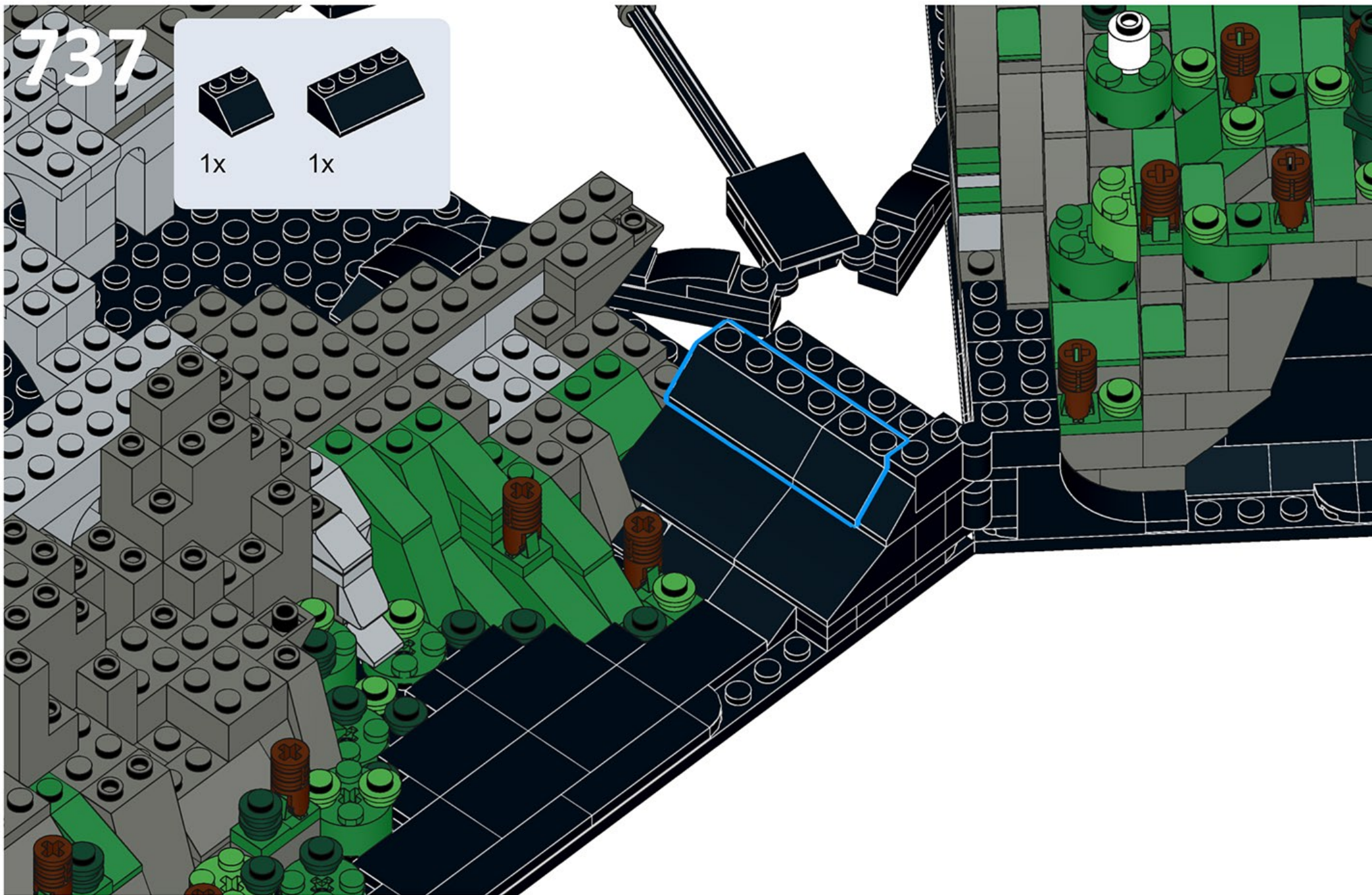
737



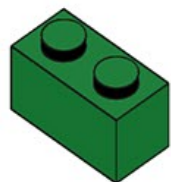
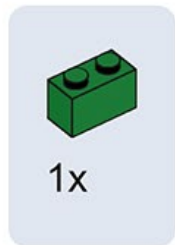
1x



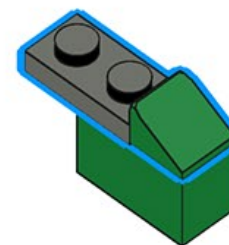
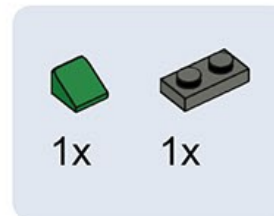
1x



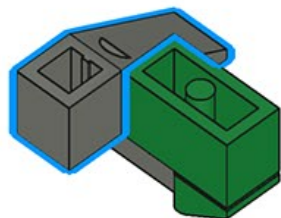
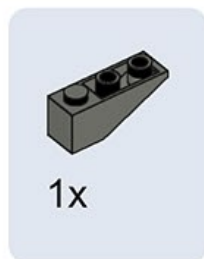
738



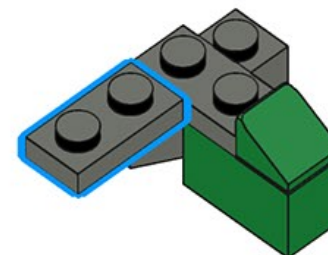
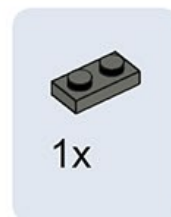
739



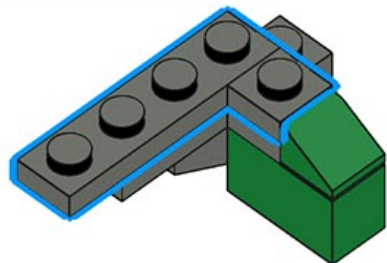
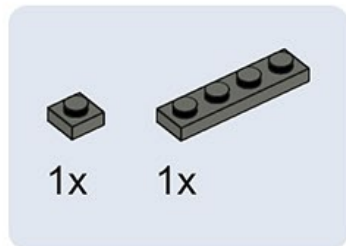
740



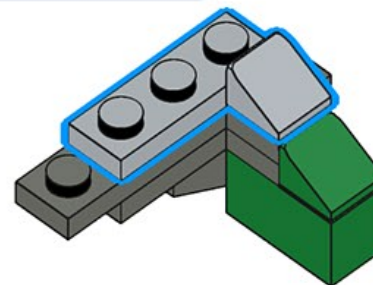
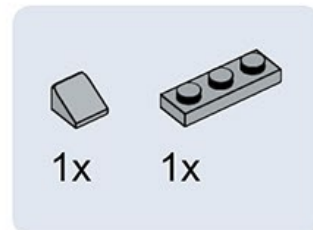
741



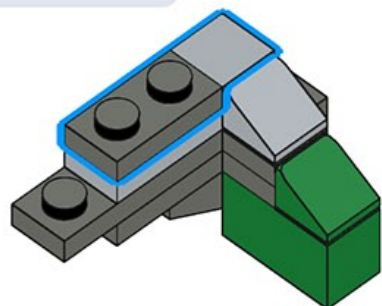
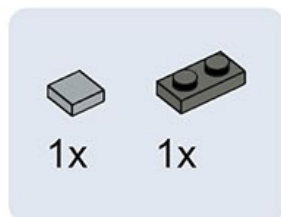
742



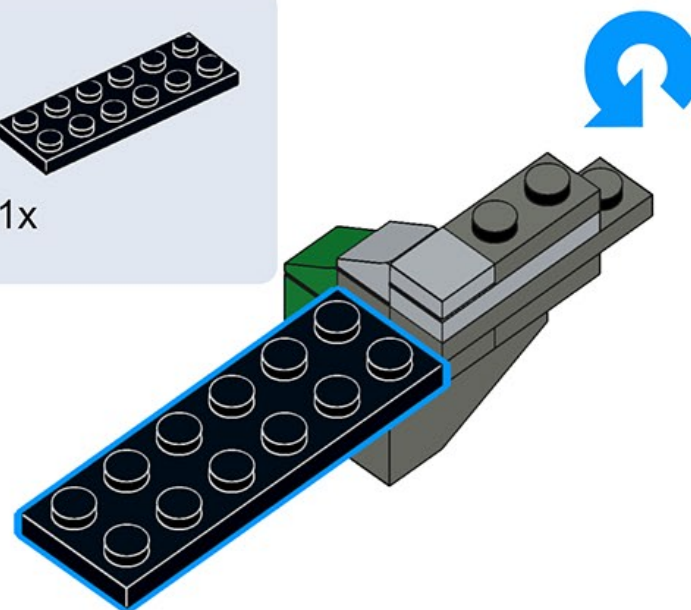
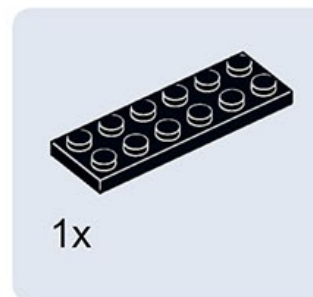
743



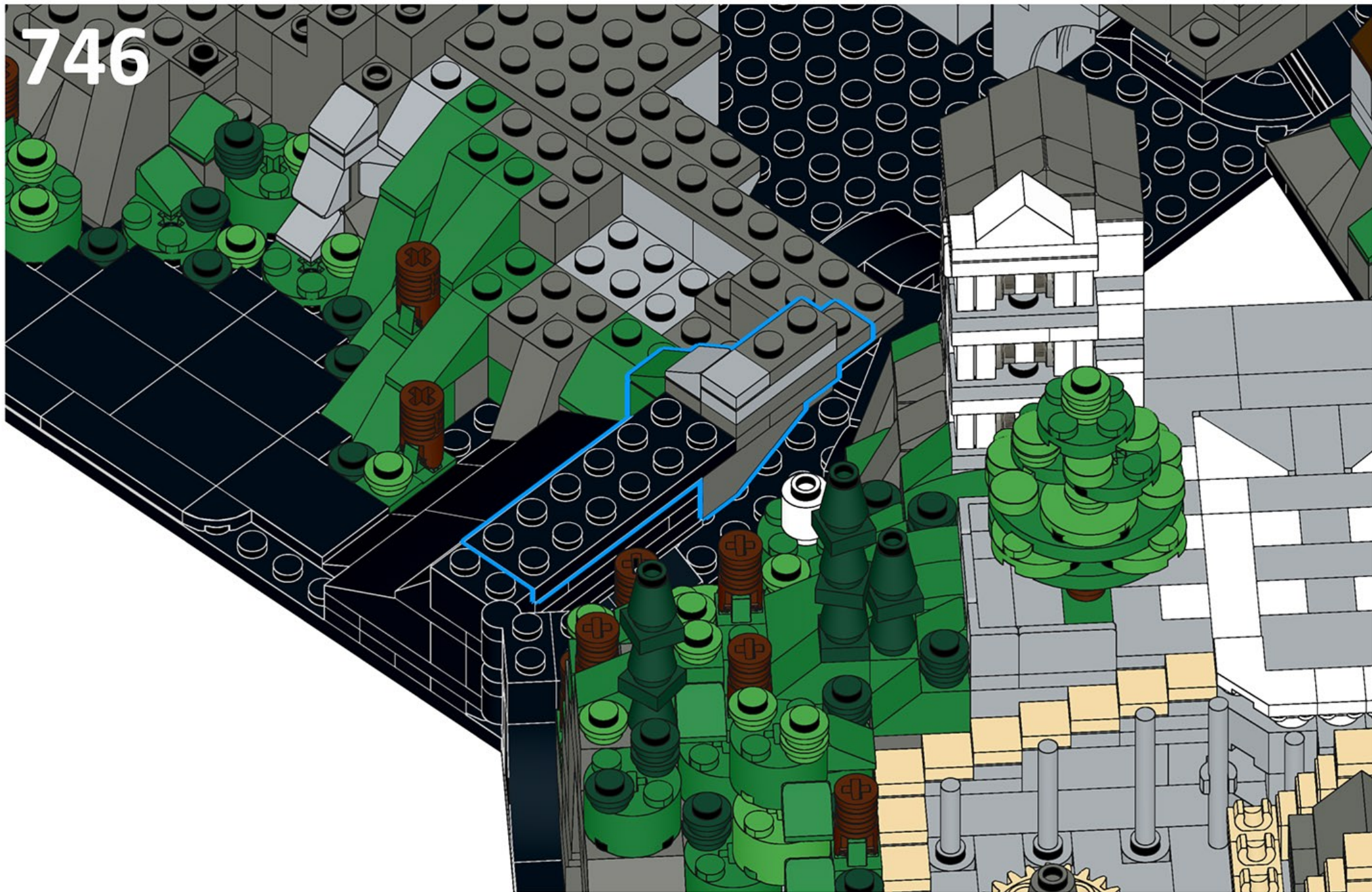
744



745



746



747



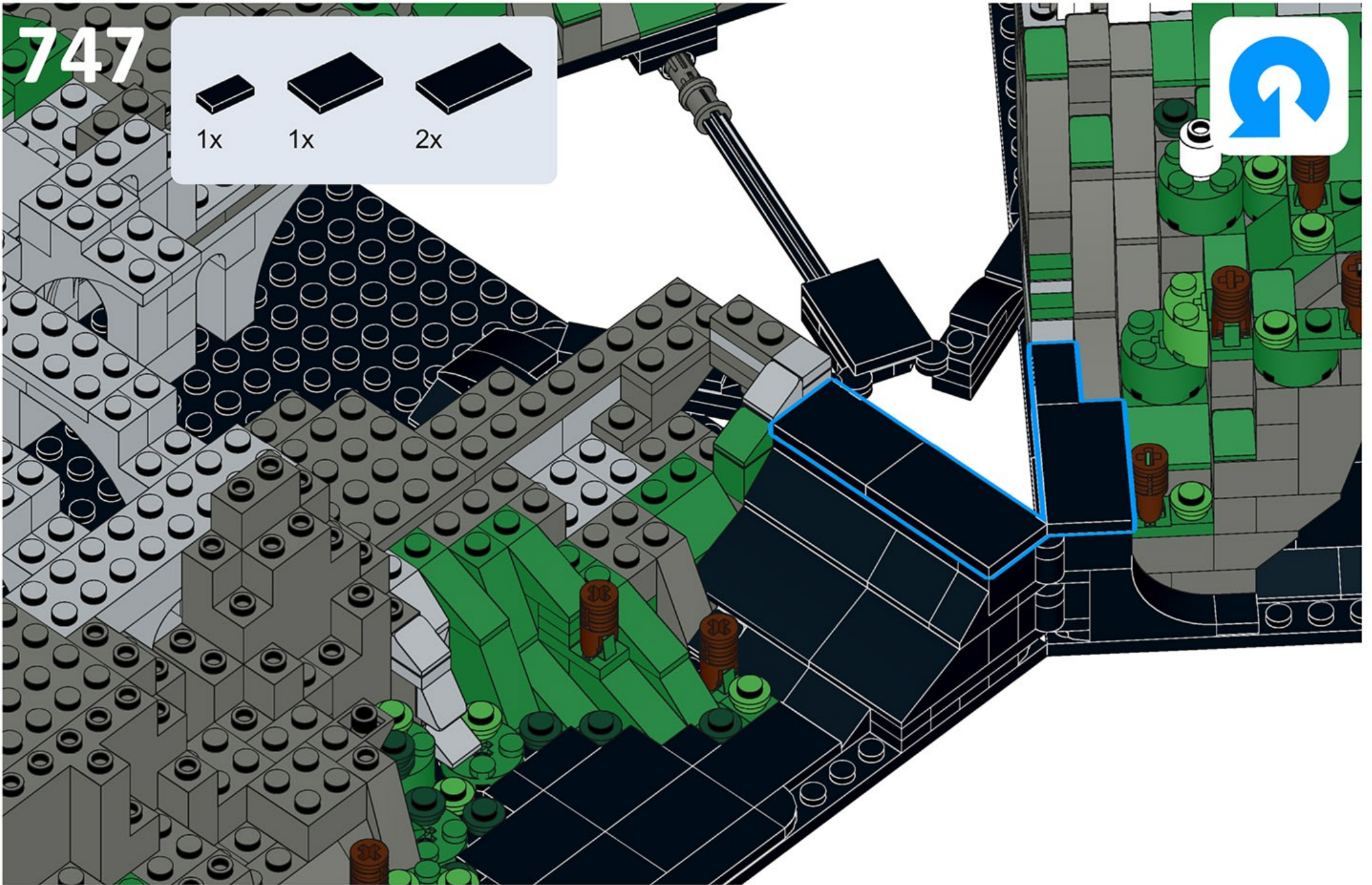
1x



1x



2x



748



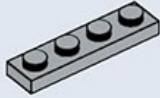
1x



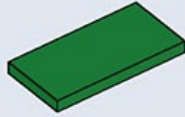
1x



1x



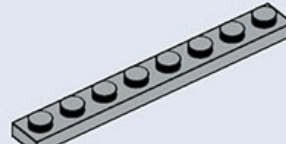
1x



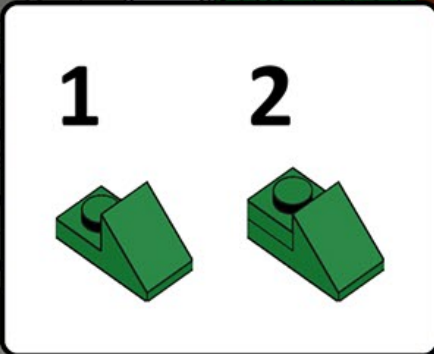
1x



1x



1x



749



1x



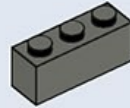
1x



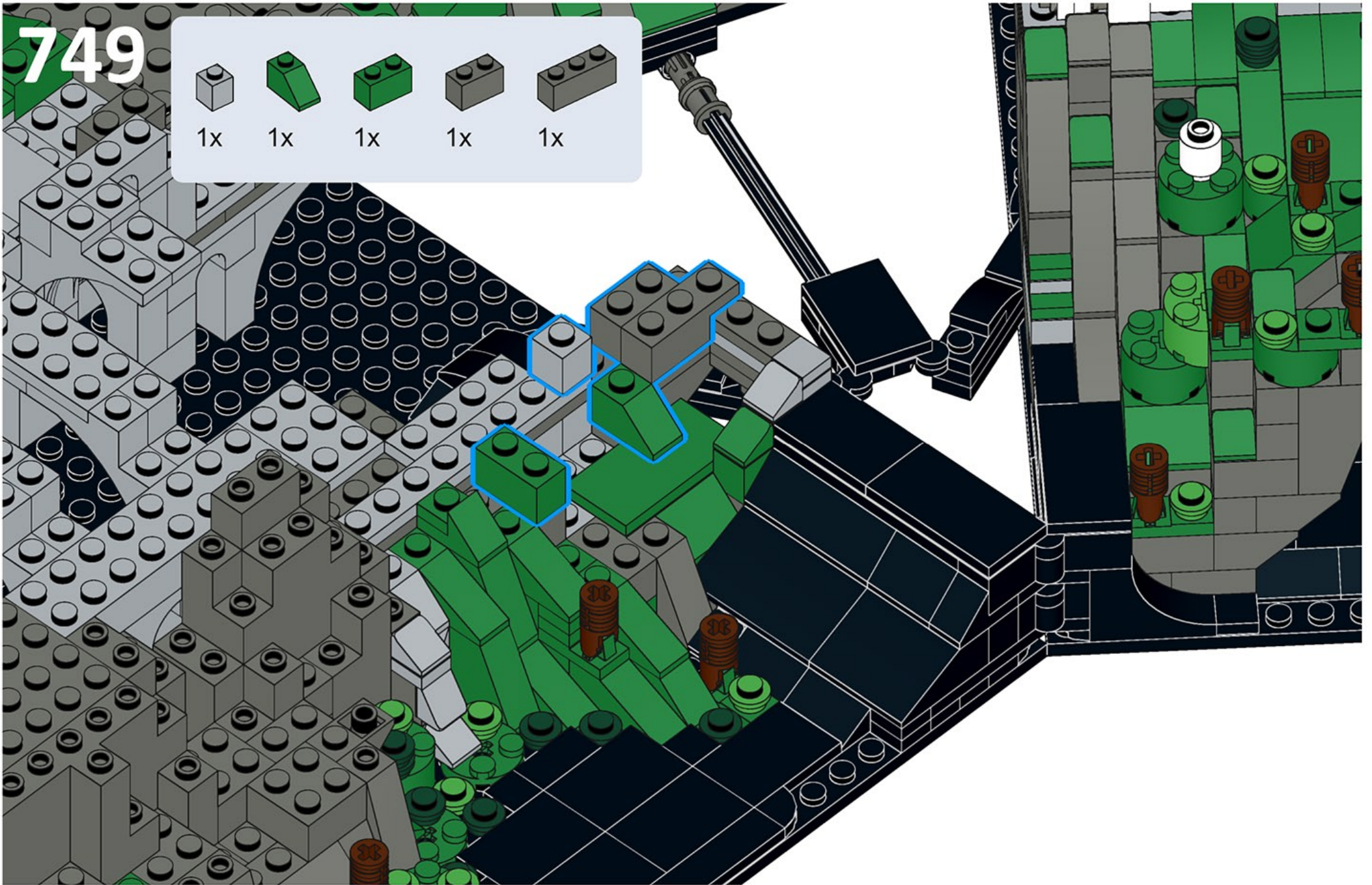
1x



1x



1x



750



2x



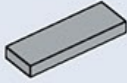
1x



1x



1x



1x



2x

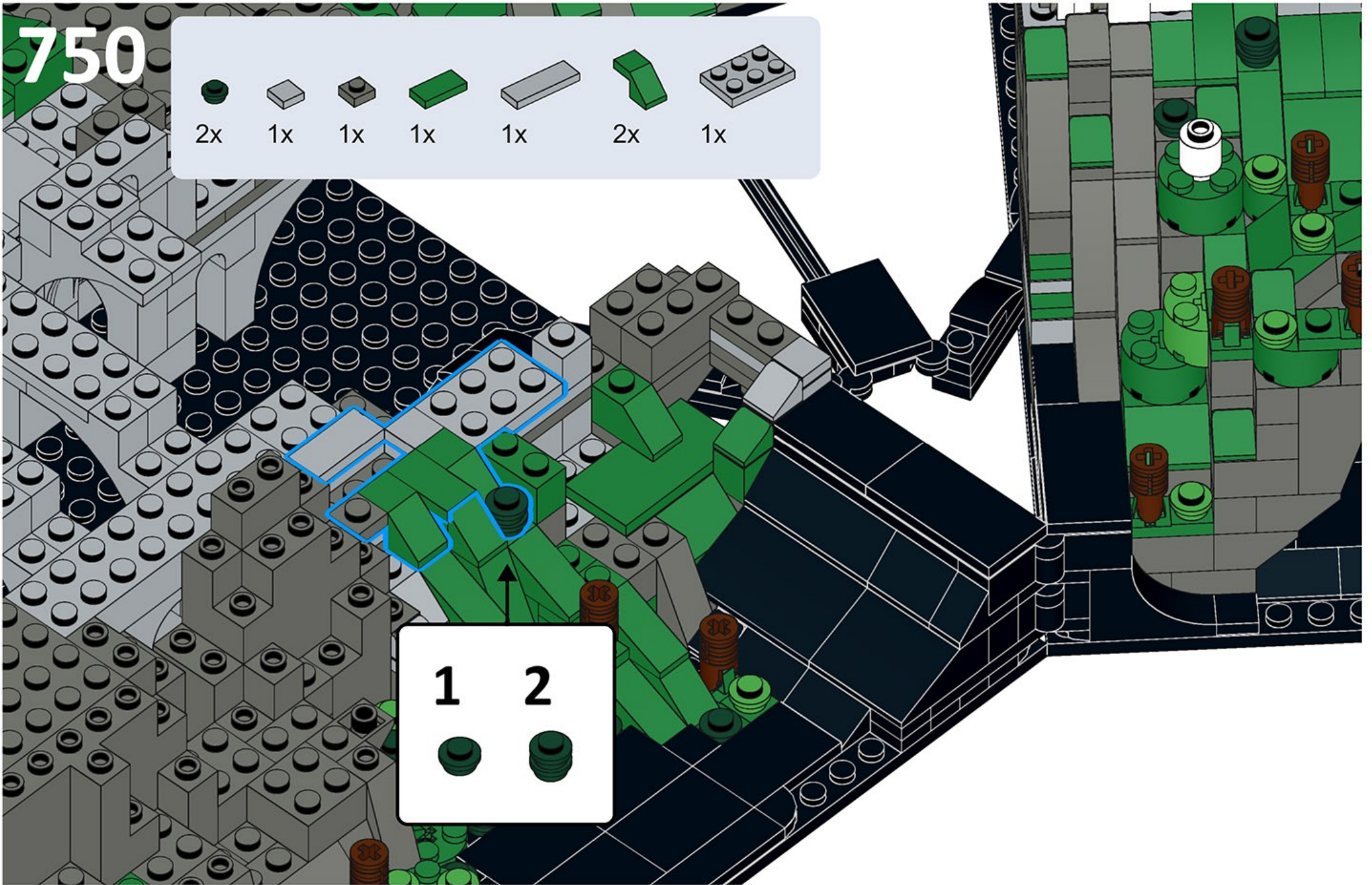


1x

1



2



751



3x



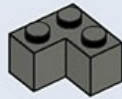
1x



1x



1x



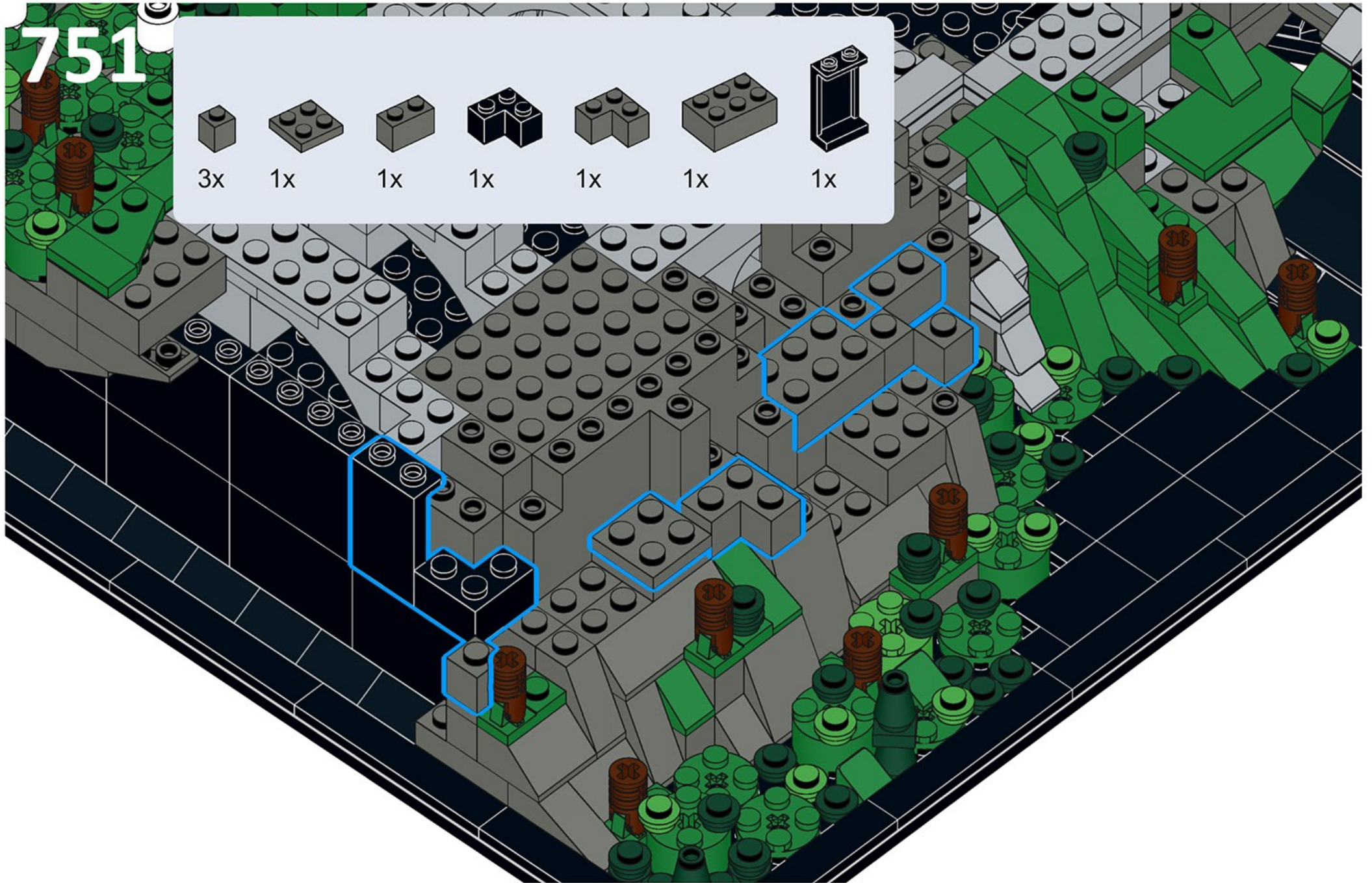
1x



1x



1x



752



2x



1x



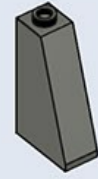
1x



1x



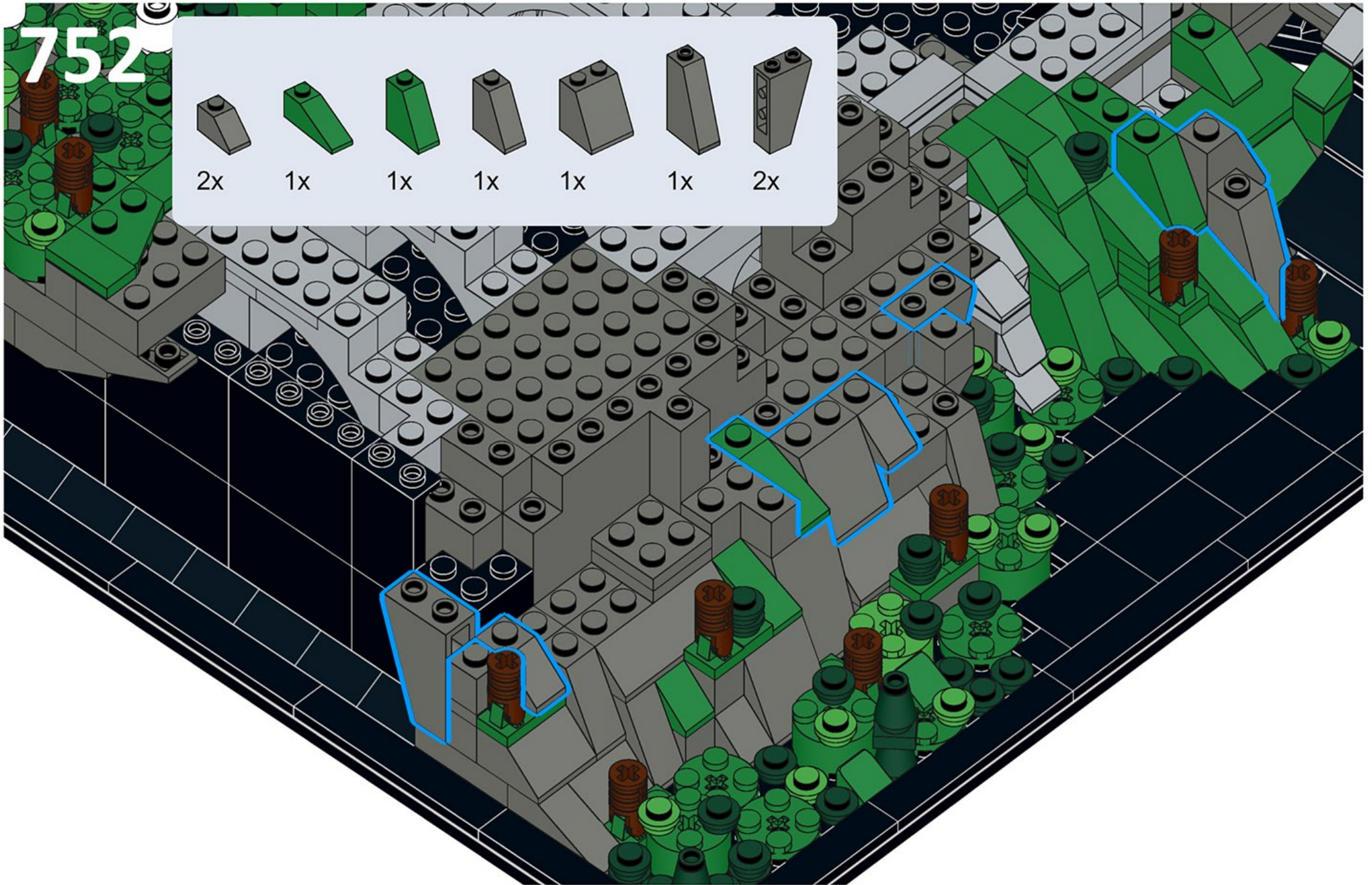
1x



1x

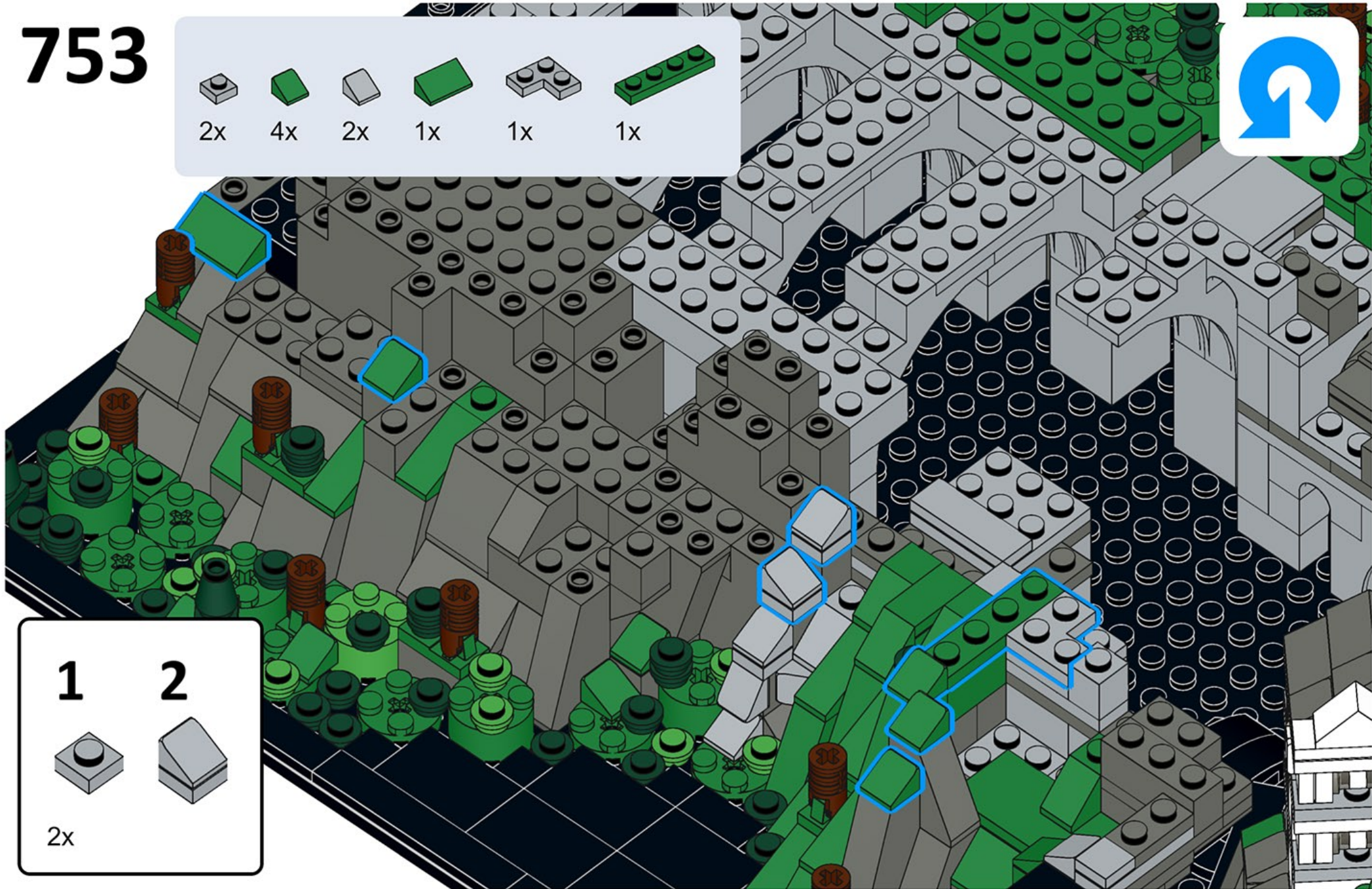
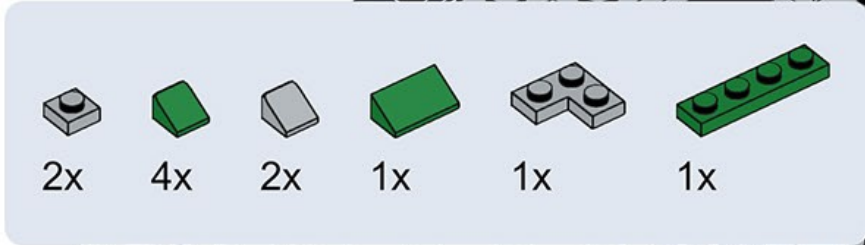


2x




753

2x 4x 2x 1x 1x 1x

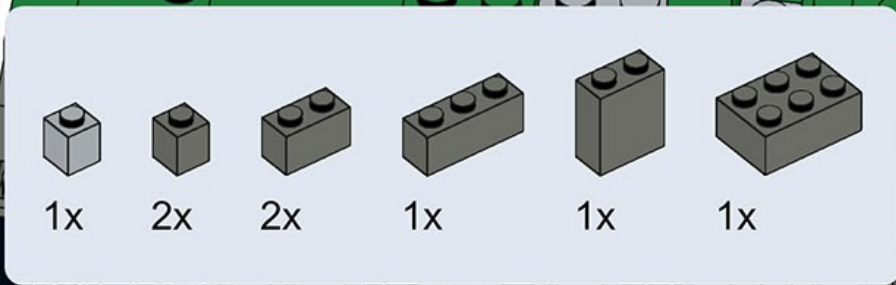


1 2



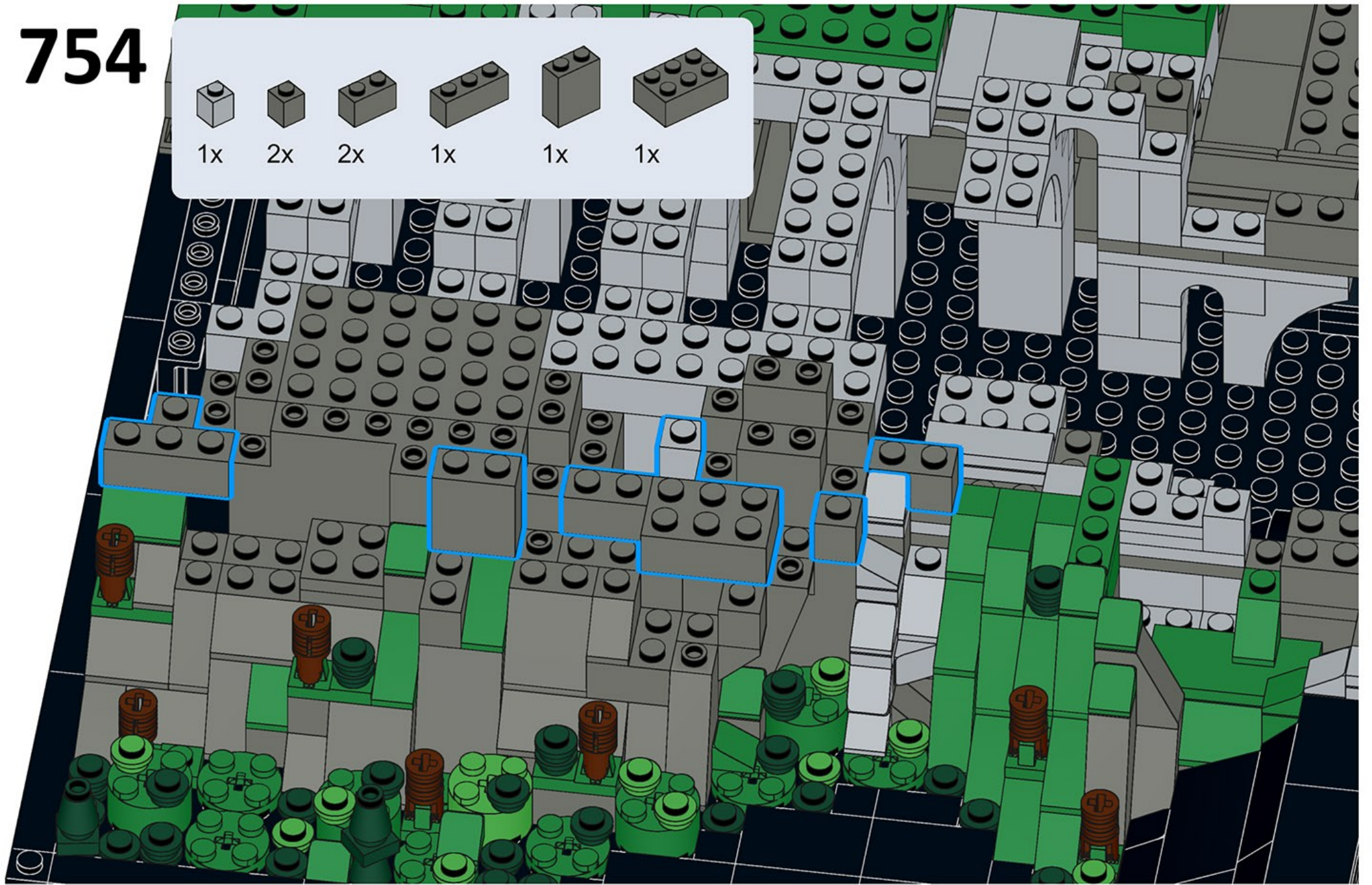
2x

754

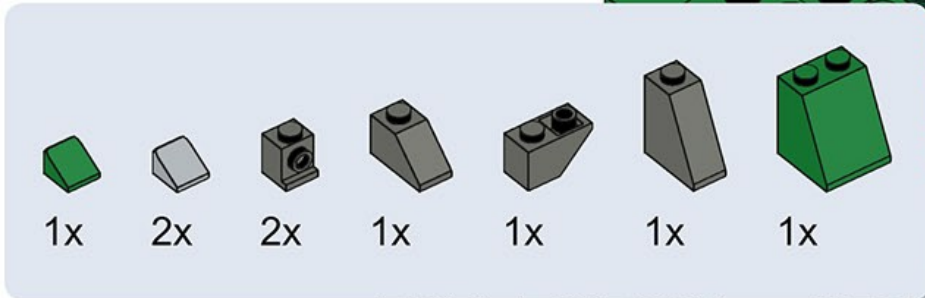


1x 2x 2x 1x 1x 1x

This block contains a list of six grey LEGO parts with their respective quantities: 1x 1x1, 2x 1x2, 2x 1x3, 1x 1x4, 1x 1x5, and 1x 1x6. Each part is shown in a perspective view above its quantity label.

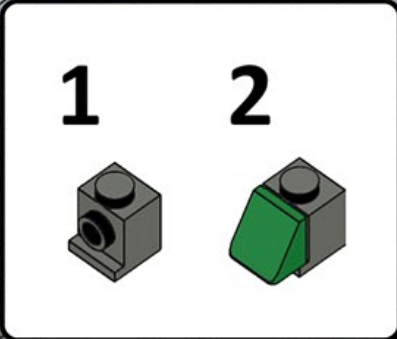
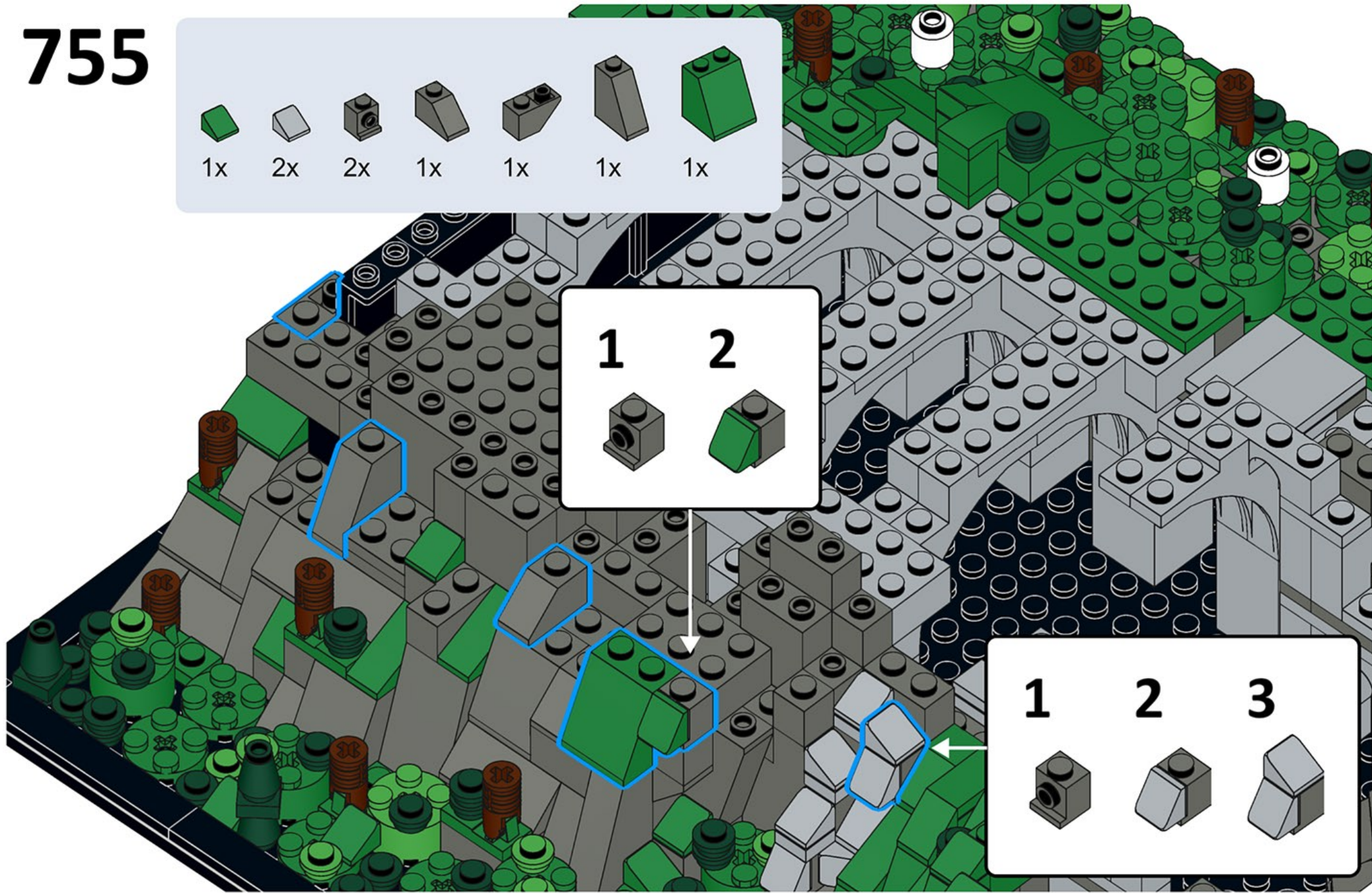


755



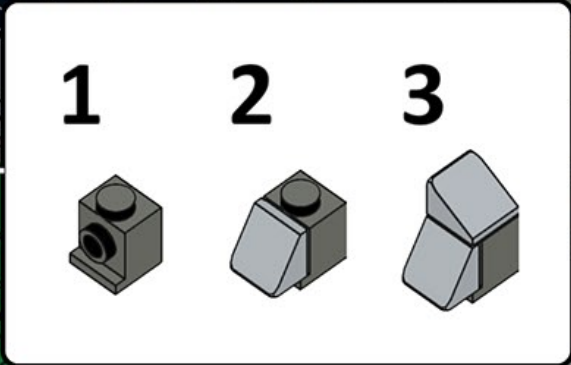
1x 2x 2x 1x 1x 1x 1x

This block contains a list of seven LEGO parts with their respective quantities: a small green wedge (1x), a white wedge (2x), a grey 1x2 brick with a hole (2x), a grey 1x2 brick with a hole (1x), a grey 1x2 brick with a hole (1x), a grey 1x2 brick with a hole (1x), and a green 1x2 brick with a hole (1x).



1 2

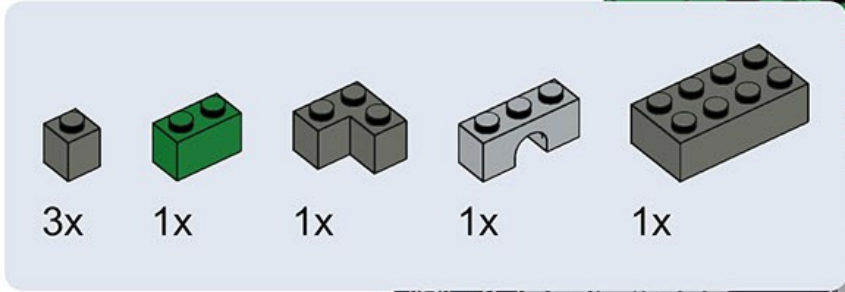
This callout shows two parts: a grey 1x2 brick with a hole (labeled '1') and a green 1x2 brick with a hole (labeled '2'). A white arrow points from the bottom of this callout to the assembly point in the main diagram.



1 2 3

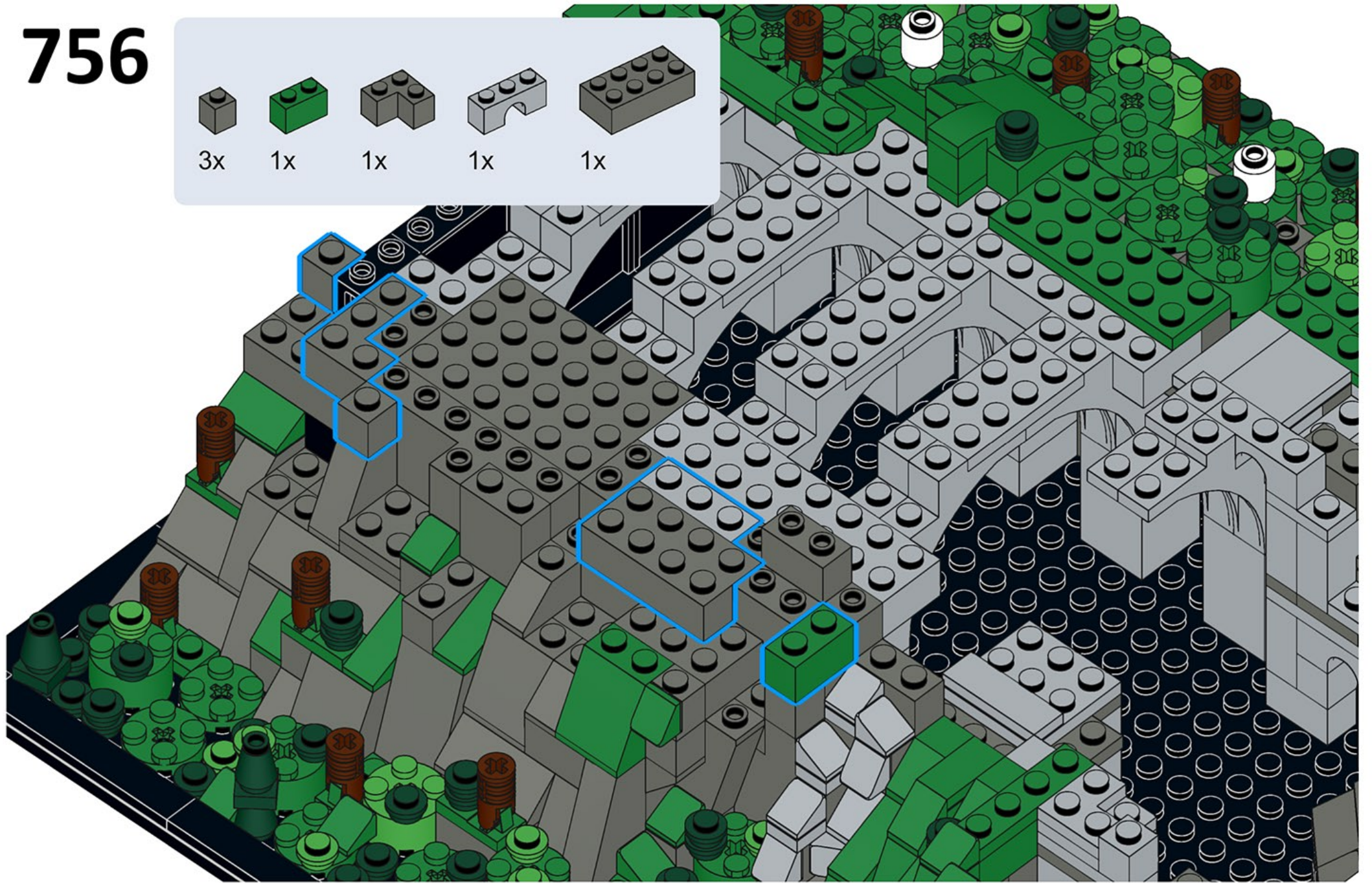
This callout shows three different grey 1x2 bricks with holes, labeled '1', '2', and '3'. A white arrow points from the right side of this callout to the assembly point in the main diagram.

756

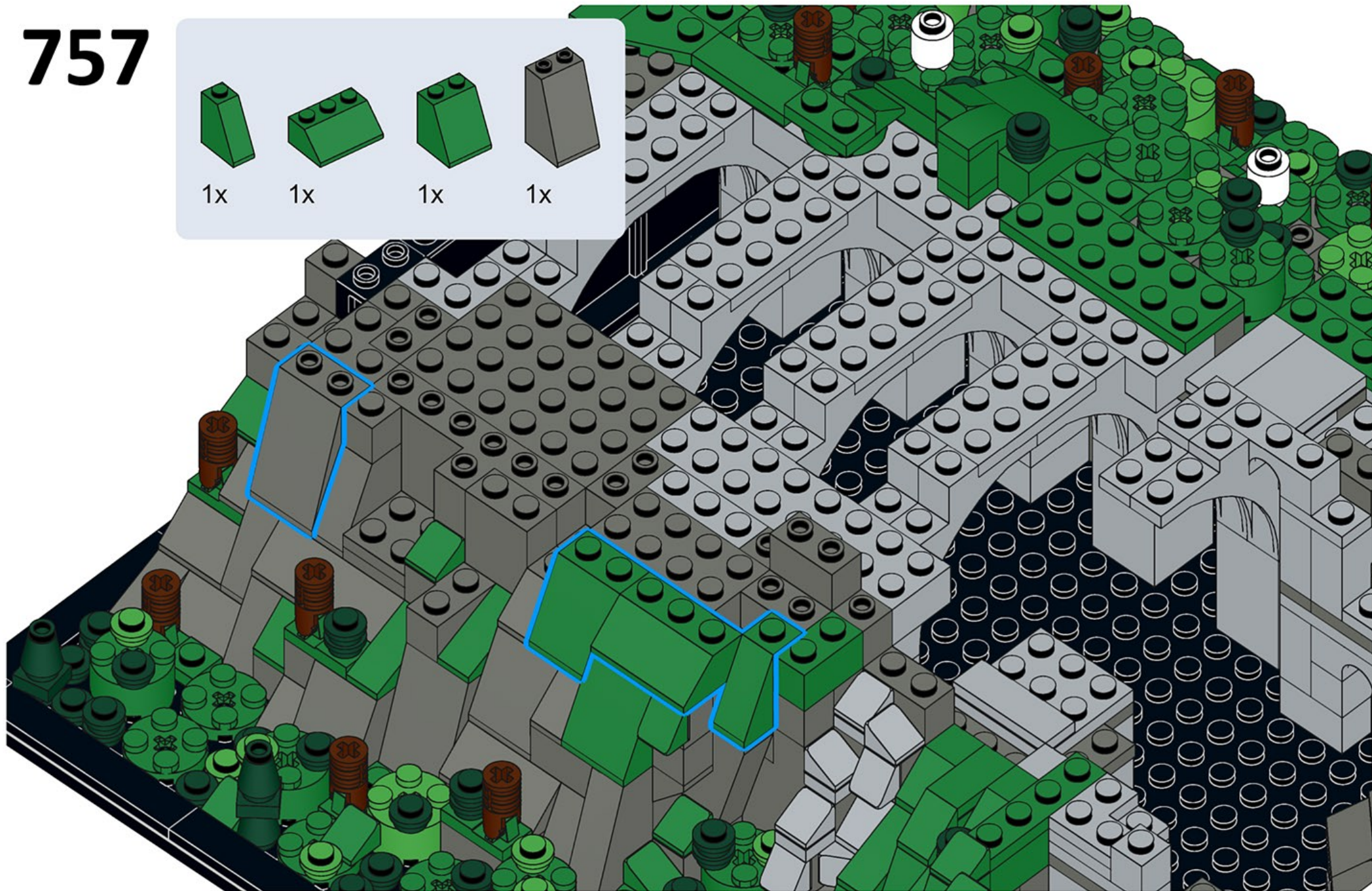
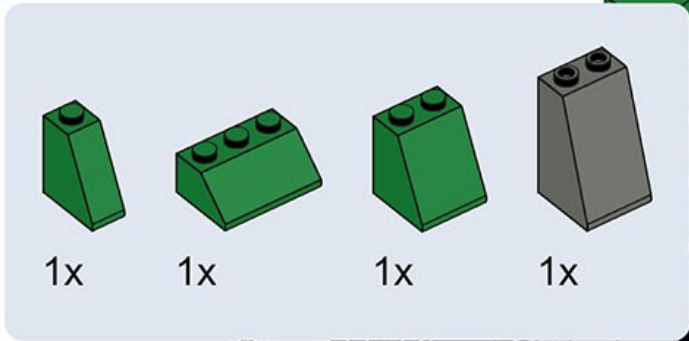


3x 1x 1x 1x 1x

This block contains a parts list for step 756. It features five small images of LEGO parts with their respective quantities listed below them: a grey 1x1 brick (3x), a green 1x2 brick (1x), a grey 1x2 L-shaped brick (1x), a grey 1x2 brick with a hole (1x), and a grey 1x4 brick (1x).

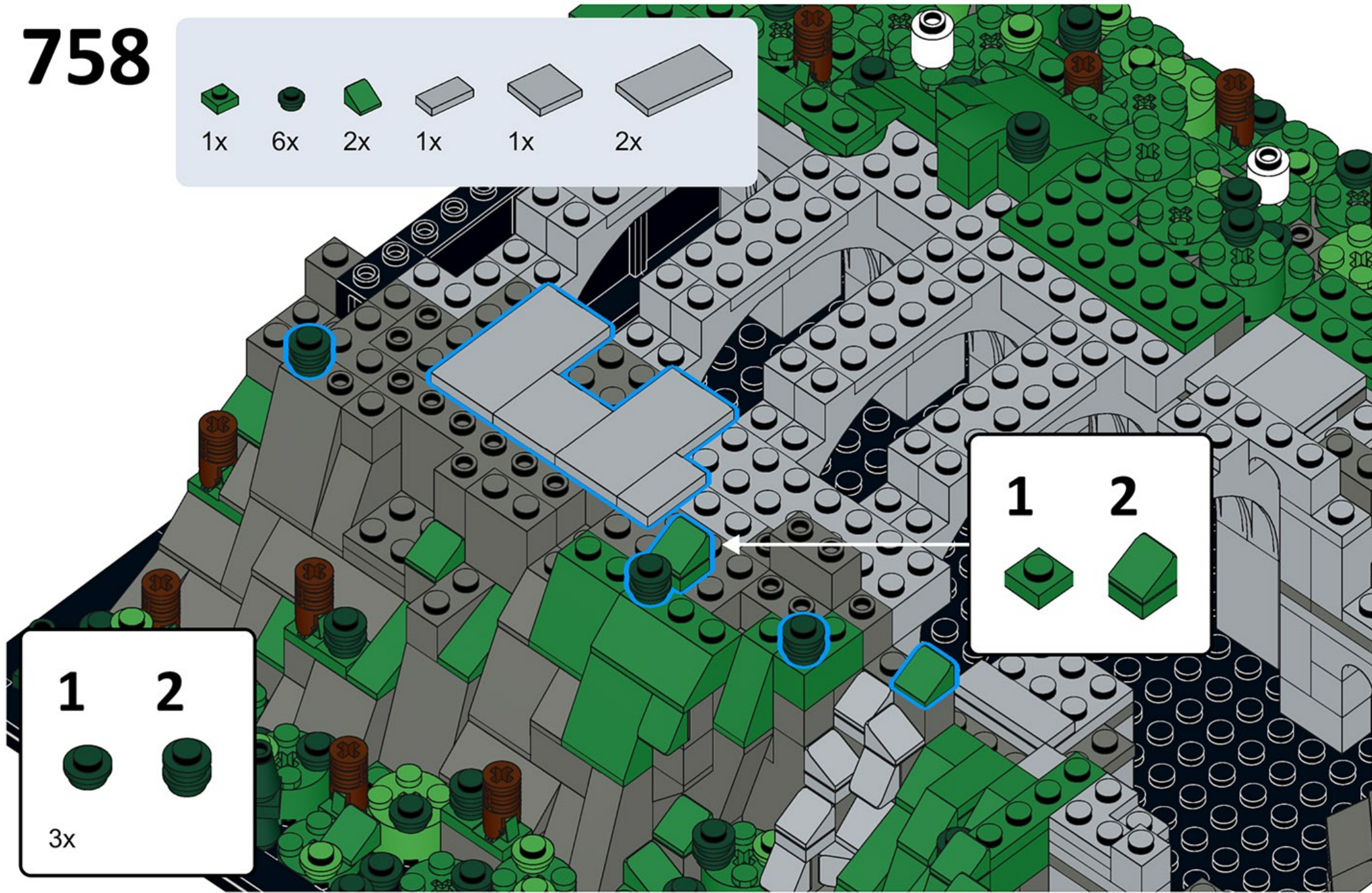


757



758

1x 6x 2x 1x 1x 2x

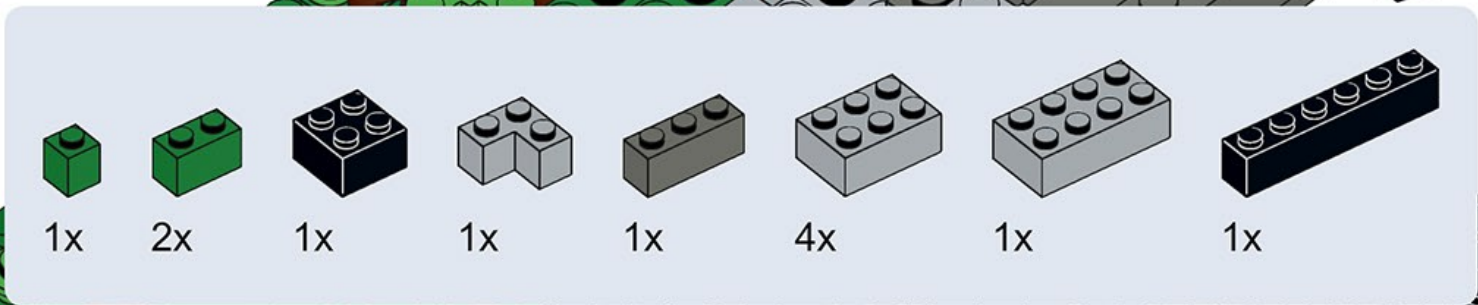


1 2

1 2

3x

759



Parts list for step 759:

- 1x Green 1x1 Brick
- 2x Green 1x2 Brick
- 1x Black 2x2 Brick
- 1x Grey 1x2 Brick with 2-way Technic Connector
- 1x Grey 1x3 Brick
- 4x Grey 1x4 Brick
- 1x Grey 1x5 Brick
- 1x Black 1x6 Brick



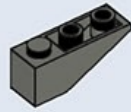
760



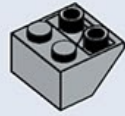
1x



1x



1x



1x



2x



1x



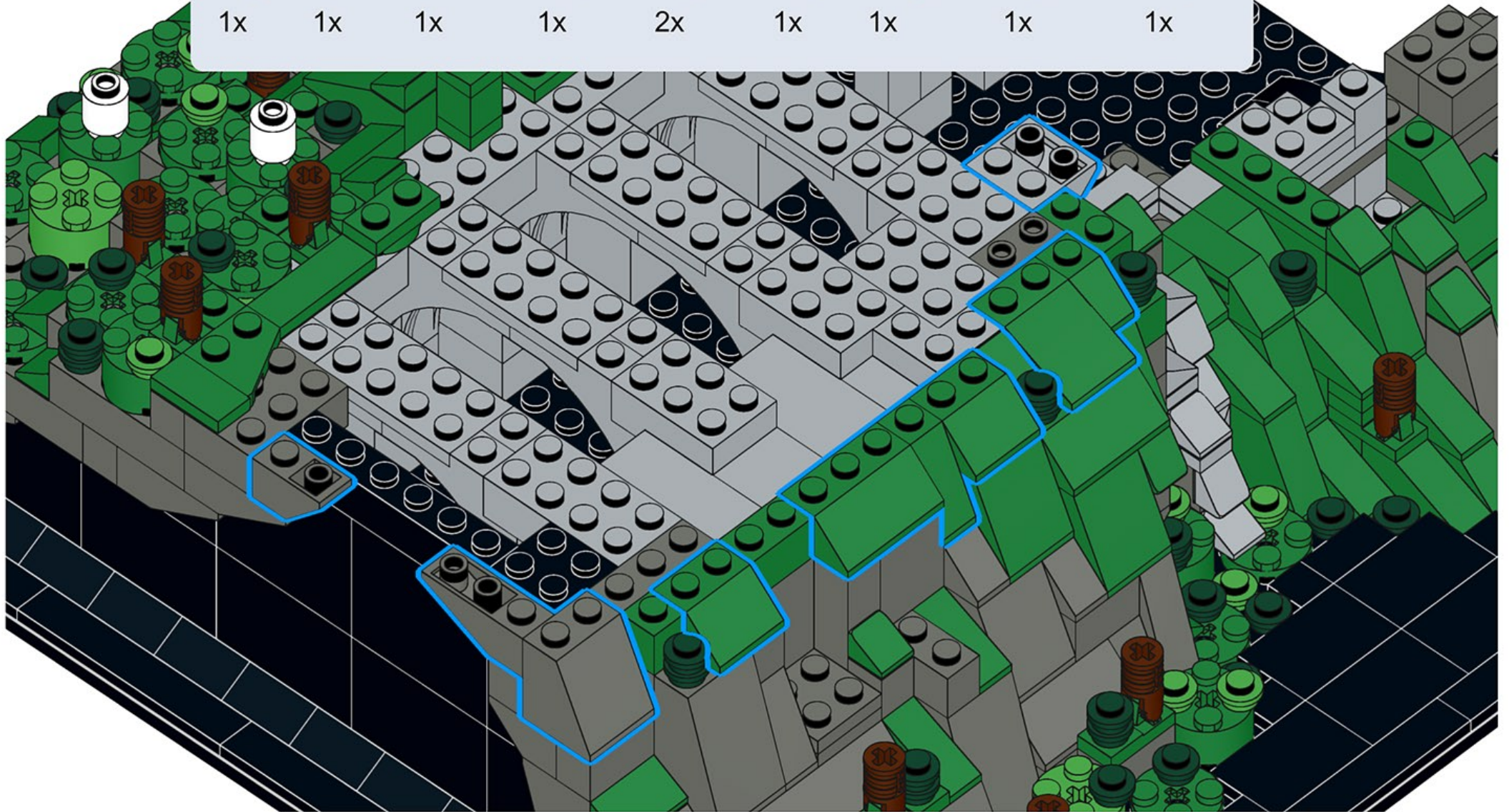
1x



1x

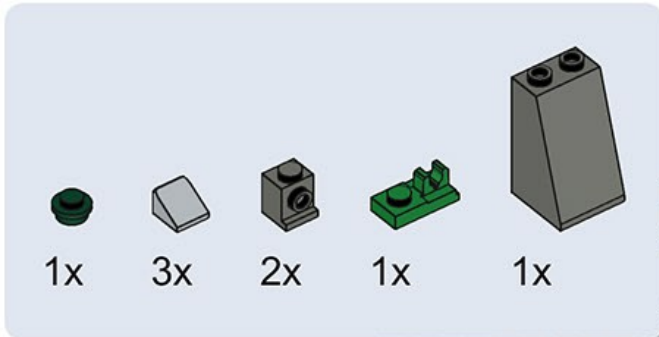


1x

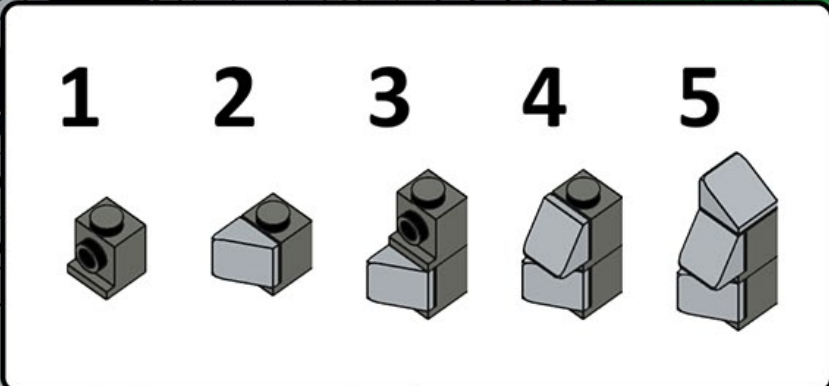


761

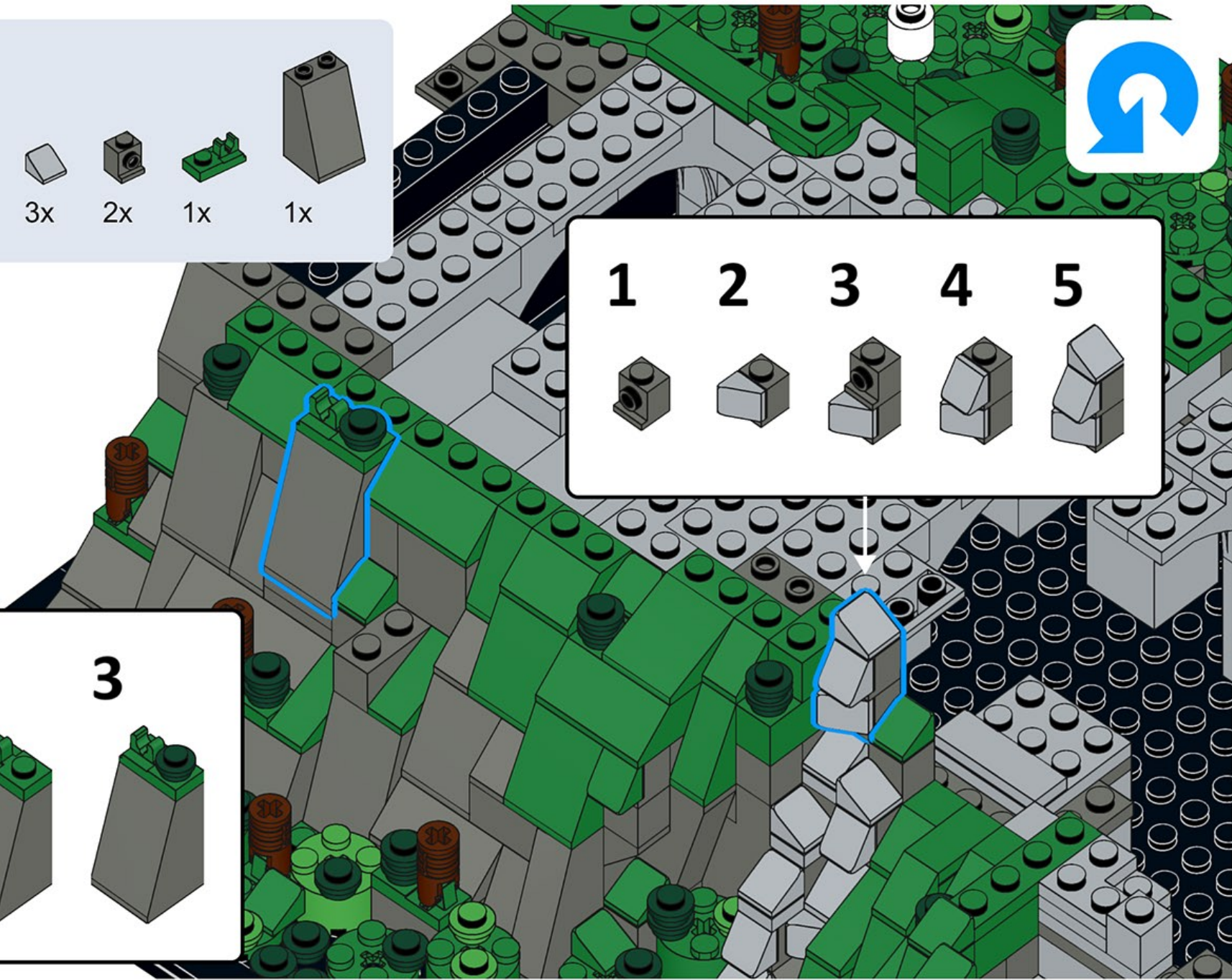
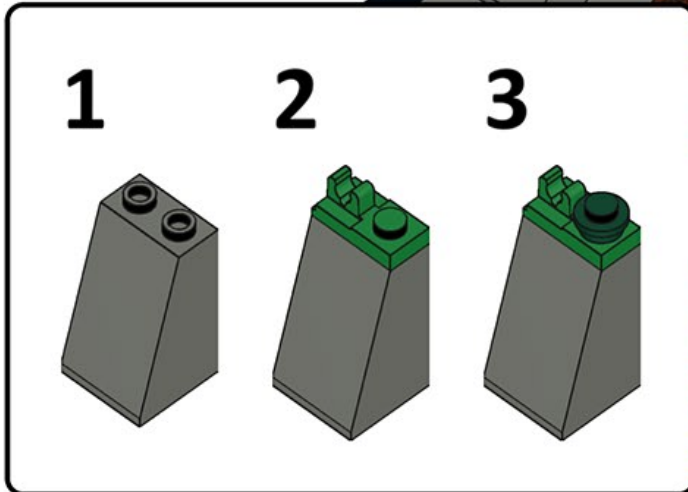
1x 3x 2x 1x 1x



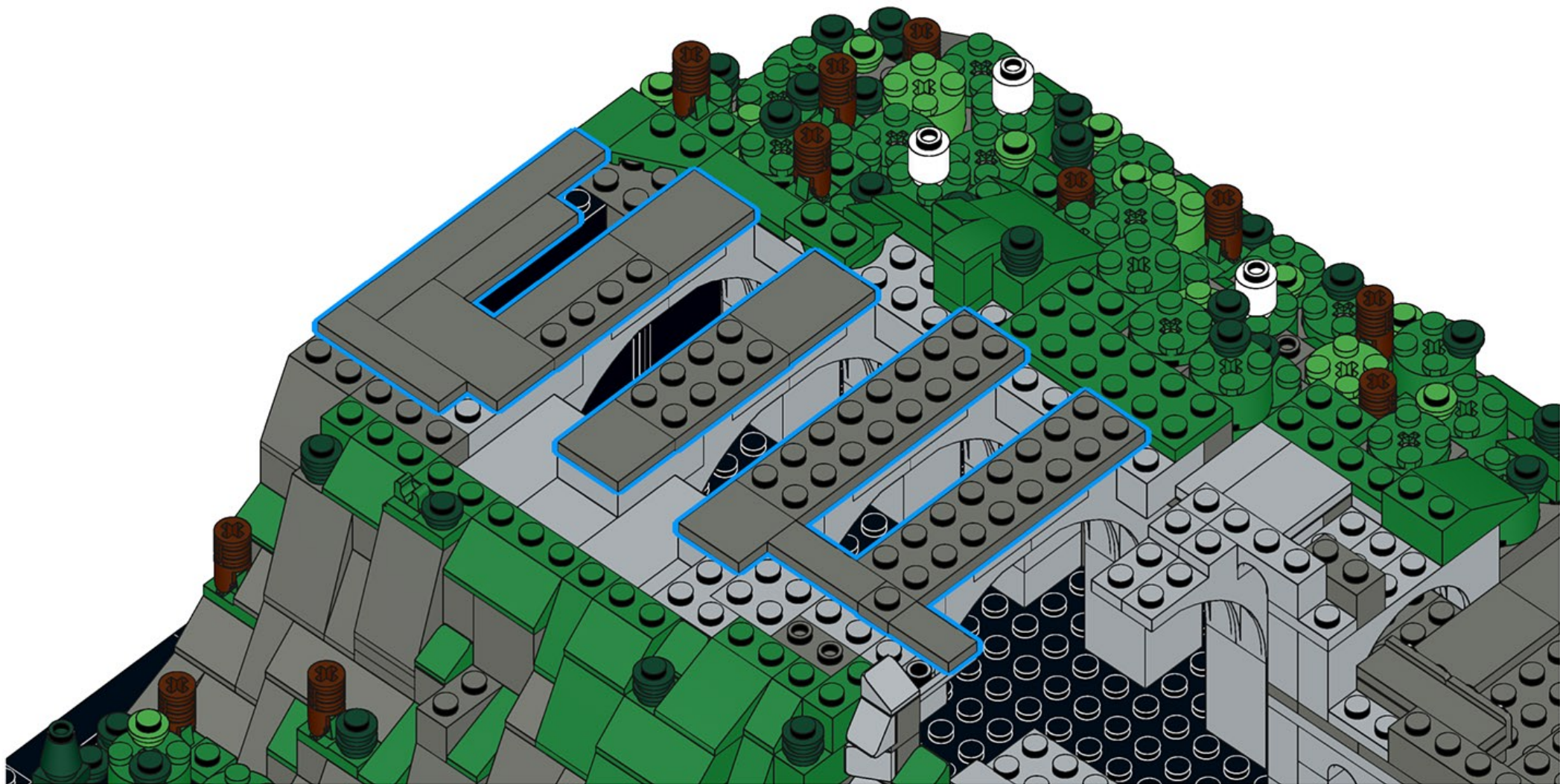
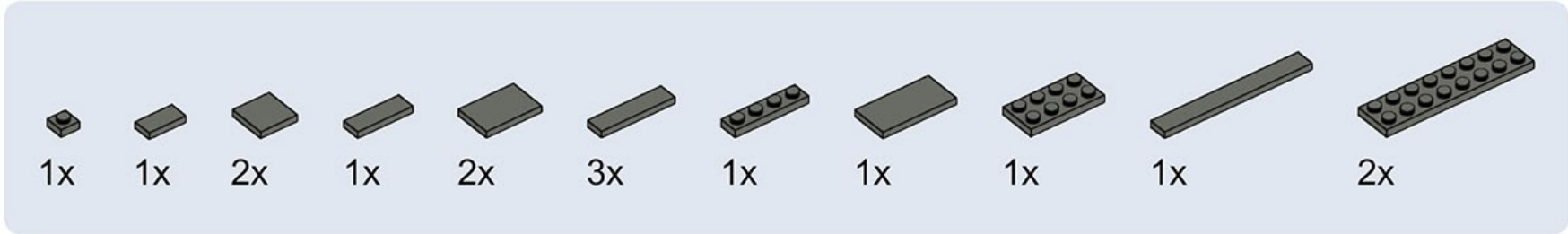
1 2 3 4 5



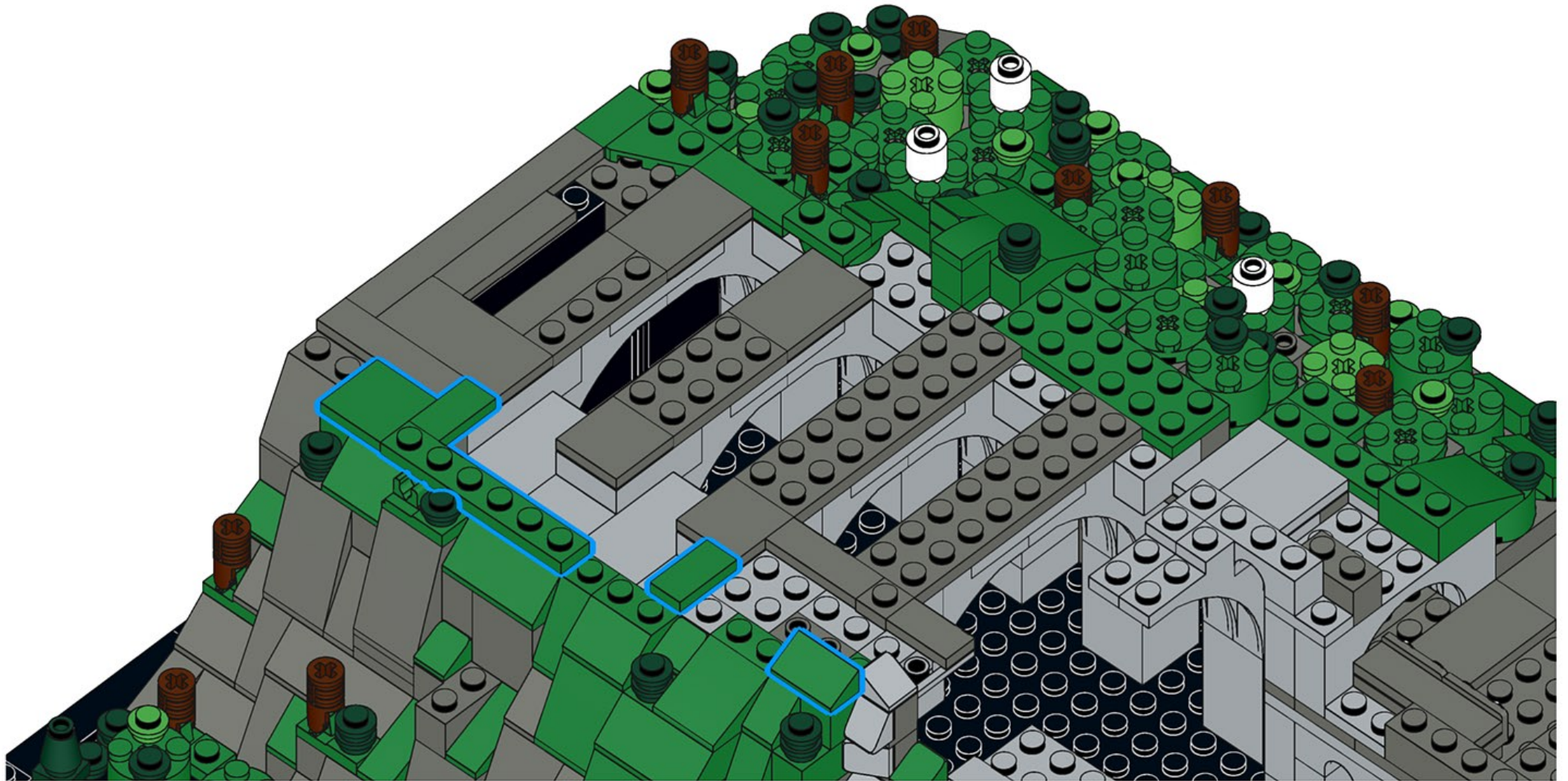
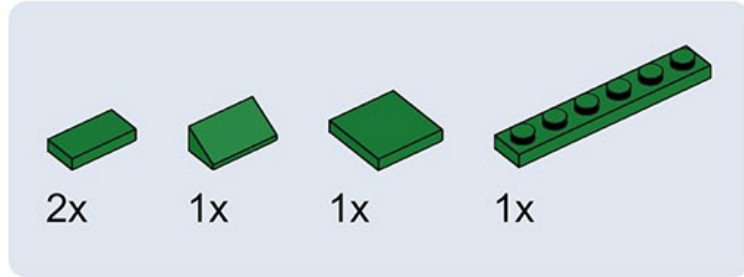
1 2 3








762

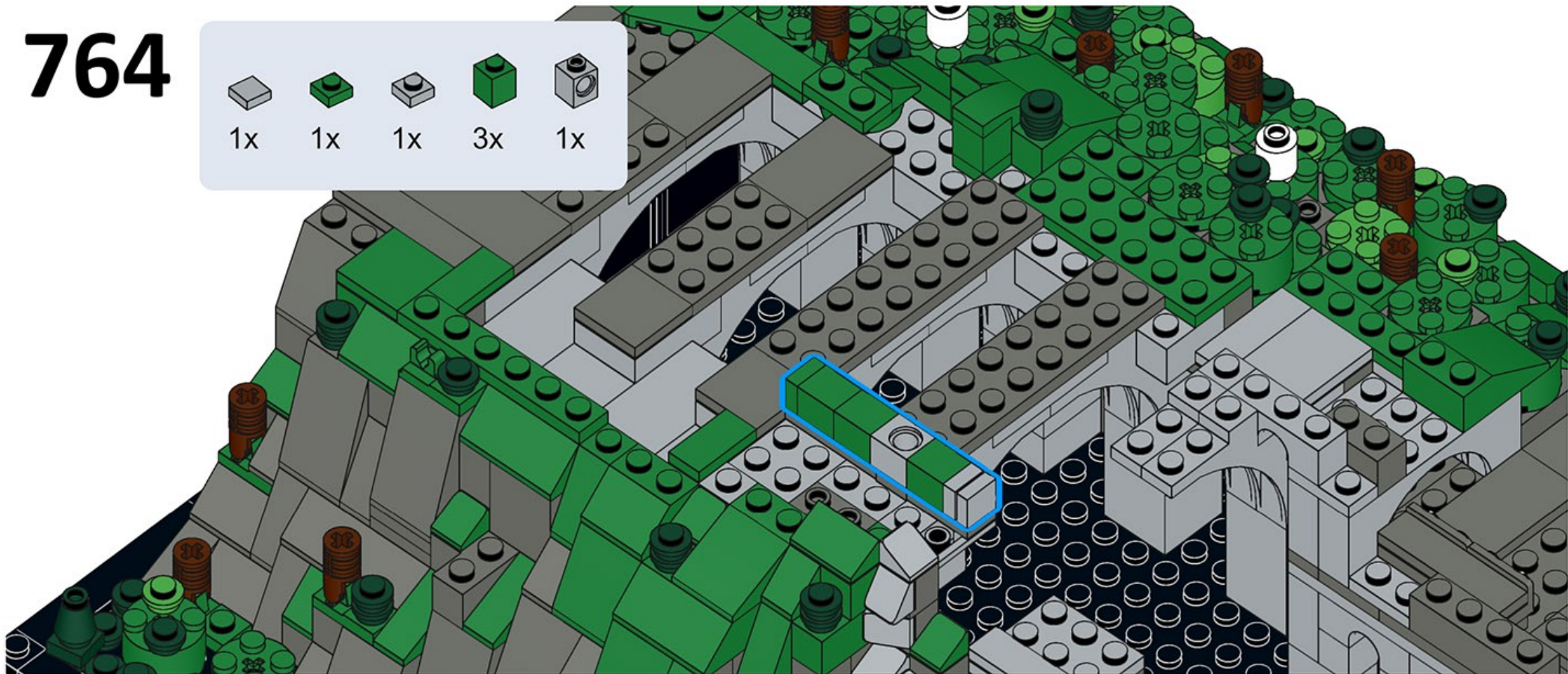




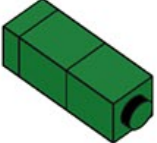
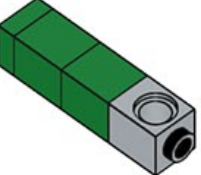
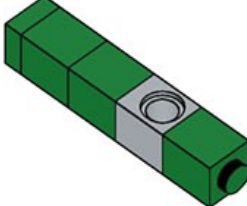
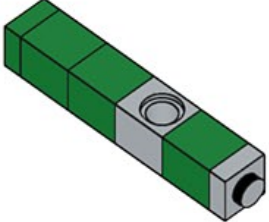
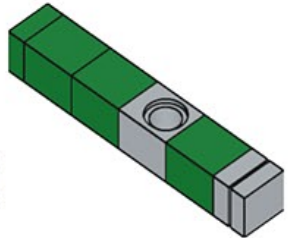
763



764

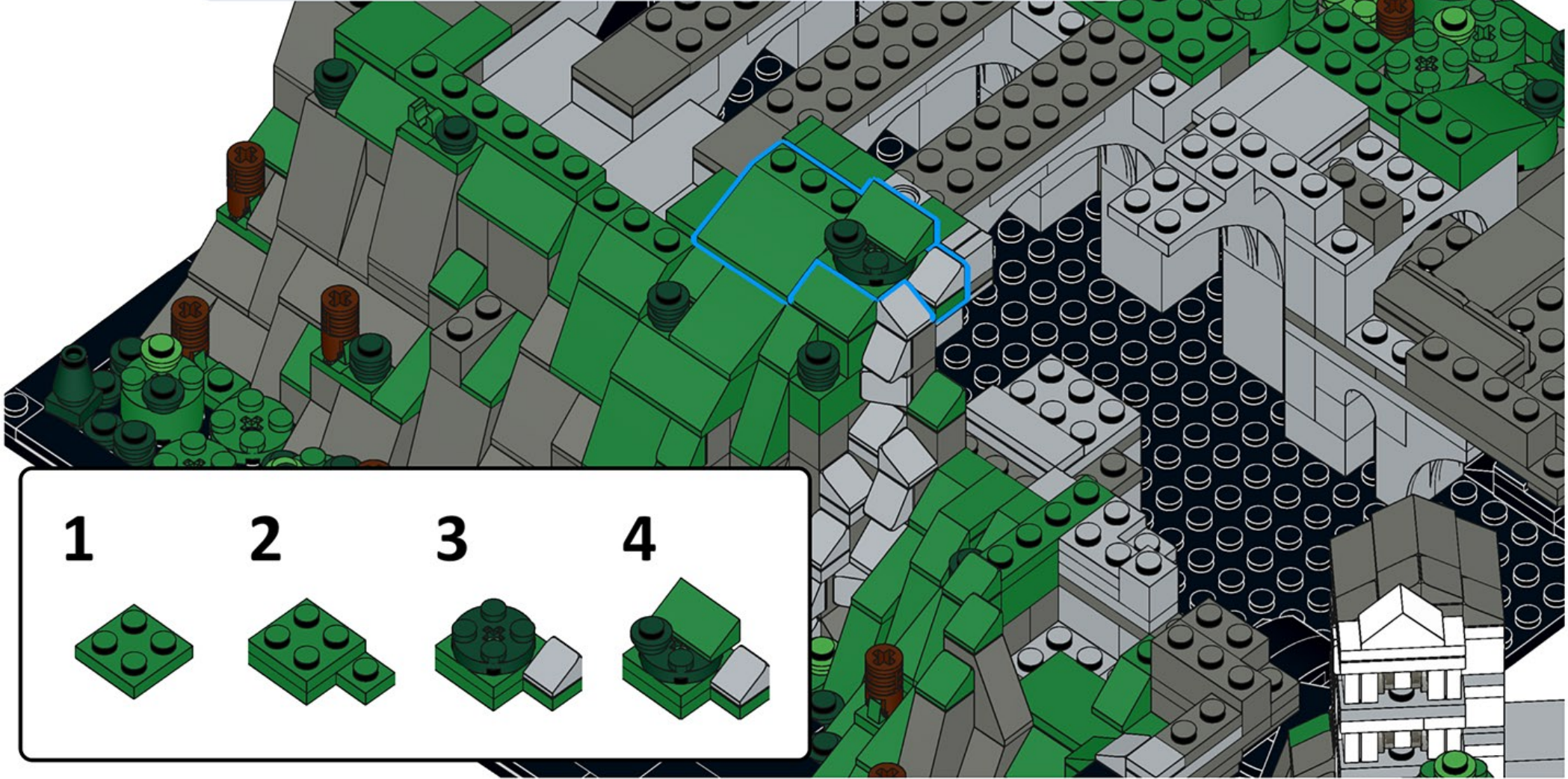
				
1x	1x	1x	3x	1x



1	2	3	4	5	6	7
						

765

1x 1x 1x 1x 1x 1x 1x 1x

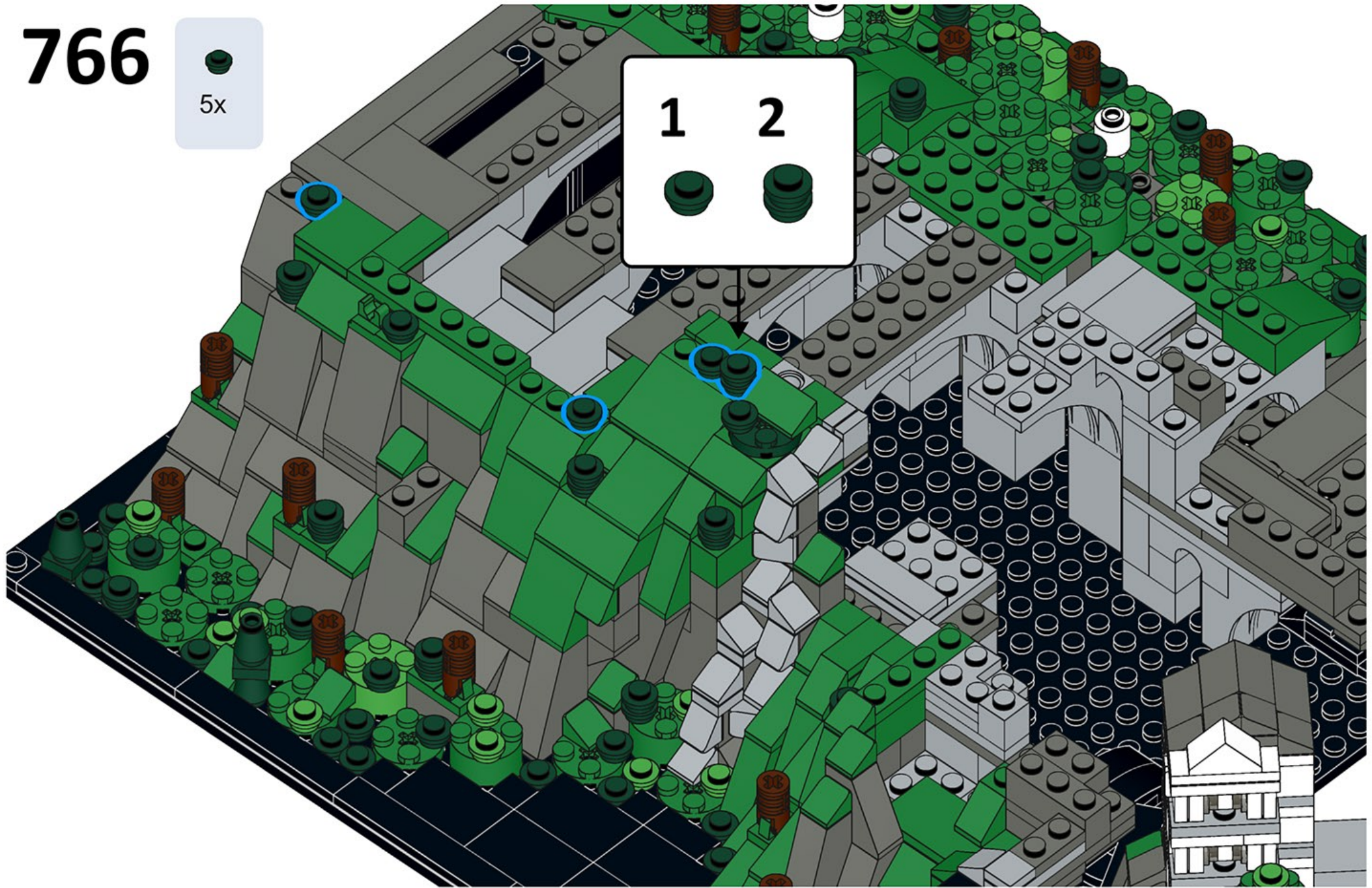



1 2 3 4

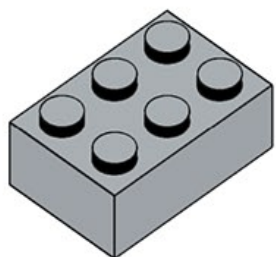
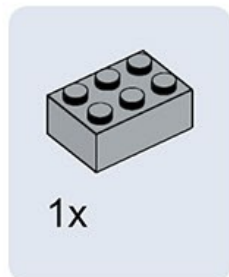
766


5x

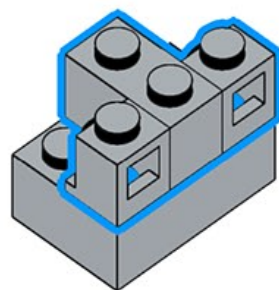
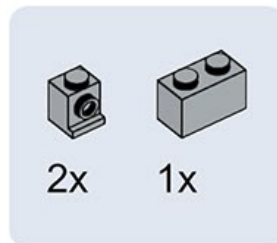
1 2



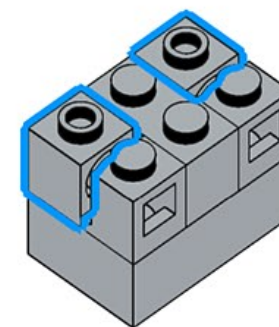
767



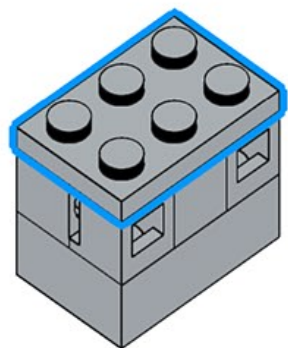
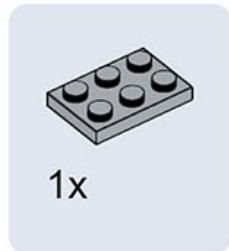
768



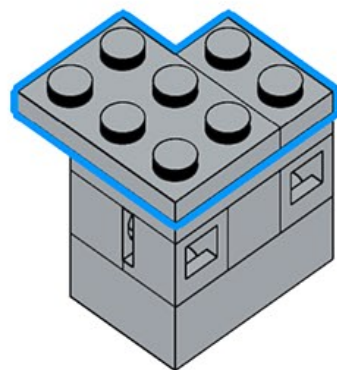
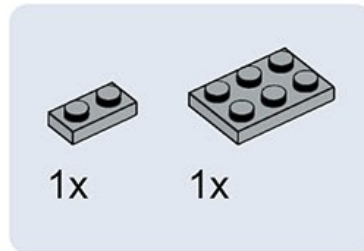
769



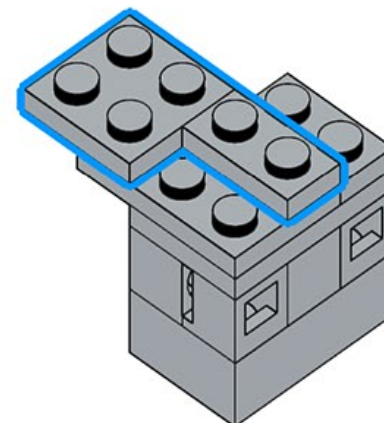
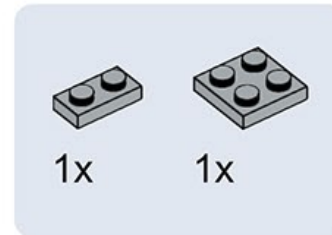
770



771



772



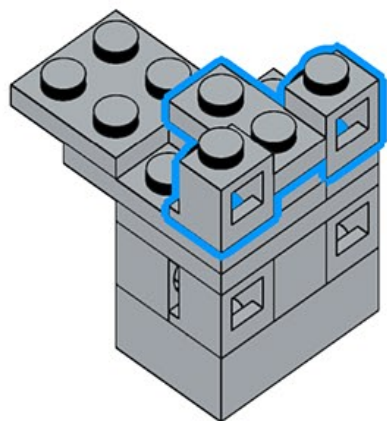
773



1x



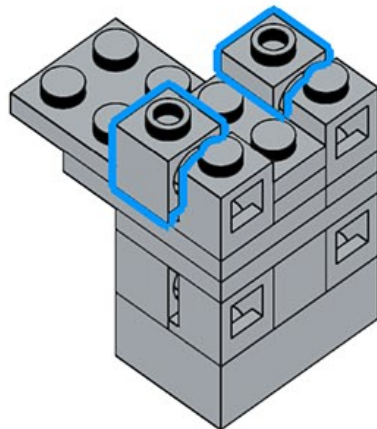
2x



774



2x



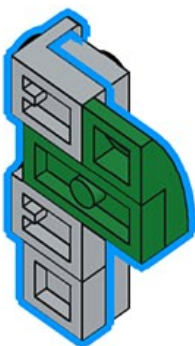
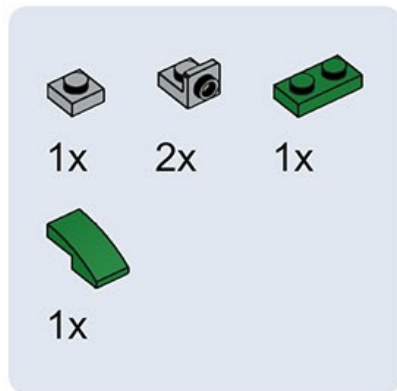
775



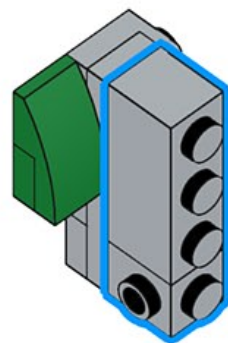
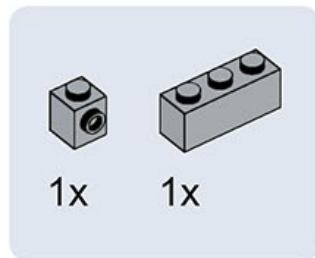
1x



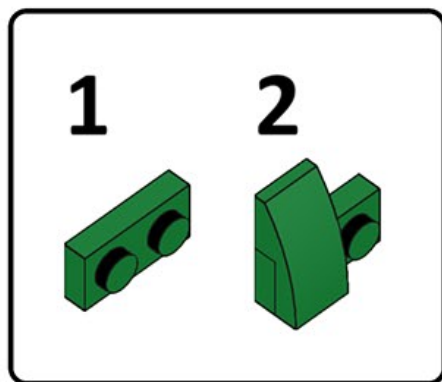
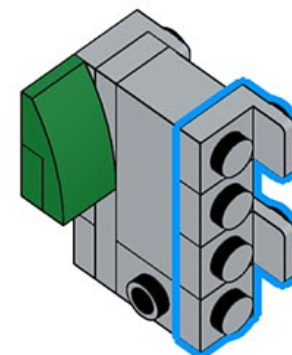
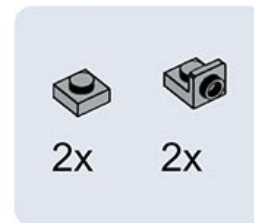
776



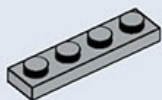
777



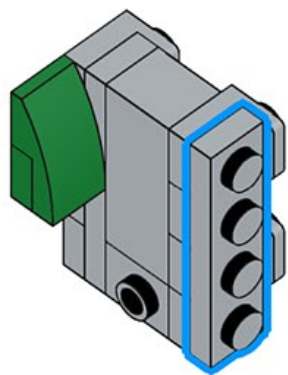
778



779



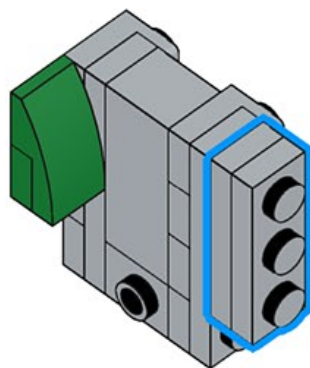
1x



780



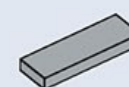
2x



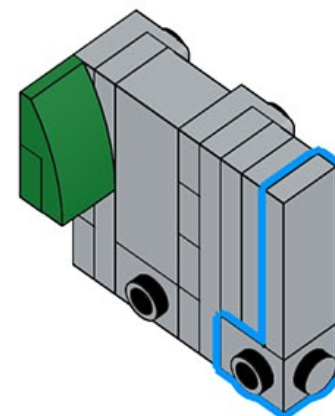
781



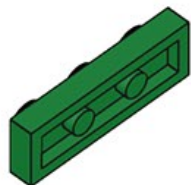
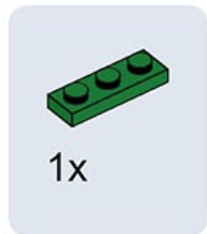
1x



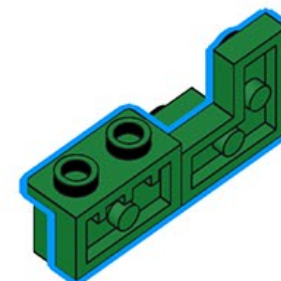
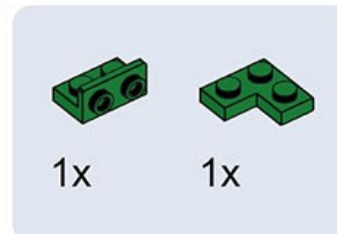
1x



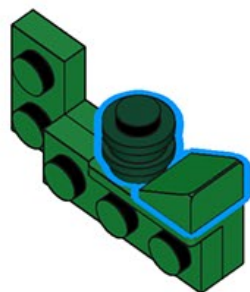
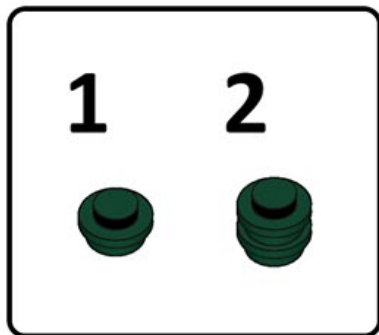
782



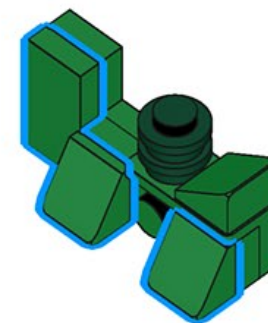
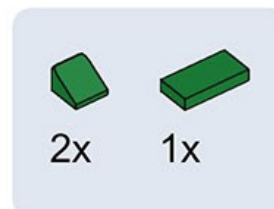
783



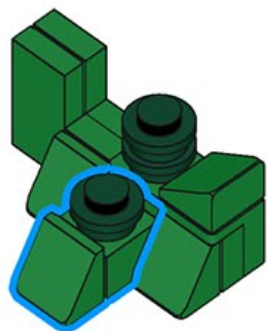
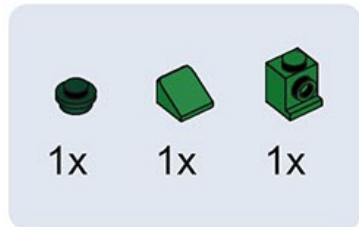
784



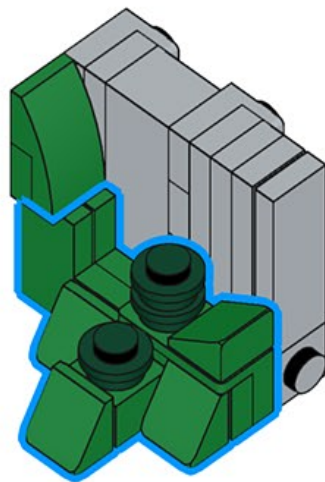
785



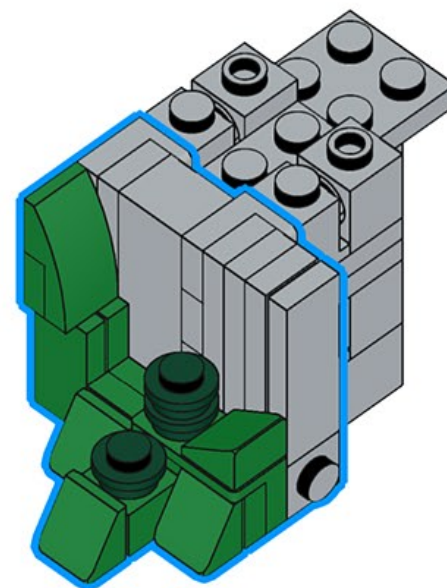
786



787



788



1



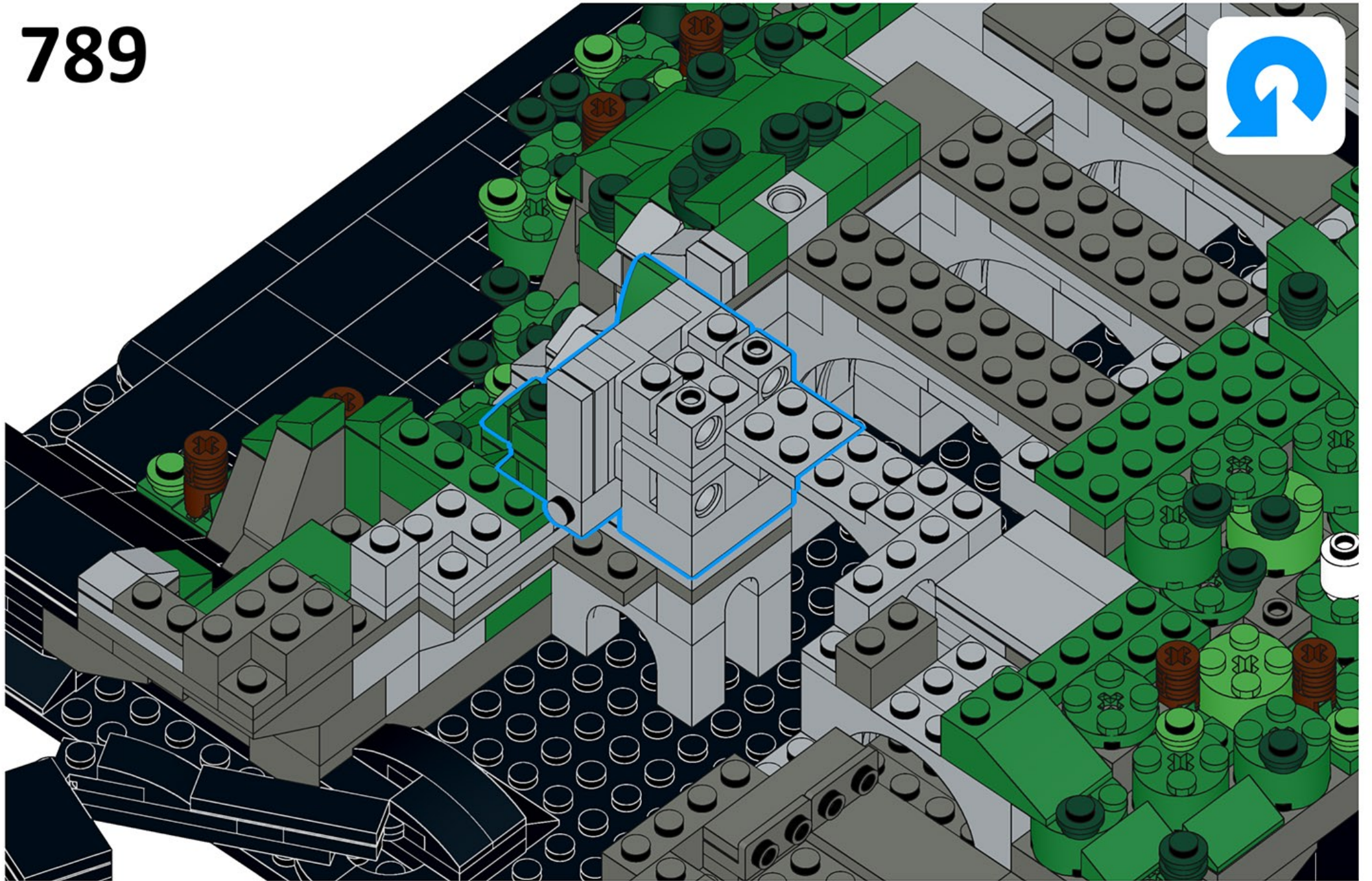
2



3



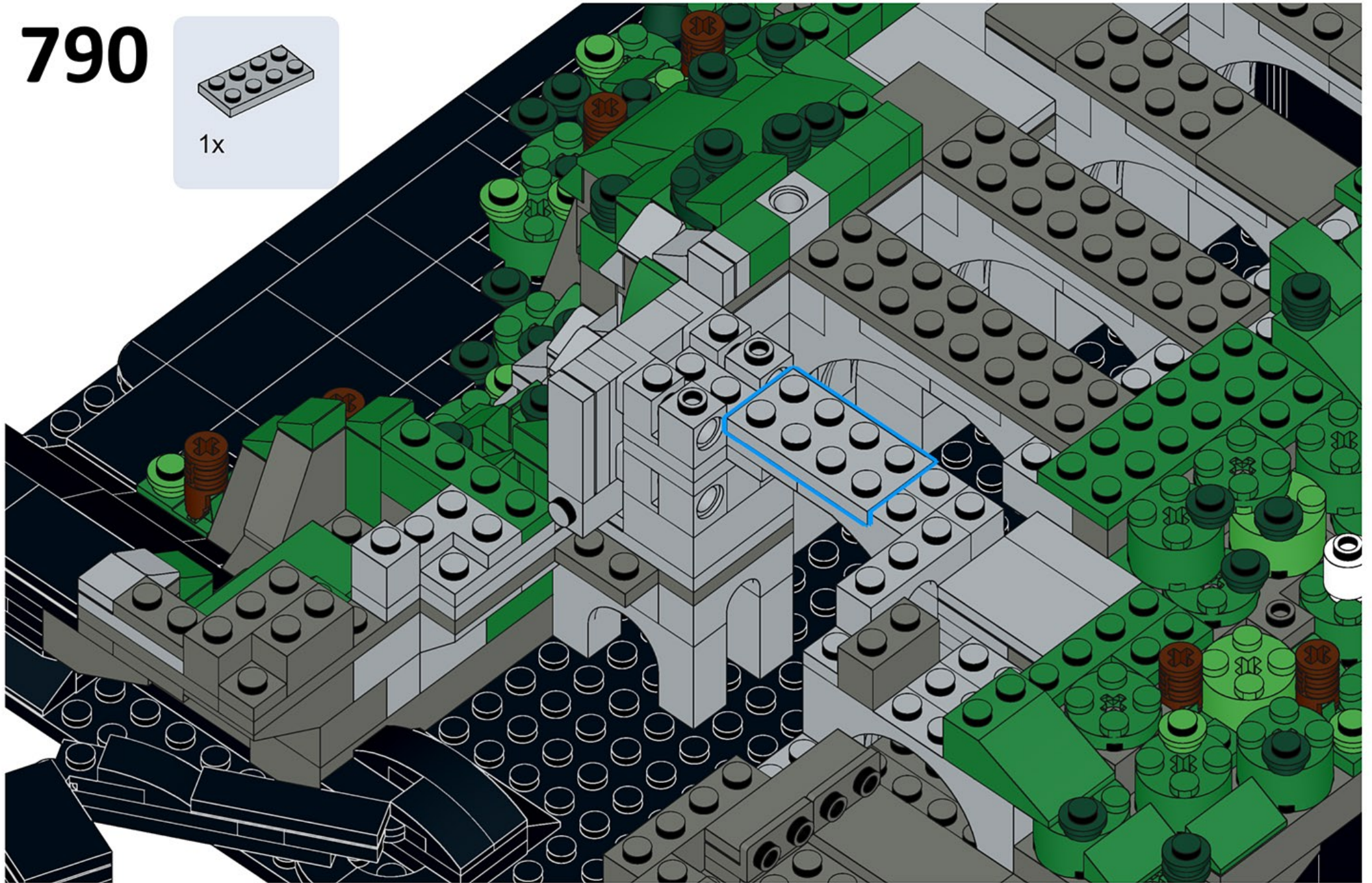
789



790



1x

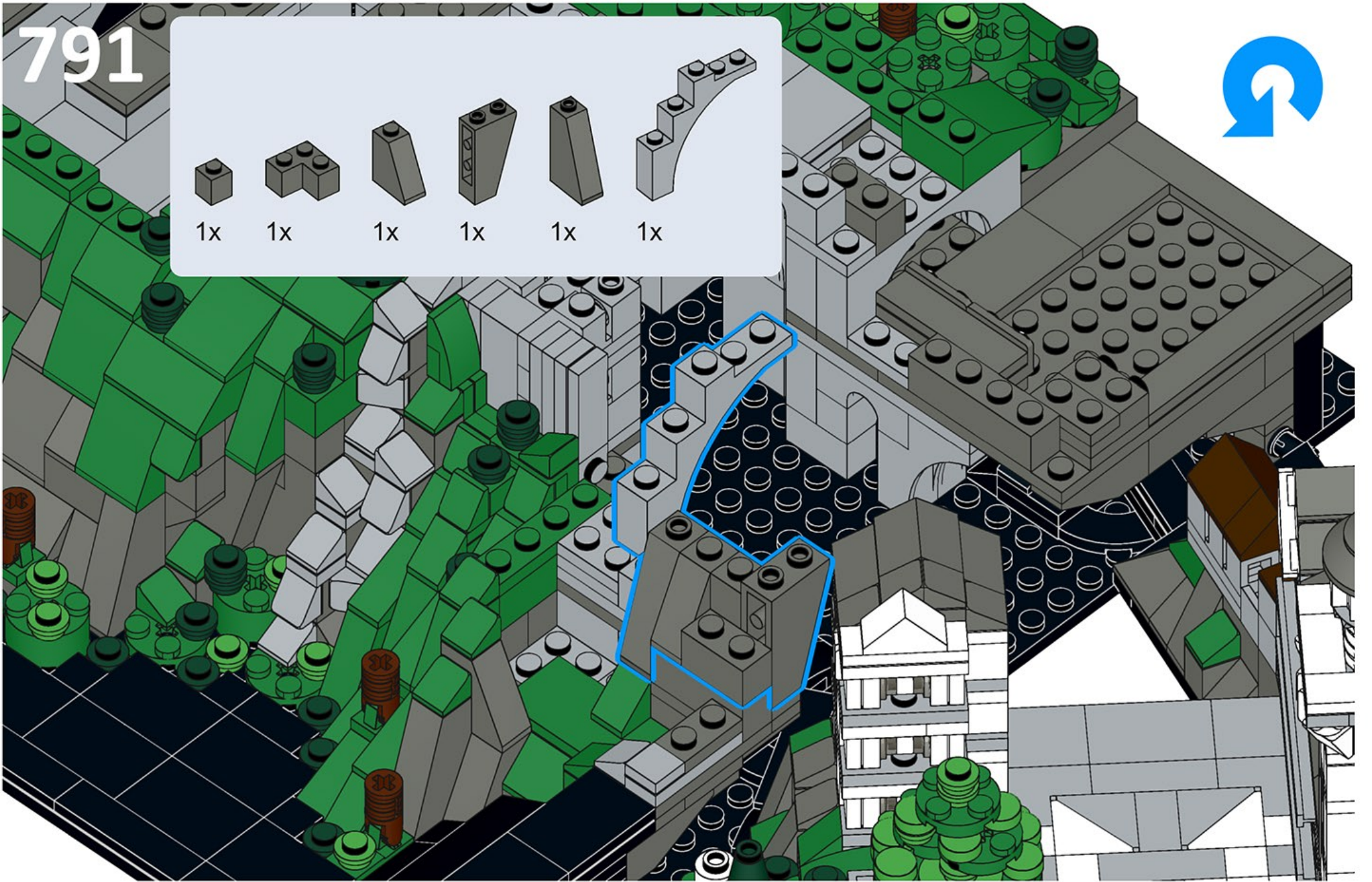


791







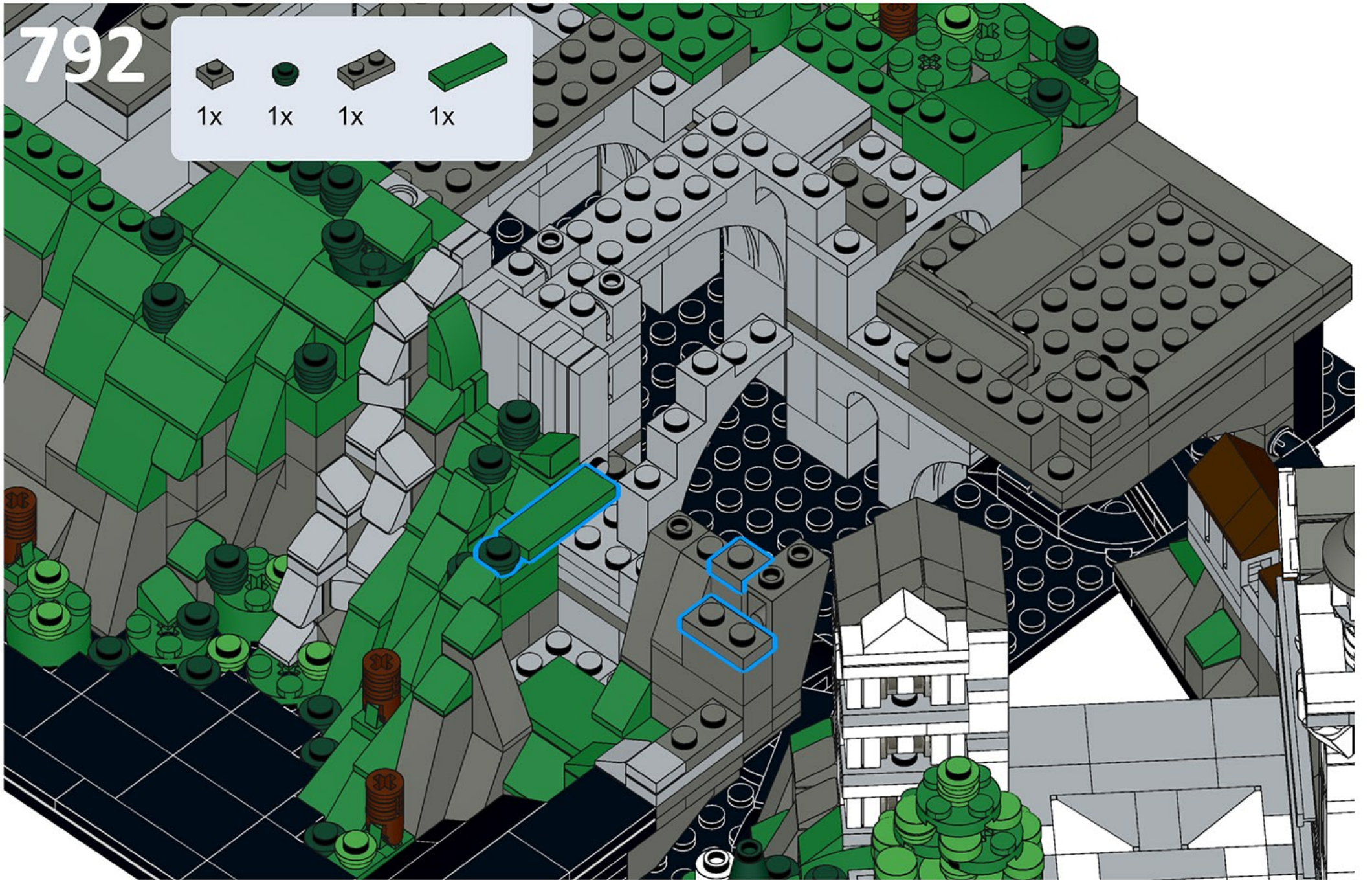
1x 1x 1x 1x 1x 1x

This block contains a list of six LEGO parts required for step 791. From left to right: a 1x1 grey brick; a 1x2 grey L-shaped brick; a grey 1x2 wedge; a grey 1x2 brick with a hole; a grey 1x2 wedge; and a grey 1x2 curved brick. Each part is accompanied by the quantity '1x'.

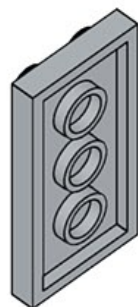
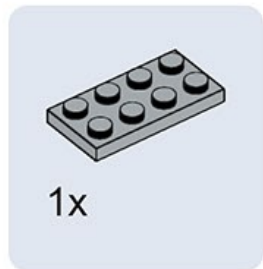


792

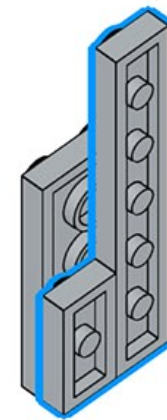
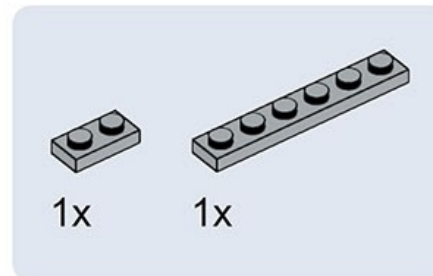
			
1x	1x	1x	1x



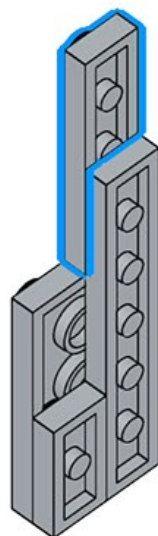
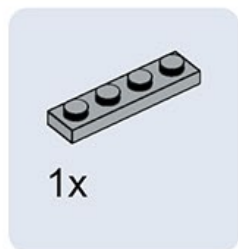
793



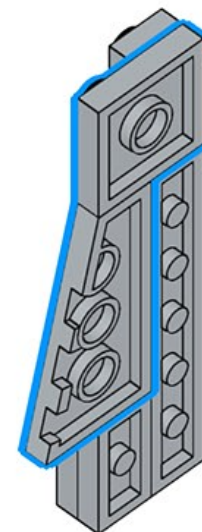
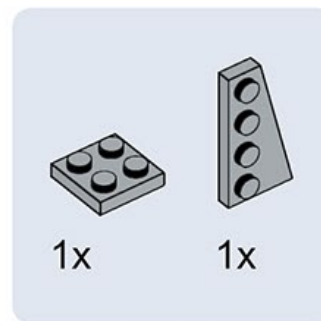
794



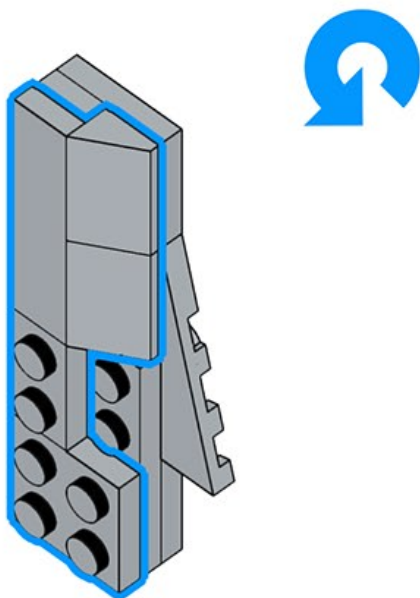
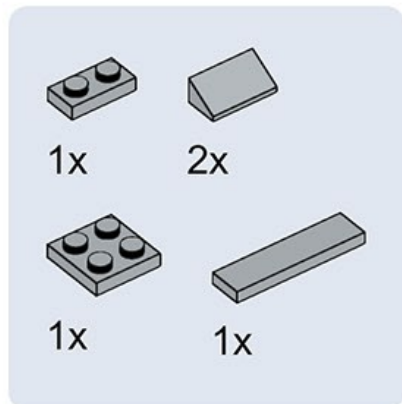
795



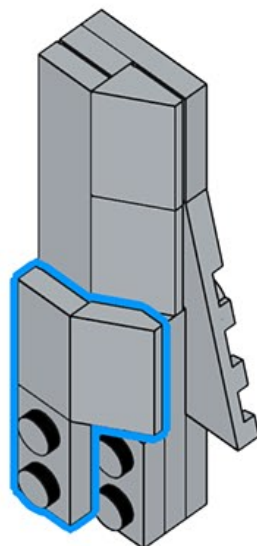
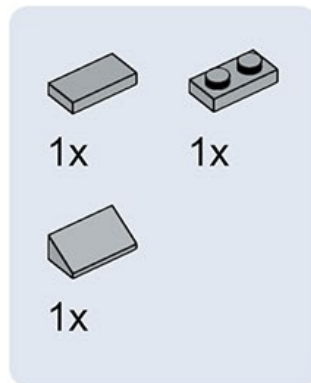
796



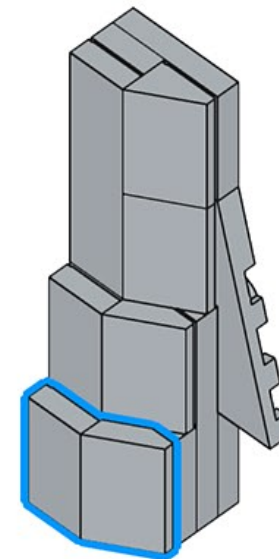
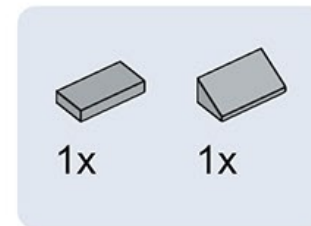
797



798



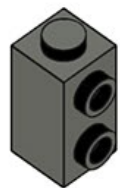
799



800



1x



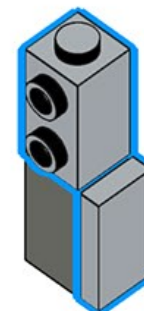
801



1x



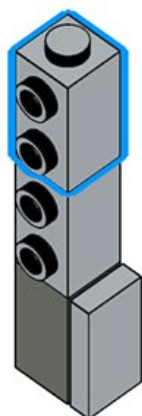
1x



802



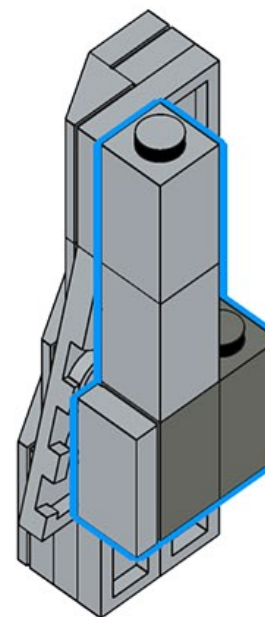
1x



803



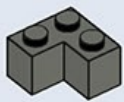
1x



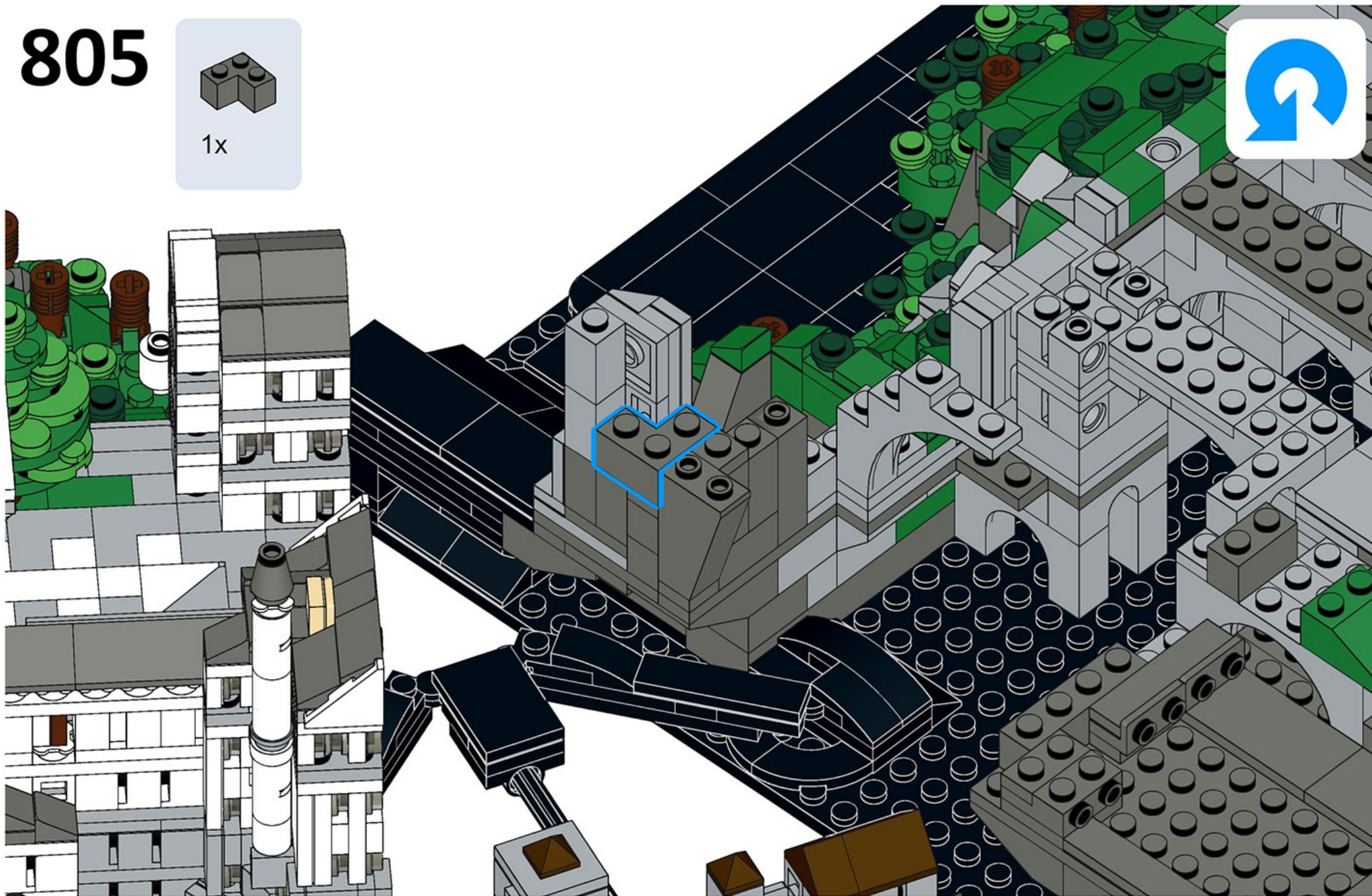
804



805



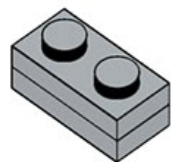
1x



806



2x



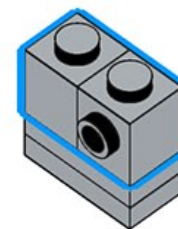
807



1x



1x



808



1x



1x

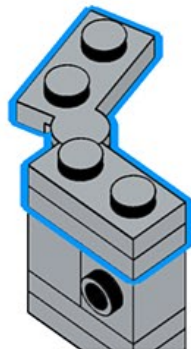


1x

1



2



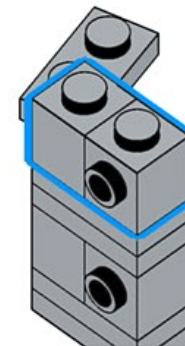
809



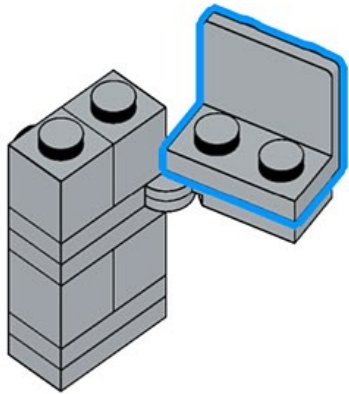
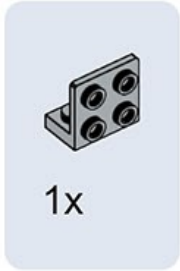
1x



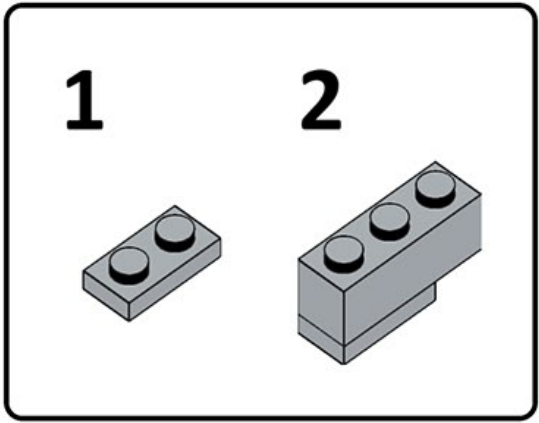
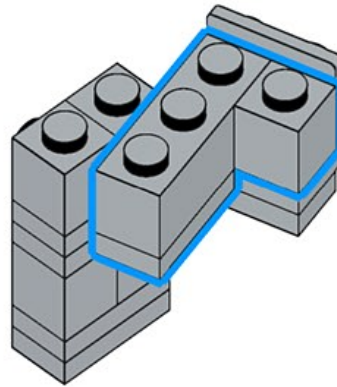
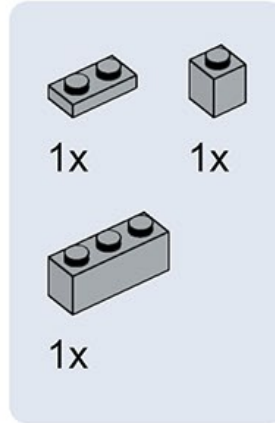
1x



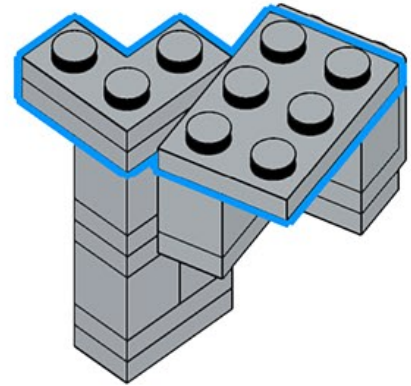
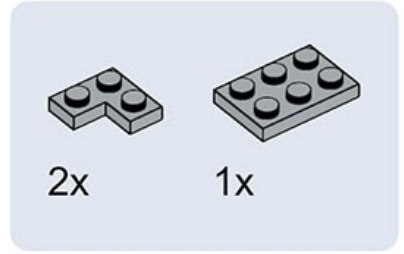
810



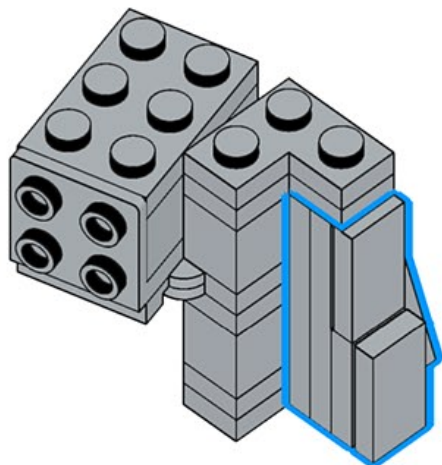
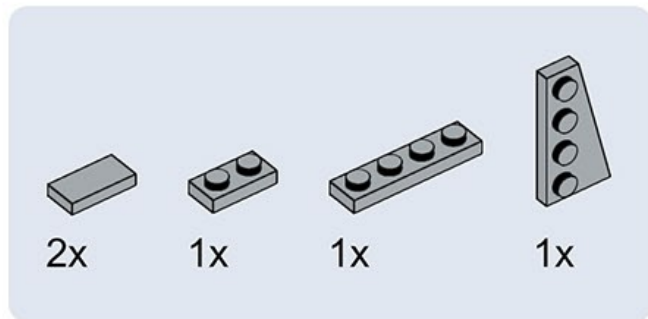
811



812



813



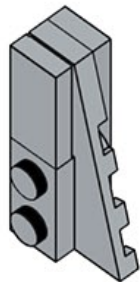
1



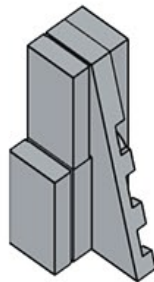
2



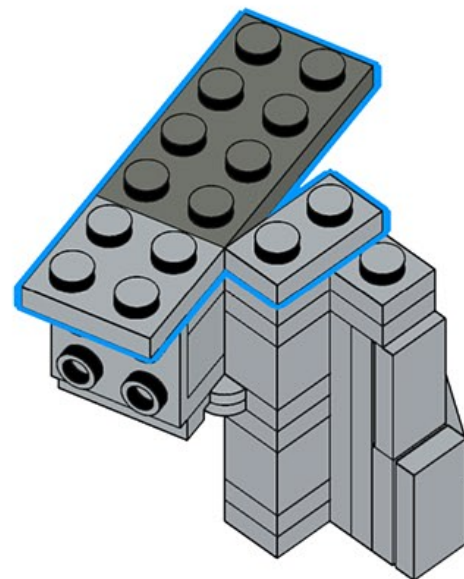
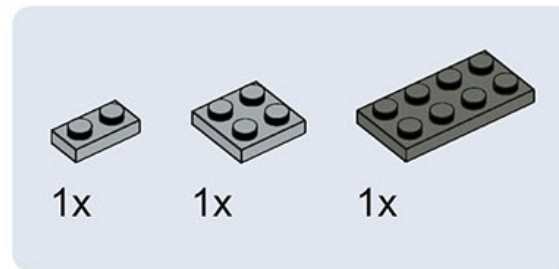
3



4



814



815



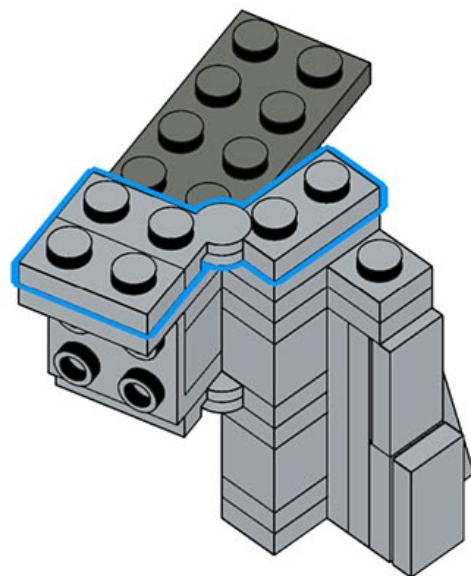
1x



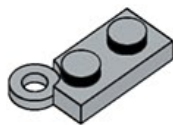
1x



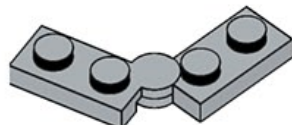
1x



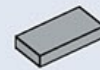
1



2



816



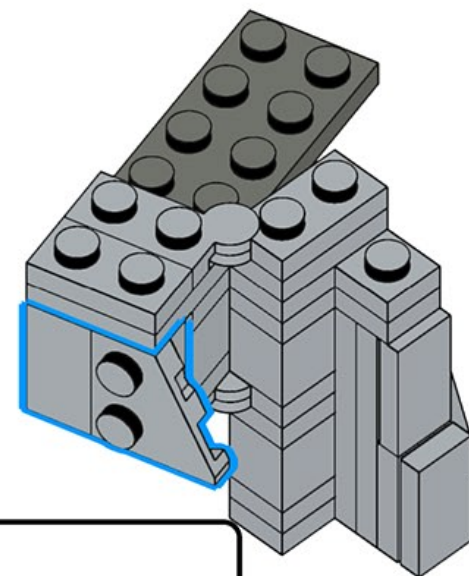
1x



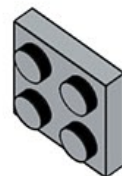
1x



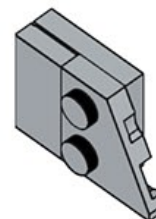
1x



1



2



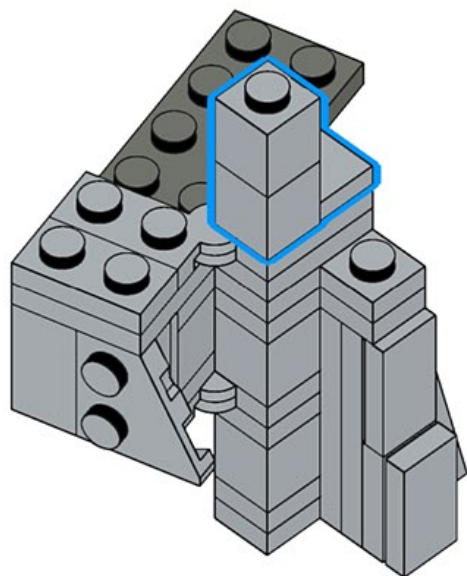
817



1x



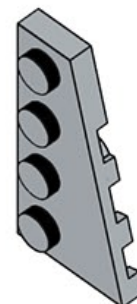
2x



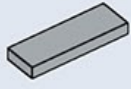
818



1x



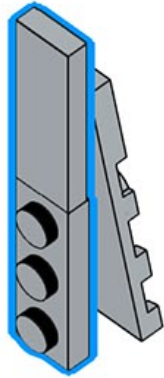
819



1x



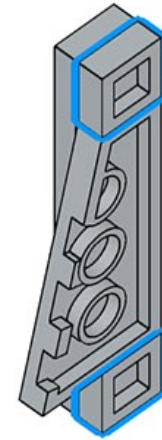
1x



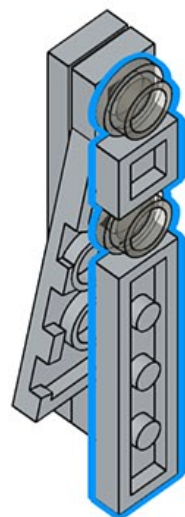
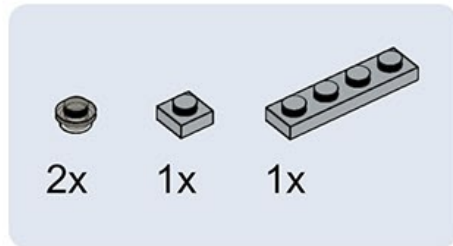
820



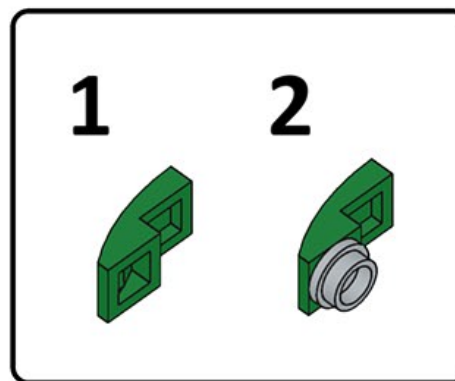
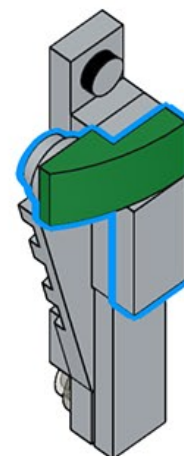
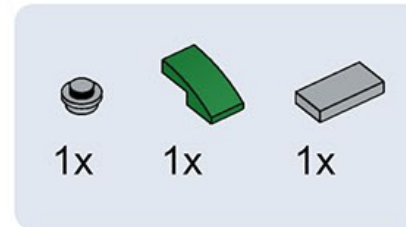
2x



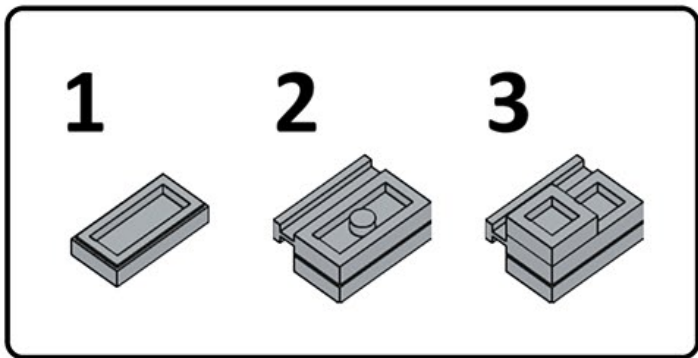
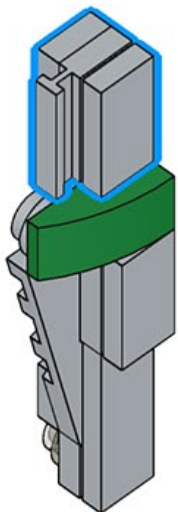
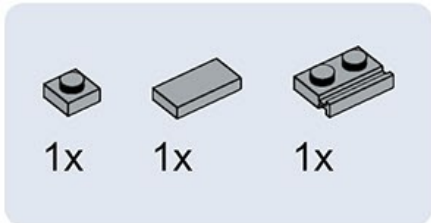
821



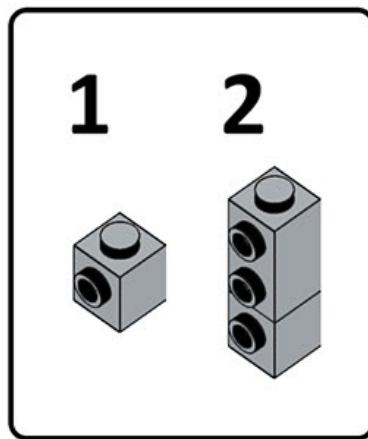
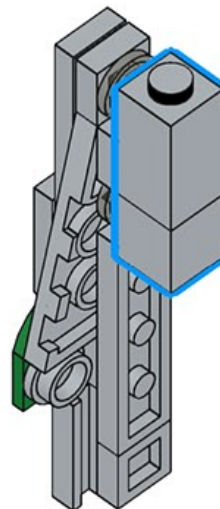
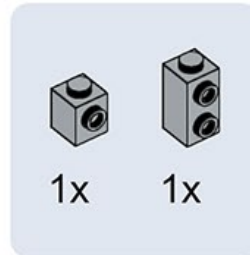
822



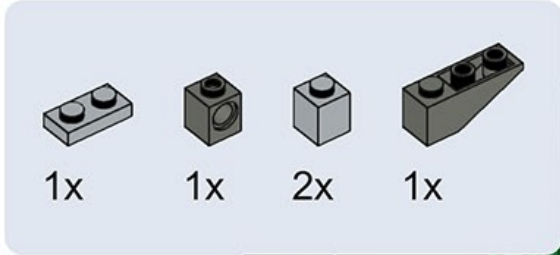
823



824



827

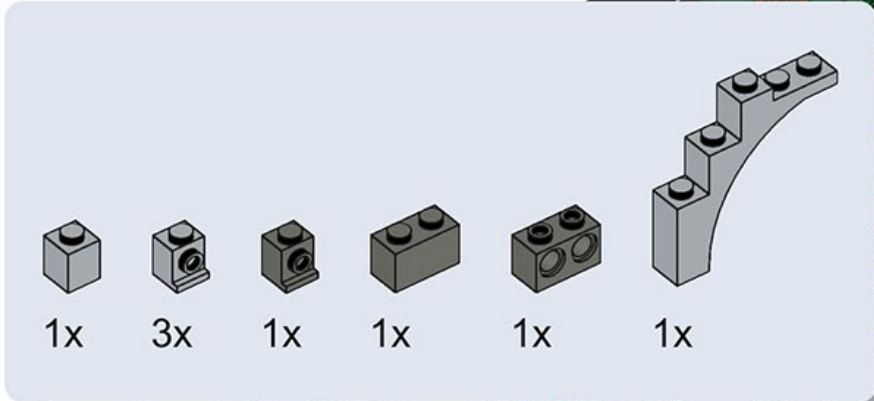


1x 1x 2x 1x

This block contains a parts list for step 827. It lists four items: a 1x grey Technic brick with two holes, a 1x grey Technic brick with a hole, a 2x grey Technic brick with two holes, and a 1x grey Technic brick with two holes. Each item is accompanied by a small image of the part and its quantity.

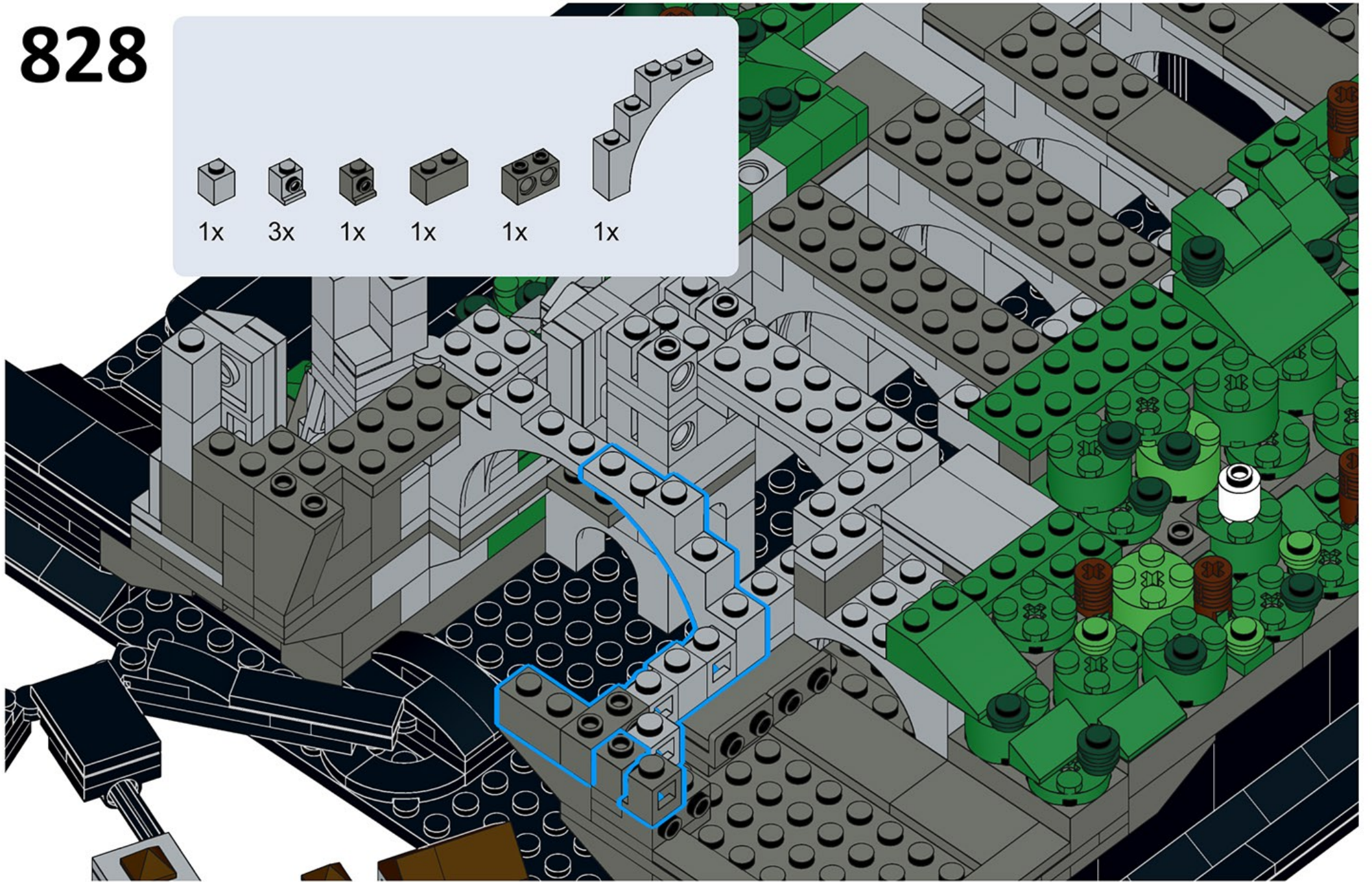


828

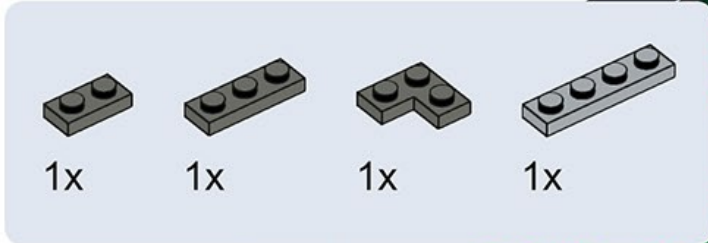


1x 3x 1x 1x 1x 1x

This block contains a list of six LEGO parts with their respective quantities. From left to right: a 1x1 white square brick (1x), a 1x2 white brick with a hole (3x), a 1x2 white brick with a hole (1x), a 1x2 grey brick (1x), a 1x2 grey brick with two holes (1x), and a 1x3 grey curved brick (1x).

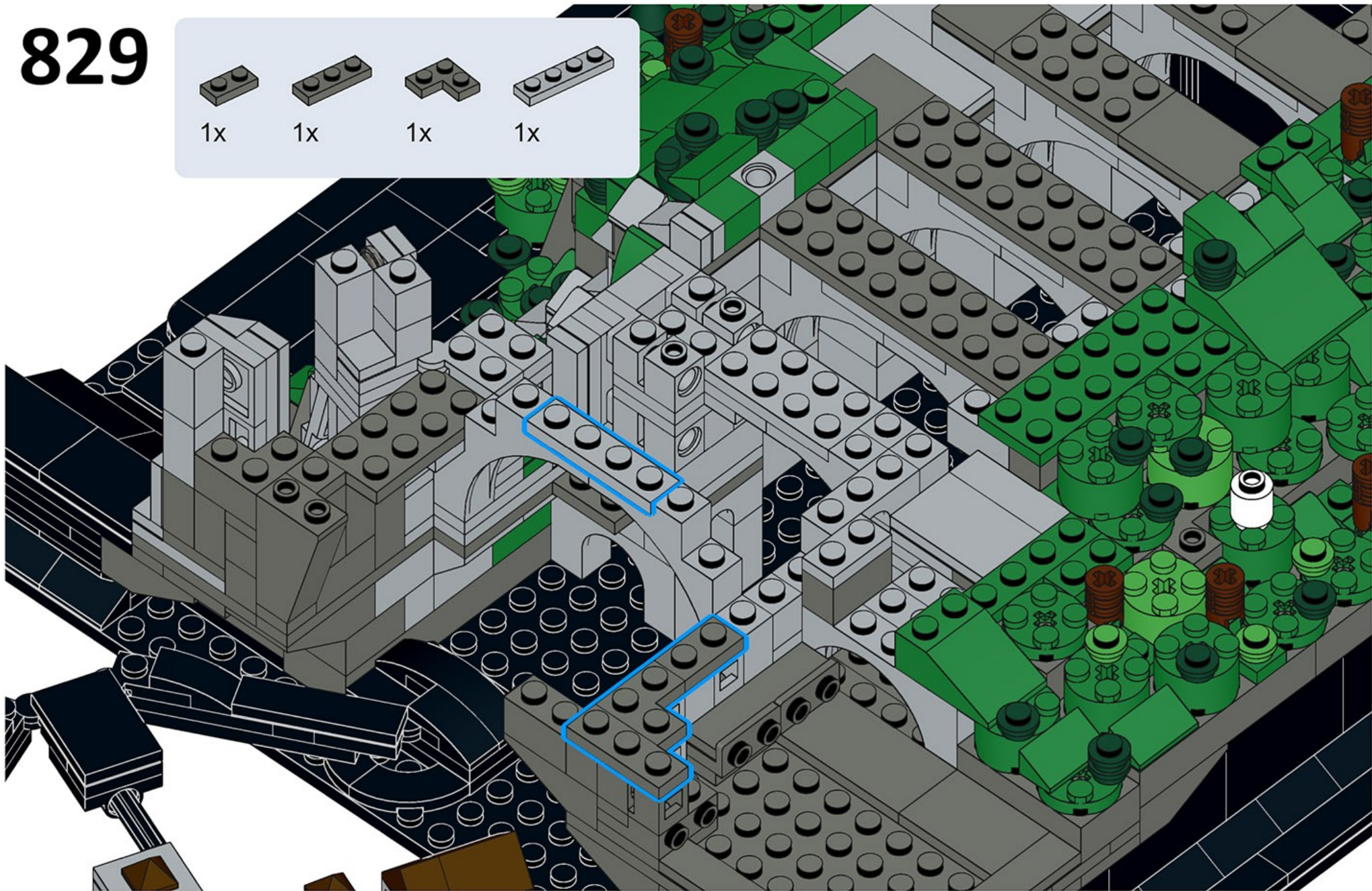


829

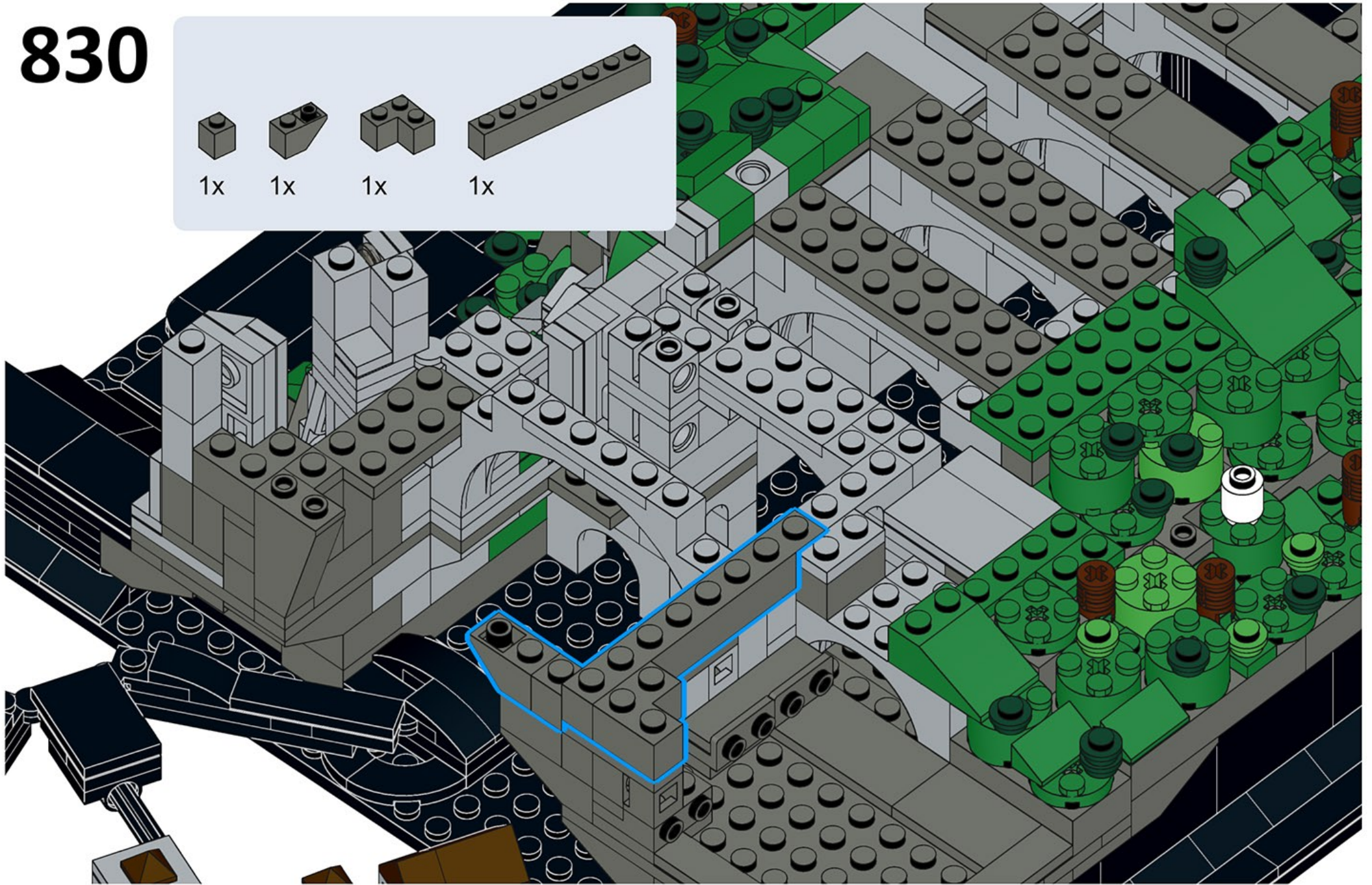
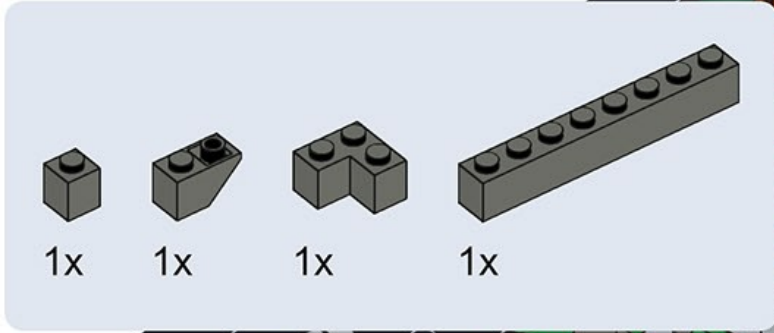


1x 1x 1x 1x

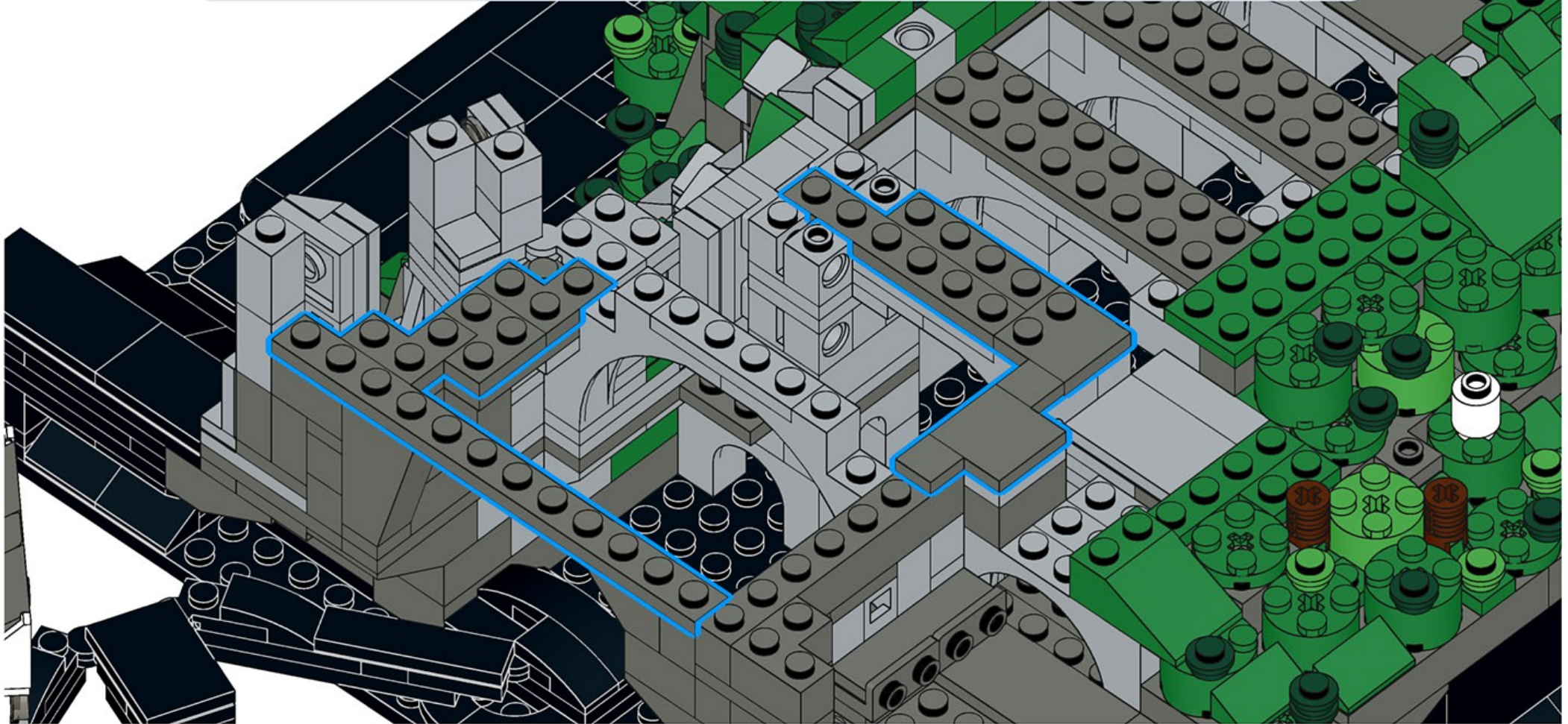
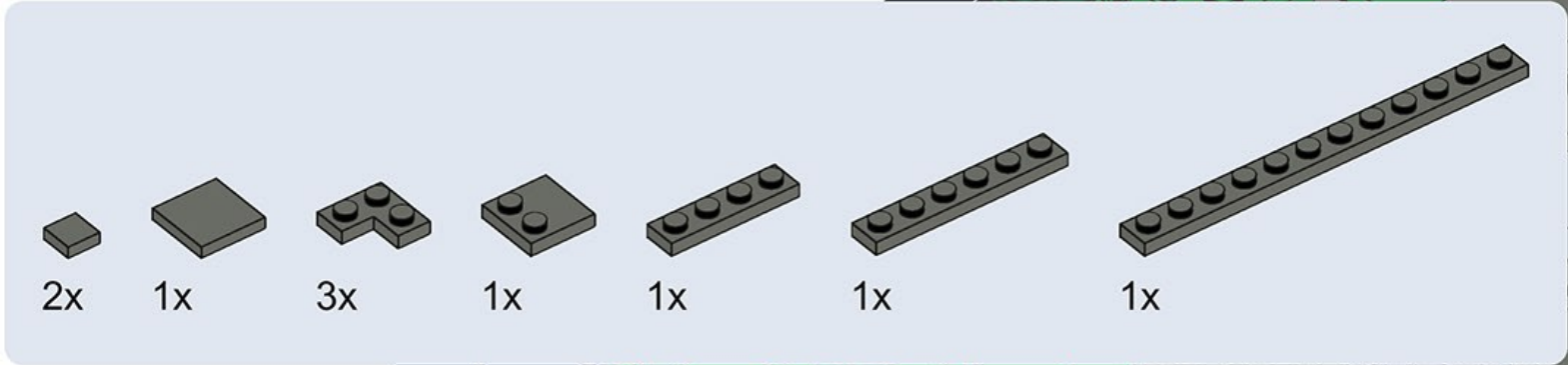
This block contains a list of four grey LEGO Technic parts, each with a '1x' quantity label below it. From left to right: a 1x2 Technic brick, a 1x3 Technic brick, a 1x2 Technic L-shaped brick, and a 1x4 Technic brick.



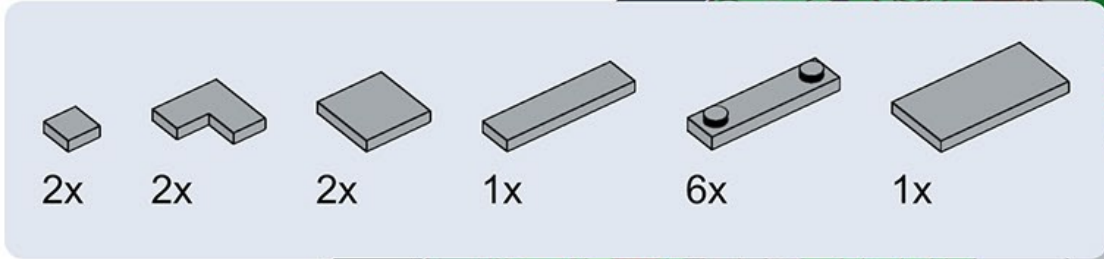
830



831

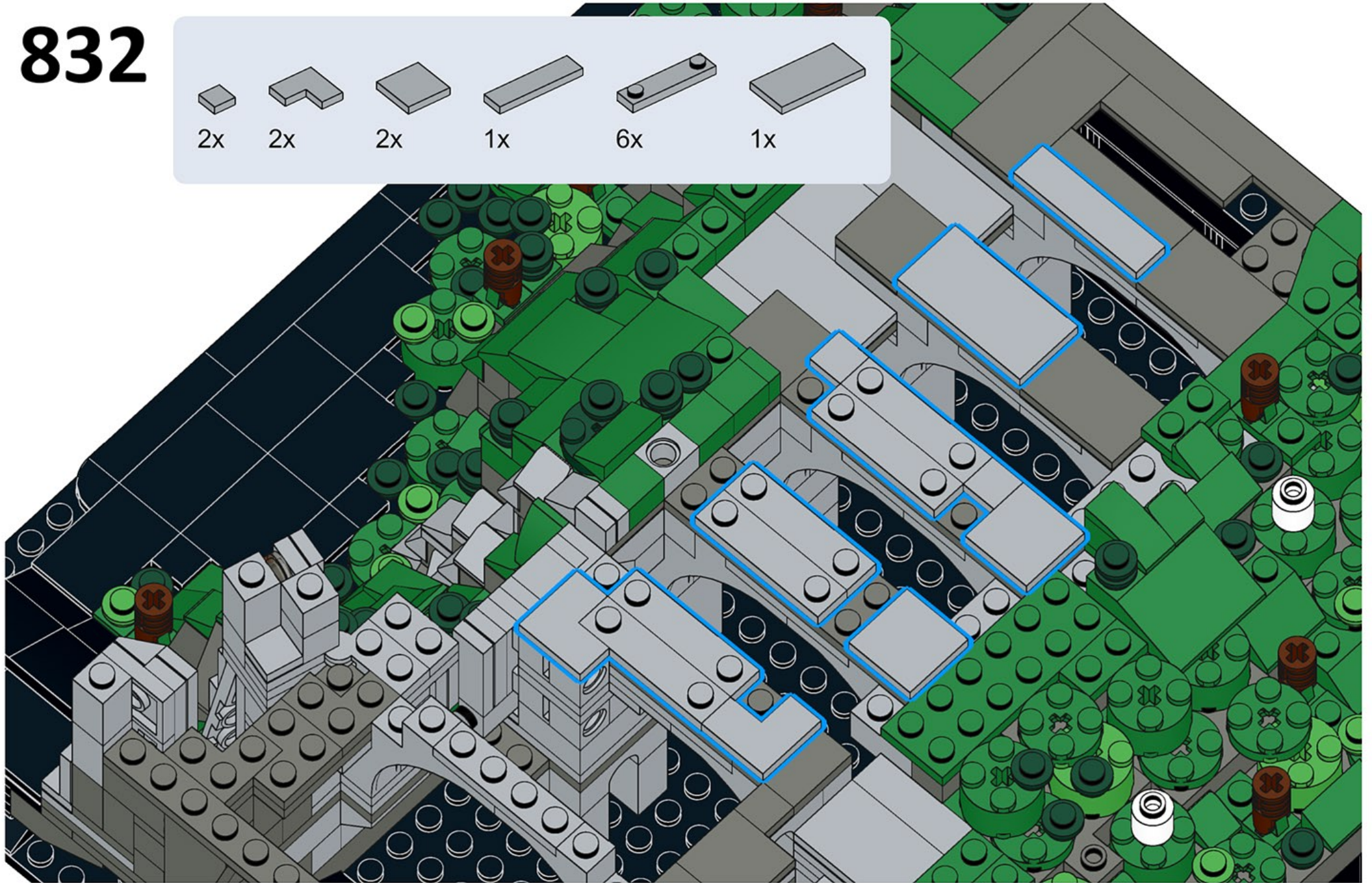


832

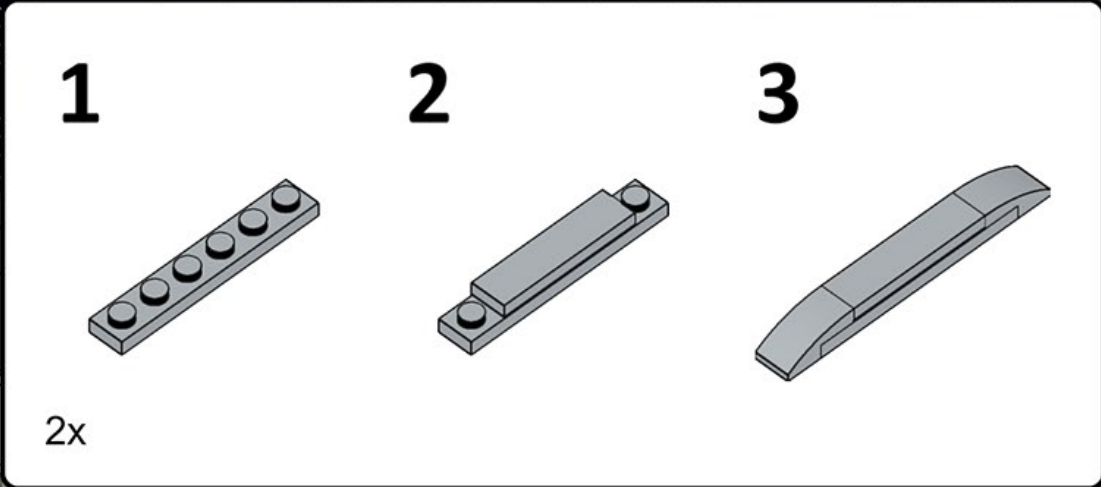
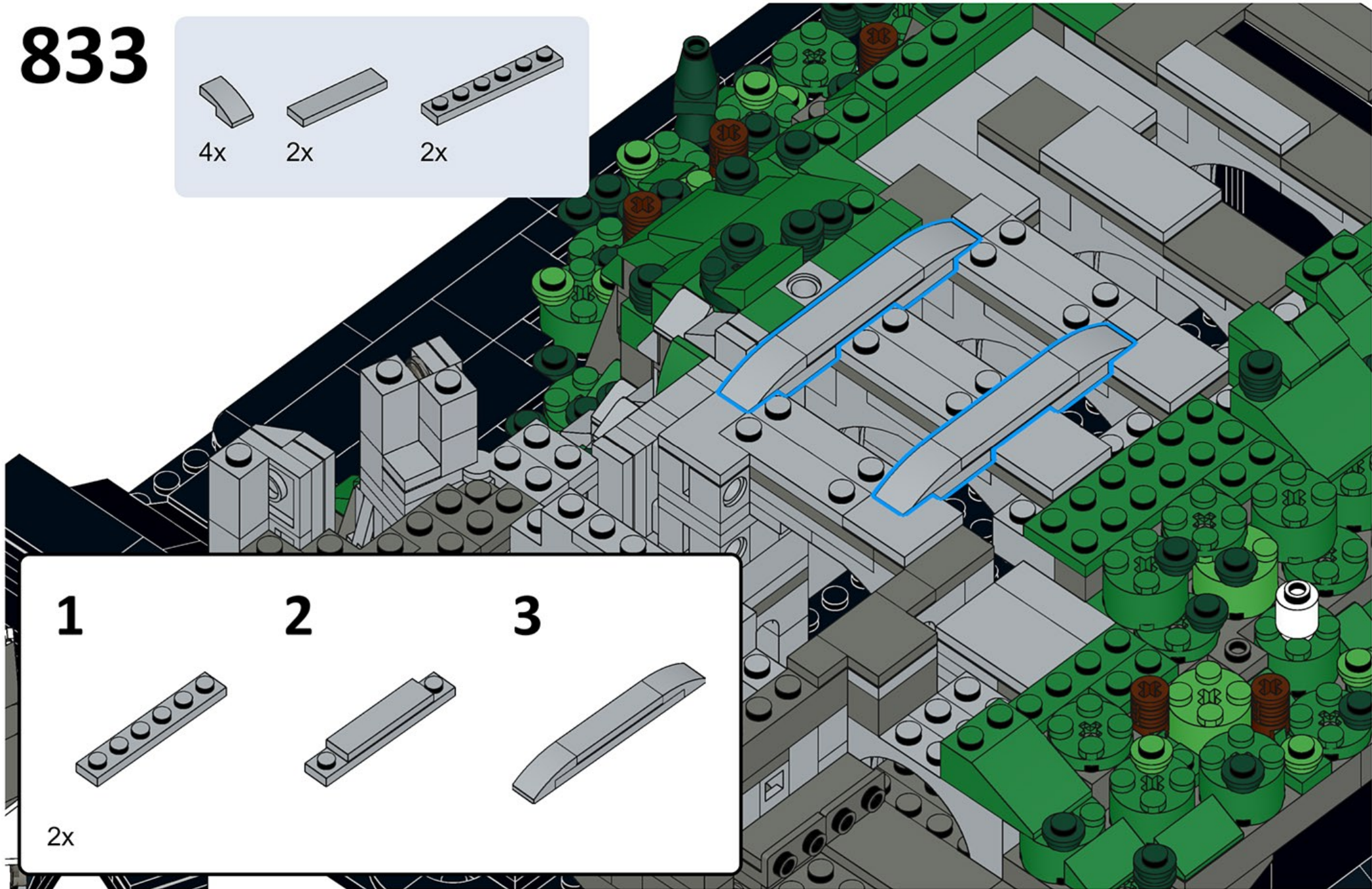
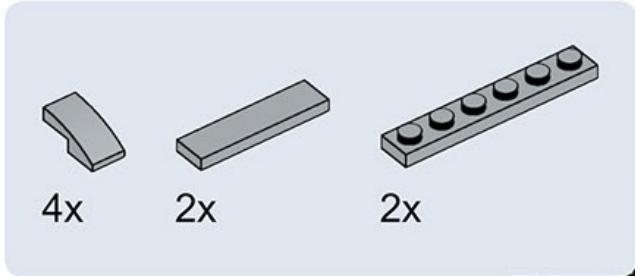


Parts list for step 832:

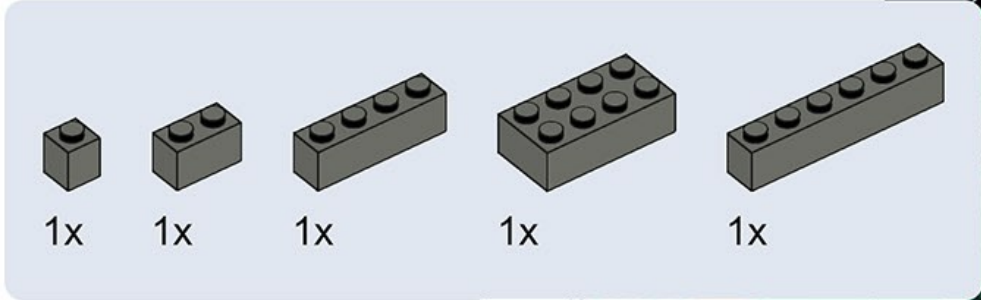
- 2x 1x1 grey Technic brick
- 2x 1x2 grey Technic L-shaped brick
- 2x 1x2 grey Technic flat plate
- 1x 1x4 grey Technic Technic brick
- 6x 1x6 grey Technic Technic brick with hole
- 1x 1x8 grey Technic Technic brick with hole



833

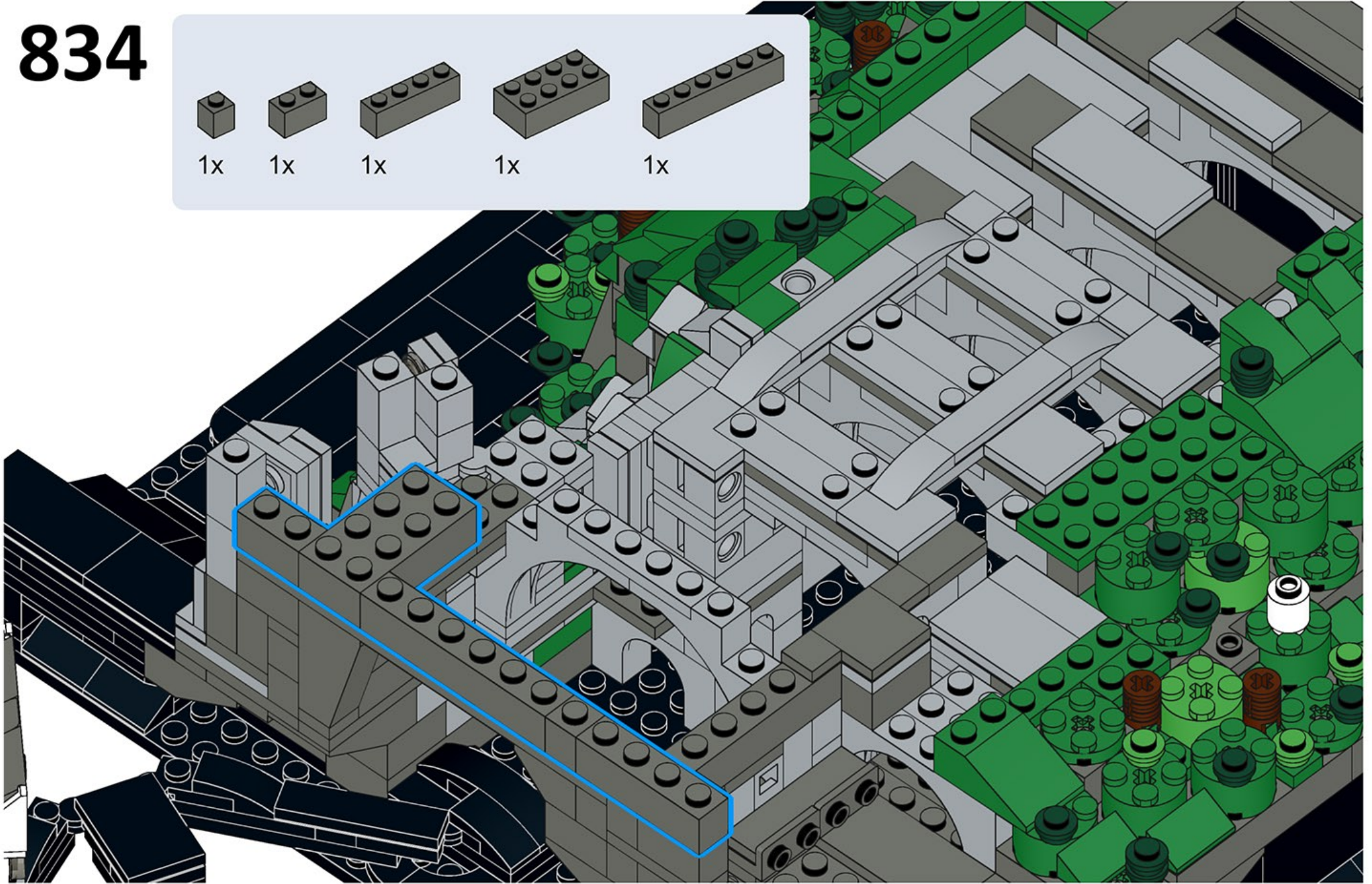


834

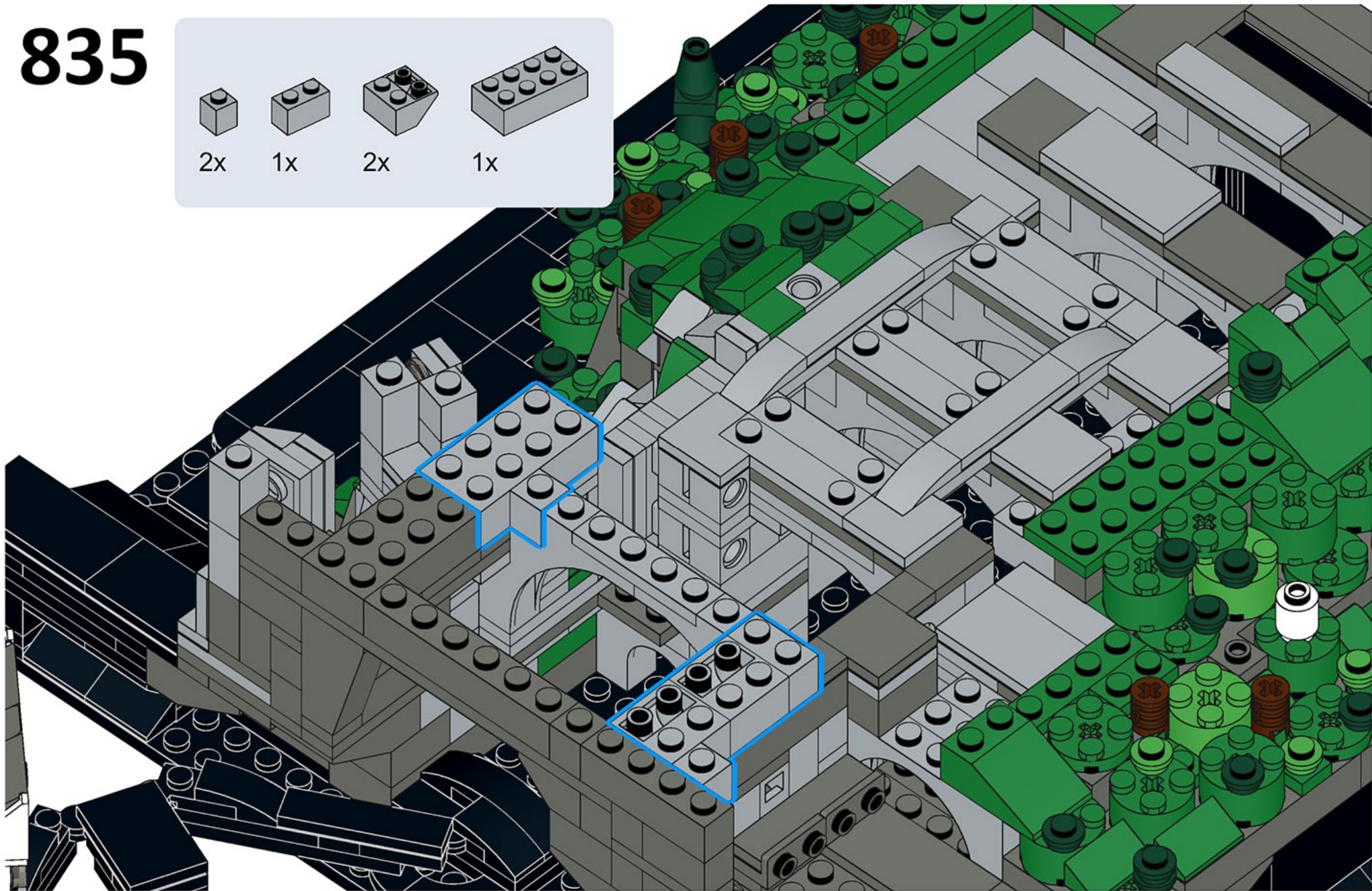
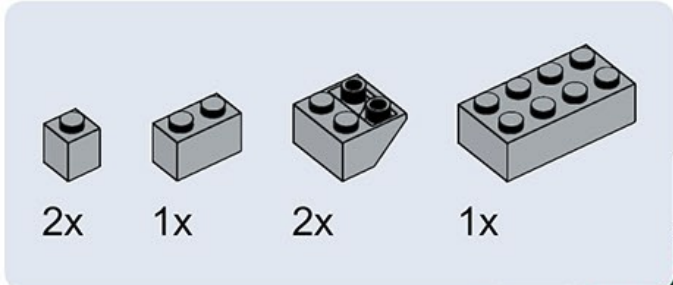


1x 1x 1x 1x 1x

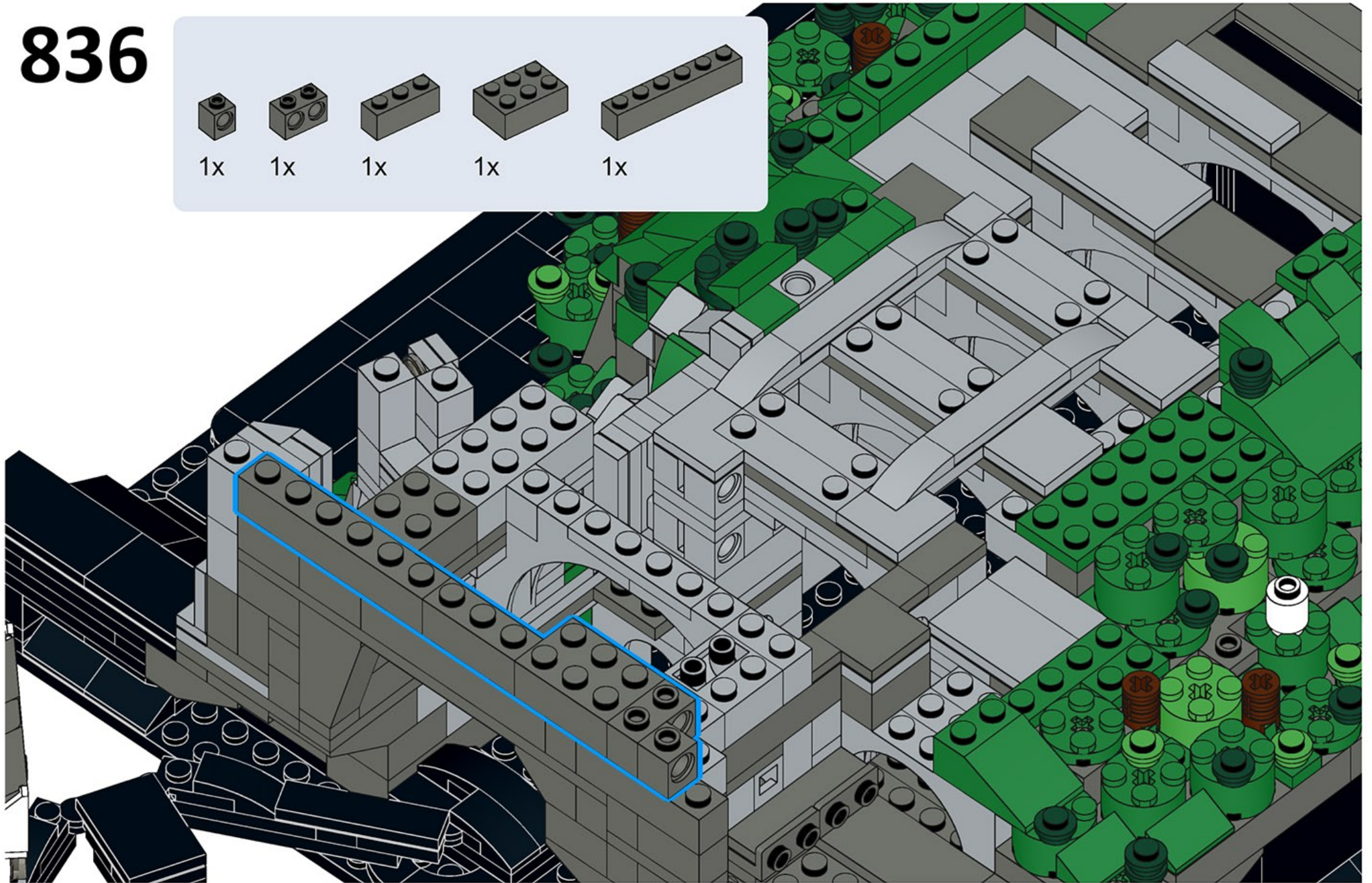
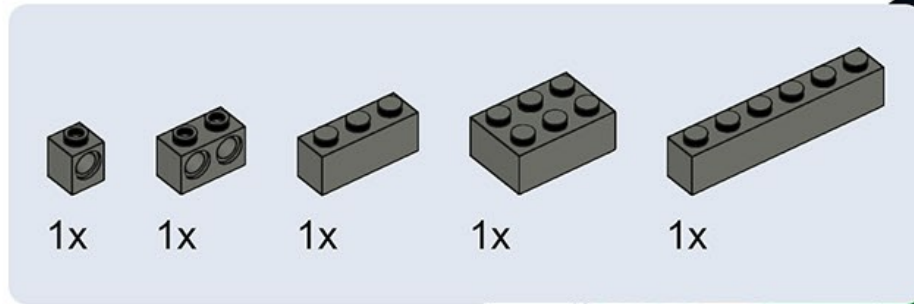
This block contains a list of five grey LEGO Technic parts, each with a '1x' quantity label below it. From left to right, the parts are: a 1-hole Technic brick, a 2-hole Technic brick, a 3-hole Technic brick, a 4-hole Technic brick, and a 5-hole Technic brick.



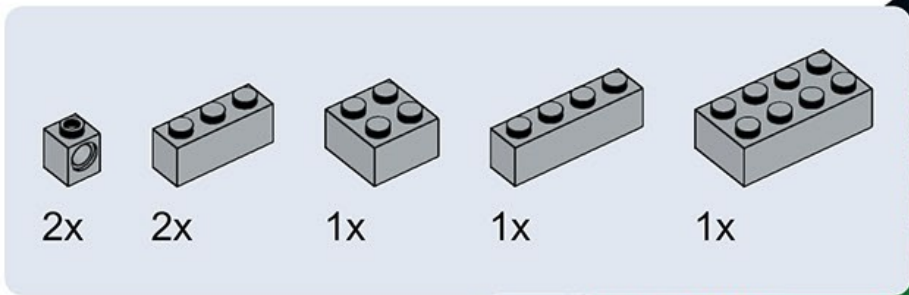
835


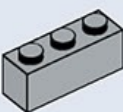
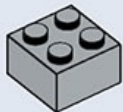
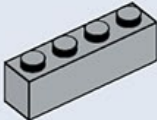



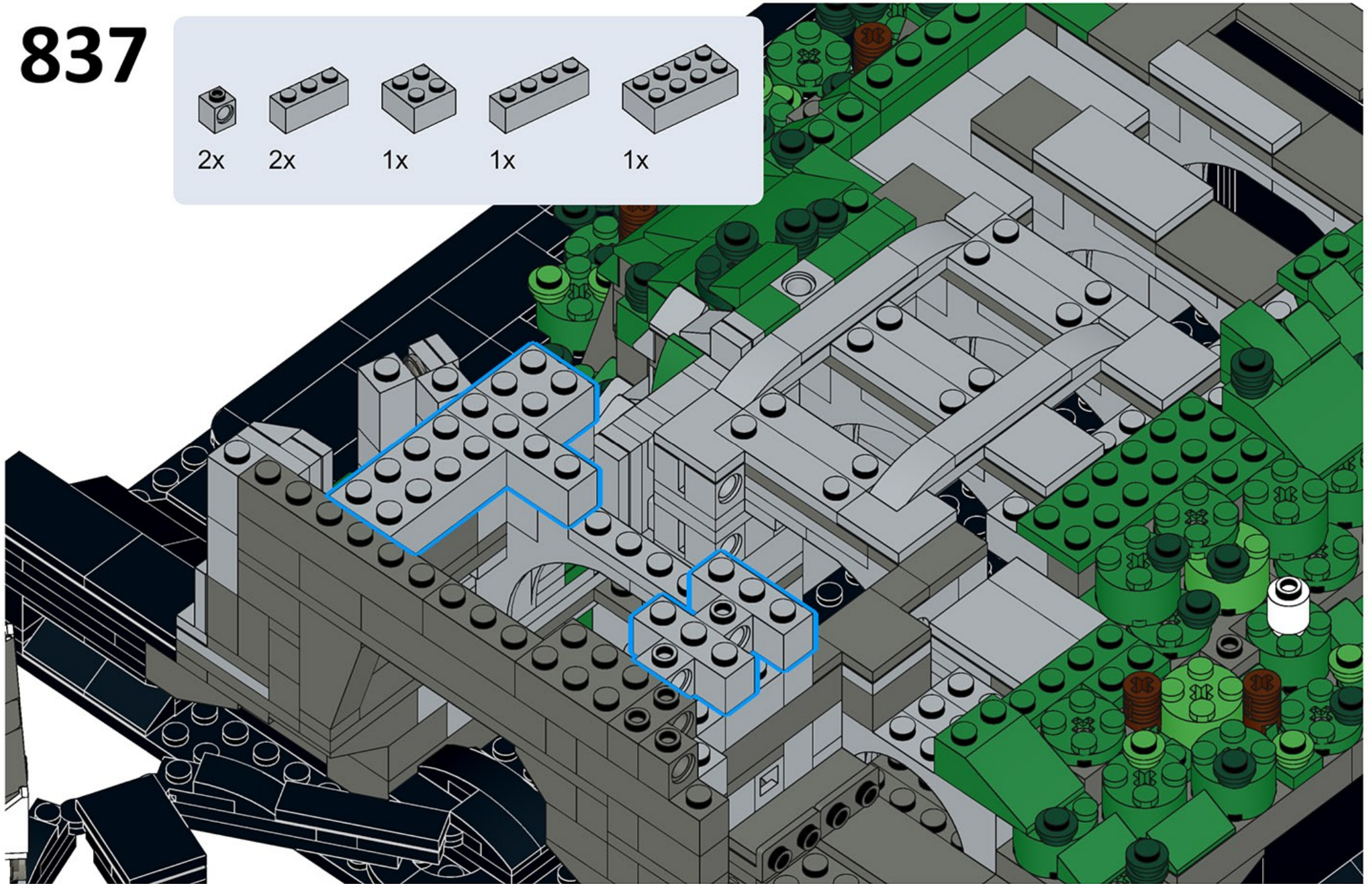
836



837



2x  2x  1x  1x  1x 



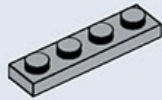
838



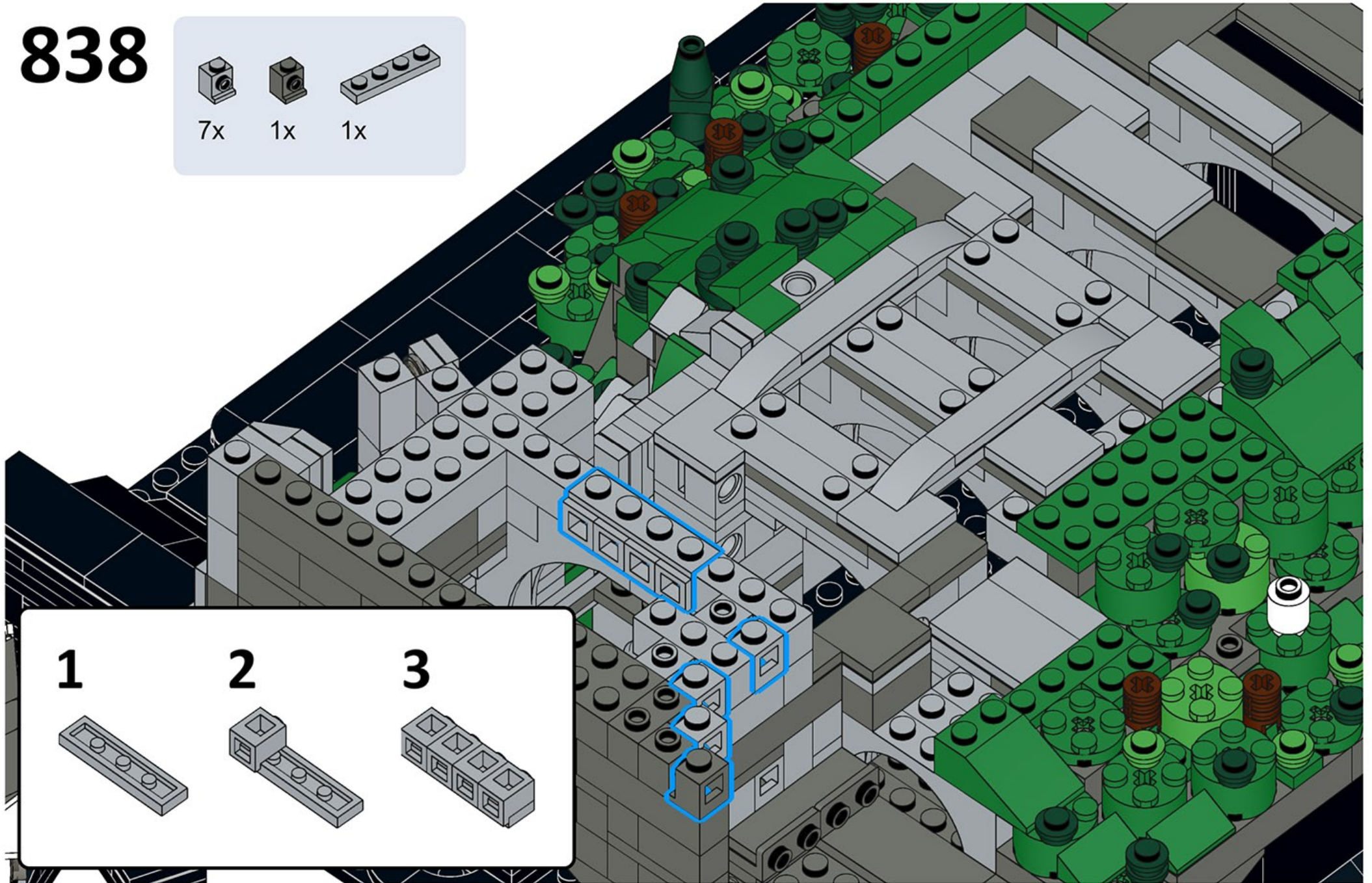
7x



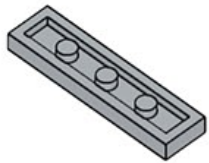
1x



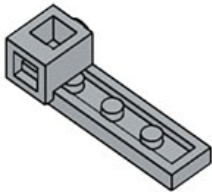
1x



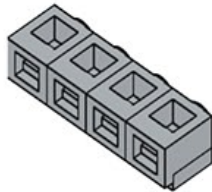
1



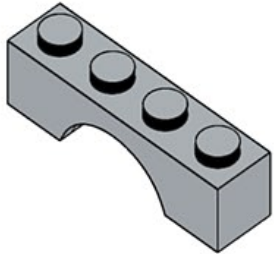
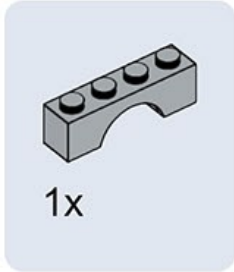
2



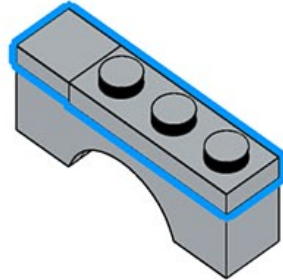
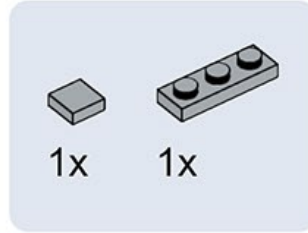
3



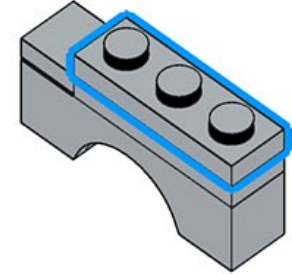
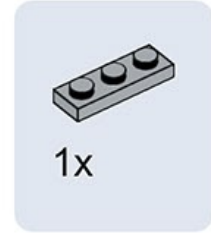
839



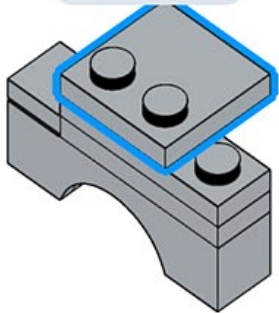
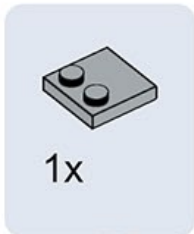
840



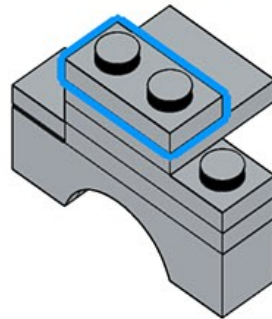
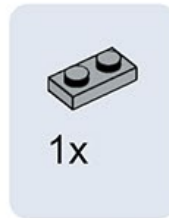
841



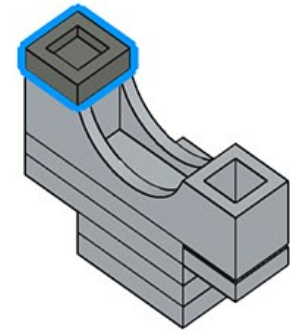
842



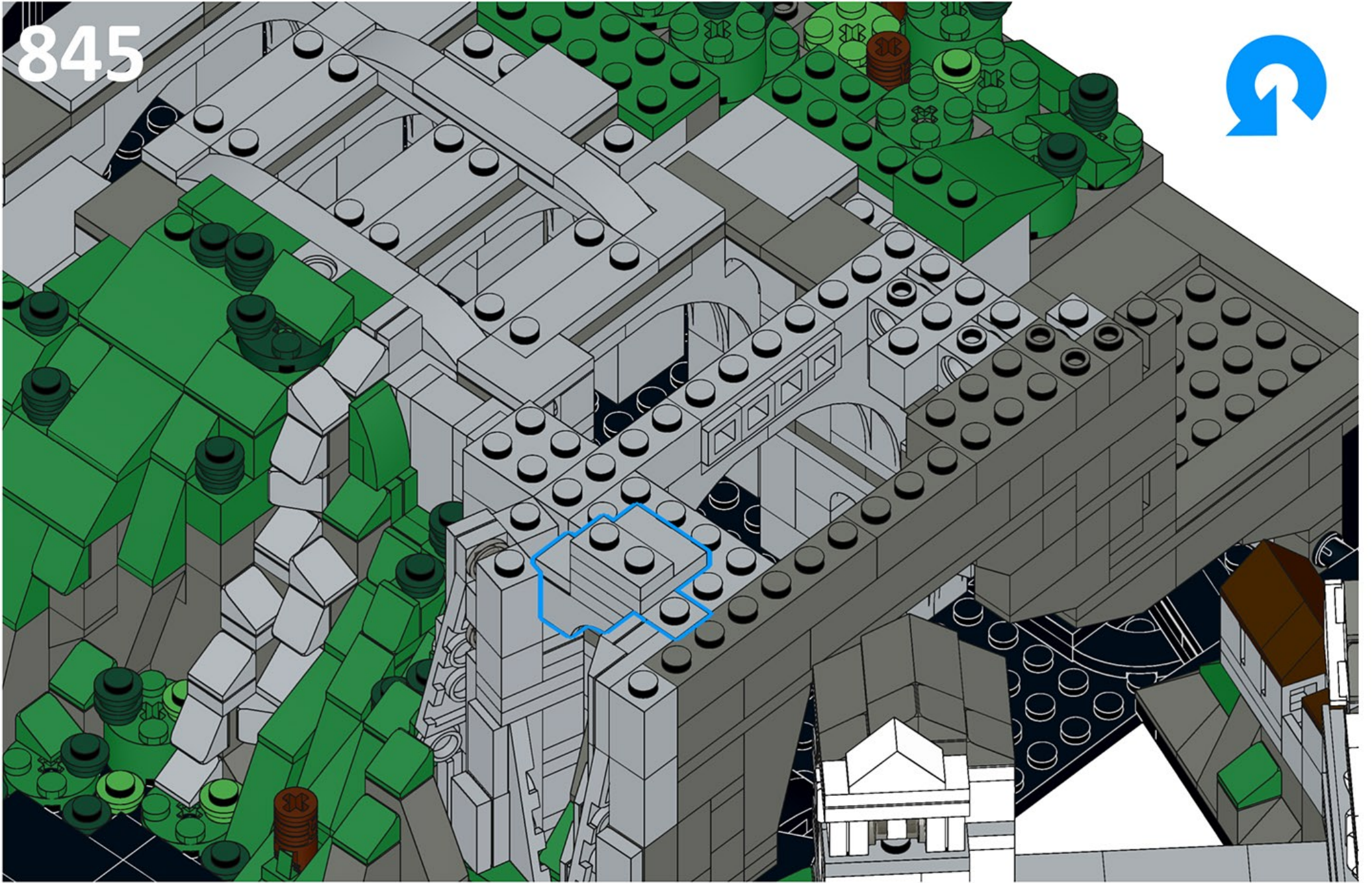
843





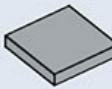
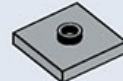


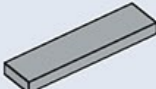

844

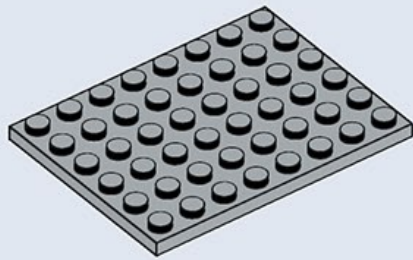


845

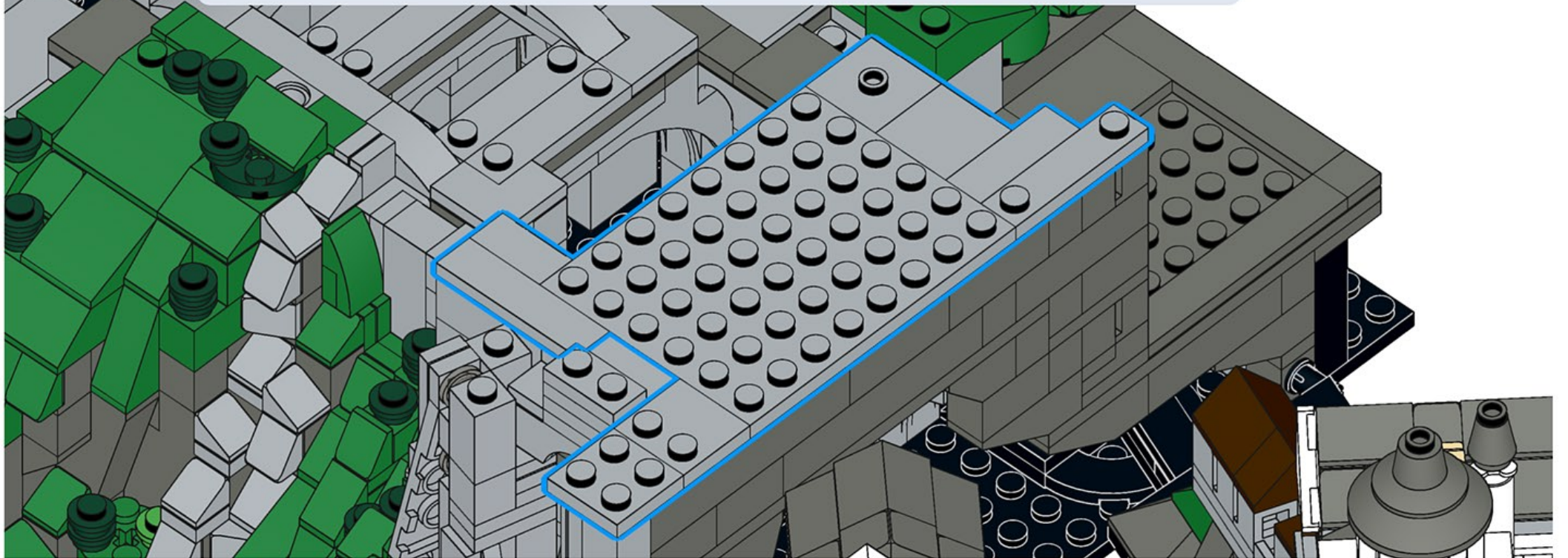


846

- 1x 
- 1x 
- 1x 
- 1x 
- 1x 
- 1x 
- 1x 
- 1x 



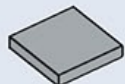
1x



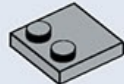
847



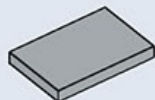
1x



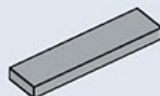
1x



4x

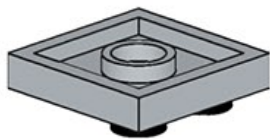


4x

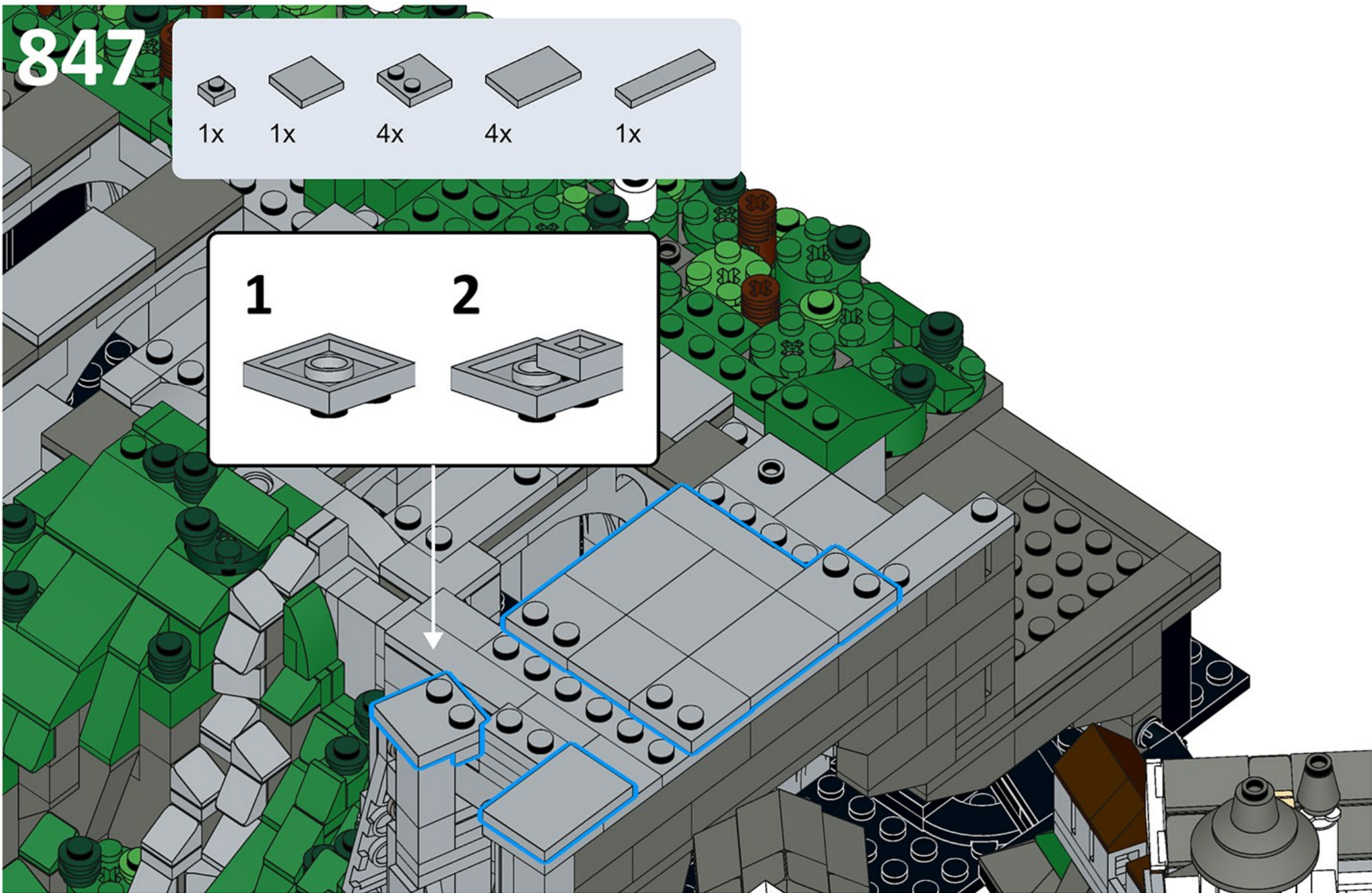
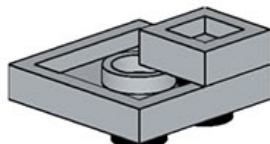


1x



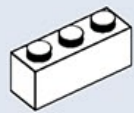
1

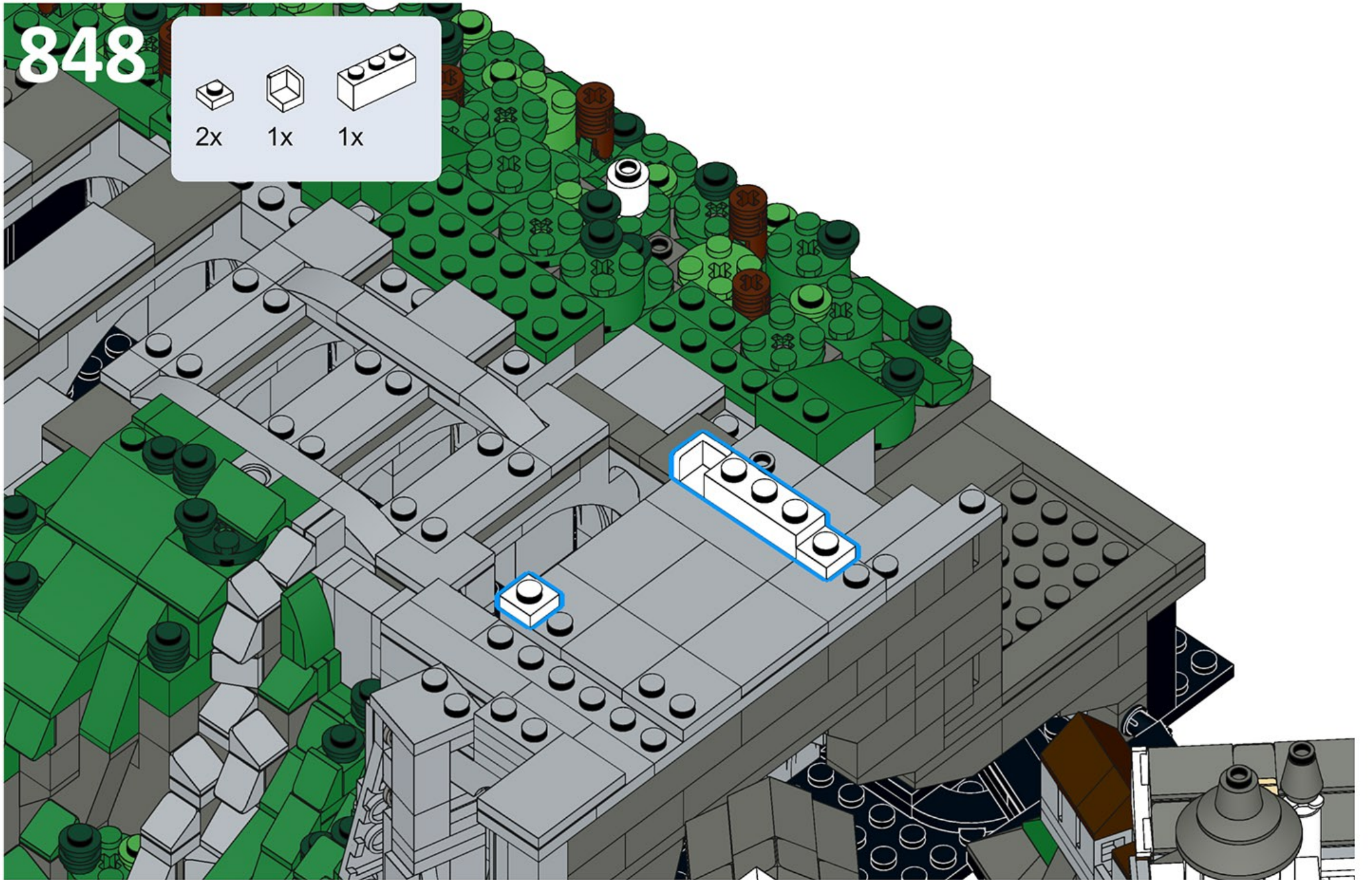


2



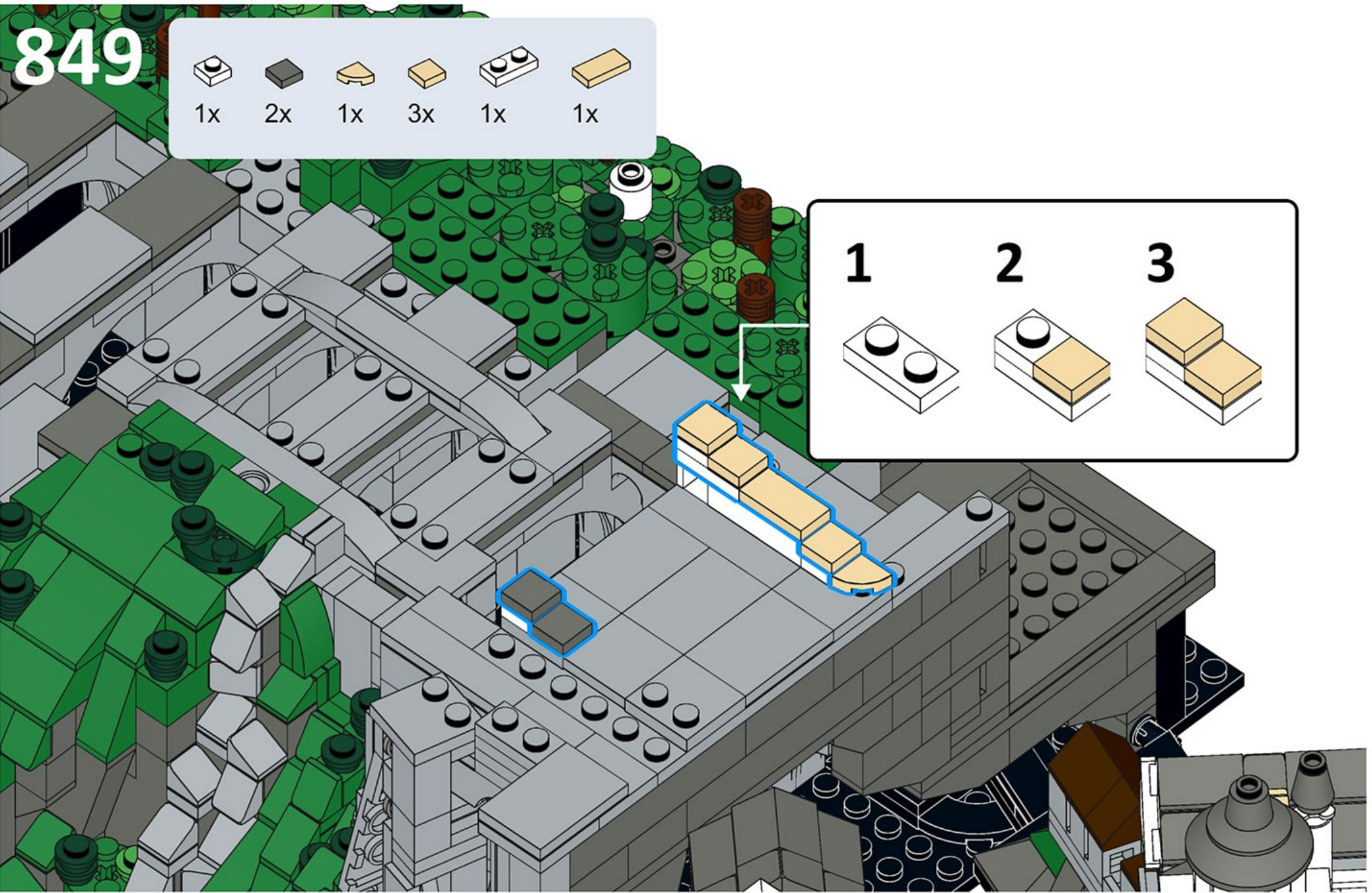
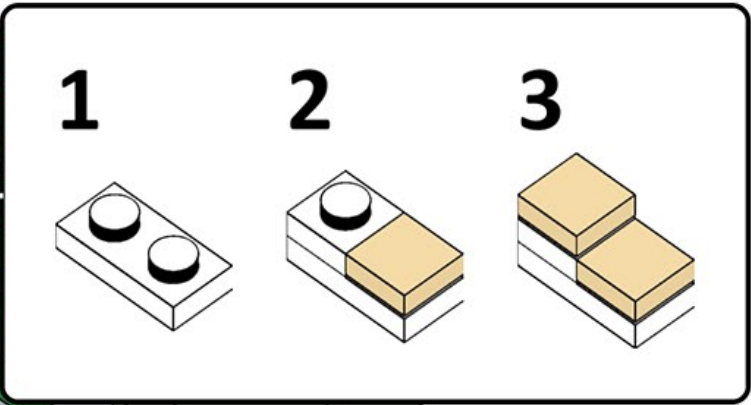
848

		
2x	1x	1x

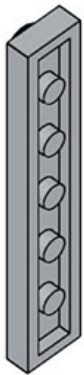
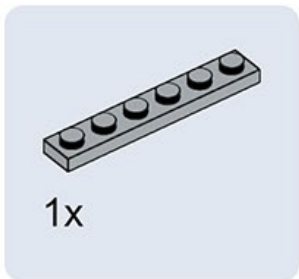


849

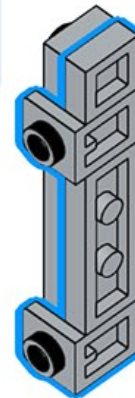
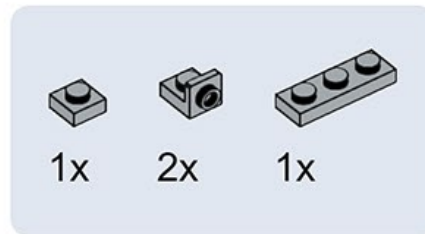
-  1x
-  2x
-  1x
-  3x
-  1x
-  1x



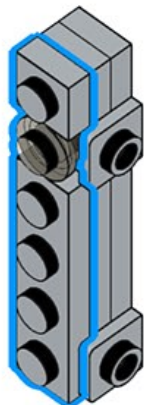
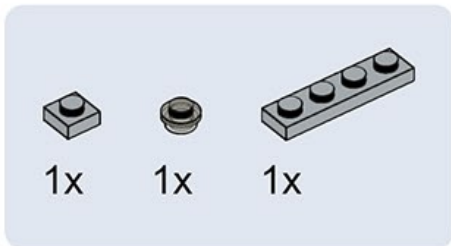
850



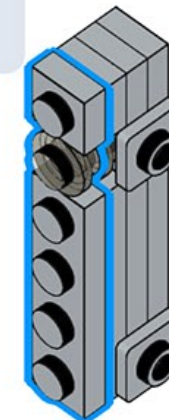
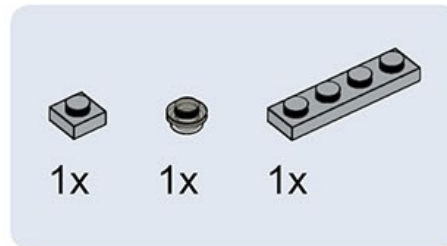
851



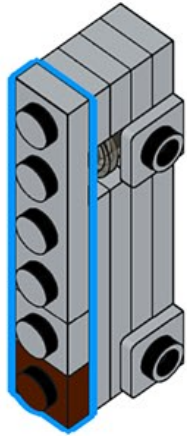
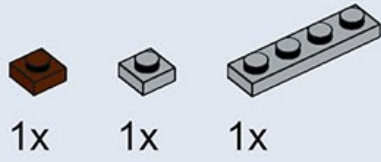
852



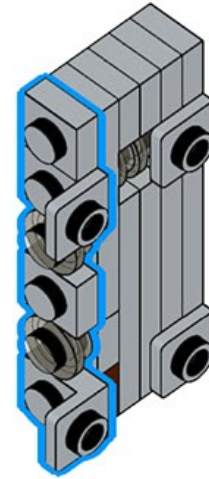
853



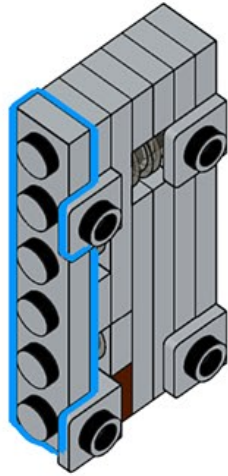
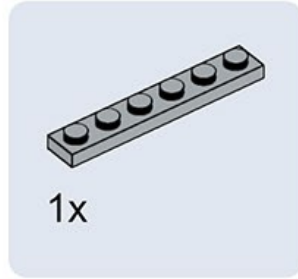
854



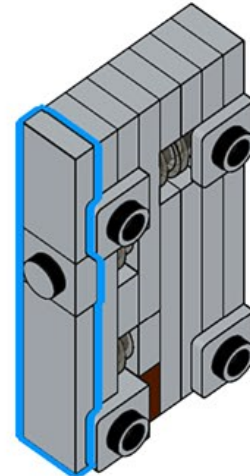
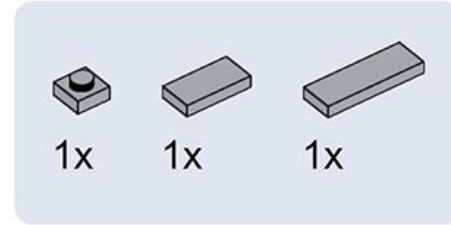
855



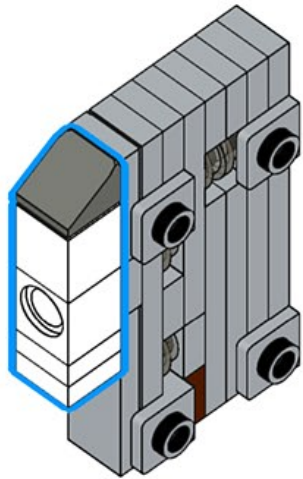
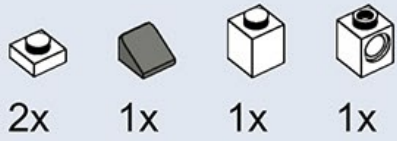
856



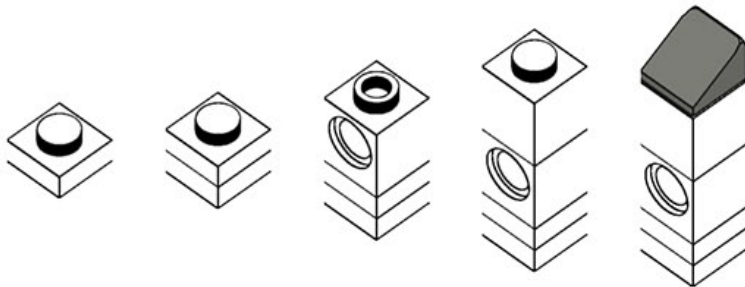
857



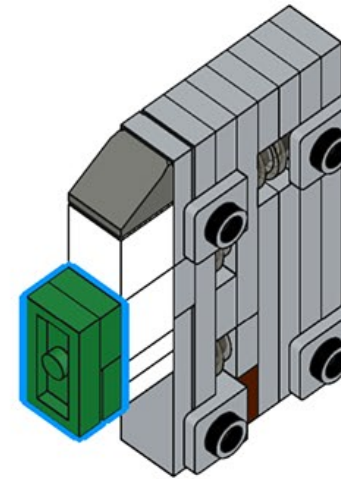
858



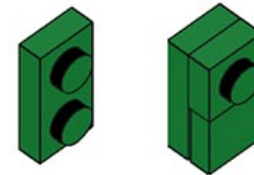
1 **2** **3** **4** **5**



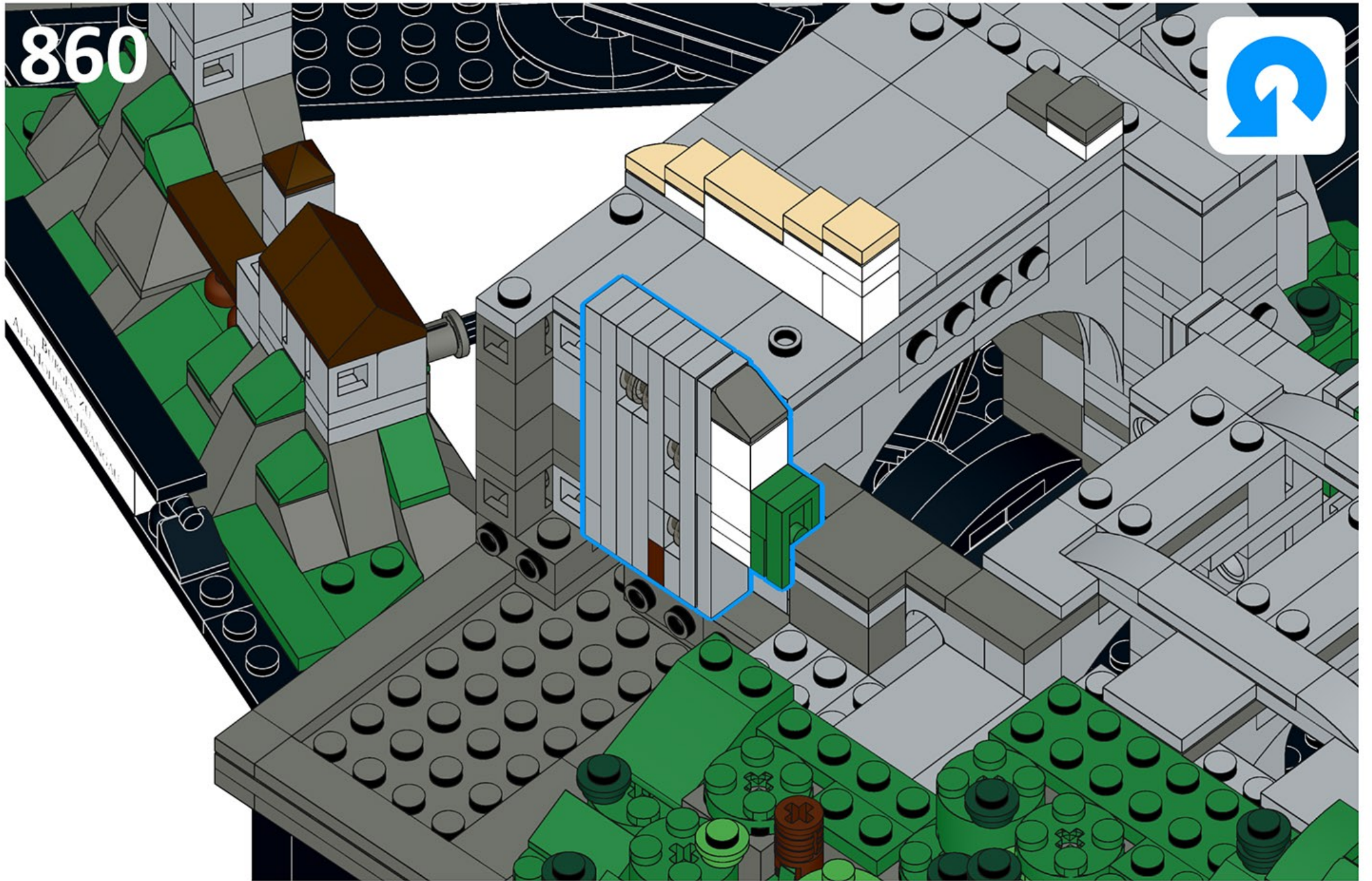
859



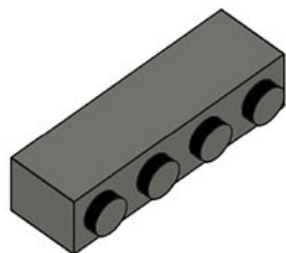
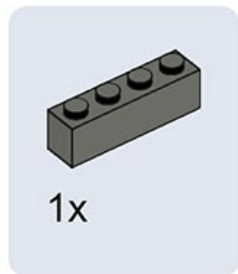
1 **2**



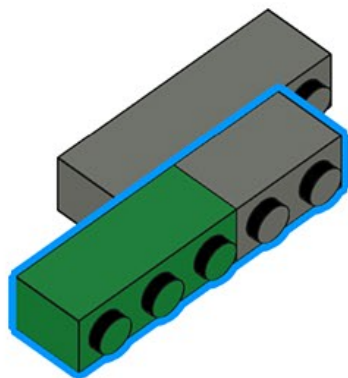
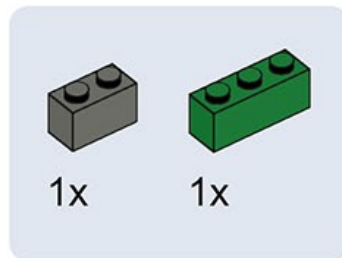
860



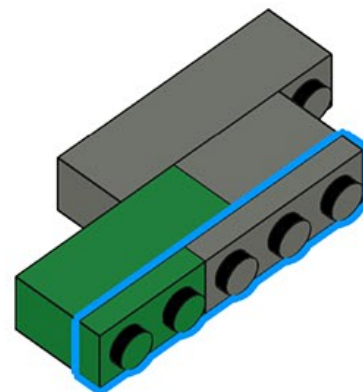
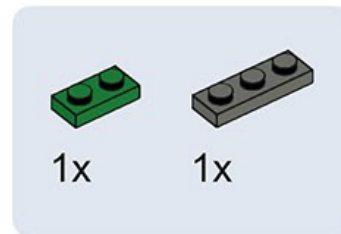
861



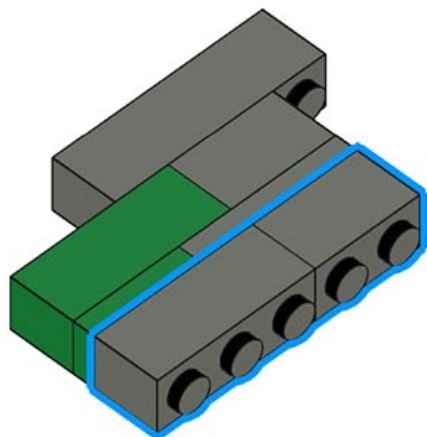
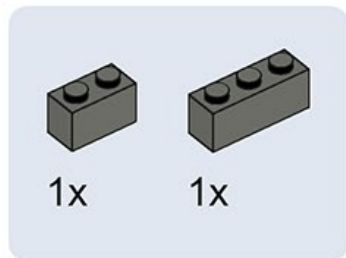
862



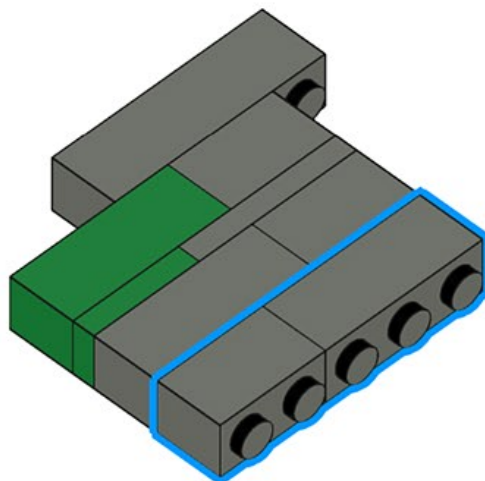
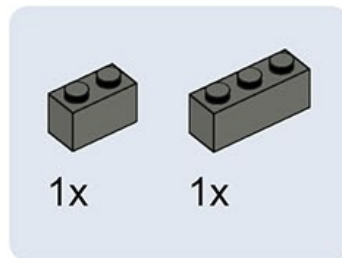
863



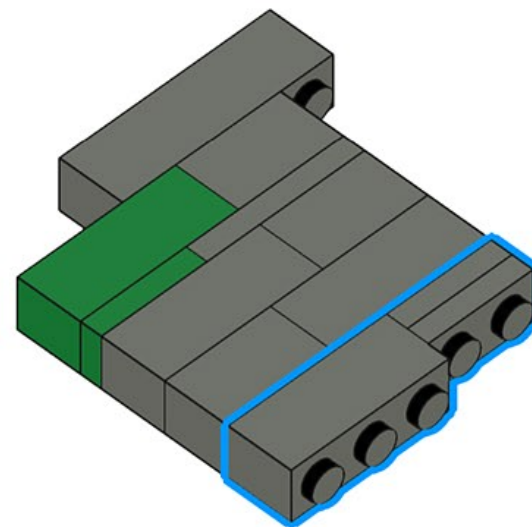
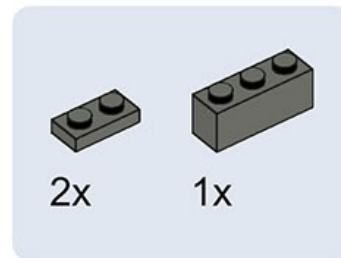
864



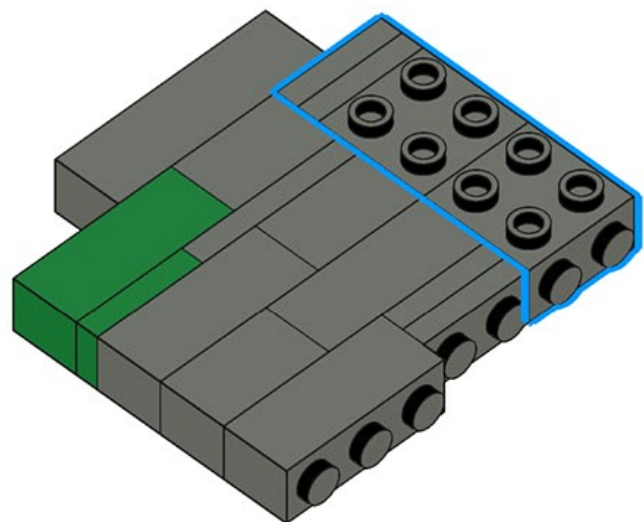
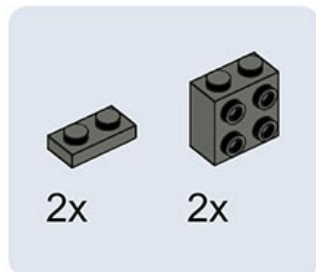
865



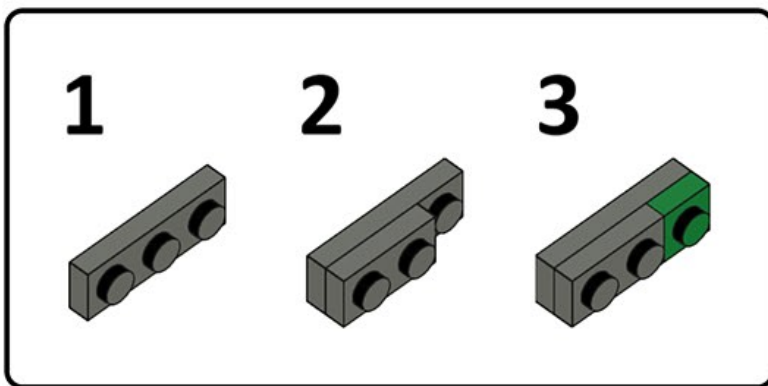
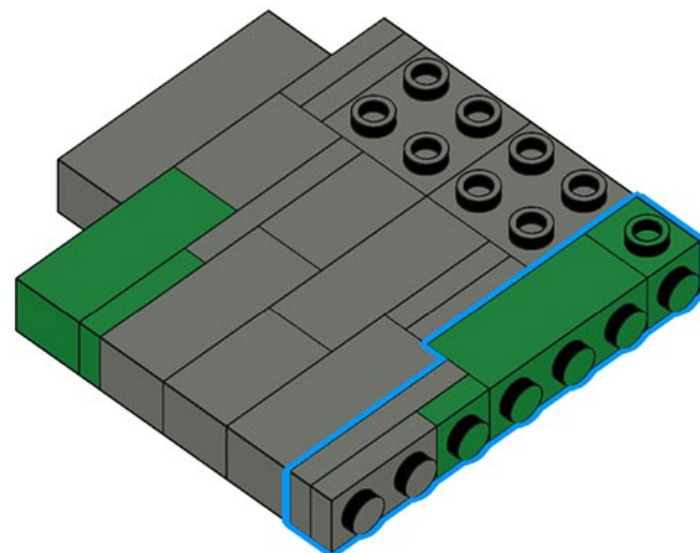
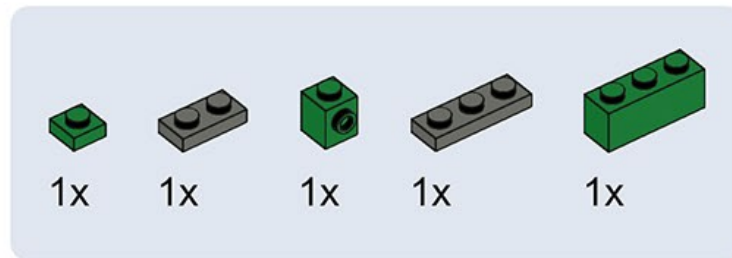
866



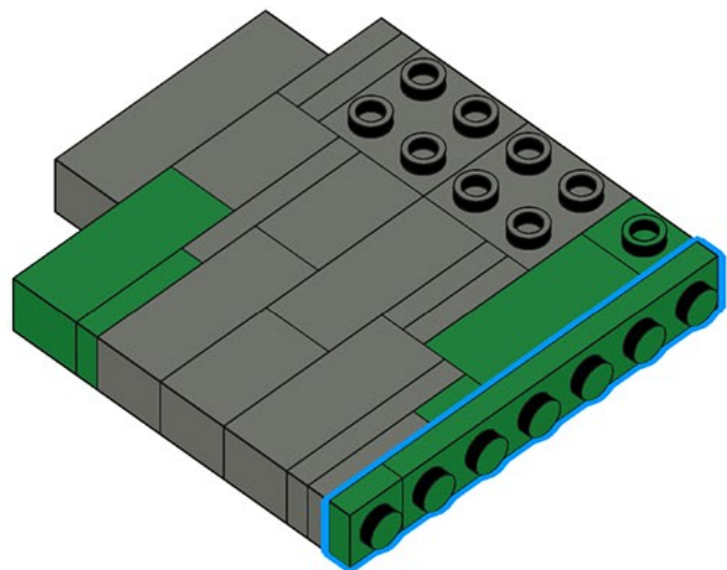
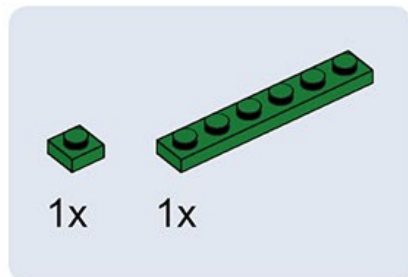
867



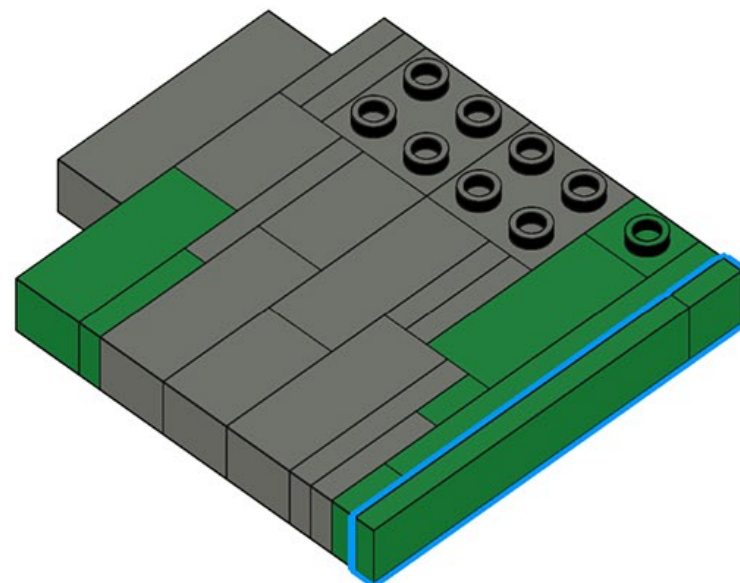
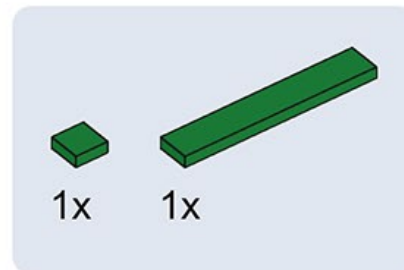
868



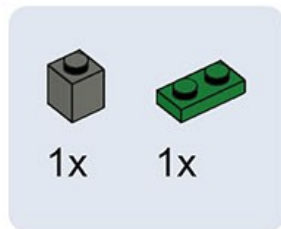
869



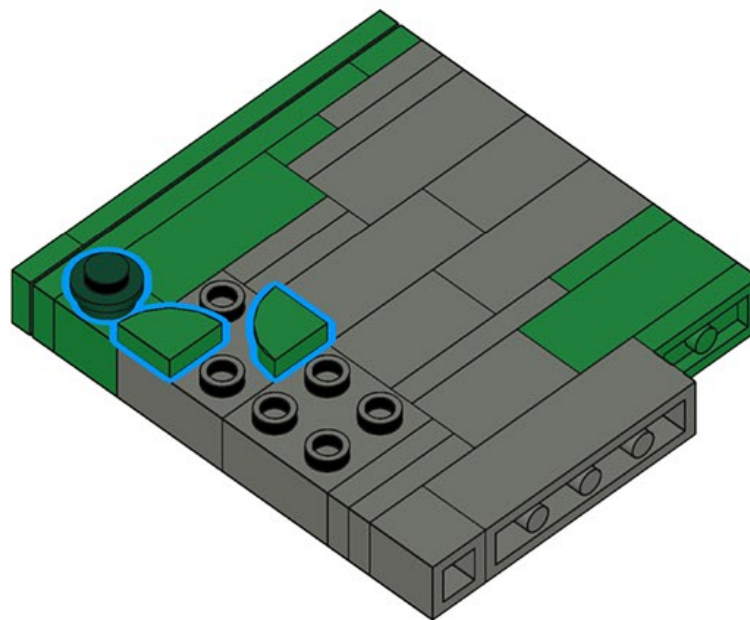
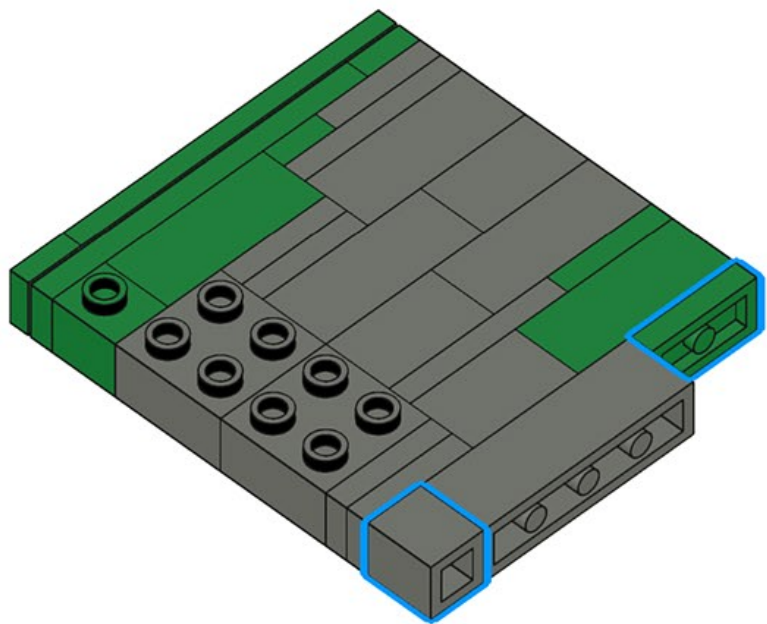
870



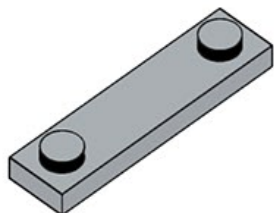
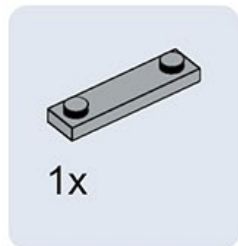
871



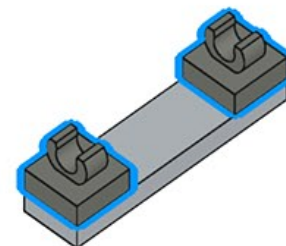
872



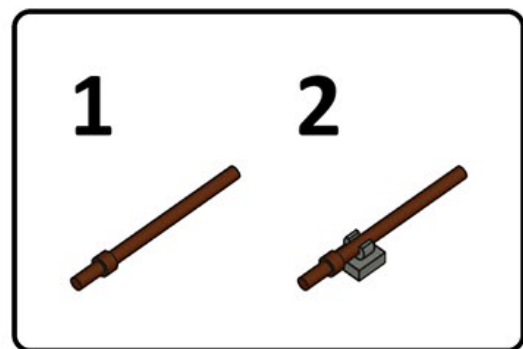
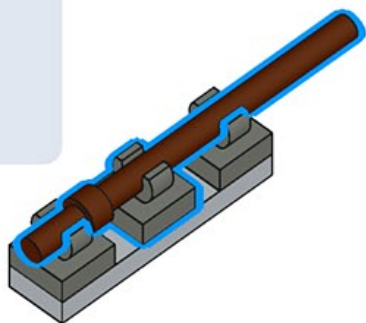
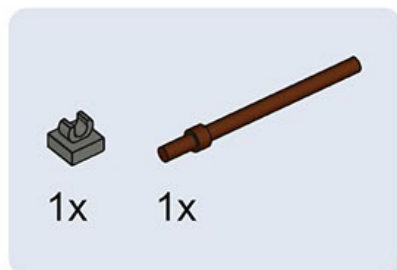
873



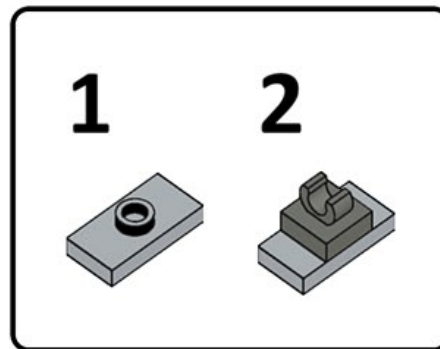
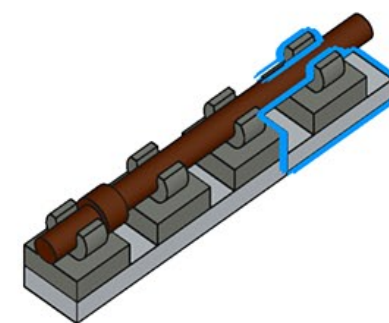
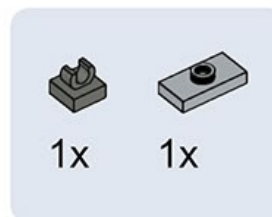
874



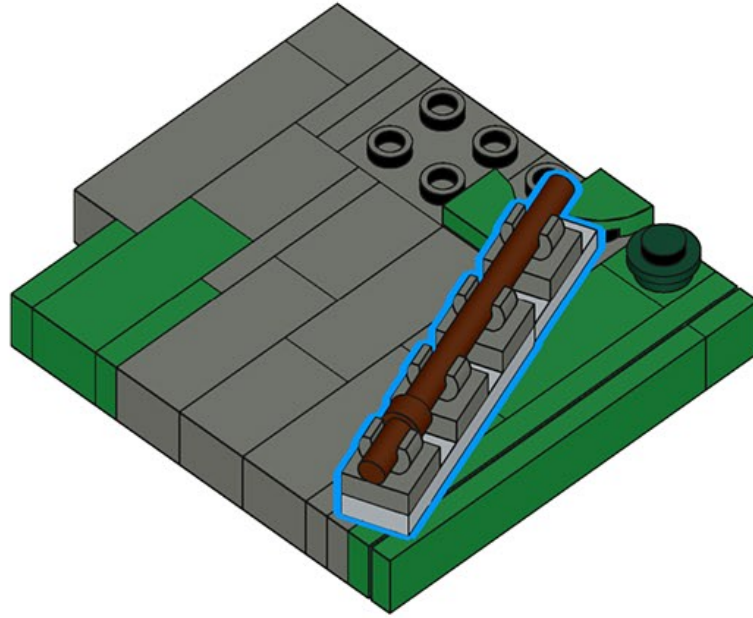
875



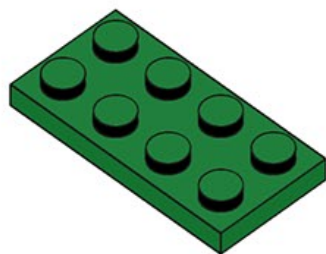
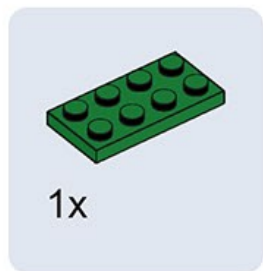
876



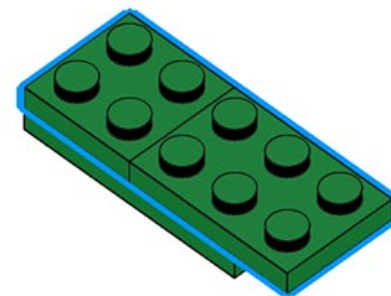
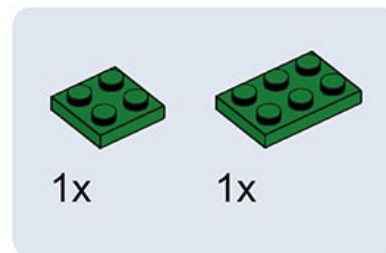
877



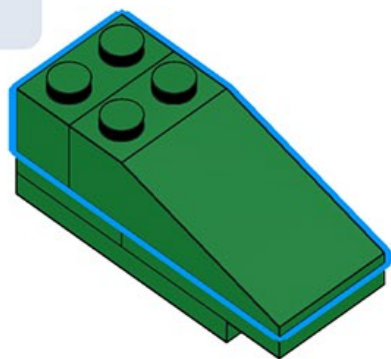
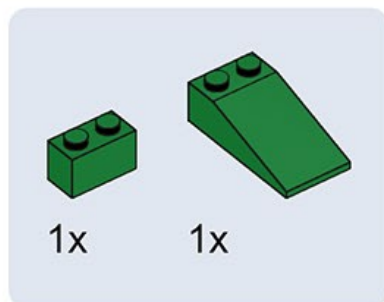
878



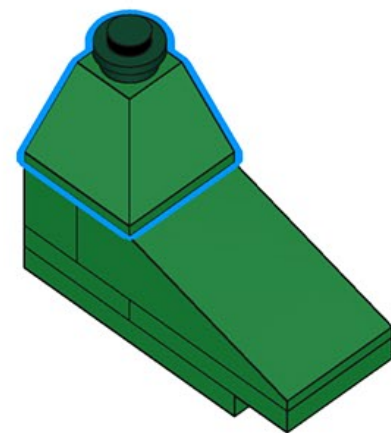
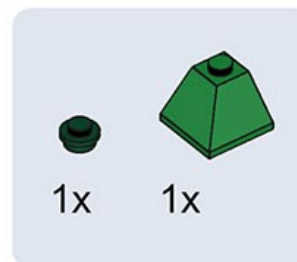
879



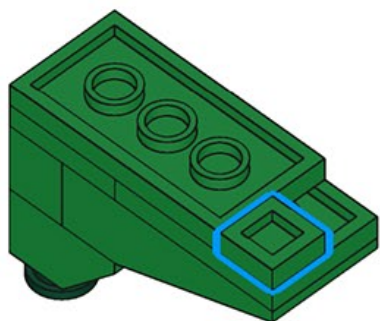
880



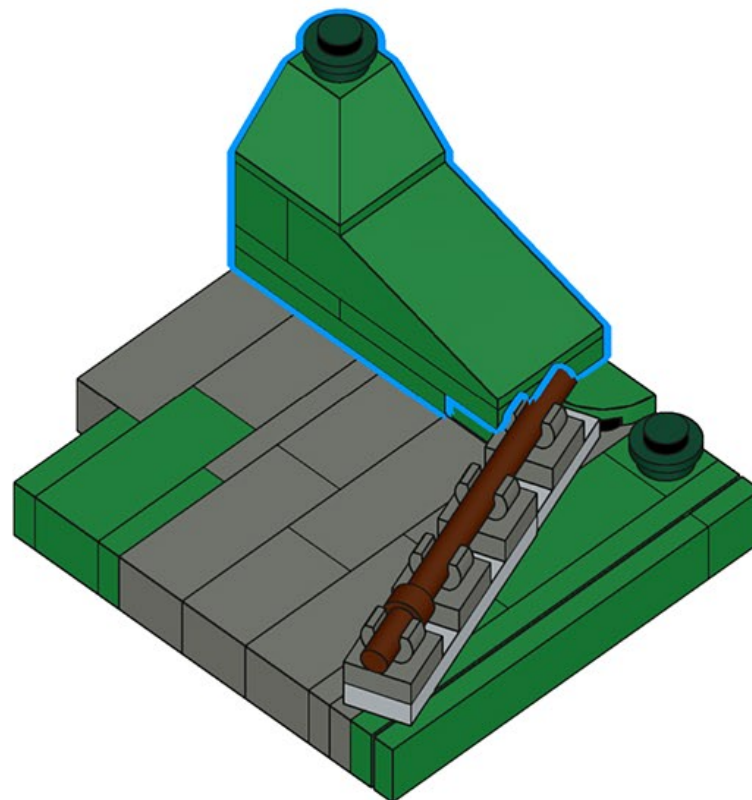
881



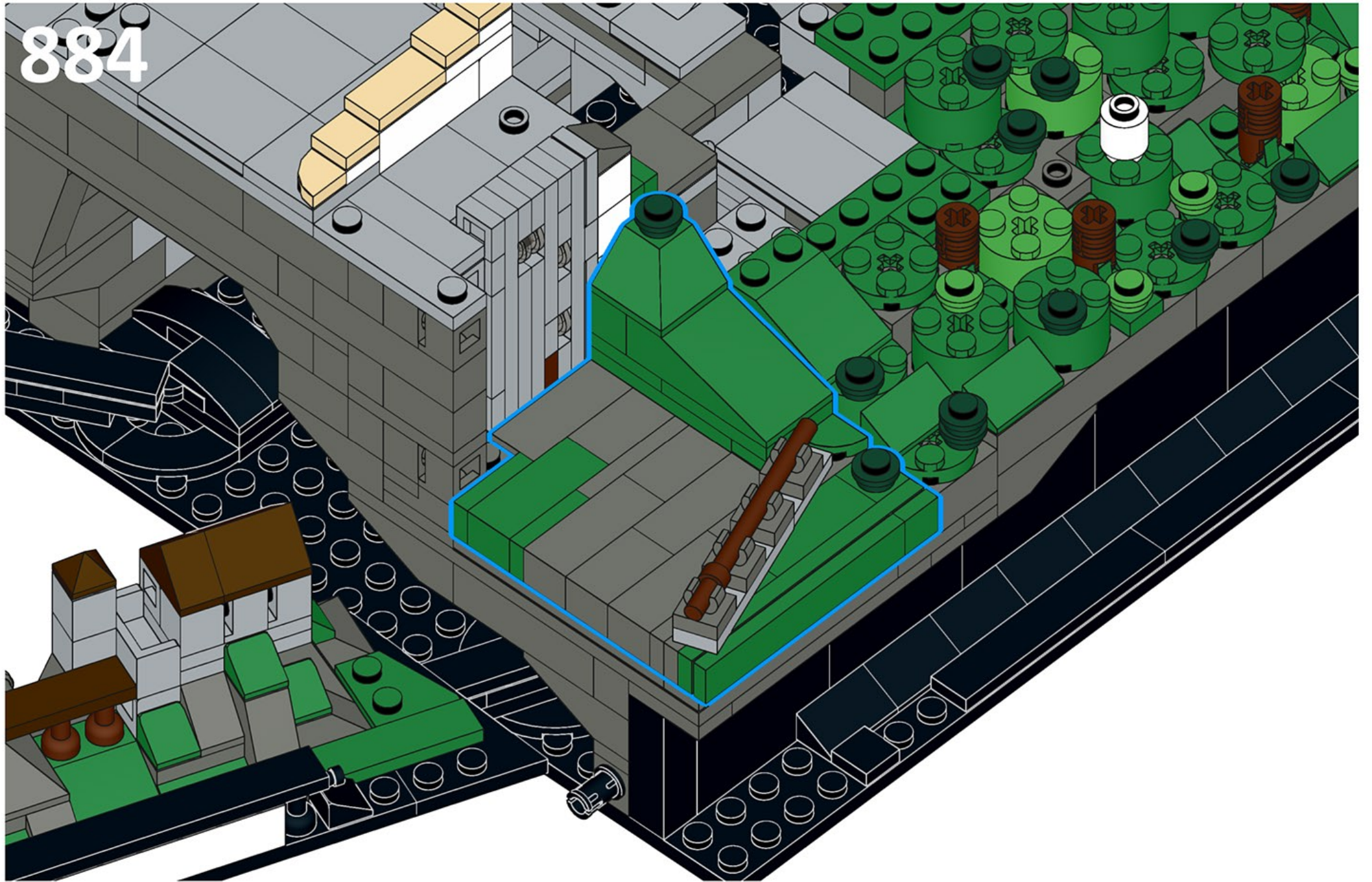
882



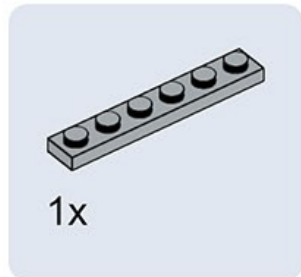
883



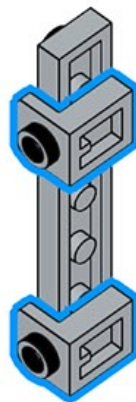
884



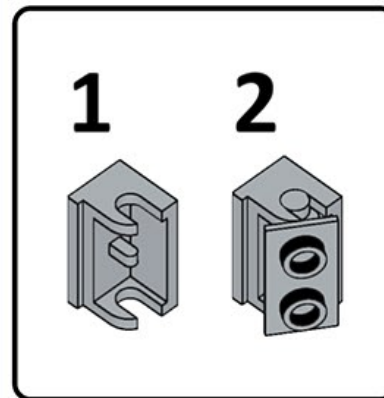
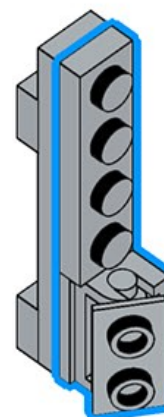
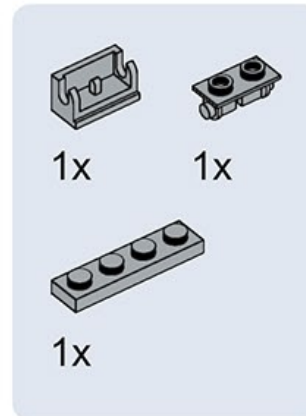
885



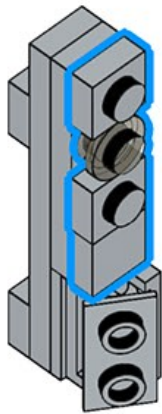
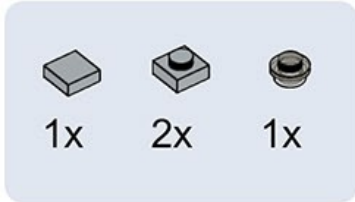
886



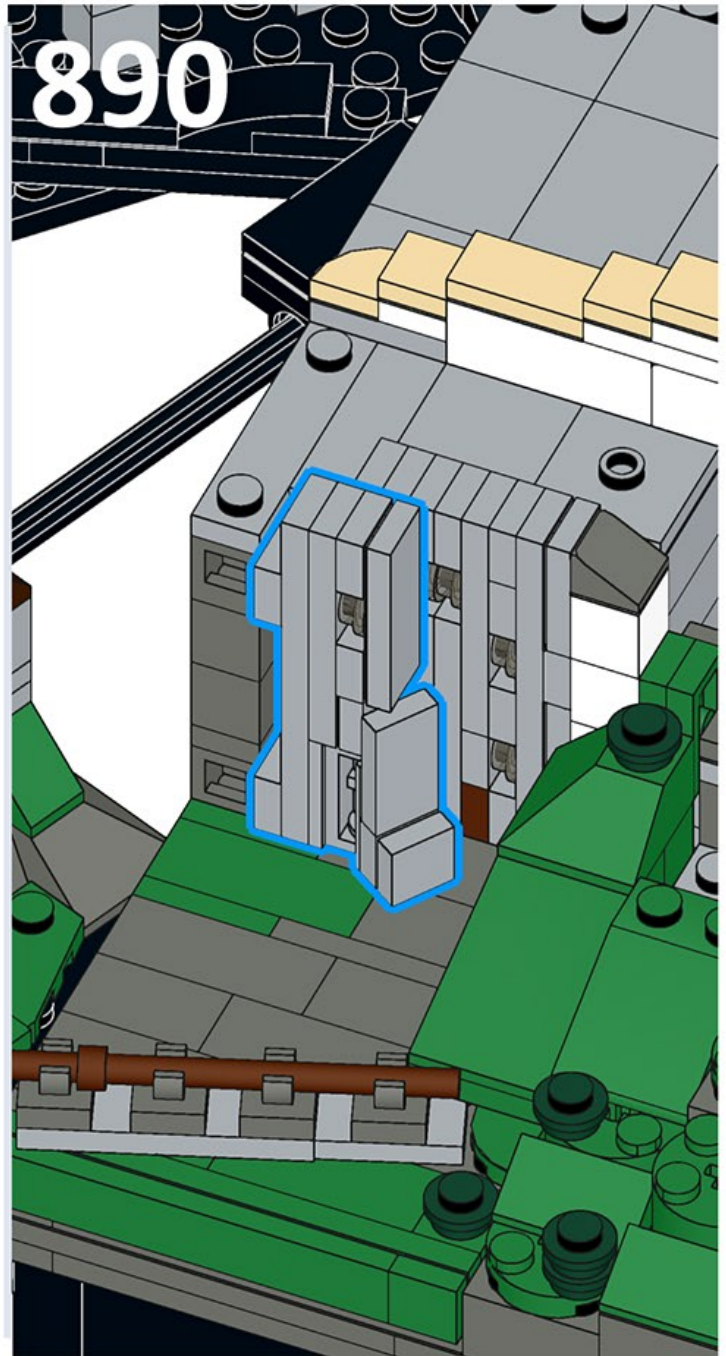
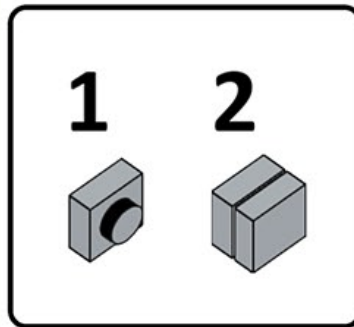
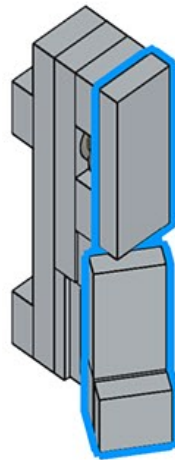
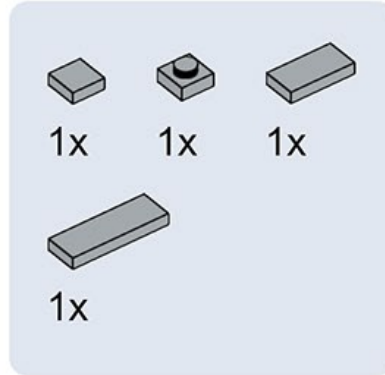
887



888



889

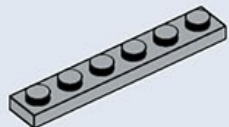


891

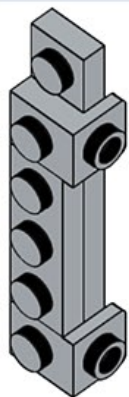


2x

1x



1x



892



1x

2x

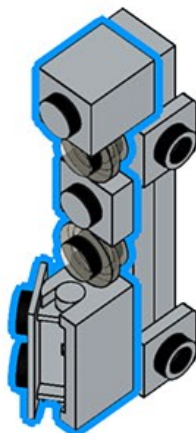
1x



1x



1x



1

2

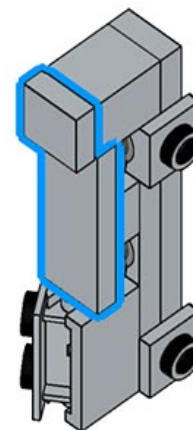


893

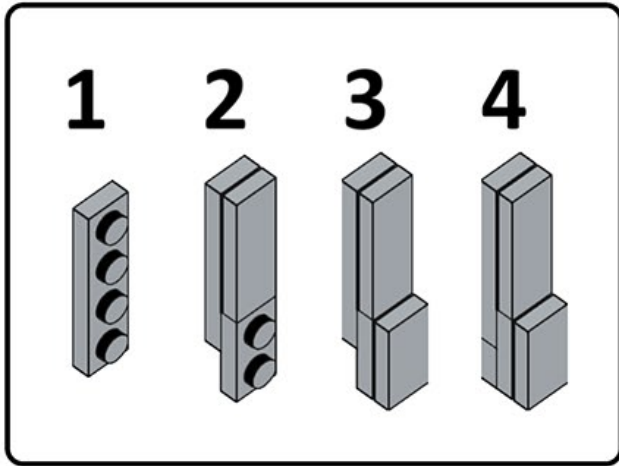
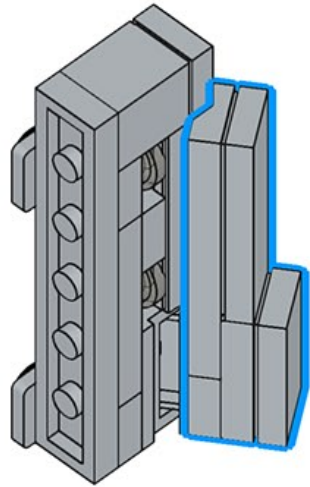
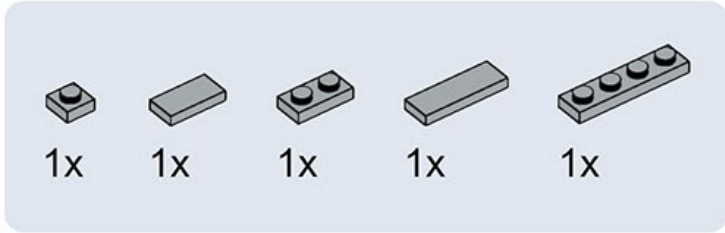


1x

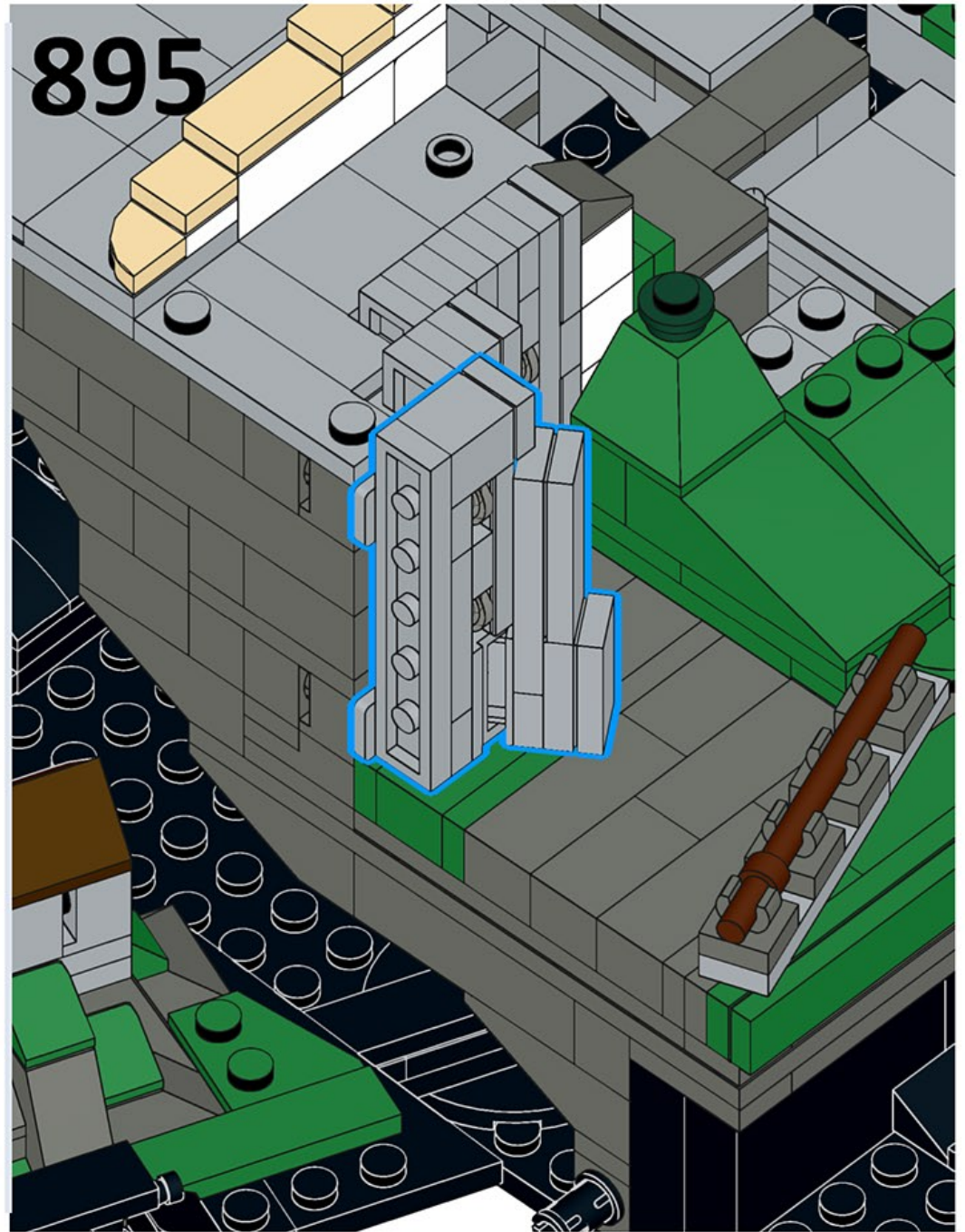
1x



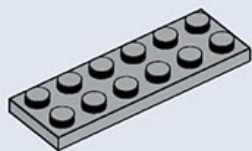
894



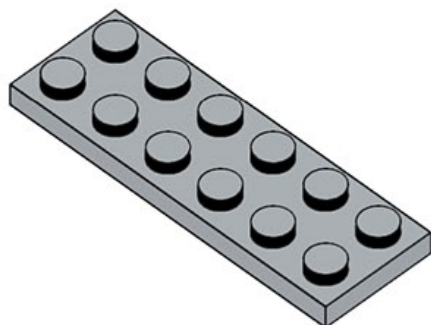
895



896



1x



897



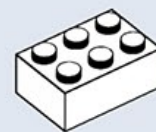
1x



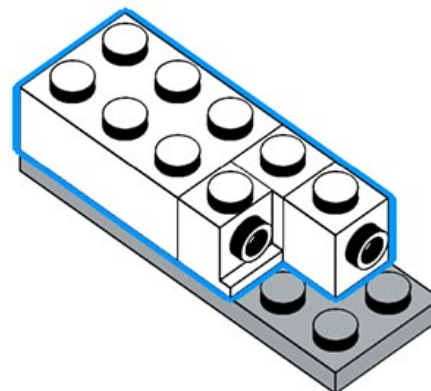
1x



1x



1x



898



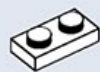
1x



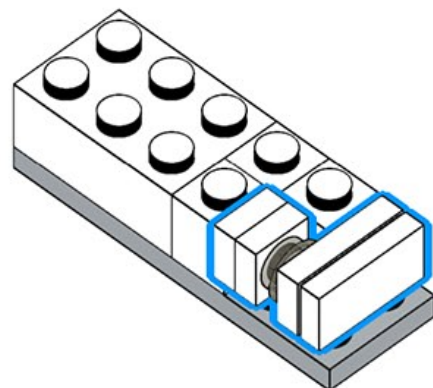
2x



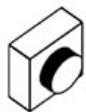
1x



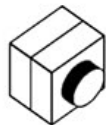
1x



1



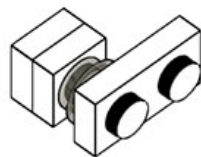
2



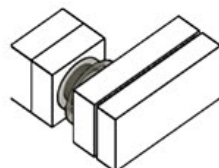
3



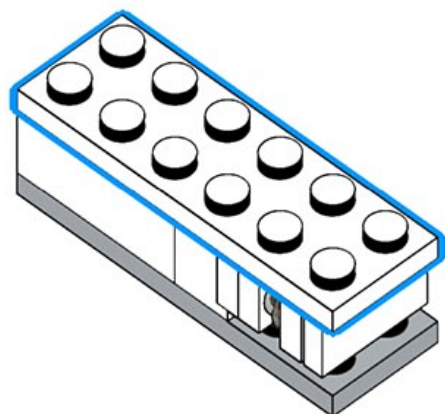
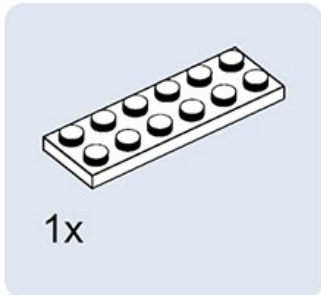
4



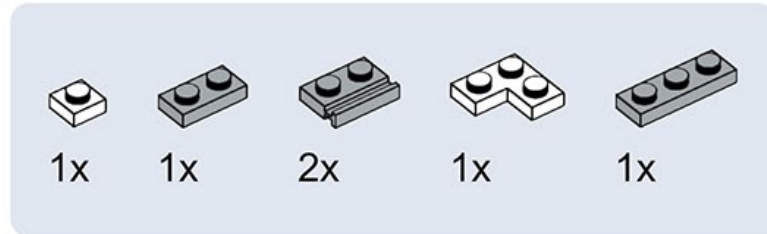
5



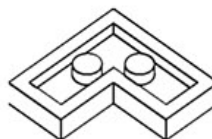
899



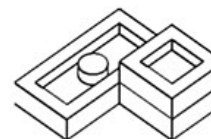
900



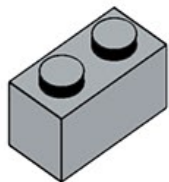
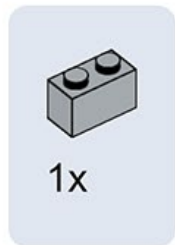
1



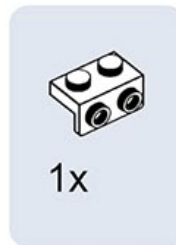
2



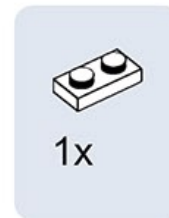
901



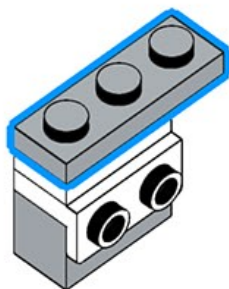
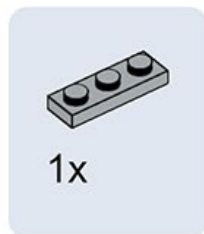
902



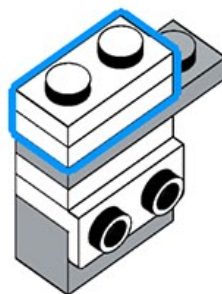
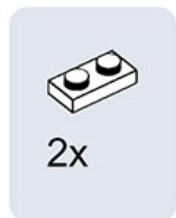
903



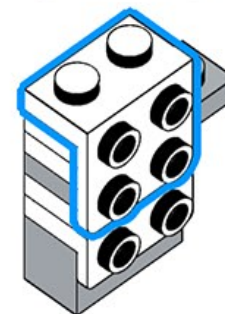
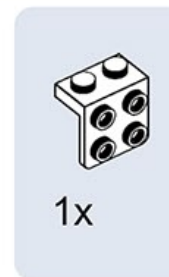
904



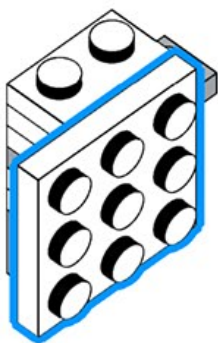
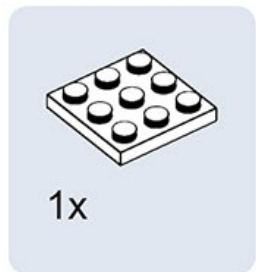
905



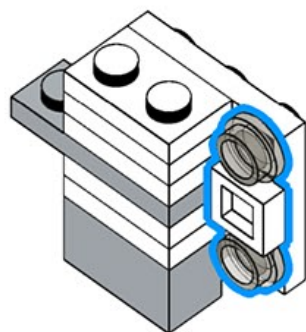
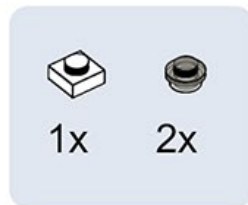
906



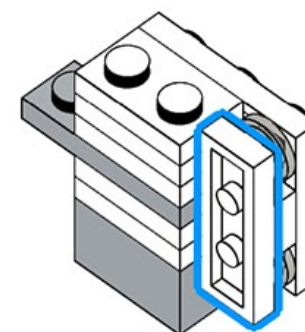
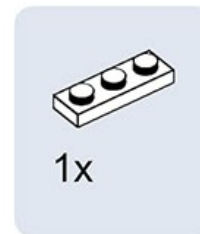
907



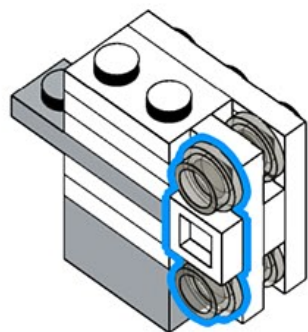
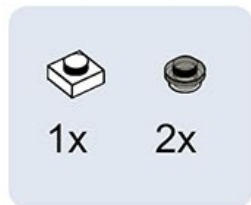
908



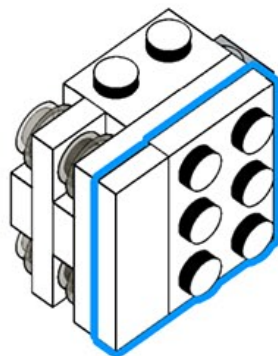
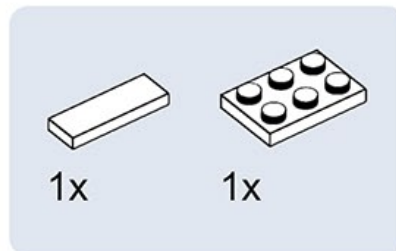
909



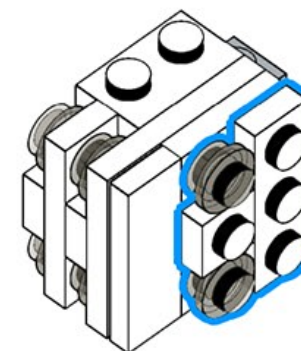
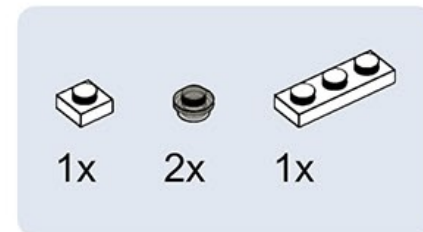
910



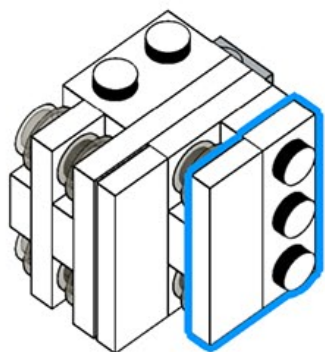
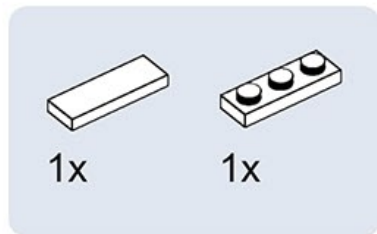
911



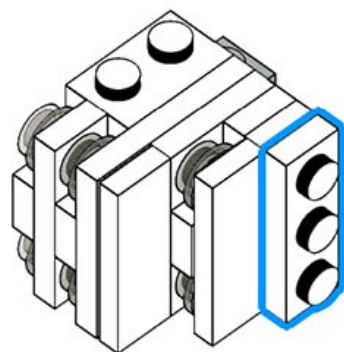
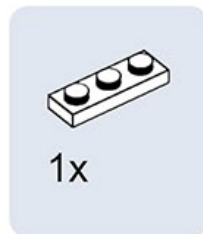
912



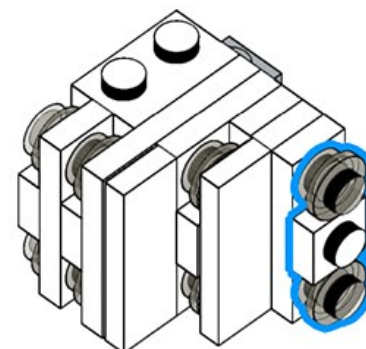
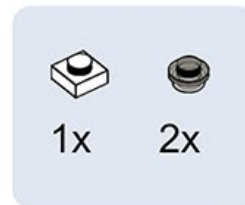
913



914



915



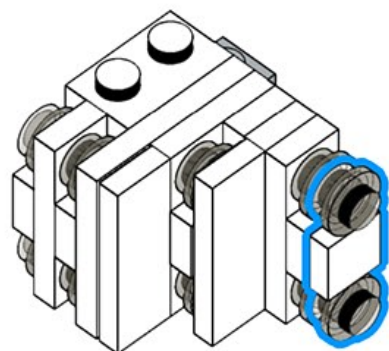
916



1x



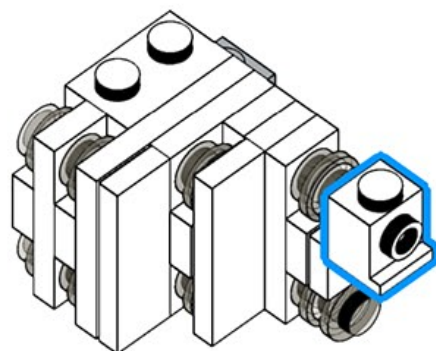
2x



917



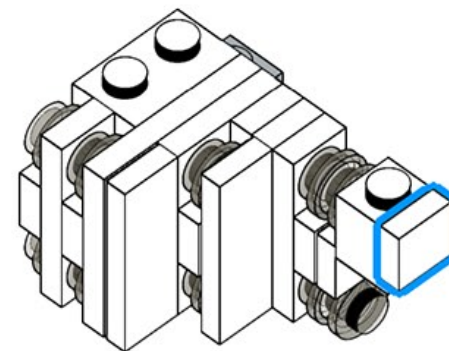
1x



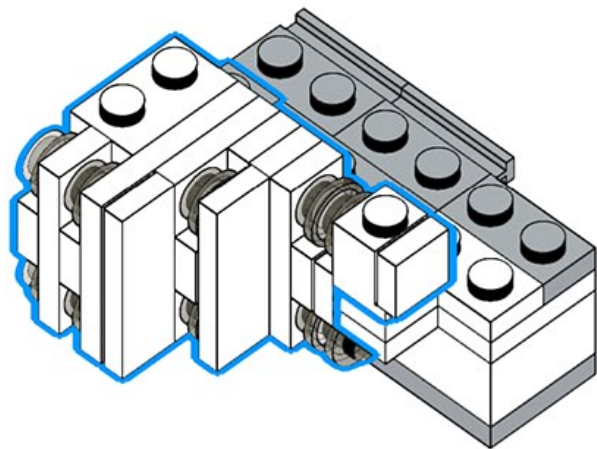
918



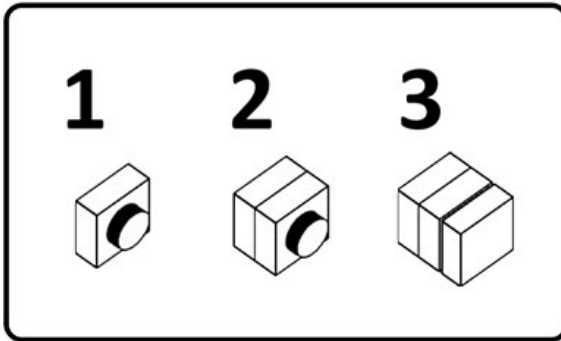
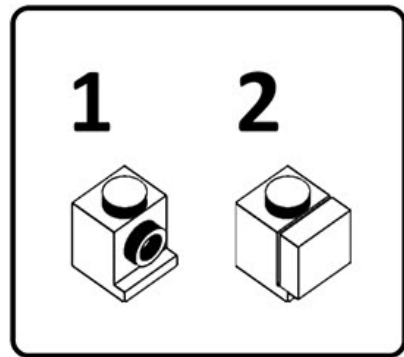
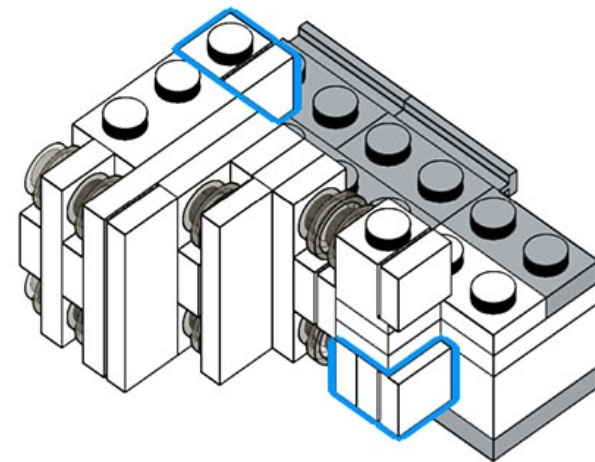
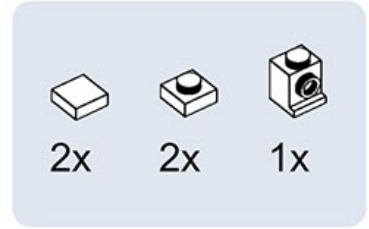
1x



919



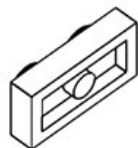
920



921



1x



922



1x



1x



923



1x



1x



924



1x



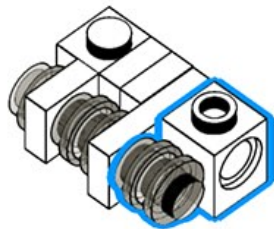
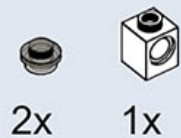
1x



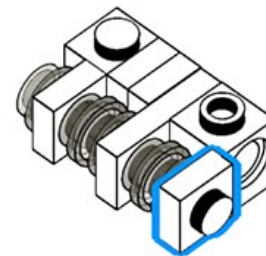
1x



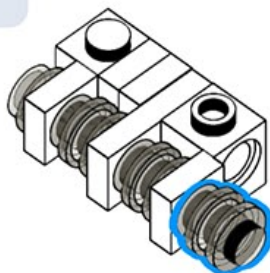
925



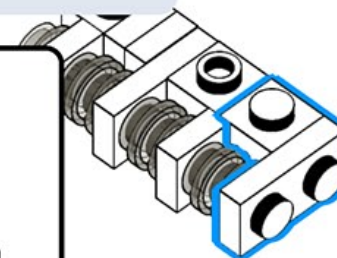
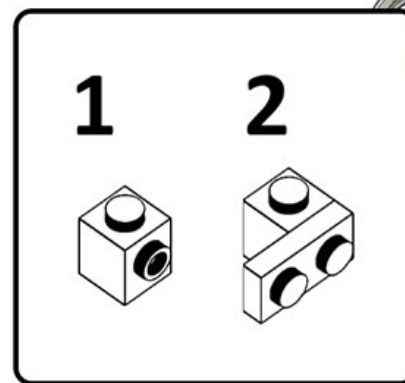
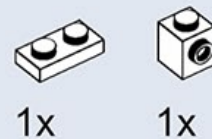
926



927

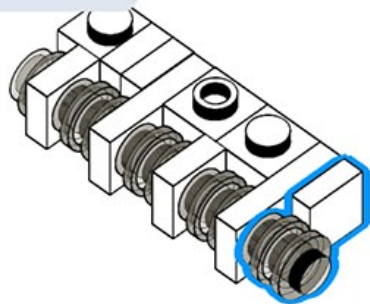


928



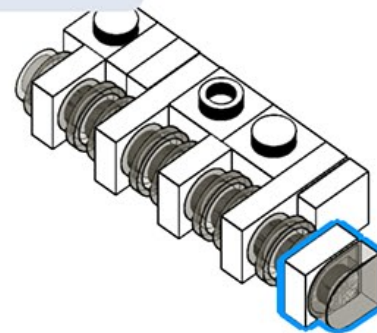
929

1x 2x

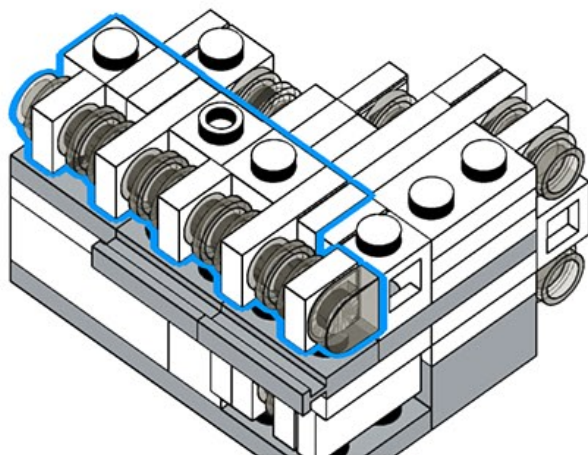


930

1x 1x

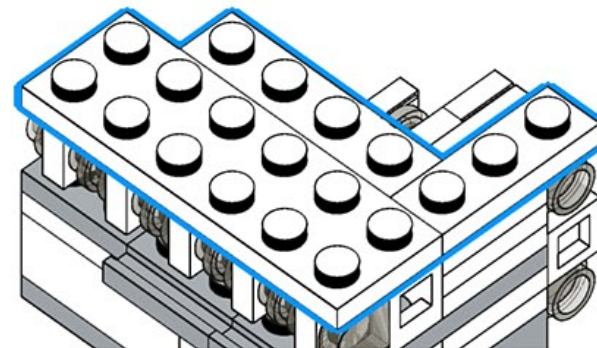


931

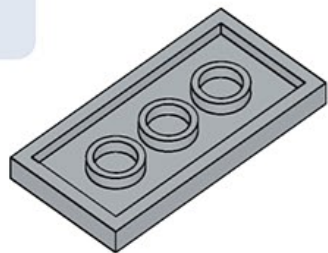
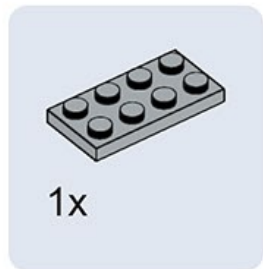


932

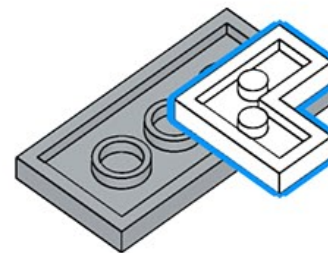
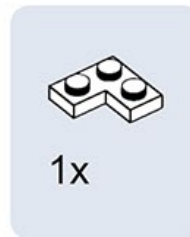
1x 1x 1x



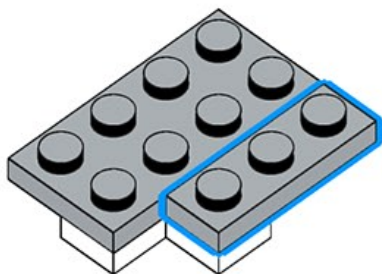
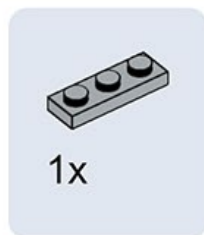
933



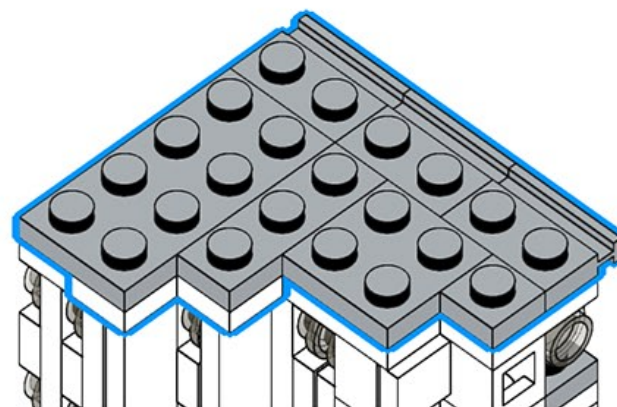
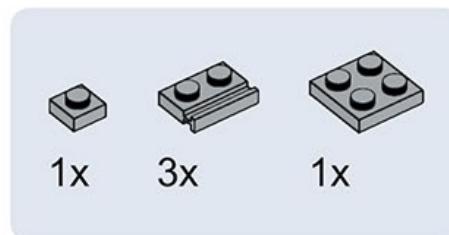
934



935



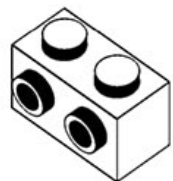
936



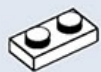
937



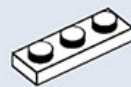
1x



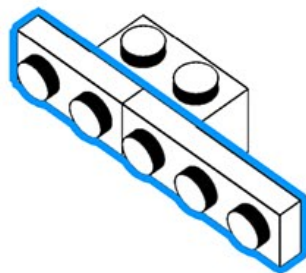
938



1x



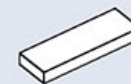
1x



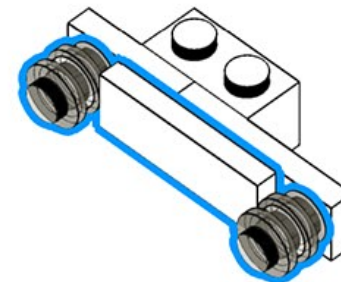
939



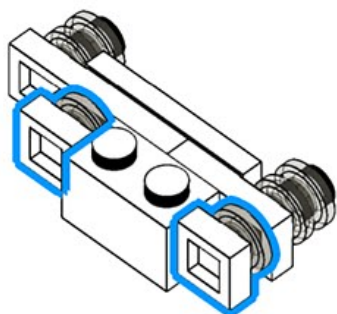
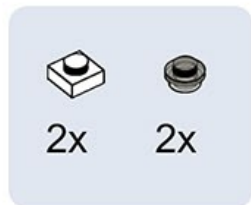
4x



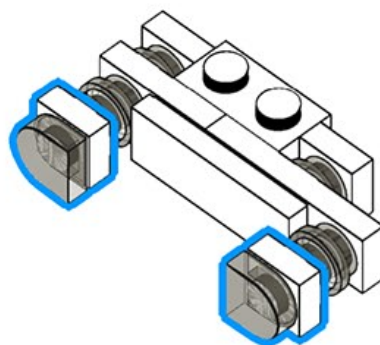
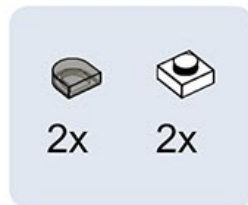
1x



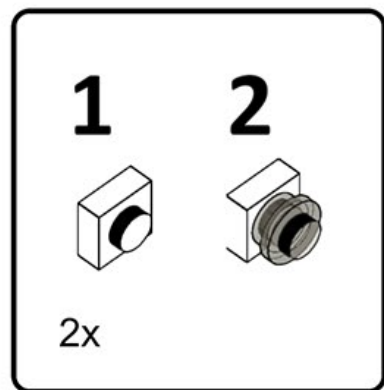
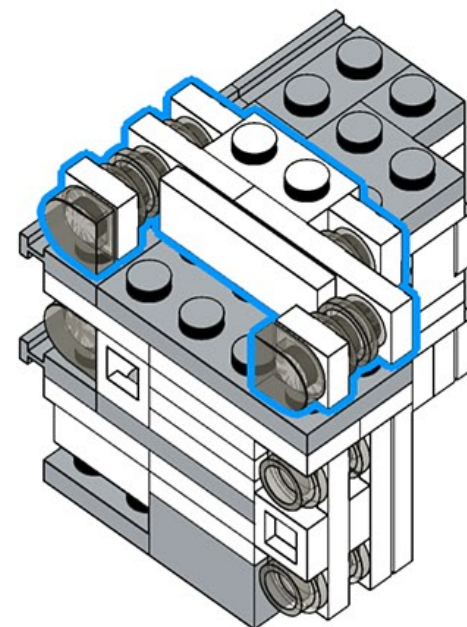
940



941



942



943



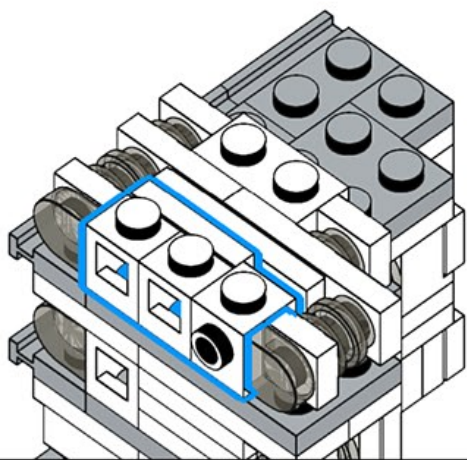
1x



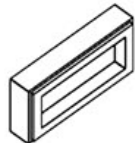
2x



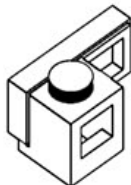
1x



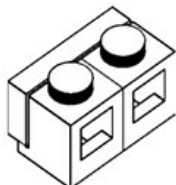
1



2



3



944



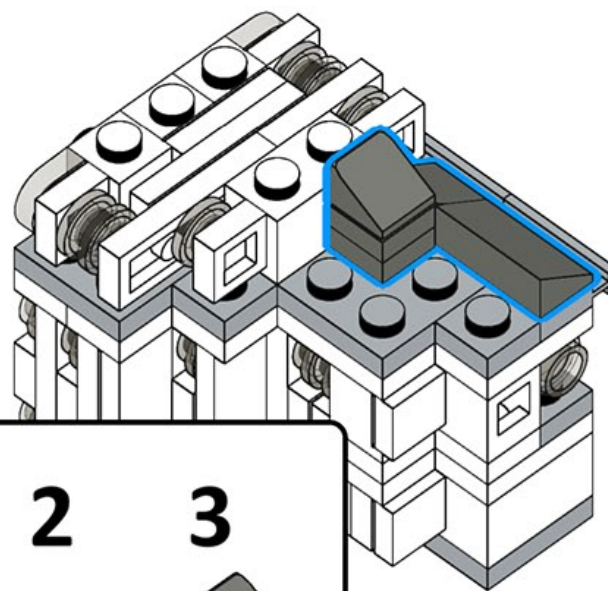
2x



2x



1x



1



2



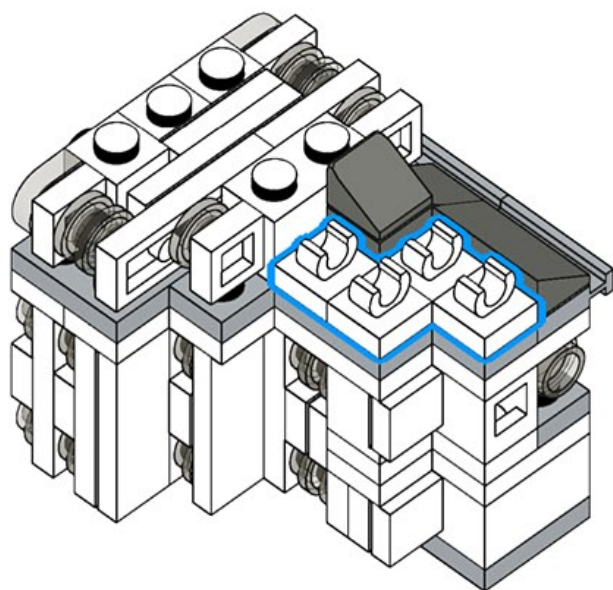
3



945



4x



946



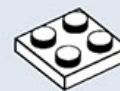
1x



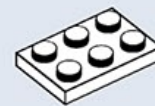
1x



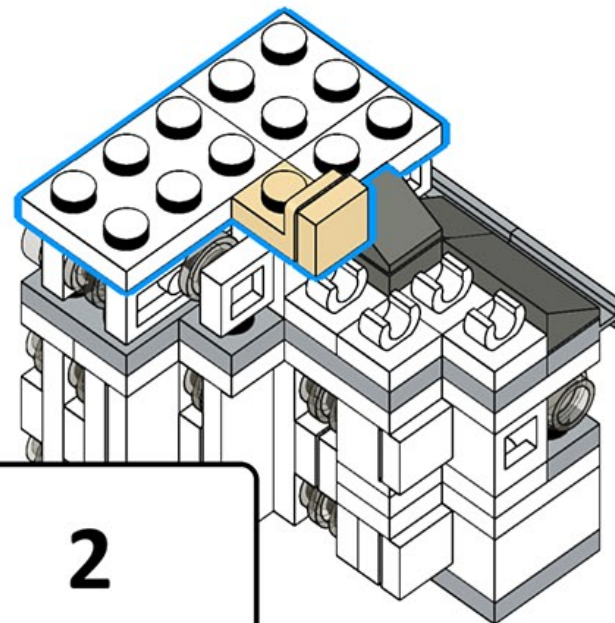
1x



1x



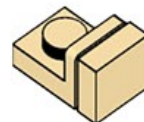
1x



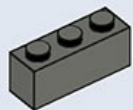
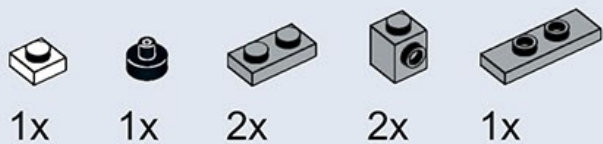
1



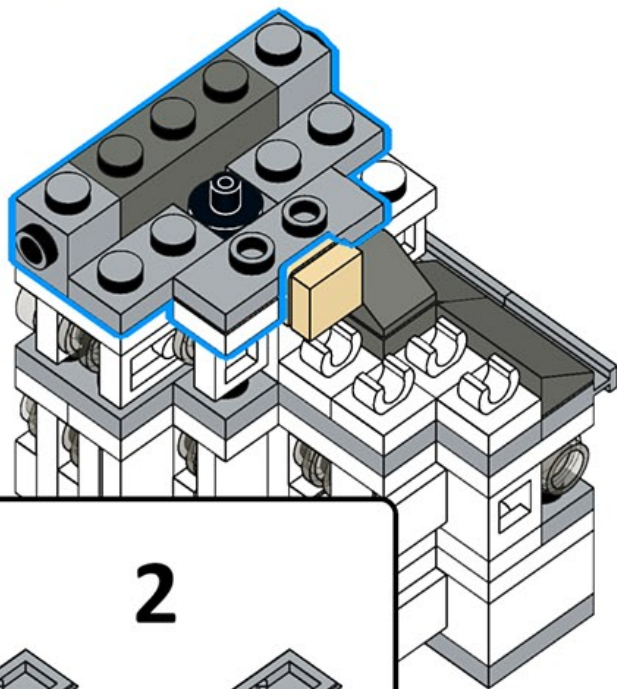
2



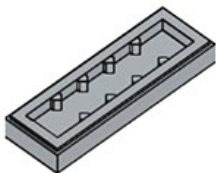
947



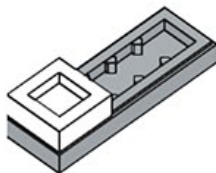
1x



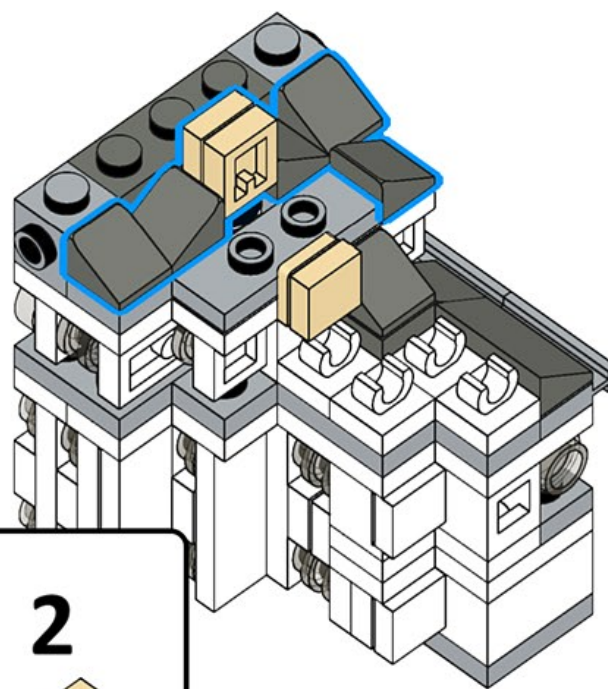
1



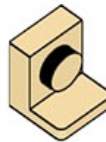
2



948



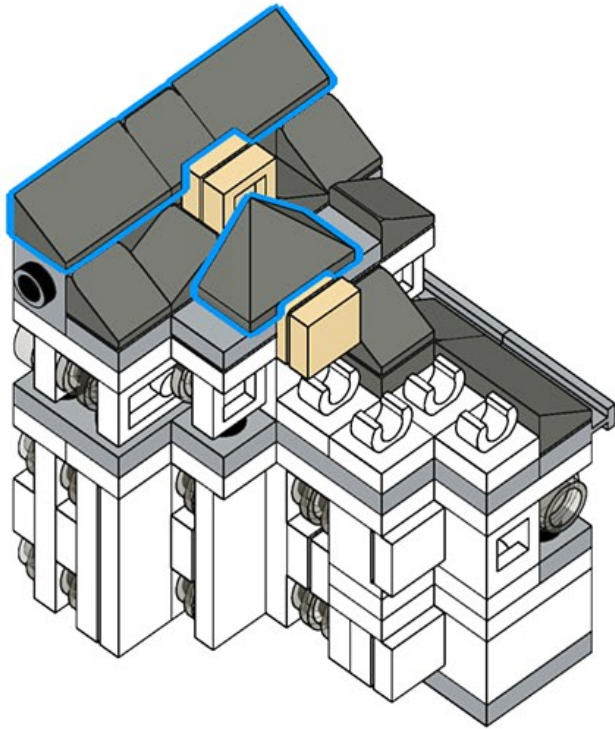
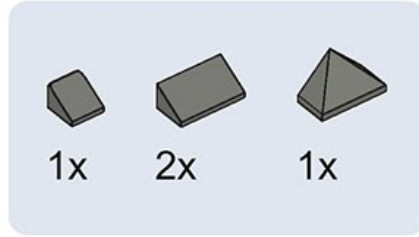
1



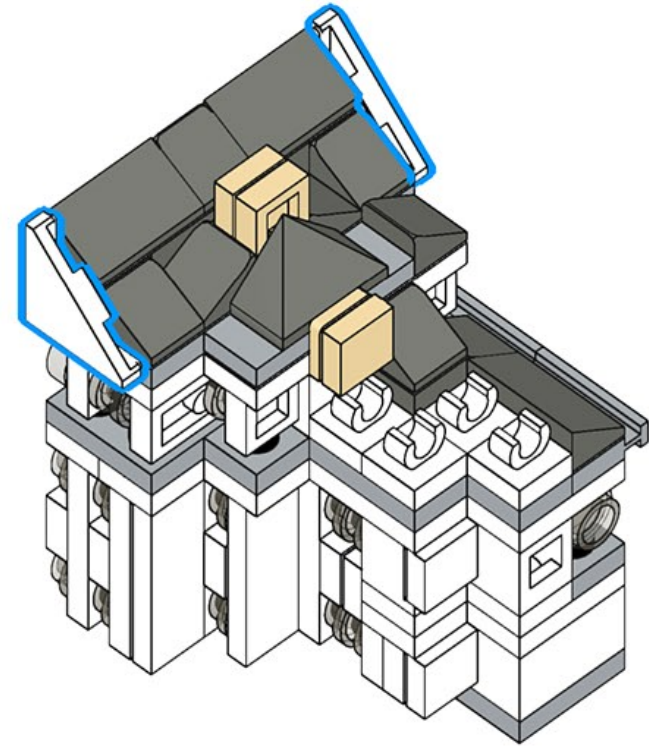
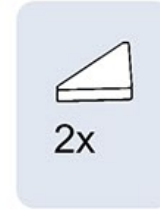
2



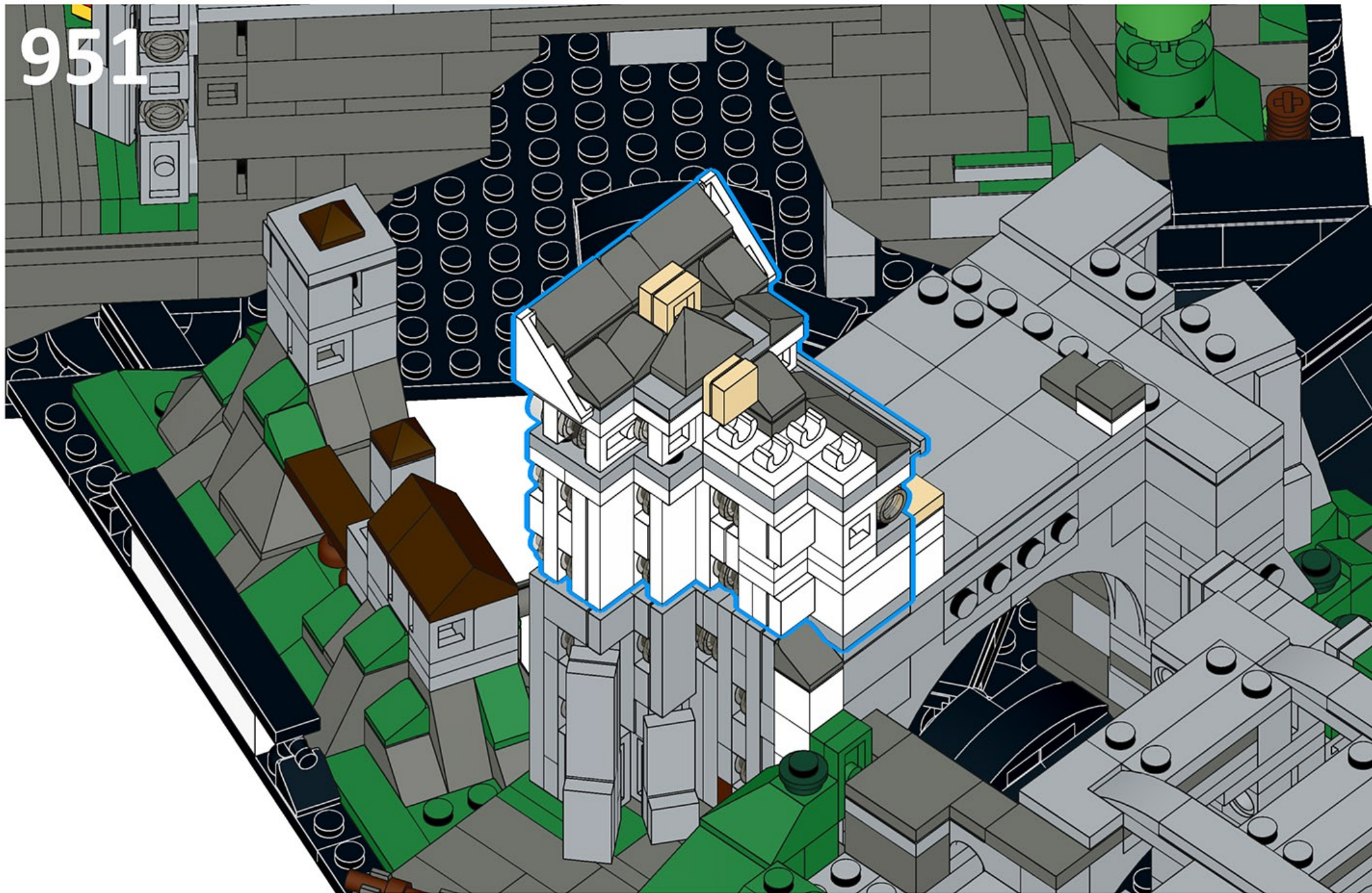
949



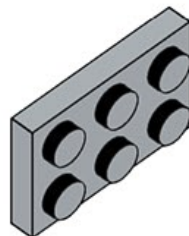
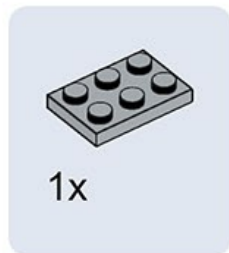
950



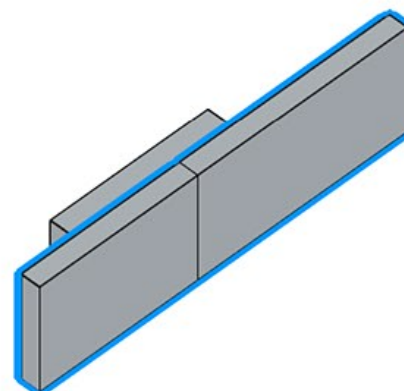
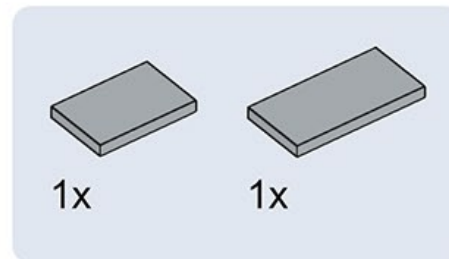
951



952



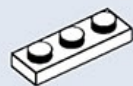
953



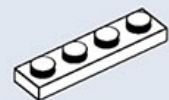
954



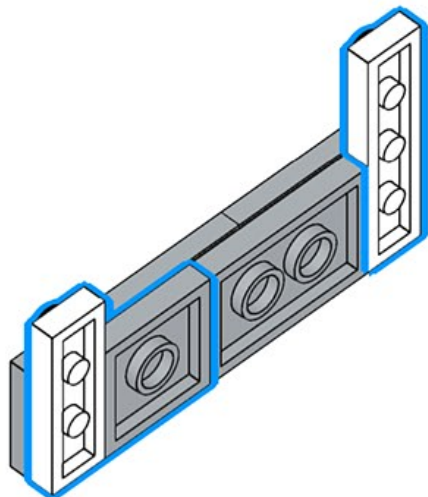
1x



1x



1x



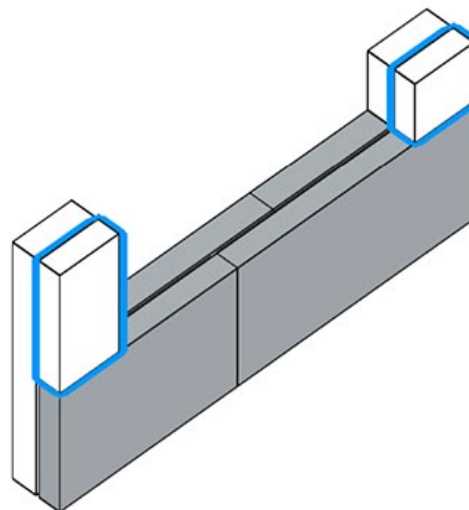
955



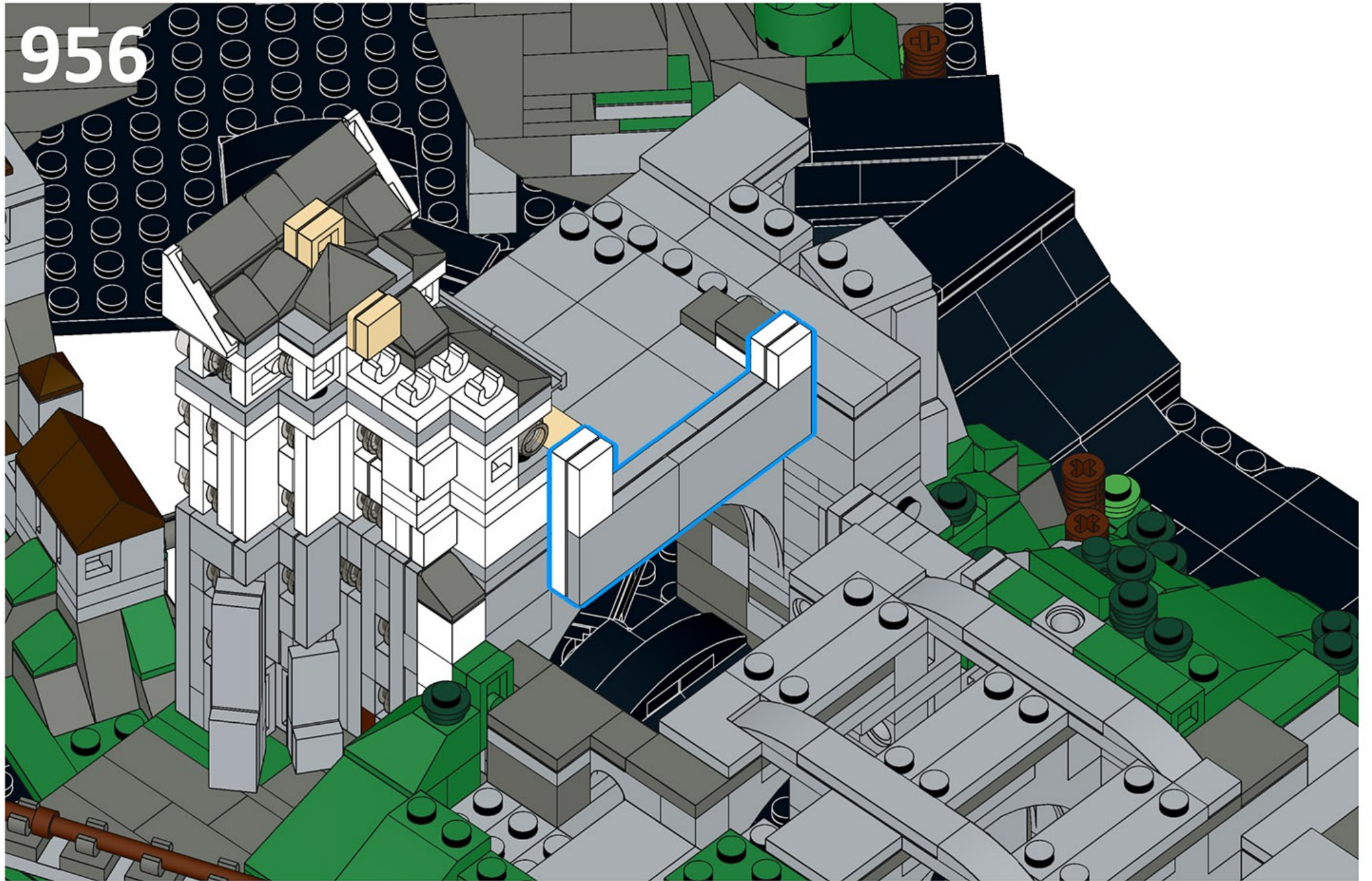
1x



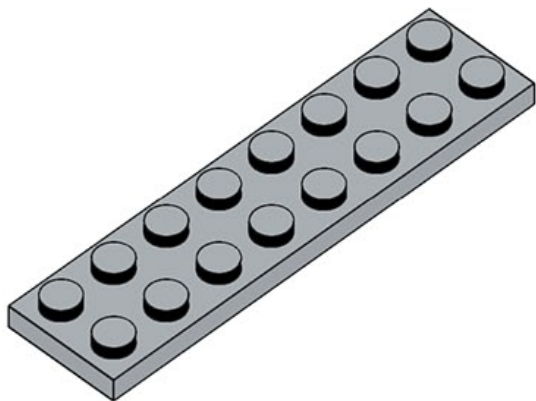
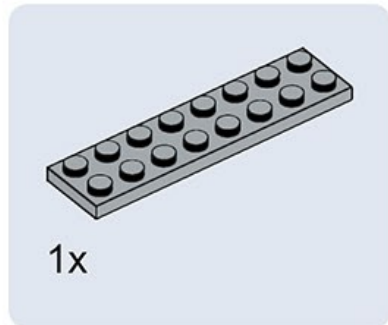
1x



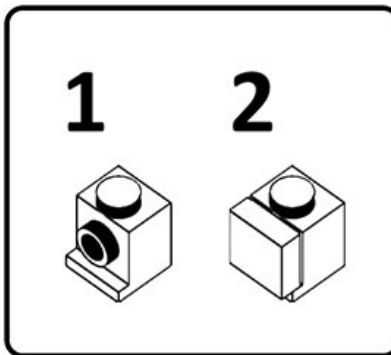
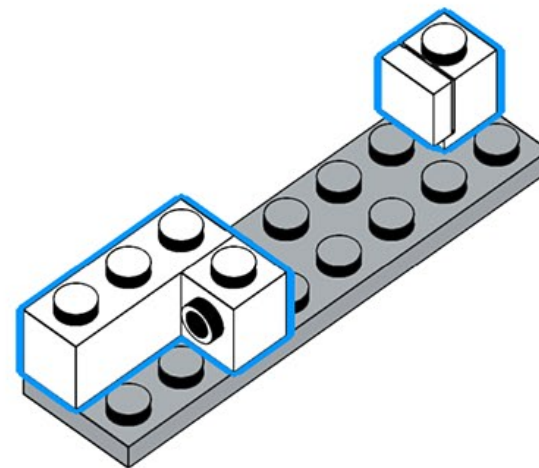
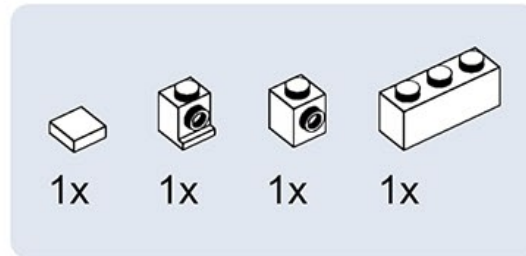
956



957



958



959



1x



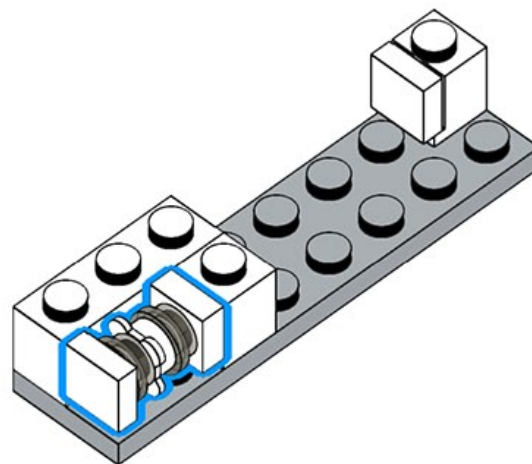
1x



2x



1x



1



2



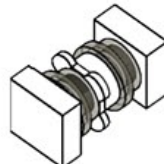
3



4



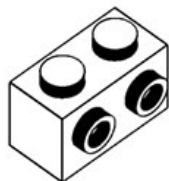
5



960



1x



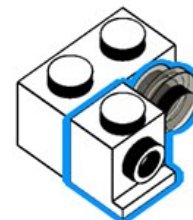
961



1x



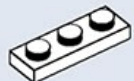
1x



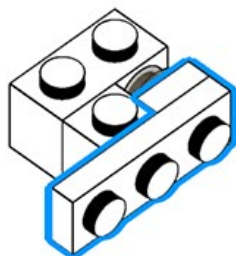
962



1x



1x



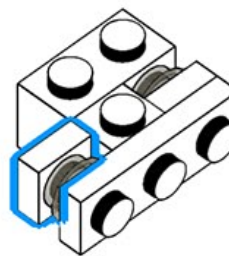
963



1x



1x



964



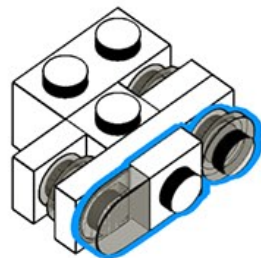
1x



1x



1x



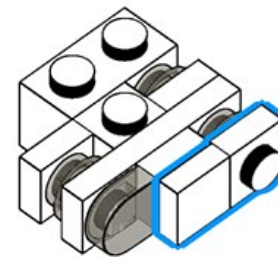
965



1x



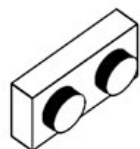
1x



966



1x



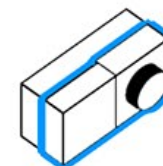
967



1x



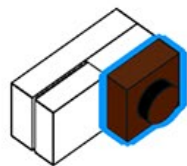
1x



968



1x



969



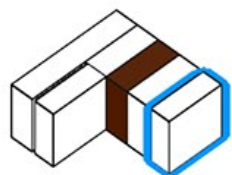
1x



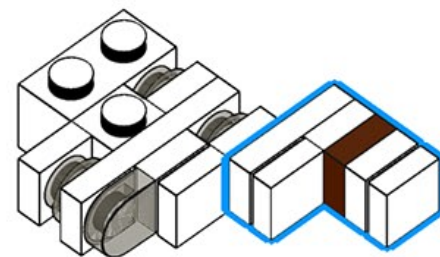
970



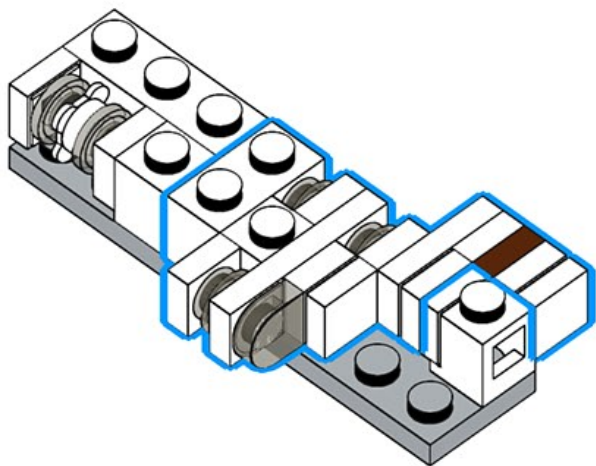
1x



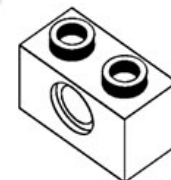
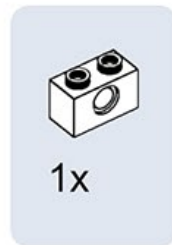
971



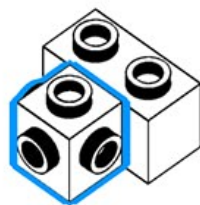
972



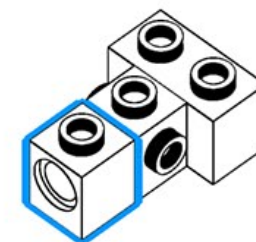
973



974



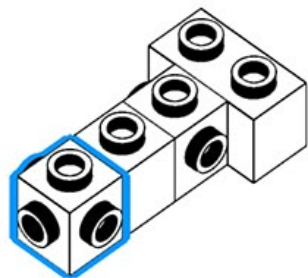
975



976



1x



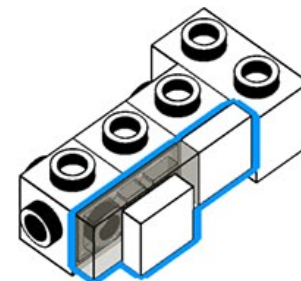
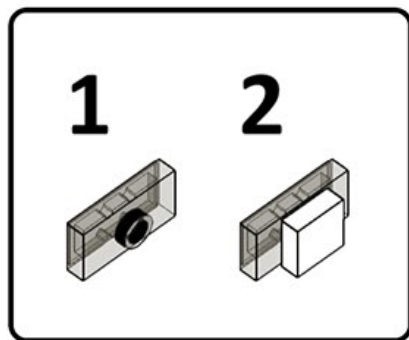
977



2x



1x



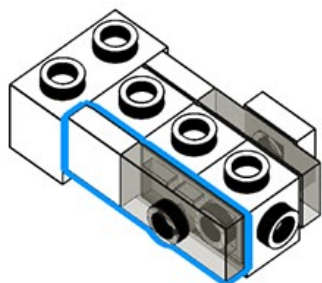
978



1x



1x



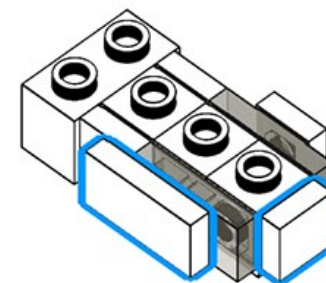
979



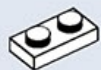
1x



1x



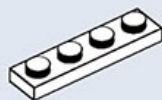
980



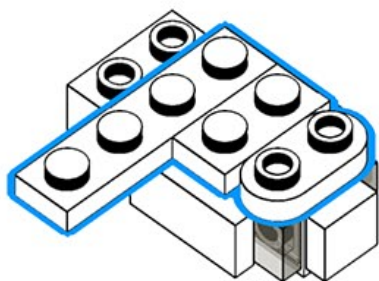
1x



1x



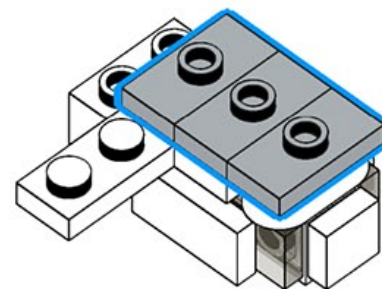
1x



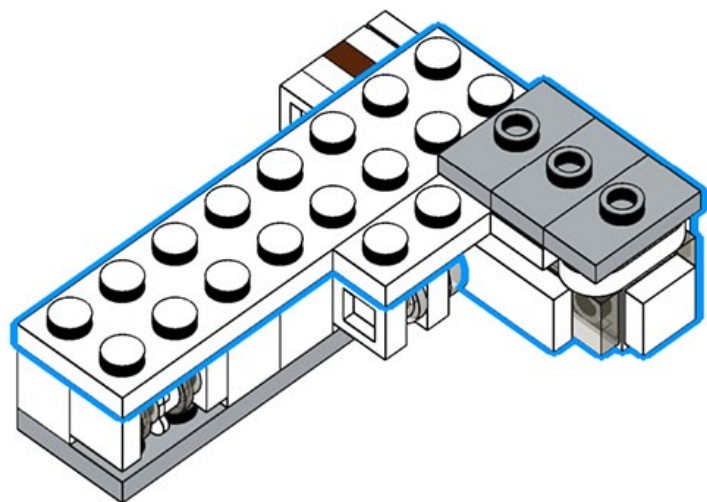
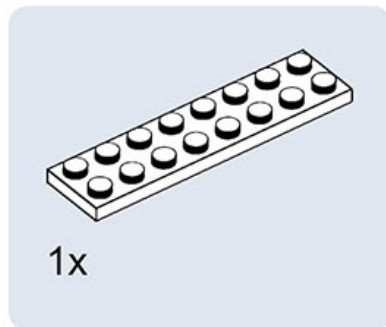
981



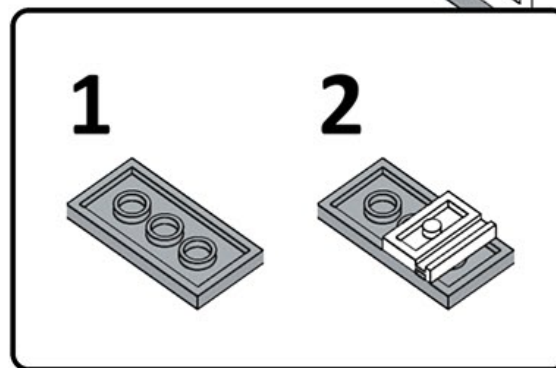
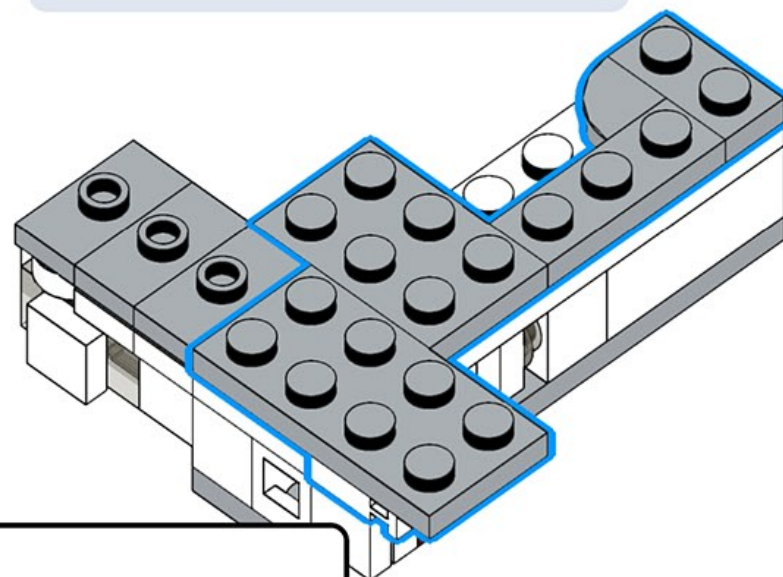
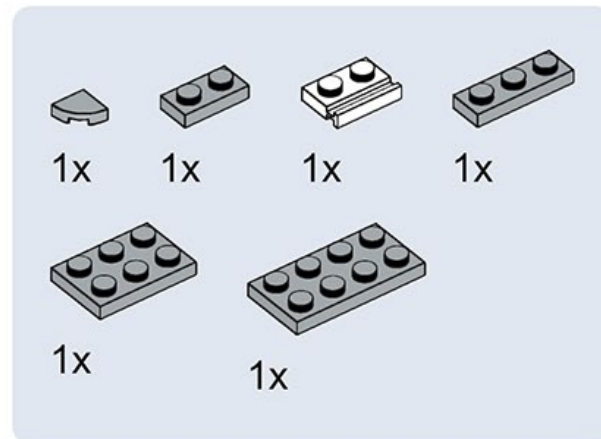
3x



982



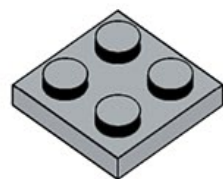
983



984



1x



985



1x



1x



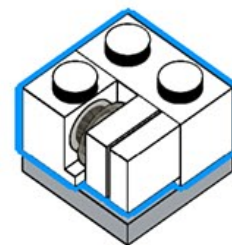
1x



1x



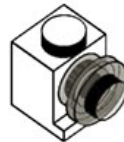
1x



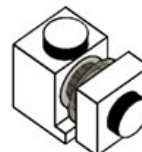
1



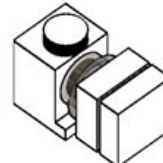
2



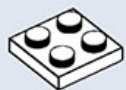
3



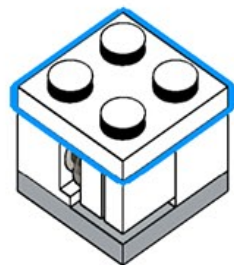
4



986



1x



987



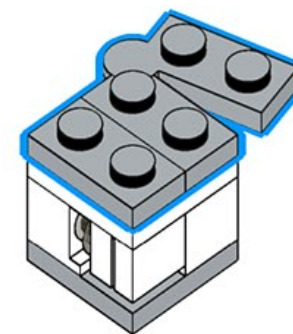
1x



1x



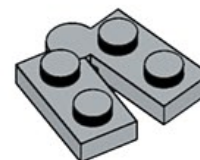
1x



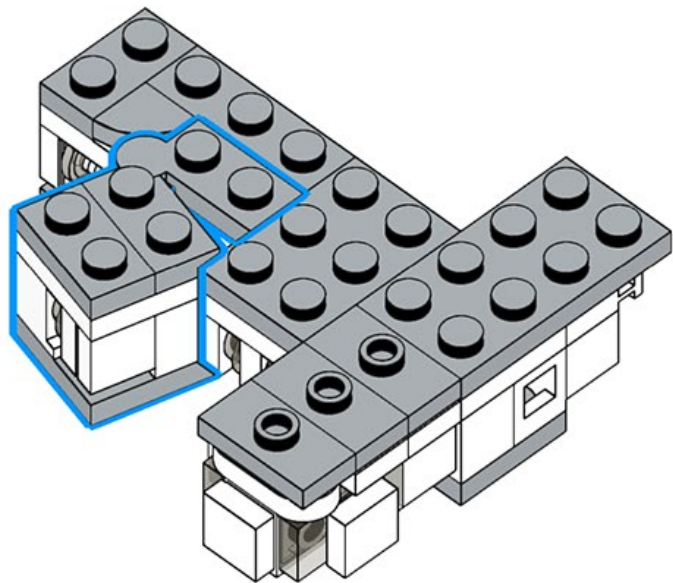
1



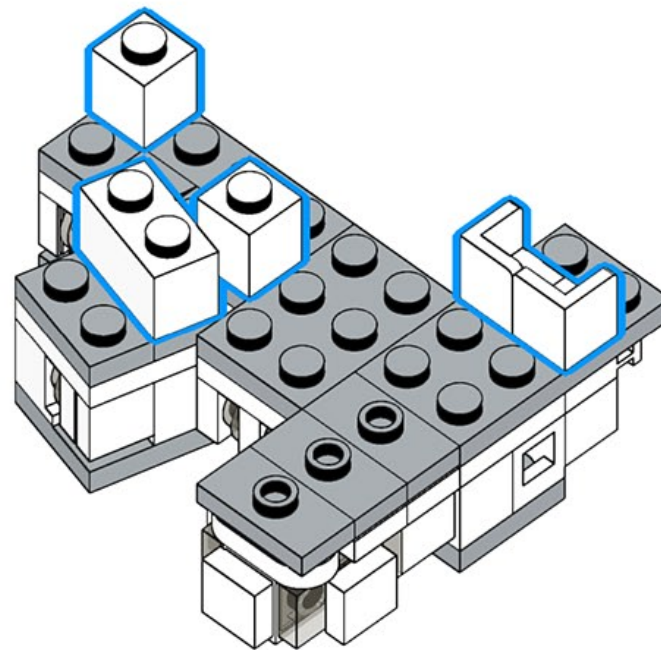
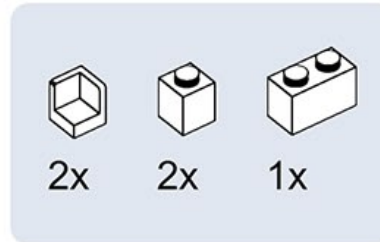
2



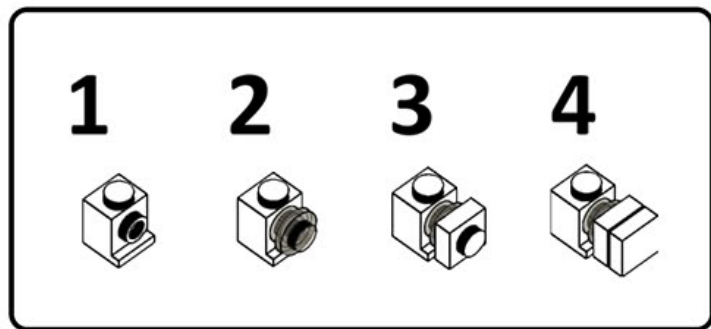
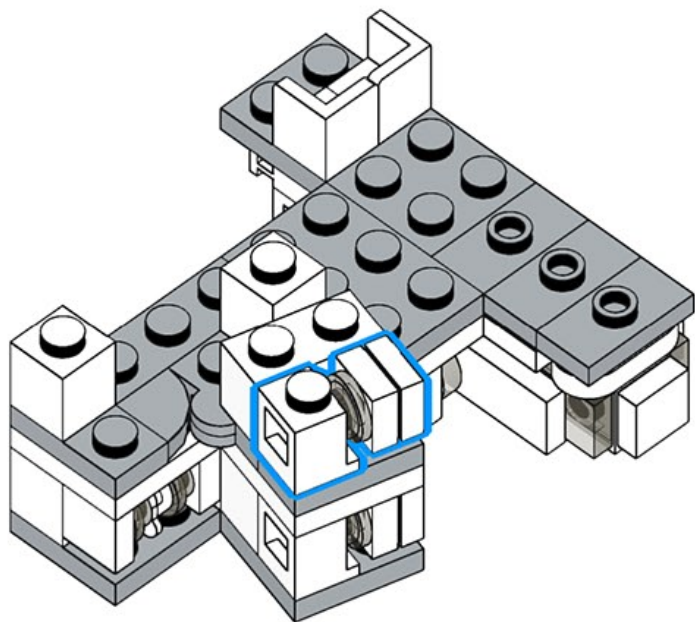
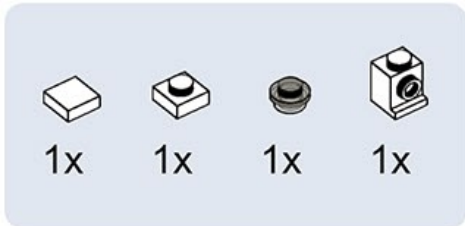
988



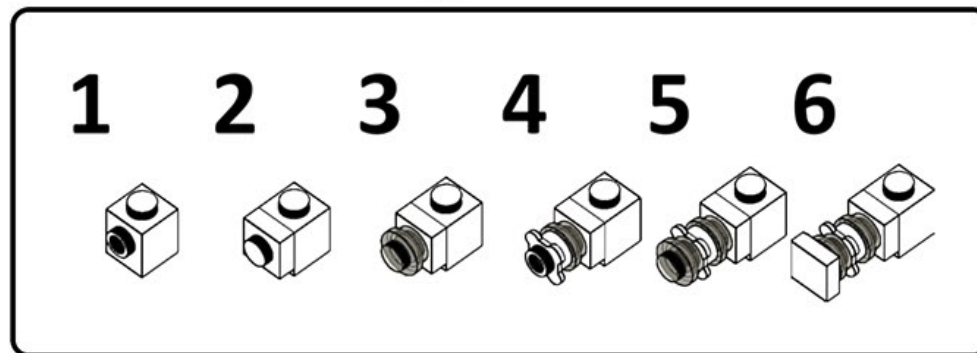
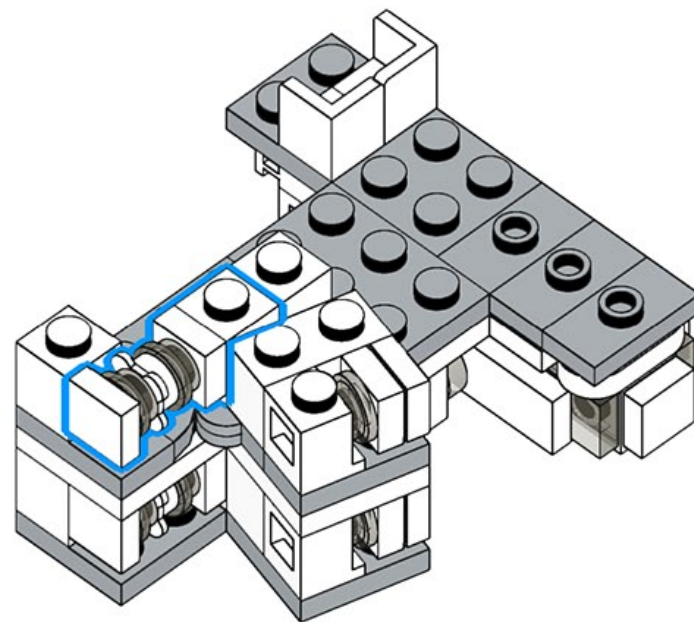
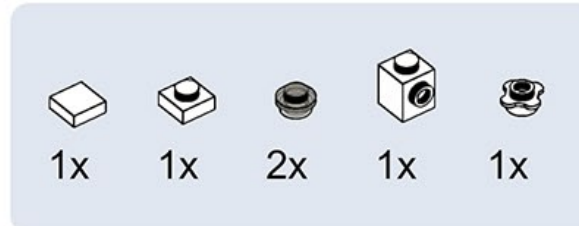
989



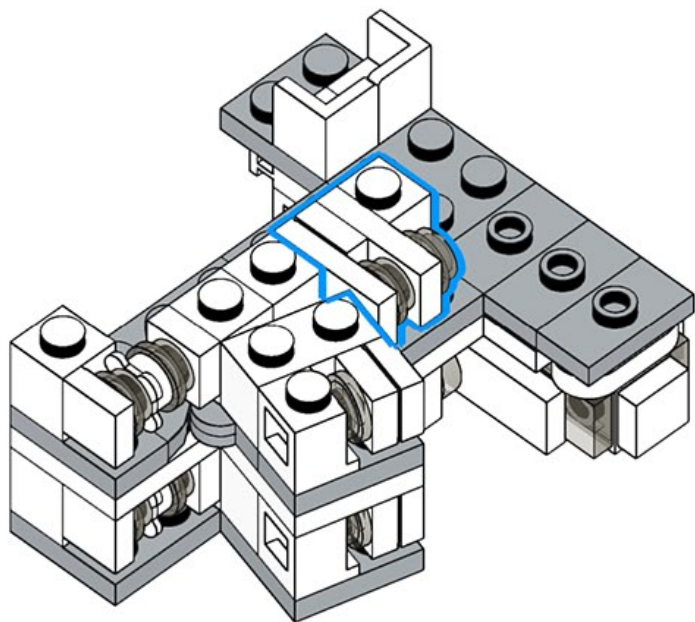
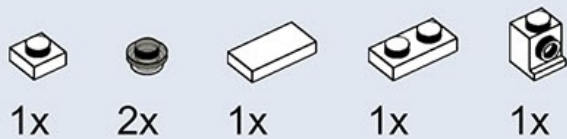
990



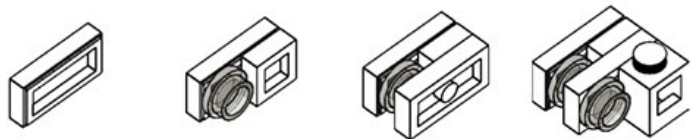
991



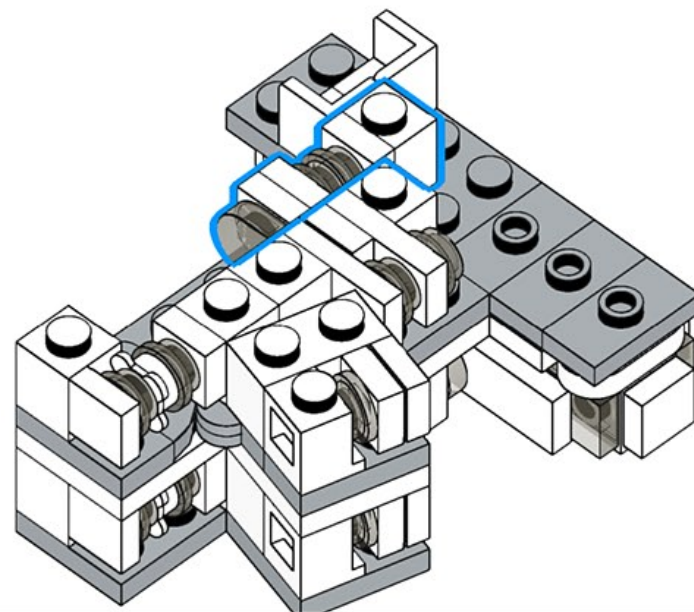
992



1 2 3 4



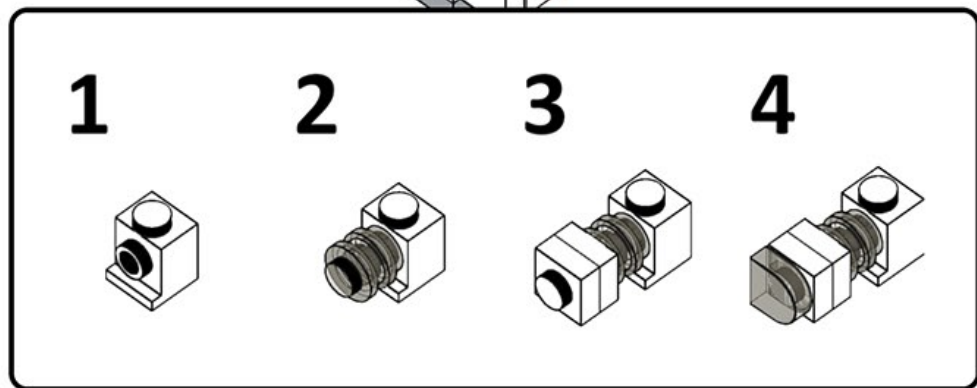
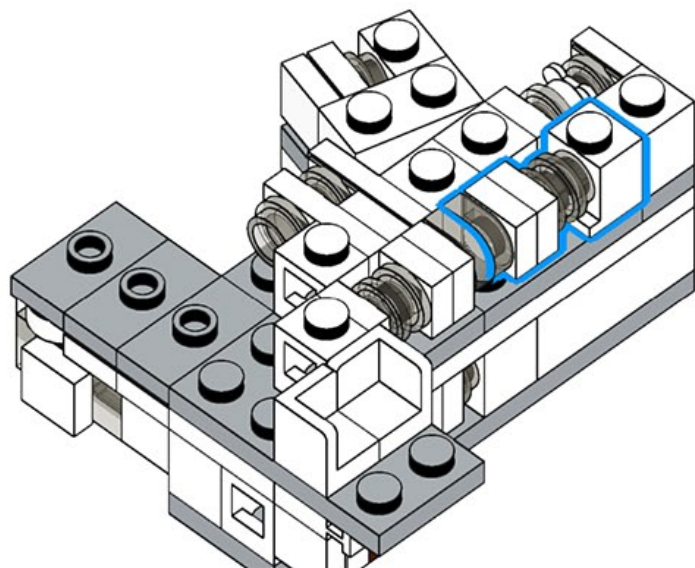
993



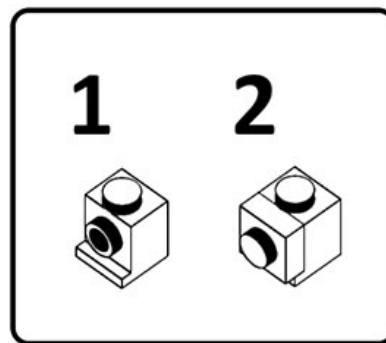
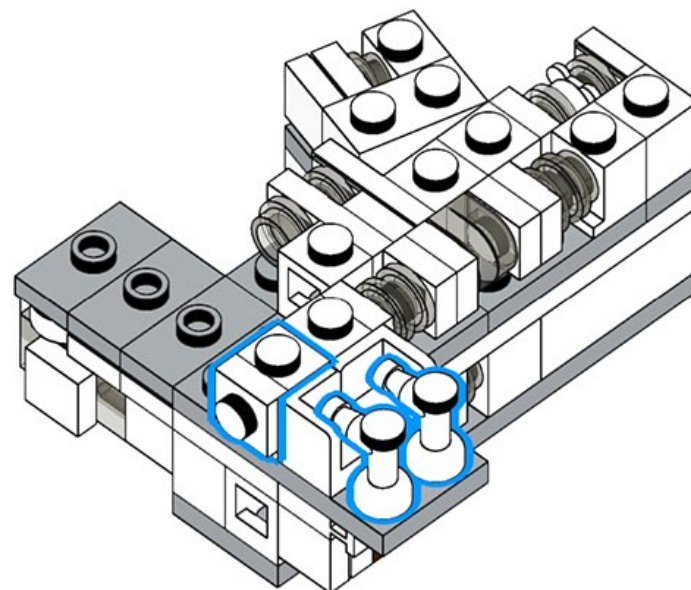
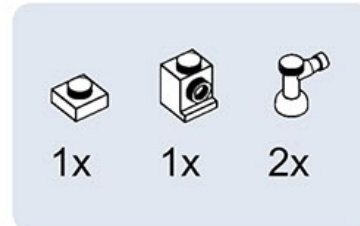
1 2 3 4 5



994



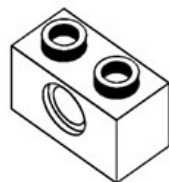
995



996



1x



997



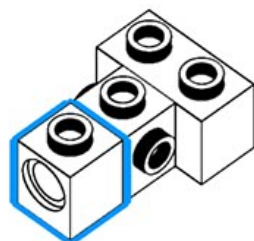
1x



998



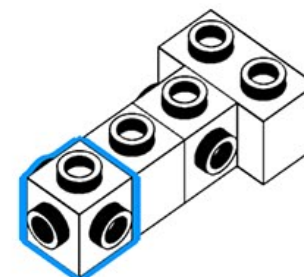
1x



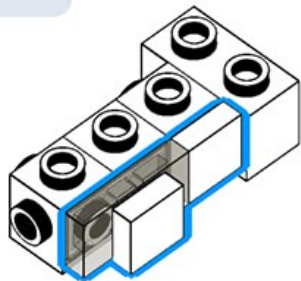
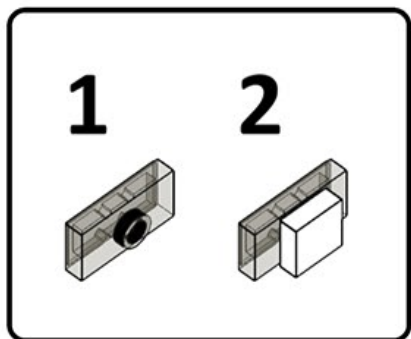
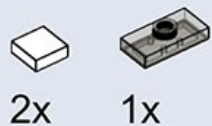
999



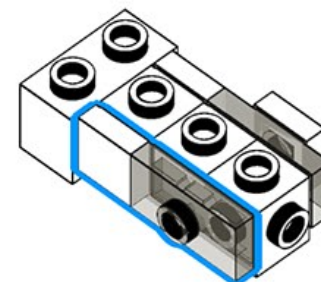
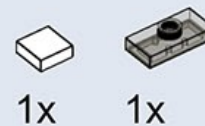
1x



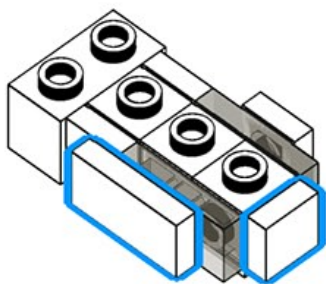
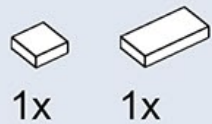
1000



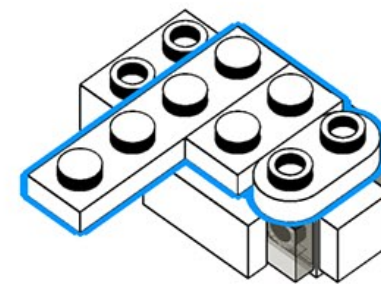
1001



1002



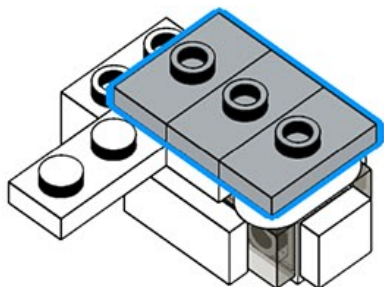
1003



1004



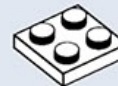
3x



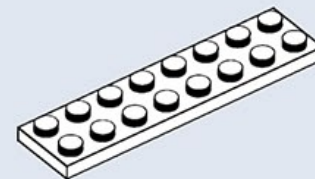
1005



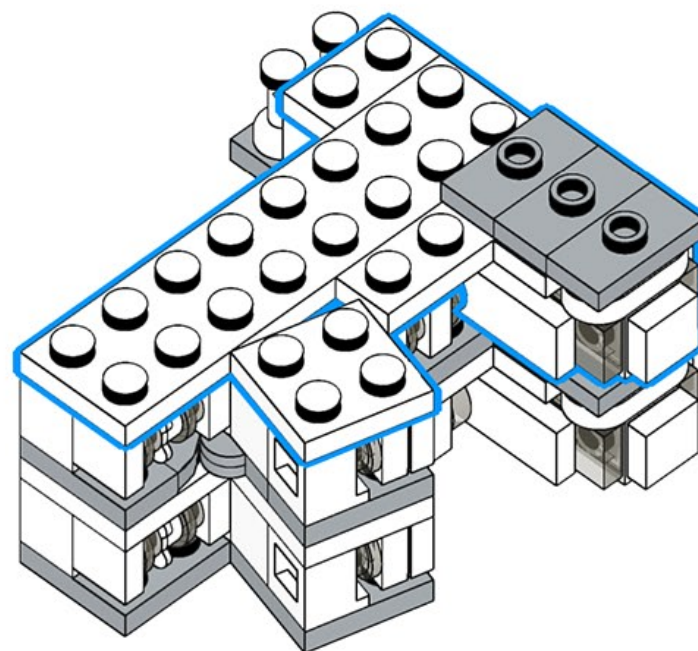
1x



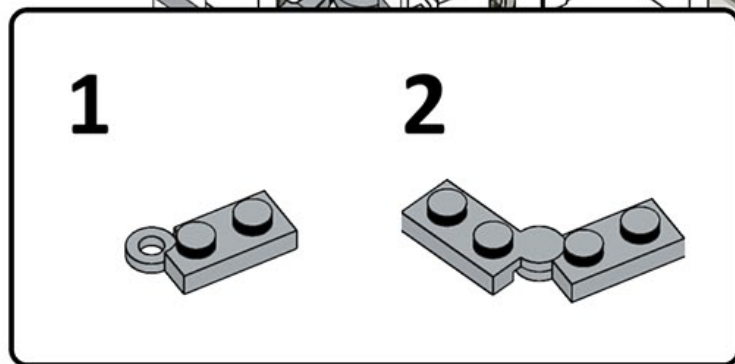
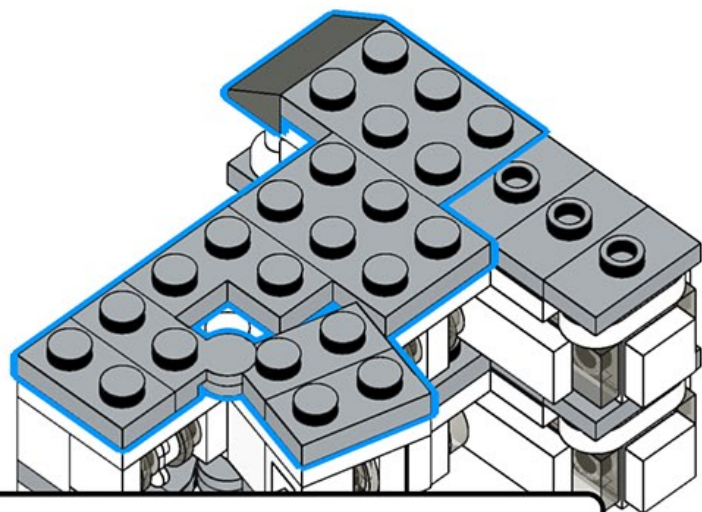
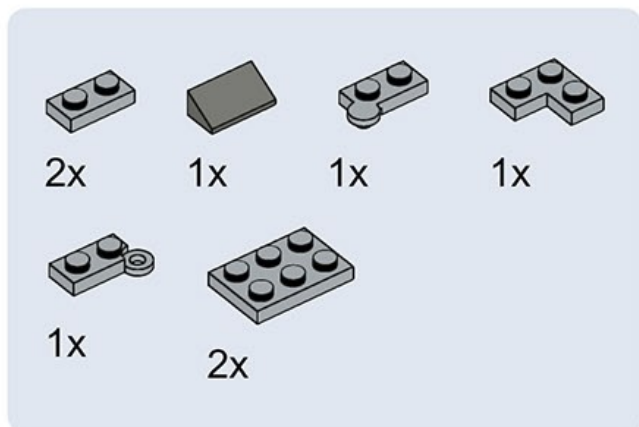
1x



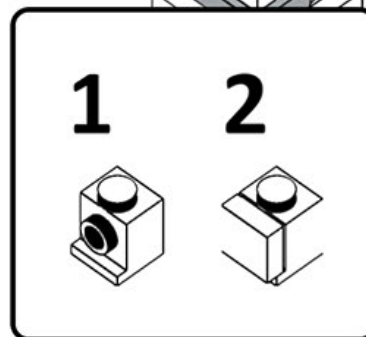
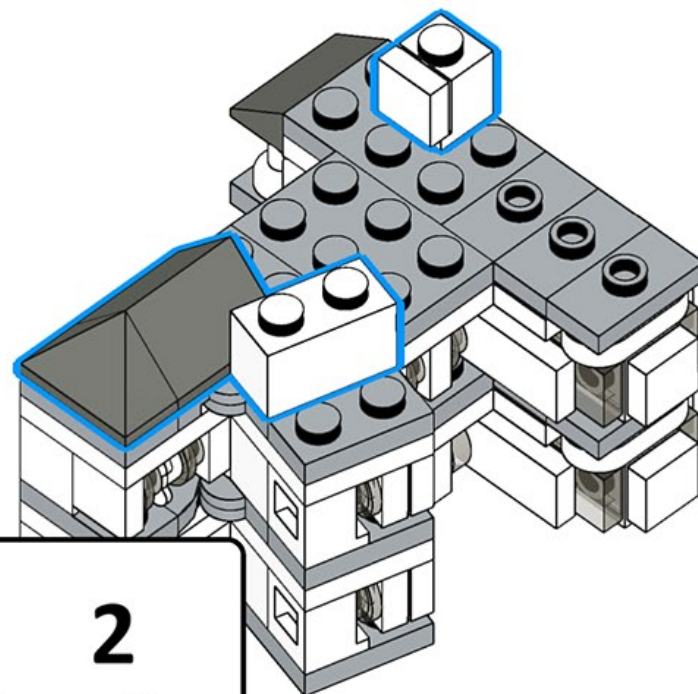
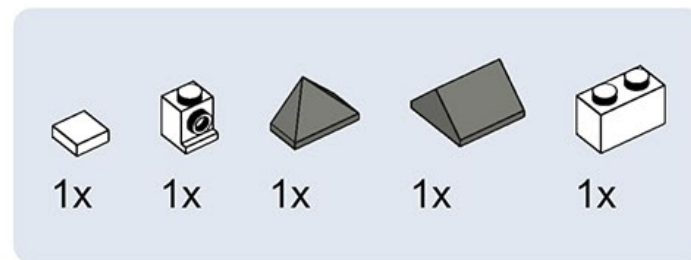
1x



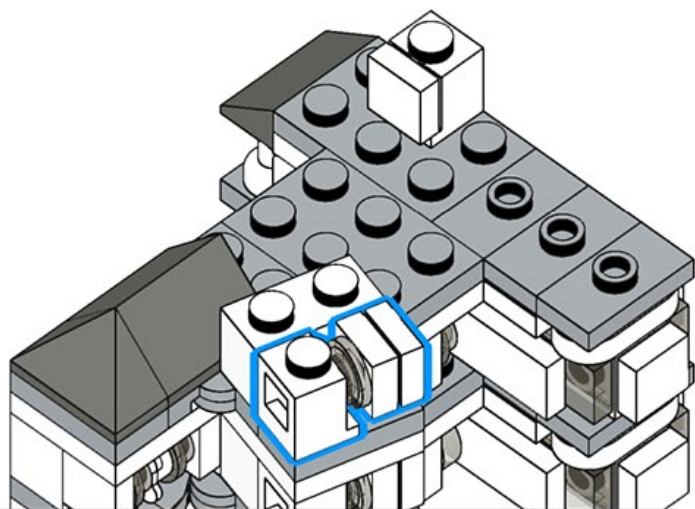
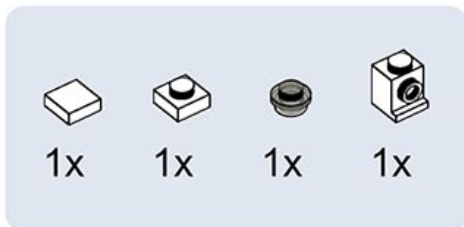
1006



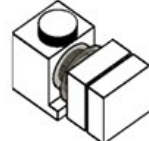
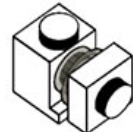
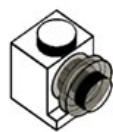
1007



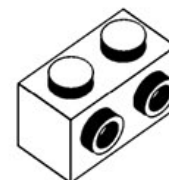
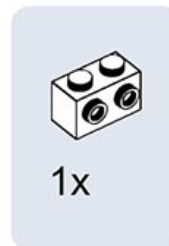
1008



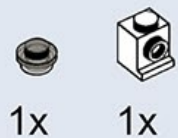
1 **2** **3** **4**



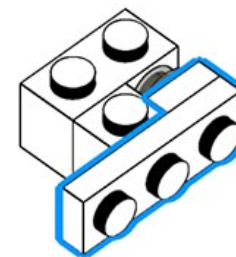
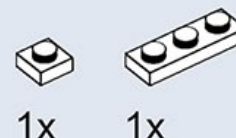
1009



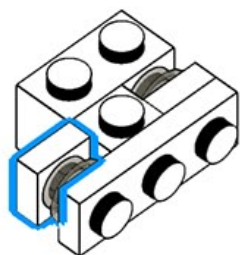
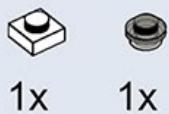
1010



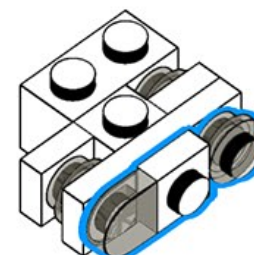
1011



1012



1013



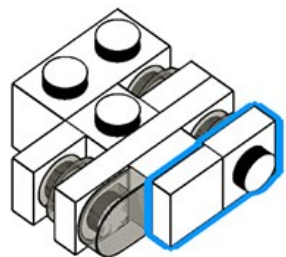
1014



1x



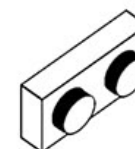
1x



1015



1x



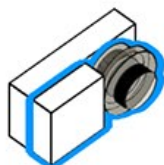
1016



1x



1x



1017



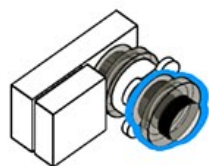
1x



1018



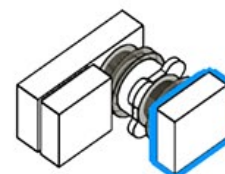
1x



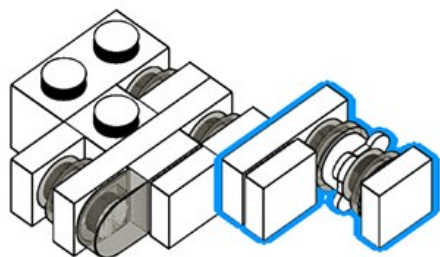
1019



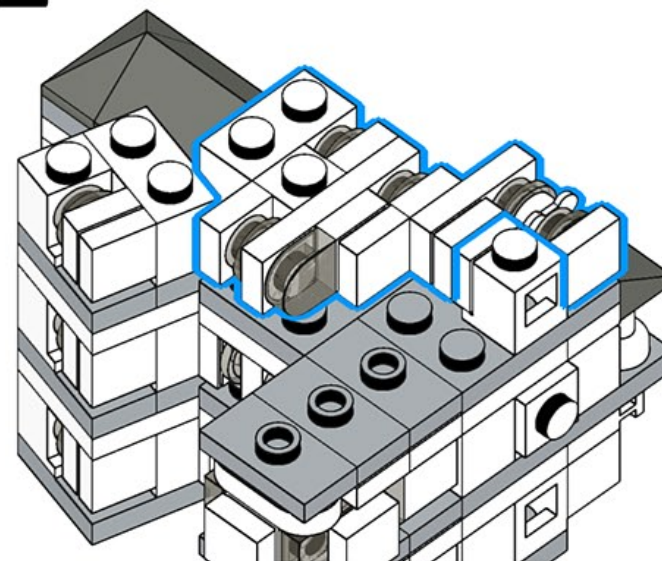
1x



1020



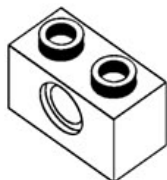
1021



1022



1x



1023



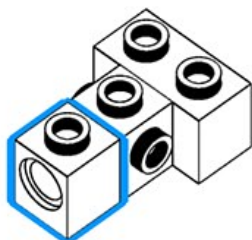
1x



1024



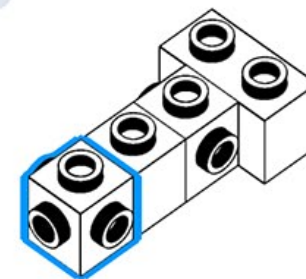
1x



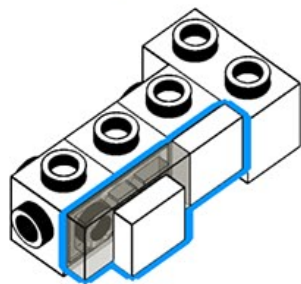
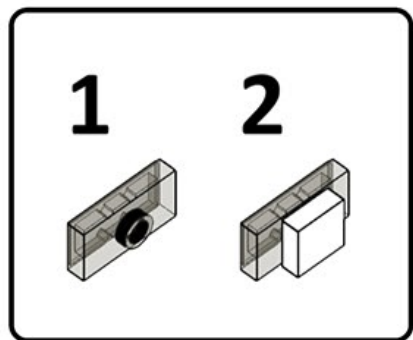
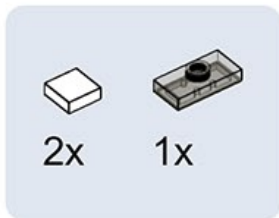
1025



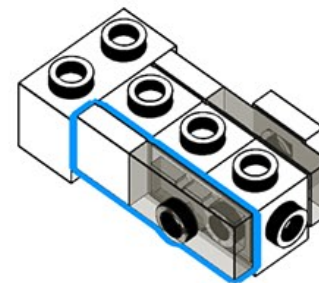
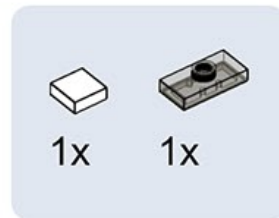
1x



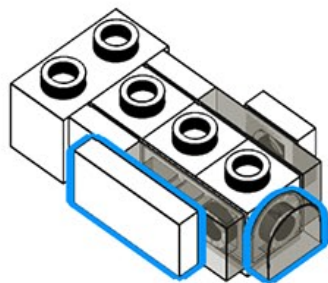
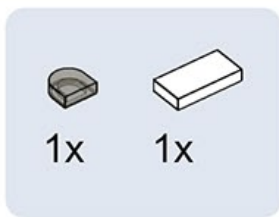
1026



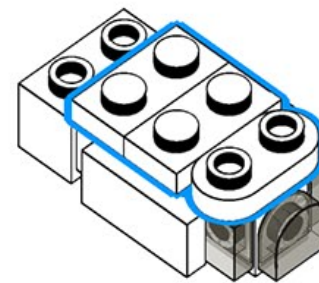
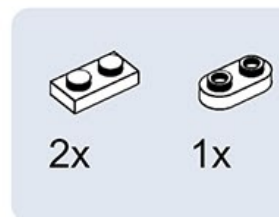
1027



1028



1029

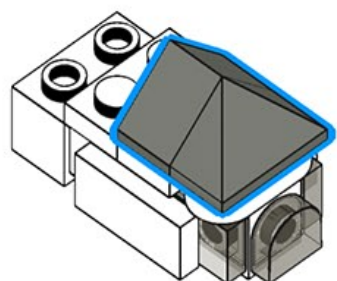


1030



1x

1x



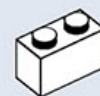
1031



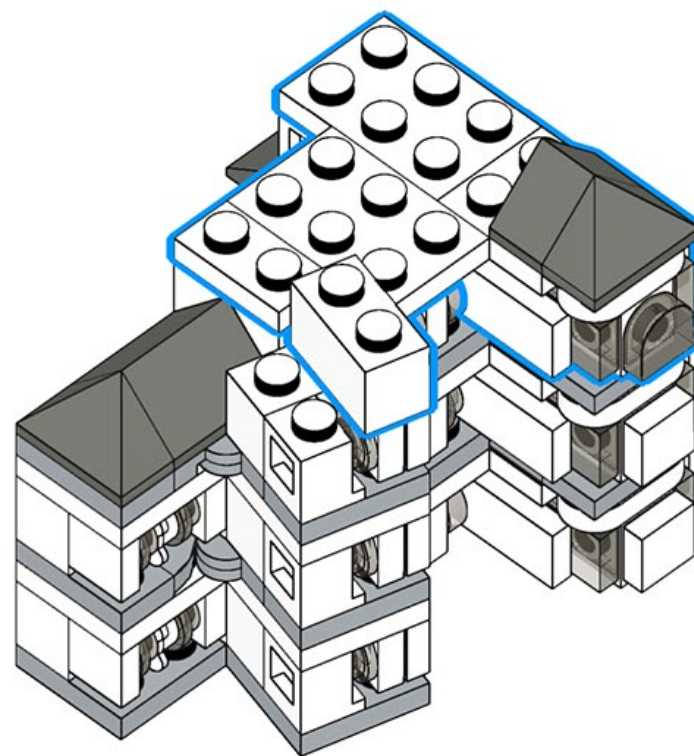
1x



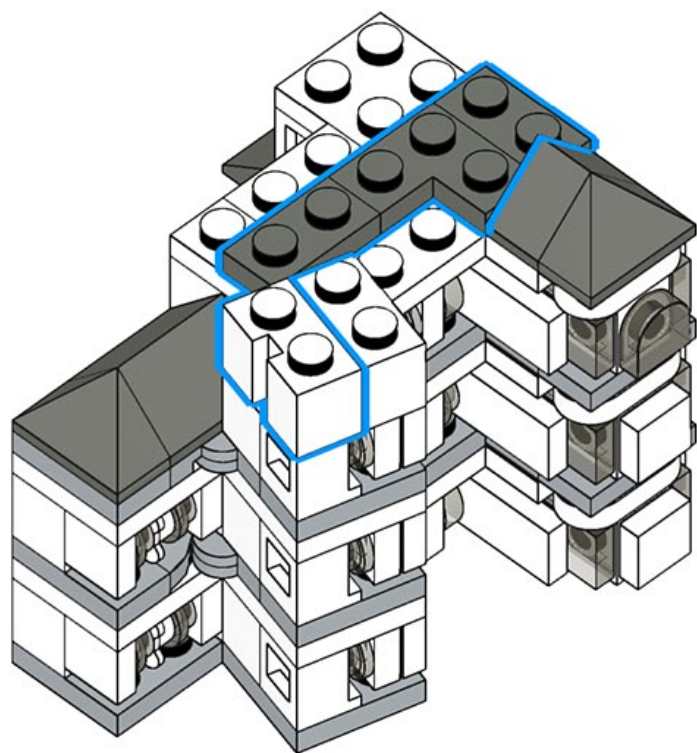
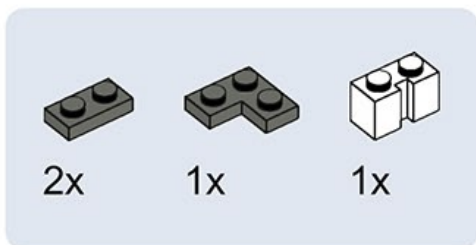
2x



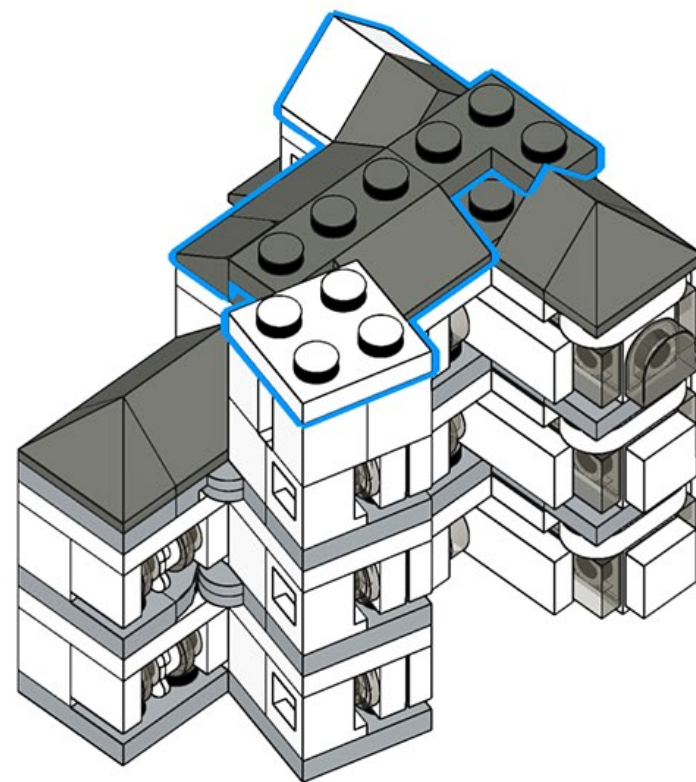
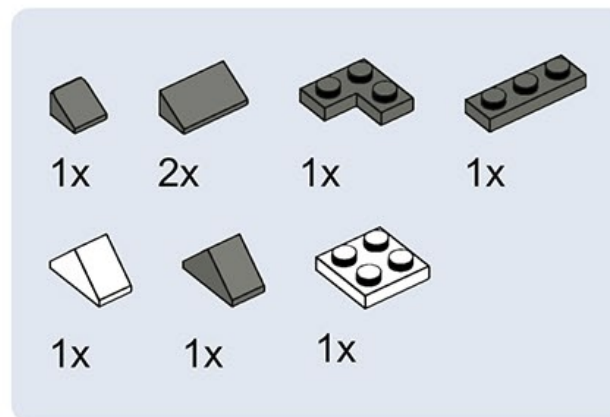
1x



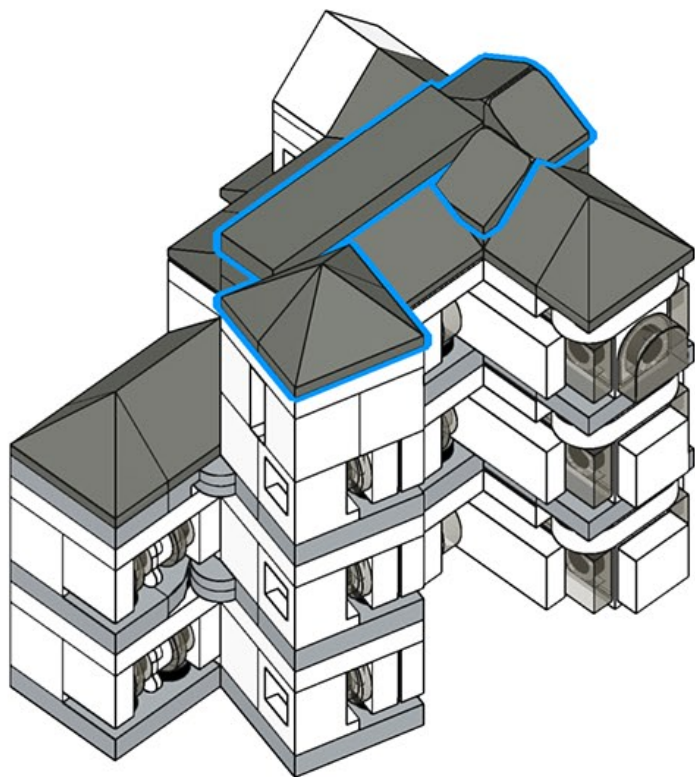
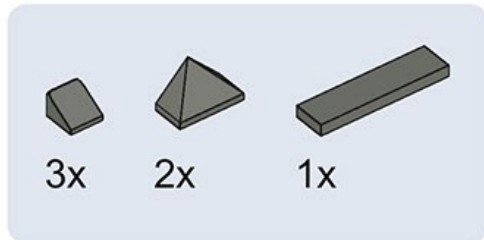
1032



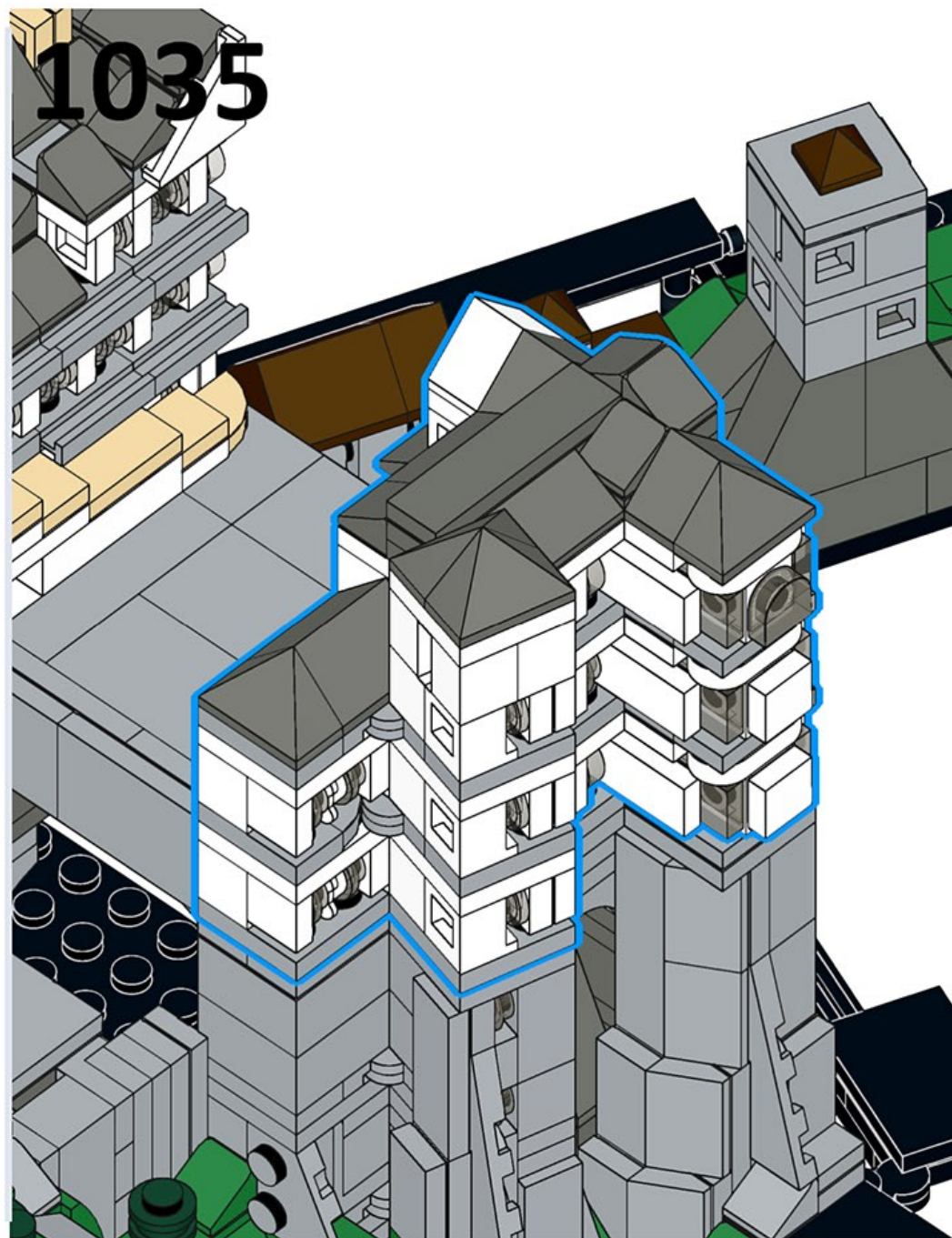
1033



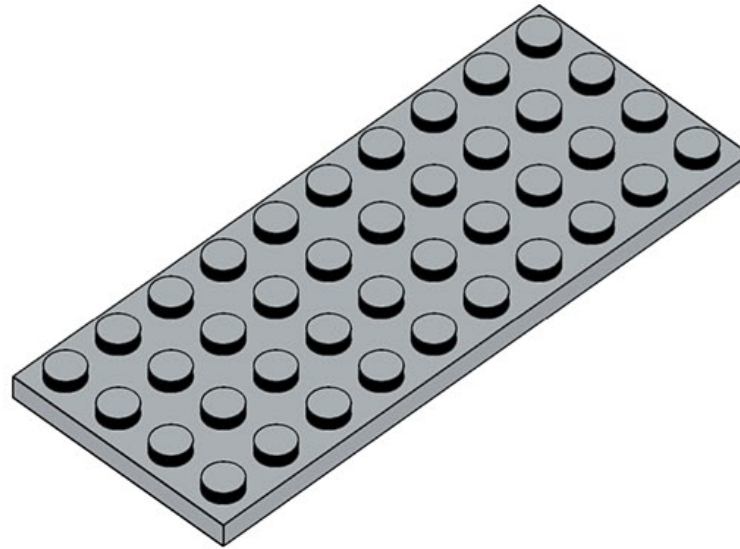
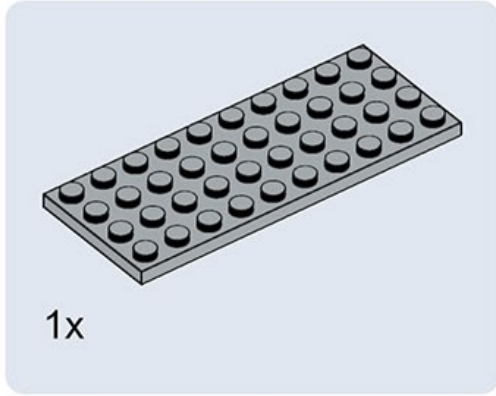
1034



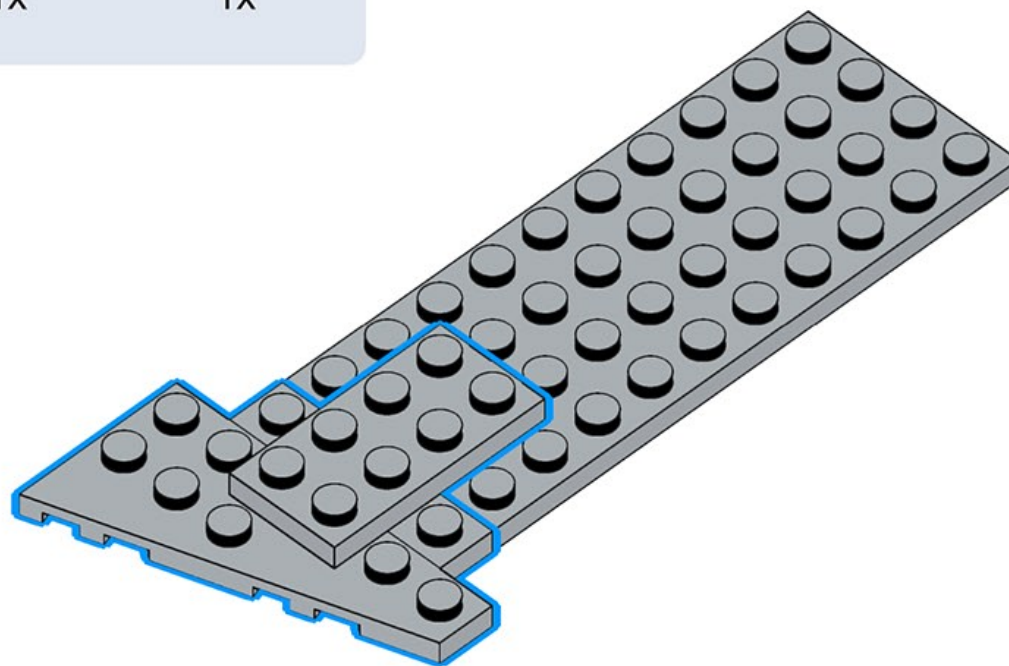
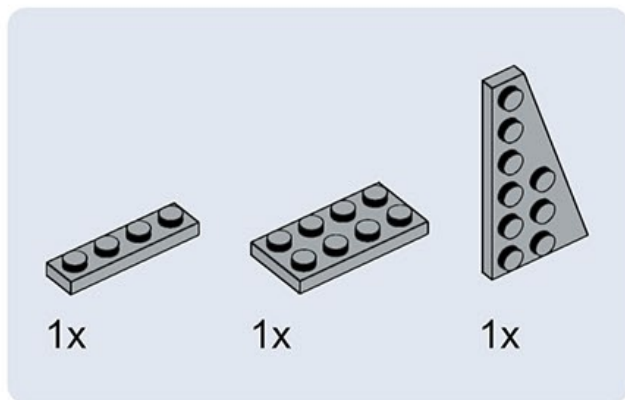
1035



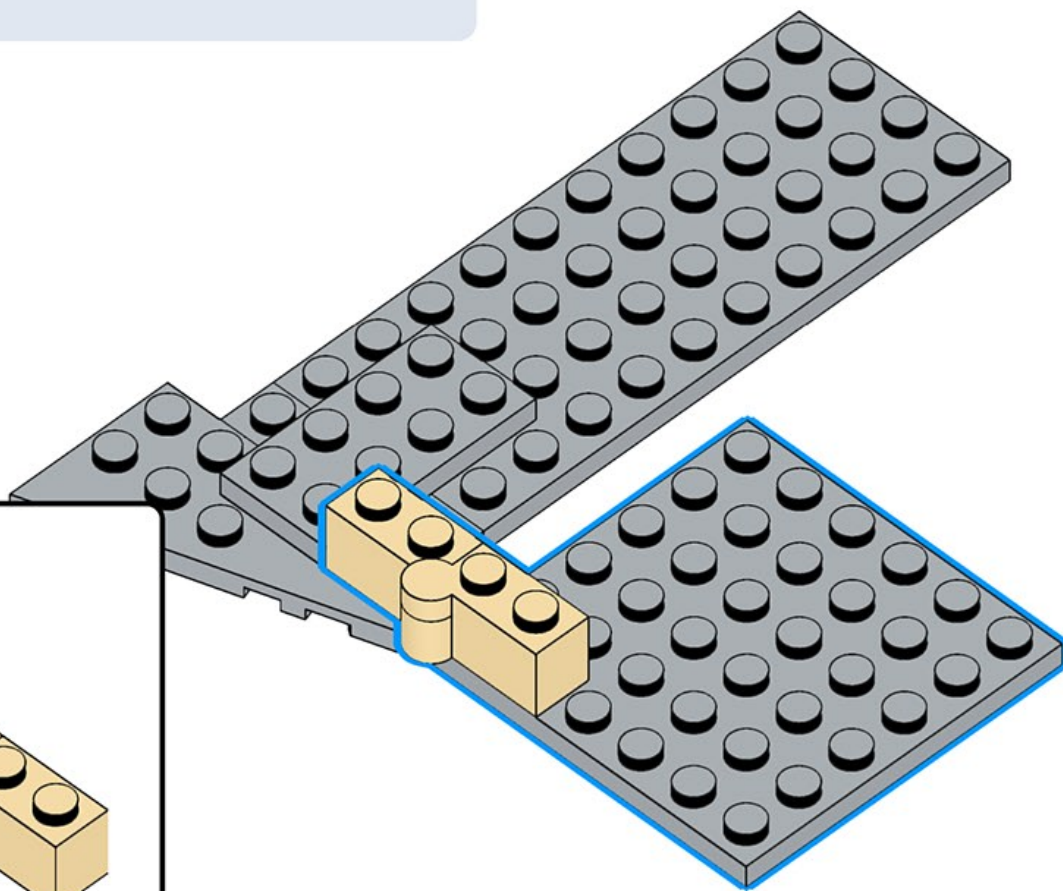
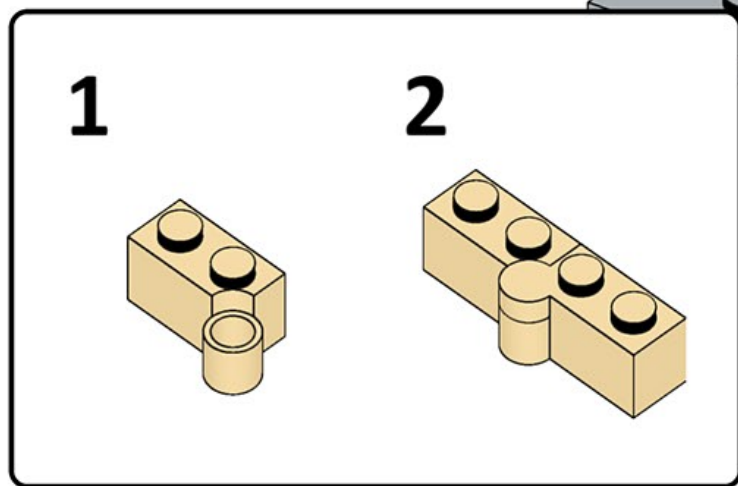
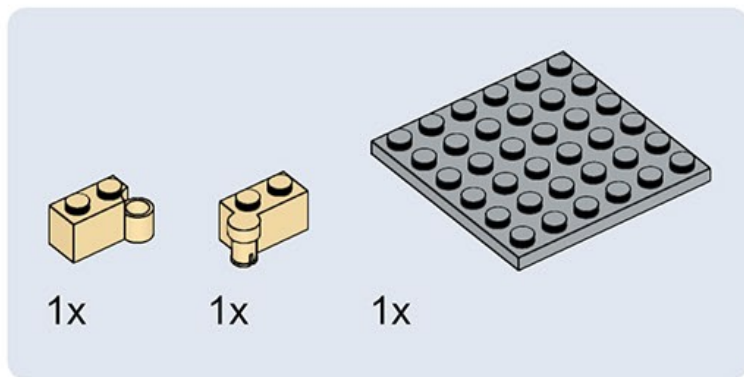
1036



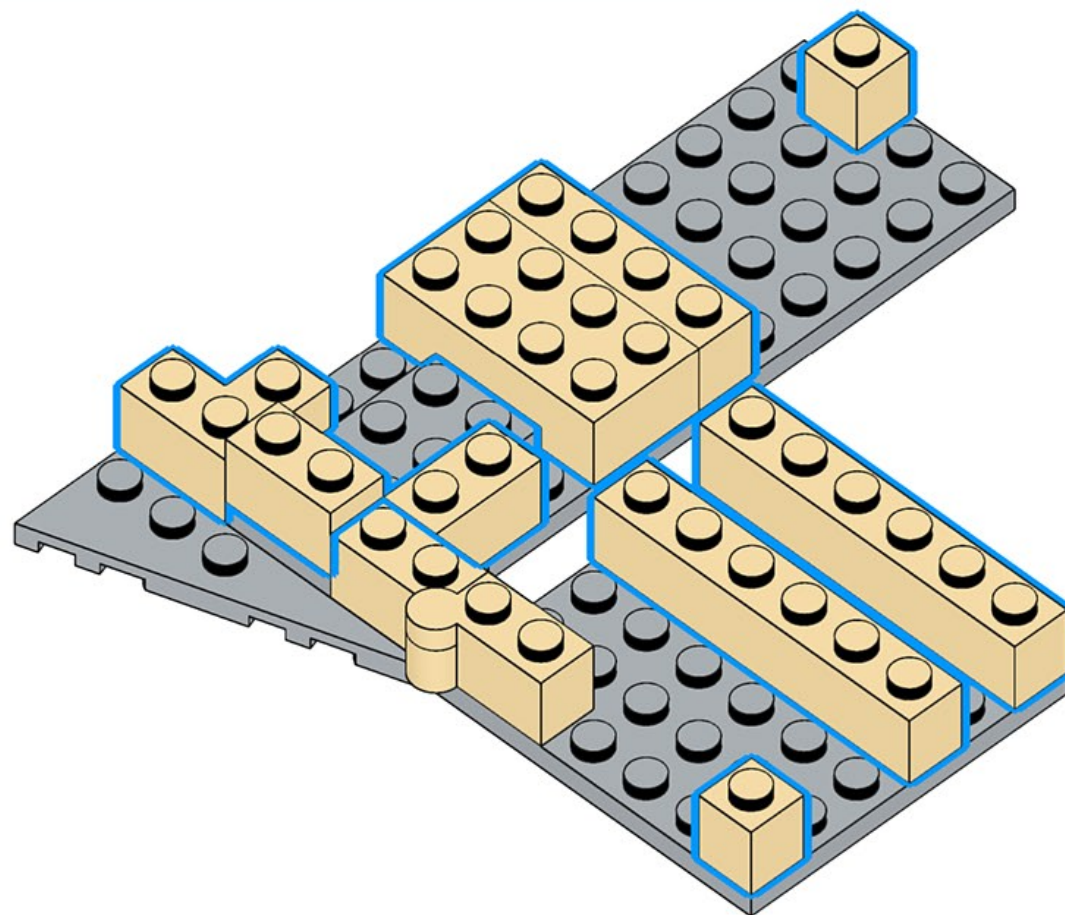
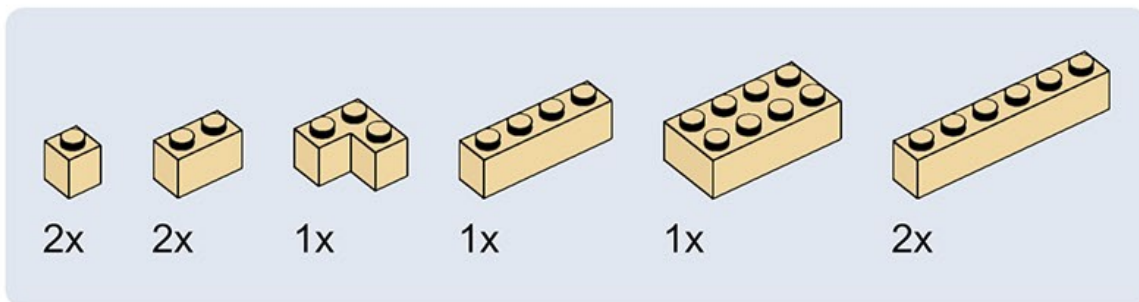
1037



1038



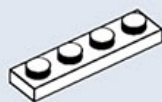
1039



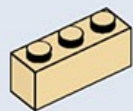
1040



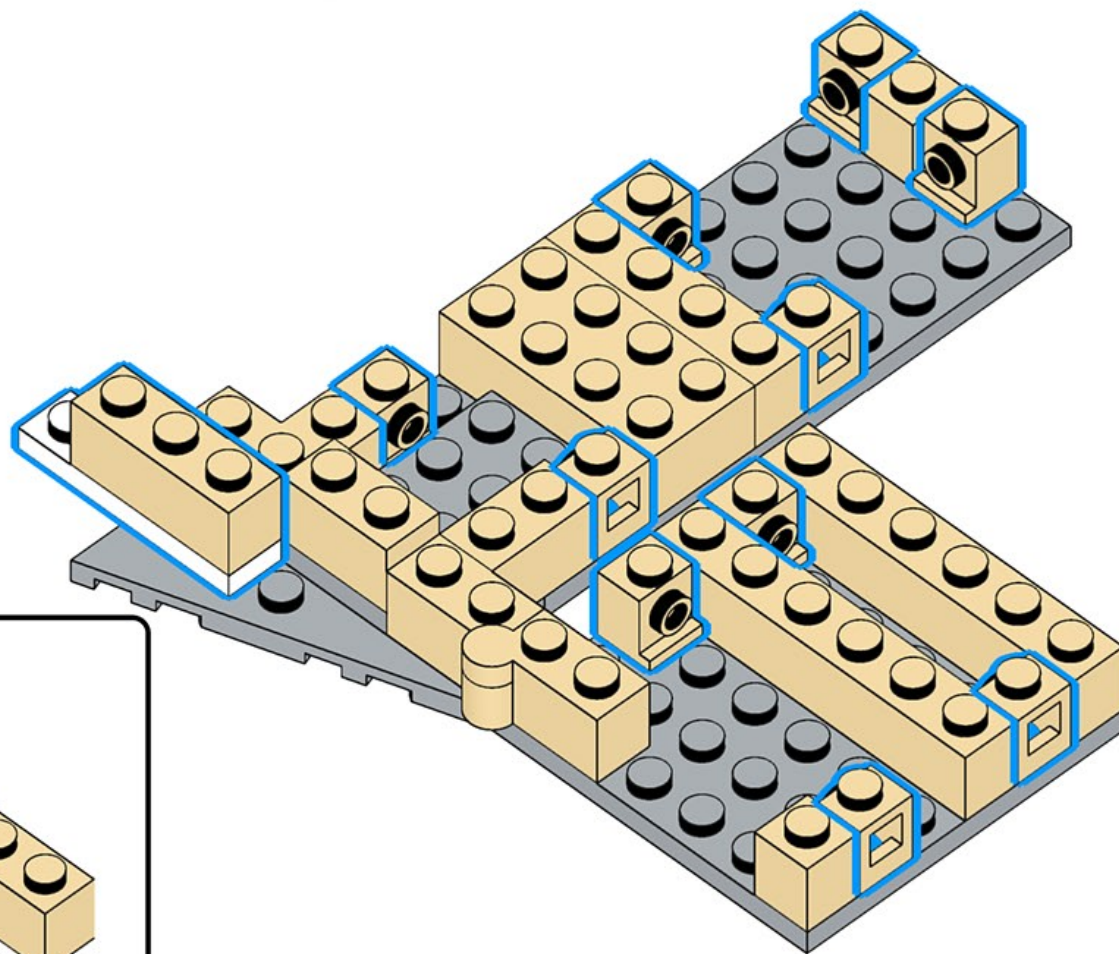
10x



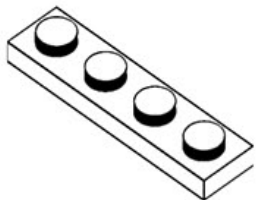
1x



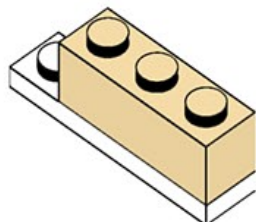
1x



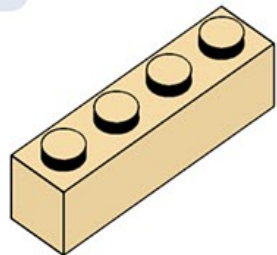
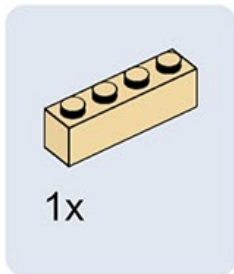
1



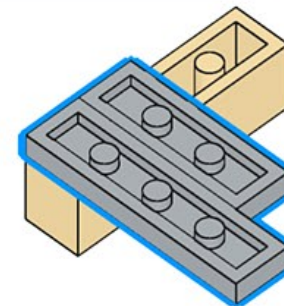
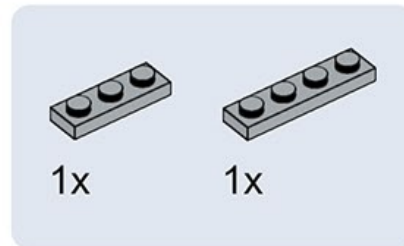
2



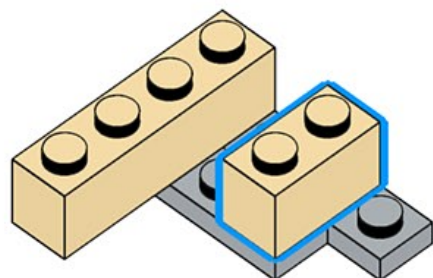
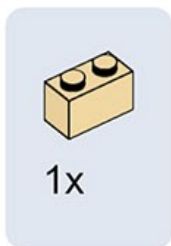
1041



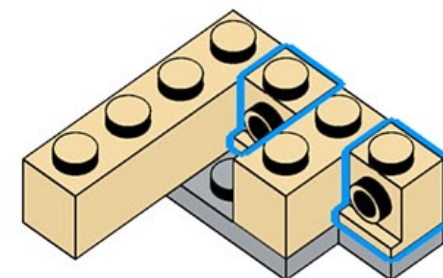
1042



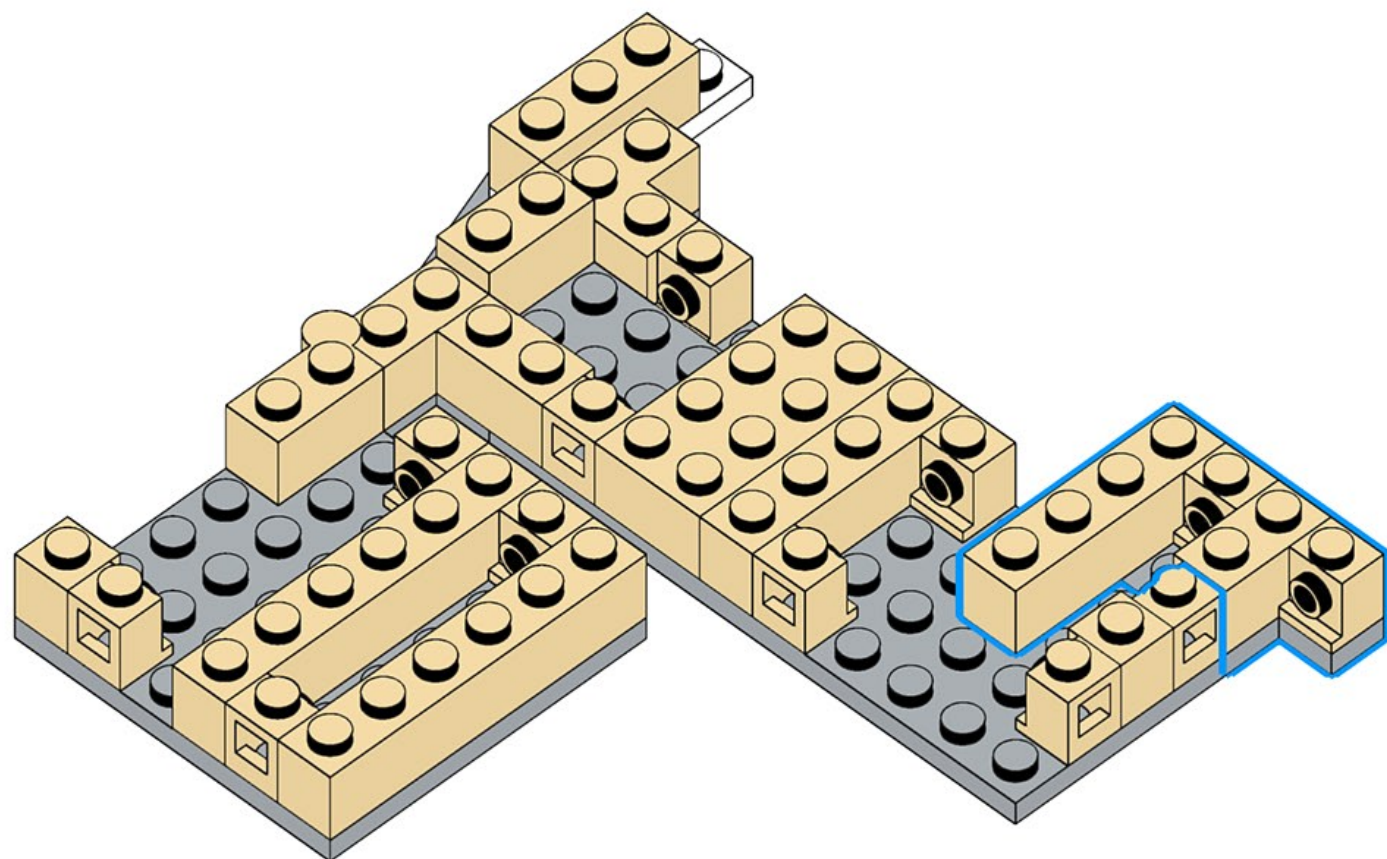
1043



1044



1045



1046



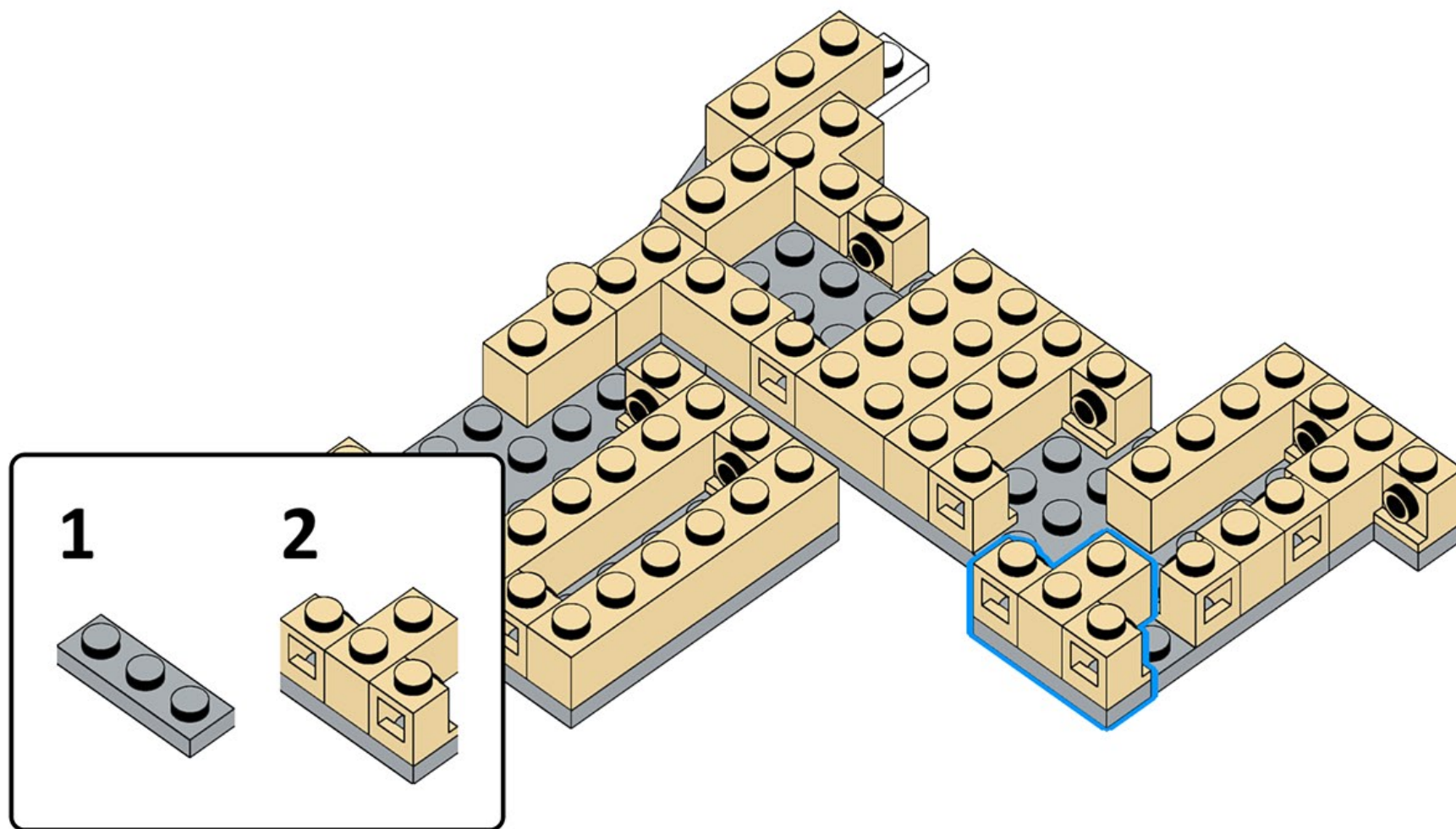
2x



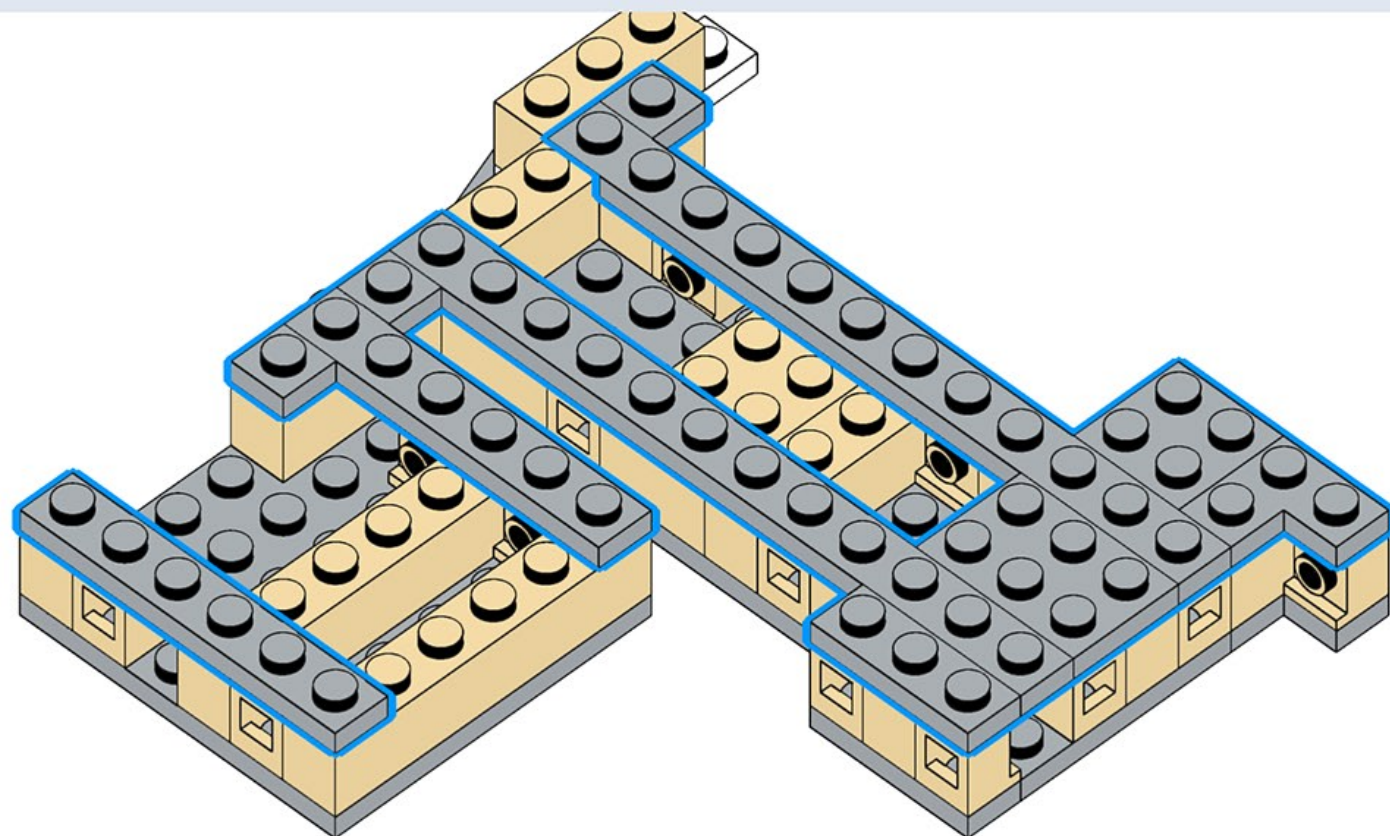
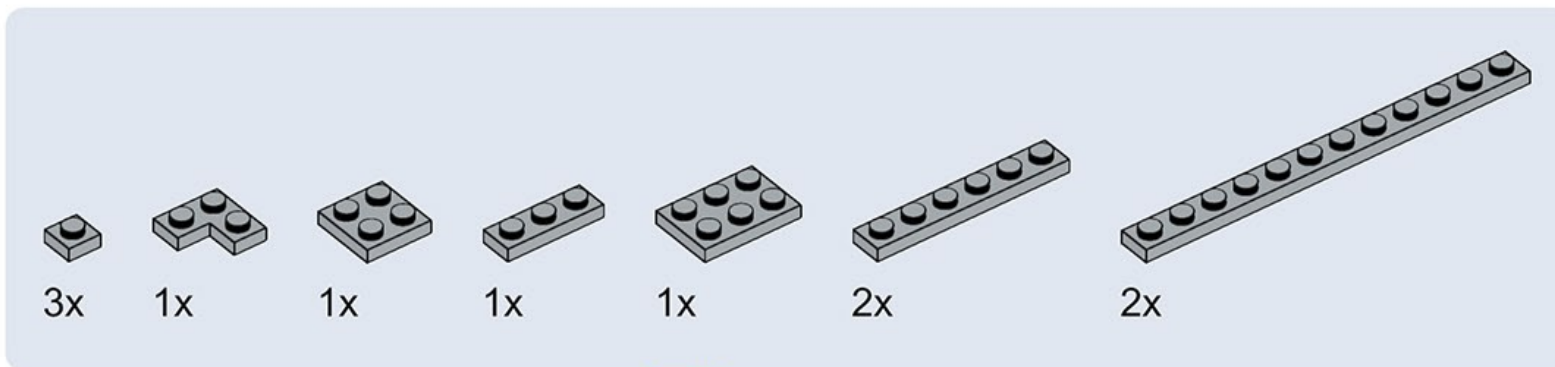
1x



1x



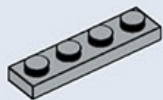
1047



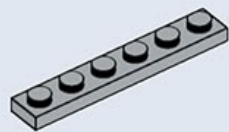
1048



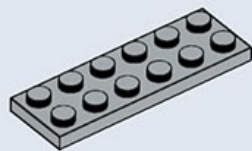
1x



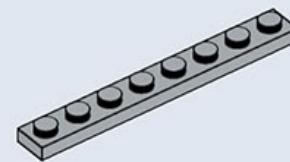
4x



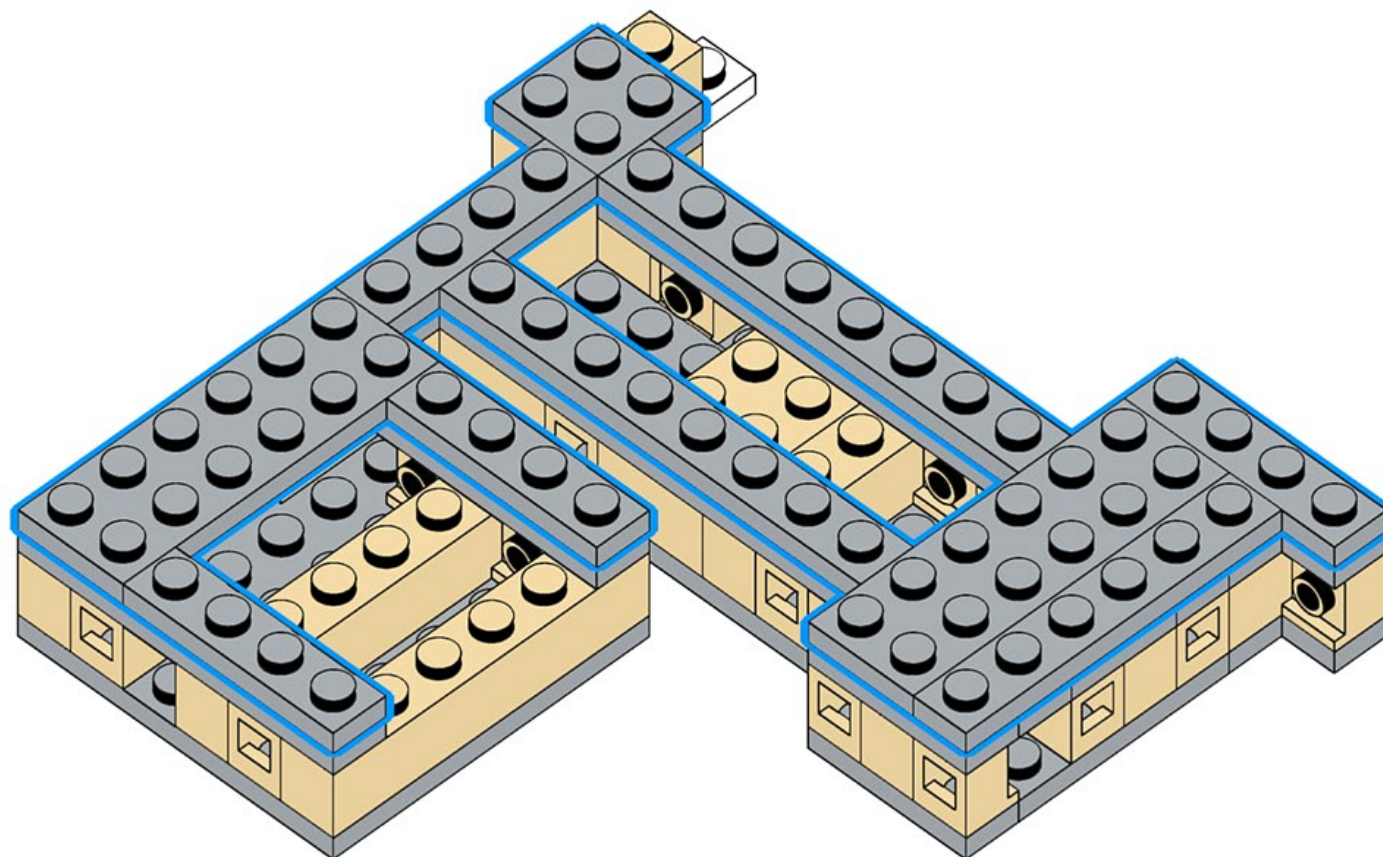
1x



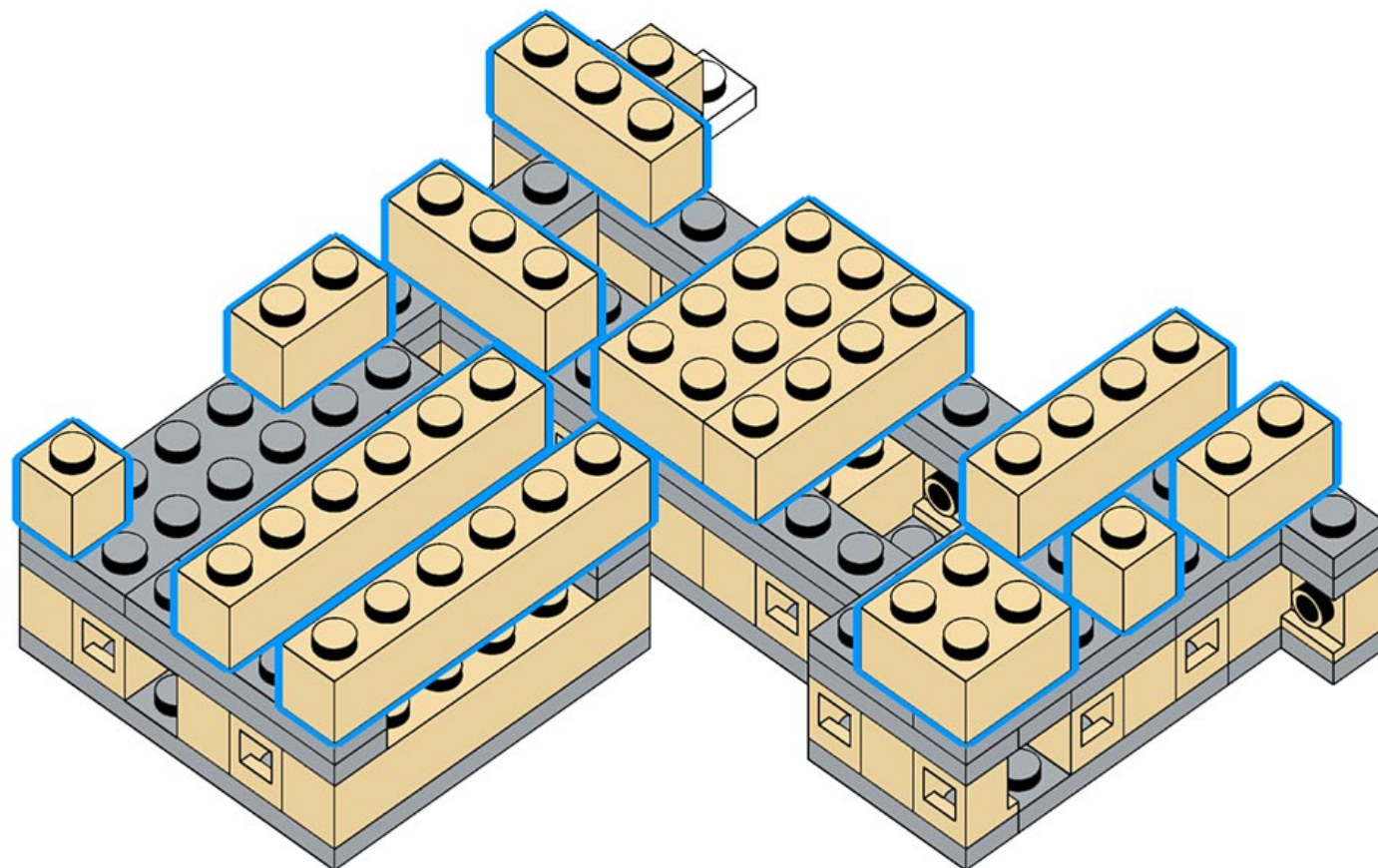
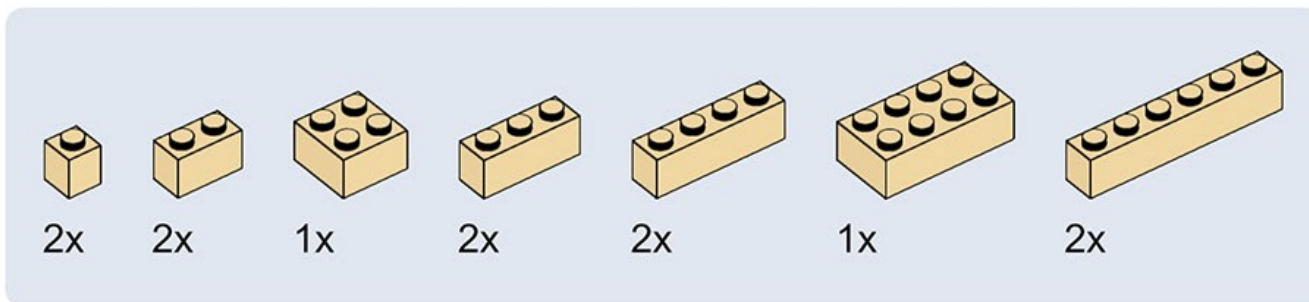
2x



2x

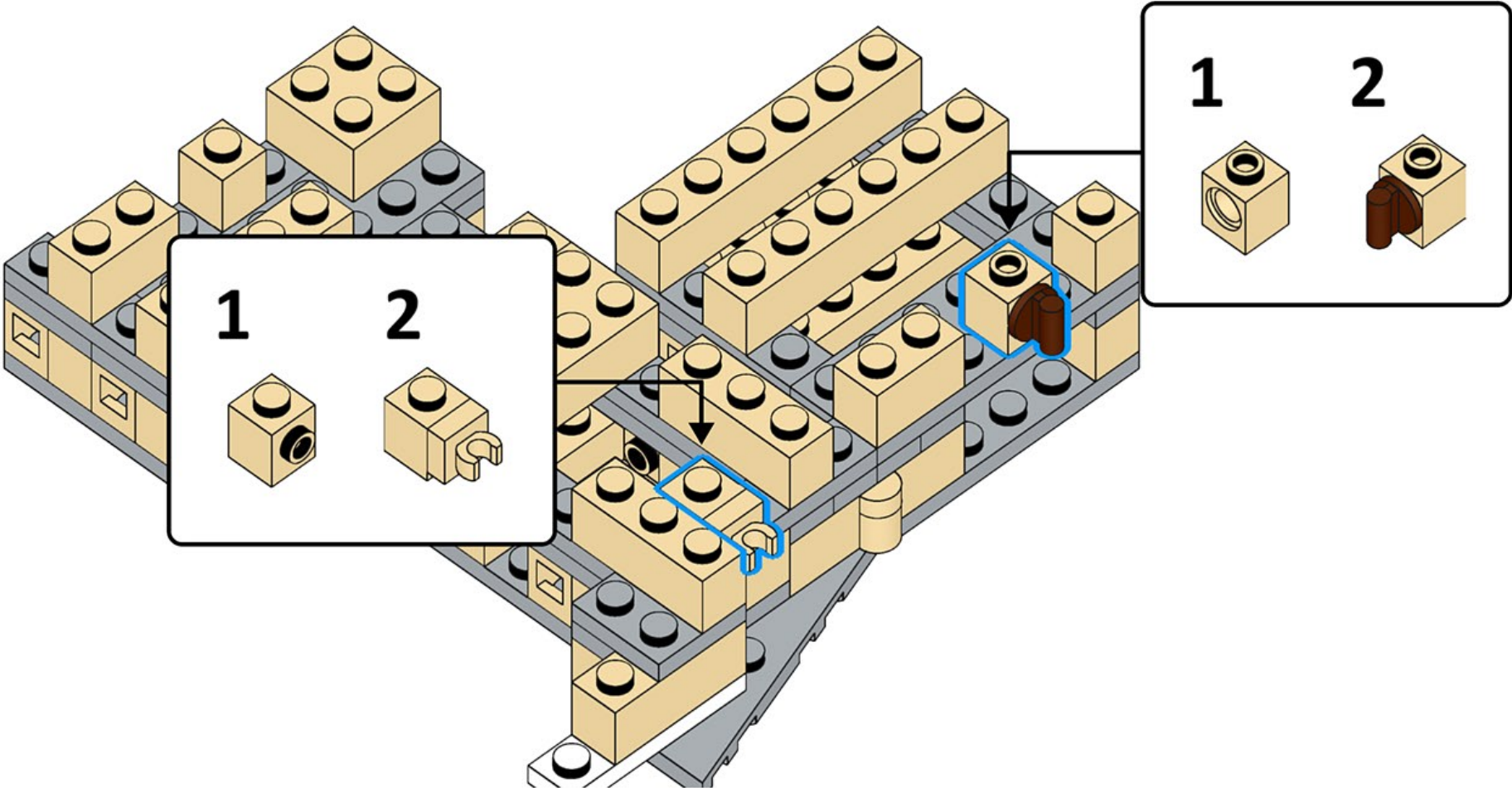


1049



1050

1x	1x	1x	1x



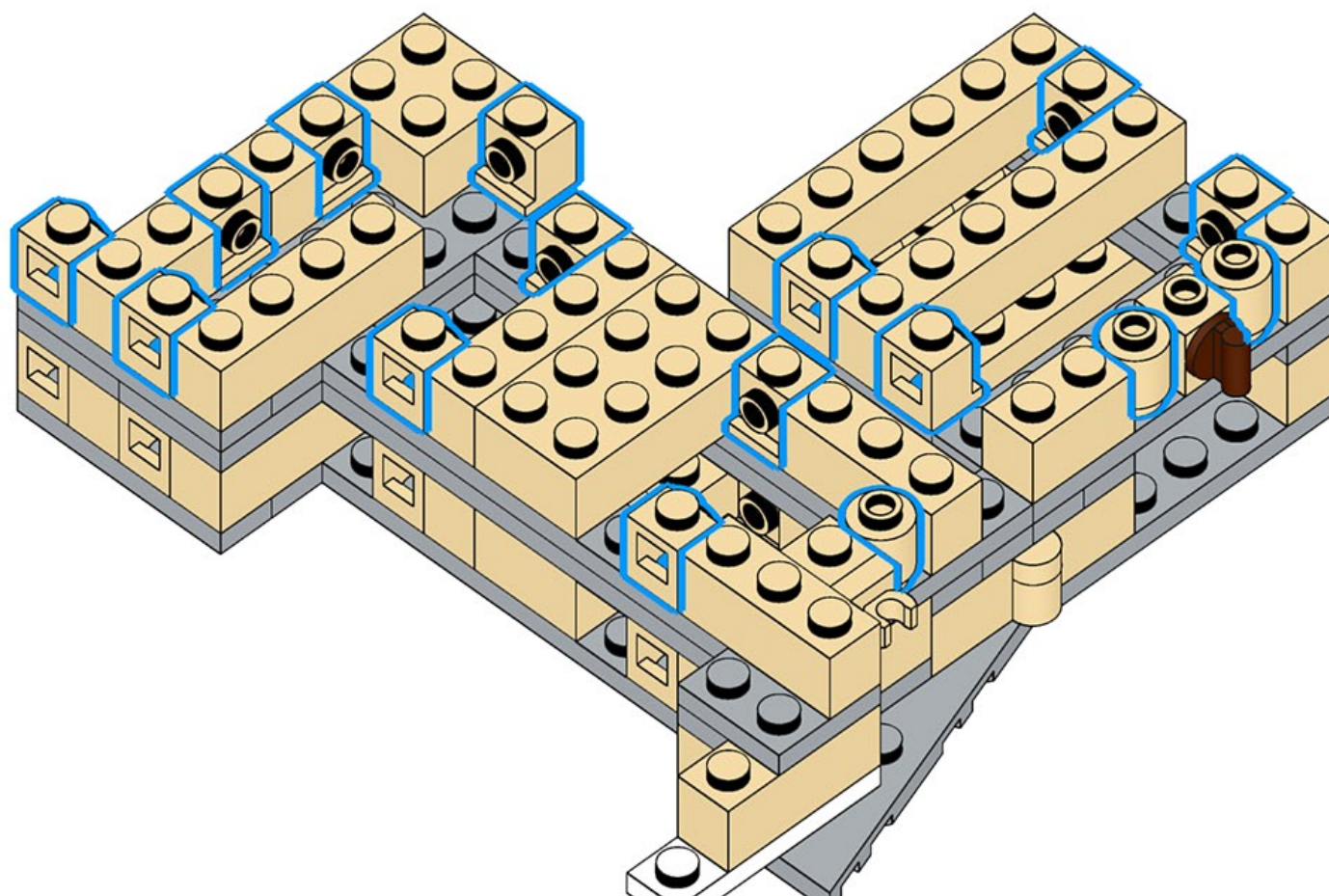
1051



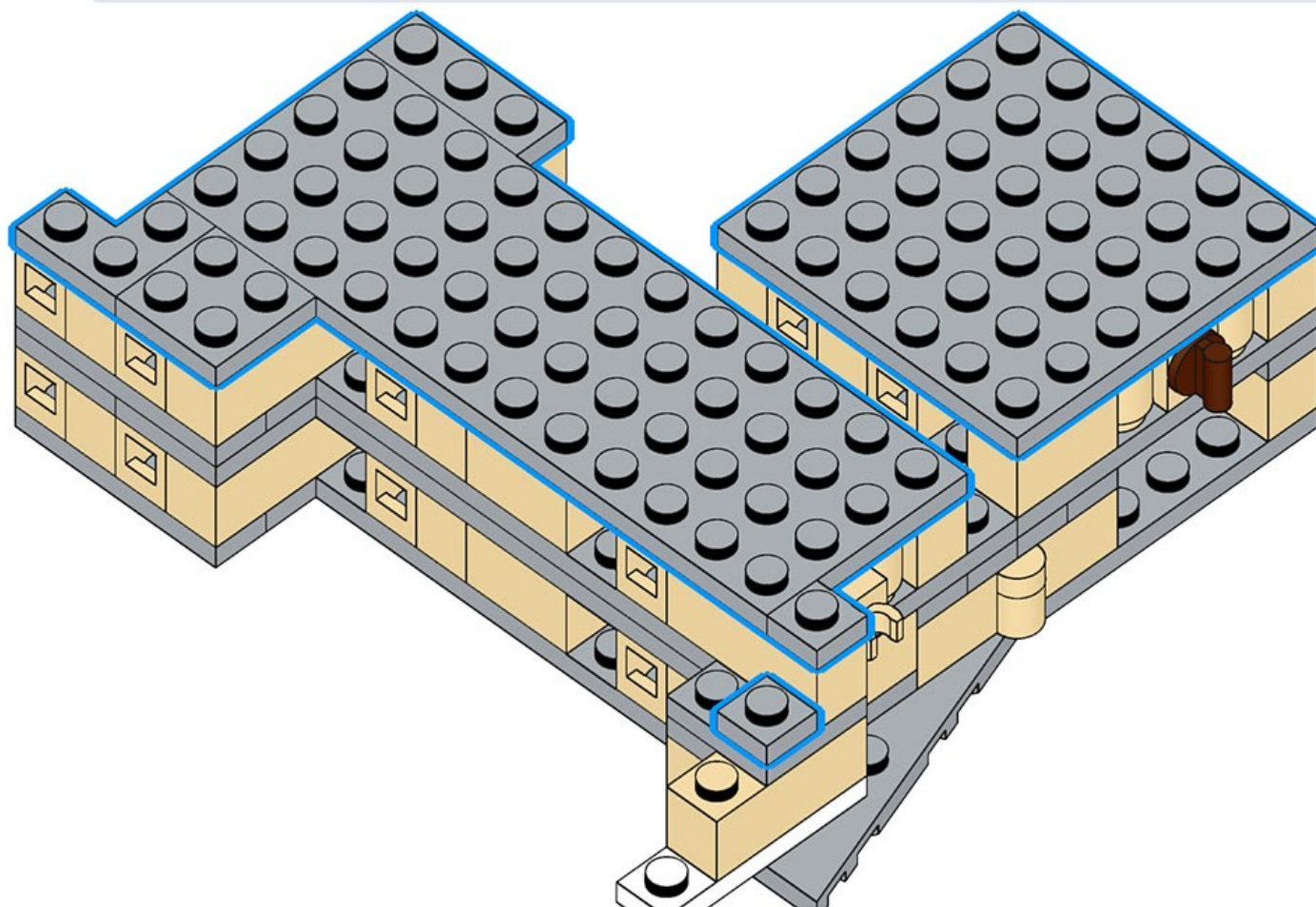
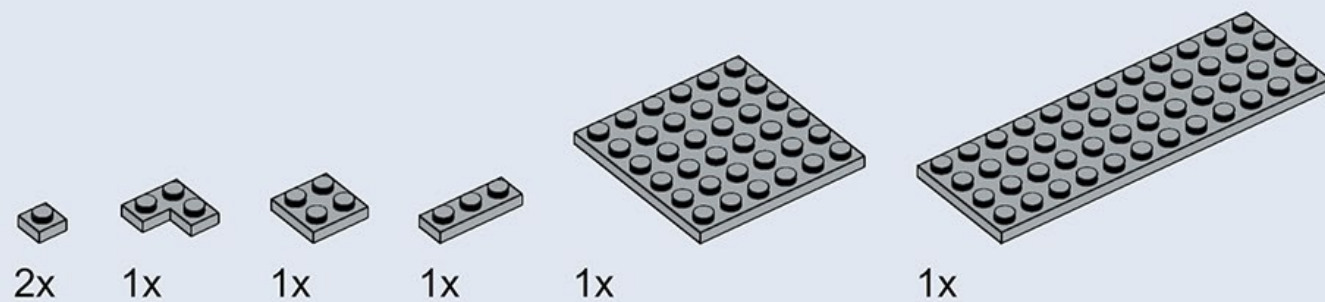
13x



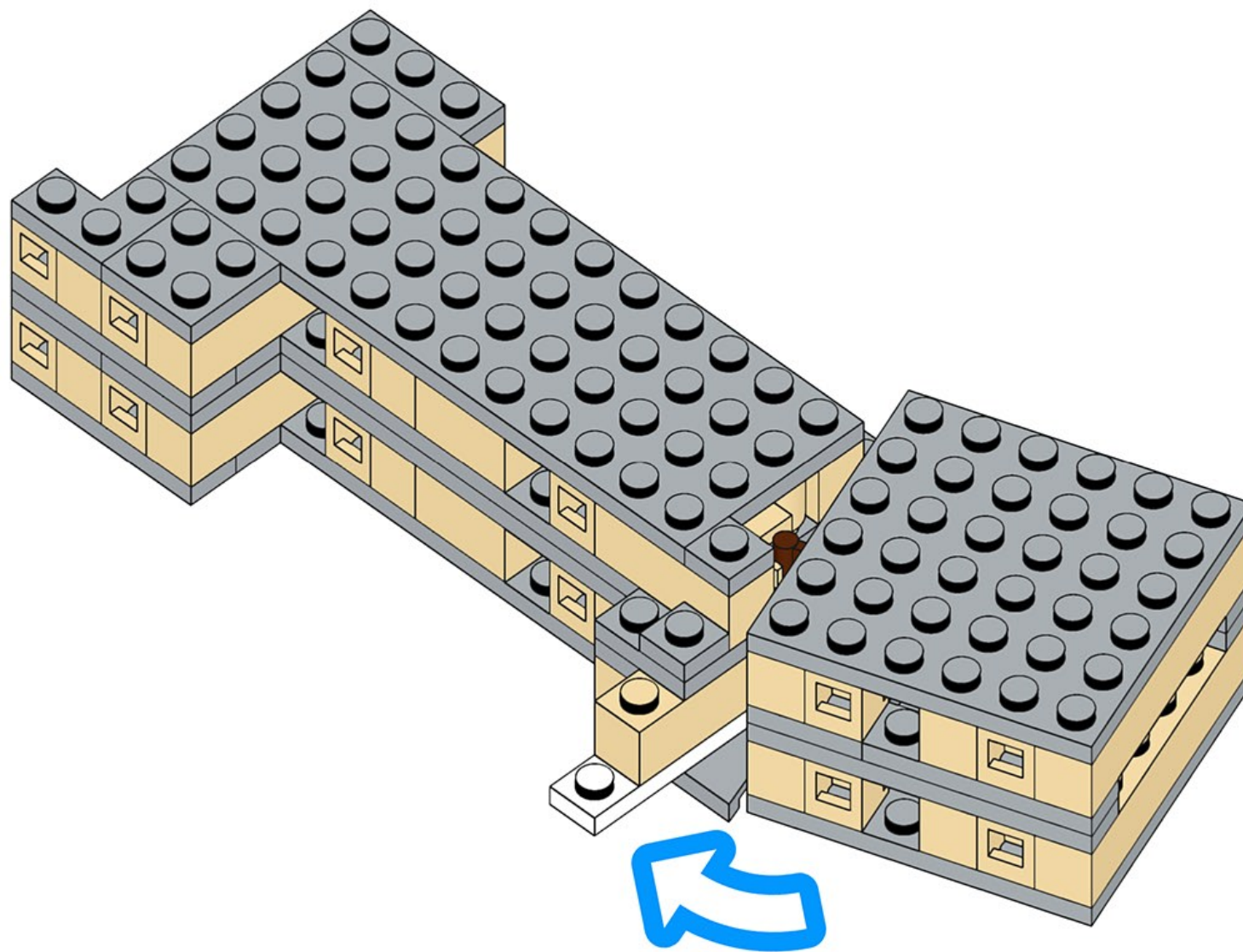
3x



1052



1053



1054



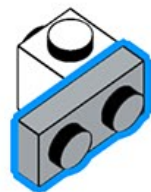
1x



1055



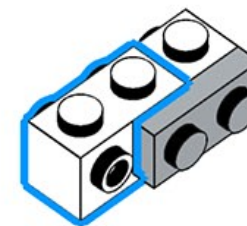
1x



1056



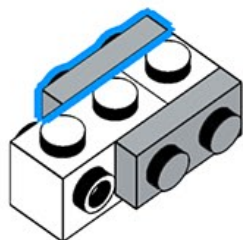
1x



1057



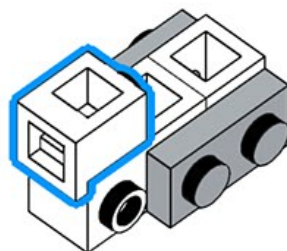
1x



1058



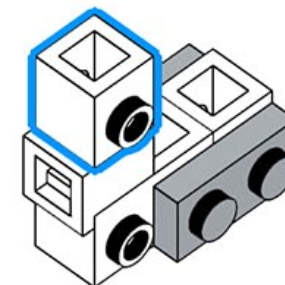
1x



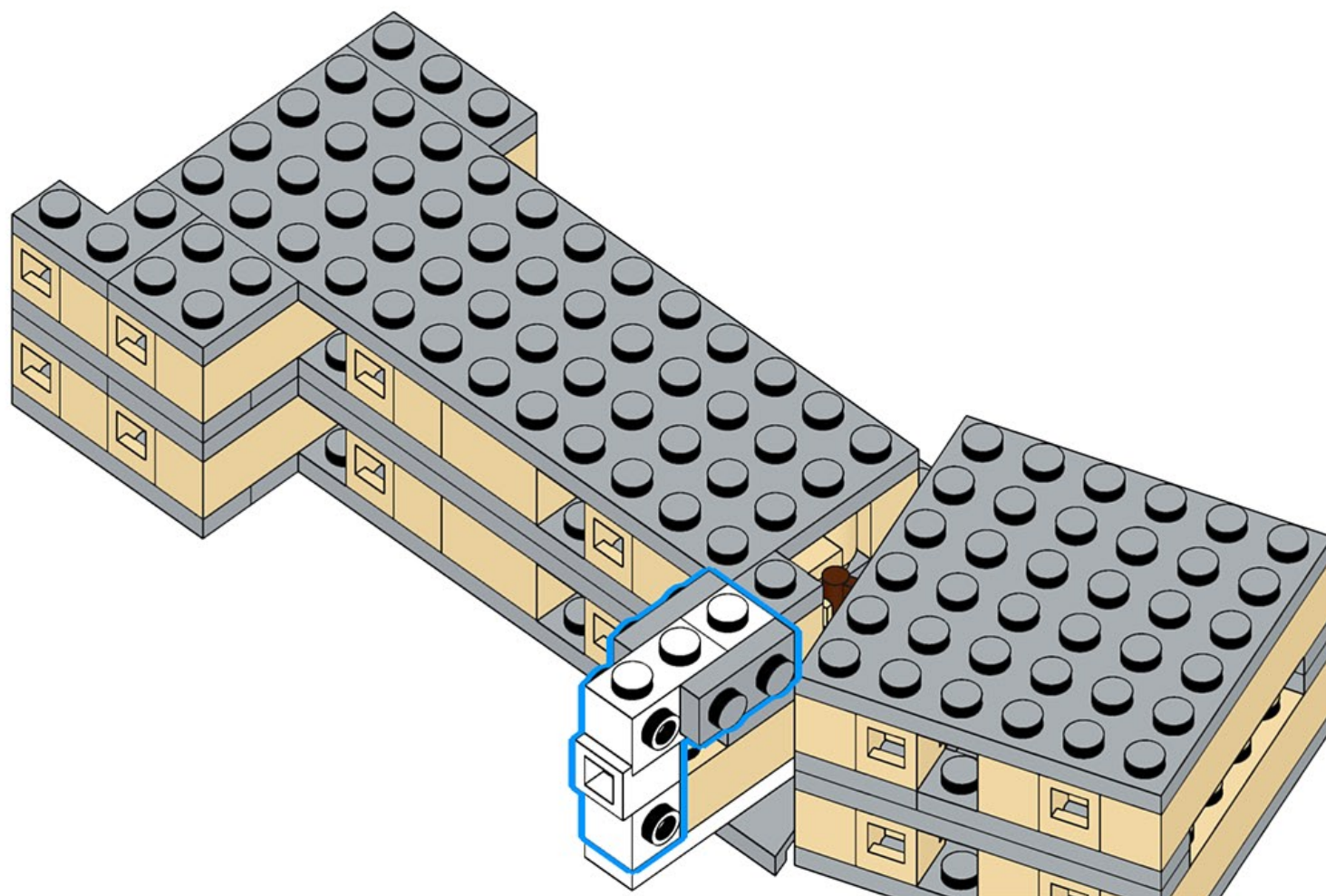
1059



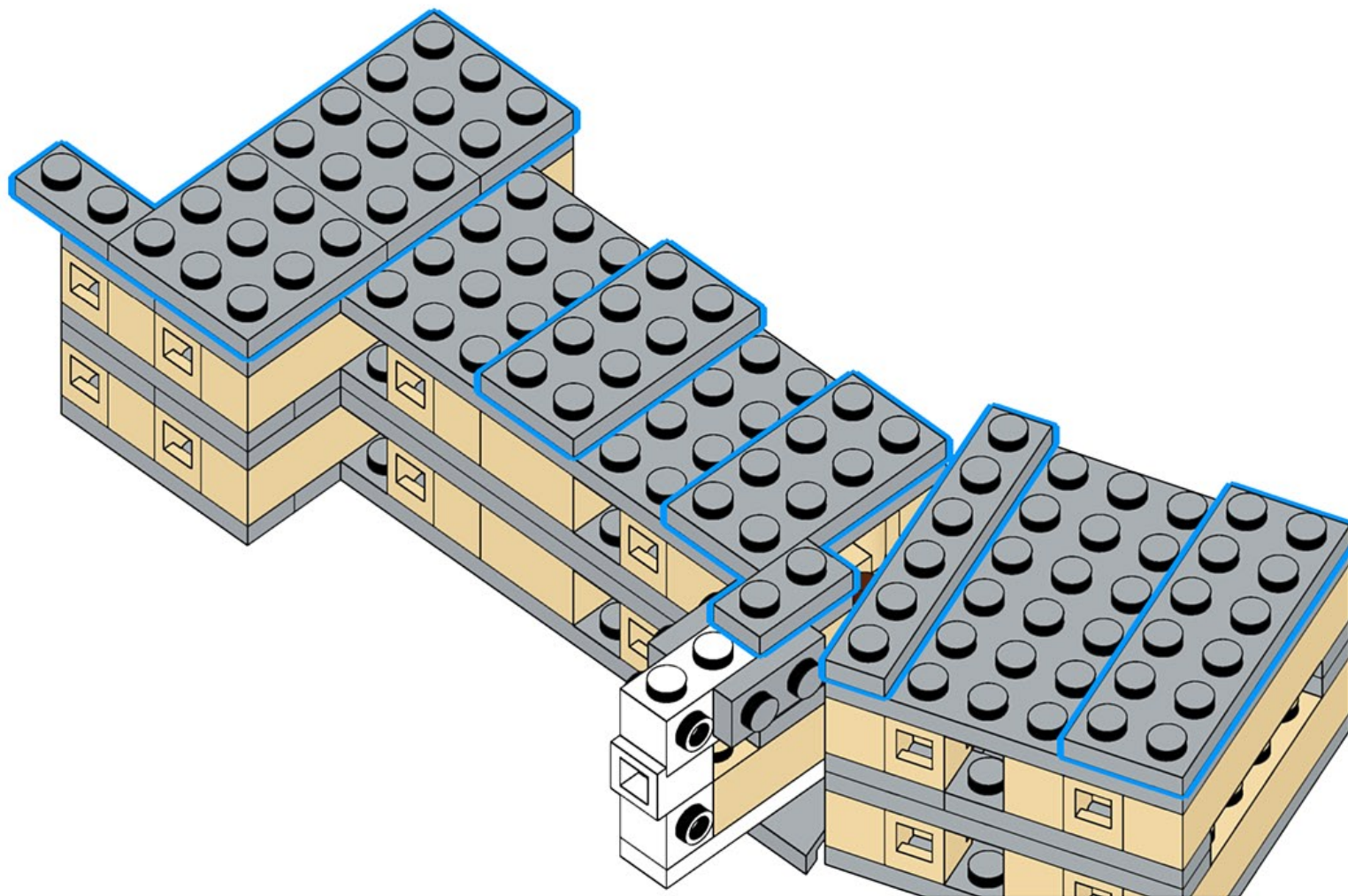
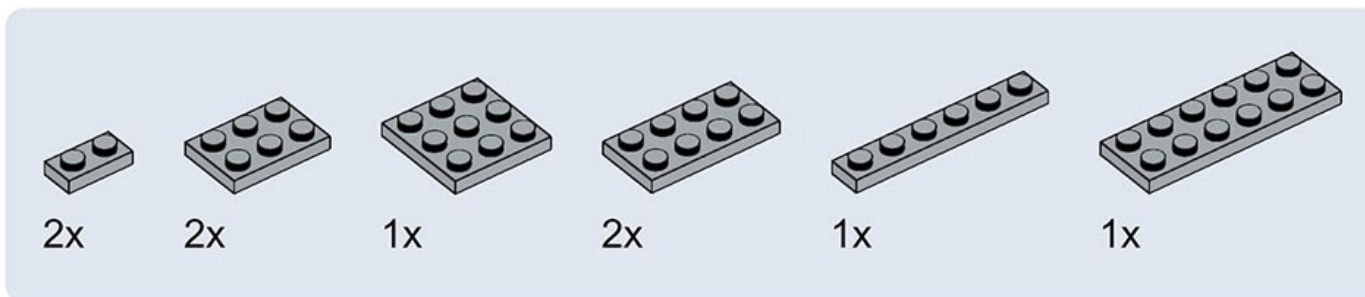
1x







1060



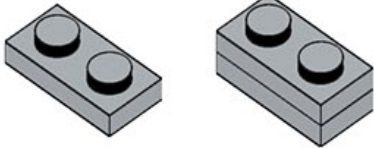
1061



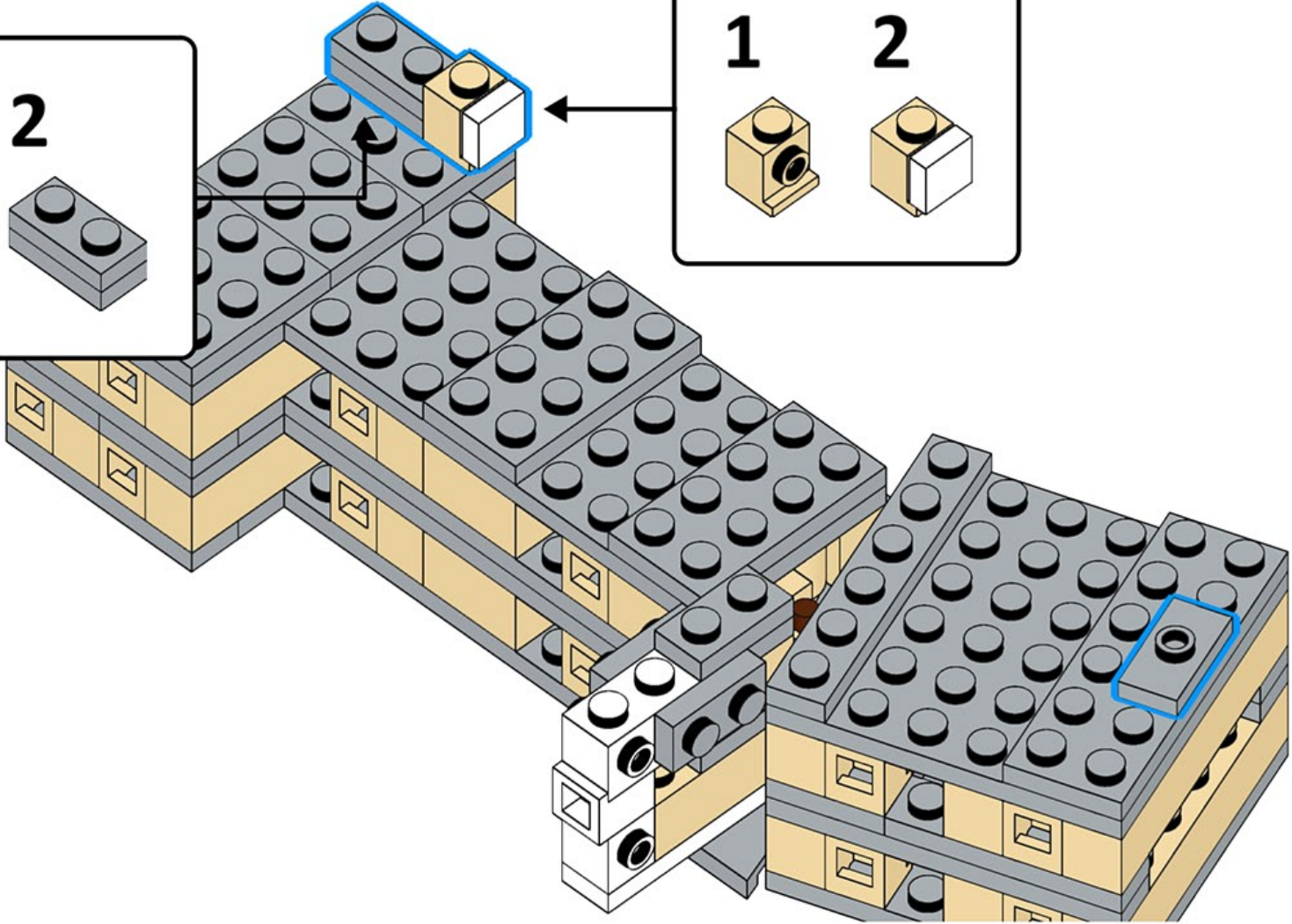
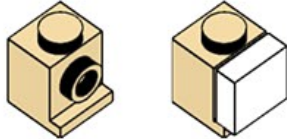
1062

			
1x	2x	1x	1x

1 2



1 2



1063



1x



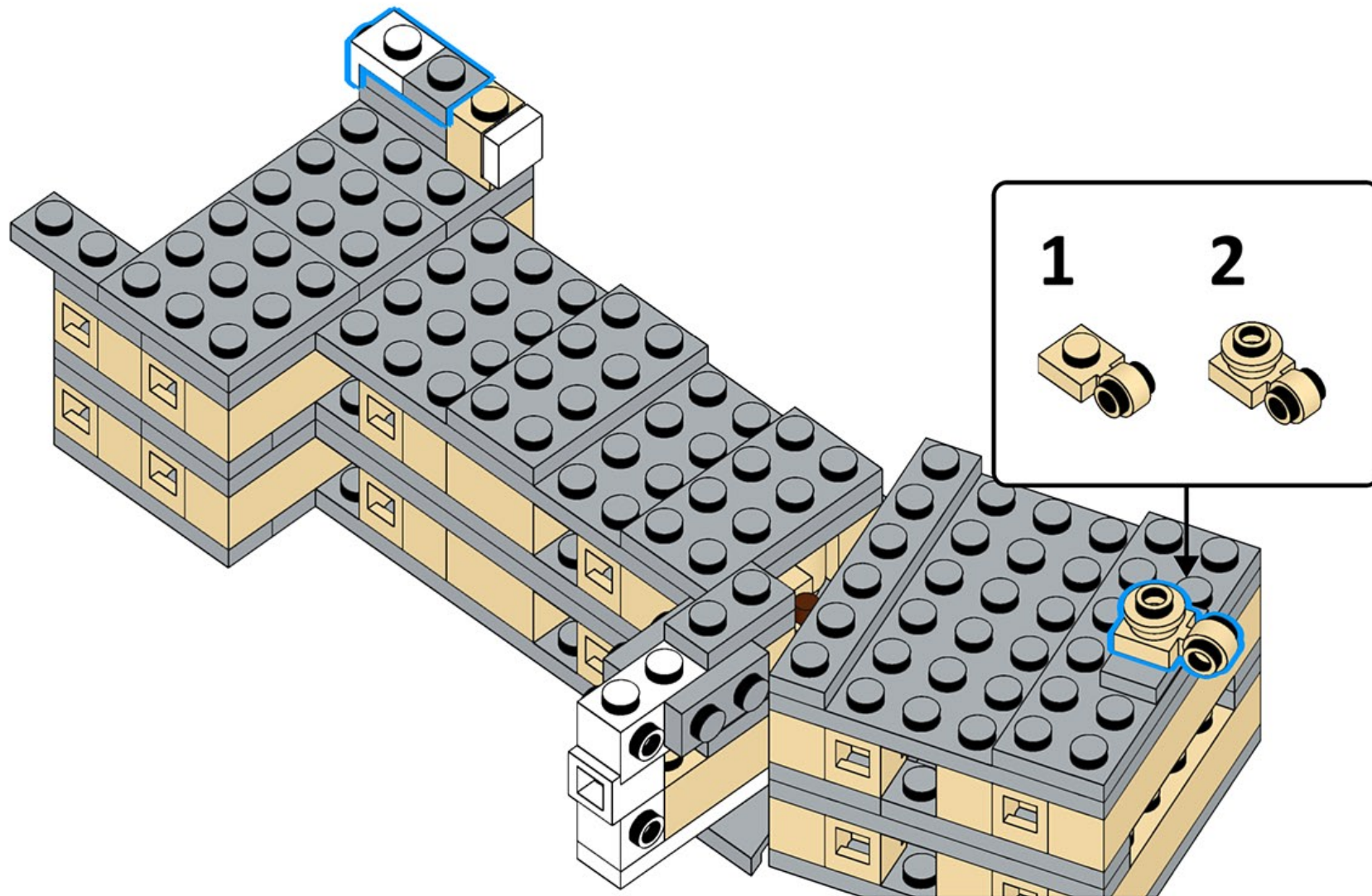
1x



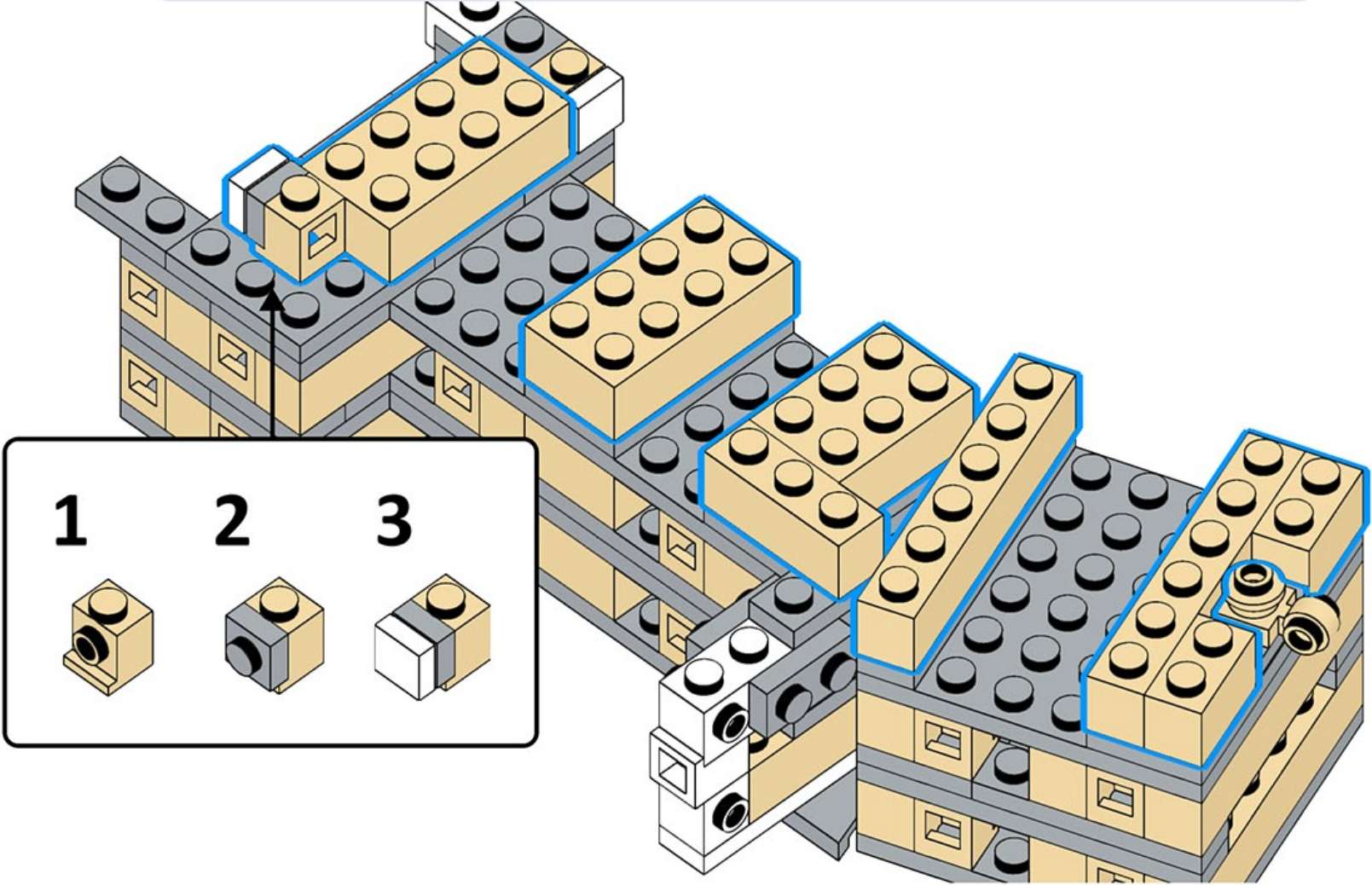
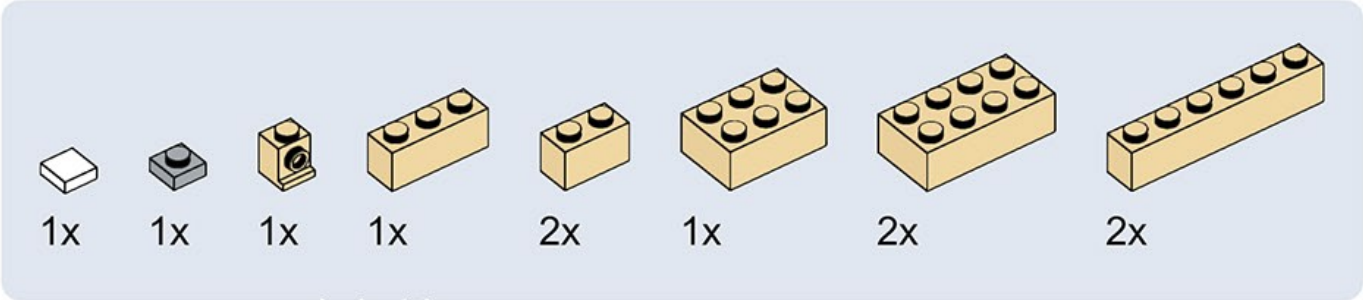
1x



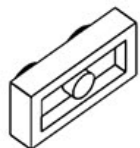
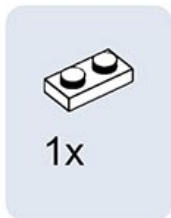
1x



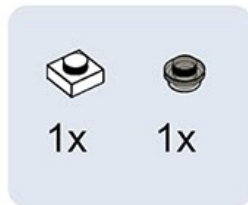
1064



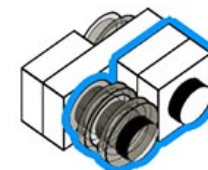
1065



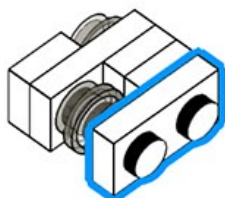
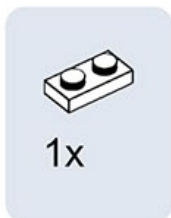
1066



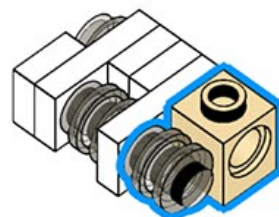
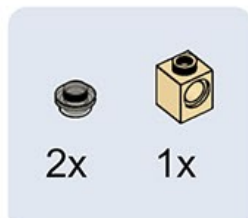
1067



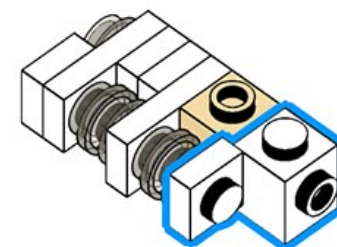
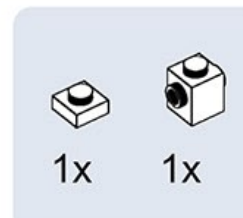
1068



1069



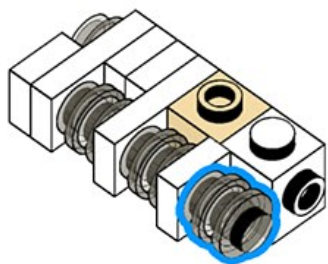
1070



1071



2x



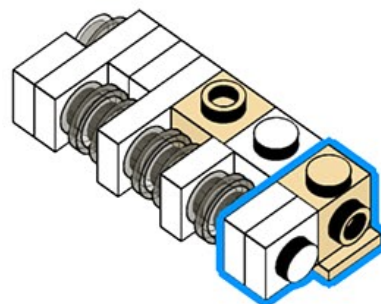
1072



2x



1x



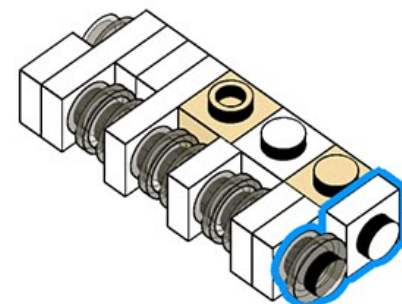
1073



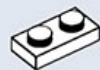
1x



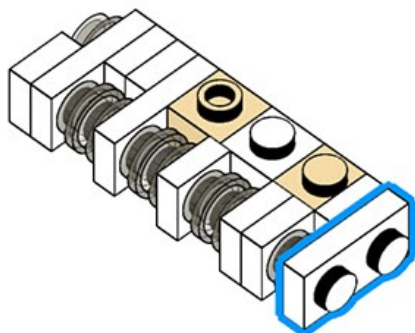
1x



1074



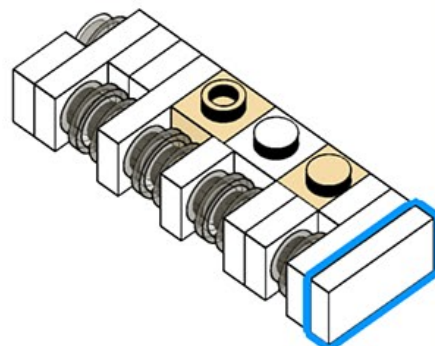
1x



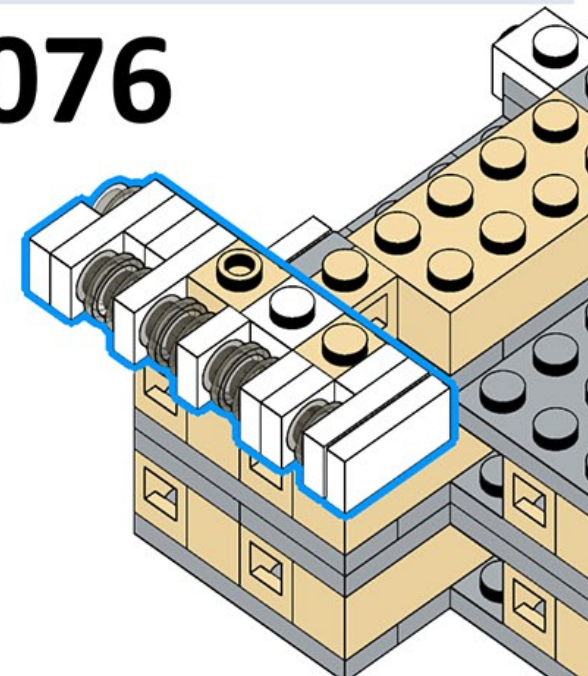
1075



1x



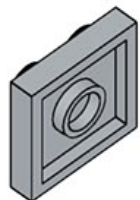
1076



1077



1x



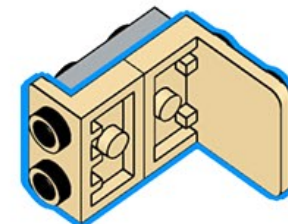
1078



1x



1x



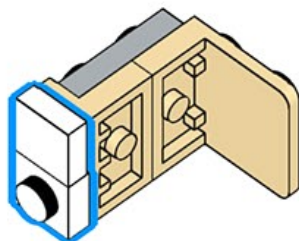
1079



1x



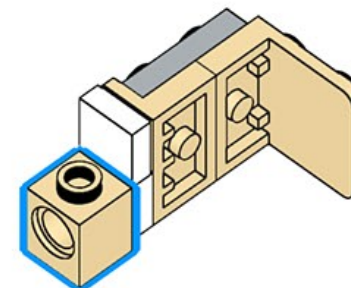
1x



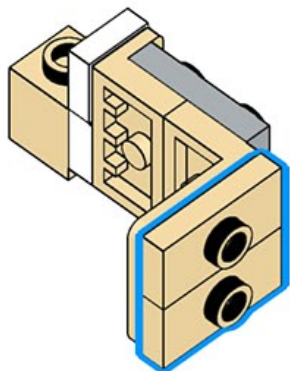
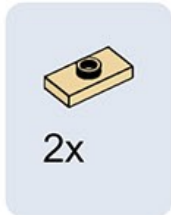
1080



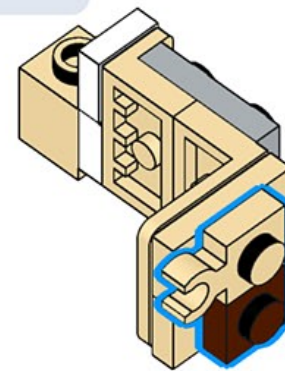
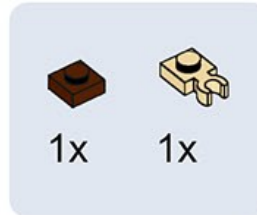
1x



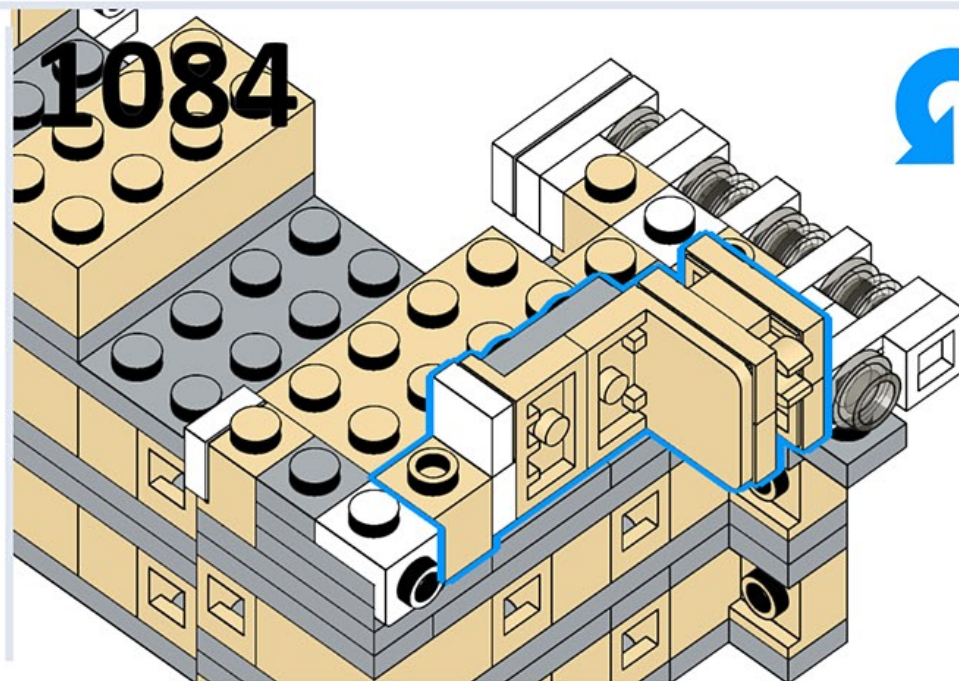
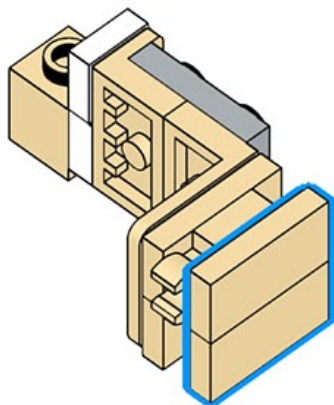
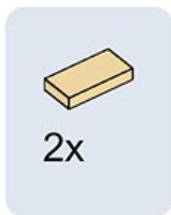
1081



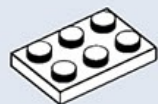
1082



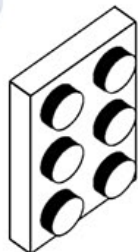
1083



1085



1x



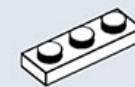
1086



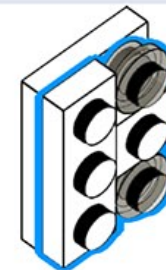
1x



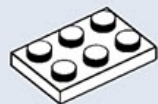
2x



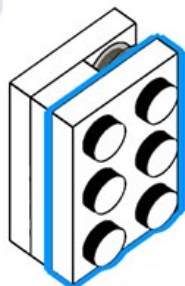
1x



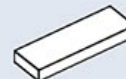
1087



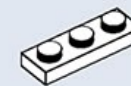
1x



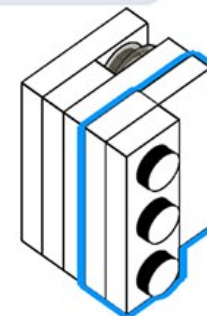
1088



1x



2x



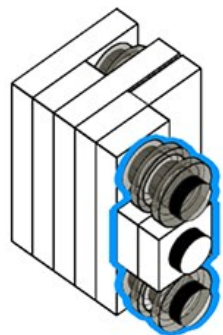
1089



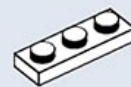
2x



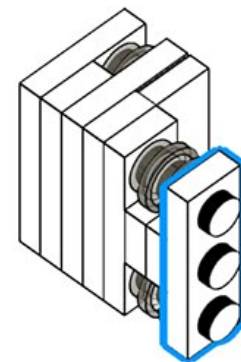
4x



1090



1x



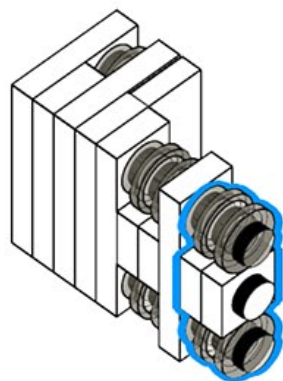
1091



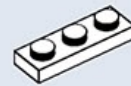
2x



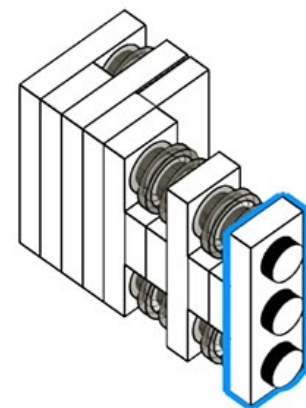
4x



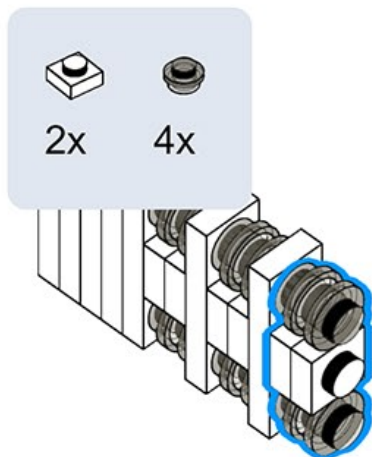
1092



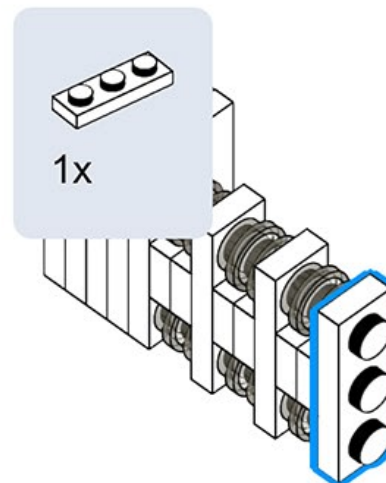
1x



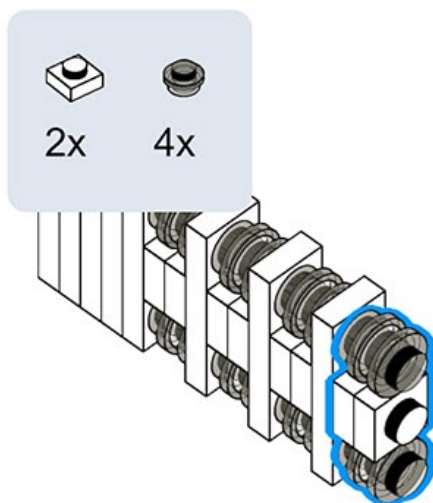
1093



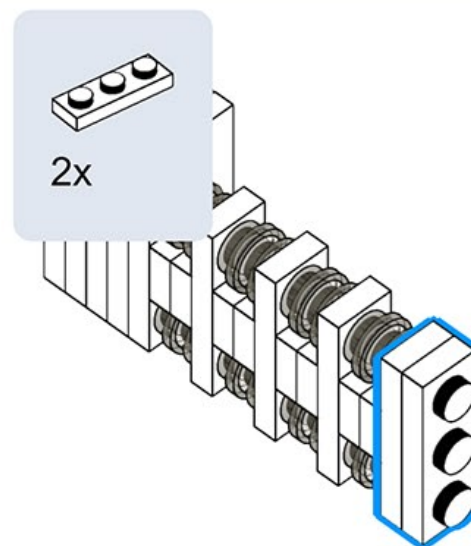
1094



1095



1096



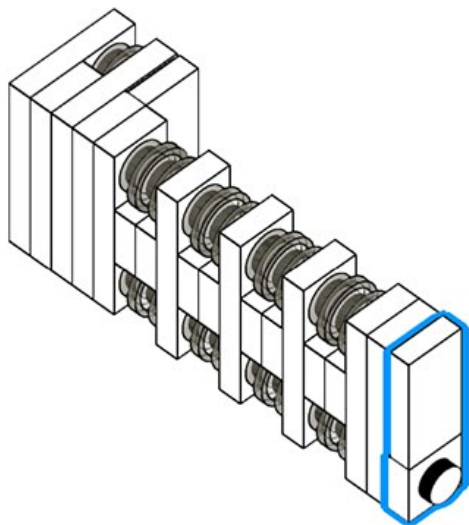
1097



1x



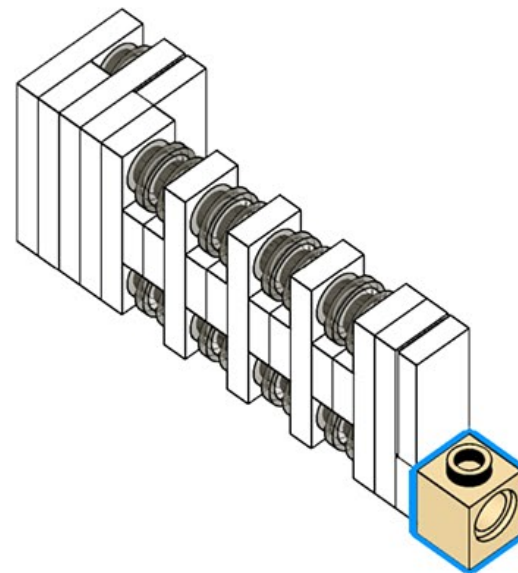
1x



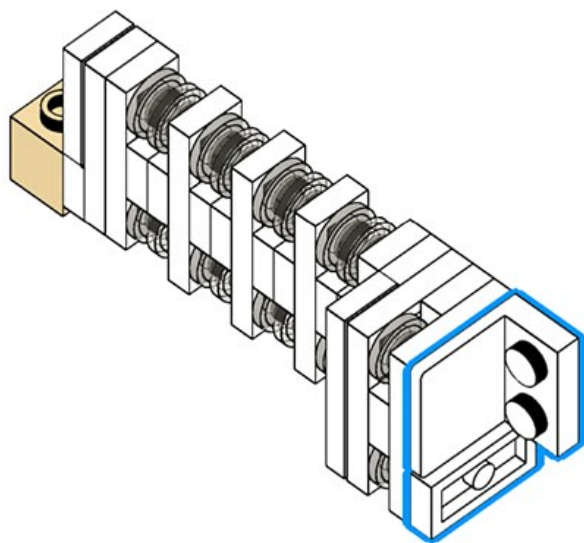
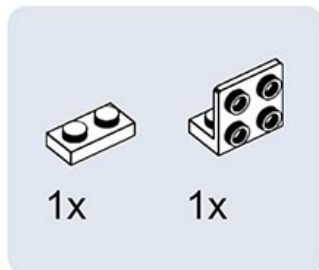
1098



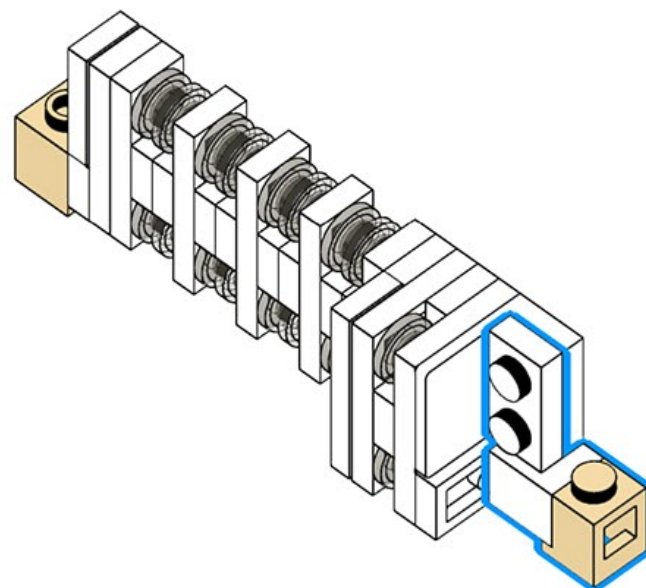
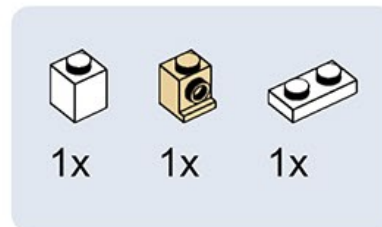
1x



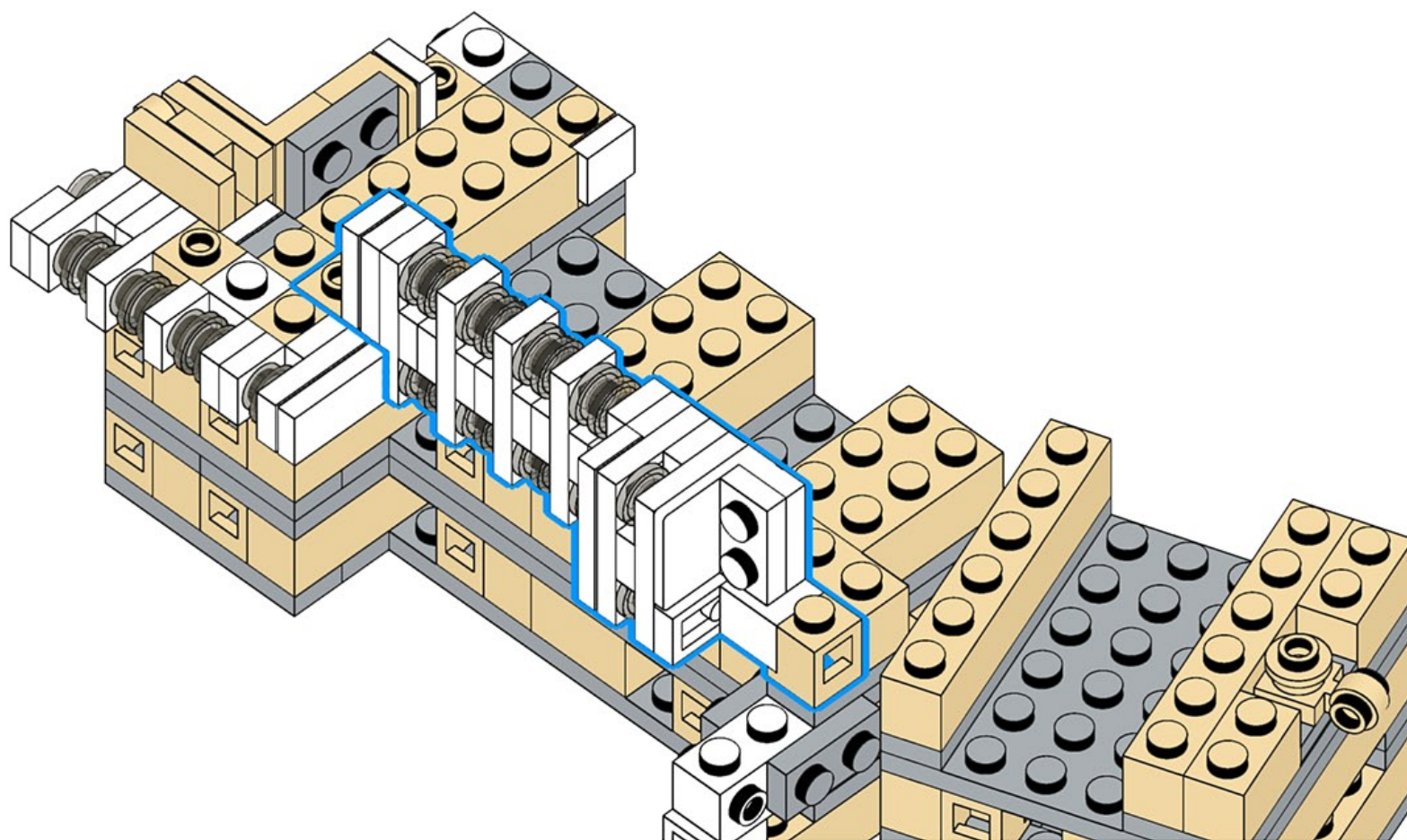
1099



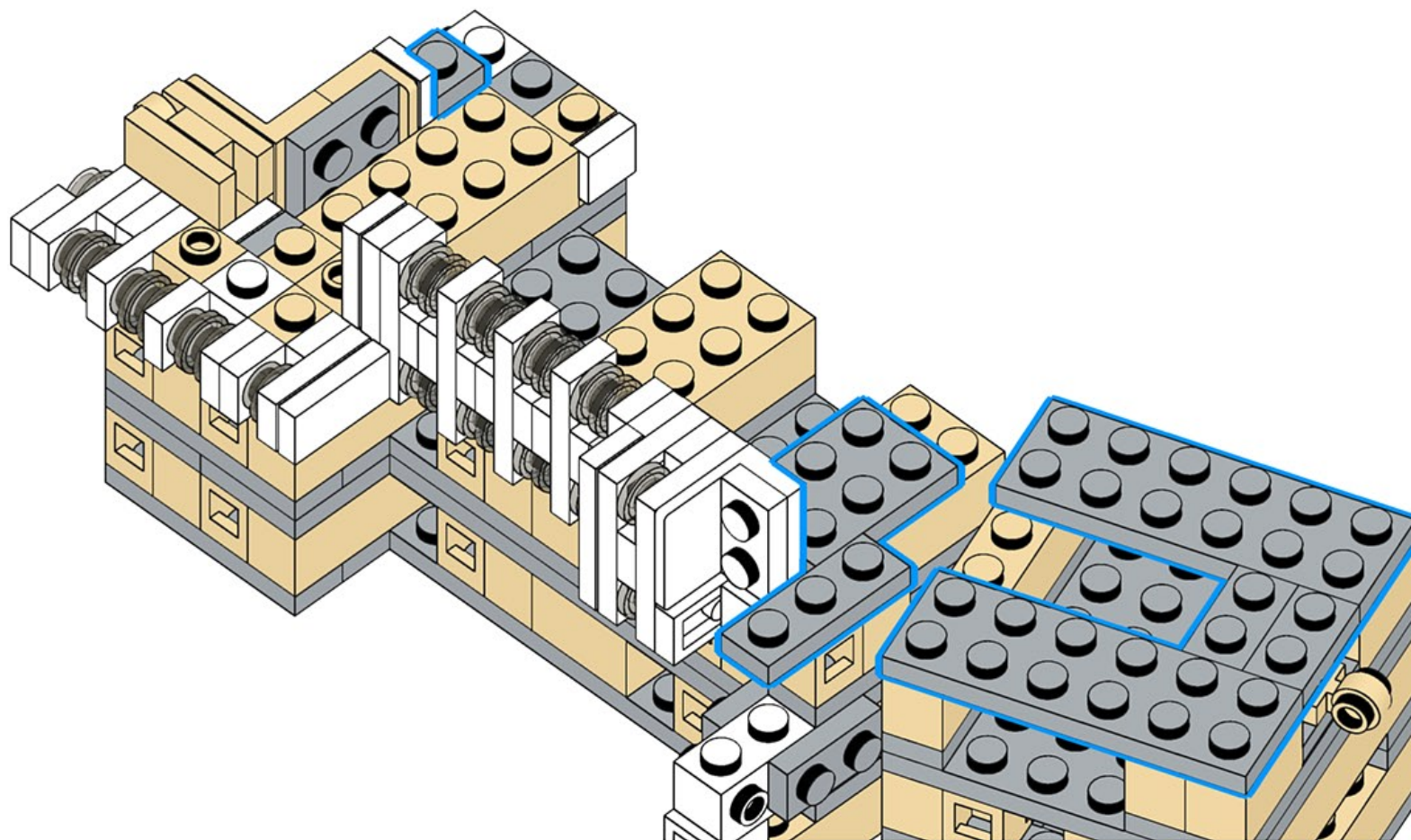
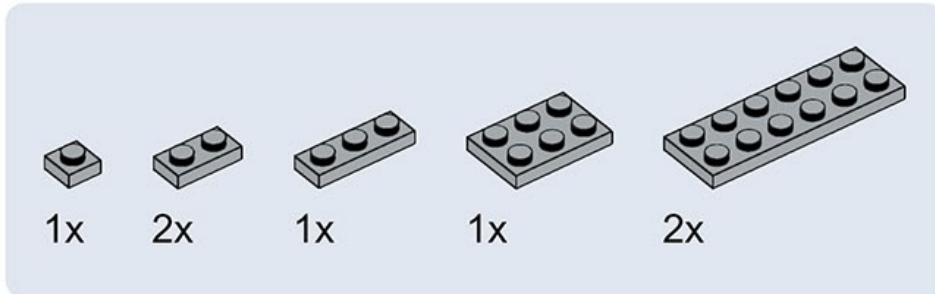
1100



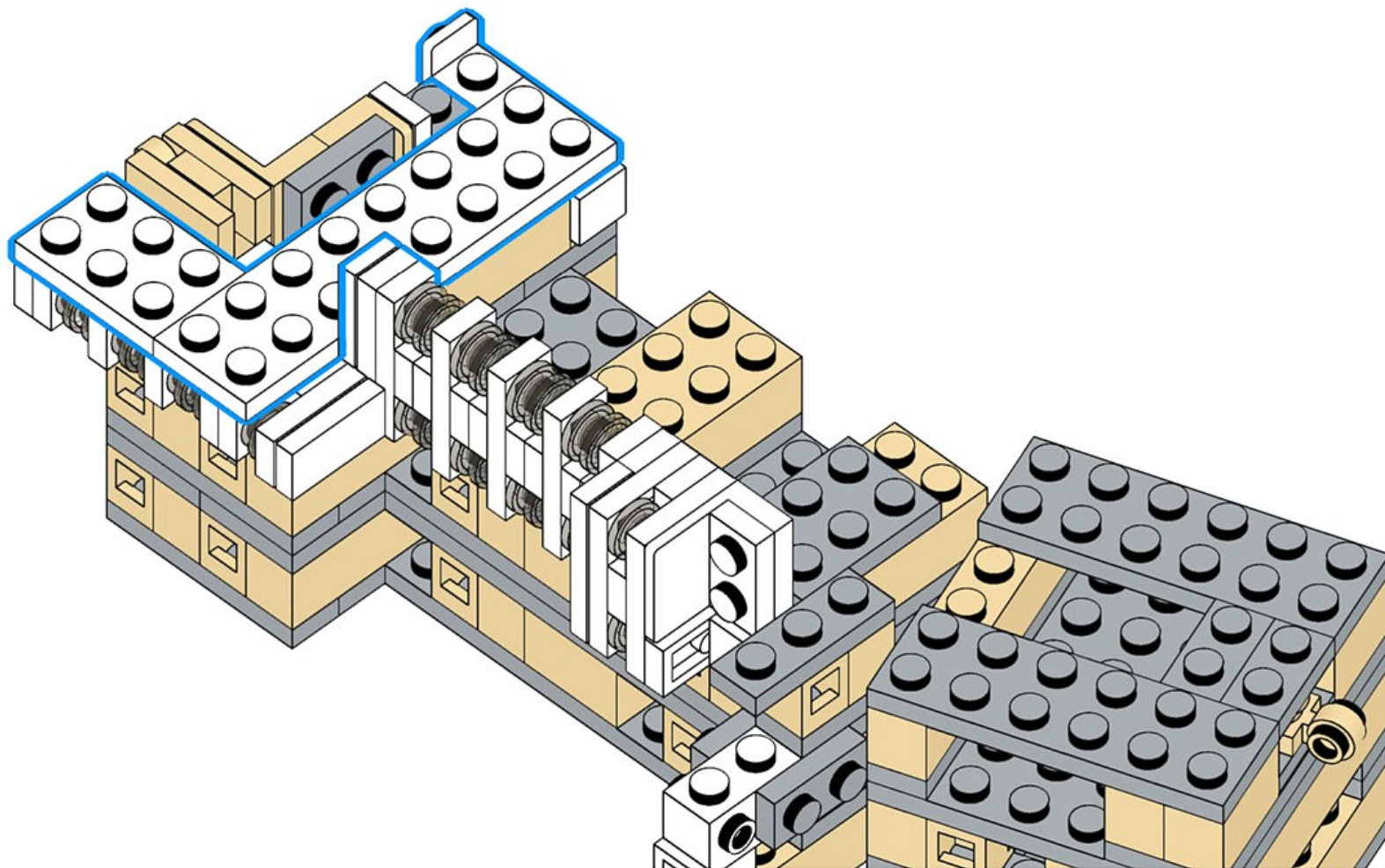
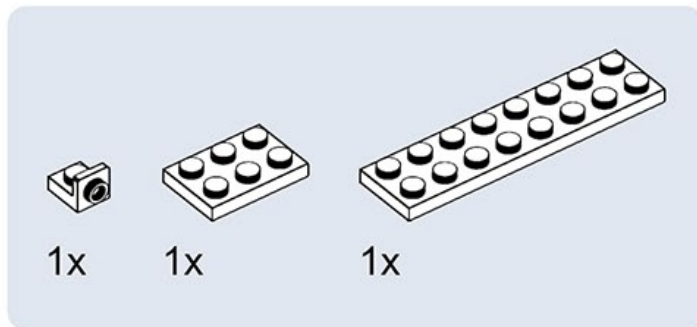
1101



1102



1103



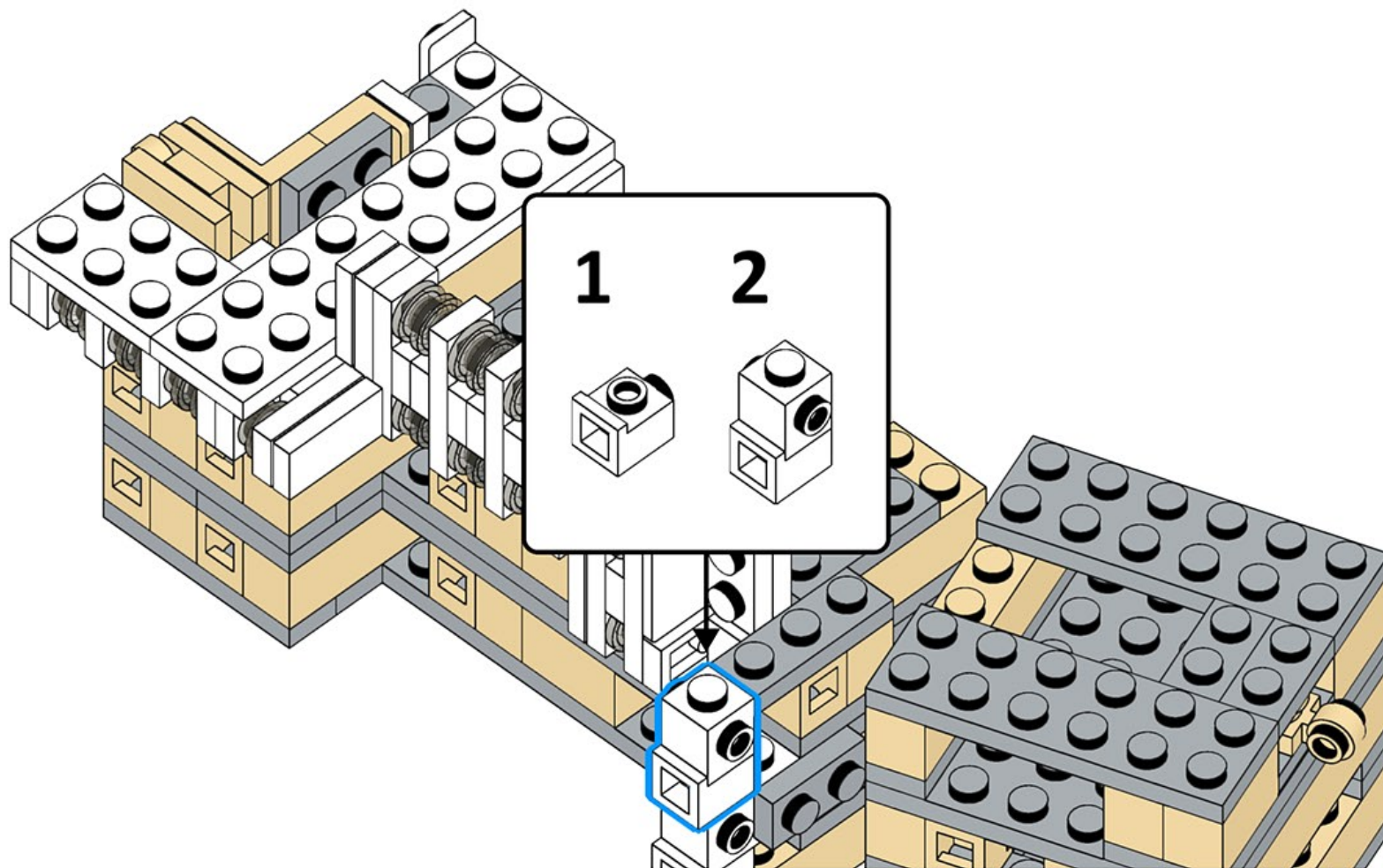
1104



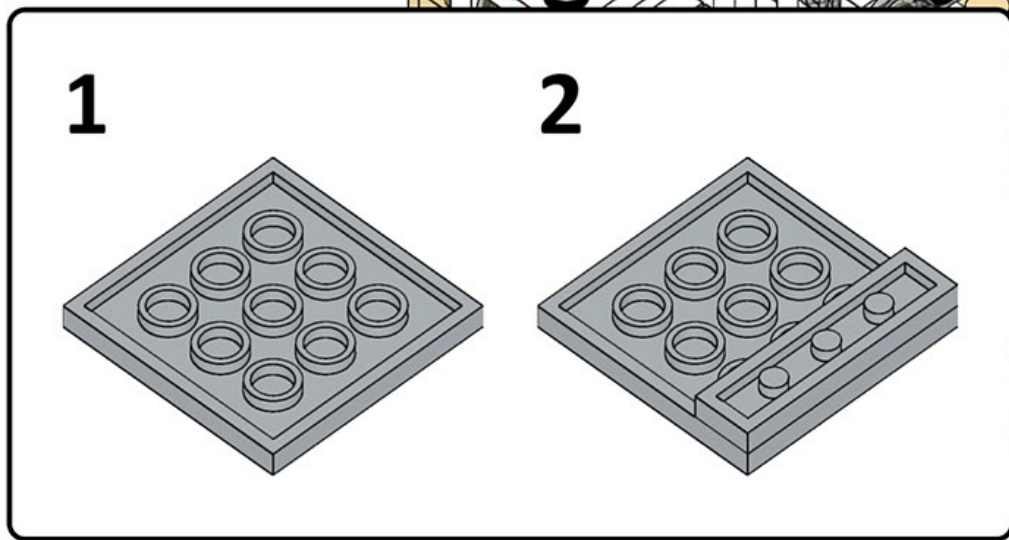
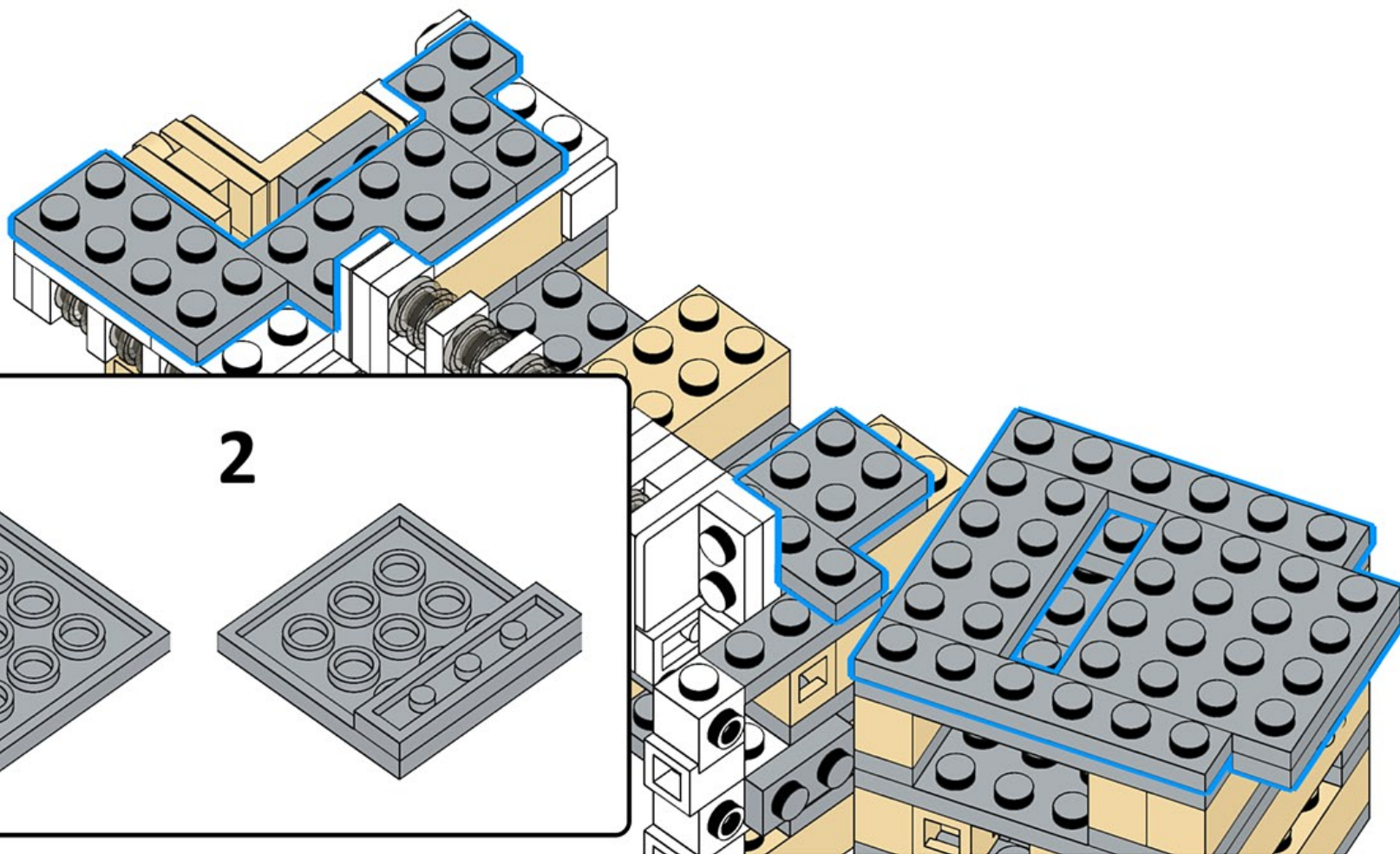
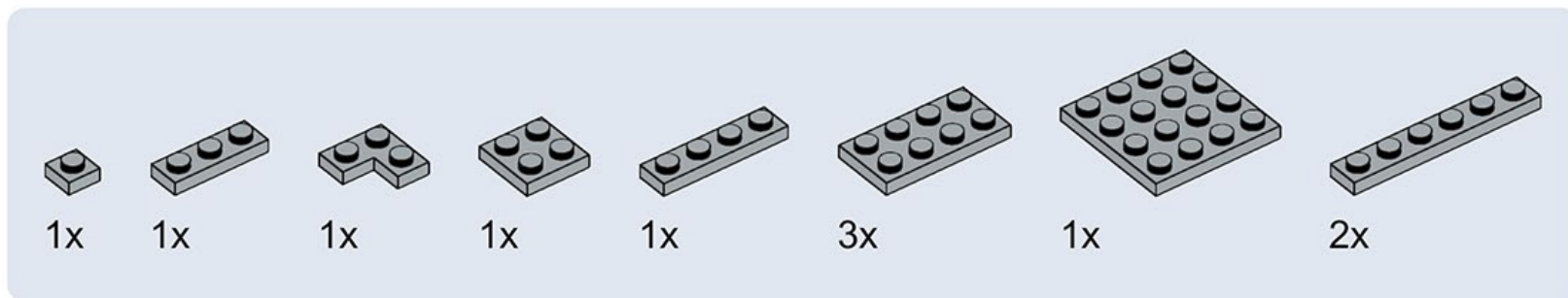
1x



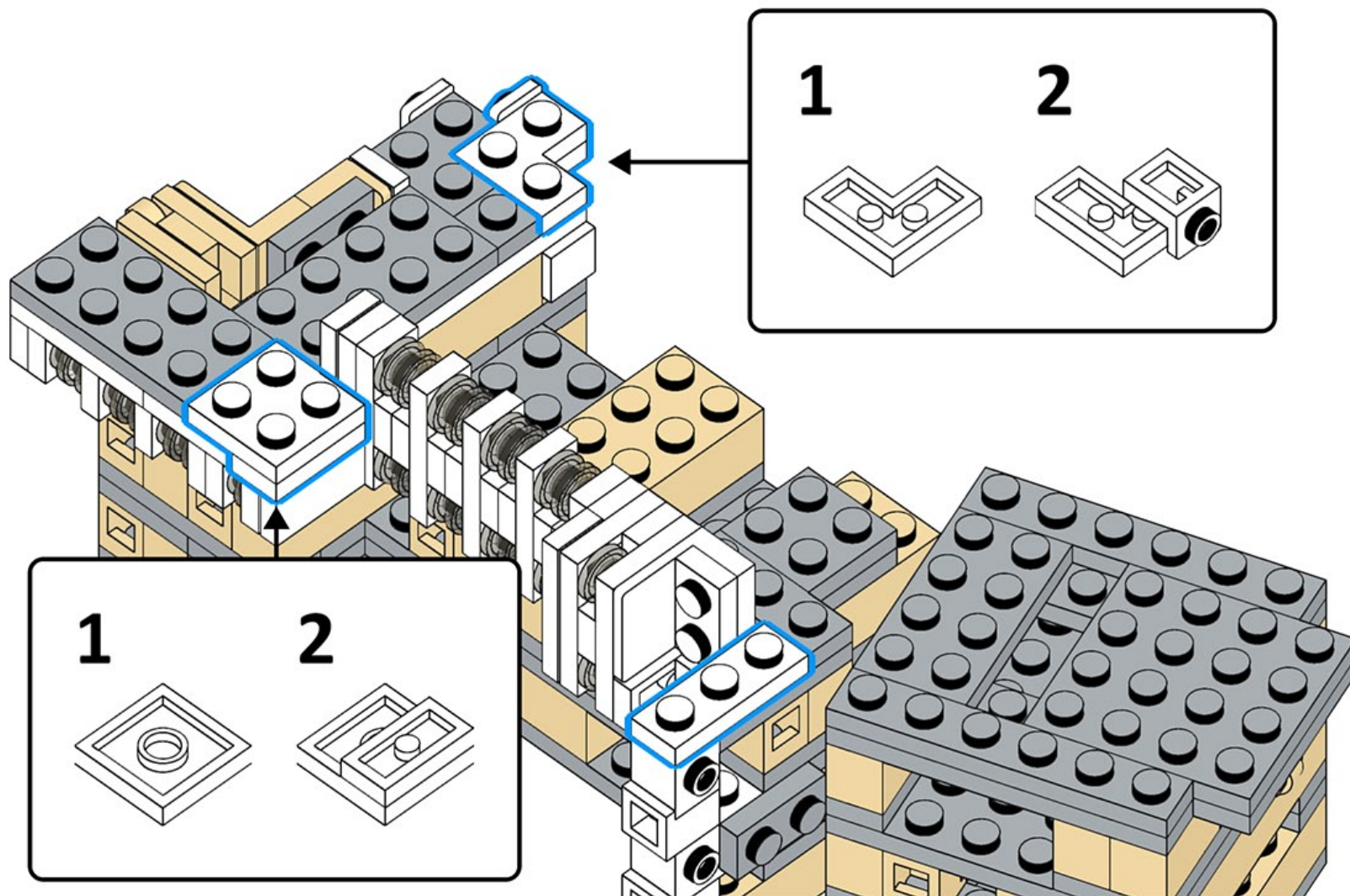
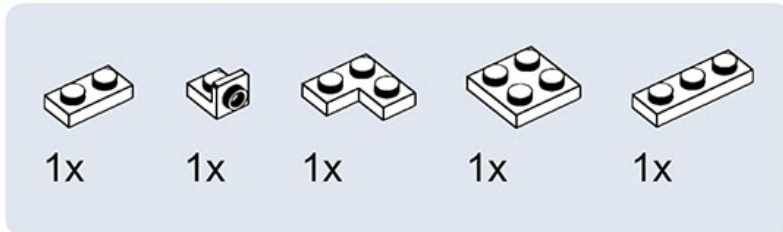
1x



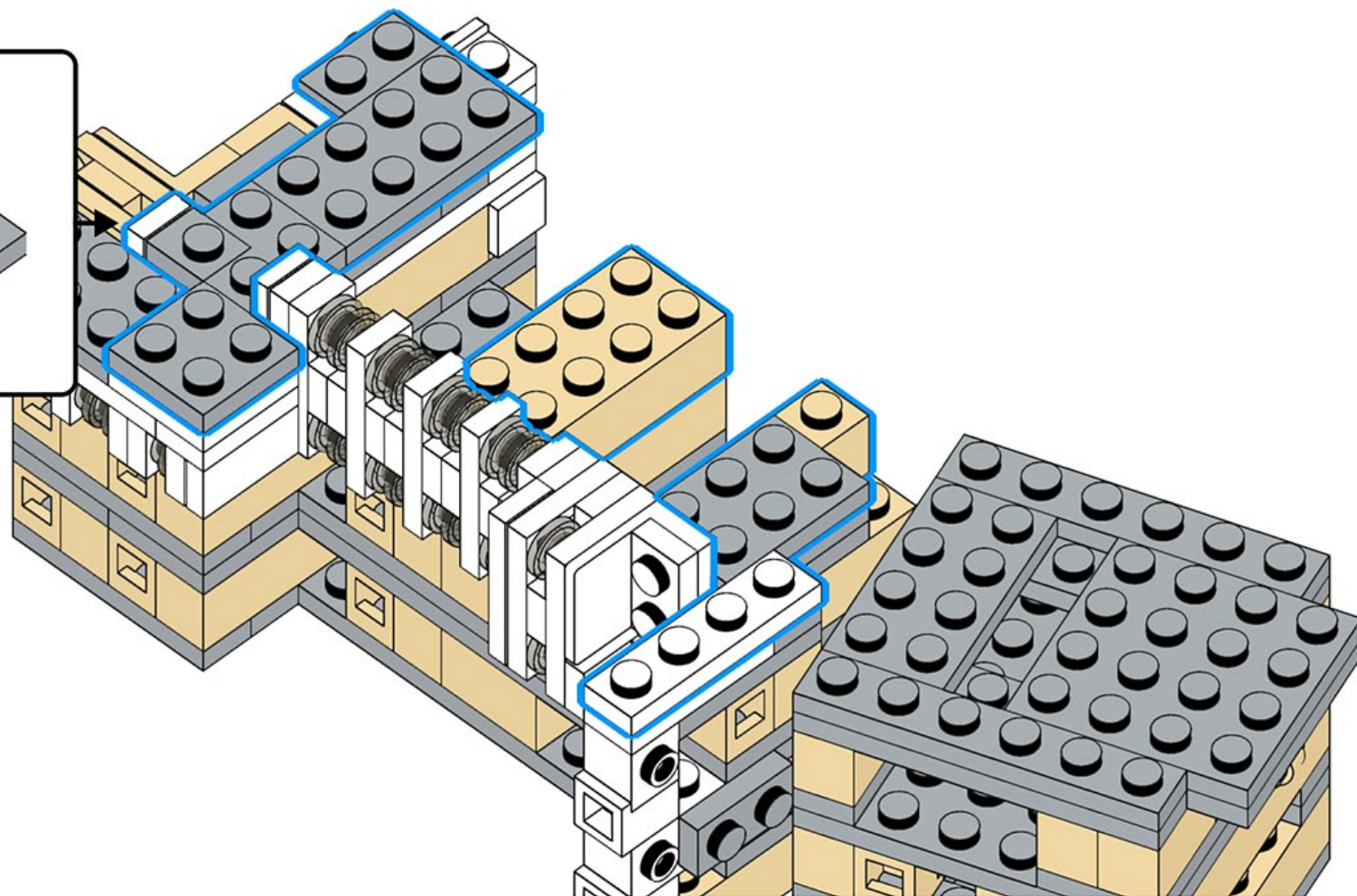
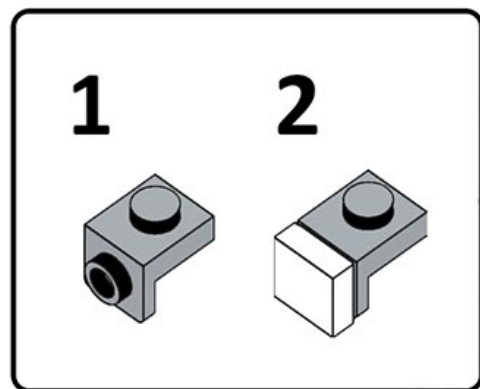
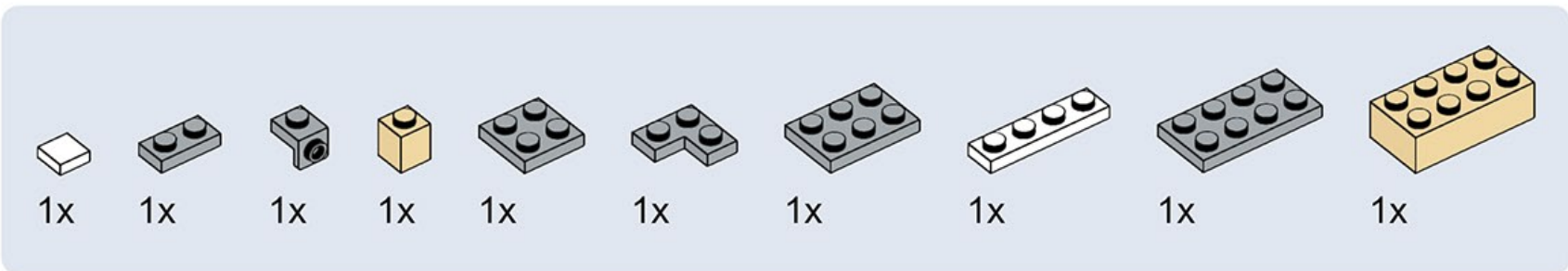
1105



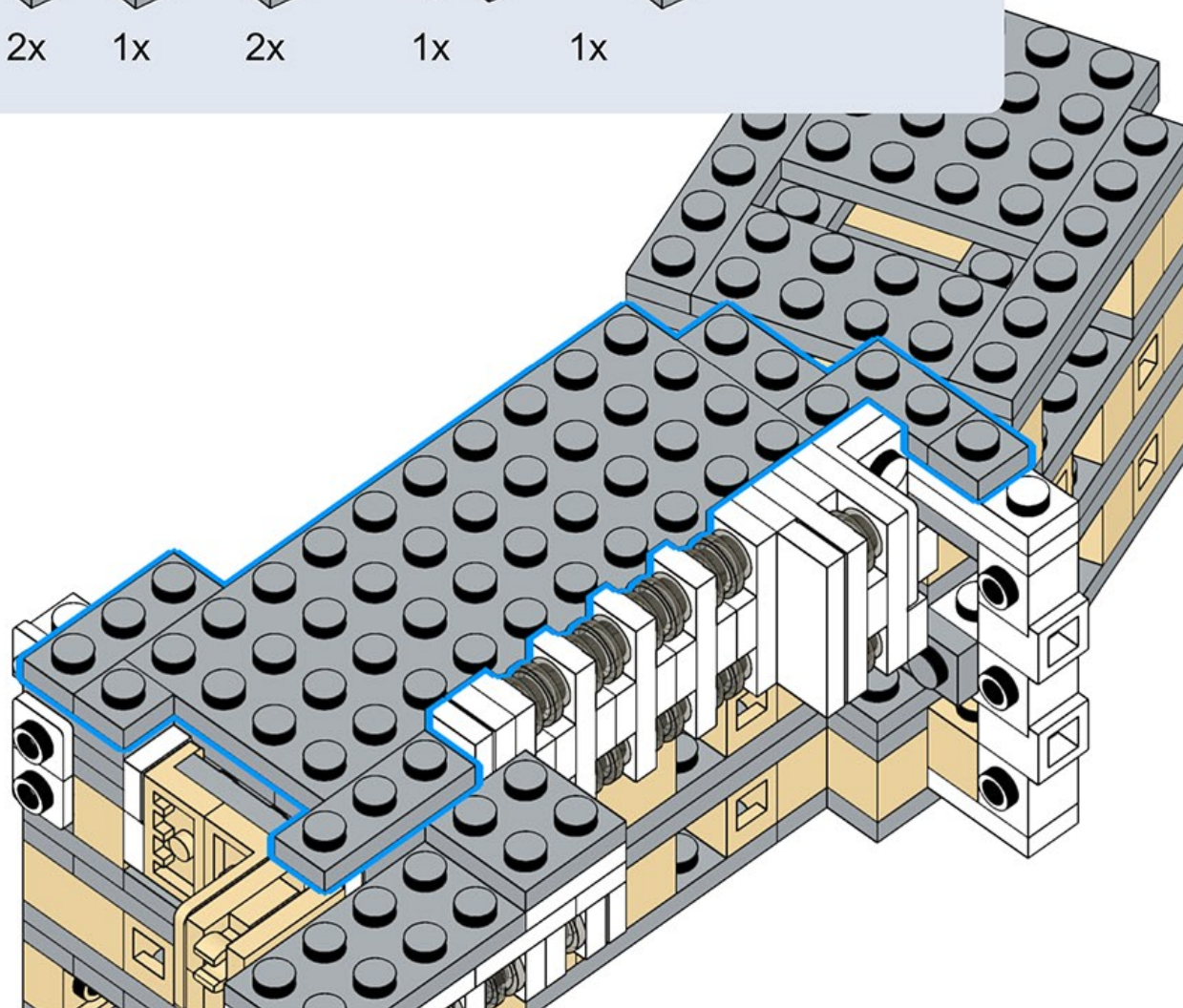
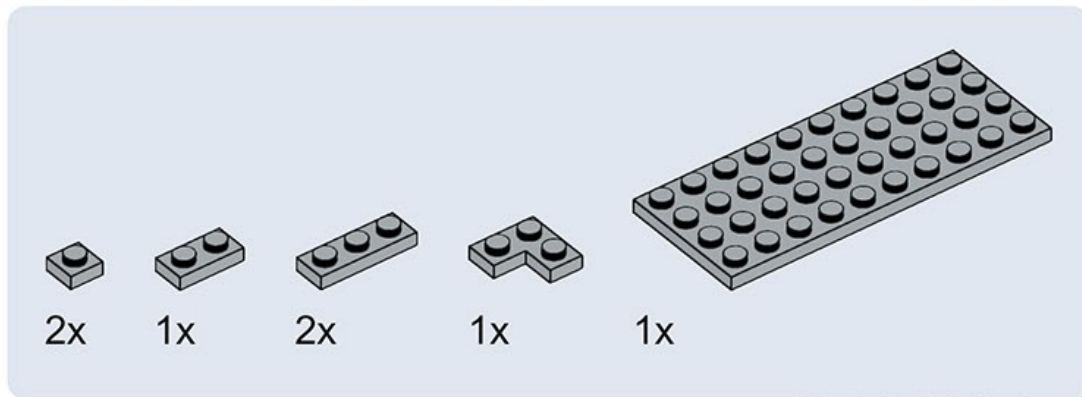
1106



1107



1108



1109



1x



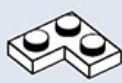
1x



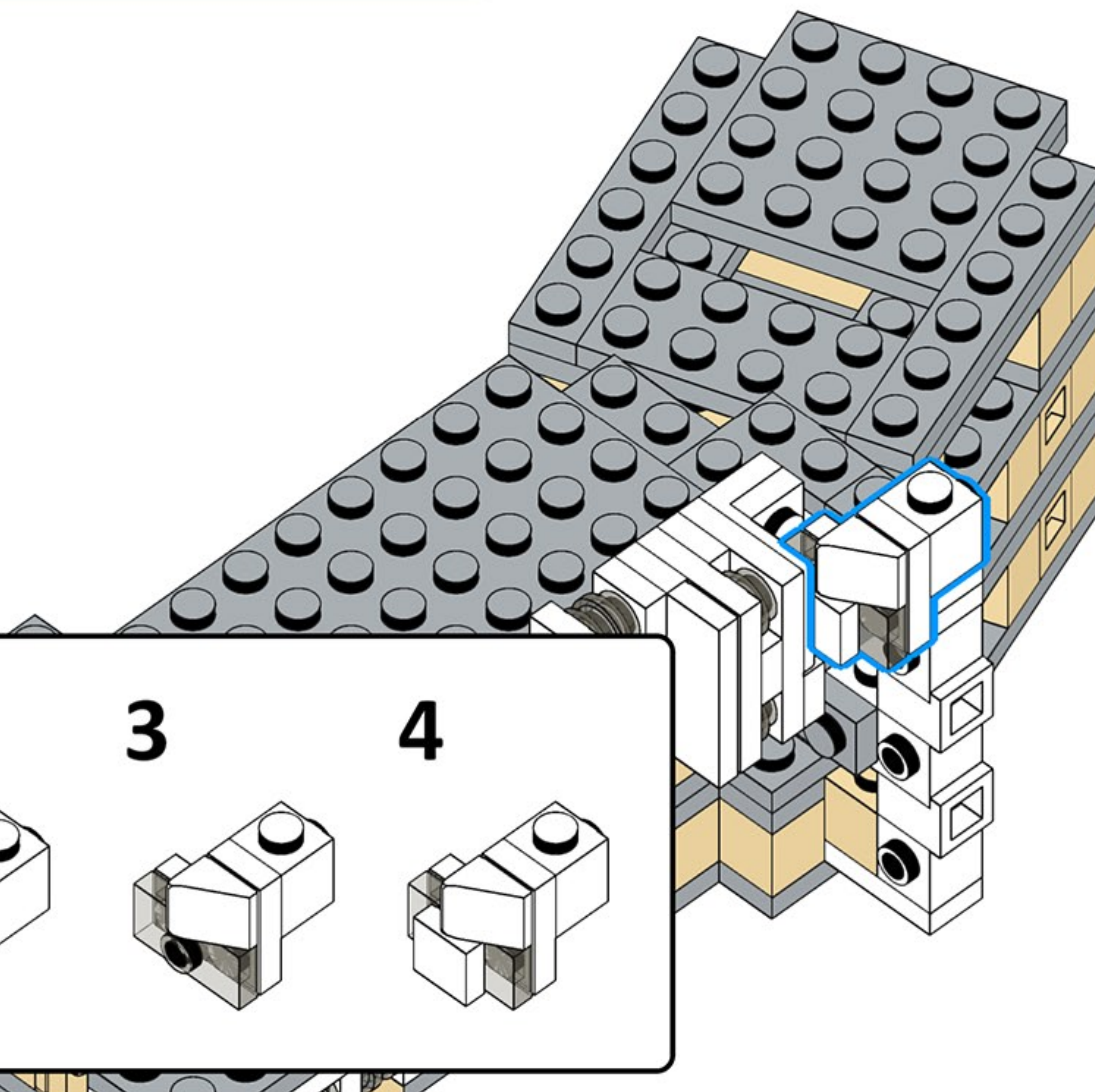
1x



1x



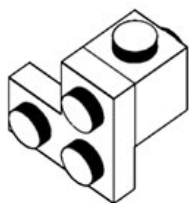
1x



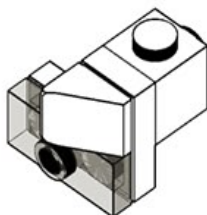
1



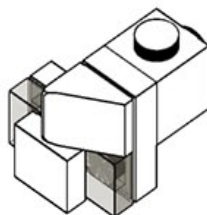
2



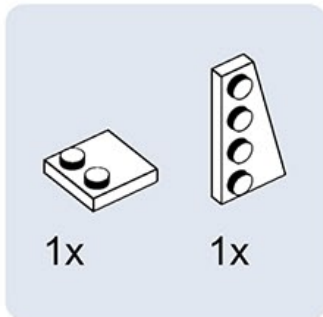
3



4

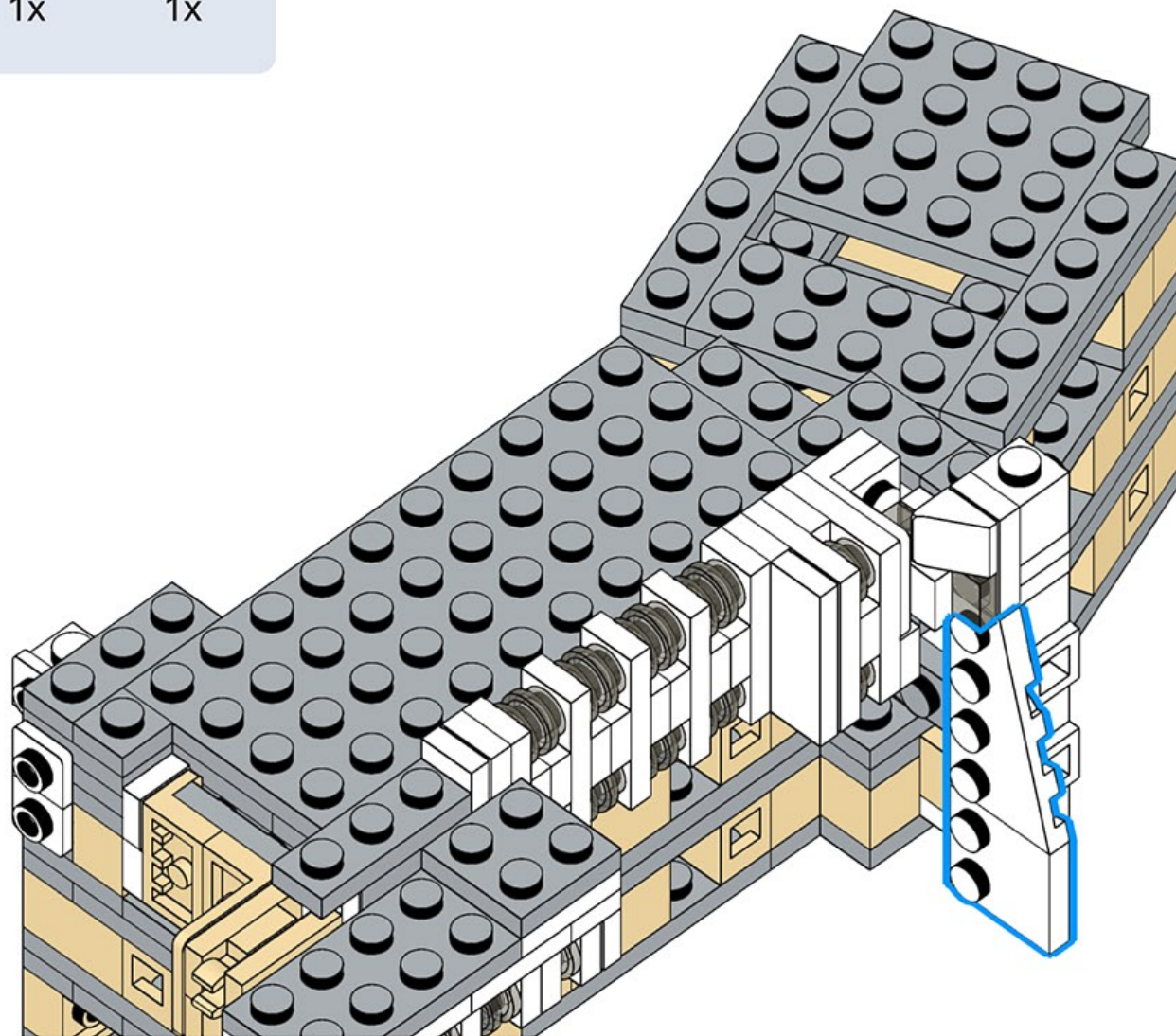


1110








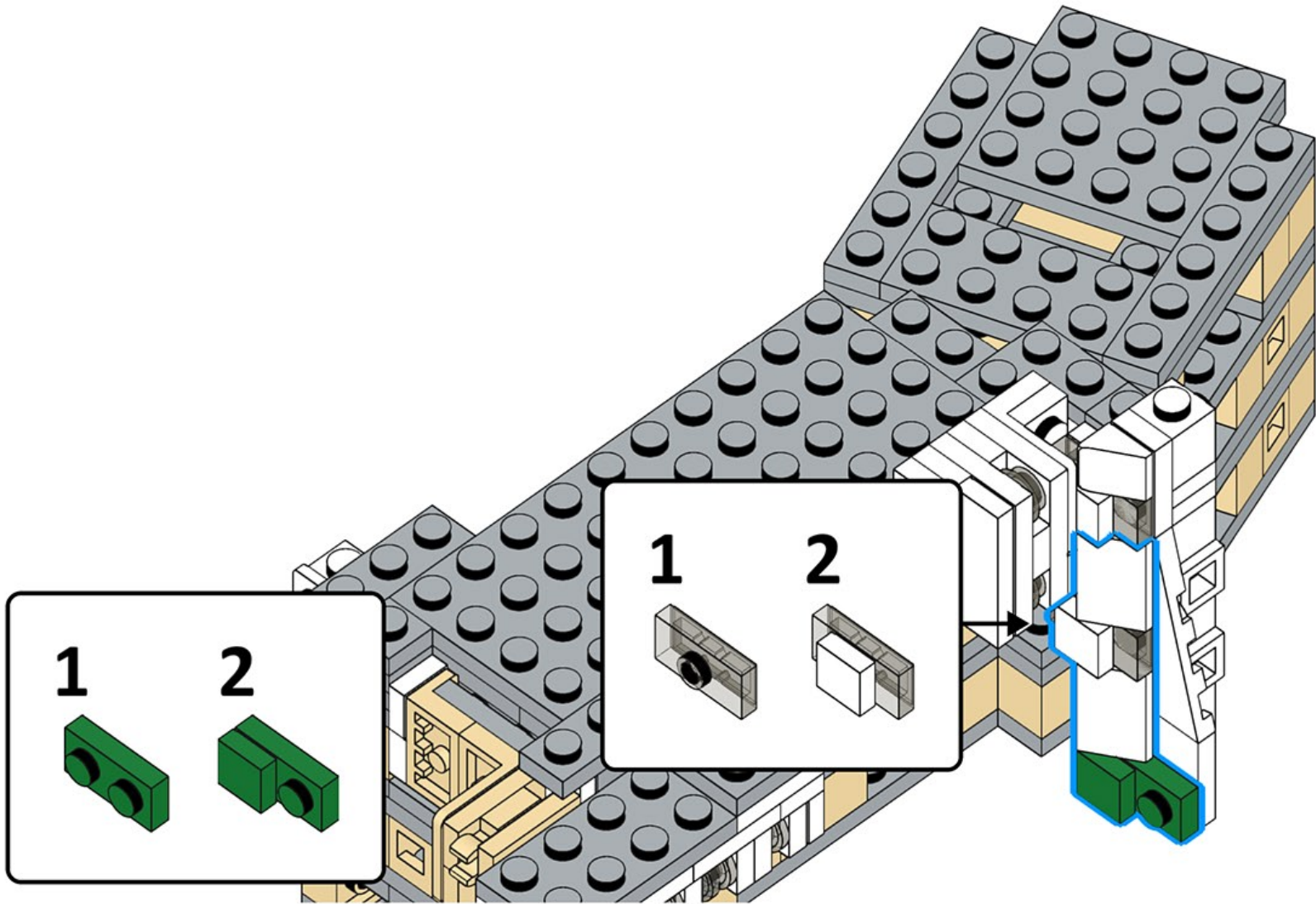
1x

1x

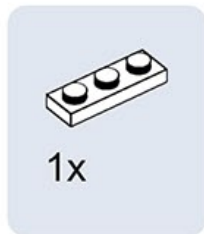


1111

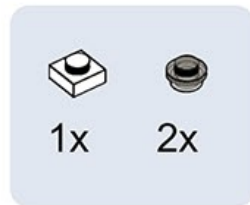
				
1x	1x	1x	1x	2x



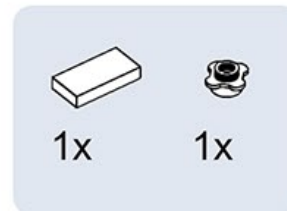
1112



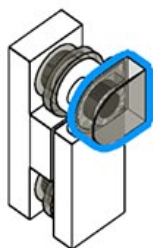
1113



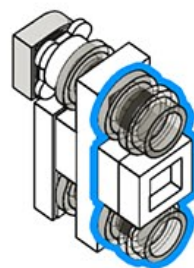
1114



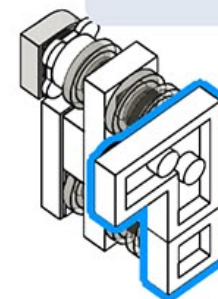
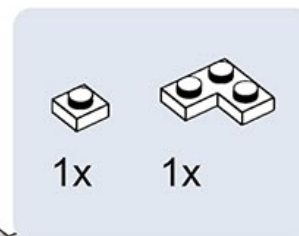
1115



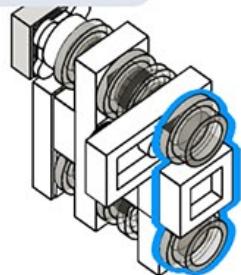
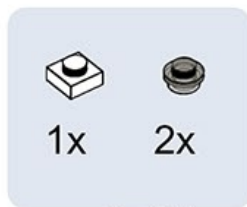
1116



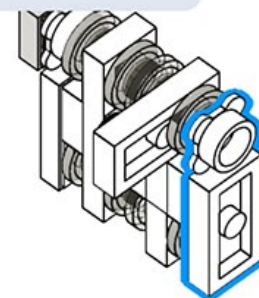
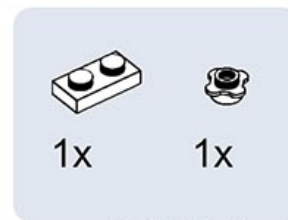
1117



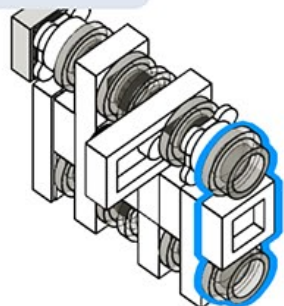
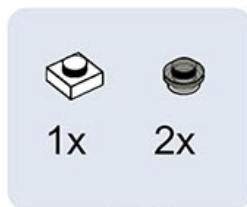
1118



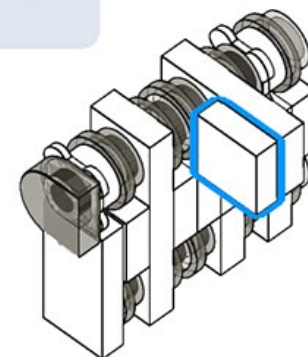
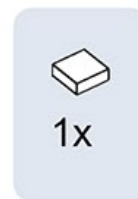
1119



1120



1121



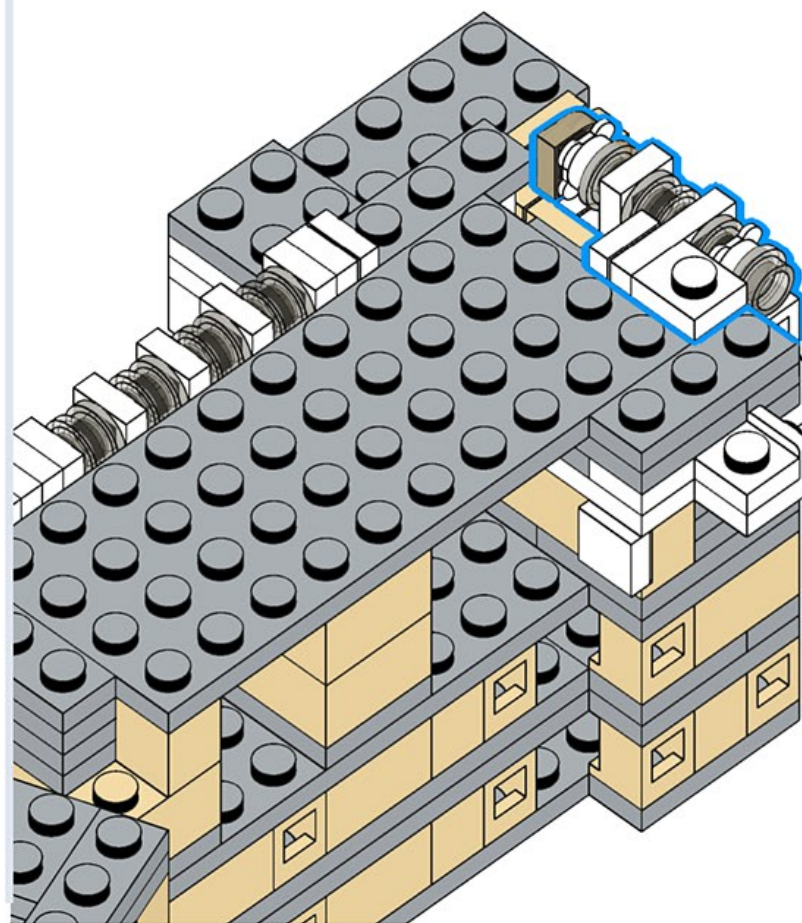
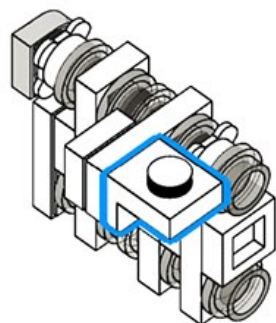
1122



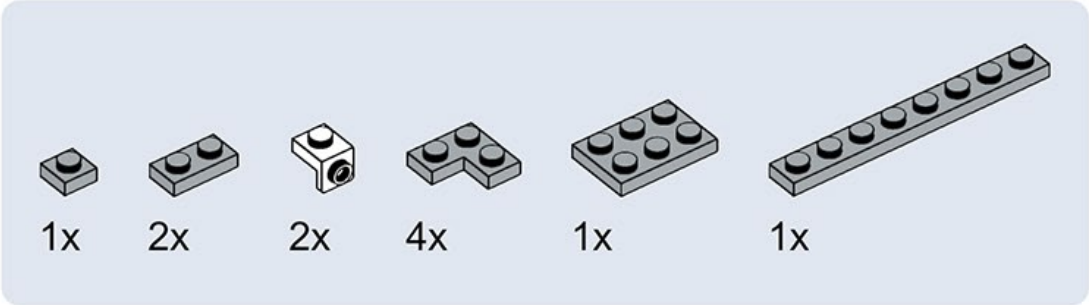
1x



1123

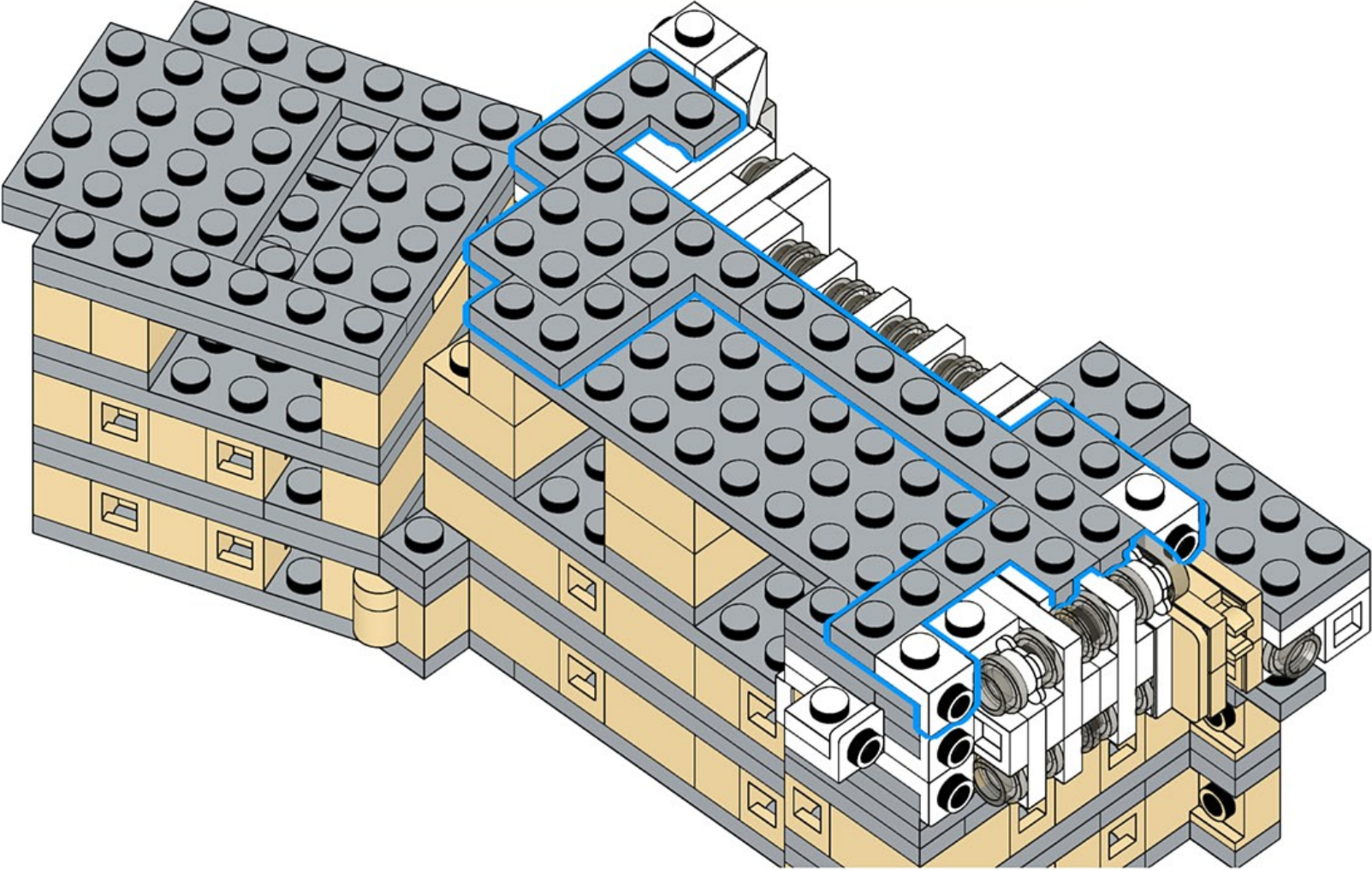


1124

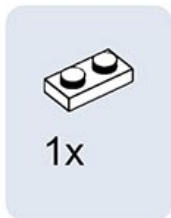


1x 2x 2x 4x 1x 1x

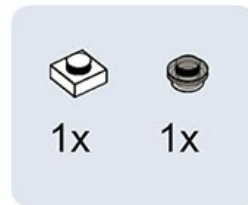
This block contains a list of six LEGO parts with their respective quantities: 1x 1-hole grey Technic brick, 2x 2-hole grey Technic brick, 2x white Technic bush with a hole, 4x grey Technic L-shaped Technic brick, 1x 4-hole grey Technic brick, and 1x 10-hole grey Technic Technic beam.



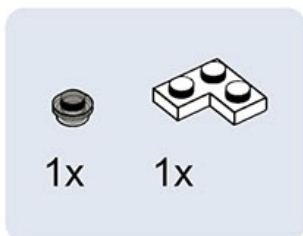
1125



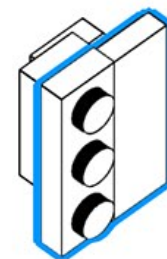
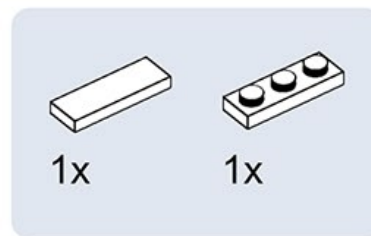
1126



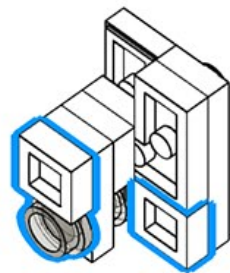
1127



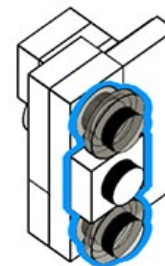
1128



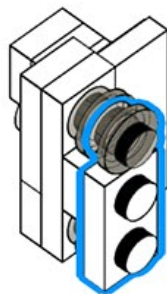
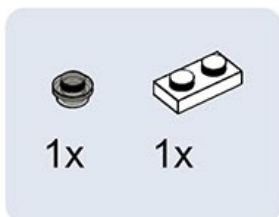
1129



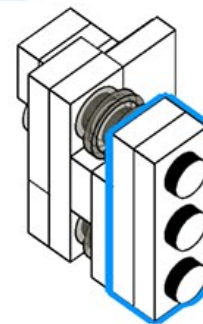
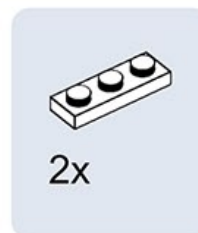
1130



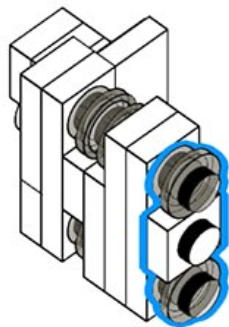
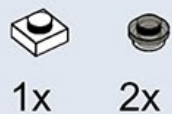
1131



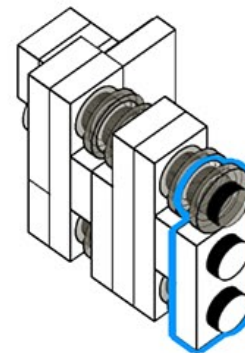
1132



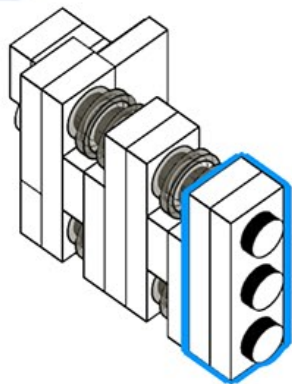
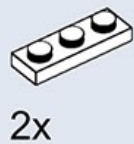
1133



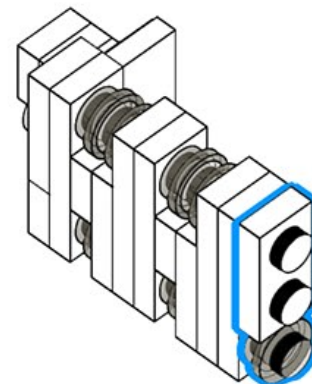
1134



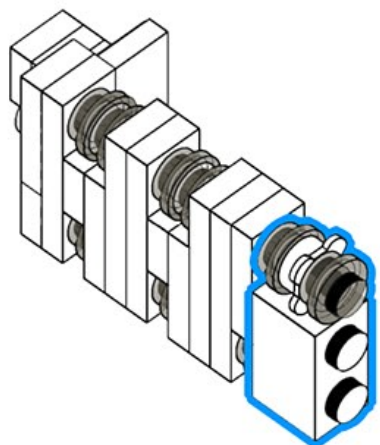
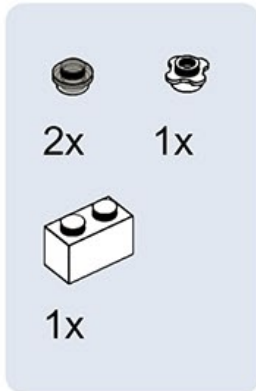
1135



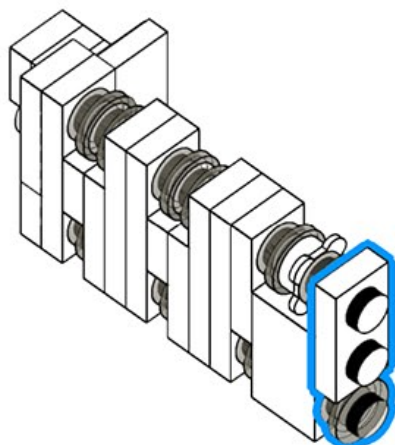
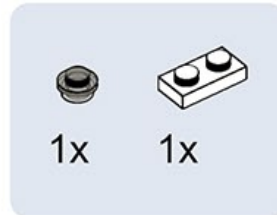
1136



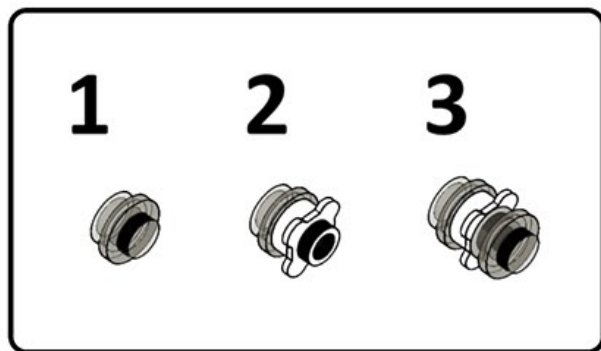
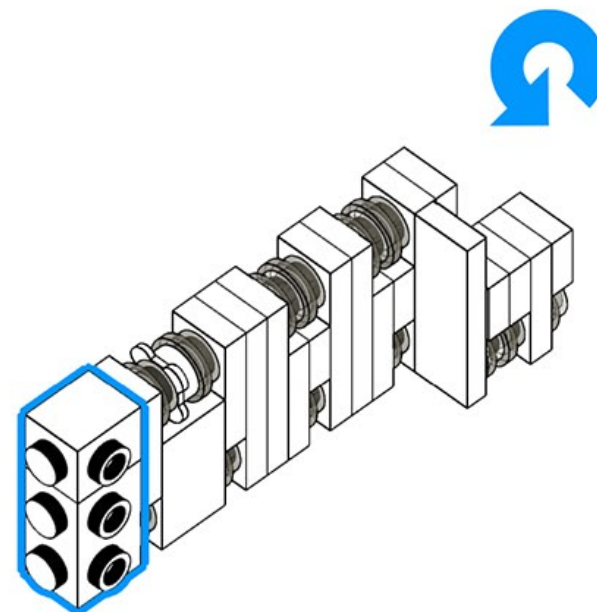
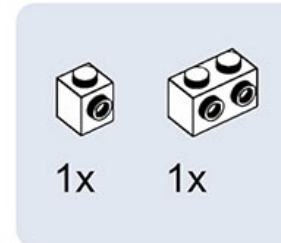
1137



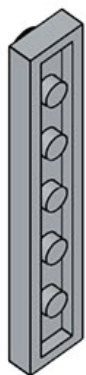
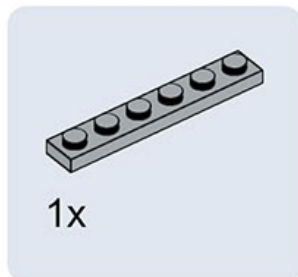
1138



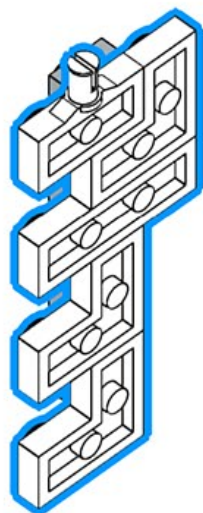
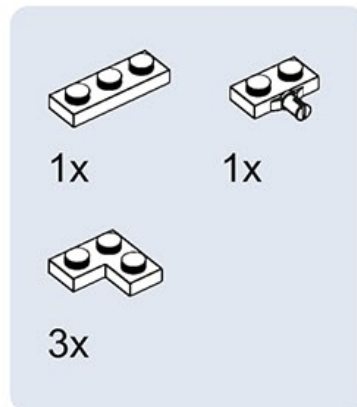
1139



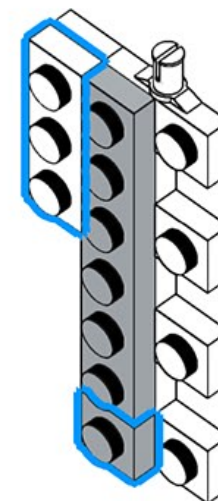
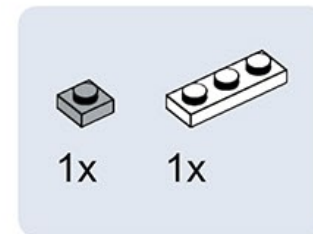
1140



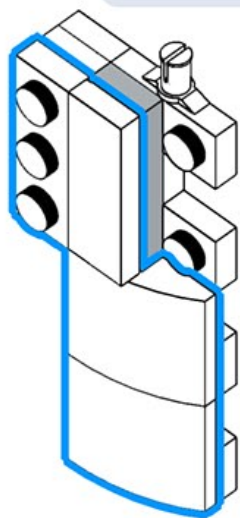
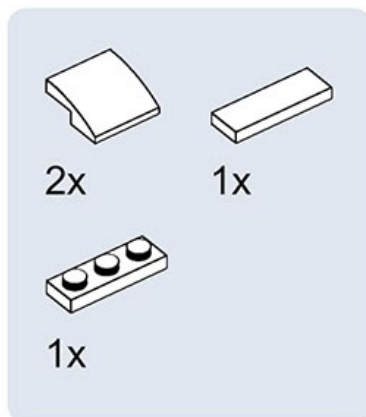
1141



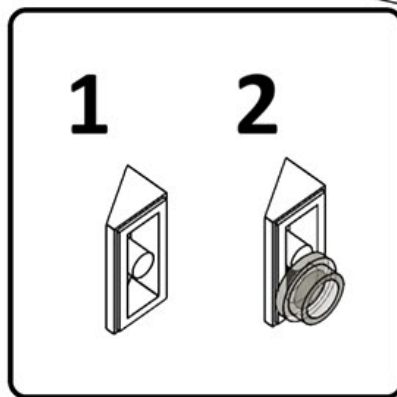
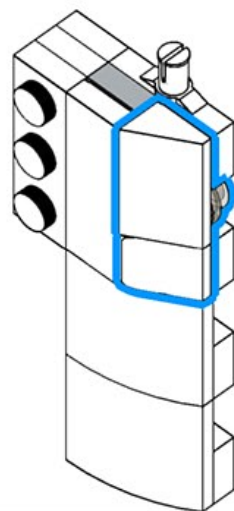
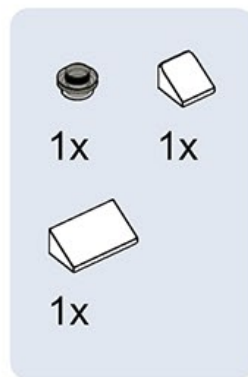
1142



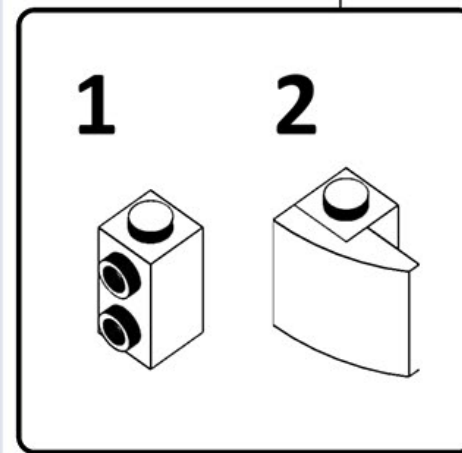
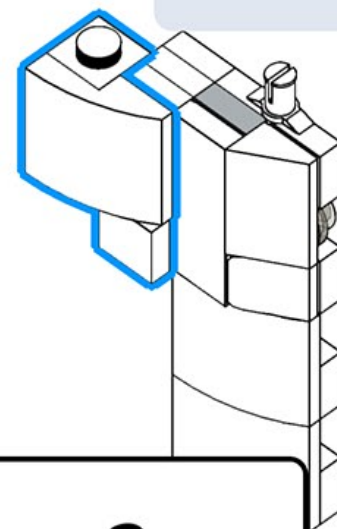
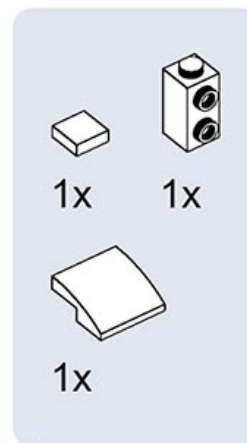
1143



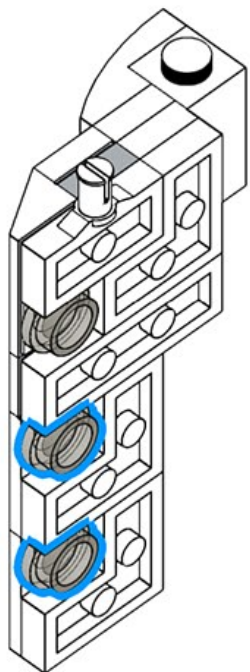
1144



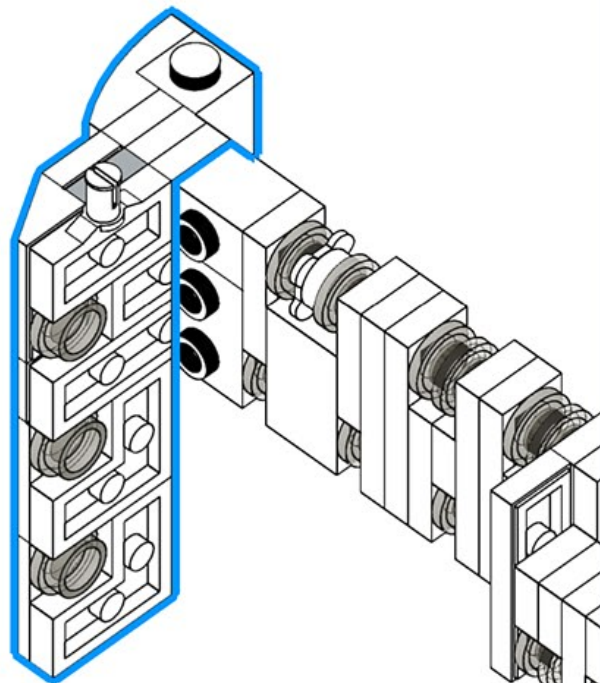
1145



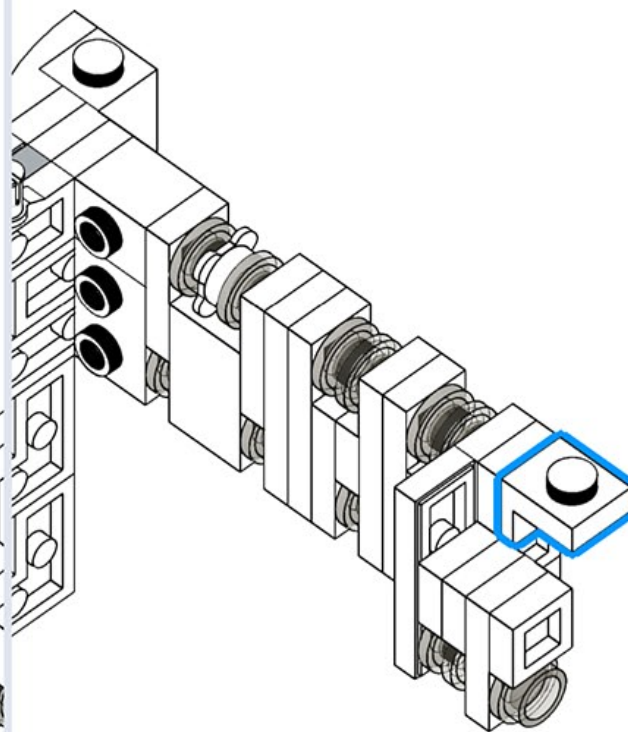
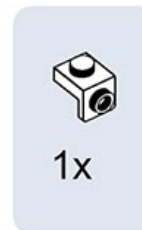
1146



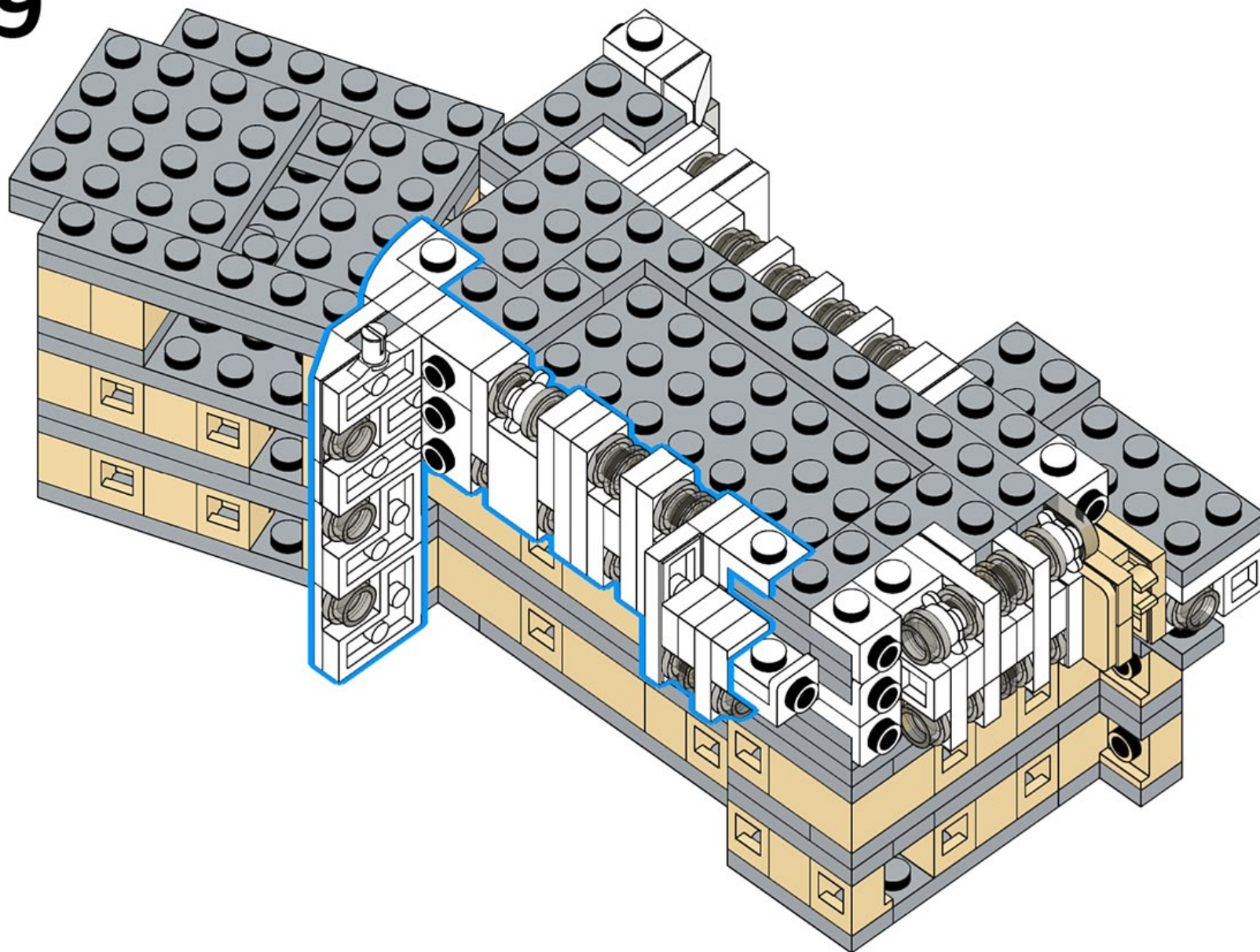
1147



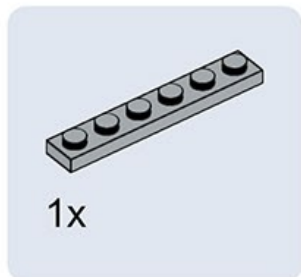
1148



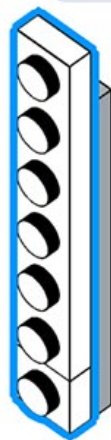
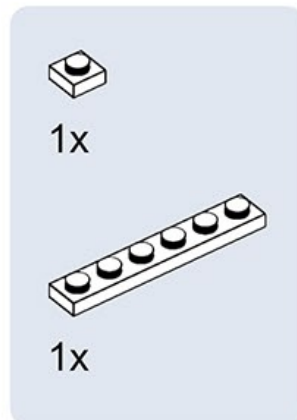
1149



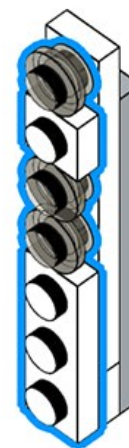
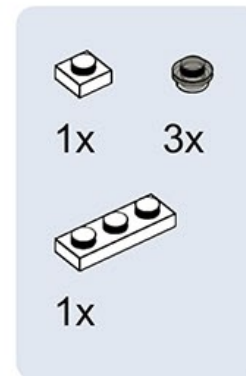
1150



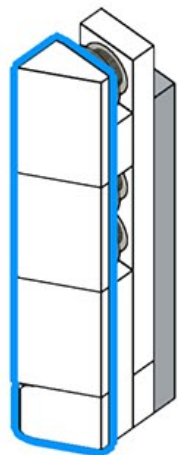
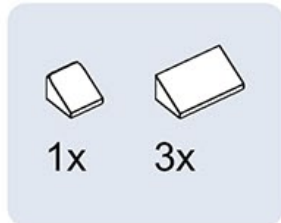
1151



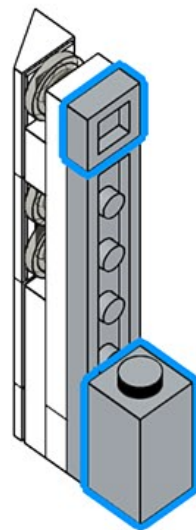
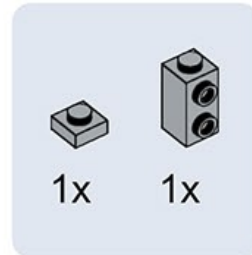
1152



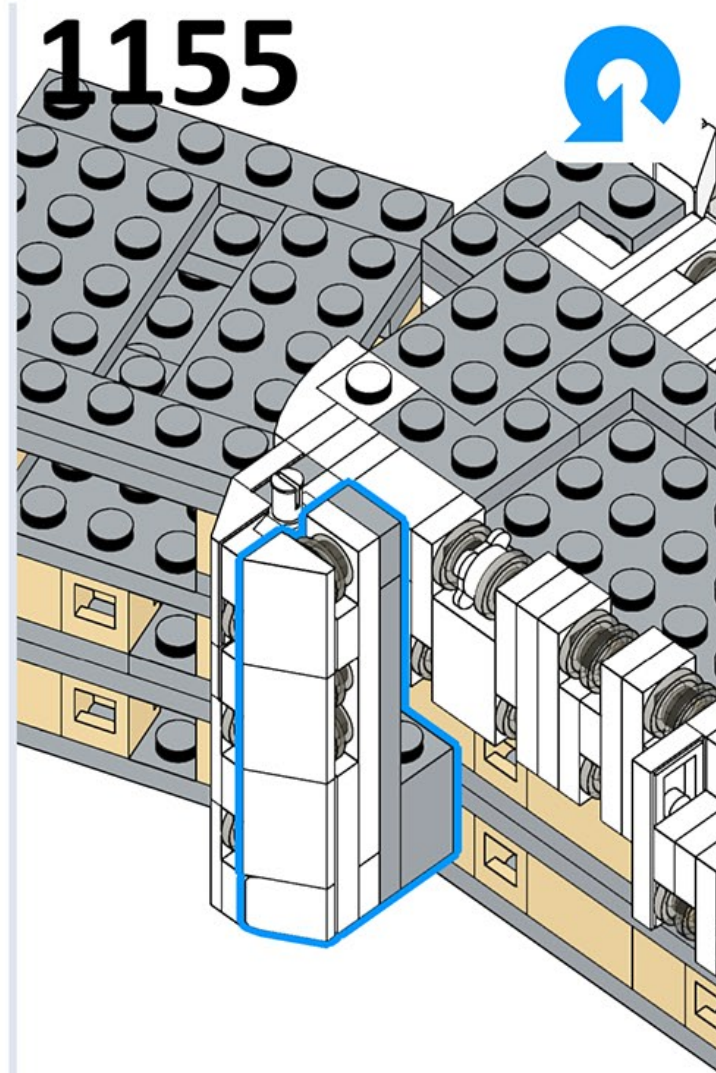
1153

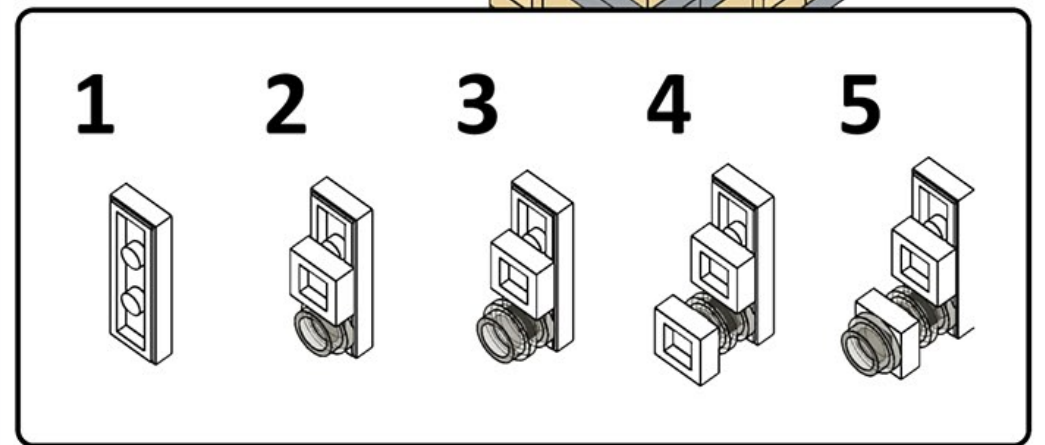
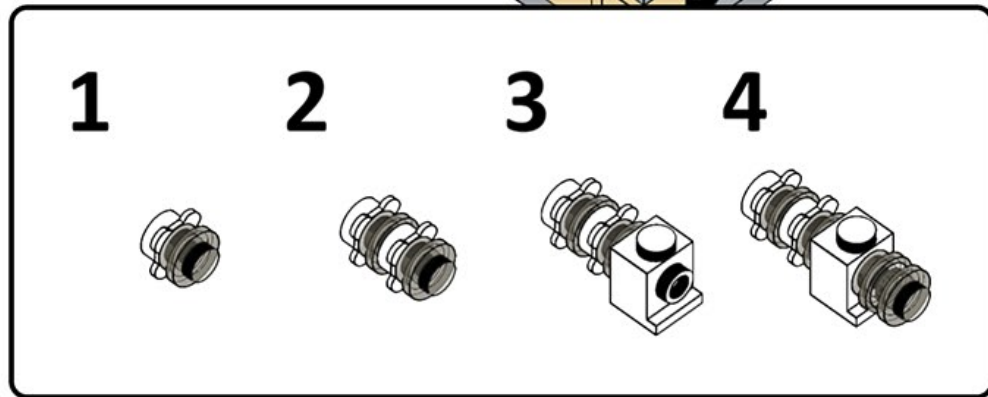
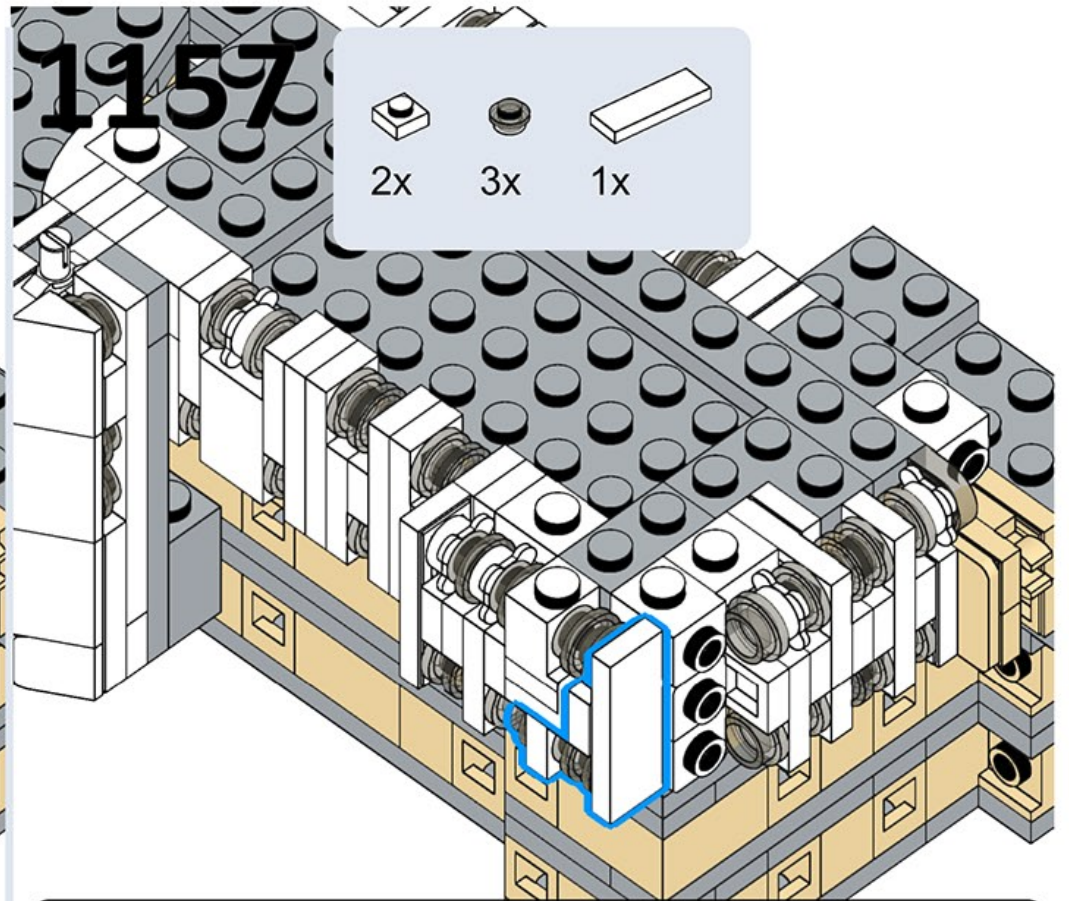
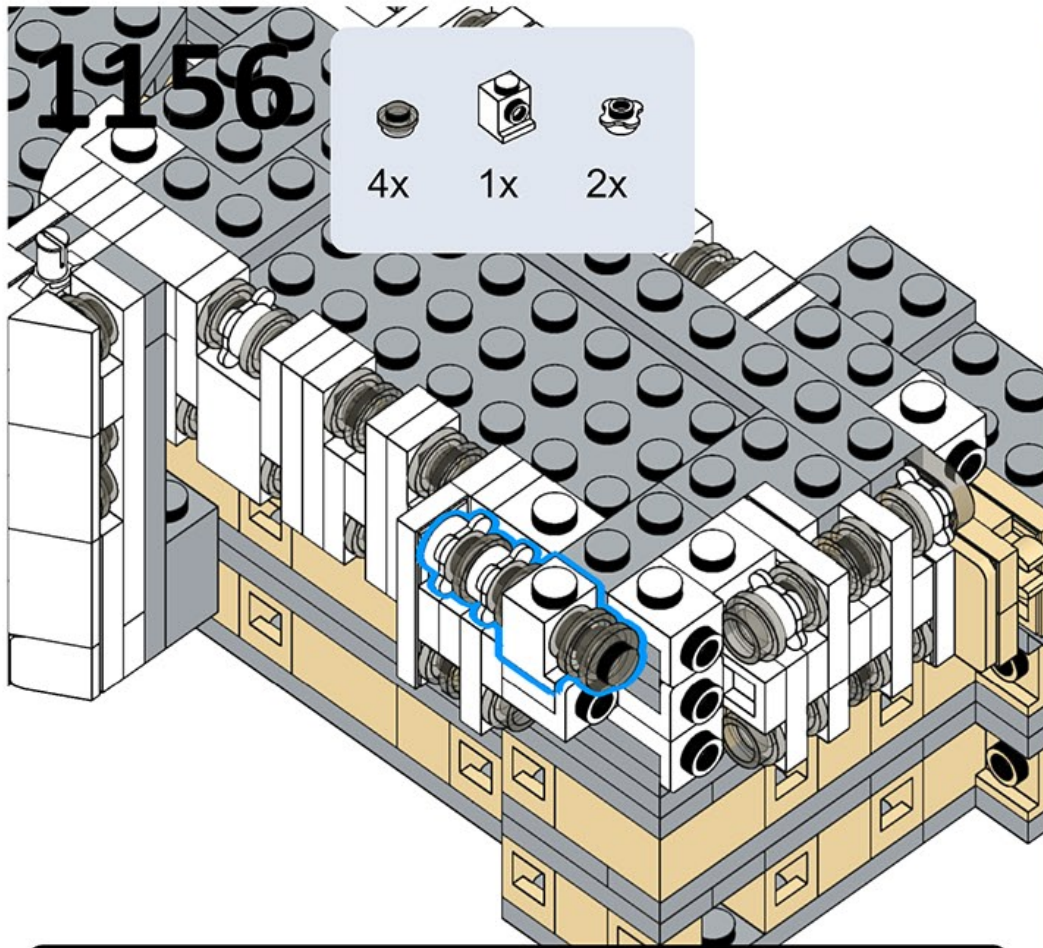


1154



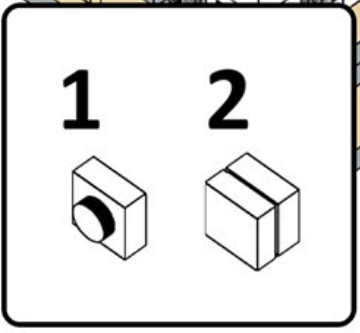
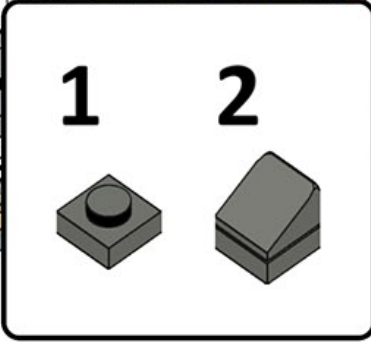
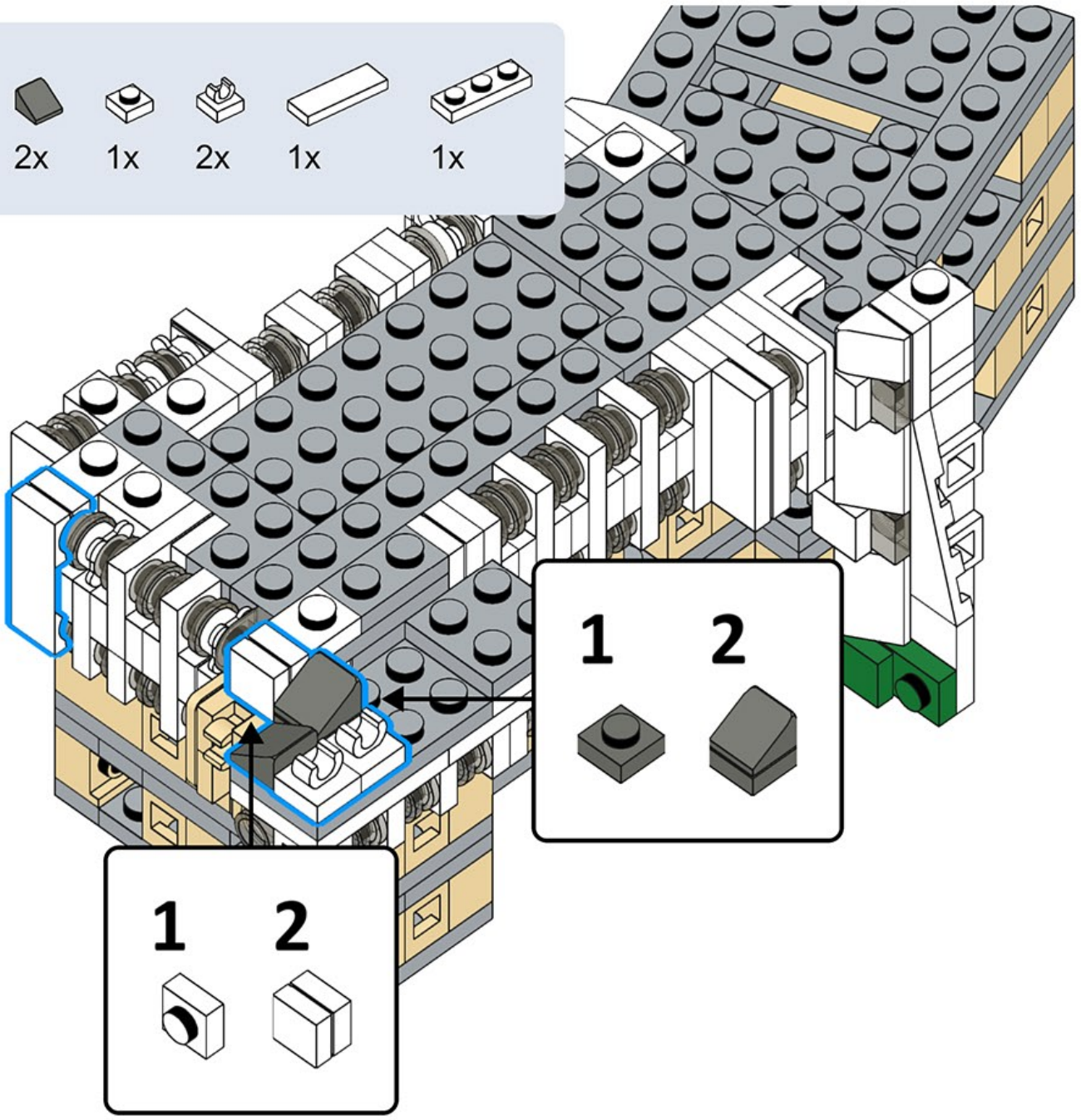
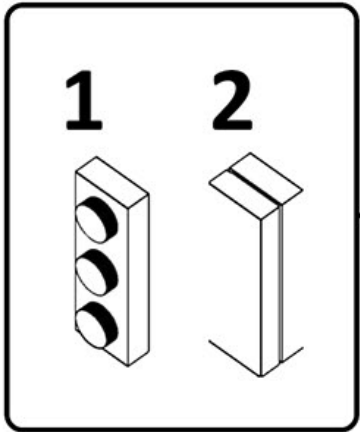
1155






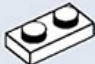



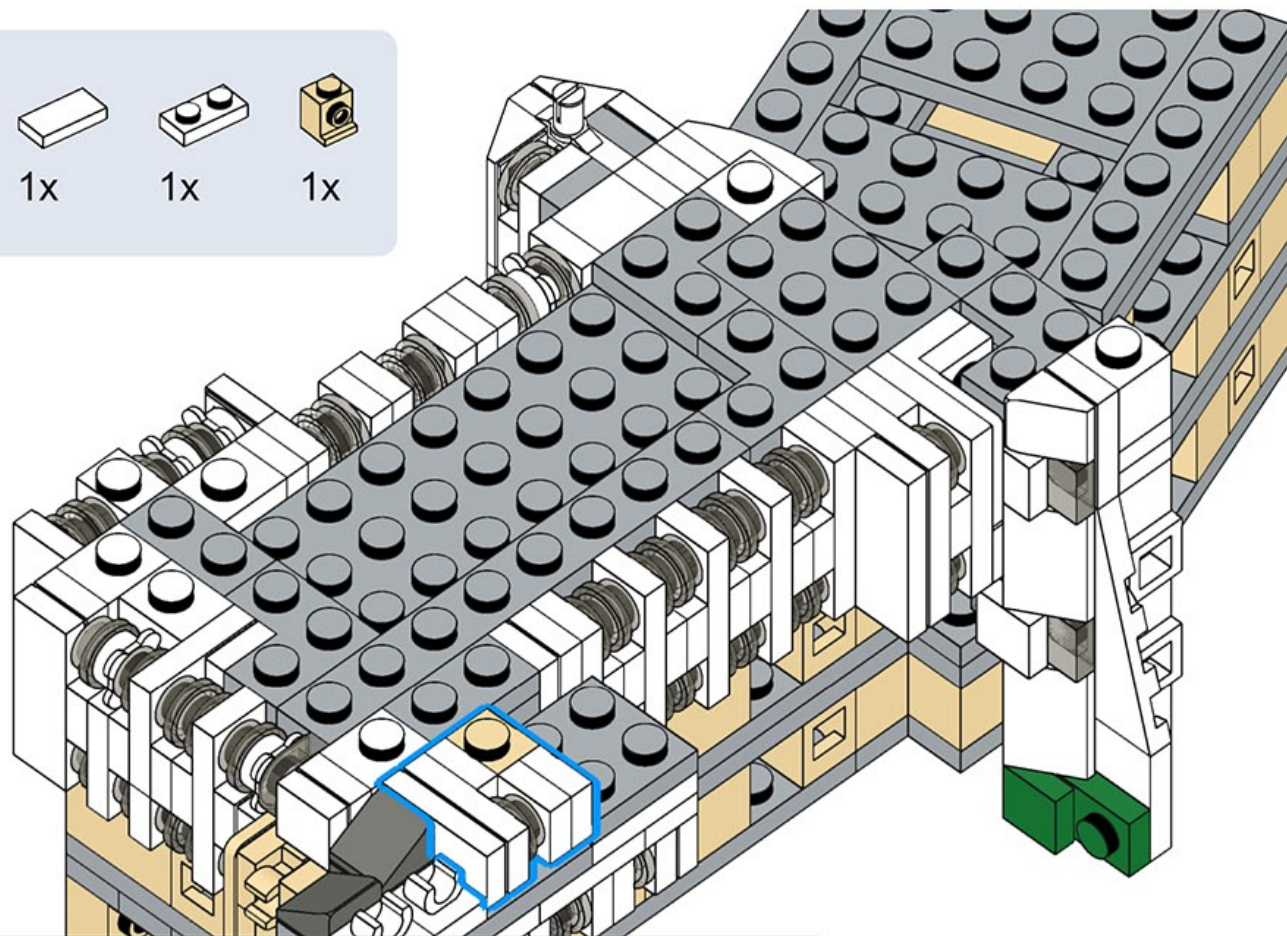
1158

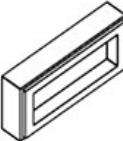
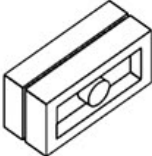
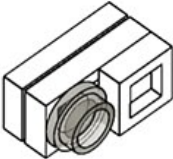
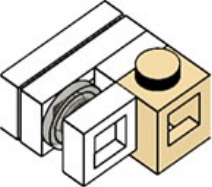
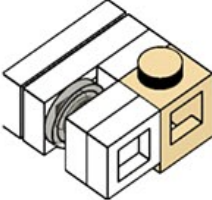
- 1x
- 1x
- 2x
- 1x
- 2x
- 1x
- 1x



1159

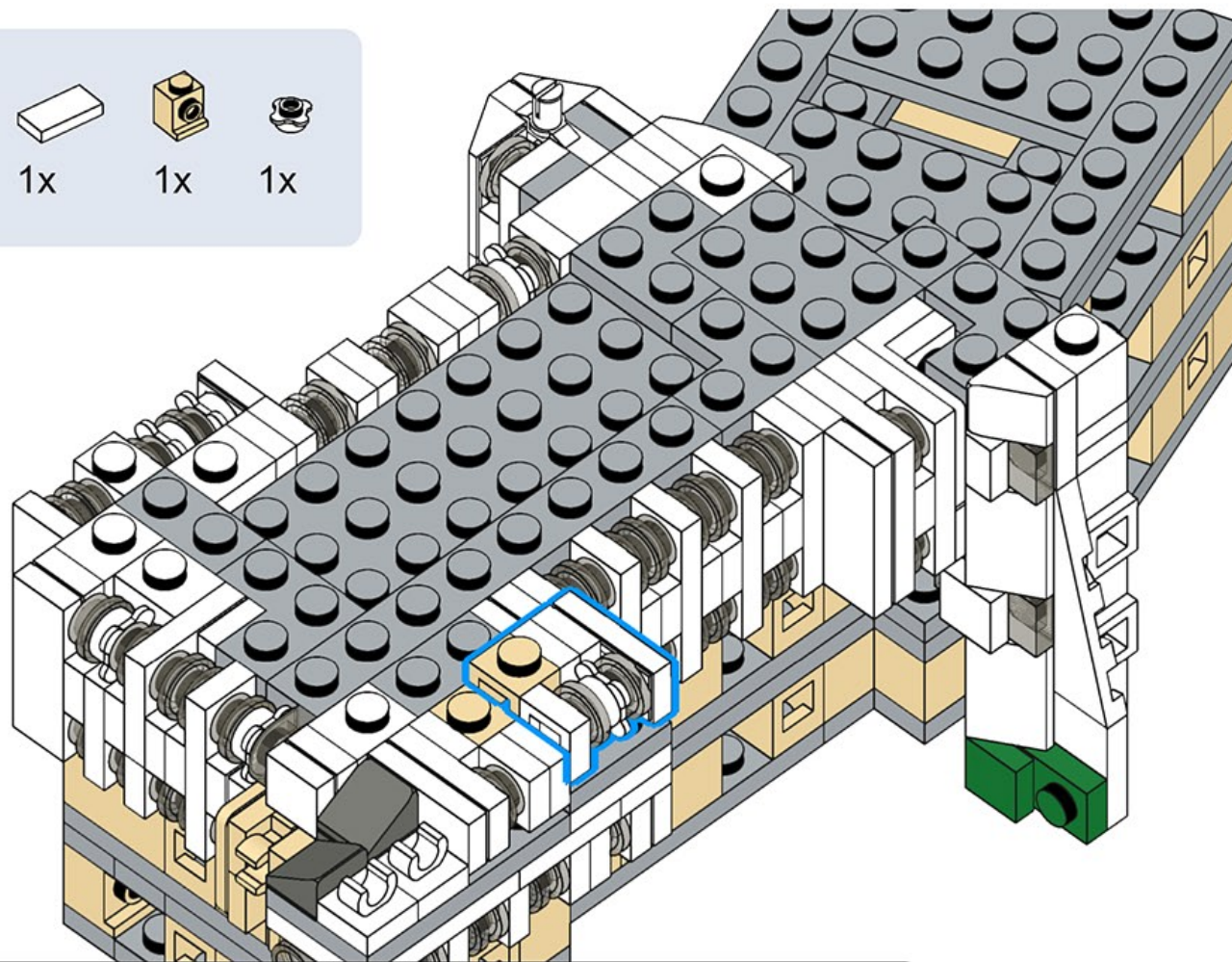
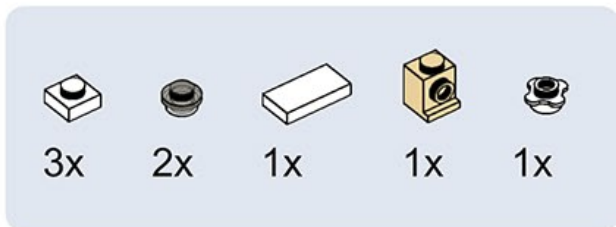
				
3x	1x	1x	1x	1x



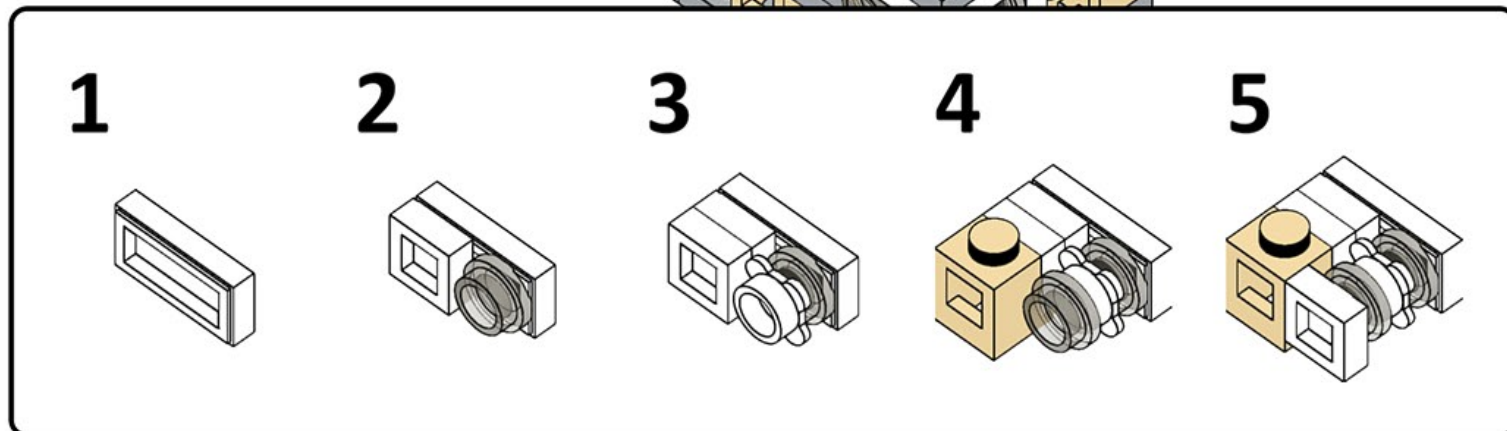
1	2	3	4	5
				

1160

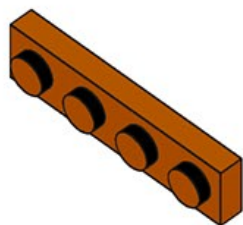
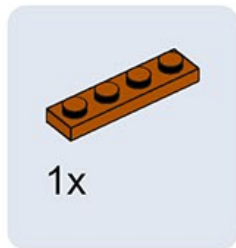
3x 2x 1x 1x 1x



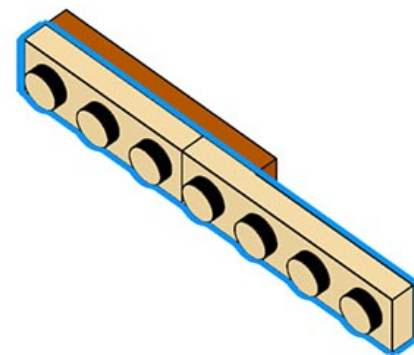
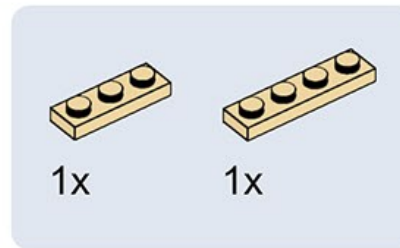
1 **2** **3** **4** **5**



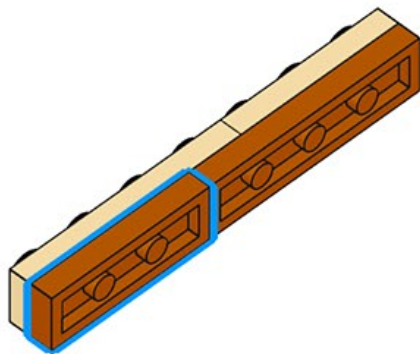
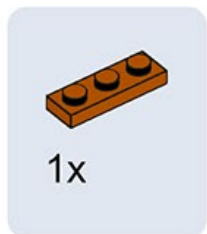
1161



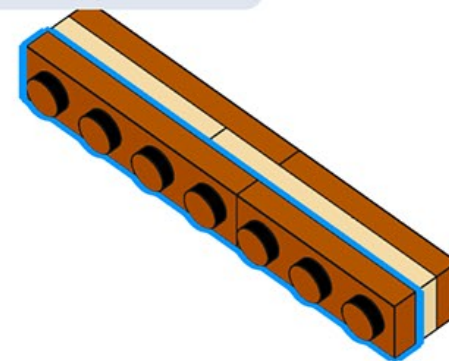
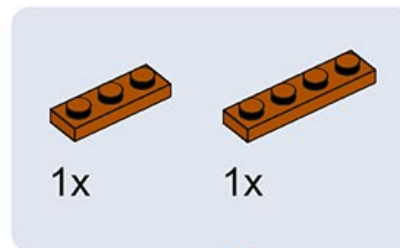
1162



1163



1164



1165



3x



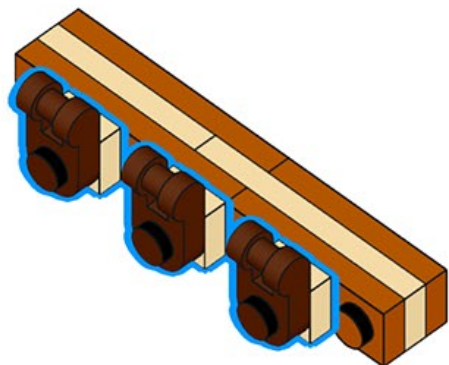
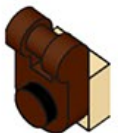
3x

1



3x

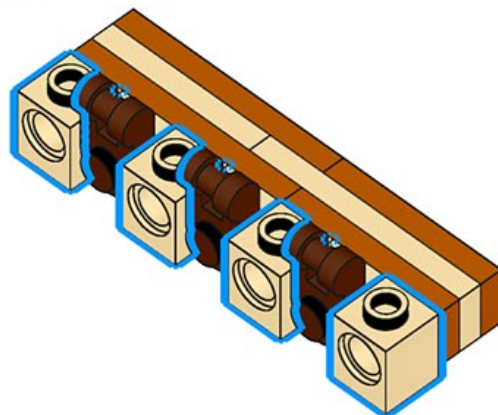
2



1166



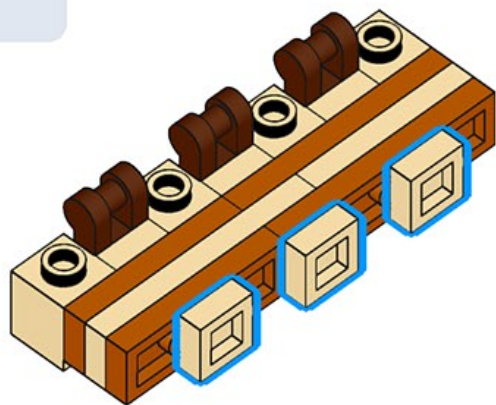
4x



1167



3x



1168



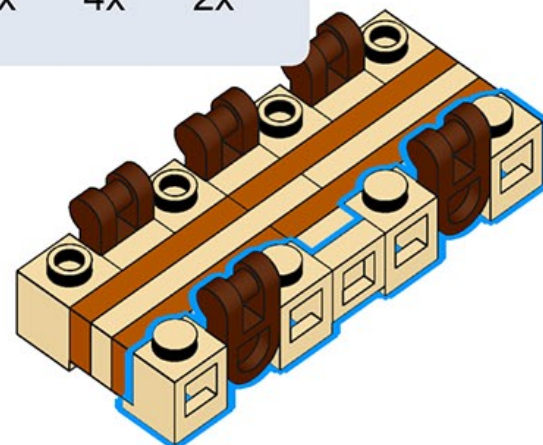
1x



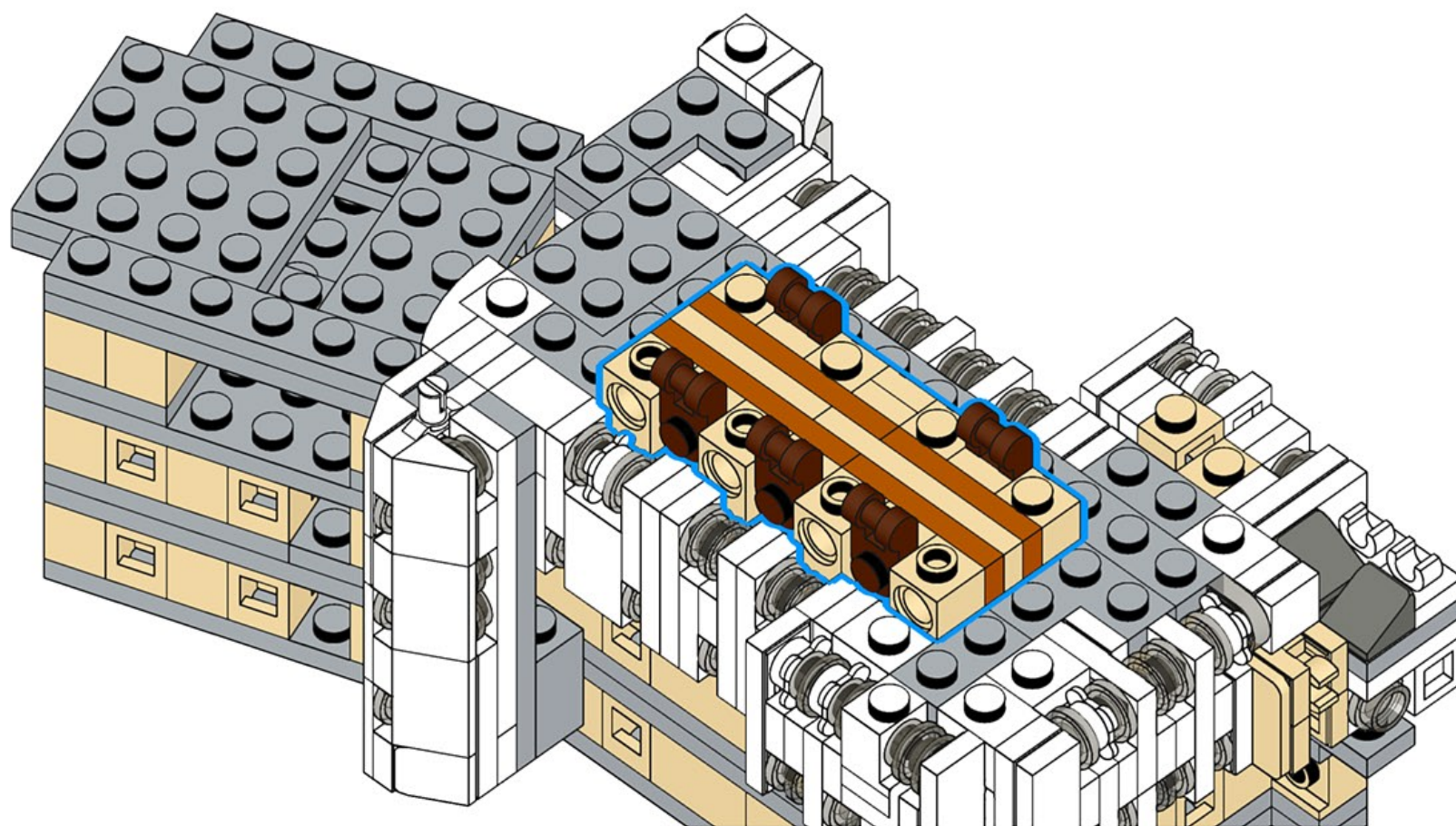
4x



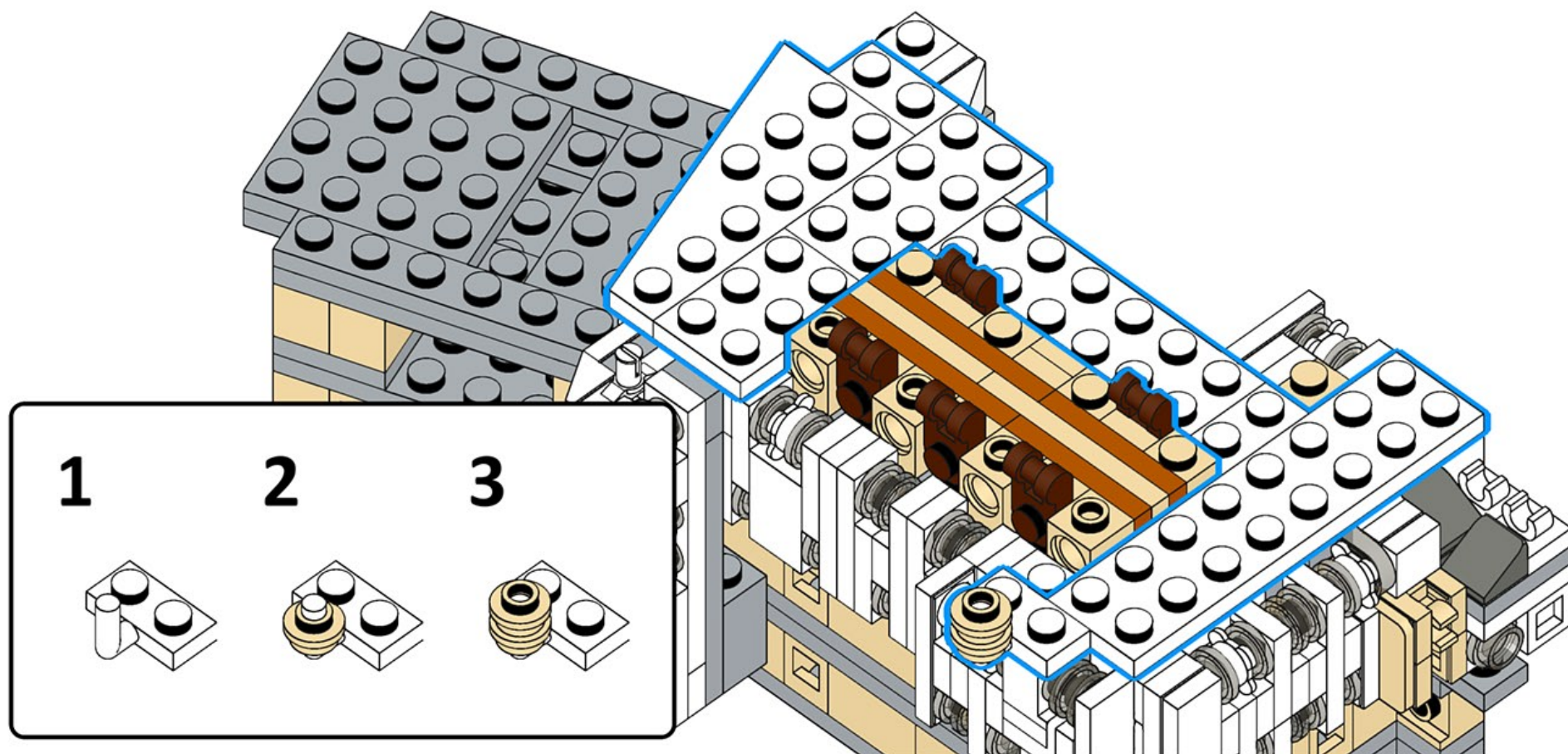
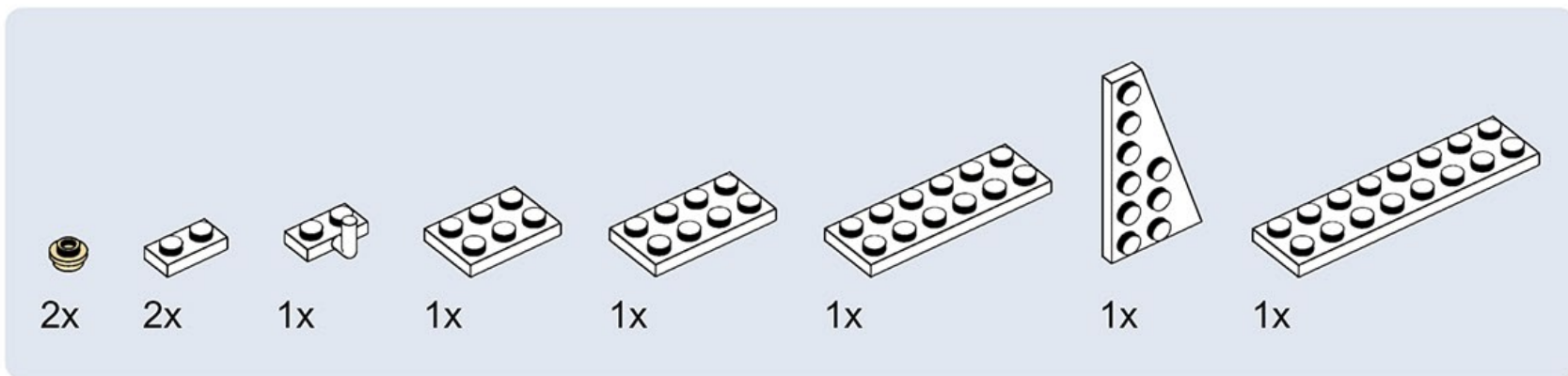
2x



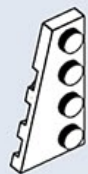
1169



1170



1171



1x



1172



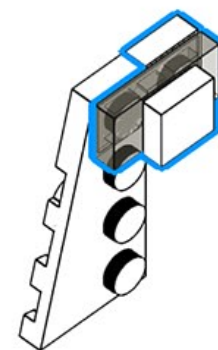
1x



1x



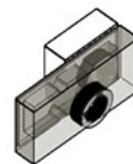
1x



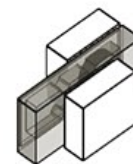
1



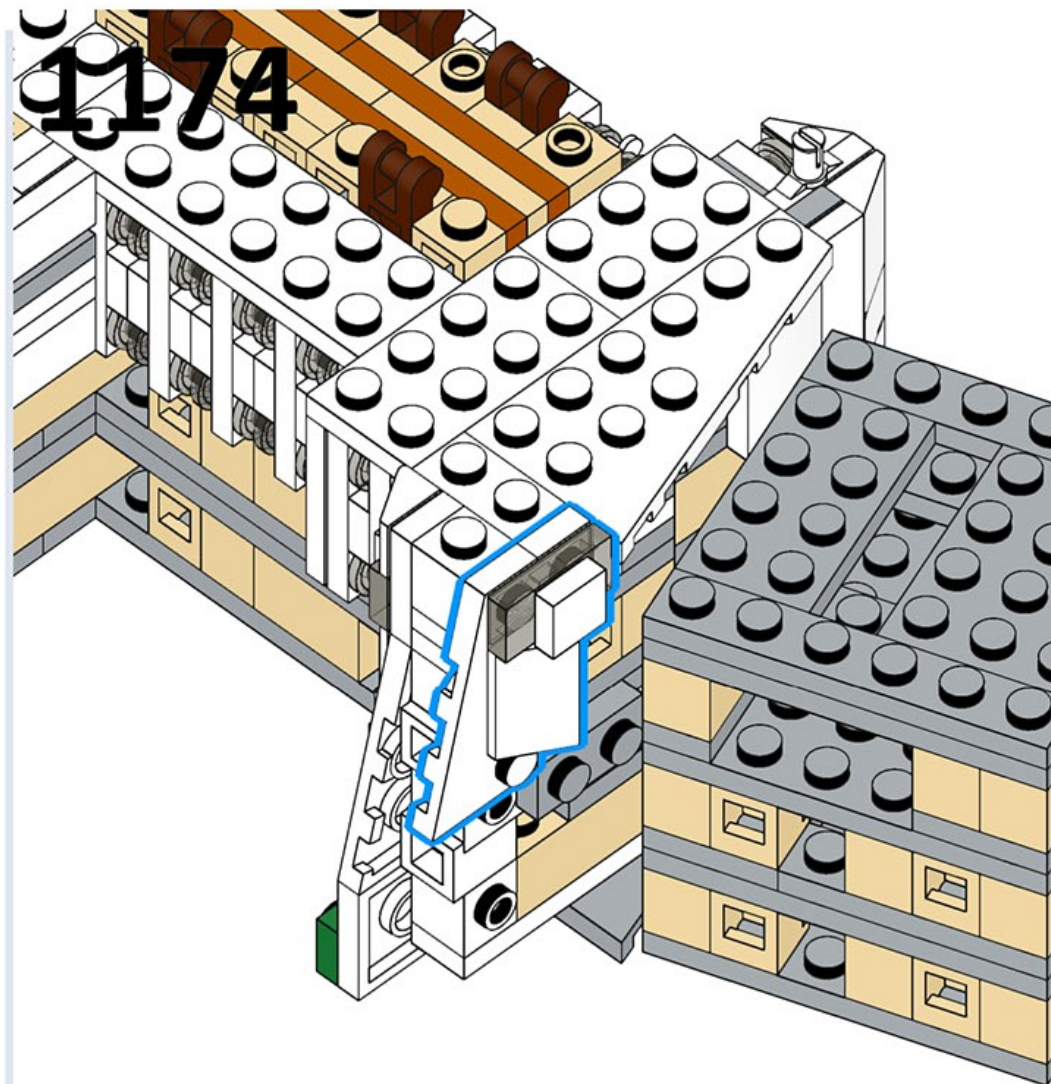
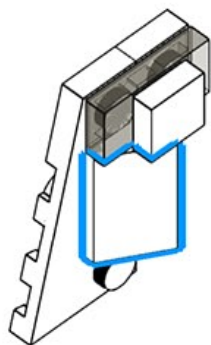
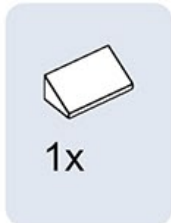
2



3



1173



1175



1x



1x



2x



1x



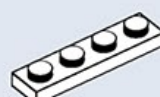
2x



2x



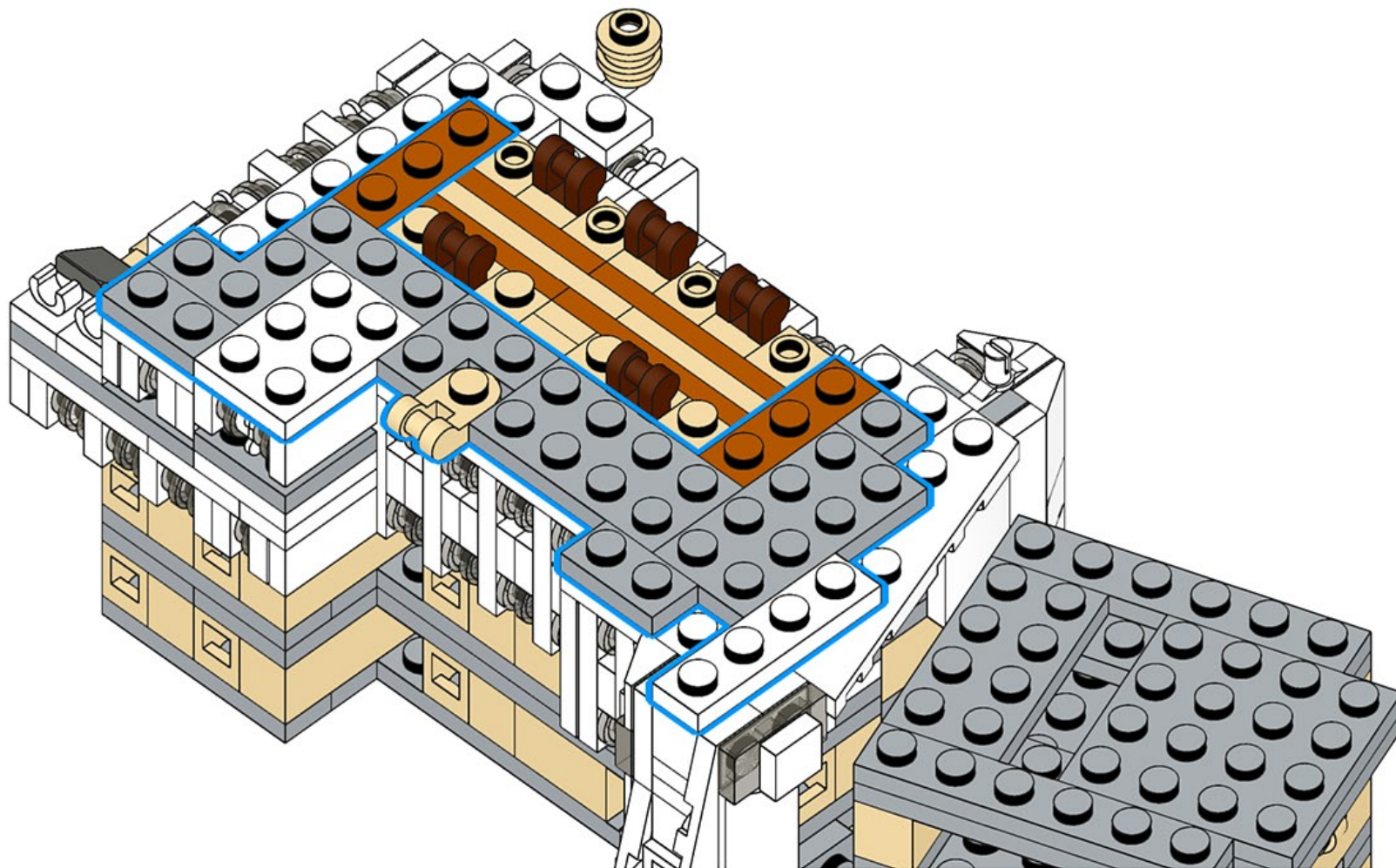
1x



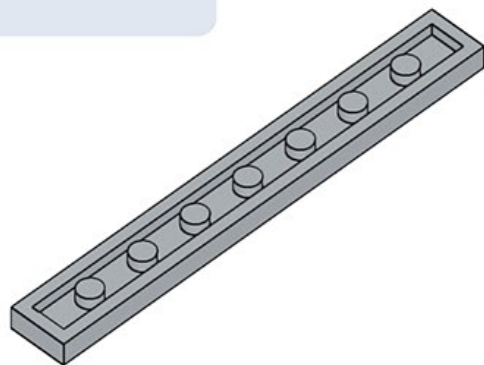
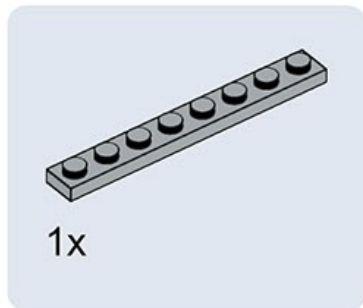
1x



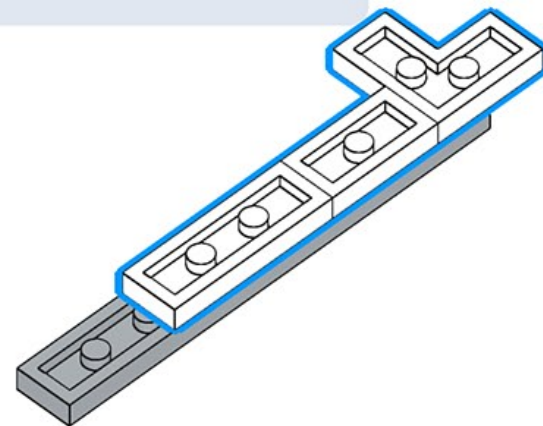
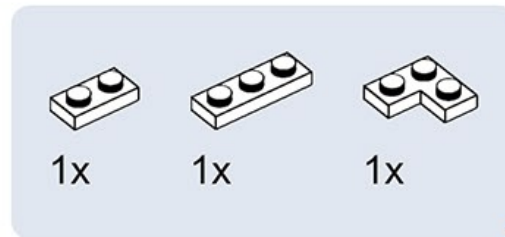
2x



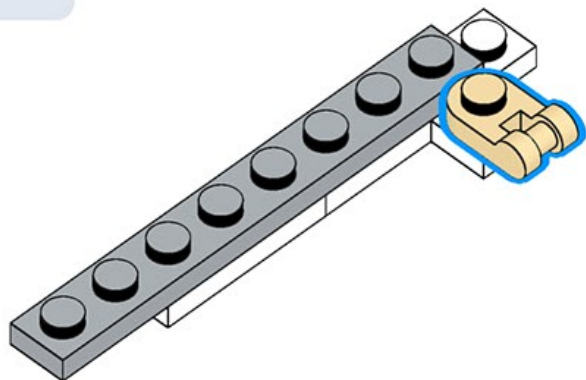
1176



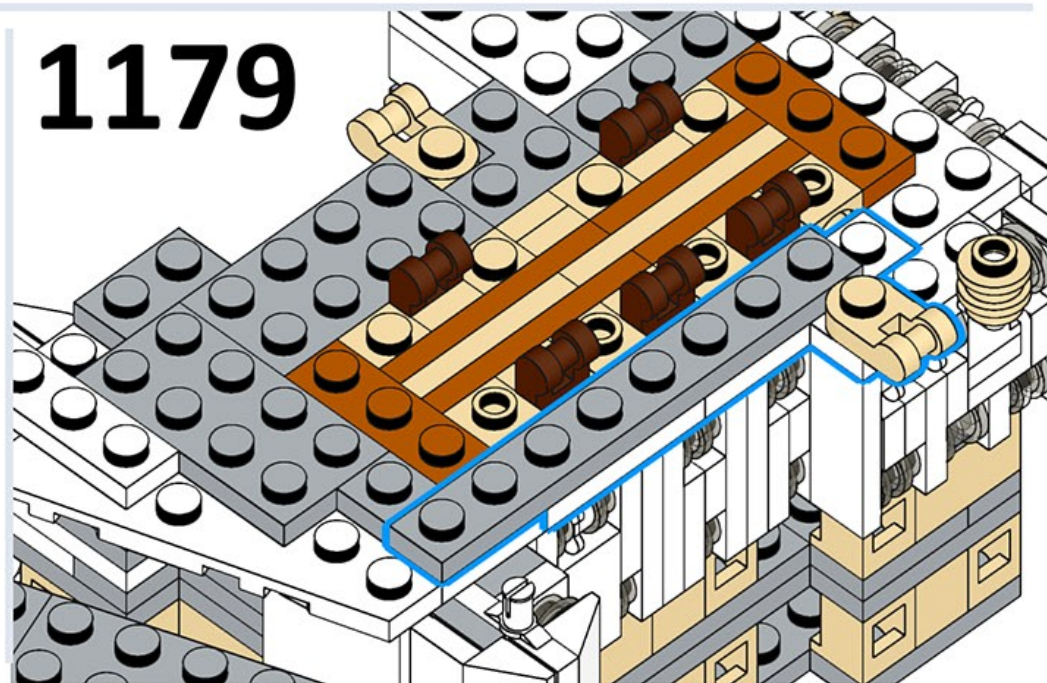
1177



1178

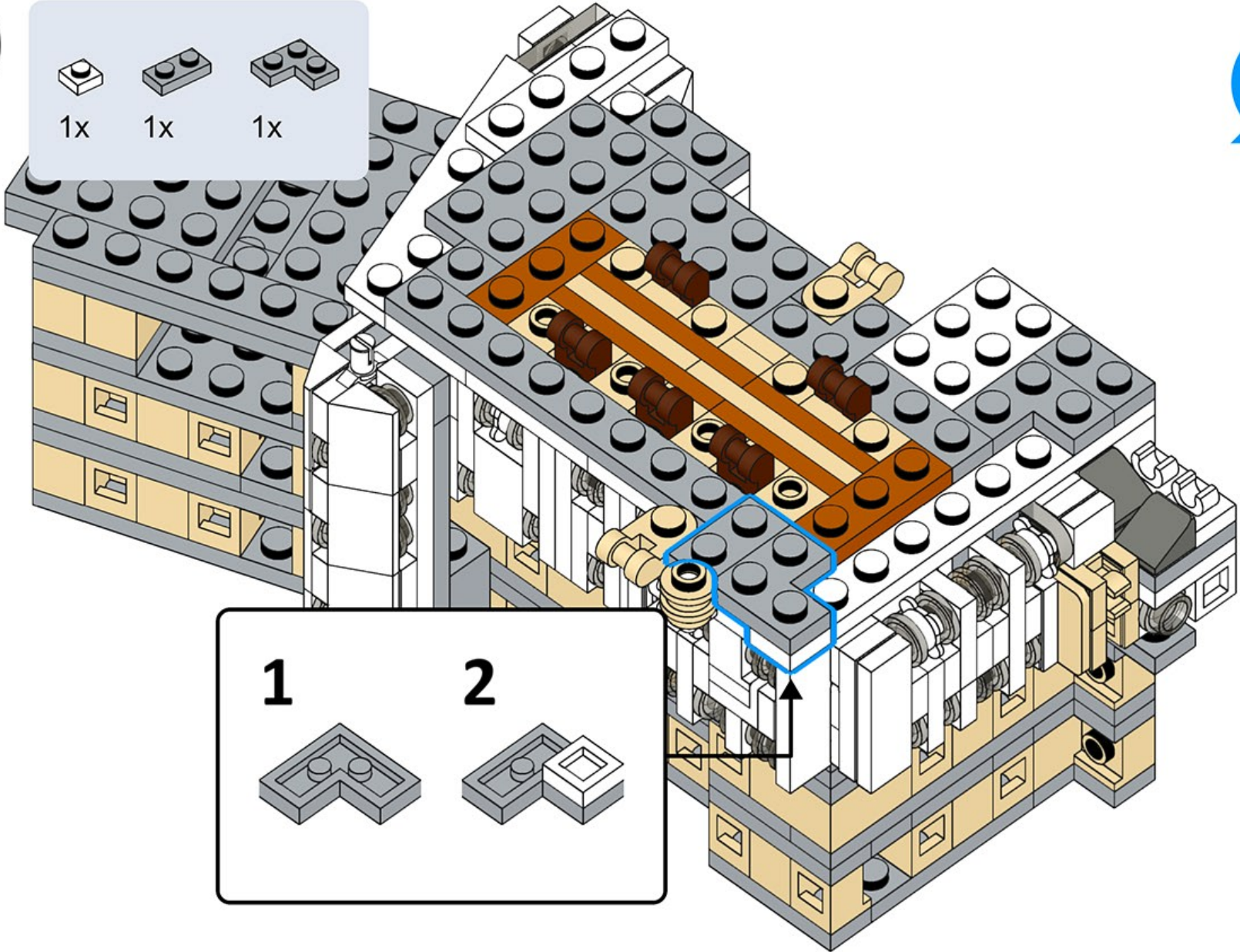
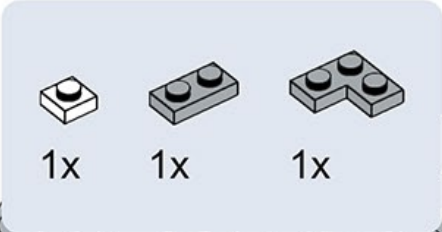


1179

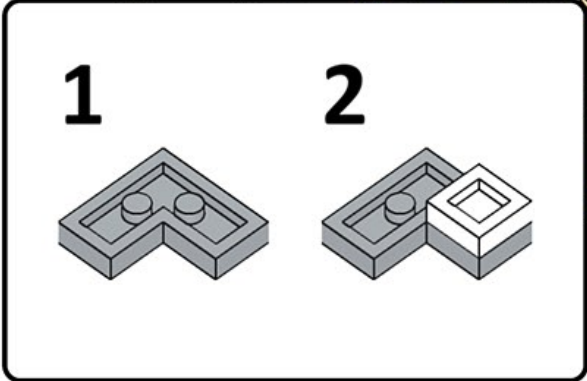


1180

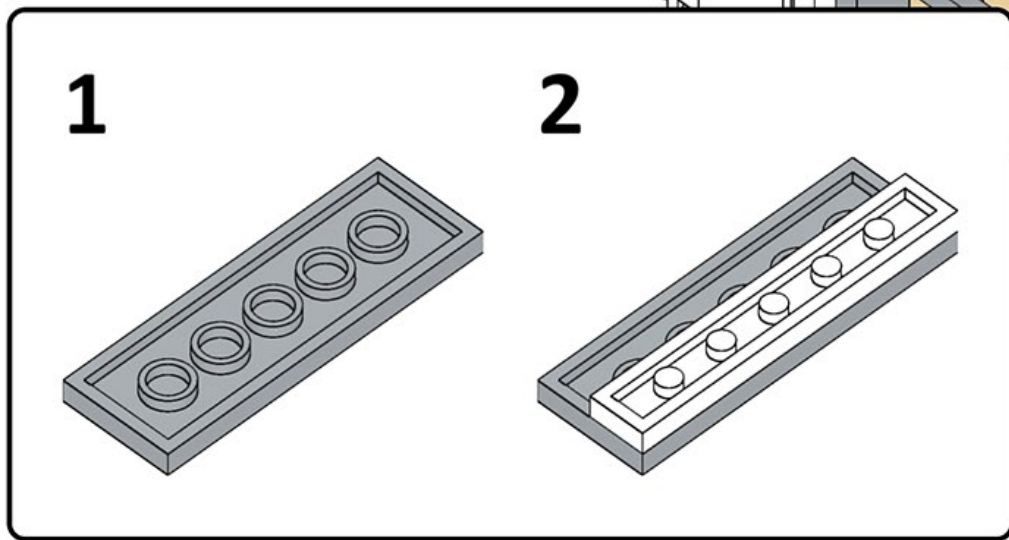
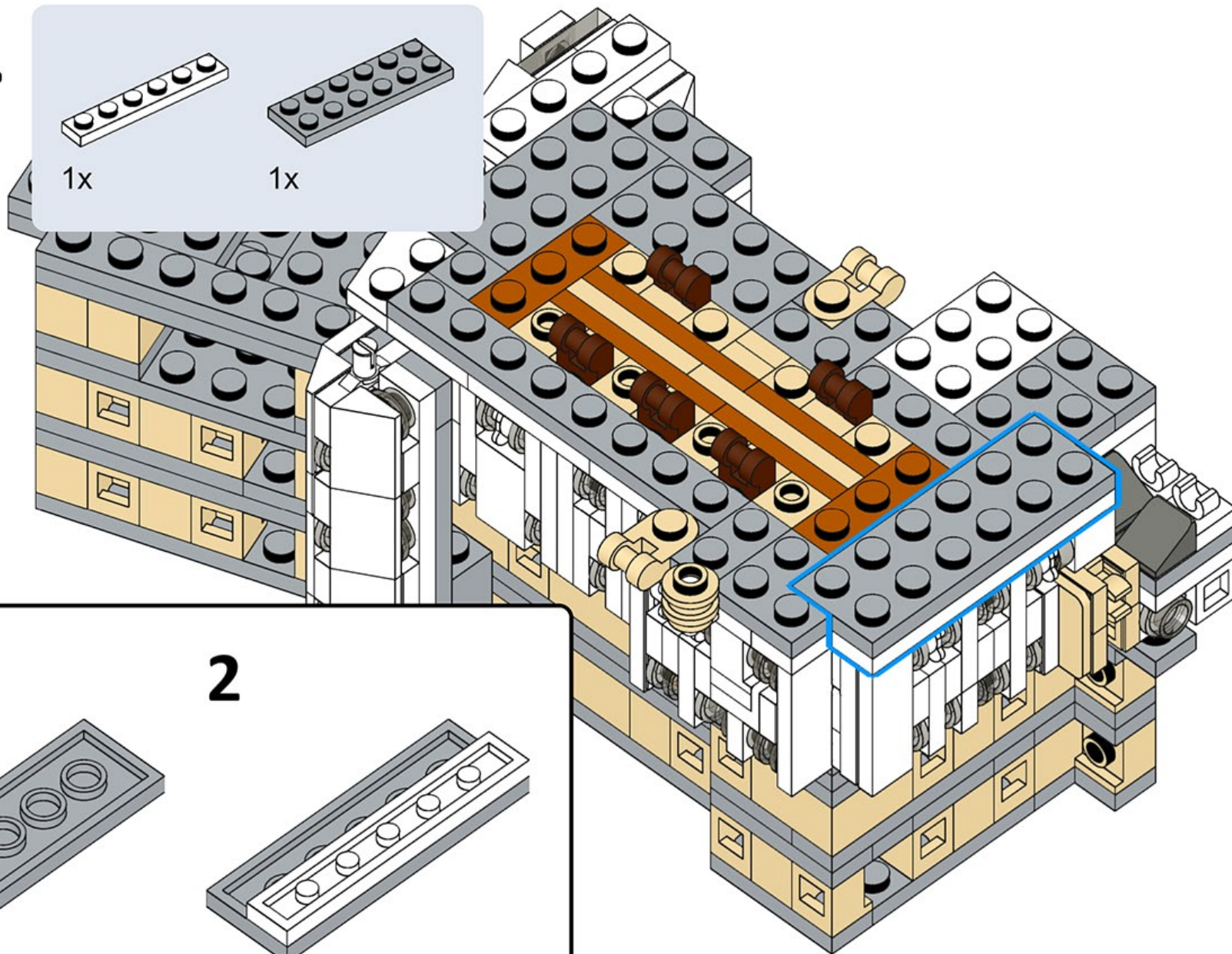
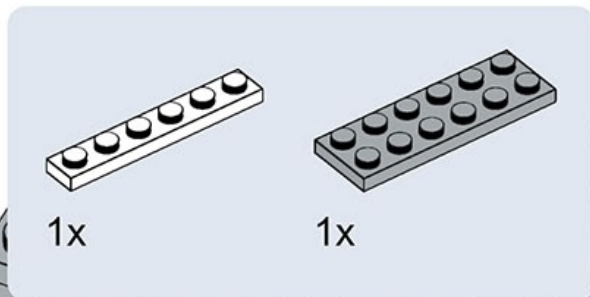
1x 1x 1x



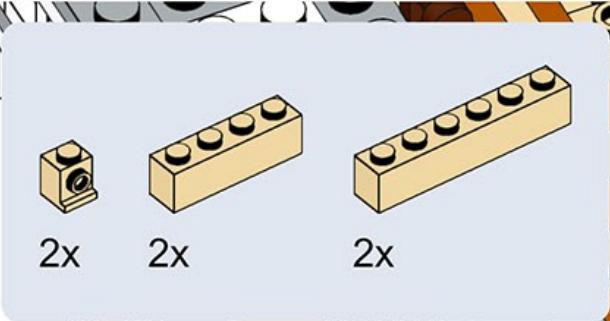
1 2


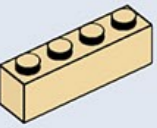
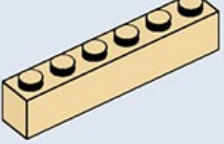


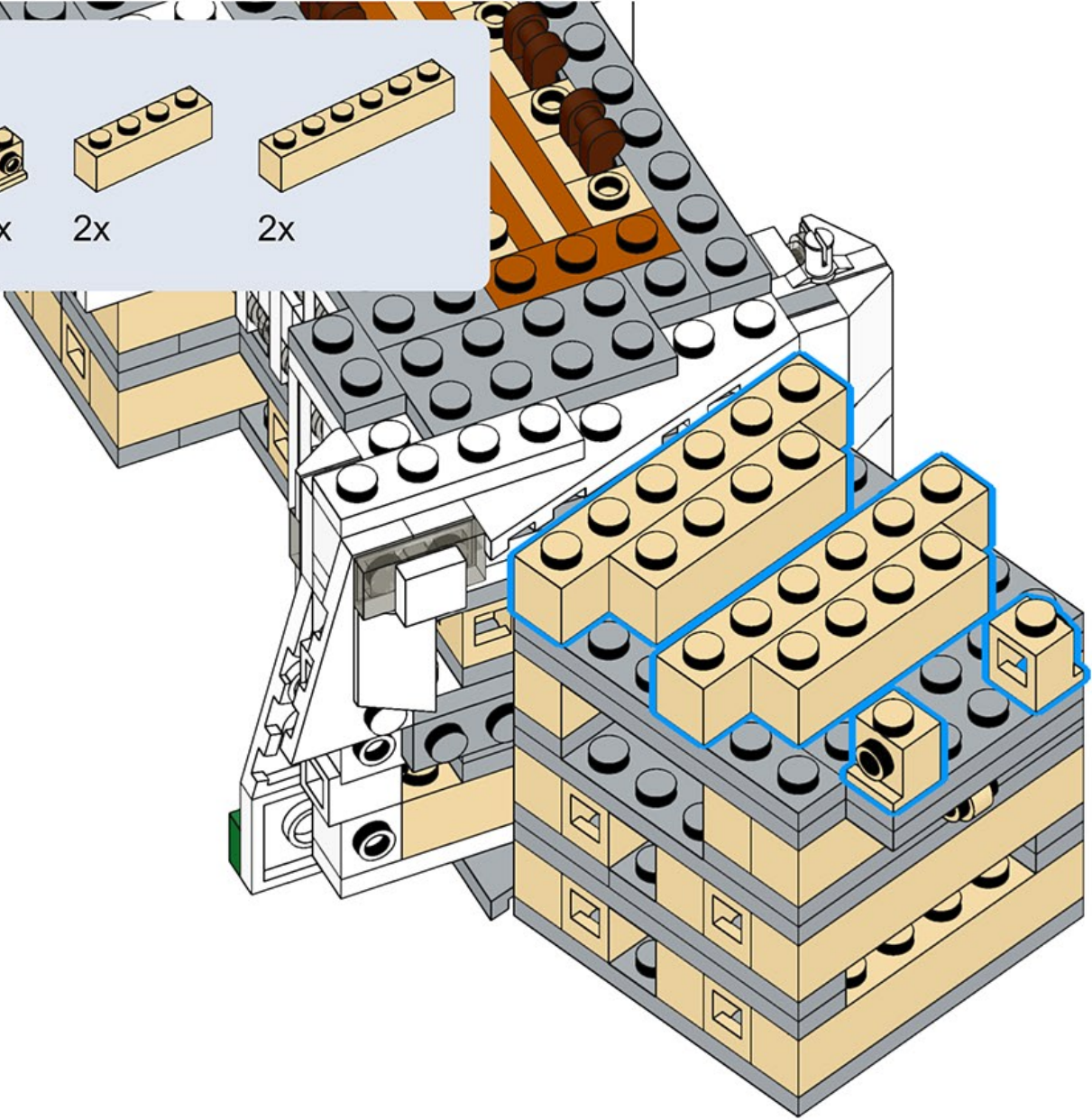
1181



1182



2x  2x  2x 



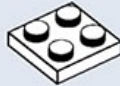
1183



2x



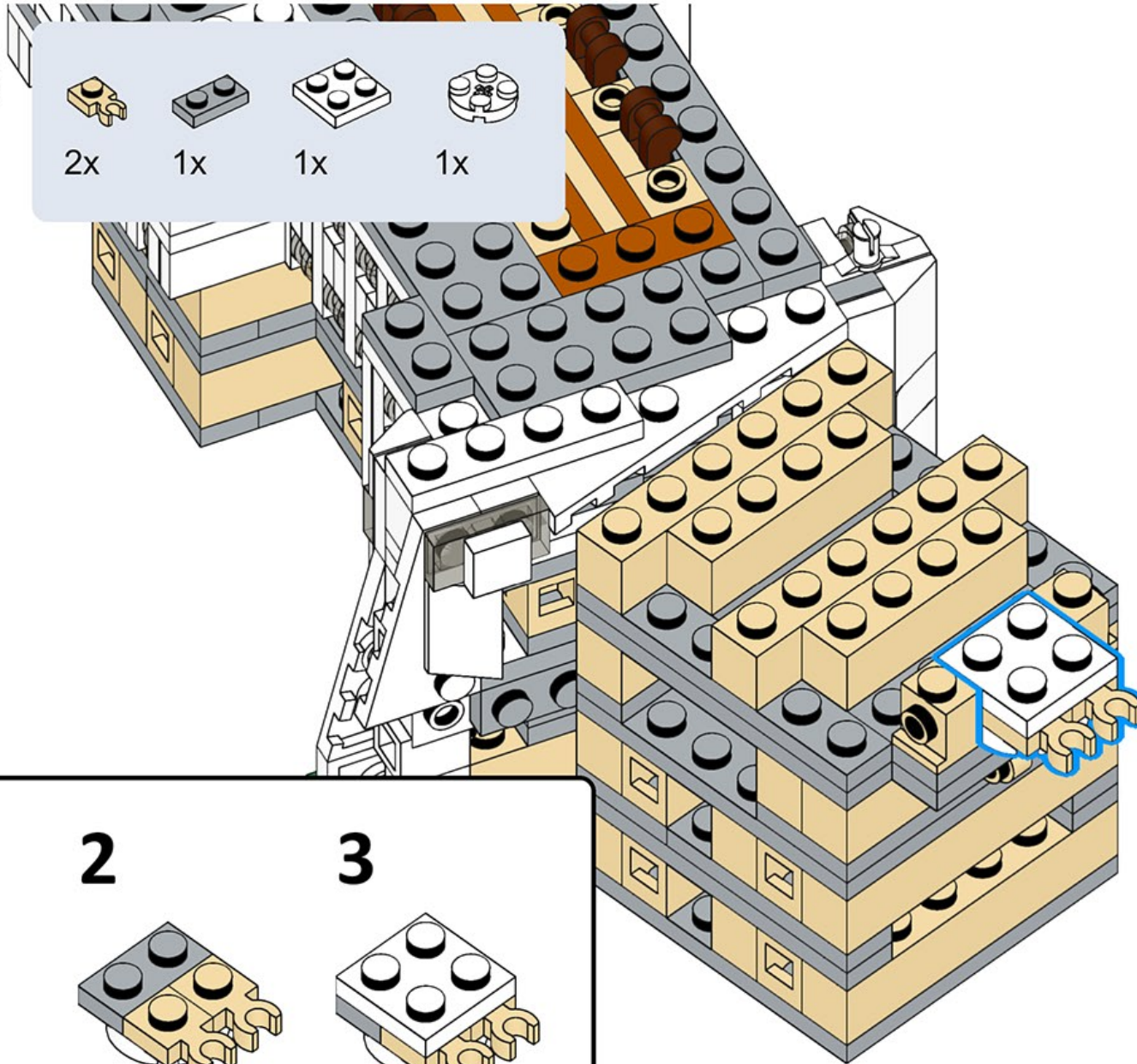
1x



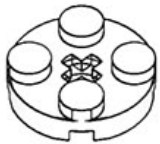
1x



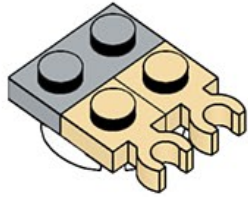
1x



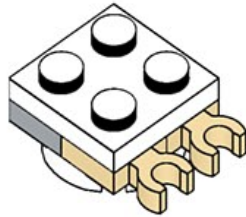
1



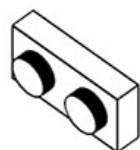
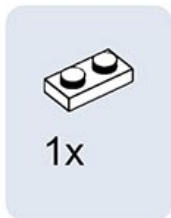
2



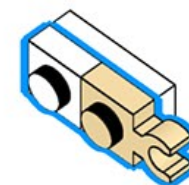
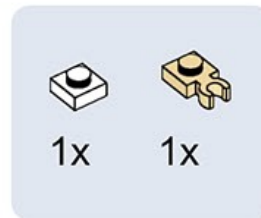
3



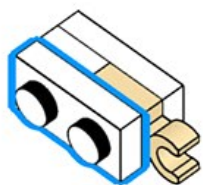
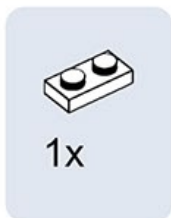
1184



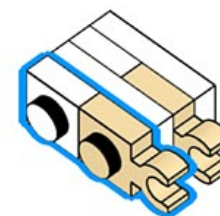
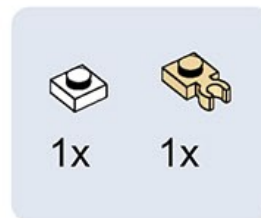
1185



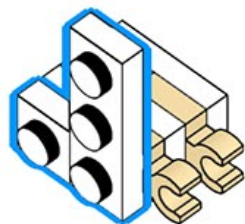
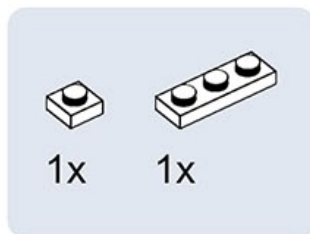
1186



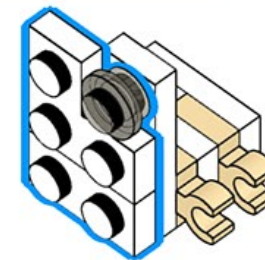
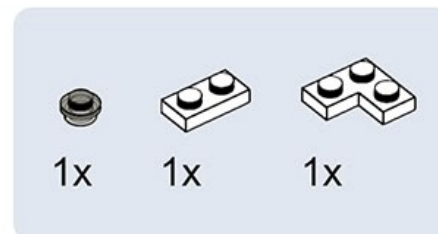
1187



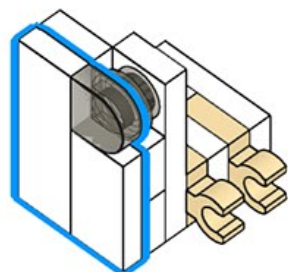
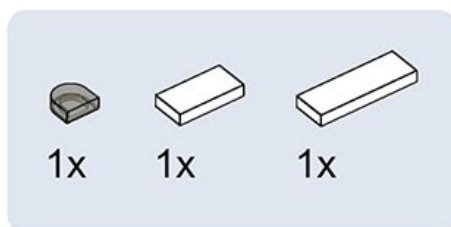
1188



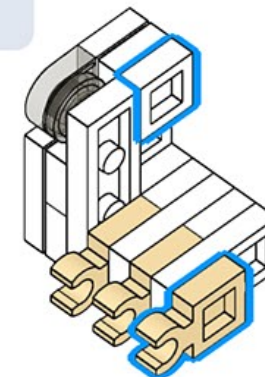
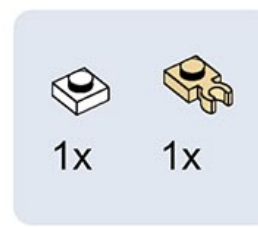
1189



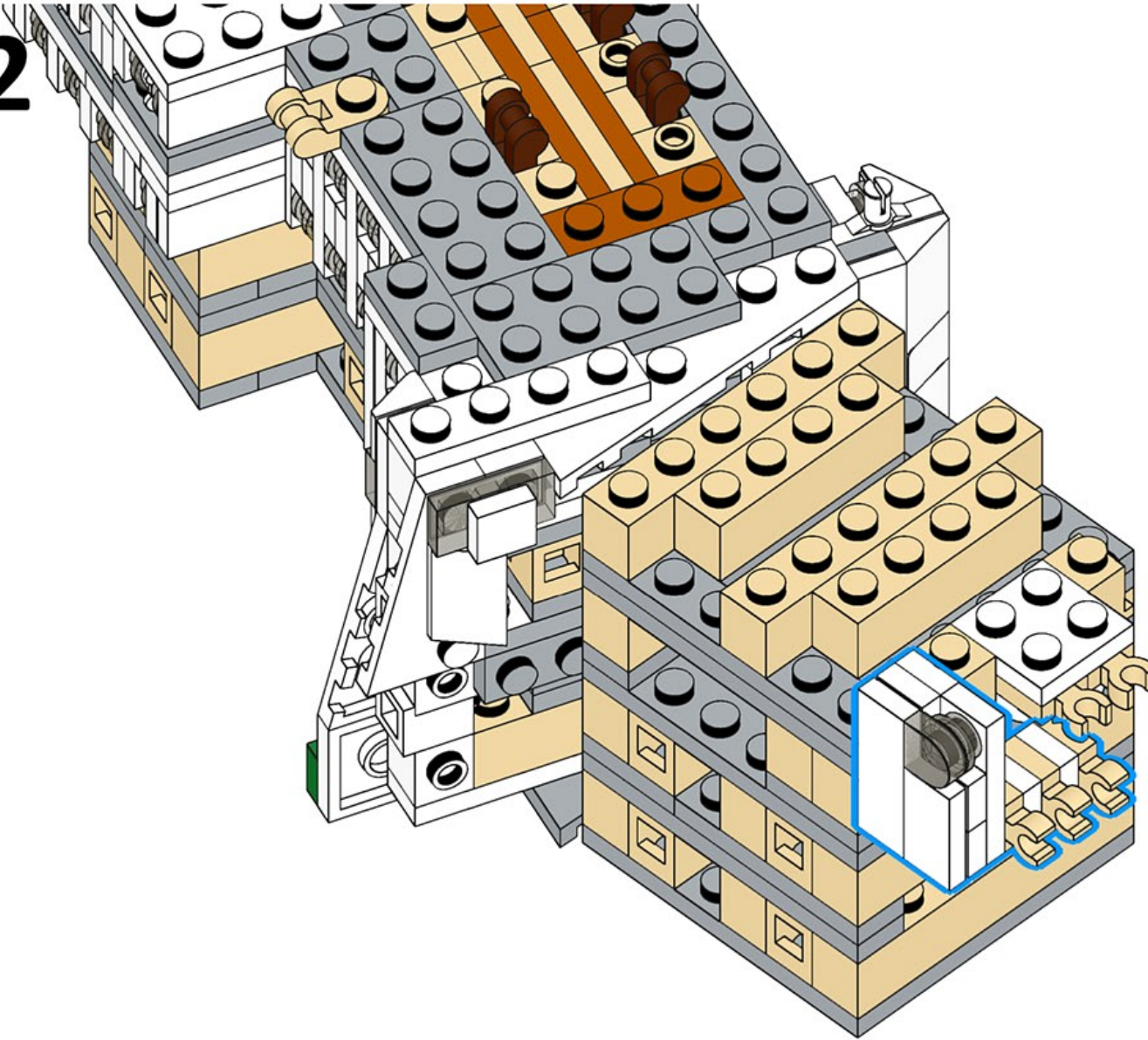
1190



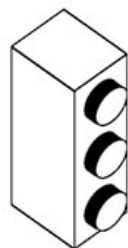
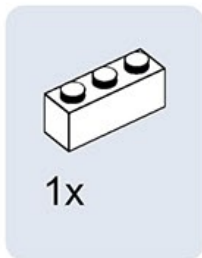
1191



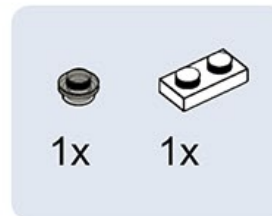
1192



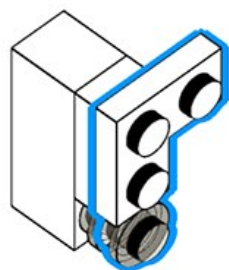
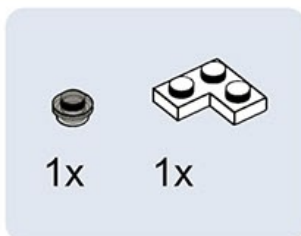
1193



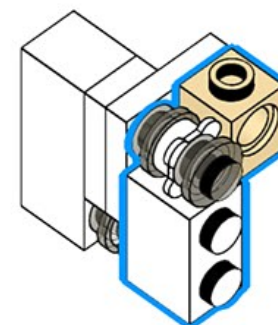
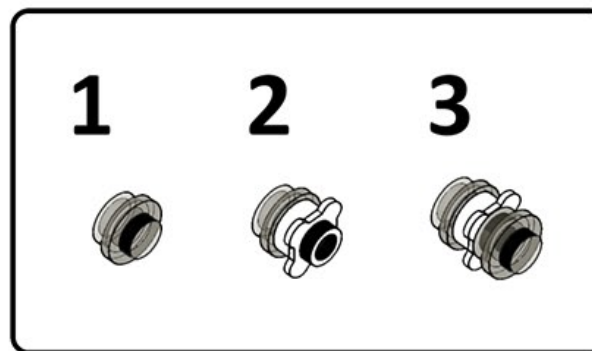
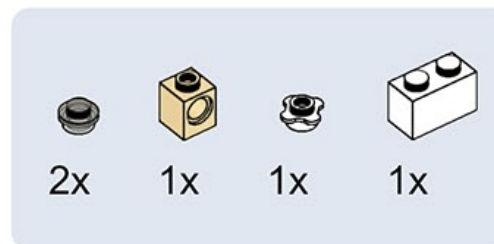
1194



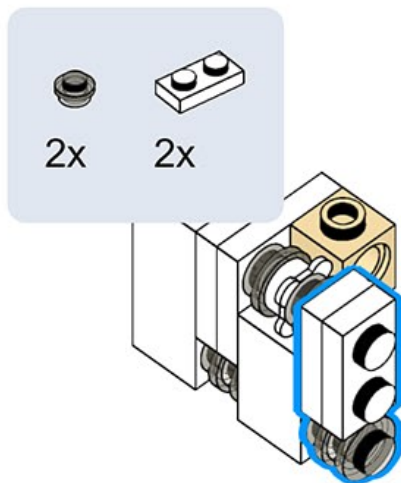
1195



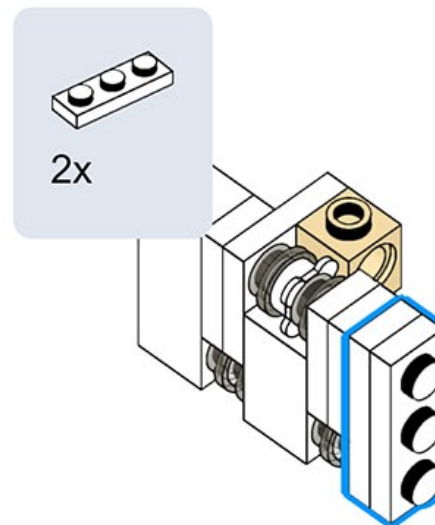
1196



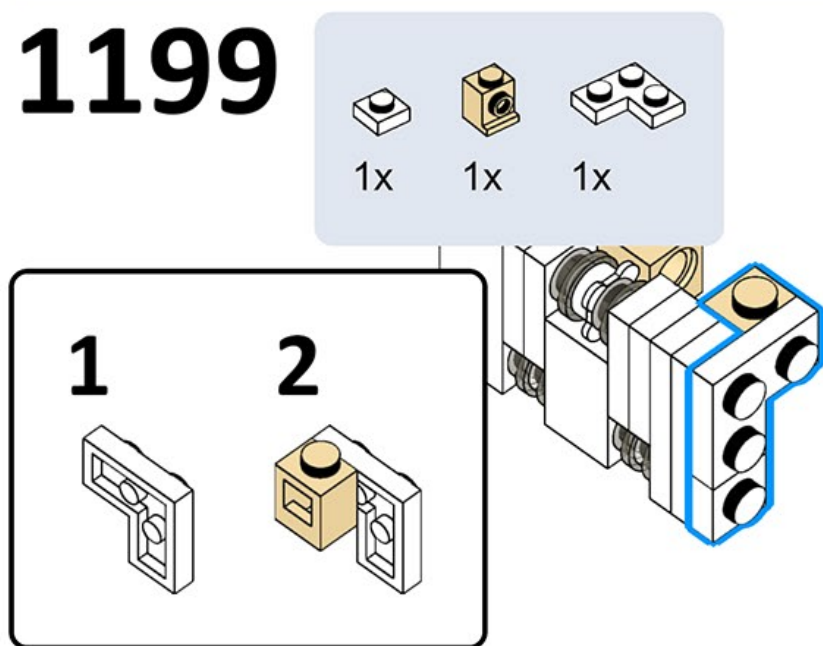
1197



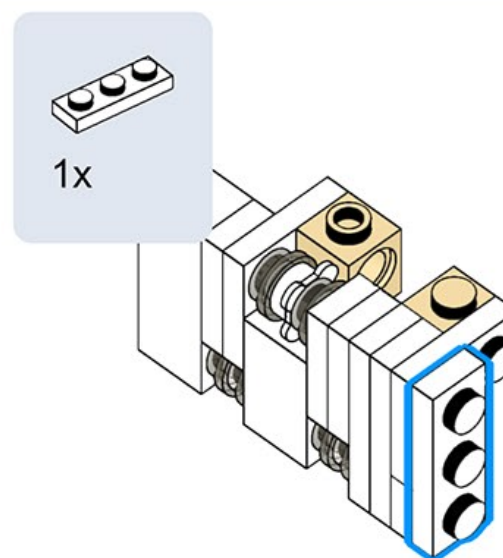
1198



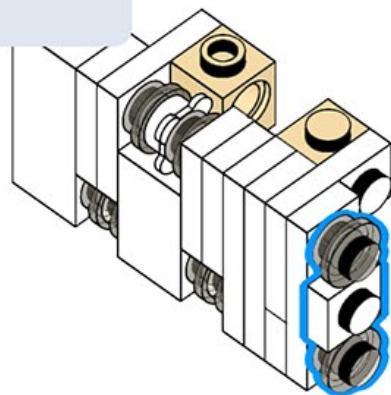
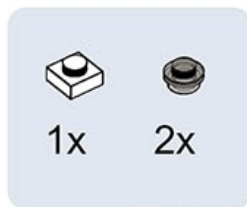
1199



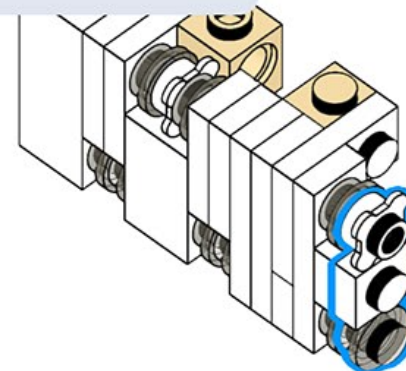
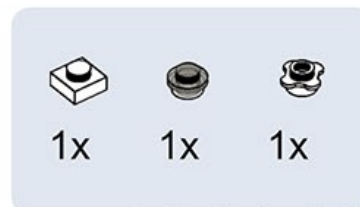
1200



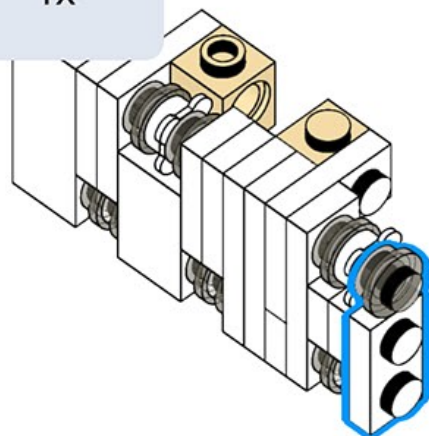
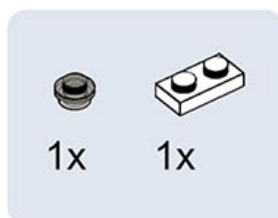
1201



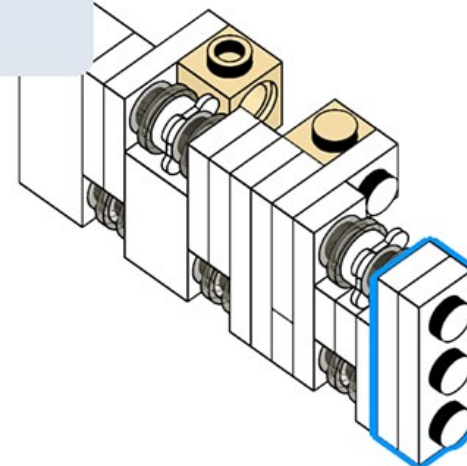
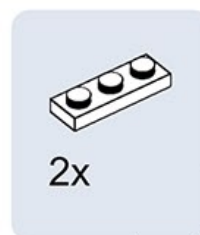
1202



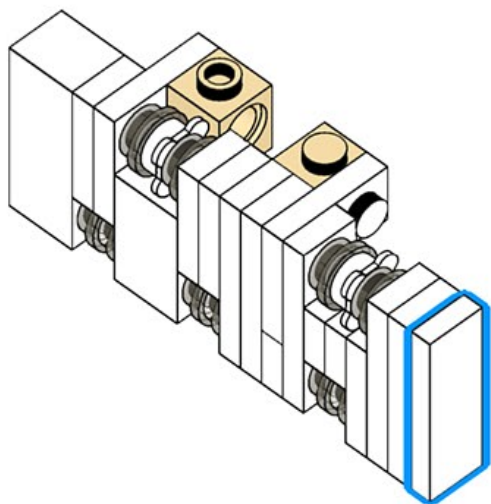
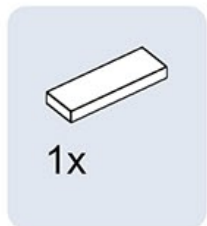
1203



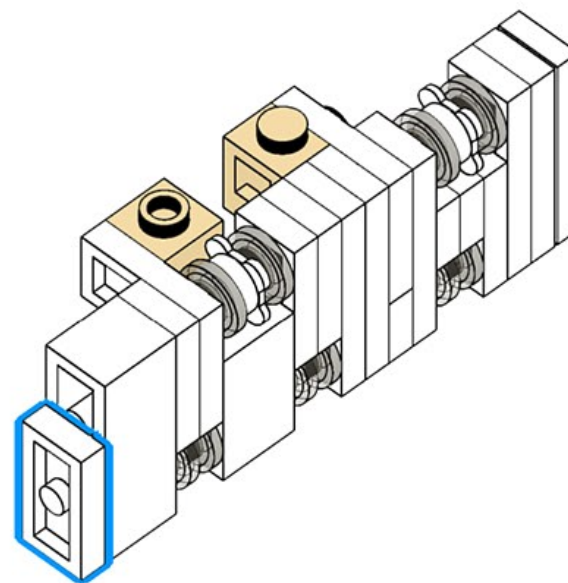
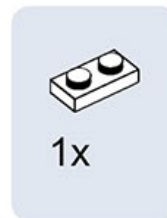
1204



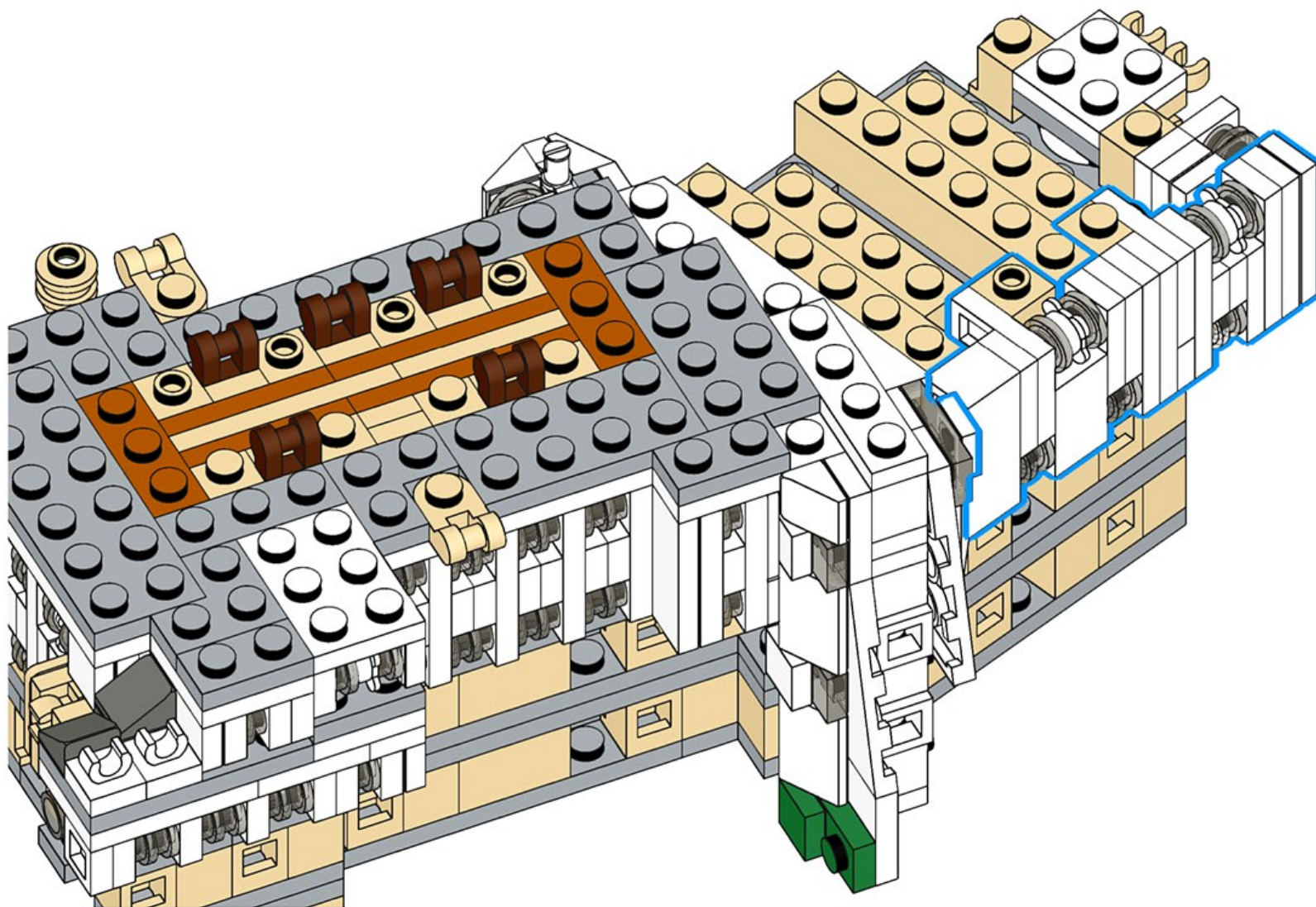
1205



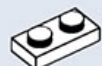
1206



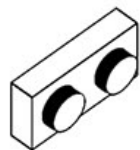
1207



1208



1x



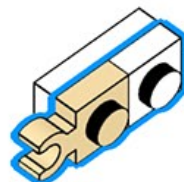
1209



1x



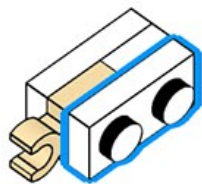
1x



1210



1x



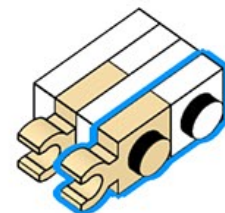
1211



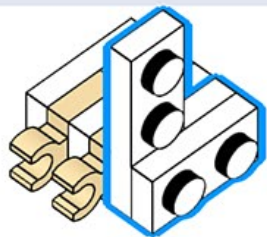
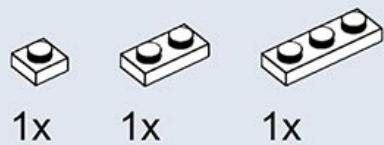
1x



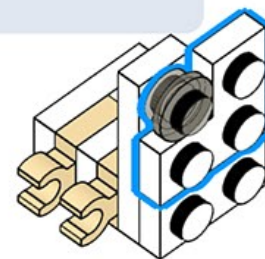
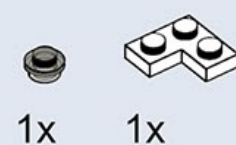
1x



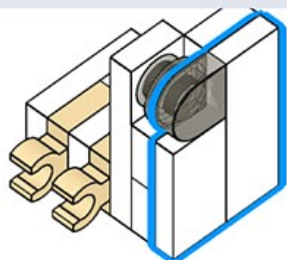
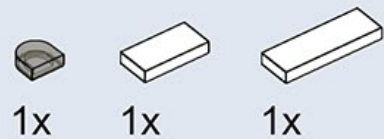
1212



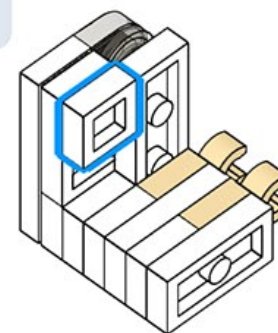
1213



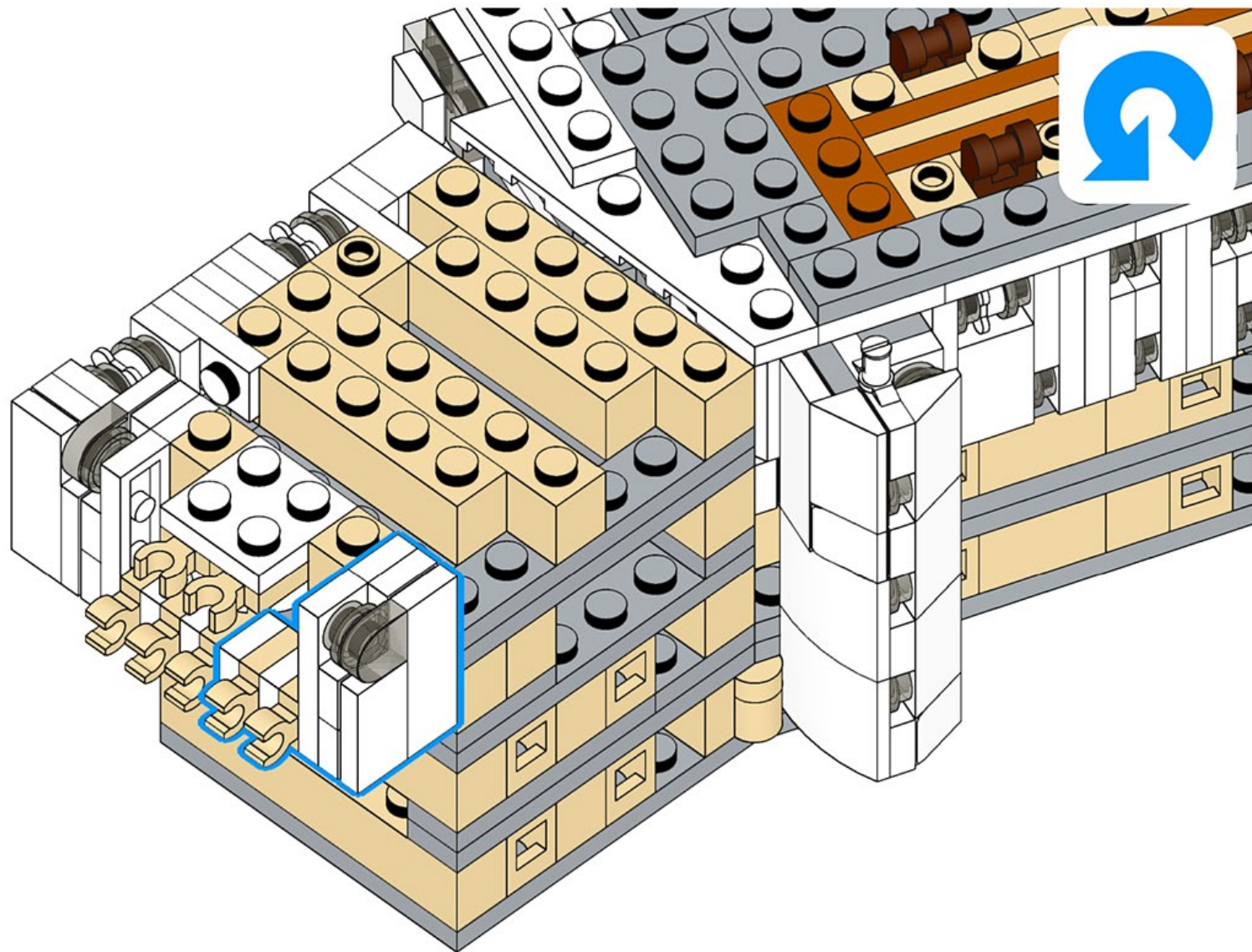
1214



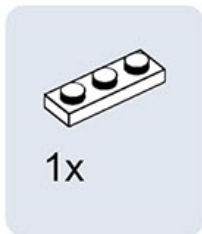
1215



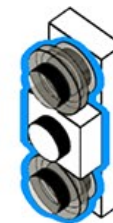
1216



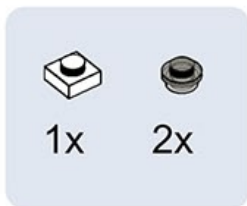
1217



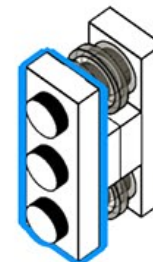
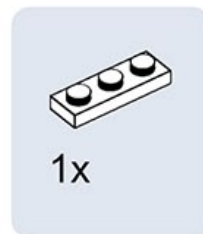
1218



1219



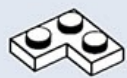
1220



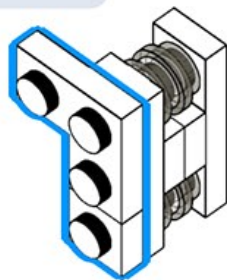
1221



1x



1x



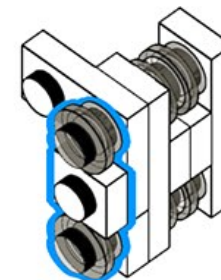
1222



2x



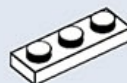
1x



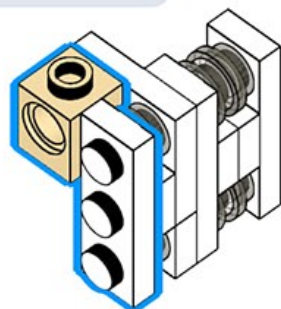
1223



1x



1x



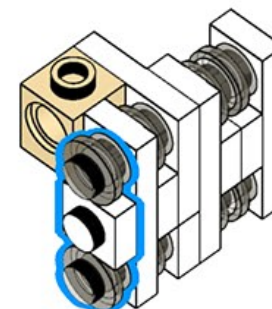
1224



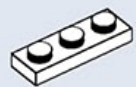
2x



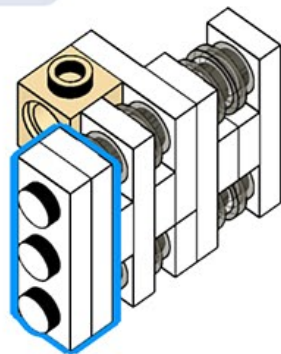
1x



1225



2x



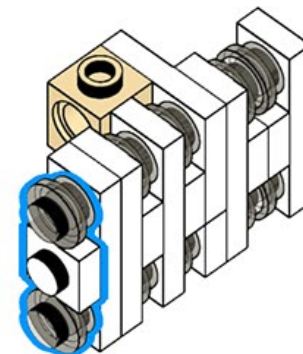
1226



1x



2x



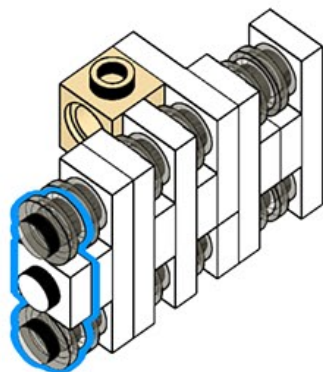
1227



1x



2x



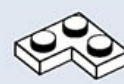
1228



1x

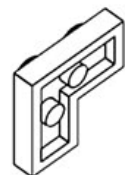


1x

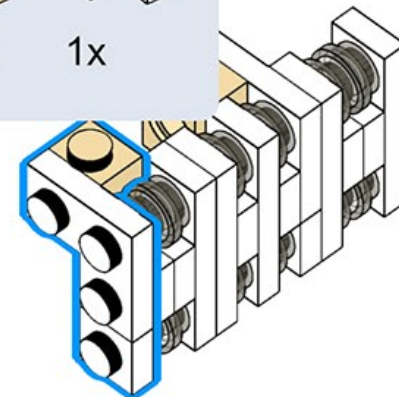
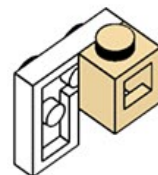


1x

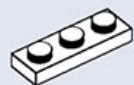
1



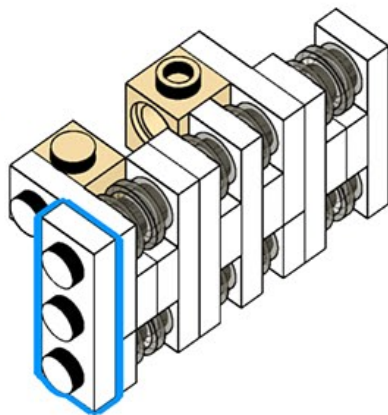
2



1229



1x



1230



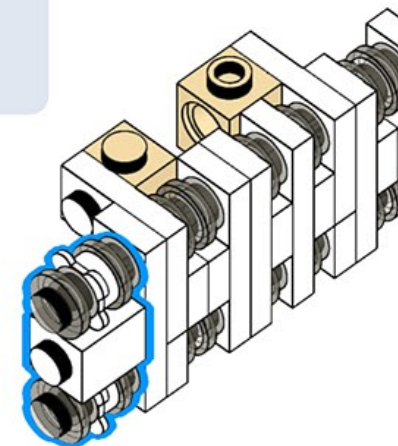
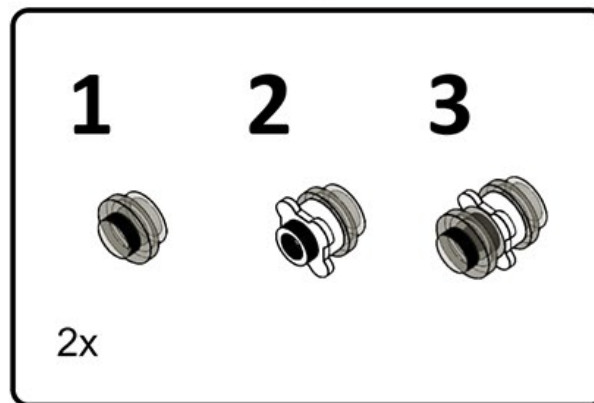
4x



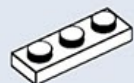
1x



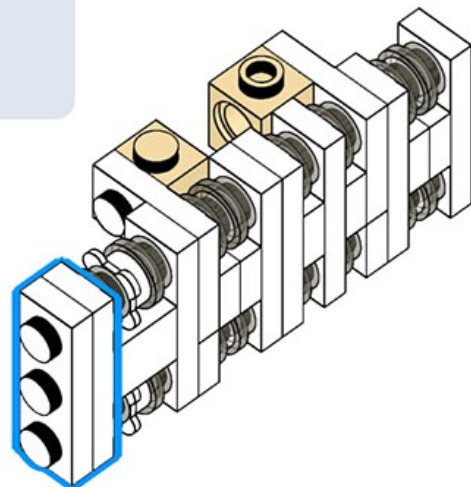
2x



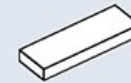
1231



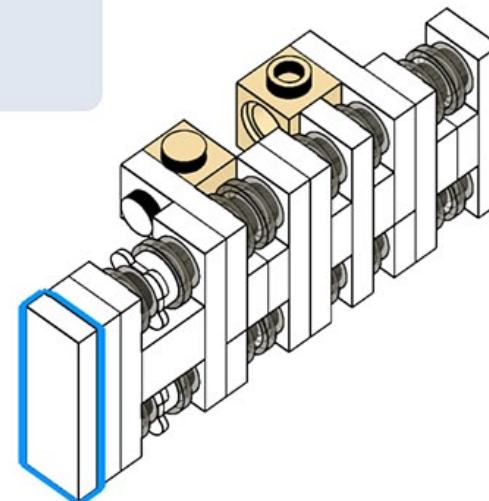
2x



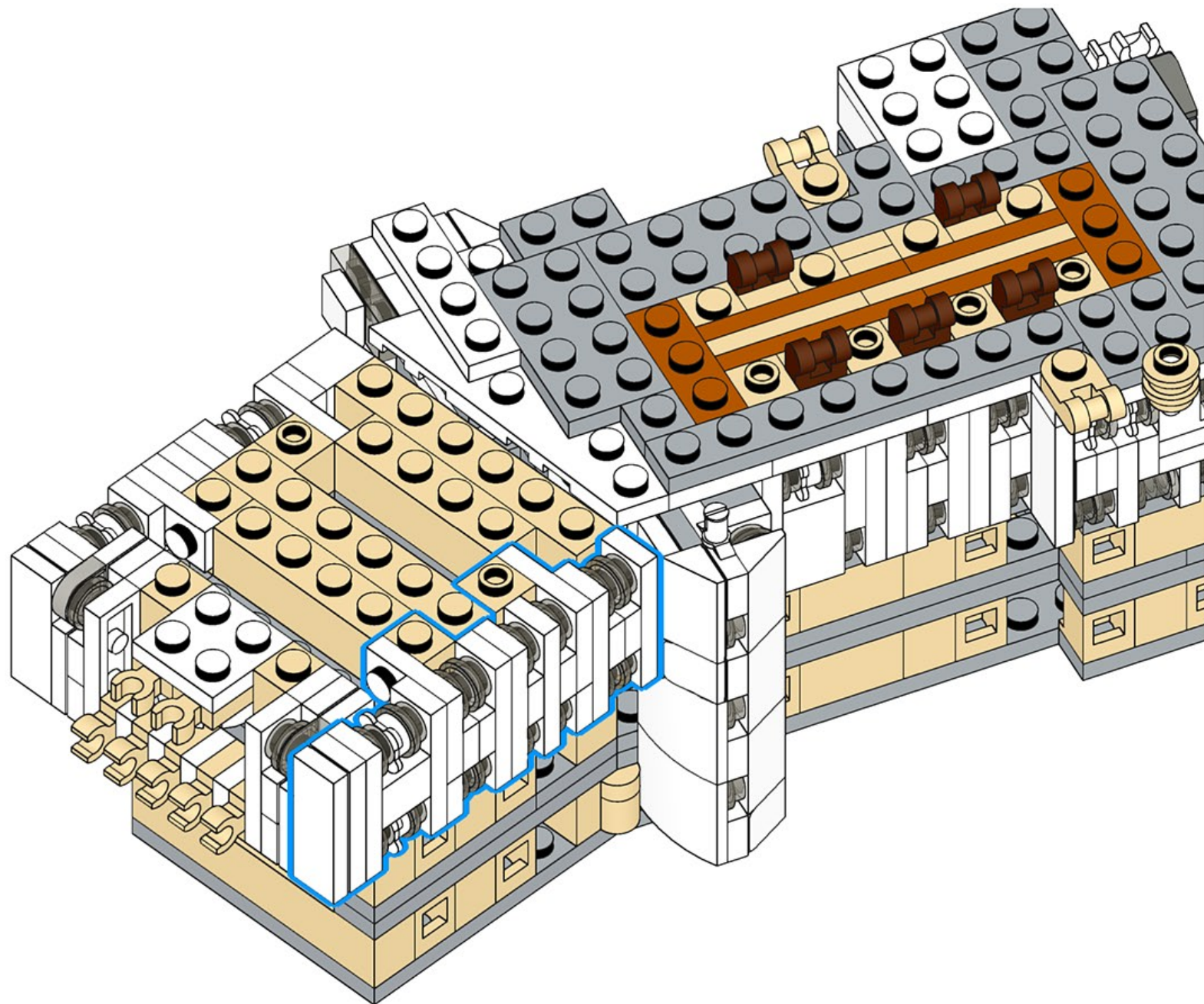
1232



1x



1233



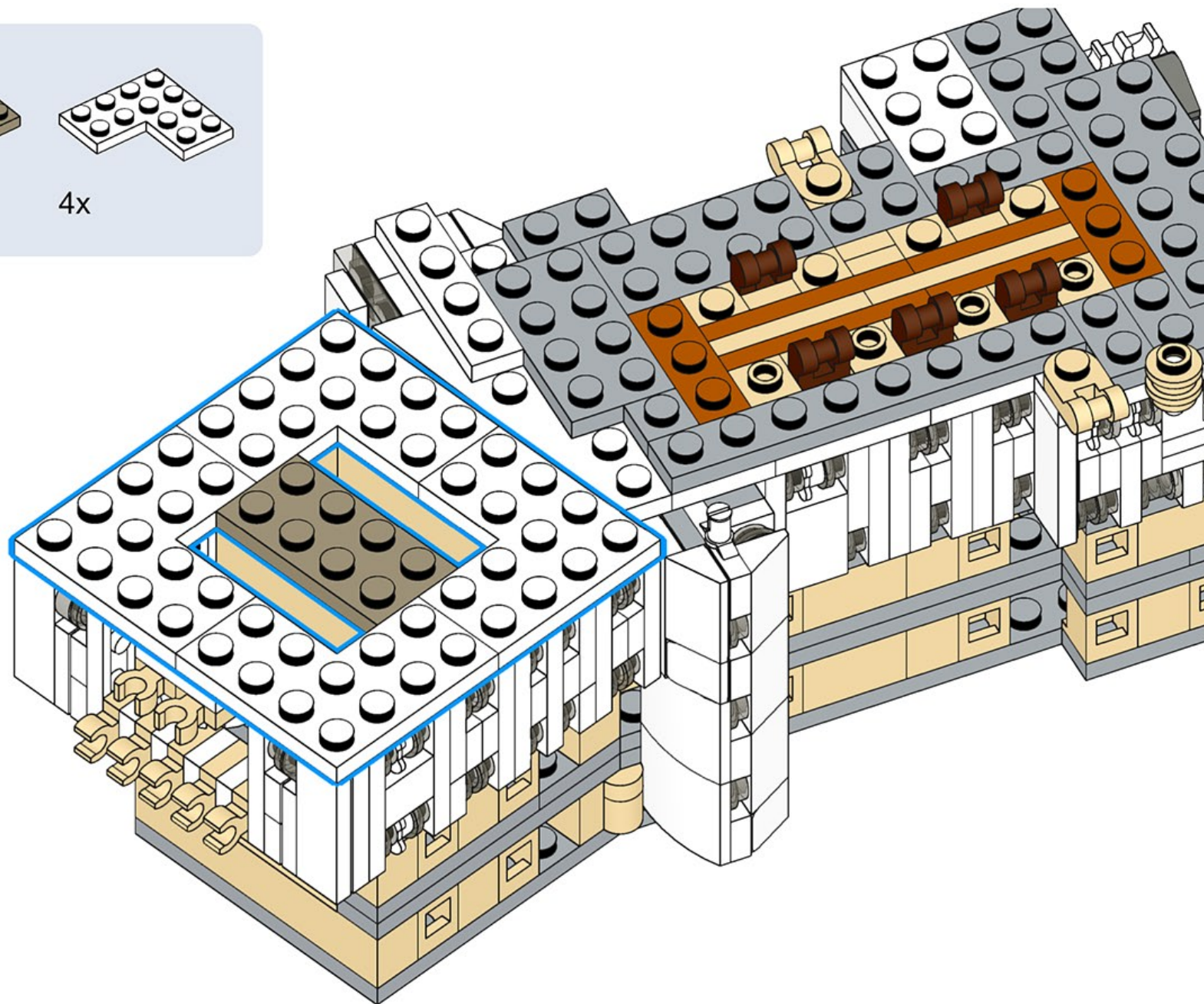
1234



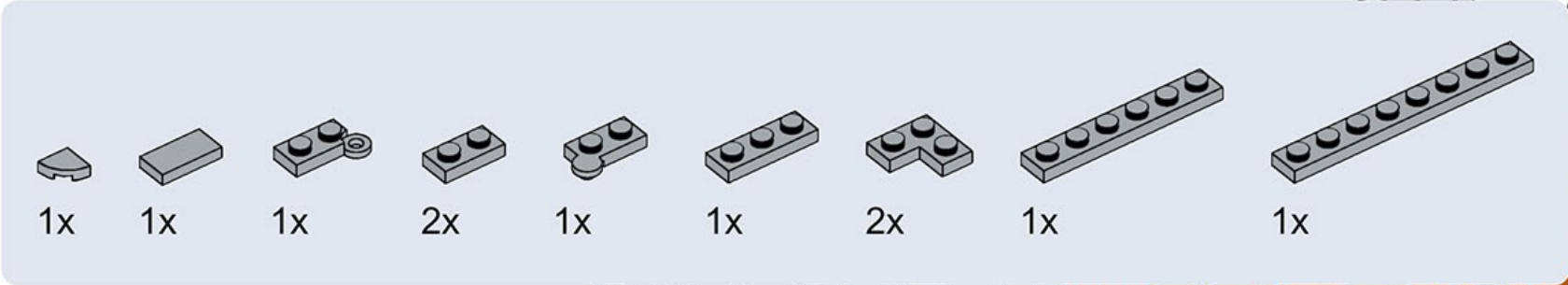
1x



4x

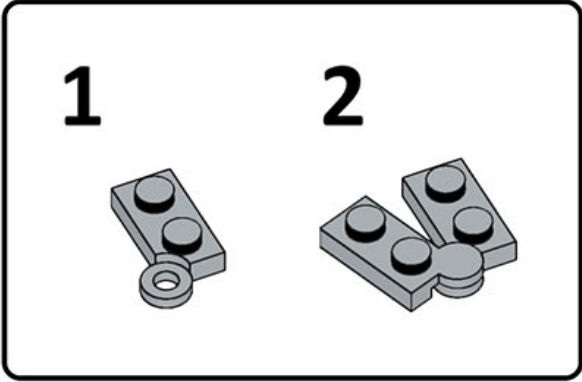
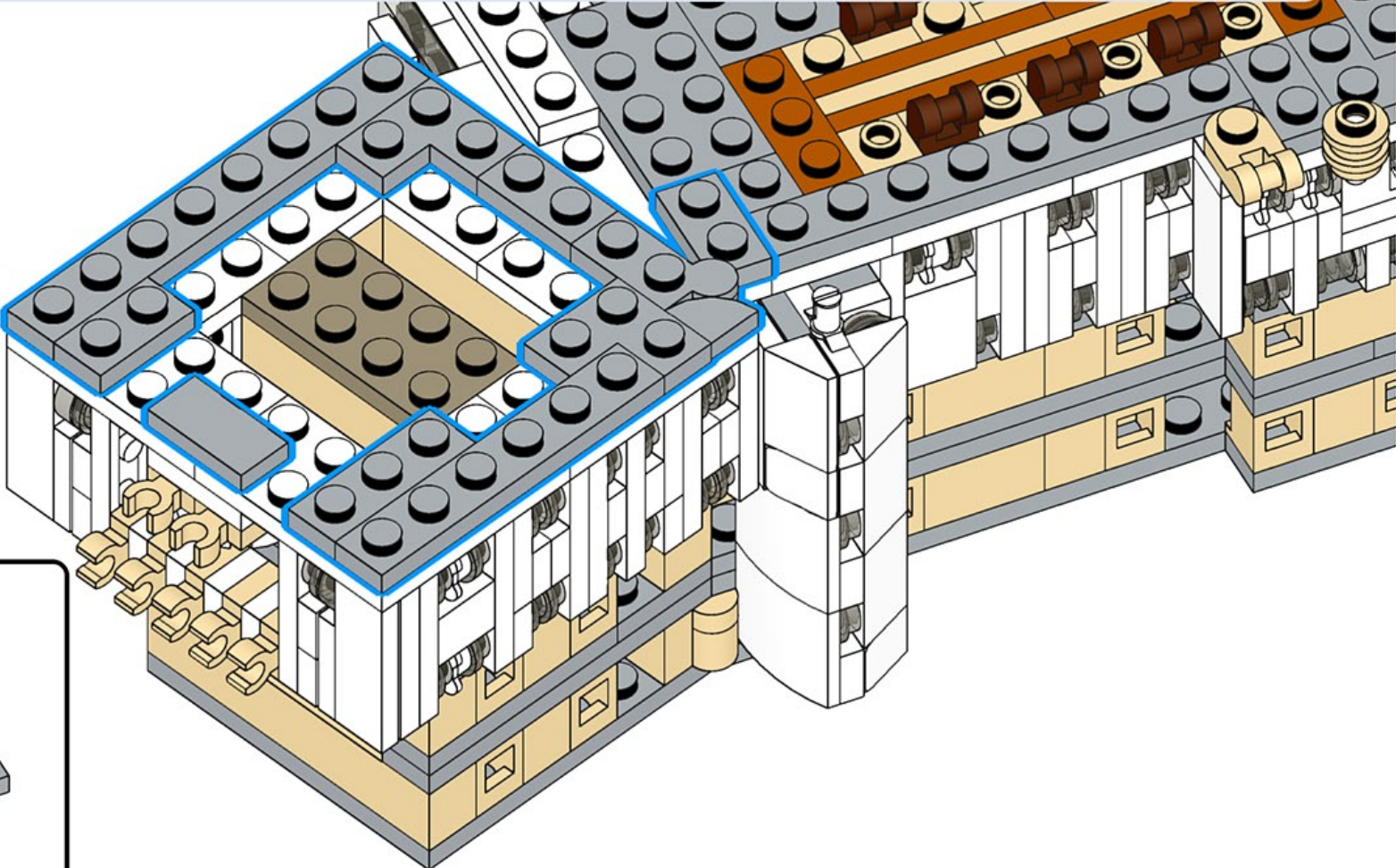


1235



1x 1x 1x 2x 1x 1x 2x 1x 1x






This block contains a list of nine LEGO parts with their respective quantities. From left to right: a grey 1/2 Technic brick (1x), a grey 1x Technic brick (1x), a grey 1x Technic brick with a hole (1x), a grey 2x Technic brick (2x), a grey 1x Technic brick with a hole (1x), a grey 1x Technic brick (1x), a grey 2x Technic brick with a hole (2x), a grey 1x Technic brick (1x), and a grey 1x Technic brick (1x).

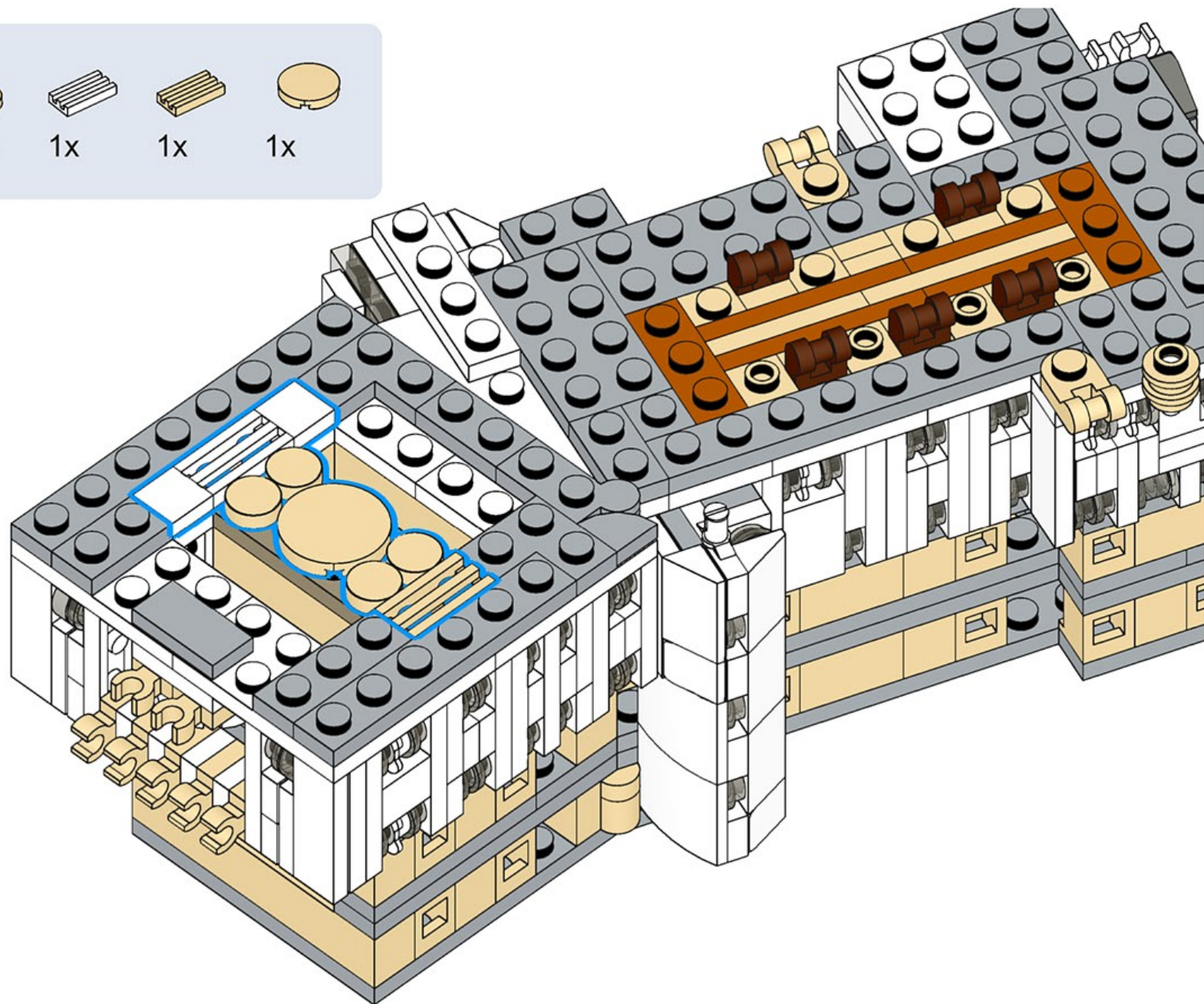


1 2

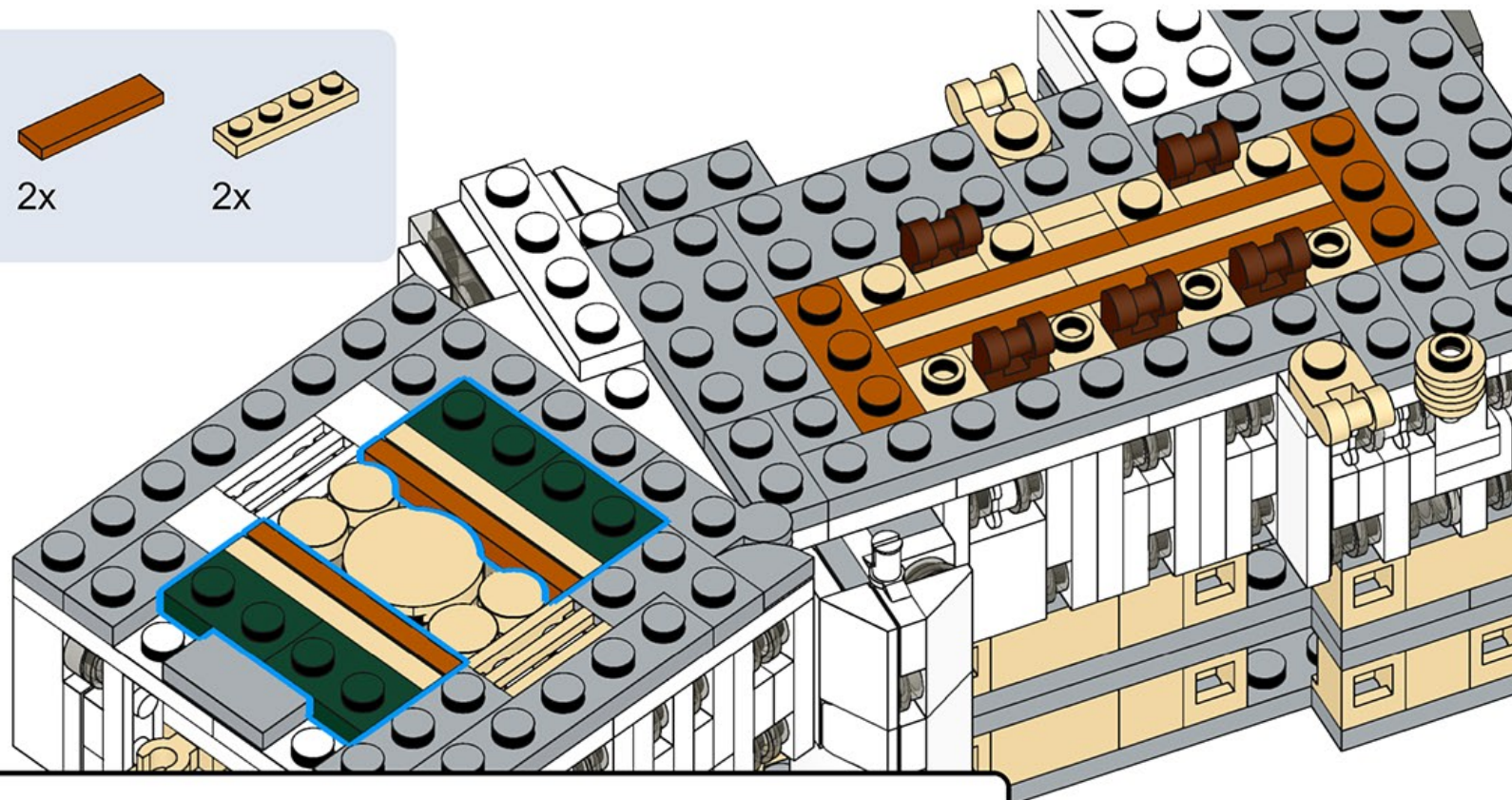
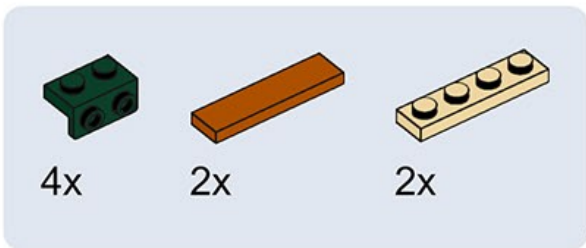
This inset box shows two specific assembly steps. Step 1 shows a grey 1x Technic brick with a hole being placed on top of a grey 1x Technic brick. Step 2 shows a grey 1x Technic brick with a hole being placed on top of a grey 2x Technic brick.

1236

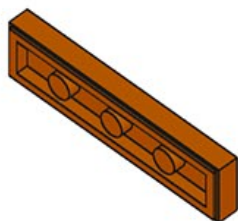
				
2x	4x	1x	1x	1x



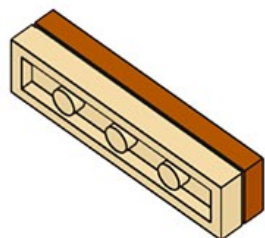
1237



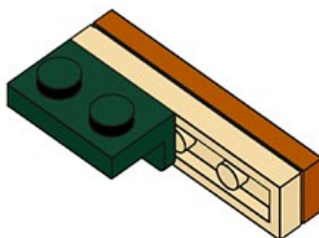
1



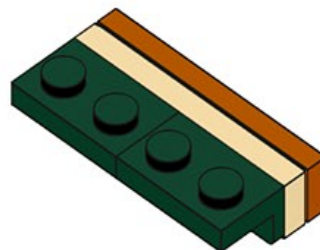
2



3



4



2x

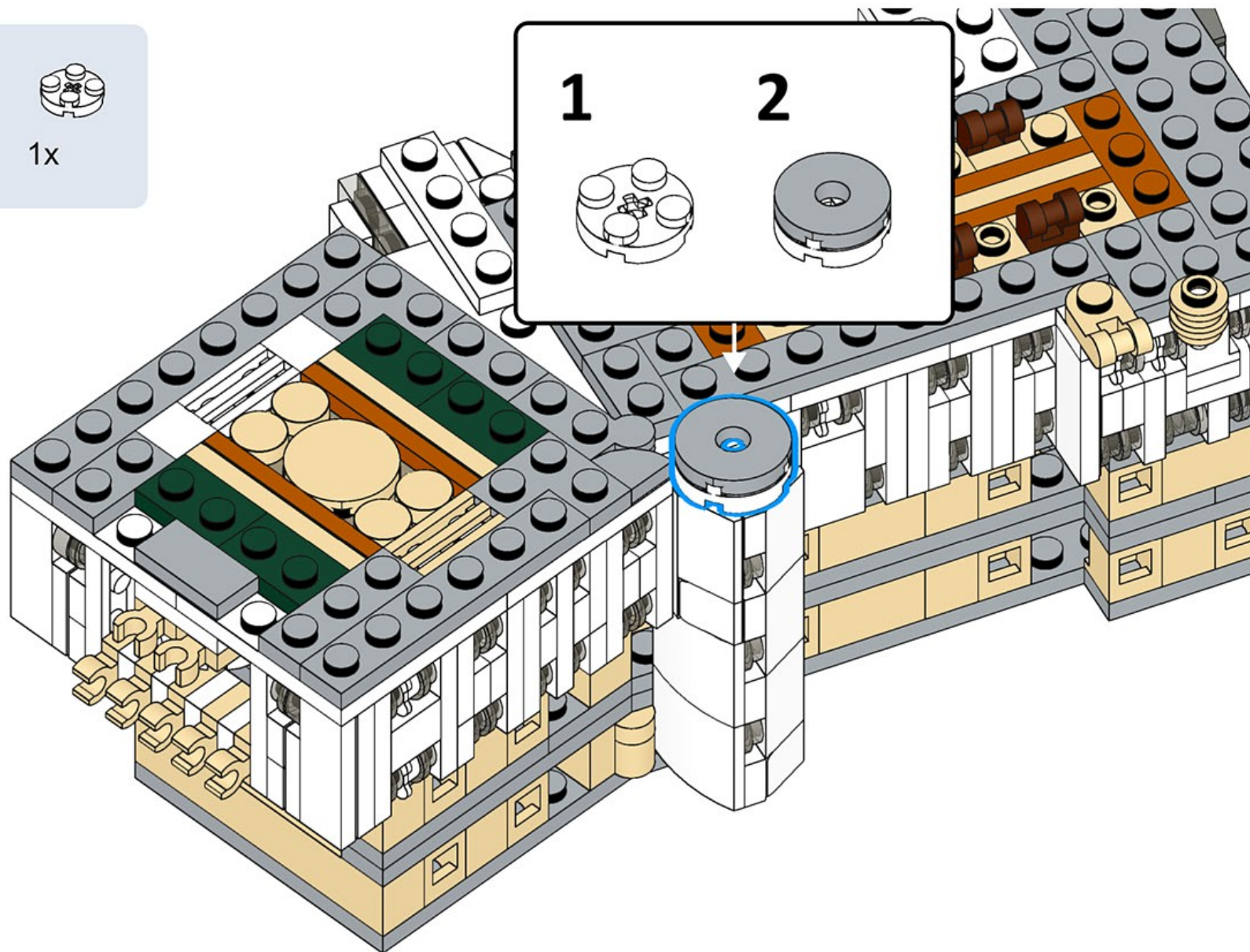
1238



1x

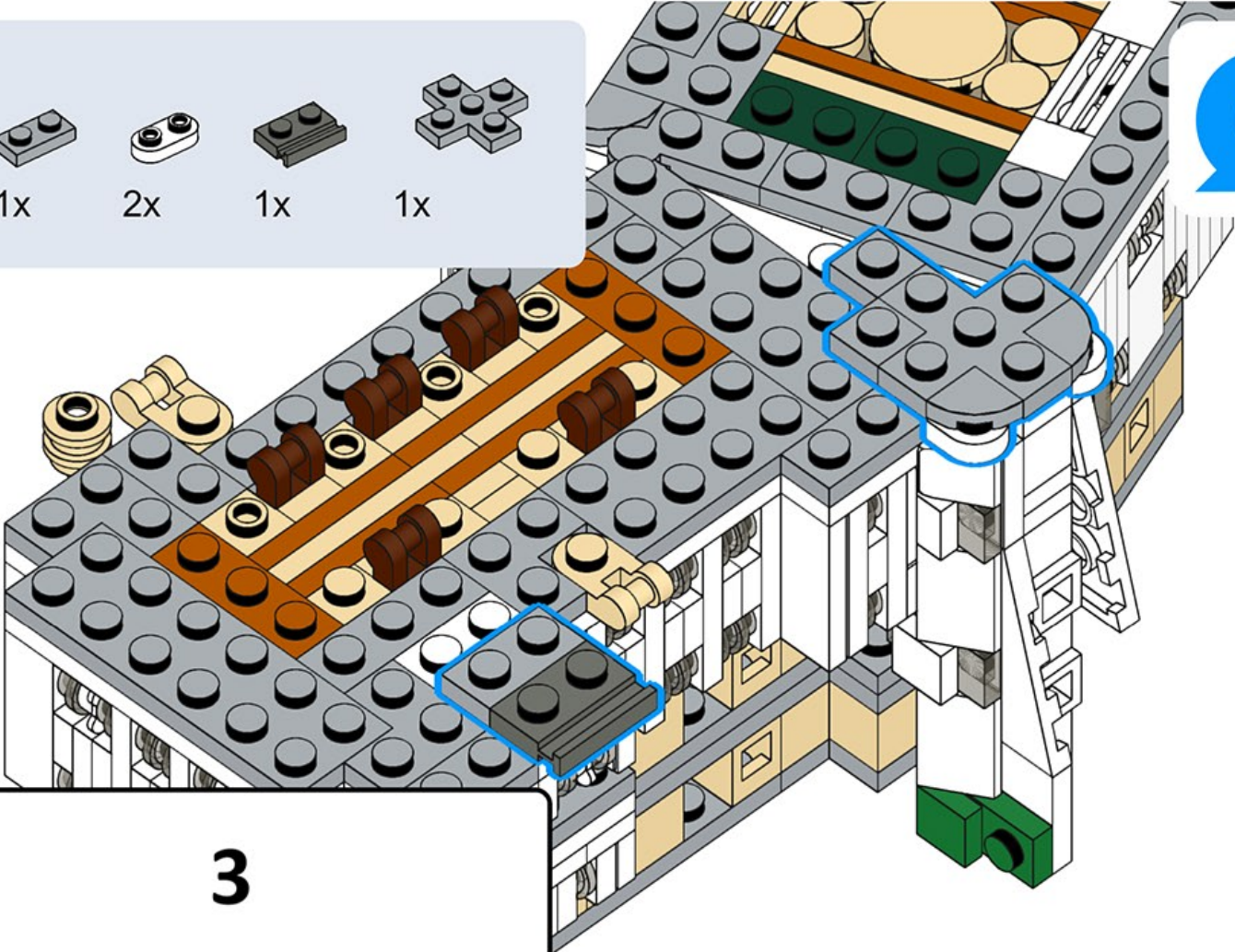


1x



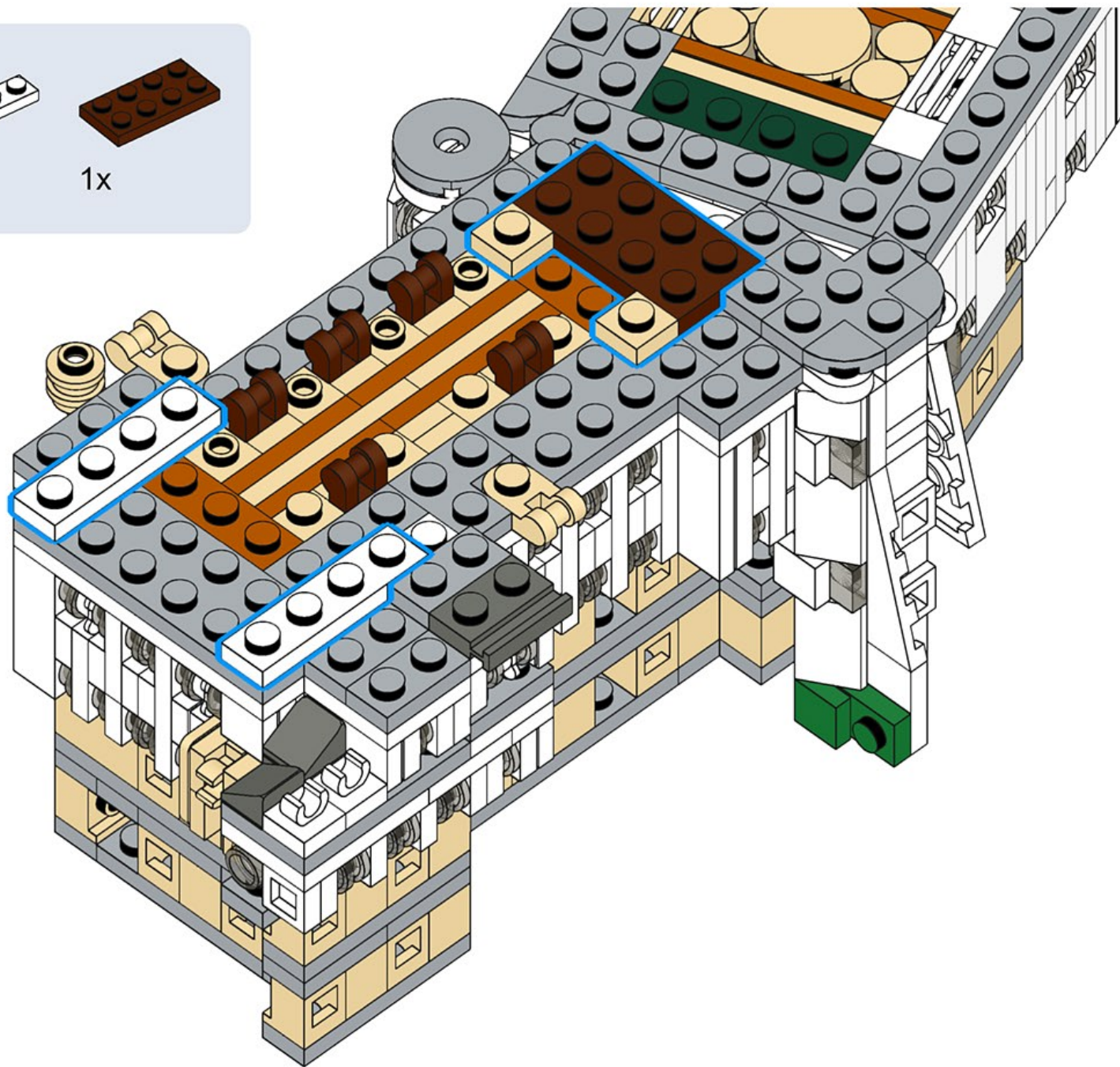
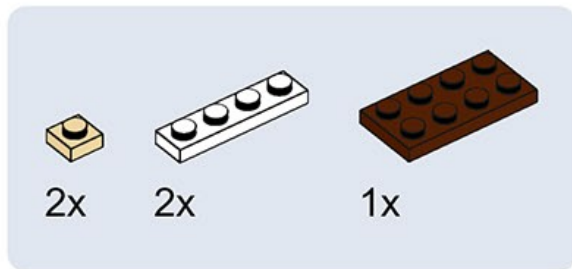
1239

2x 2x 1x 2x 1x 1x



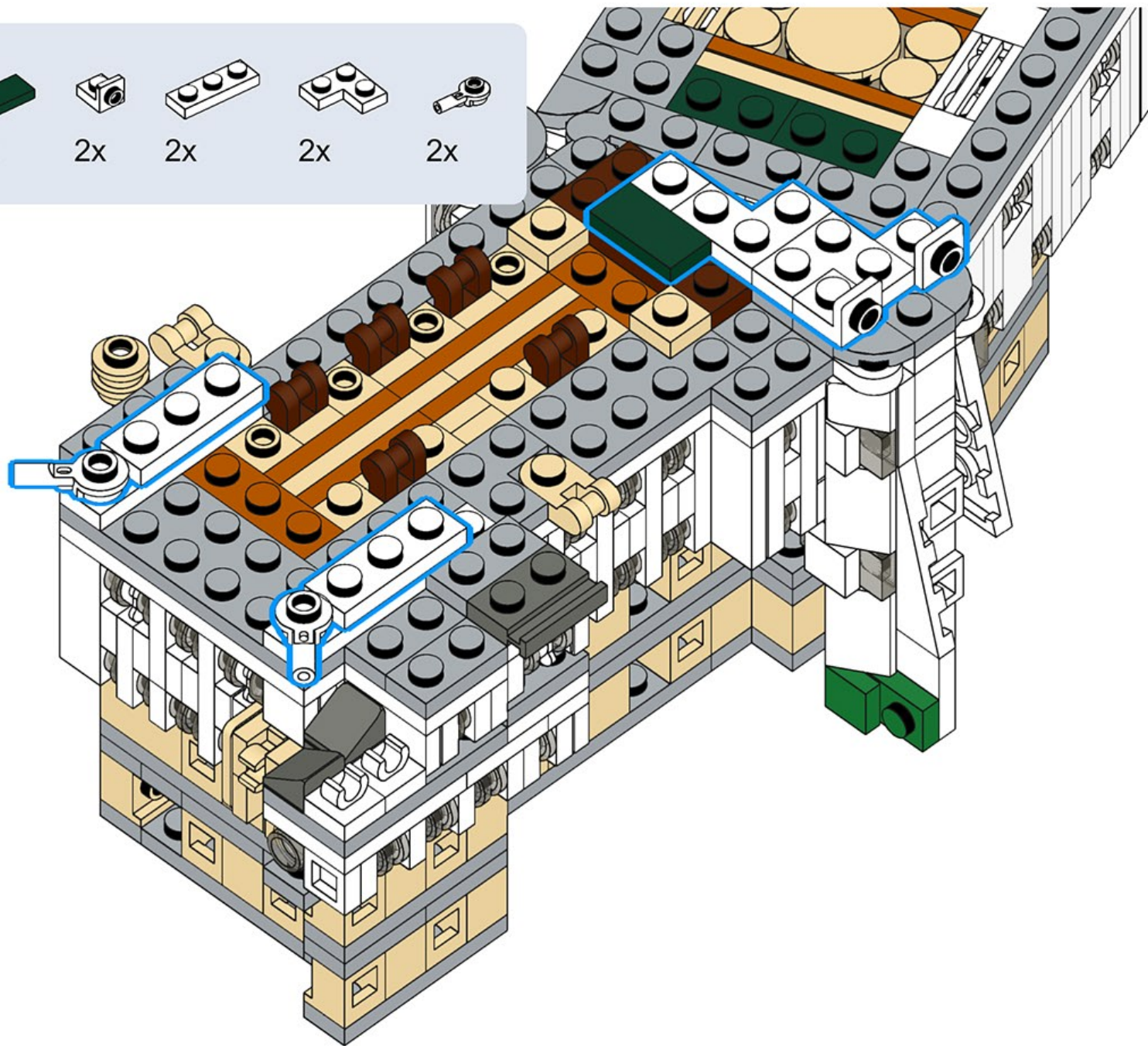
1 2 3

1240



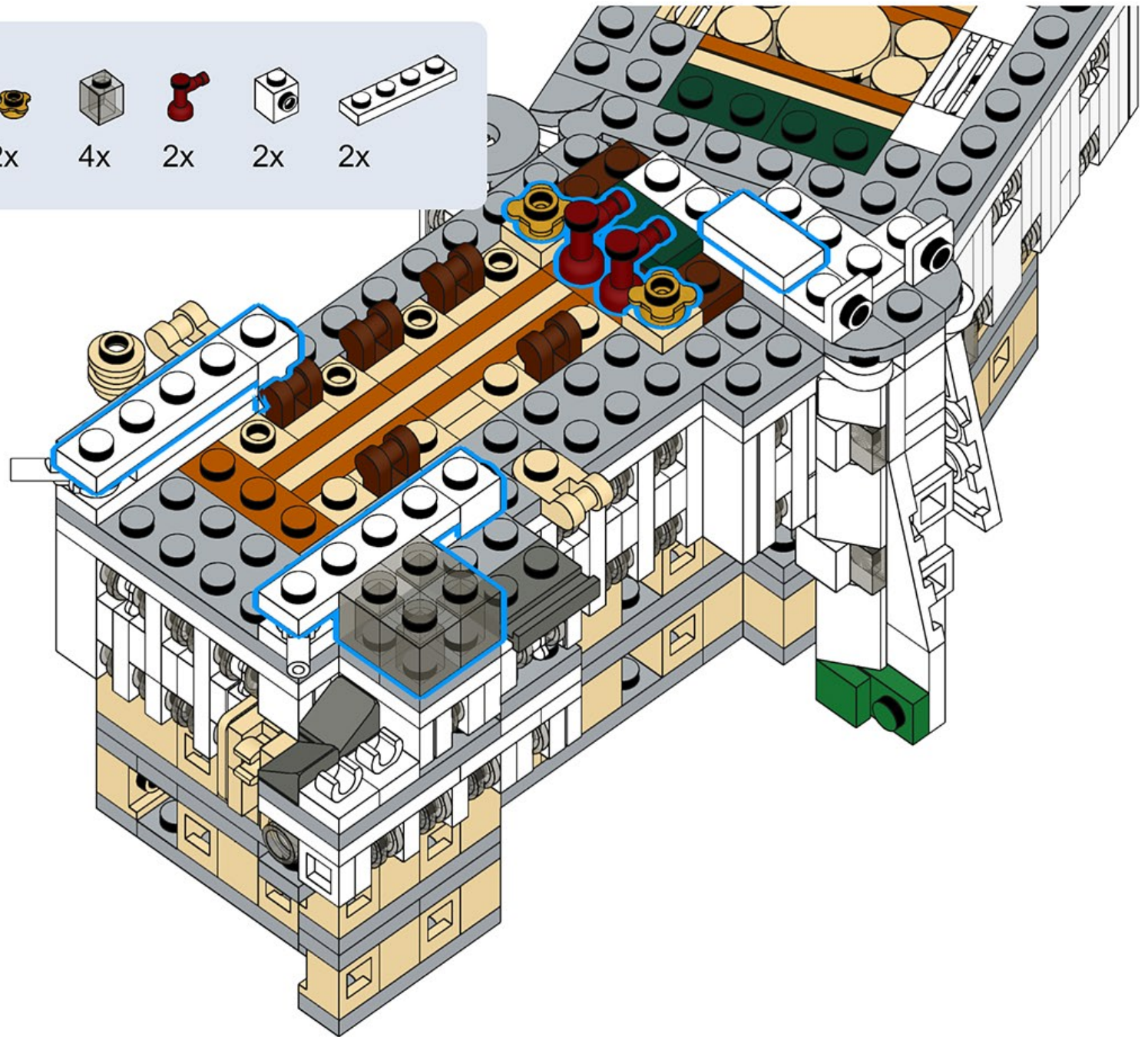
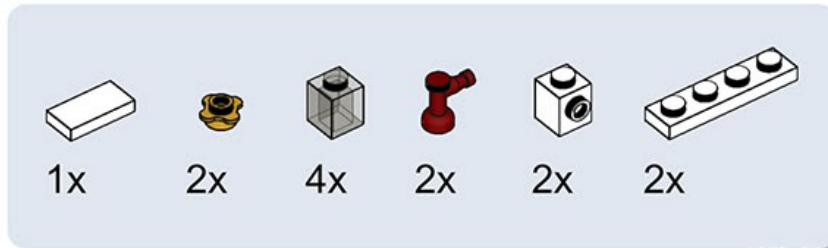
1241

1x	1x	2x	2x	2x	2x








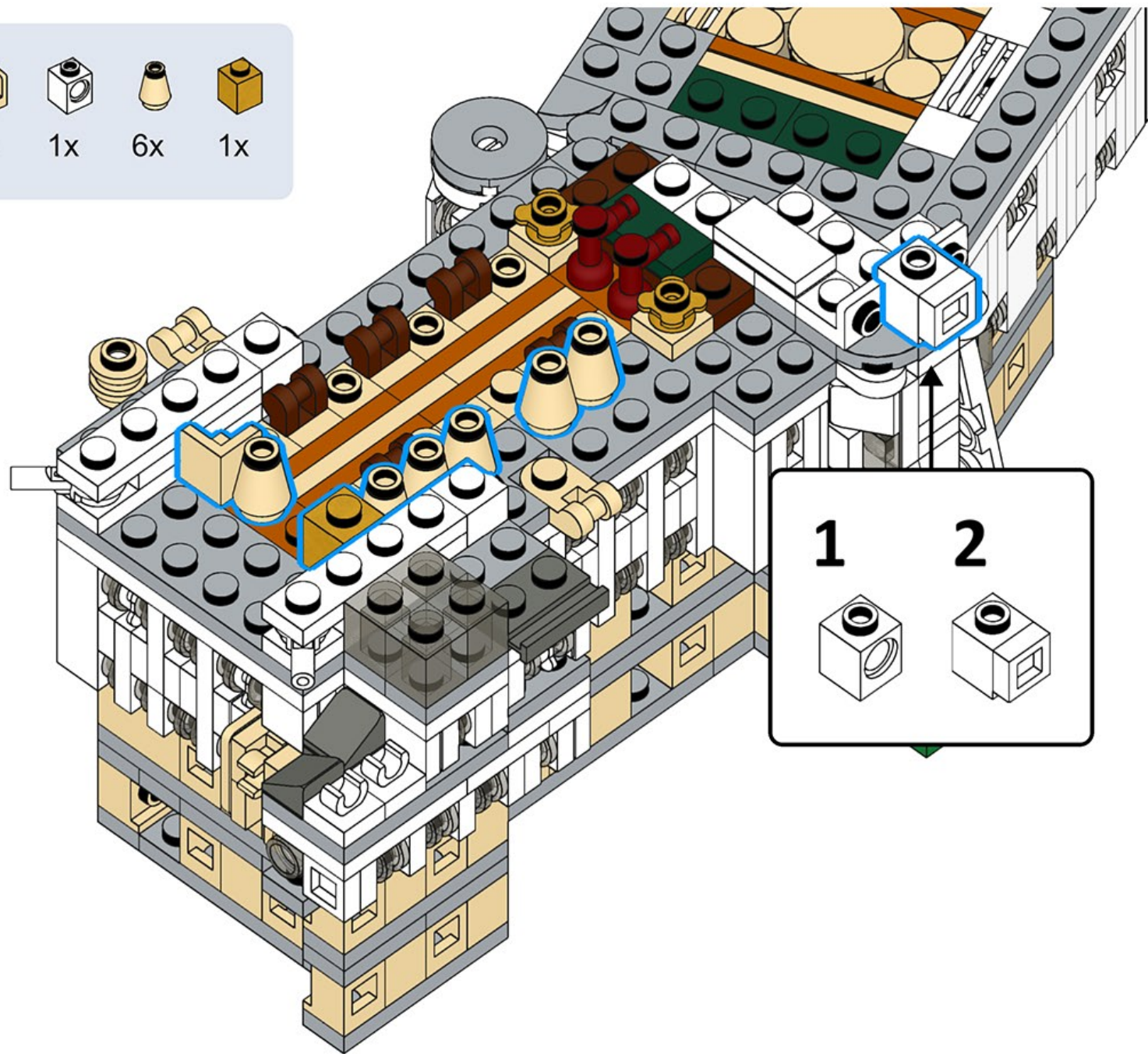
1242

1x 2x 4x 2x 2x 2x



1243

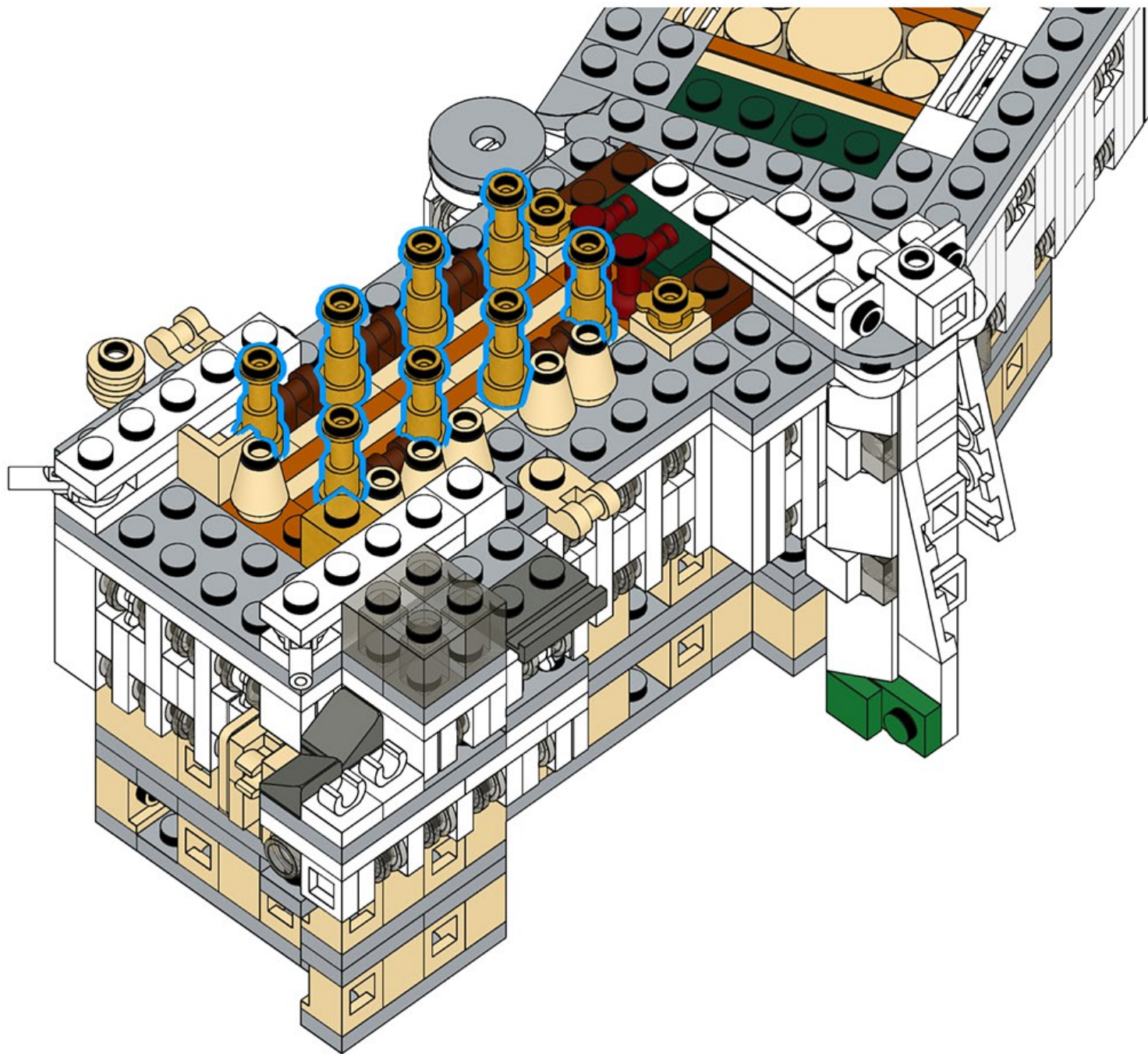
				
1x	1x	1x	6x	1x



1244



8x

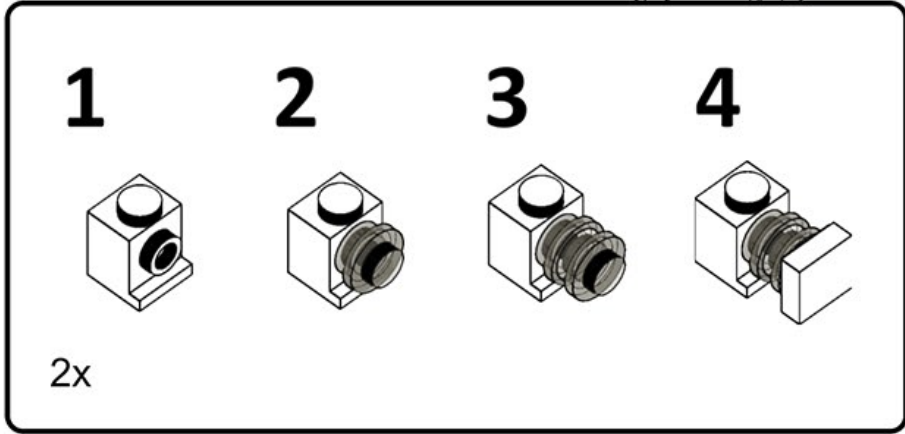


1245

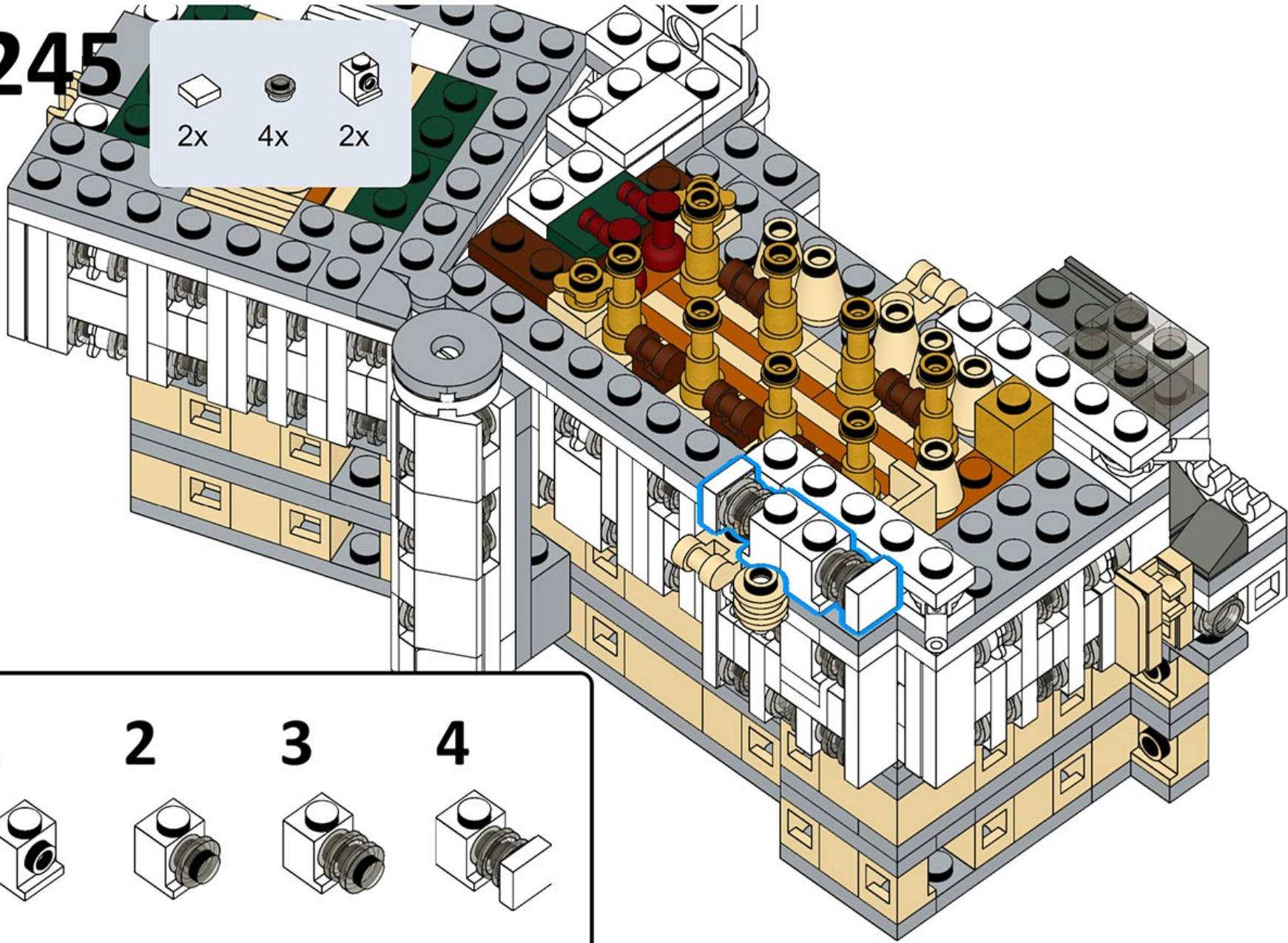
2x 4x 2x








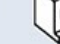

1 2 3 4

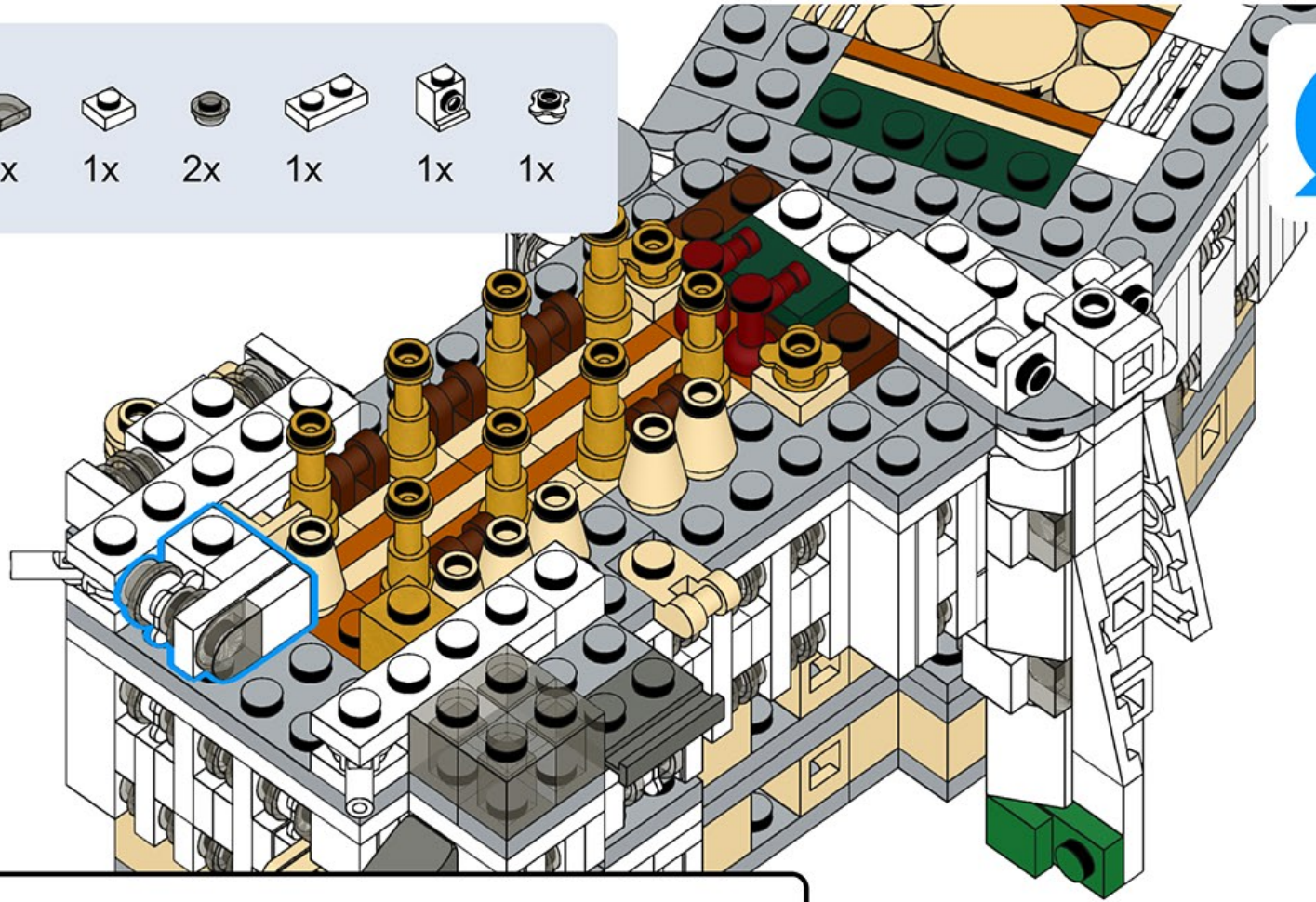




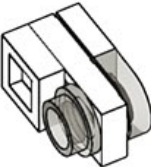
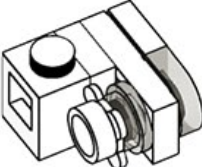
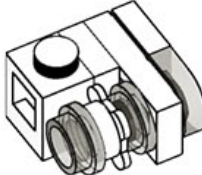
2x










1246

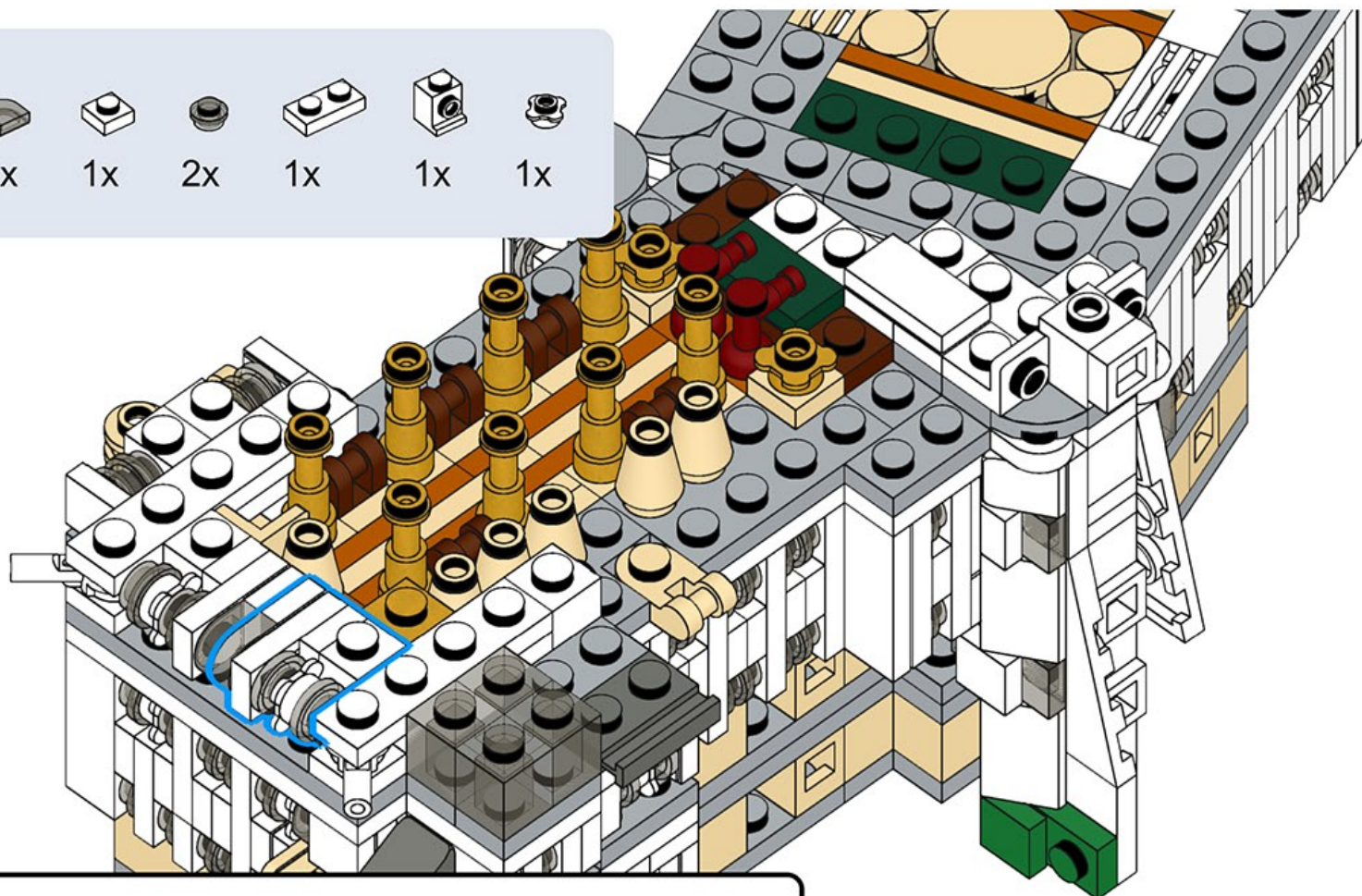
						
1x	1x	1x	2x	1x	1x	1x


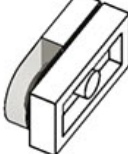
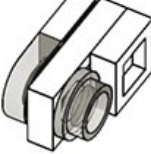
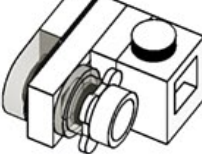
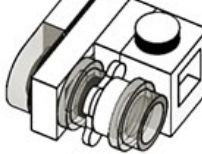


1	2	3	4	5
				




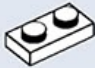

1247

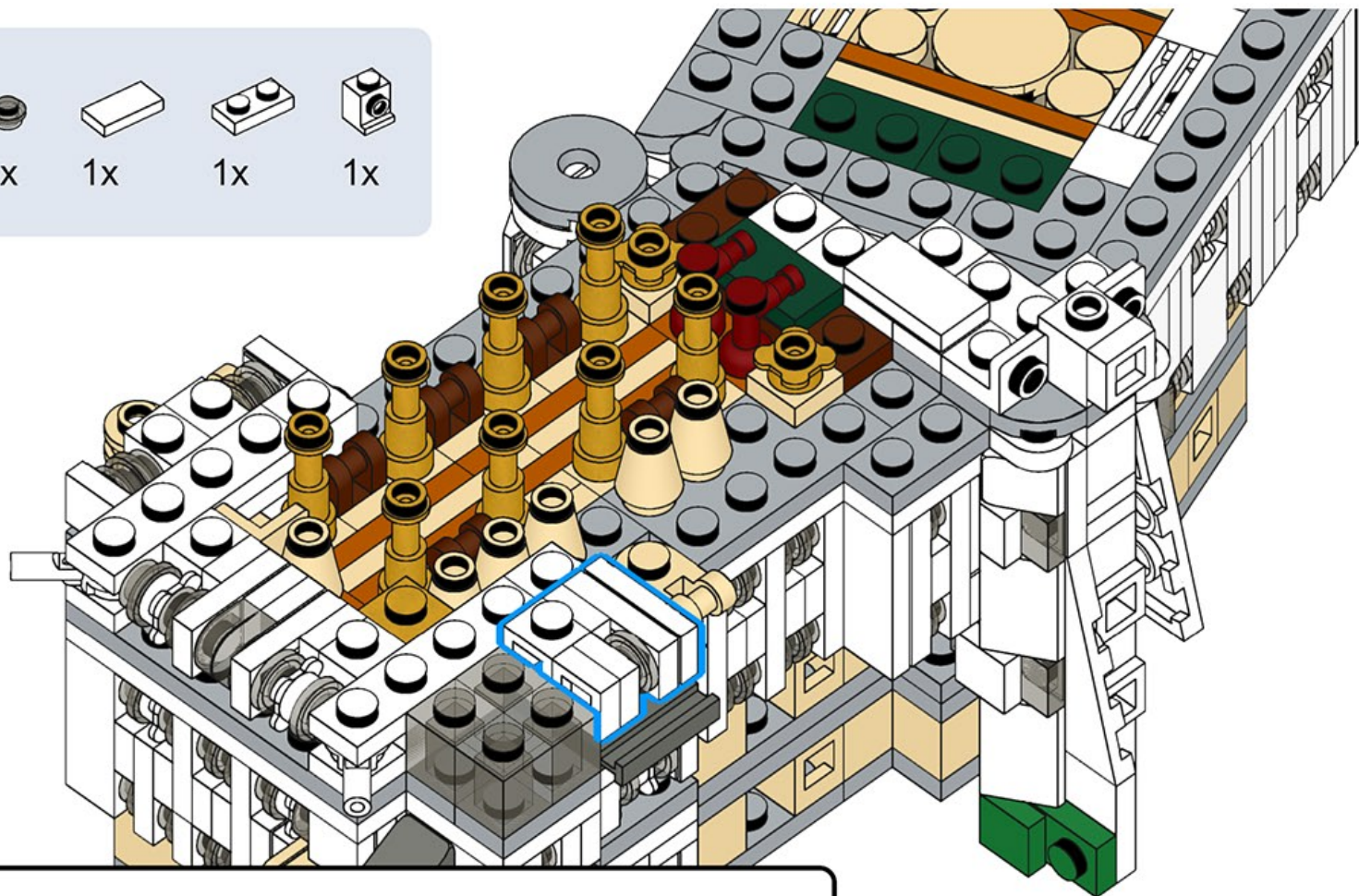
						
1x	1x	1x	2x	1x	1x	1x

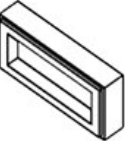
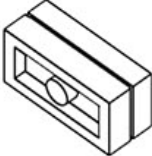
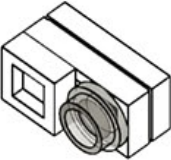
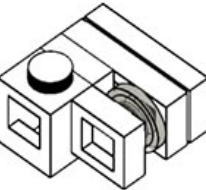
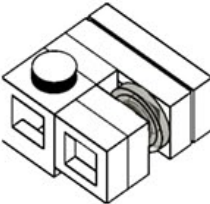


1	2	3	4	5
				

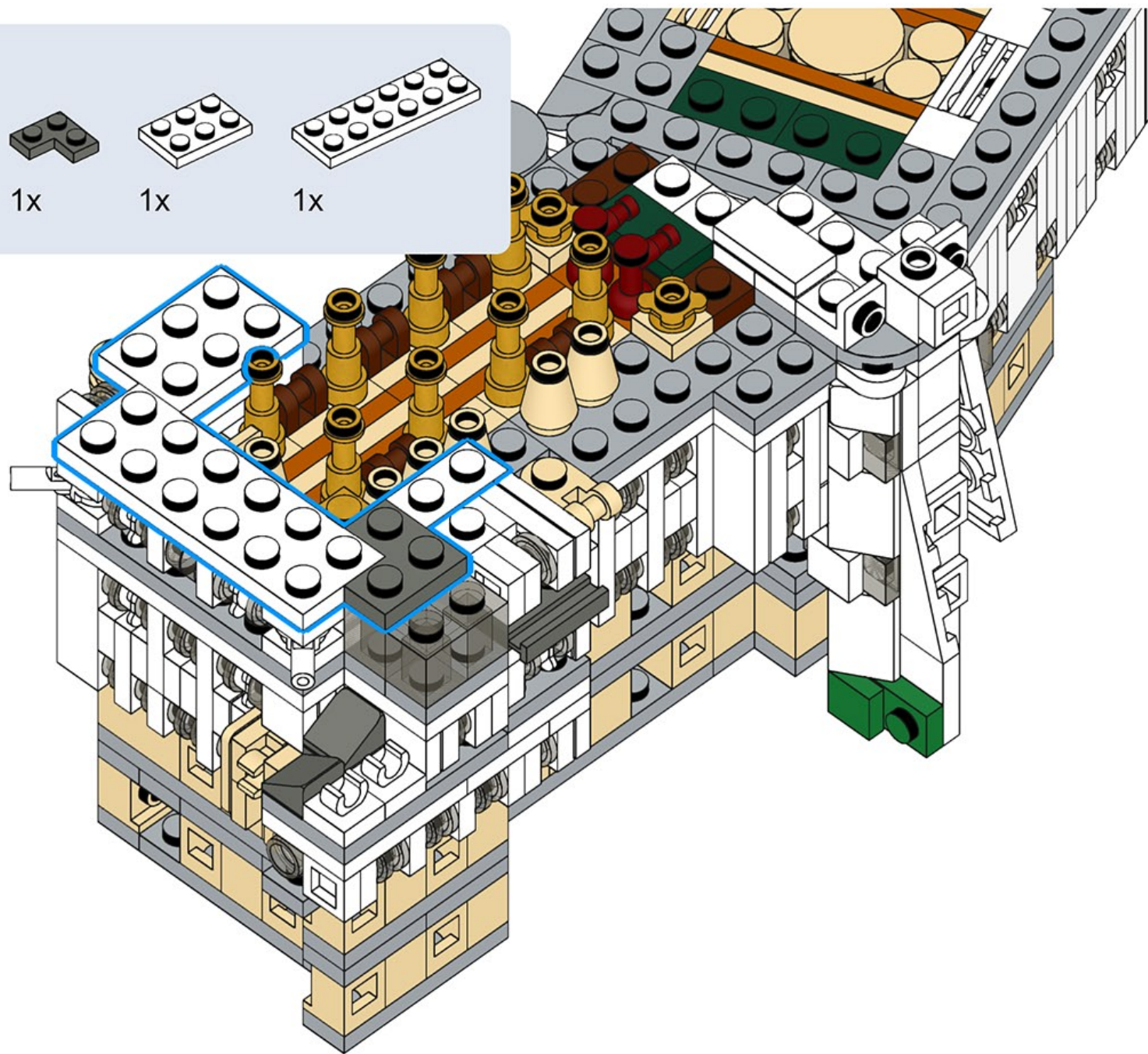
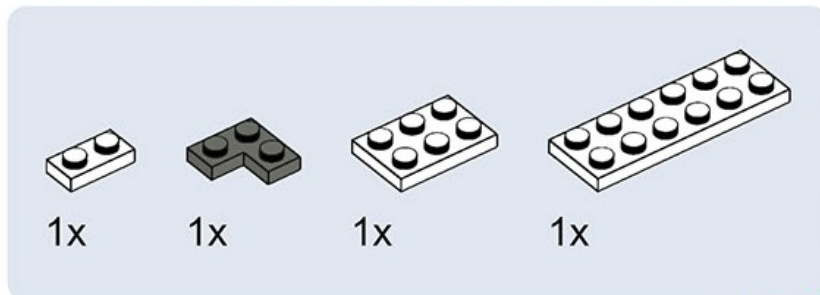
1248

				
3x	1x	1x	1x	1x



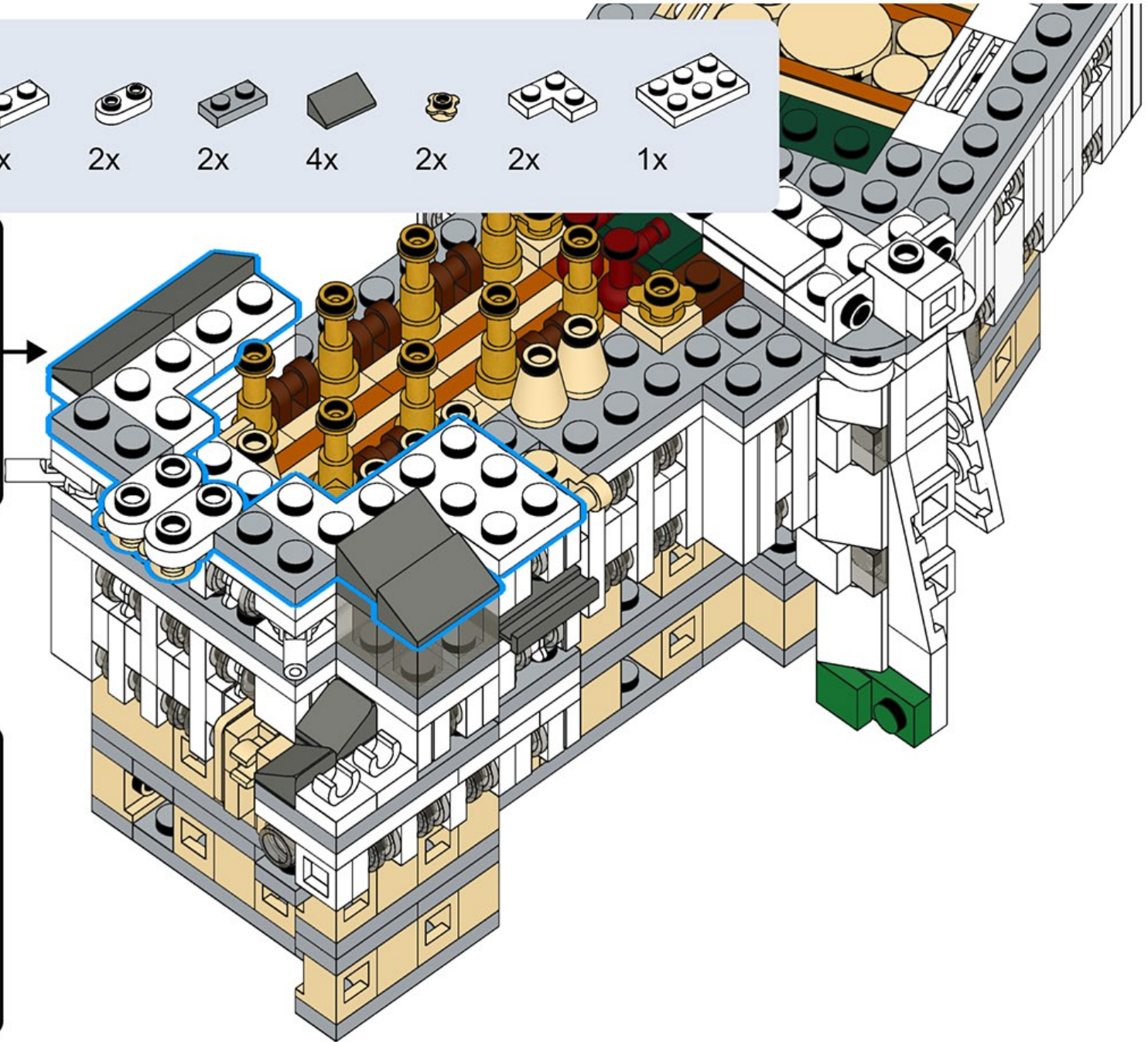
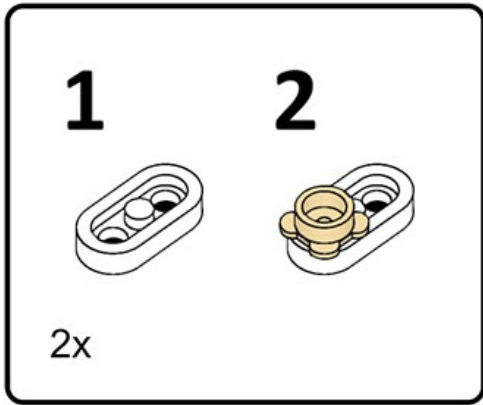
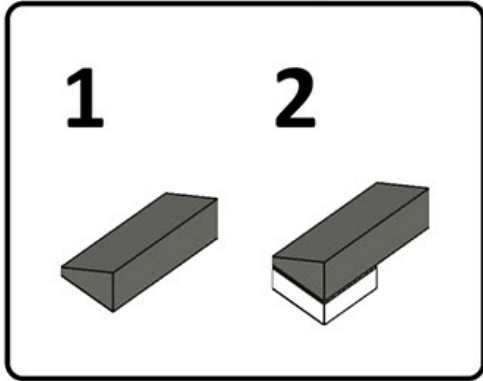
1	2	3	4	5
				

1249



1250

- 1x
- 1x
- 2x
- 2x
- 4x
- 2x
- 2x
- 1x



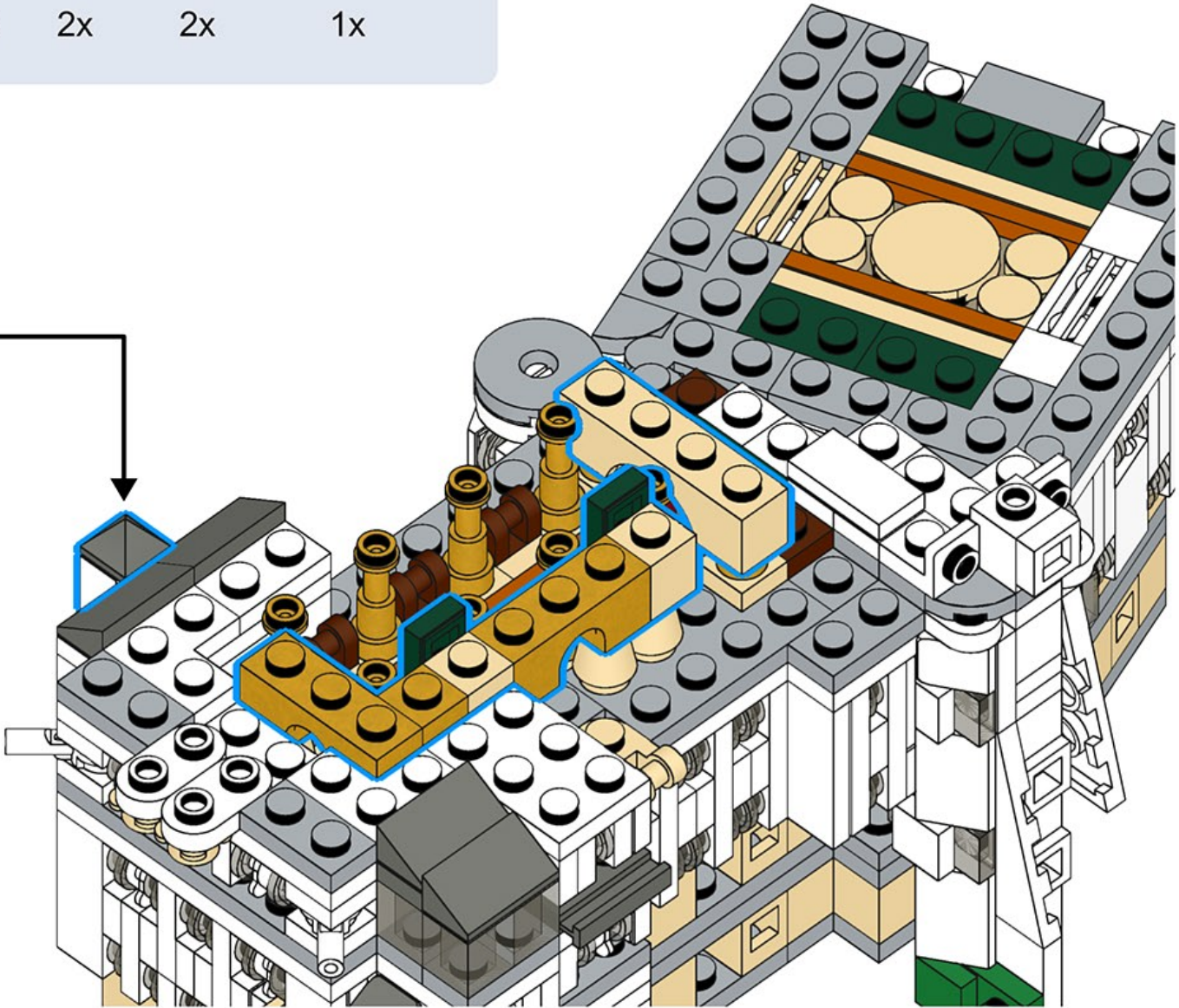
1251

1x 1x 1x 2x 2x 2x 1x

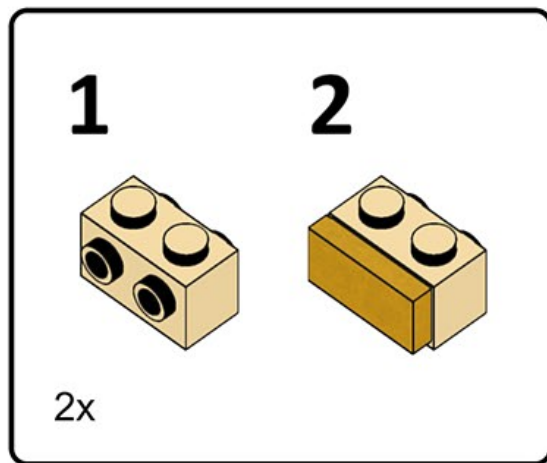
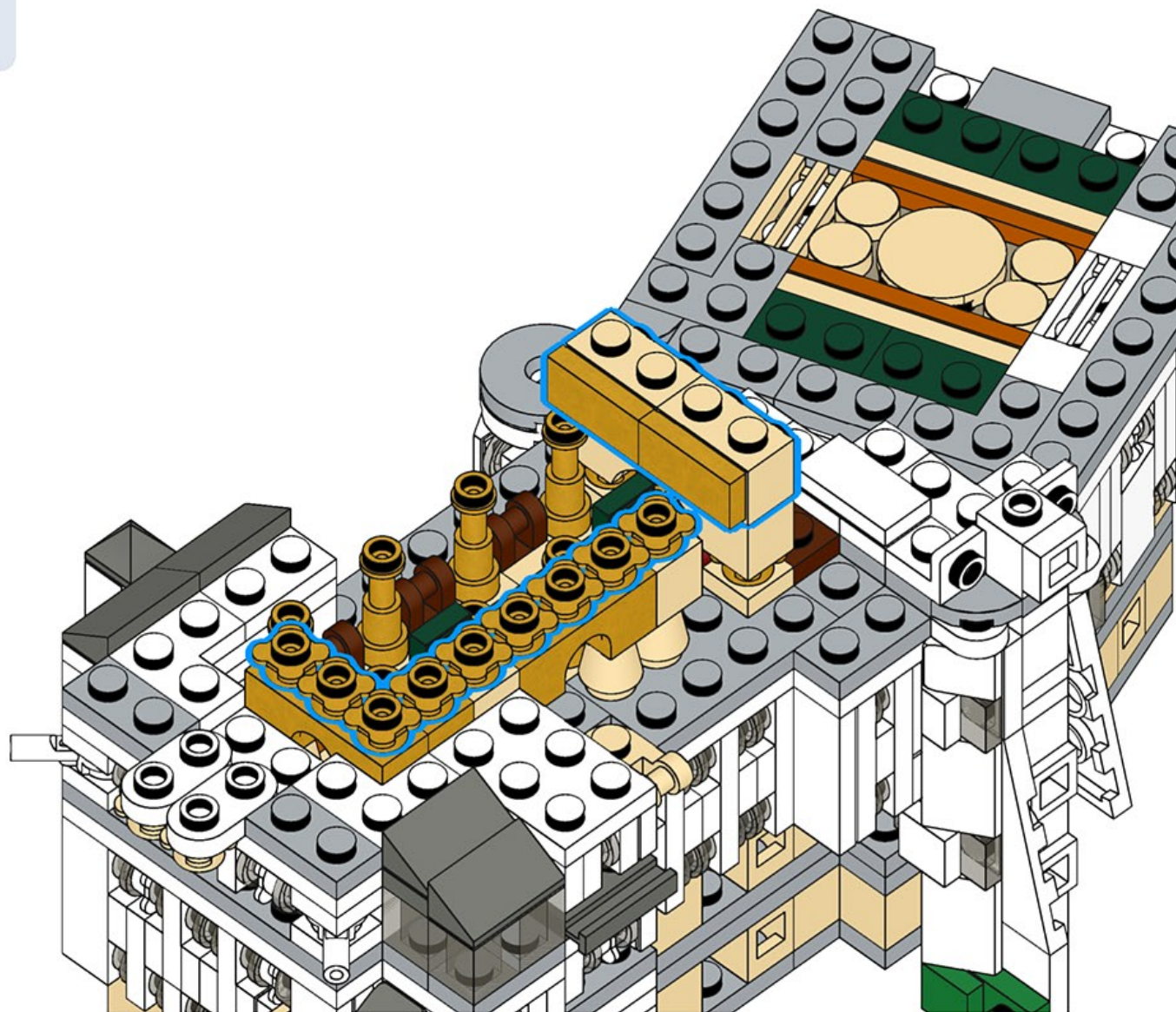
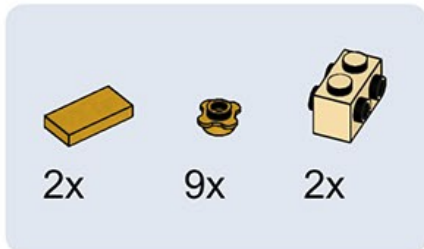
1 2

1 2

2x



1252



1253



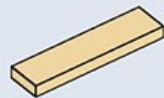
1x



3x

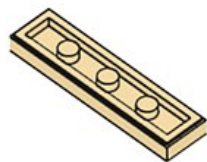


1x



1x

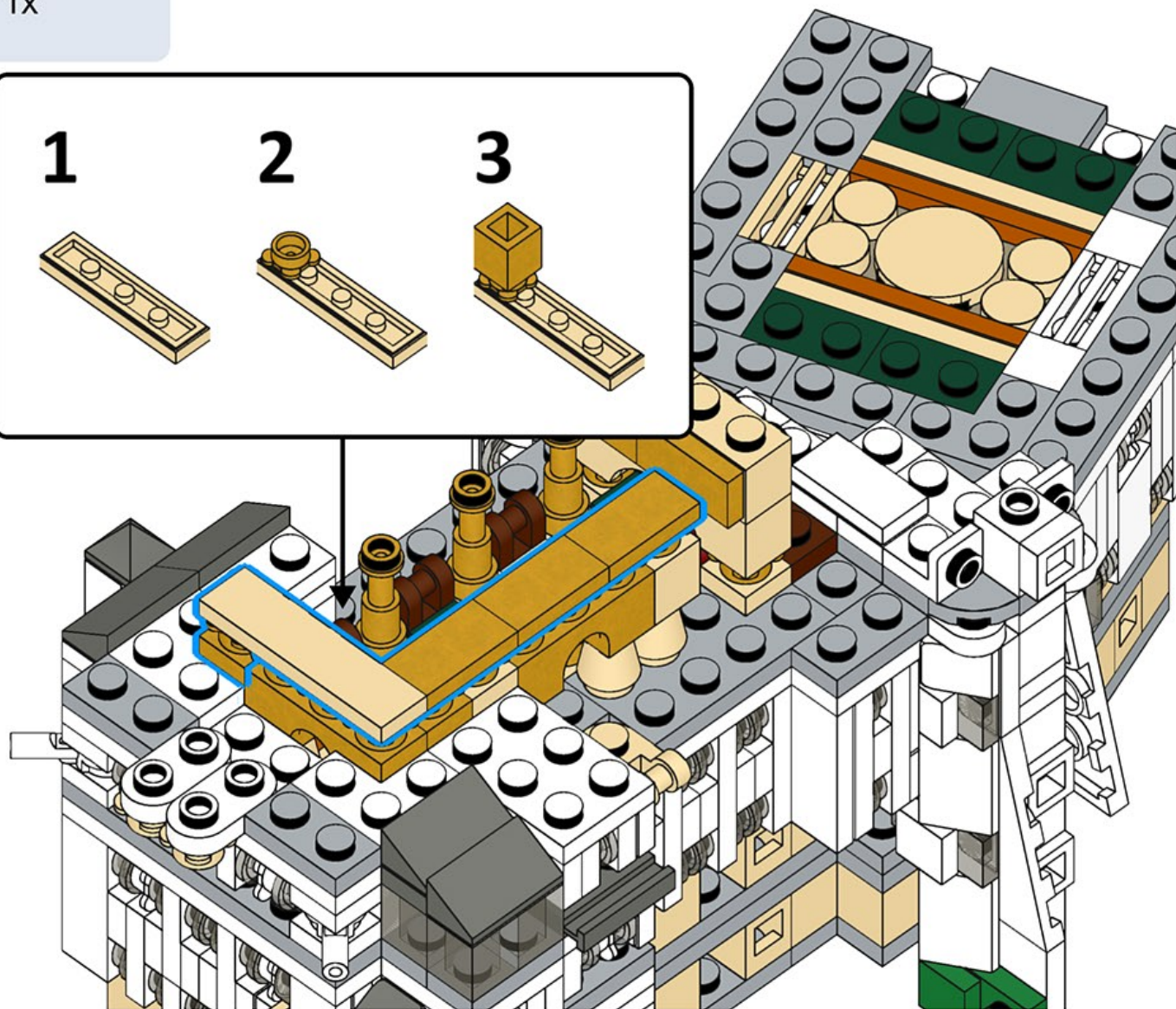
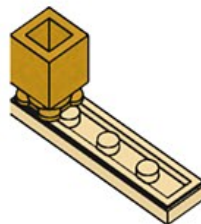
1



2



3



1254

