

# Blue Brixx

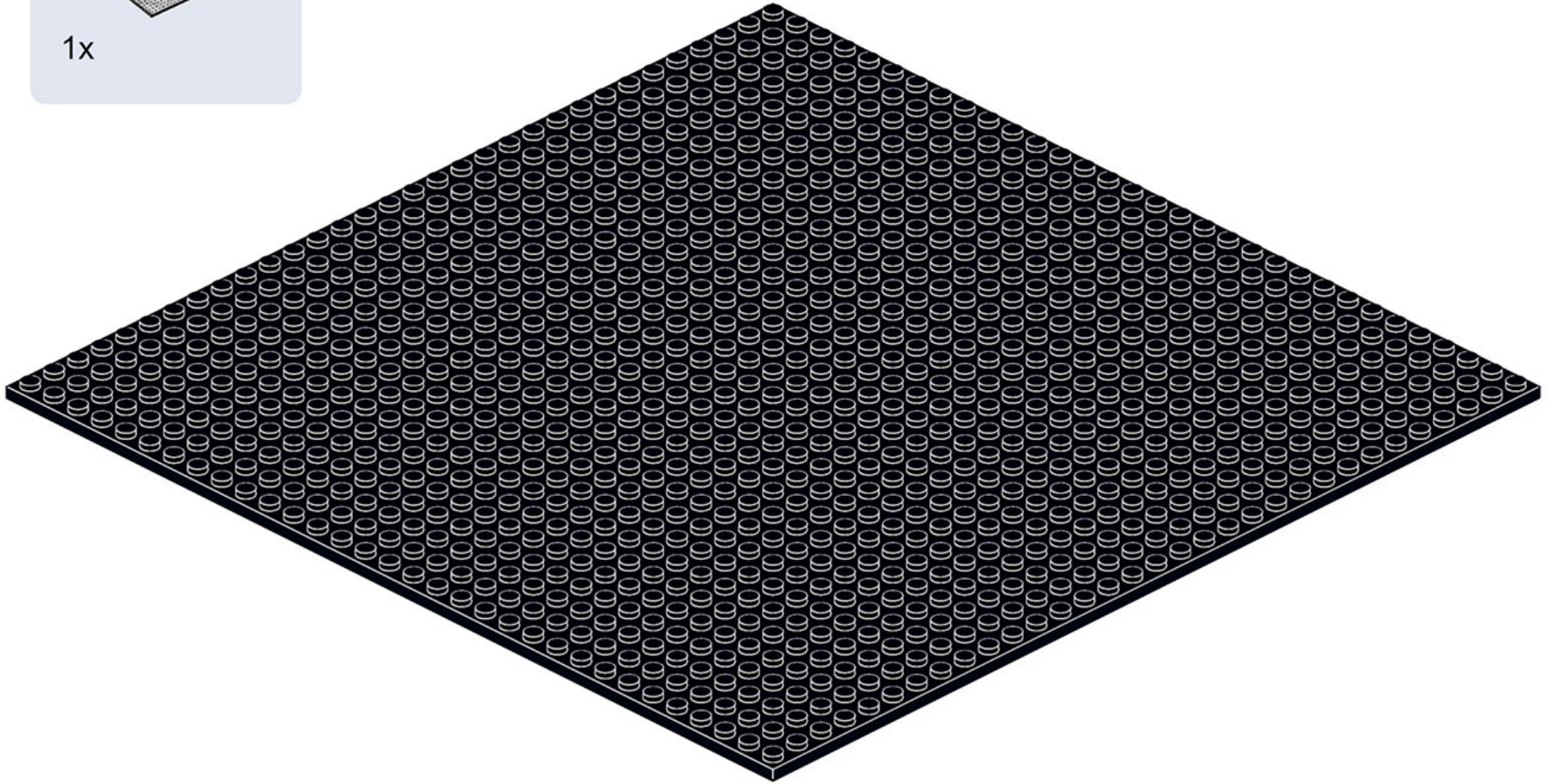
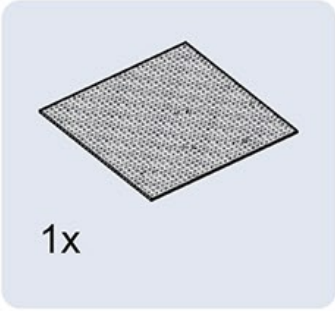
*Specials*

 *Castle Neuschwanstein*

 *Schloss Neuschwanstein*



1





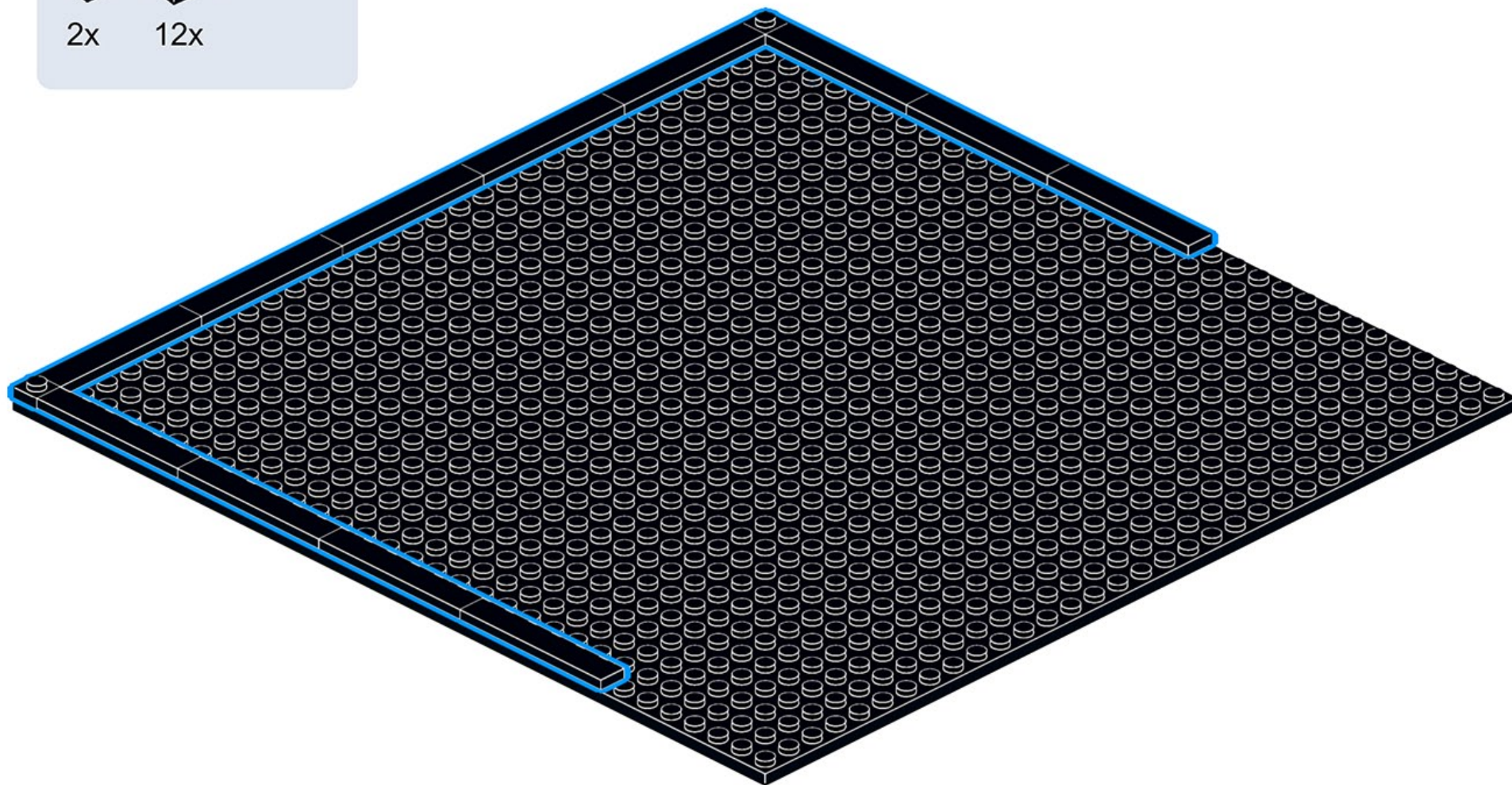
2



2x



12x





# 3



2x



2x



1x



1x



19x



4x



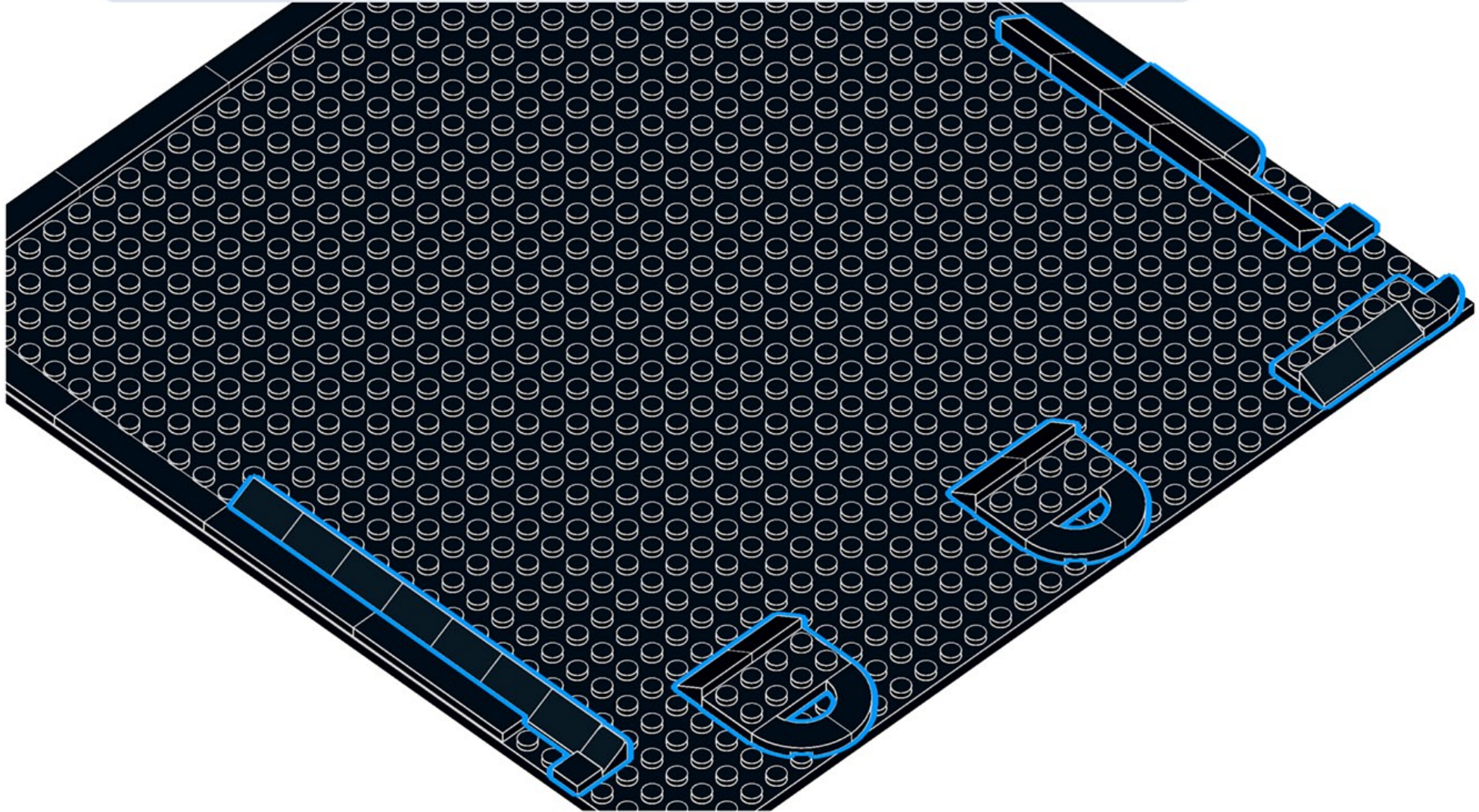
1x



1x



2x





4



2x



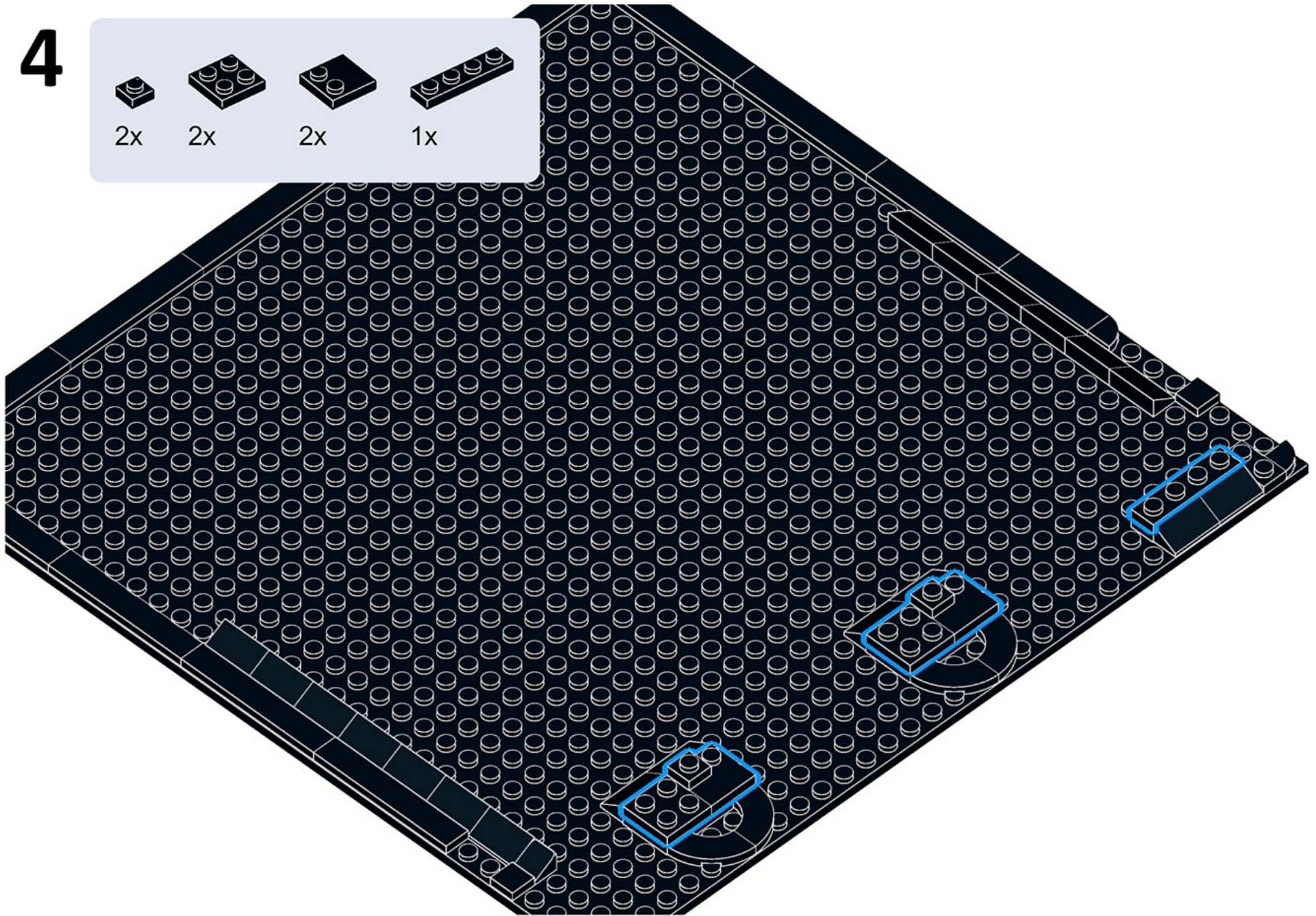
2x



2x



1x





5



1x



1x



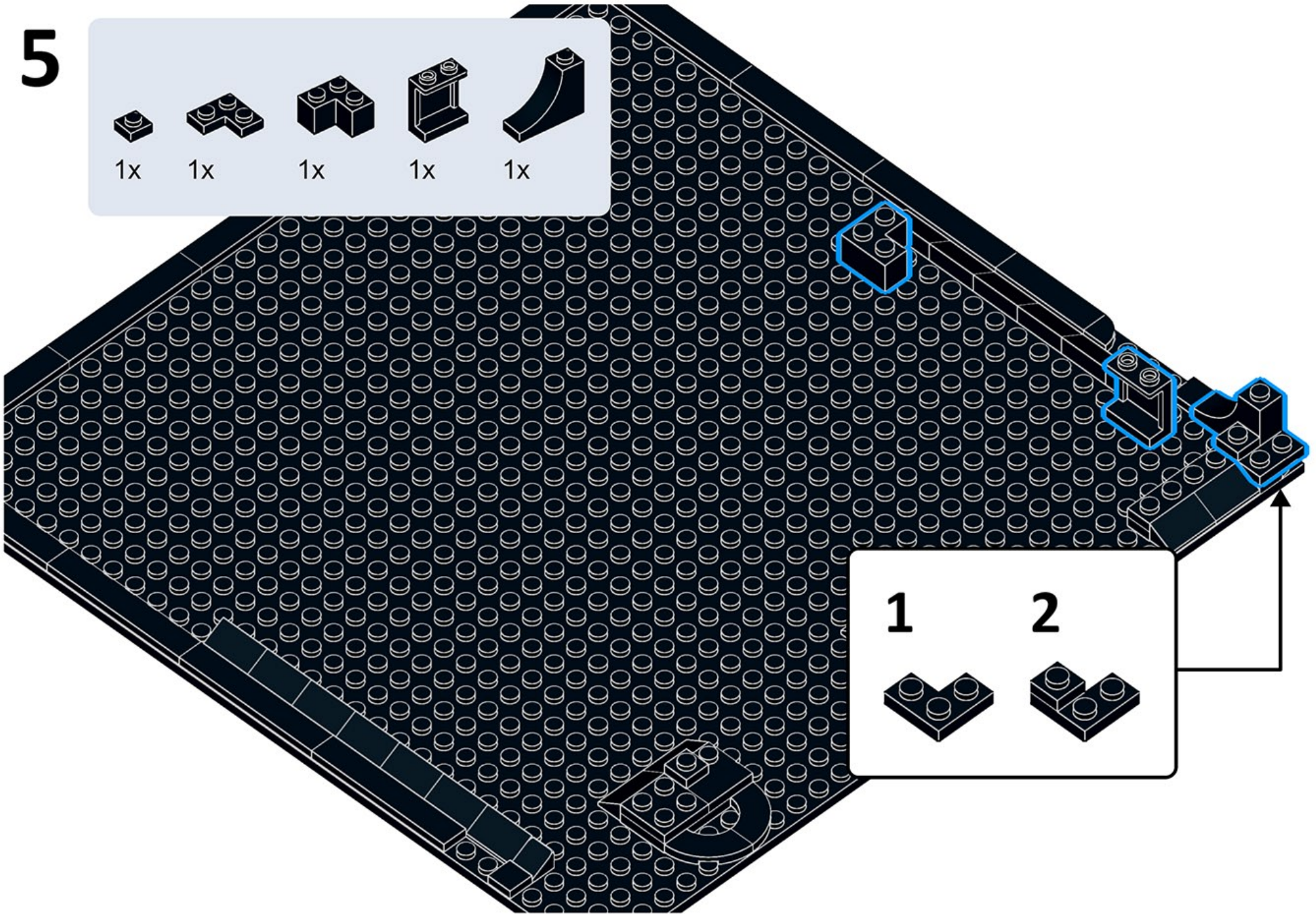
1x



1x



1x



1



2





# 6



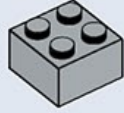
1x



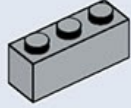
3x



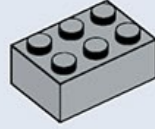
1x



2x



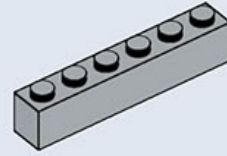
1x



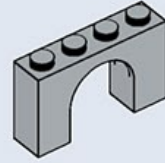
1x



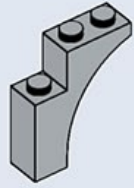
1x



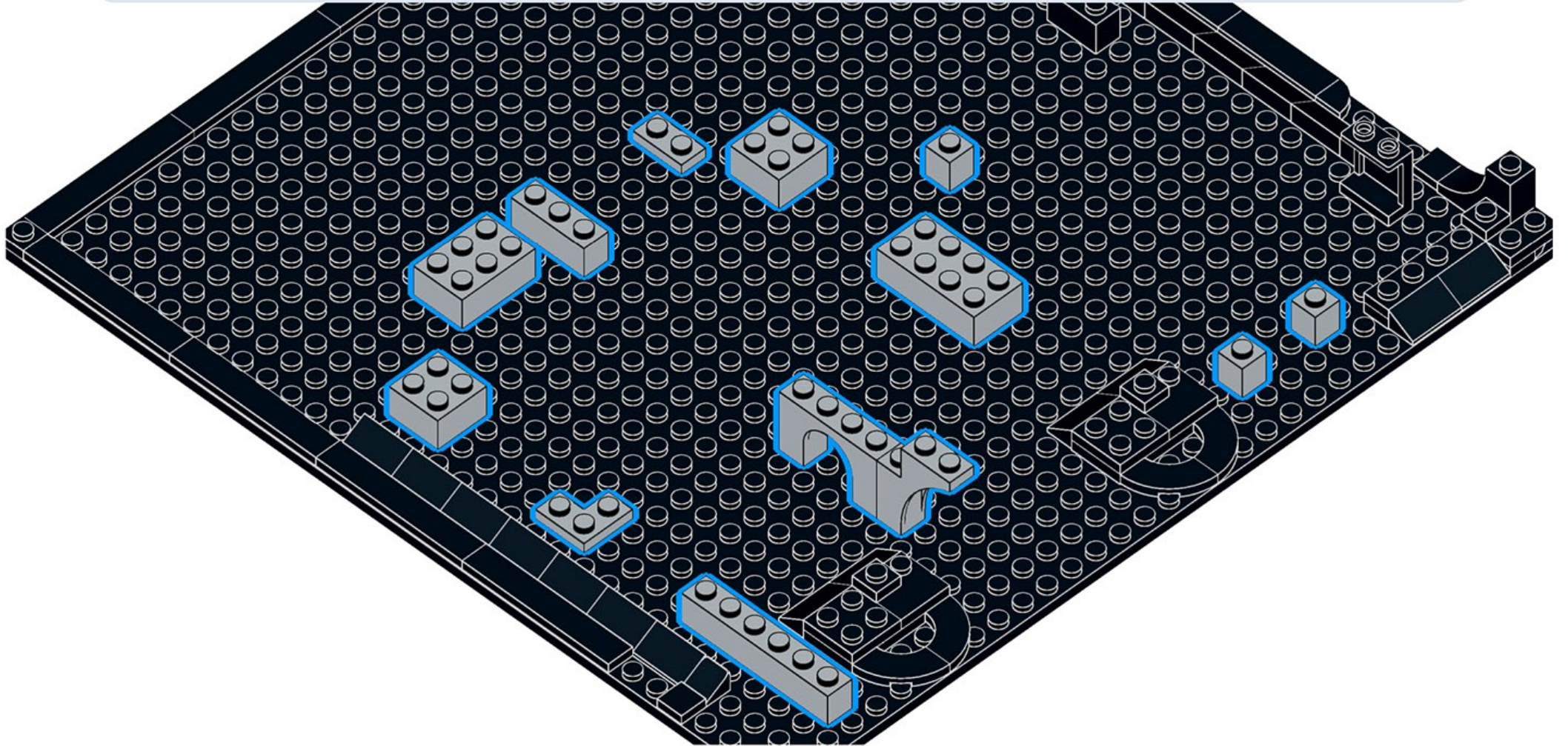
1x



1x



1x





7



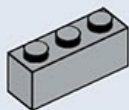
3x



3x



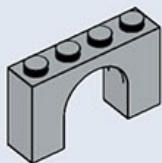
1x



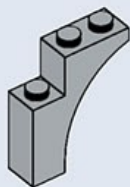
2x



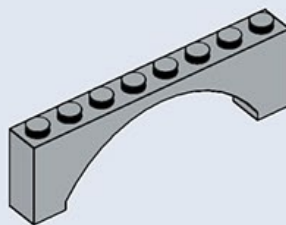
1x



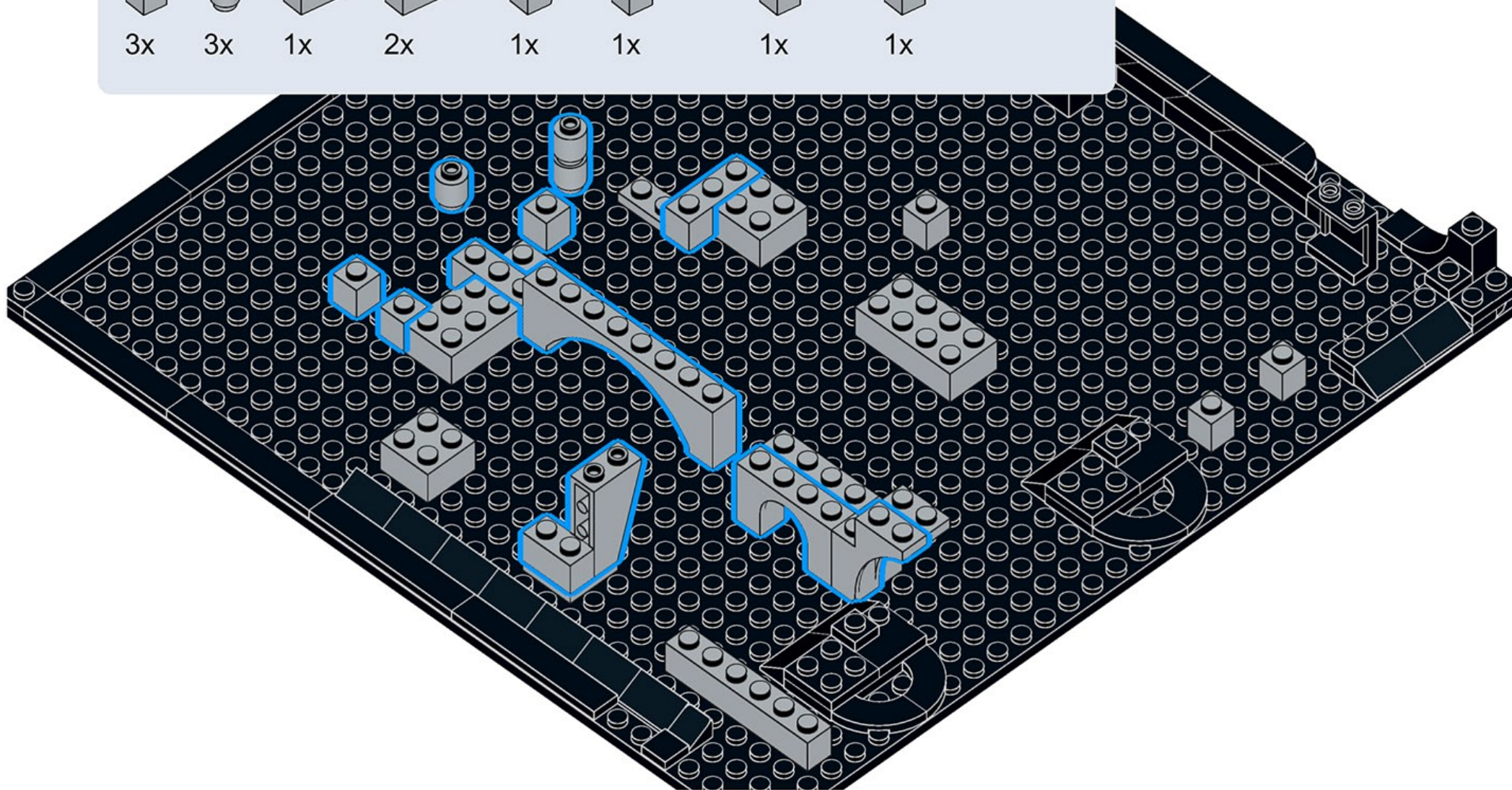
1x



1x



1x



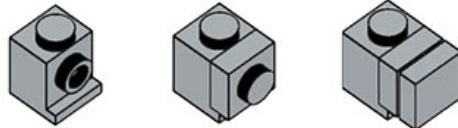


8

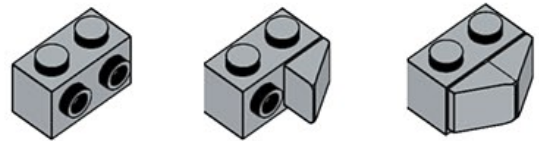


- 1x [1x 1/2 brick]
- 4x [4x 1/2 brick]
- 2x [2x 1/2 brick]
- 1x [1x 1/2 brick]
- 3x [3x 1/2 brick]
- 1x [1x 1/2 brick]
- 1x [1x 1/2 brick]
- 1x [1x 1/2 brick]

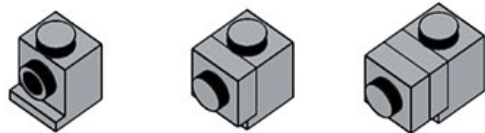
1 2 3



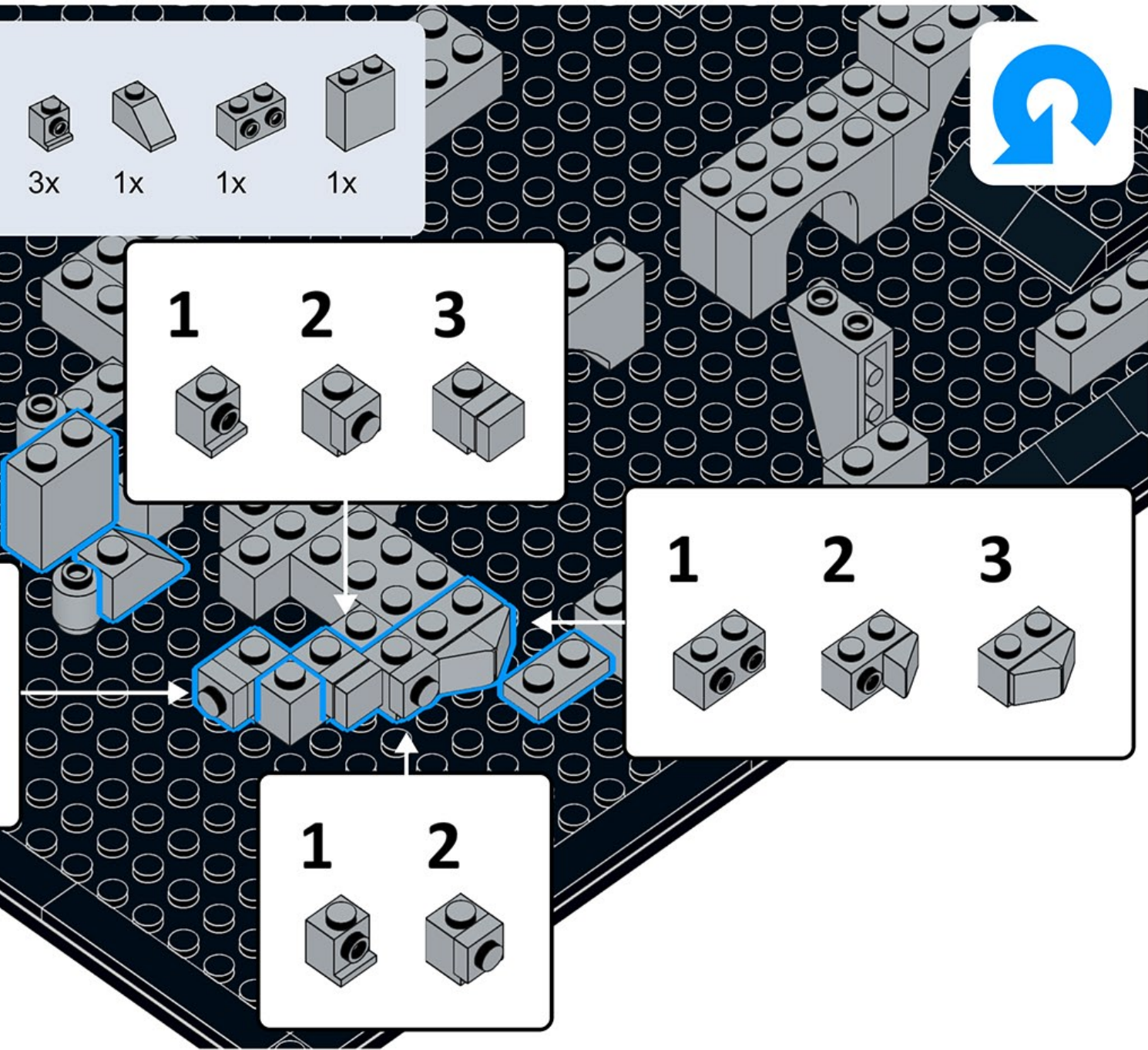
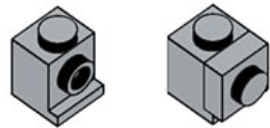
1 2 3



1 2 3



1 2





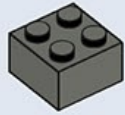
9



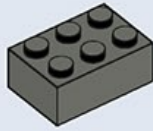
3x



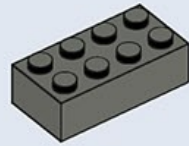
3x



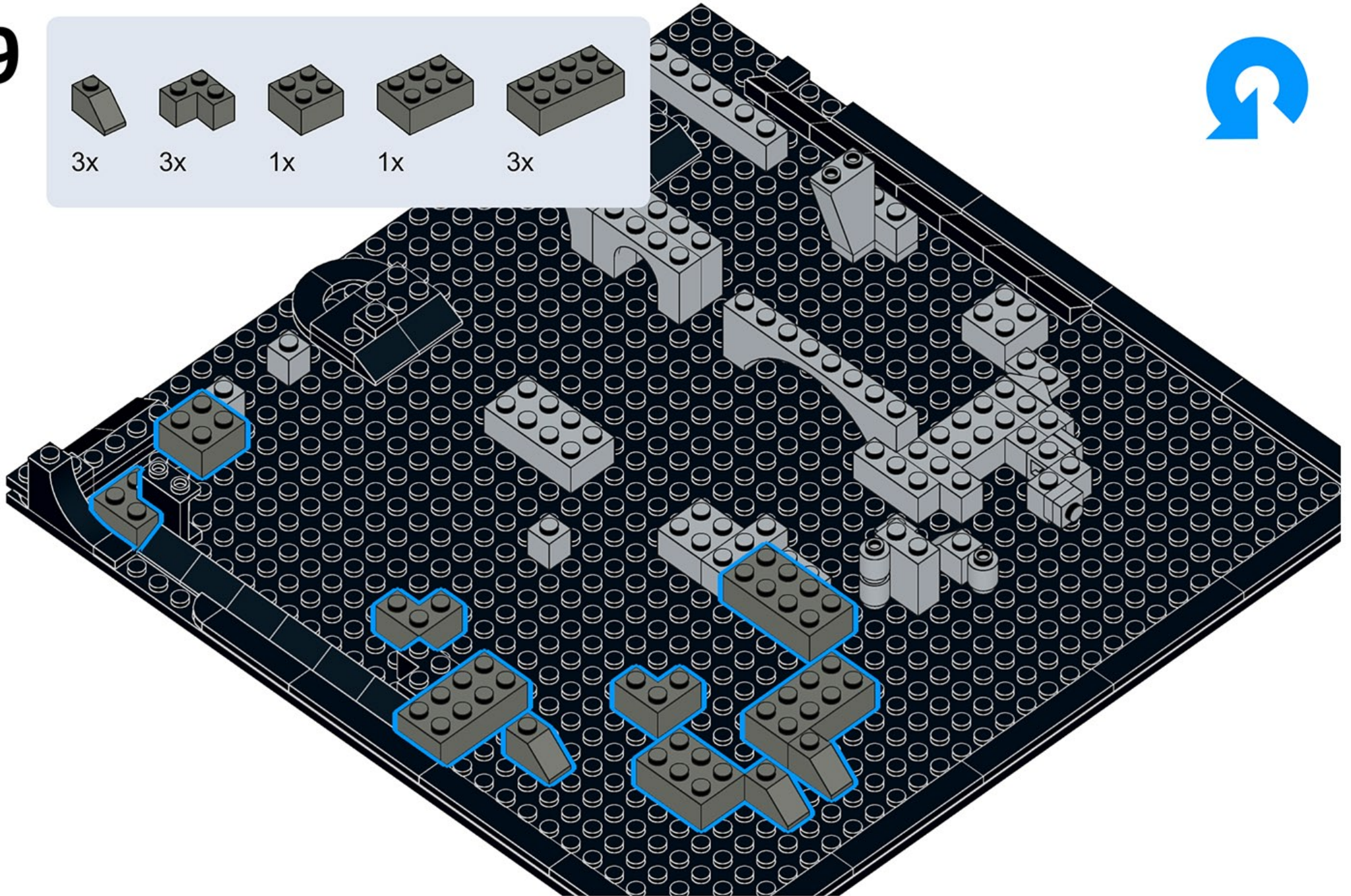
1x



1x

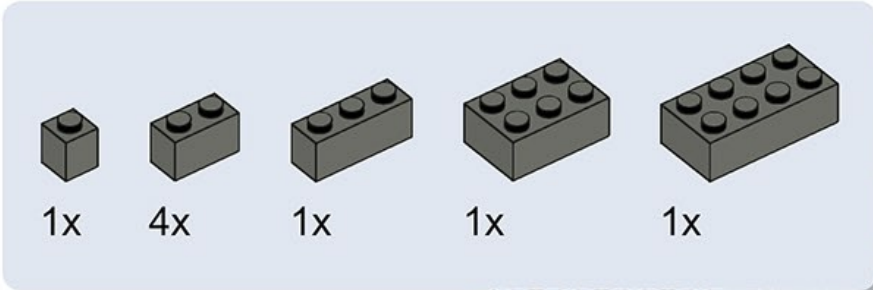


3x



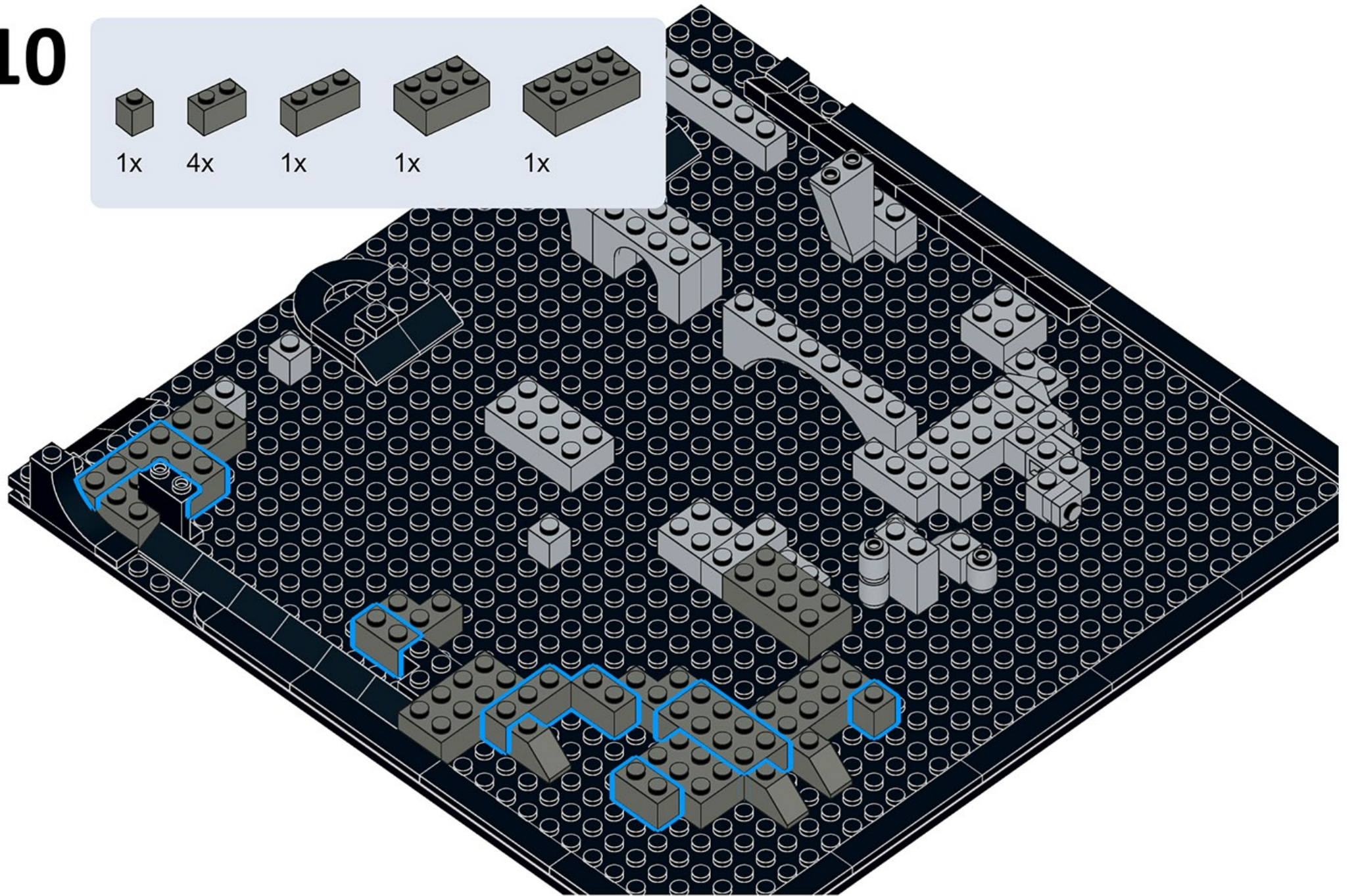


# 10



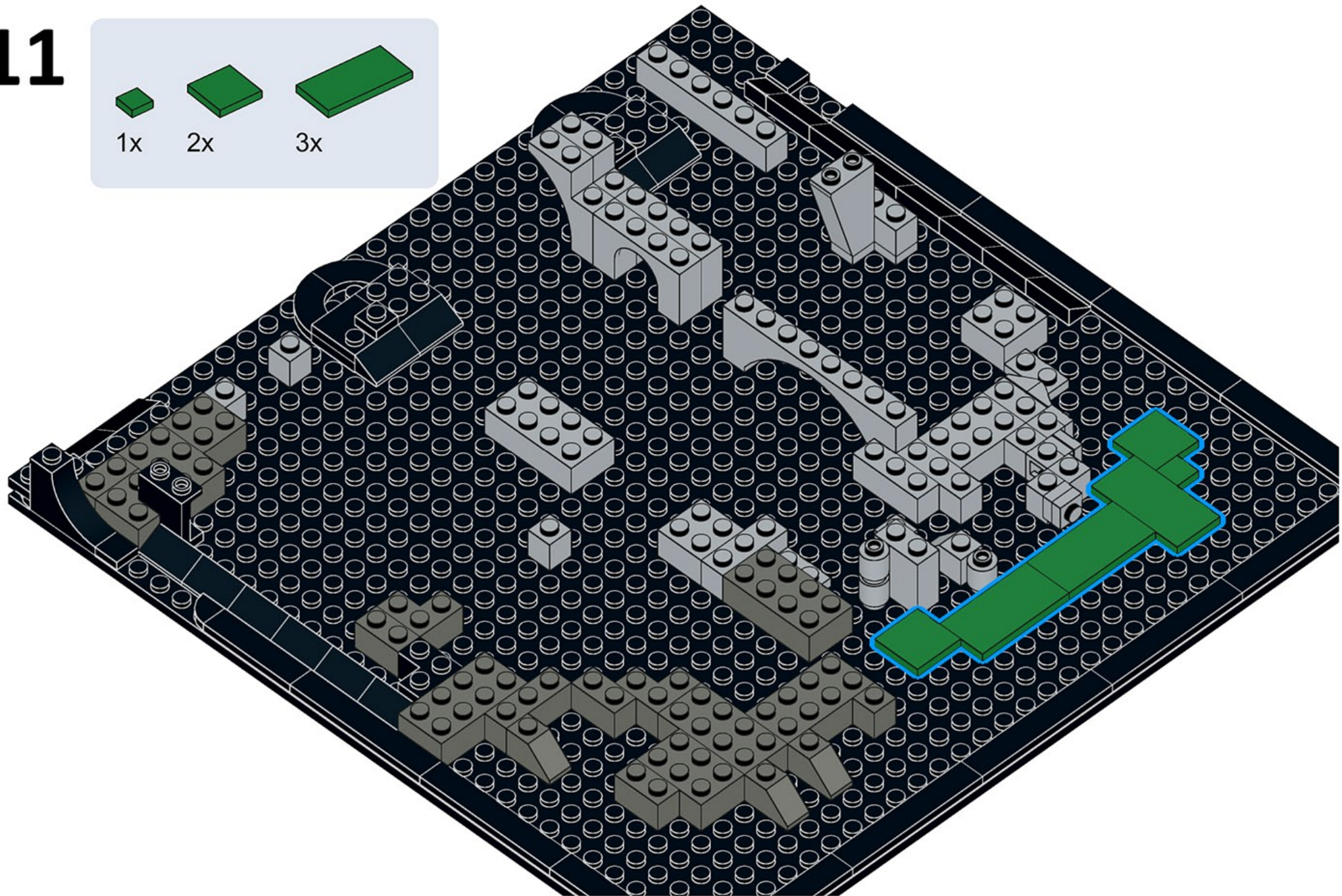
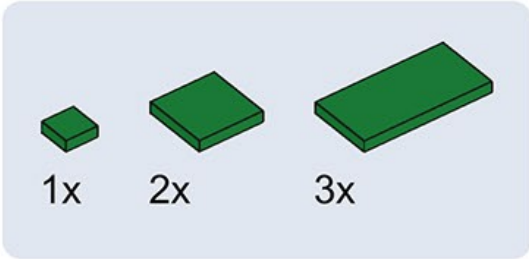
1x 4x 1x 1x 1x

This block contains a parts list for step 10. It features five grey LEGO Technic parts arranged horizontally. From left to right: a 1x1 brick with a hole, a 1x2 brick with a hole, a 1x3 brick with a hole, a 1x4 brick with a hole, and a 1x5 brick with a hole. Below each part is its quantity: '1x', '4x', '1x', '1x', and '1x' respectively.



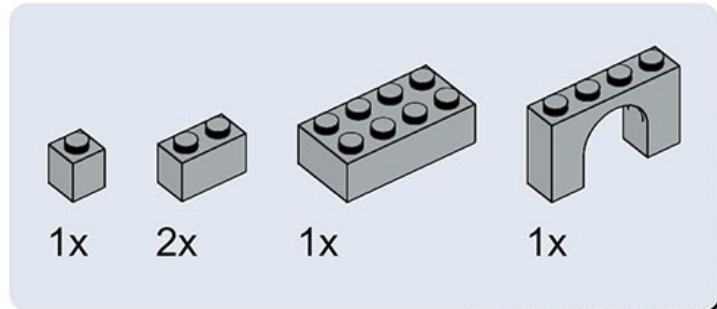


# 11



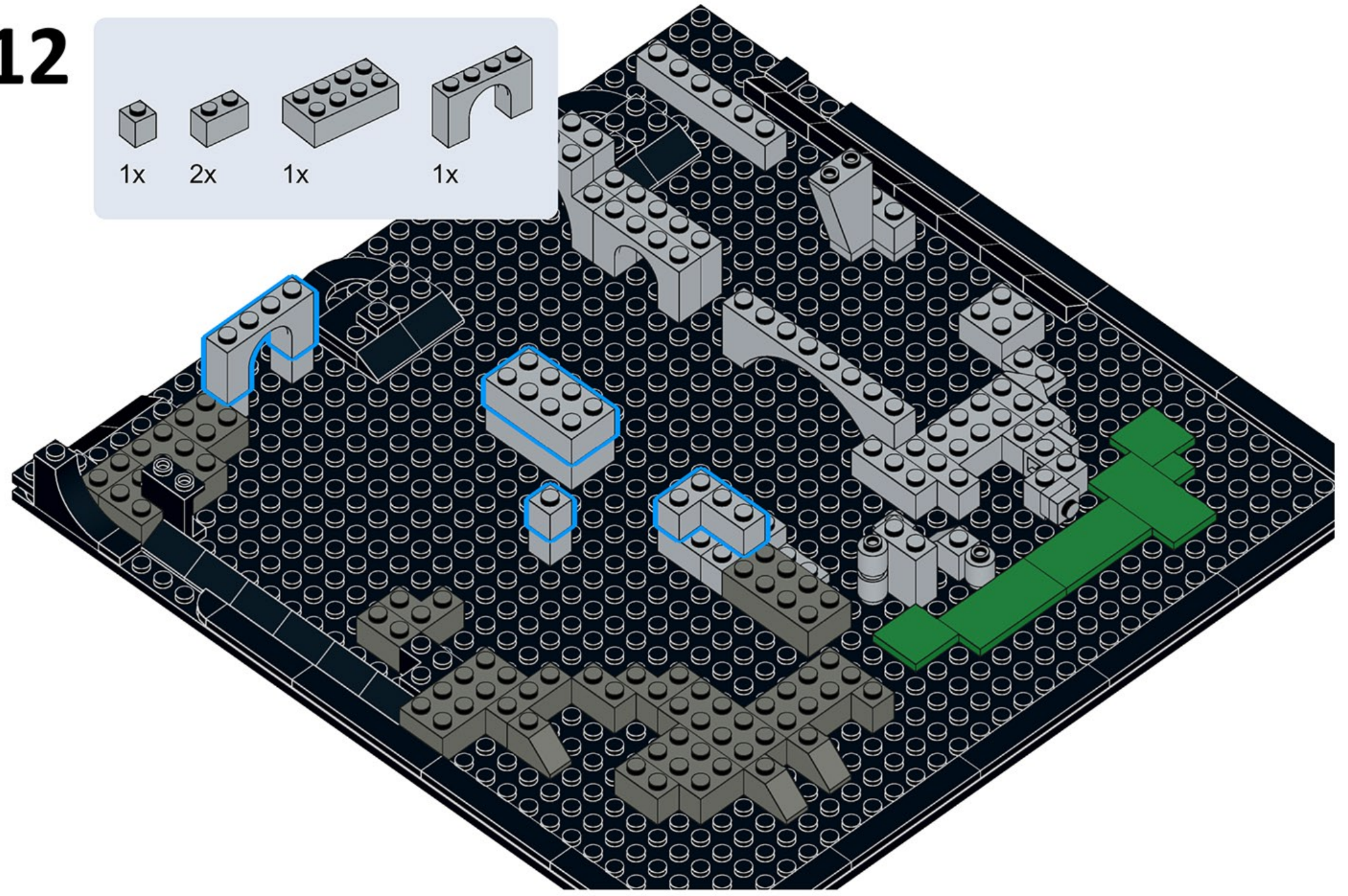


# 12



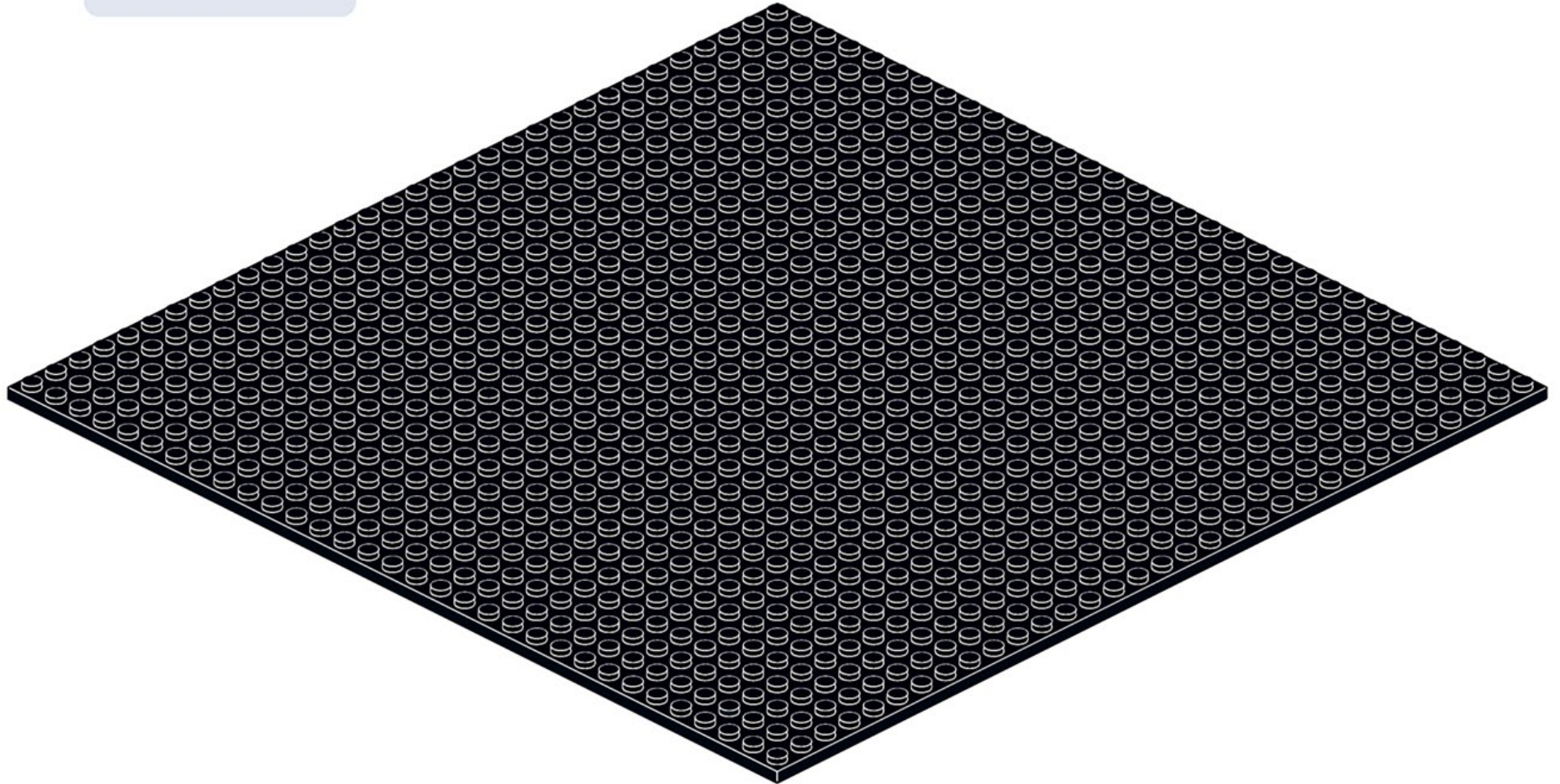
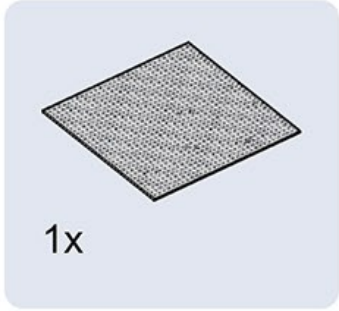
1x 1x 2x 1x 1x

This block contains a parts list for step 12. It features four items: a 1x1 grey brick (1x), a 1x2 grey brick (2x), a 1x4 grey brick (1x), and a grey arch piece (1x). Each item is accompanied by its quantity.



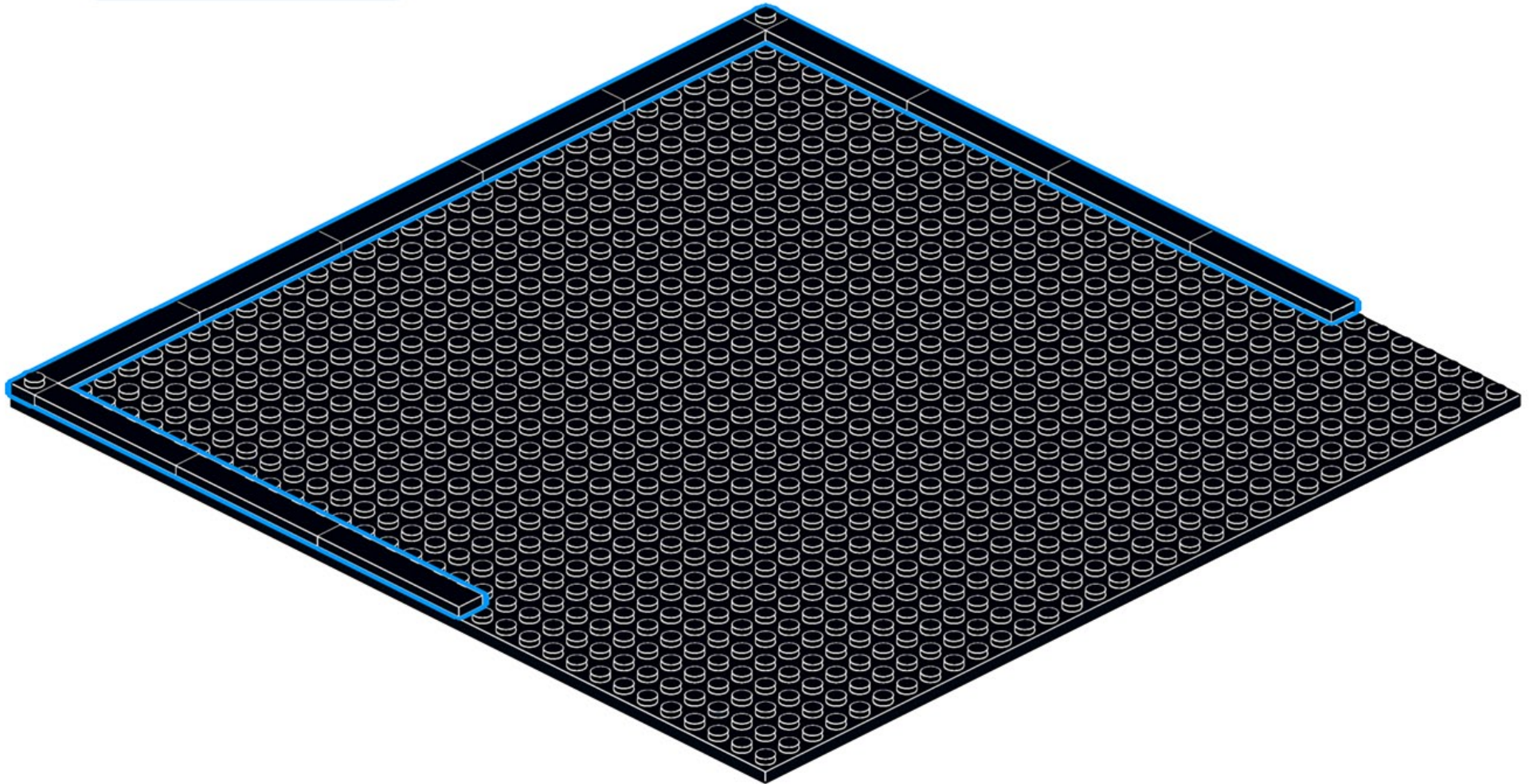
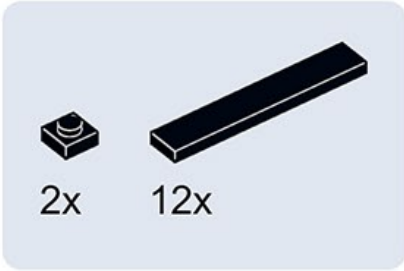


13





14





# 15



31x



4x



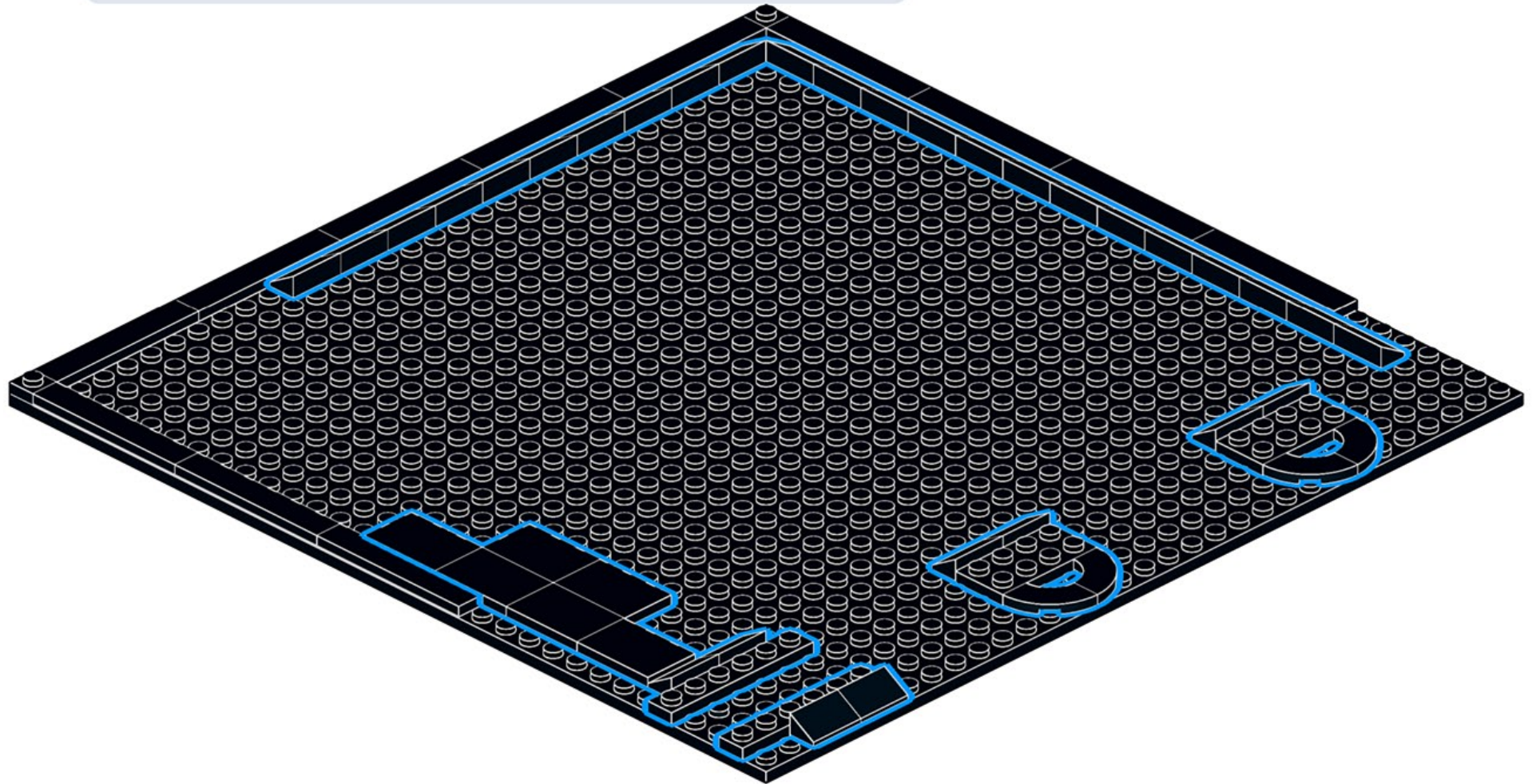
6x



2x



2x





# 16

2x

6x

1x

1x

1x

1x

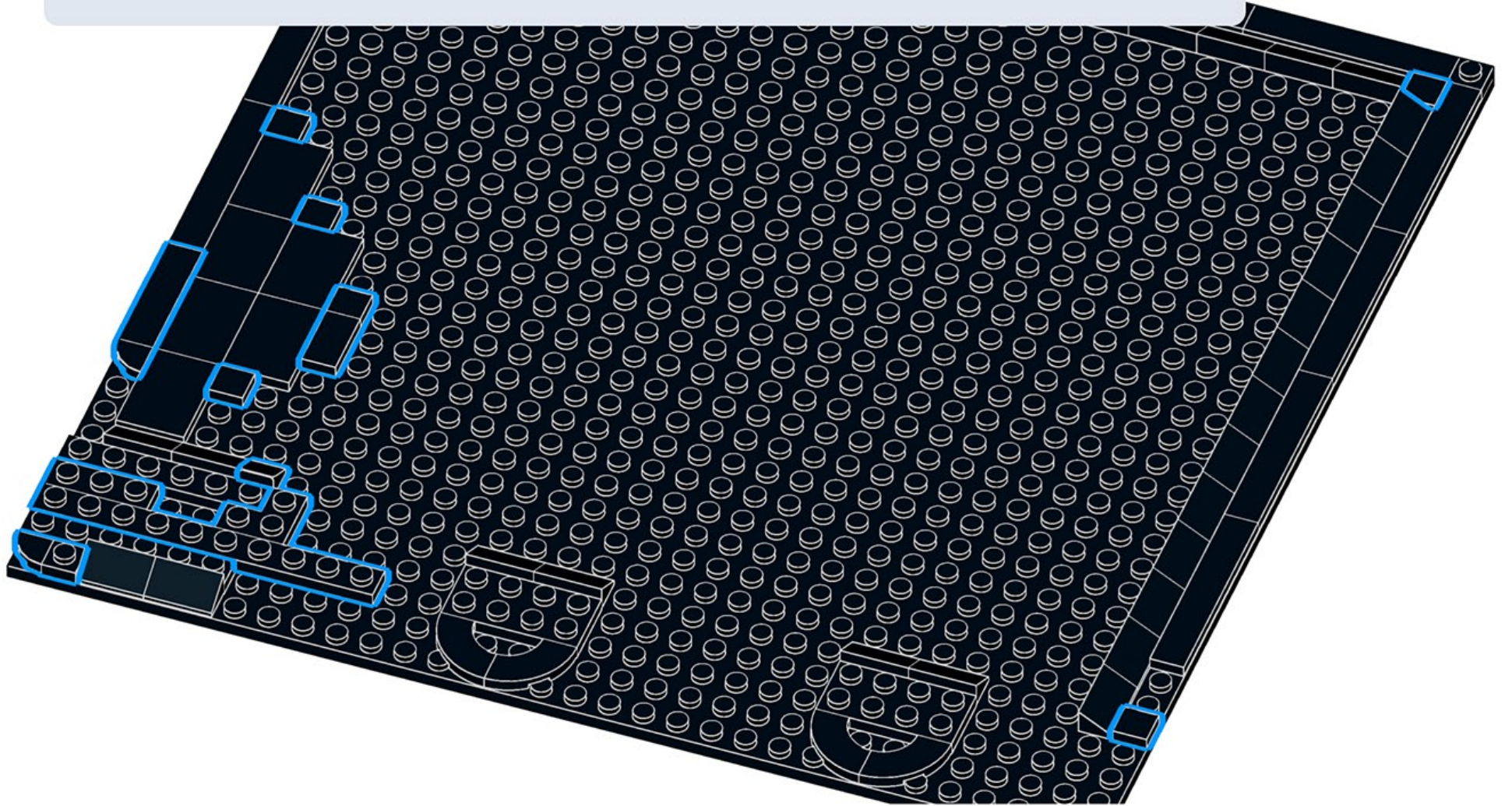
1x

1x

1x

1x

1x





# 17



2x



1x



2x



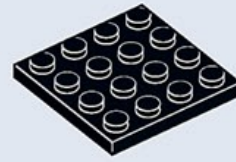
2x



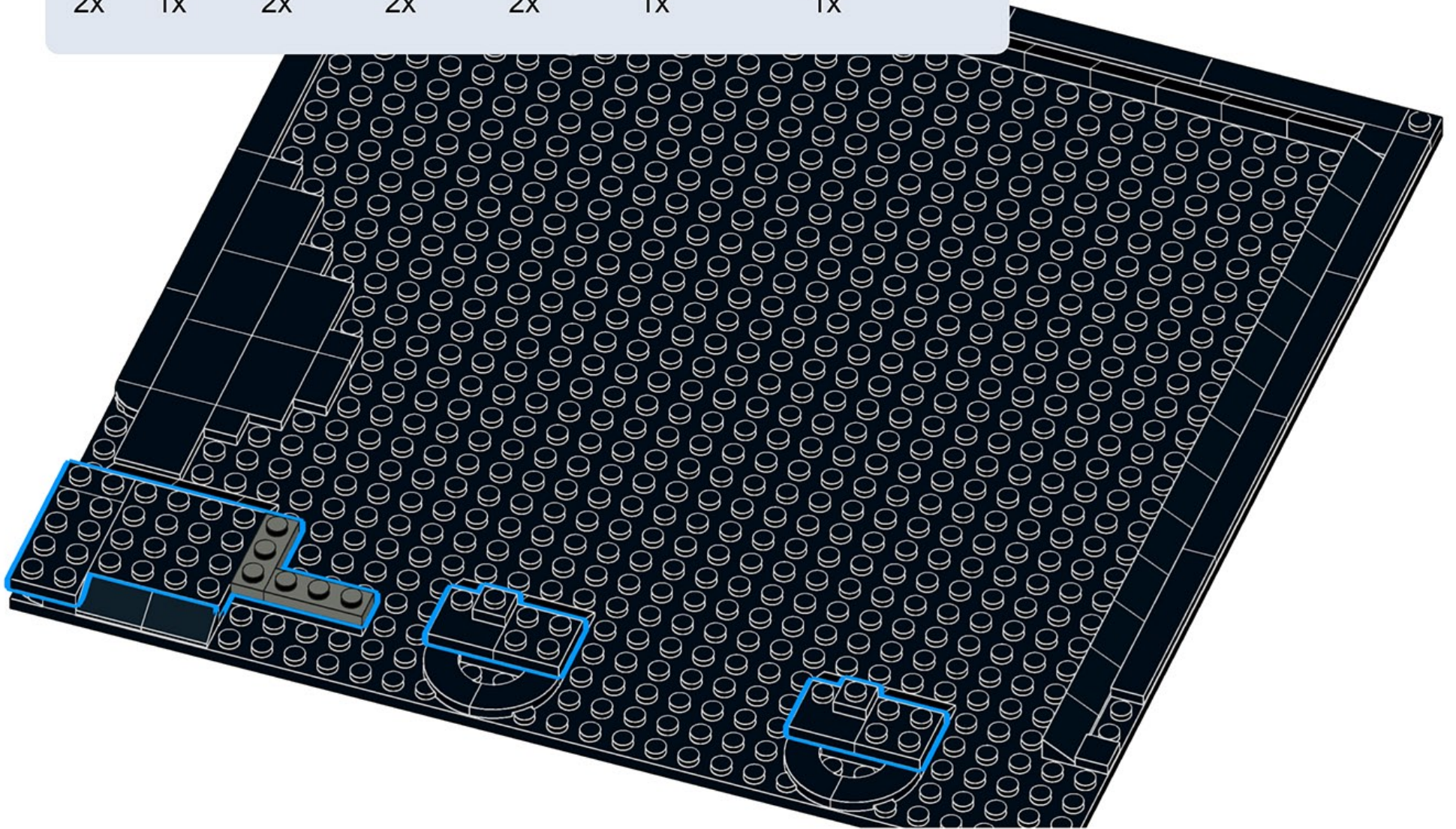
2x



1x

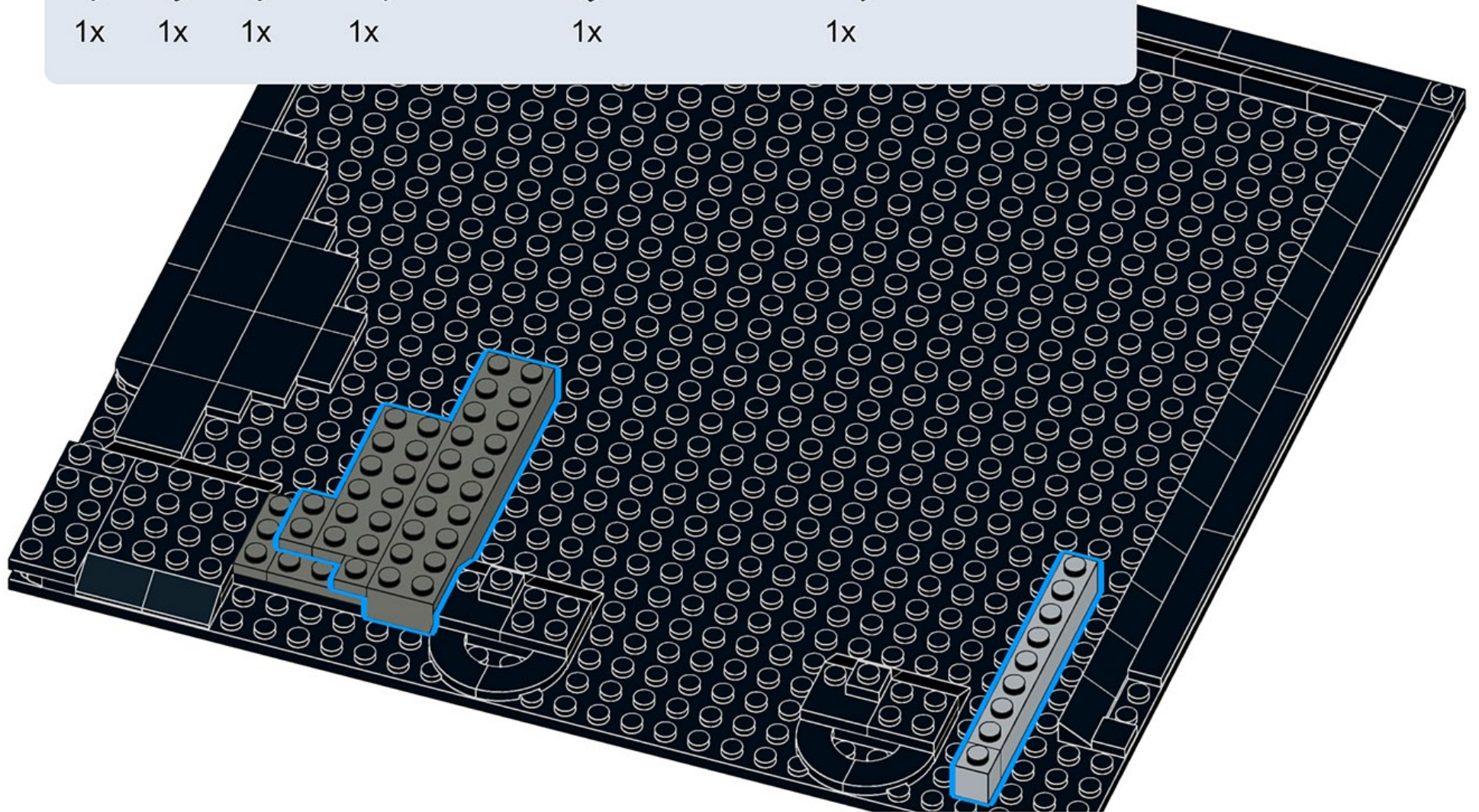
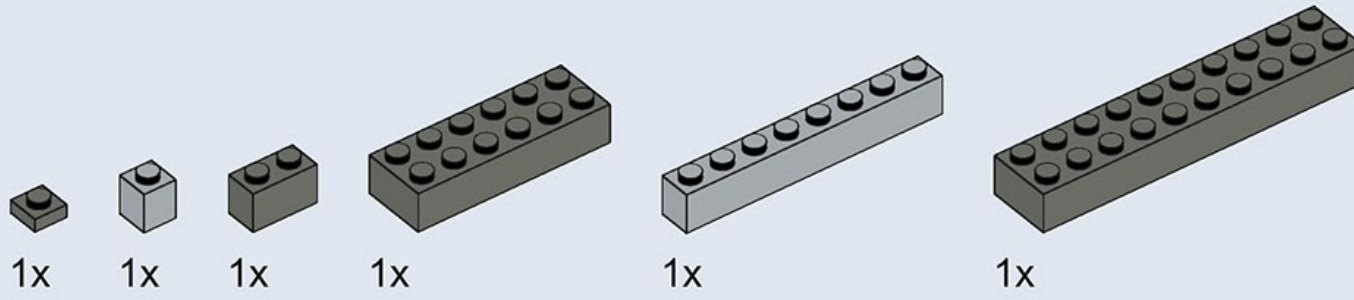


1x



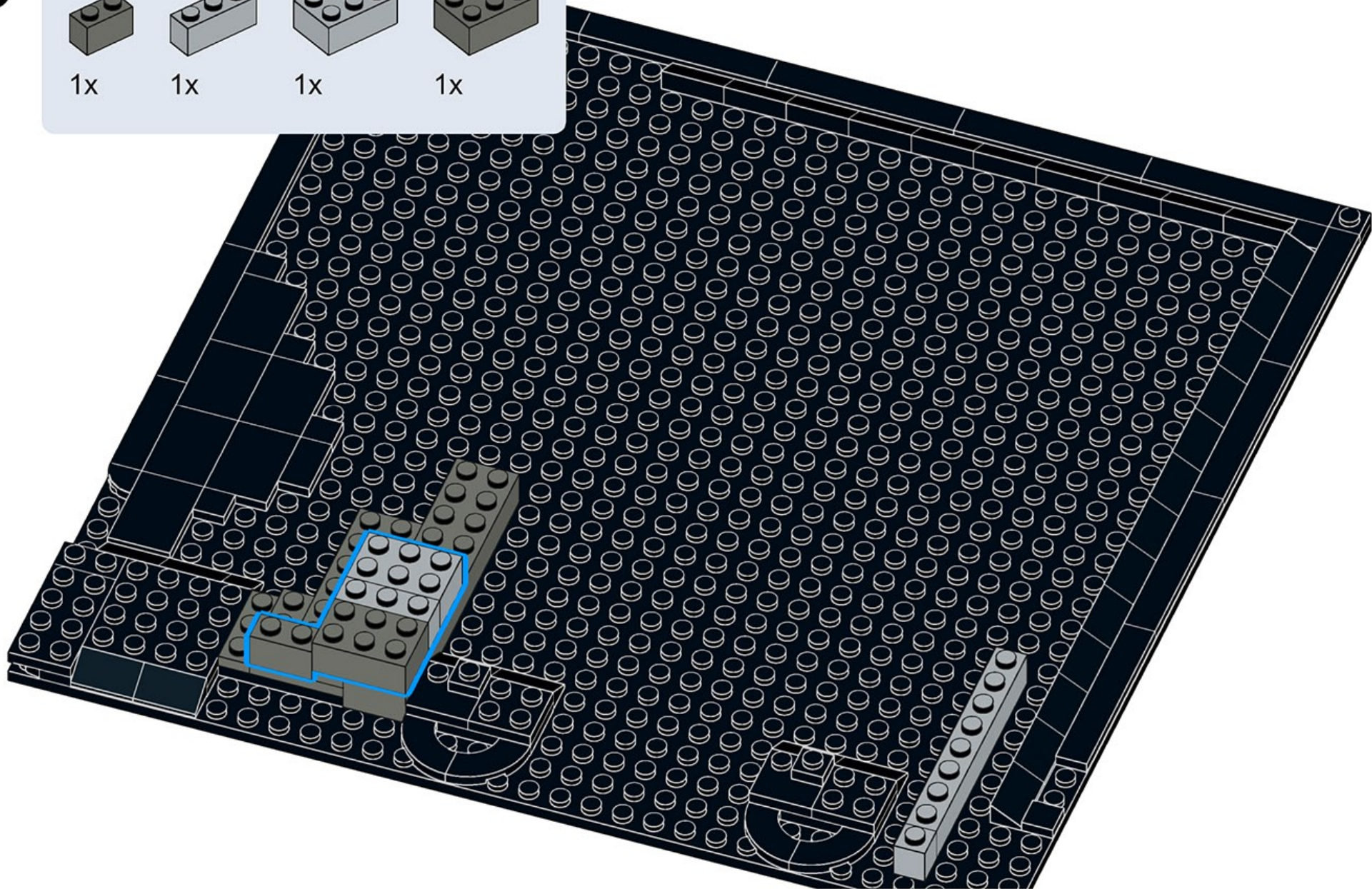
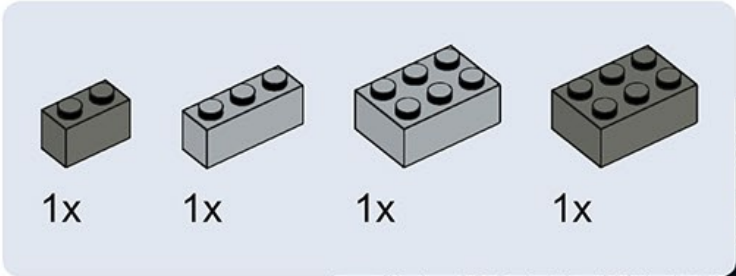


# 18

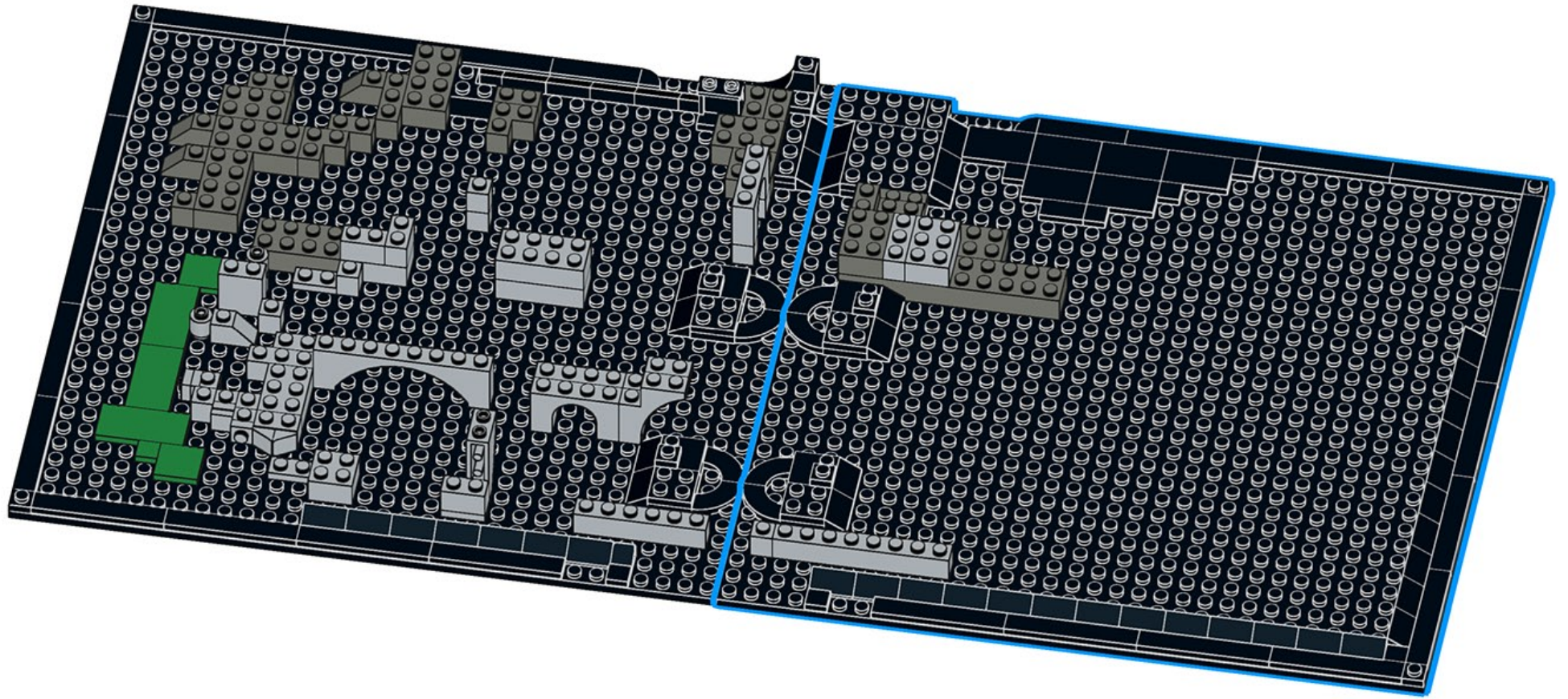




# 19









# 21



1x



2x



1x



1x

1



2



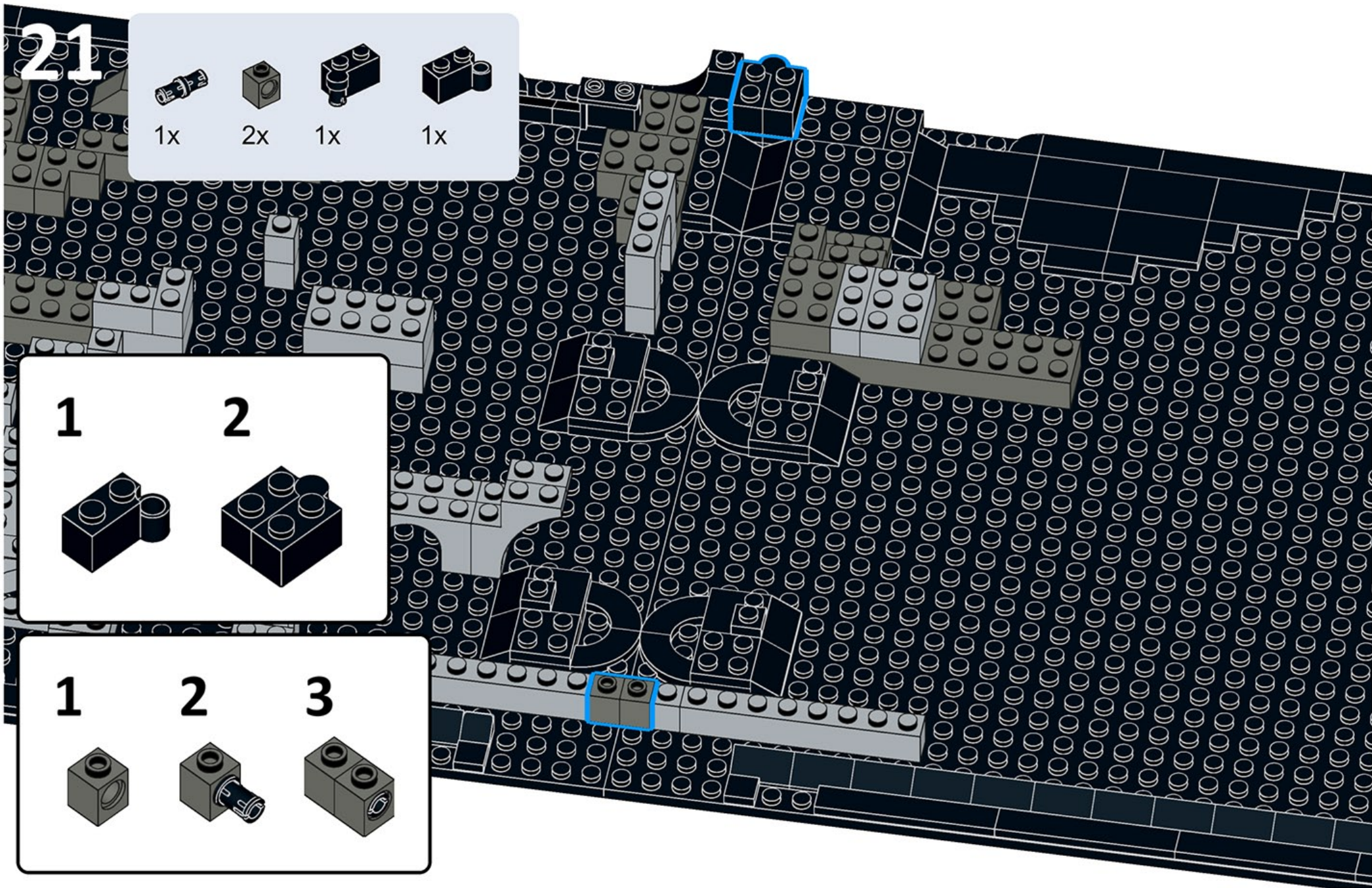
1



2

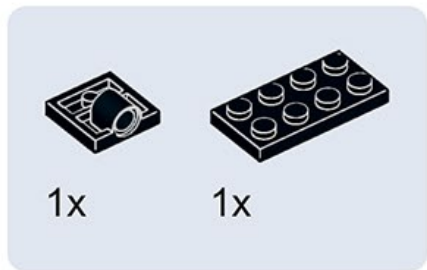


3

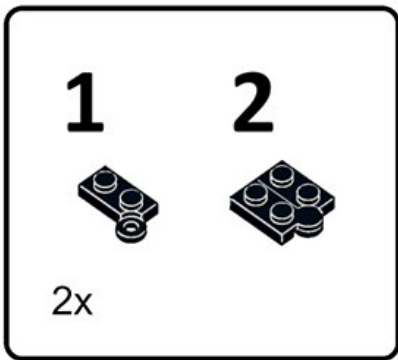
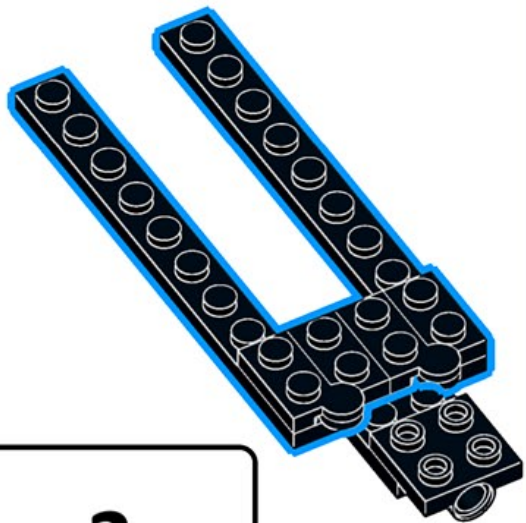
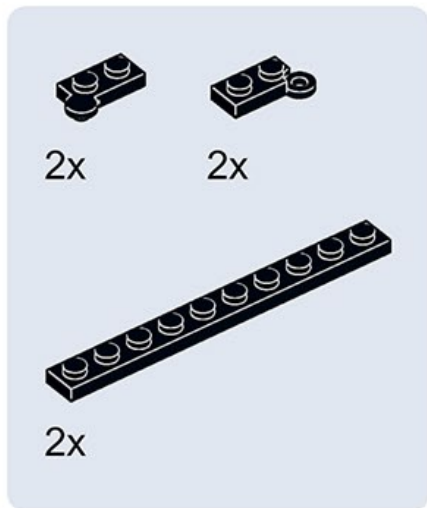




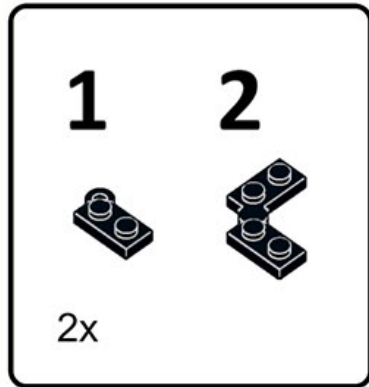
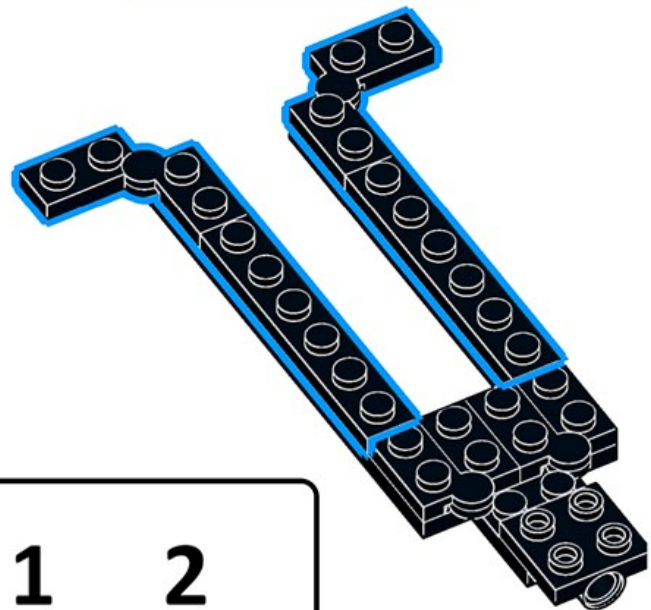
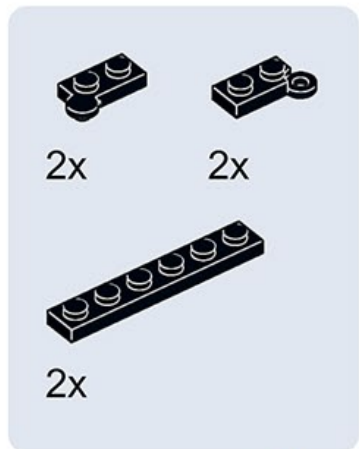
# 22



# 23



# 24





# 25



1x

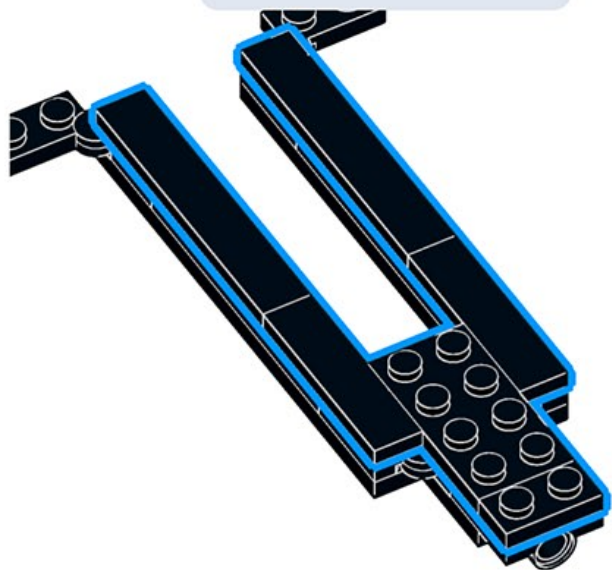
2x



1x



2x



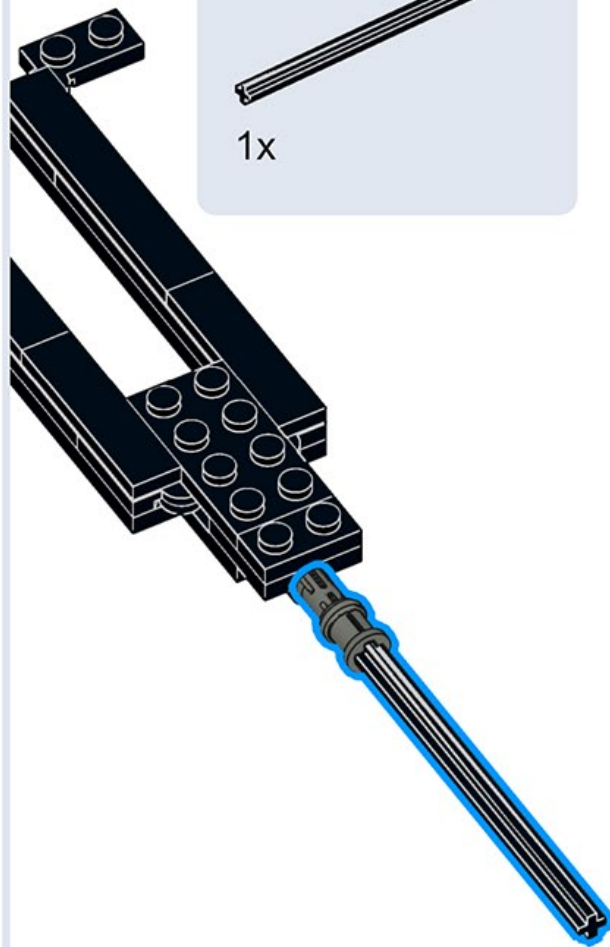
# 26



1x



1x



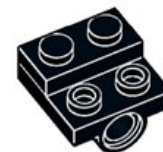
# 27



1x

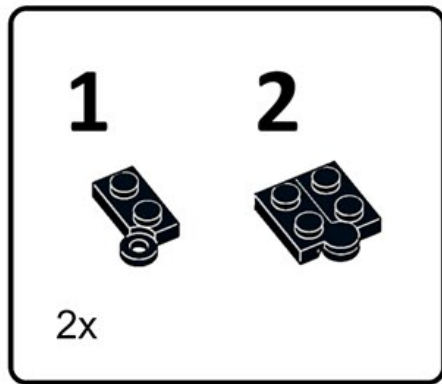
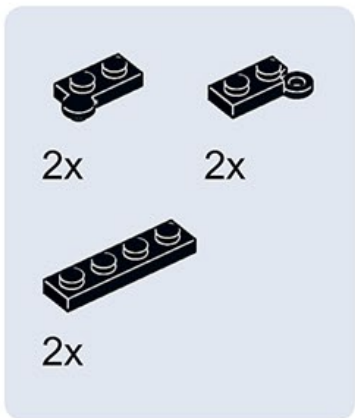


1x

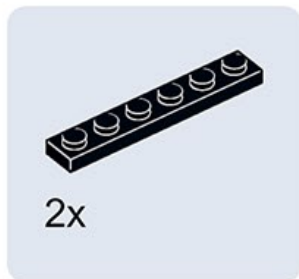




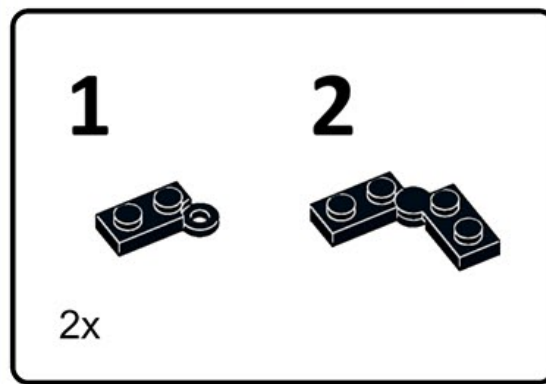
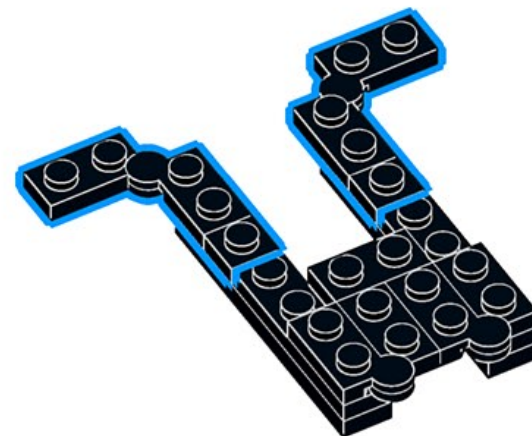
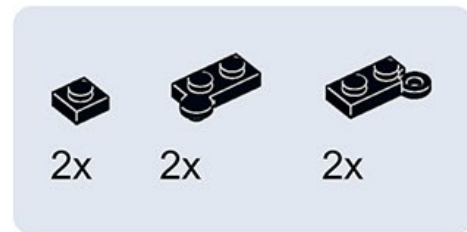
# 28



# 29

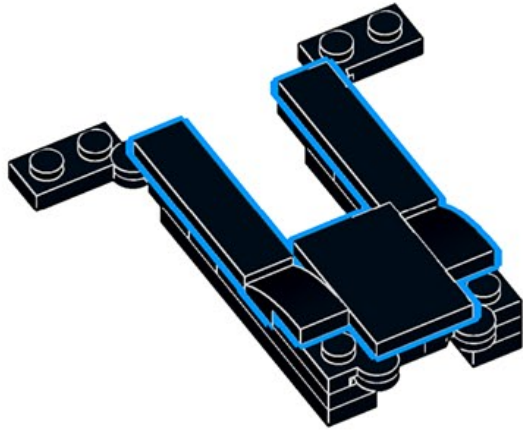
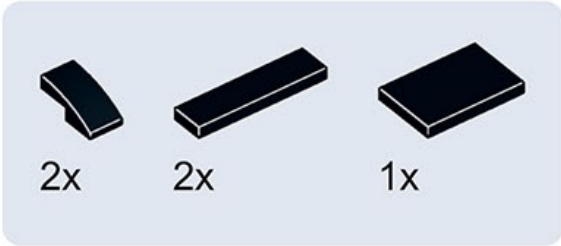


# 30

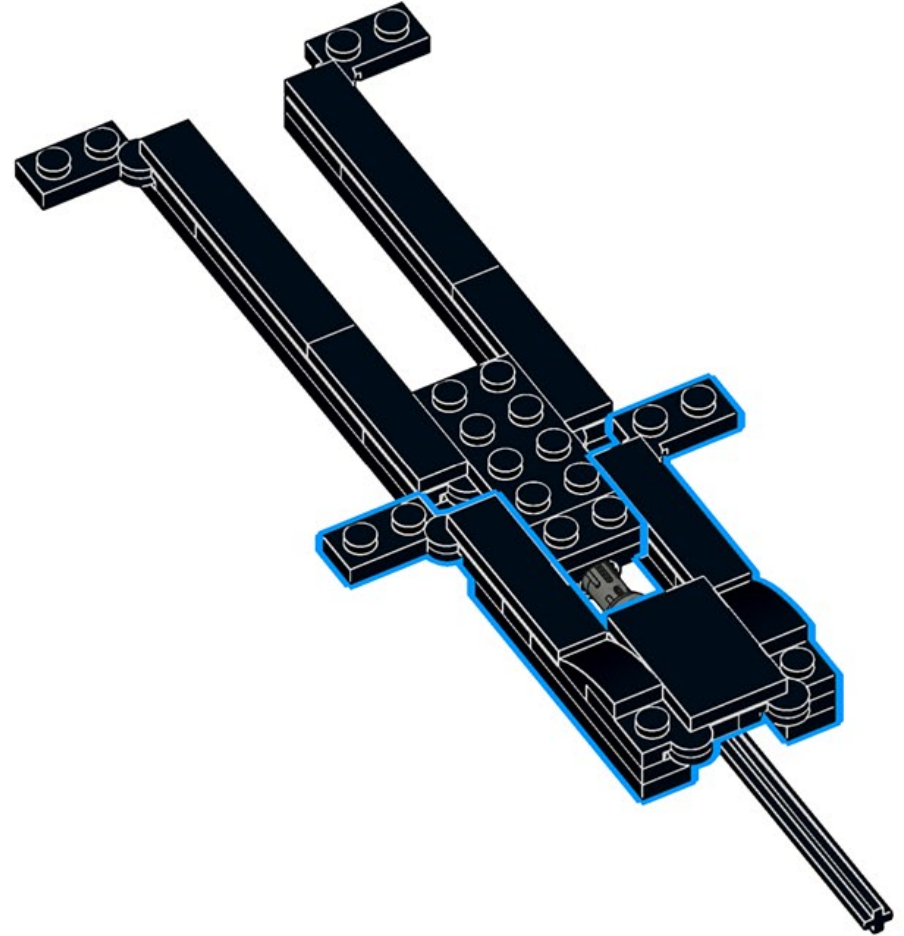




# 31

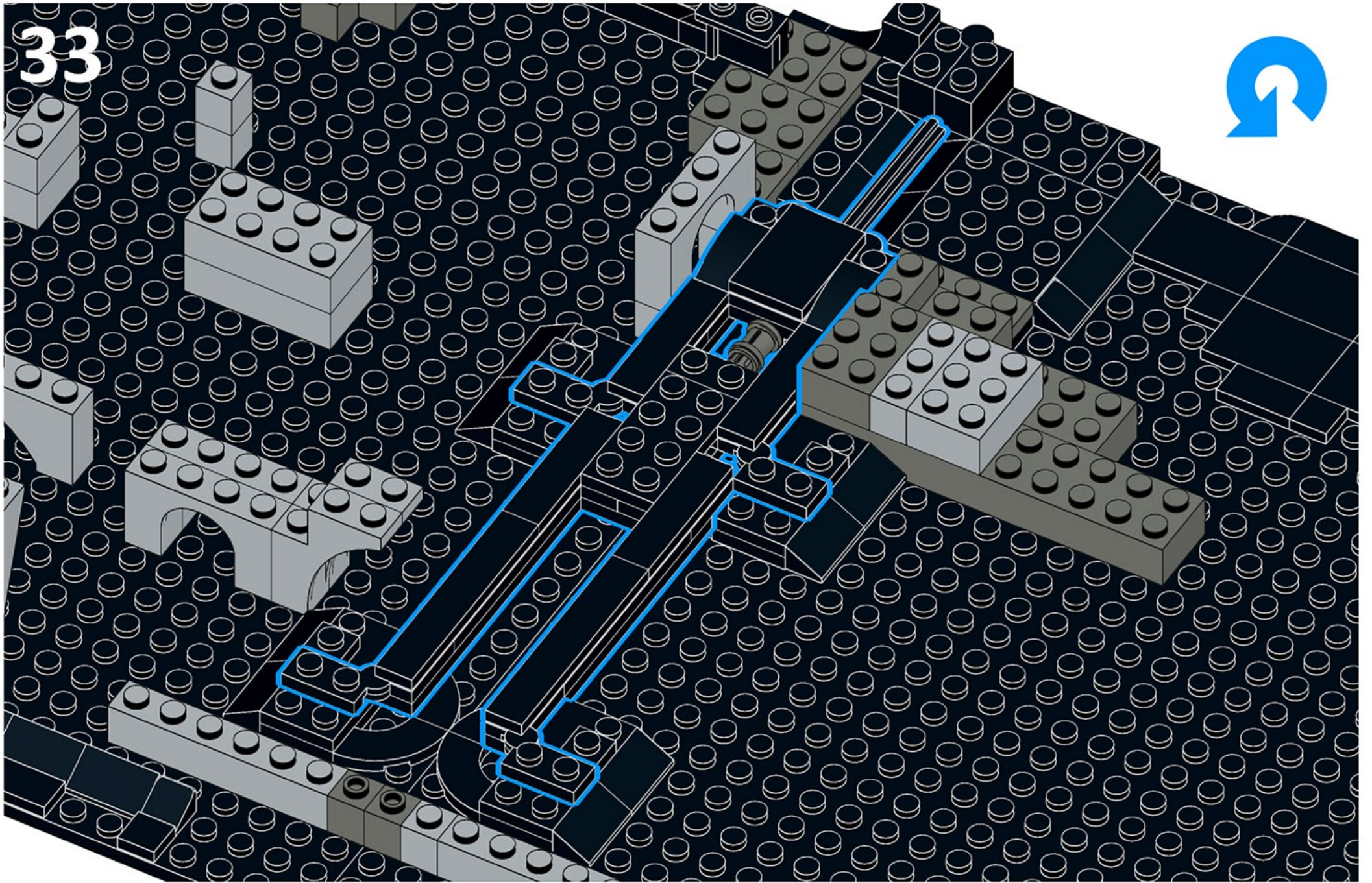


# 32



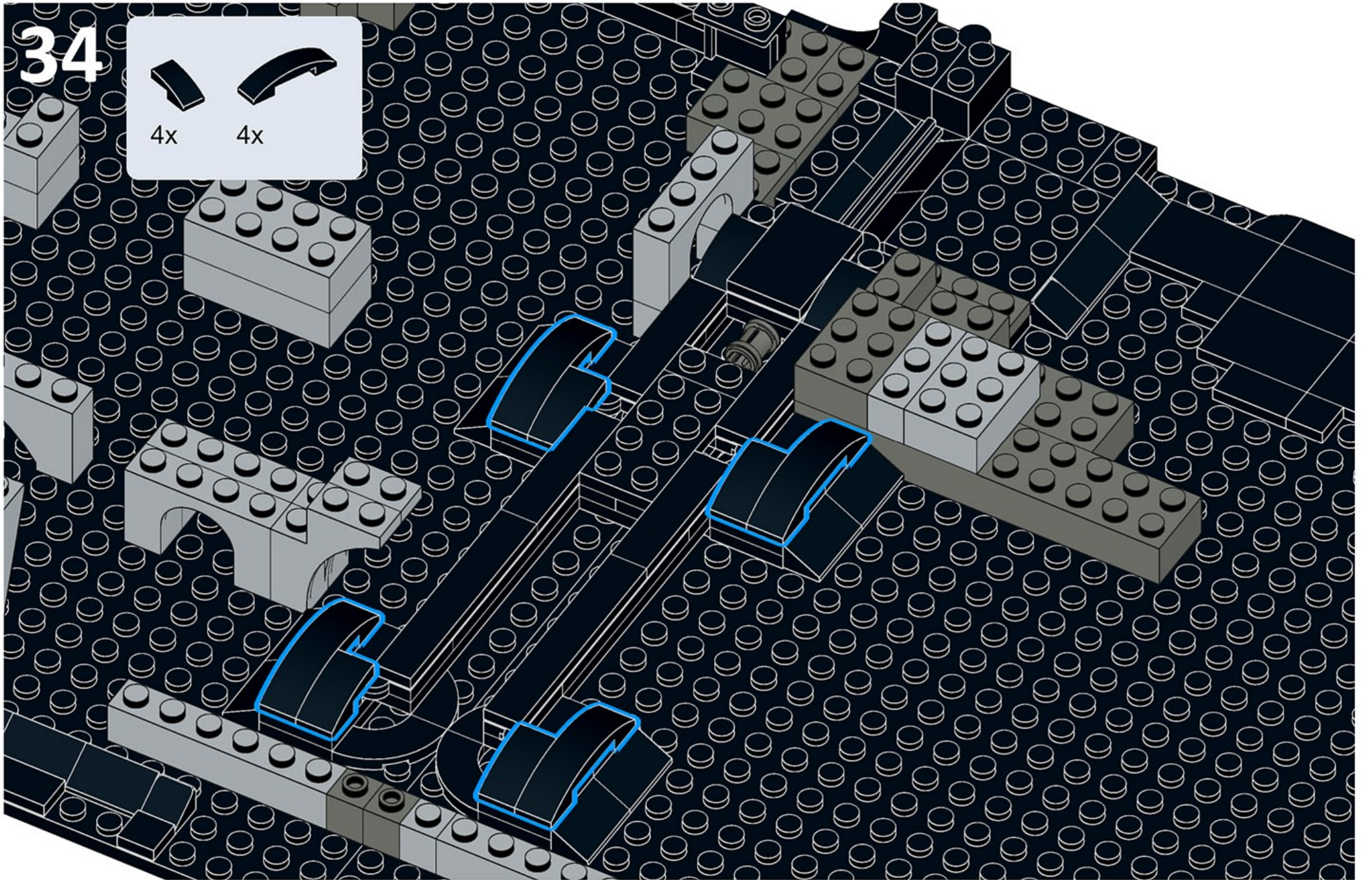
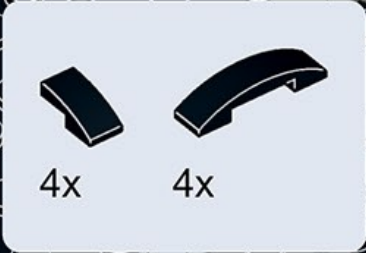


33



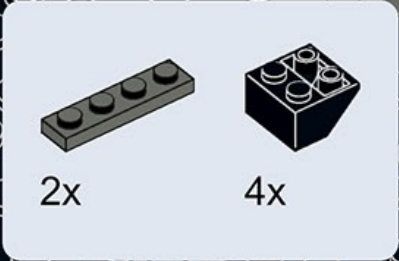


34





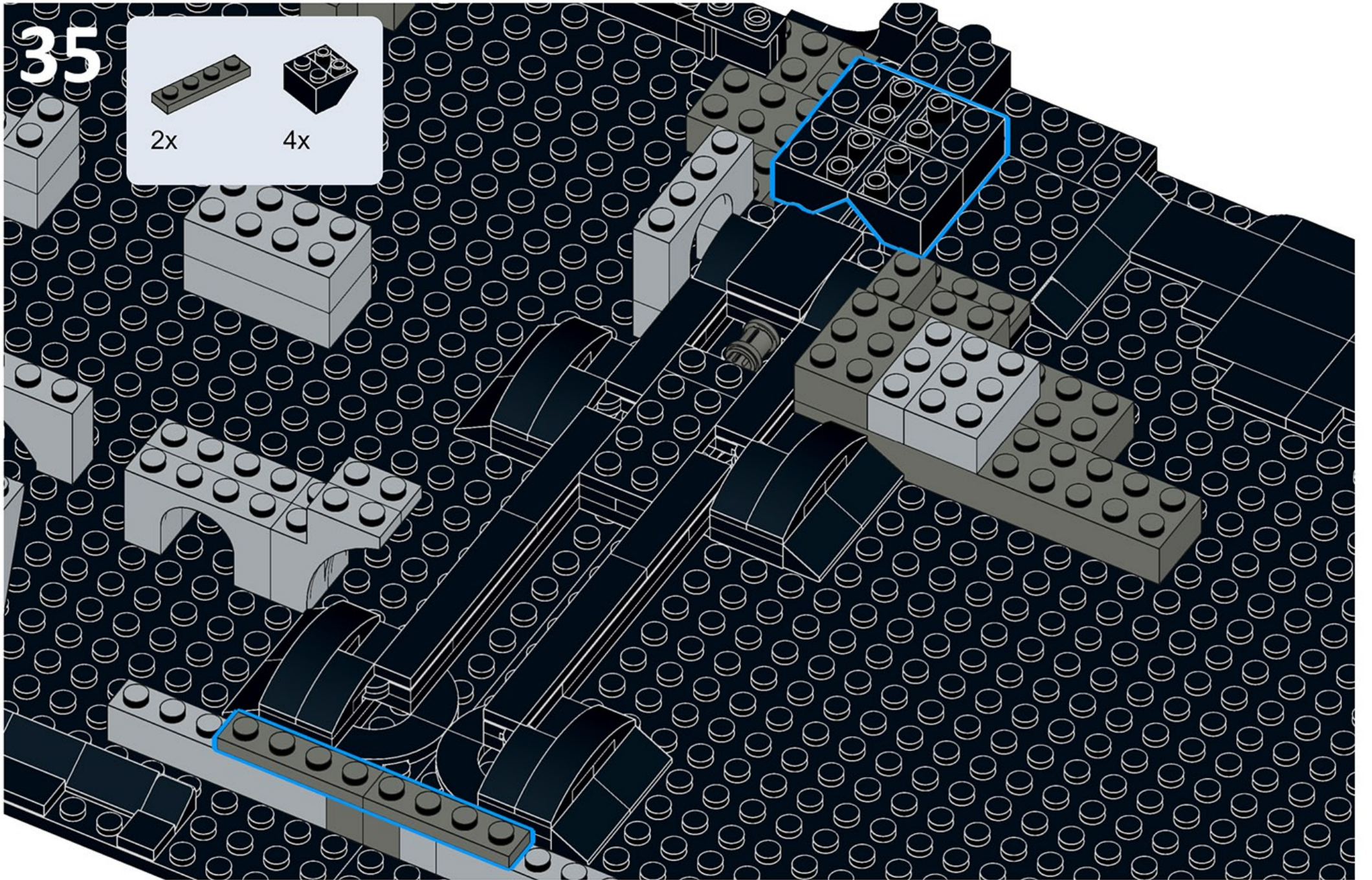
35



2x

4x

This inset box shows the parts required for step 35: two grey 1x3 Technic bricks and four grey 1x2 Technic bricks with a 2x2 hole in the center. The quantities '2x' and '4x' are printed below each respective part.





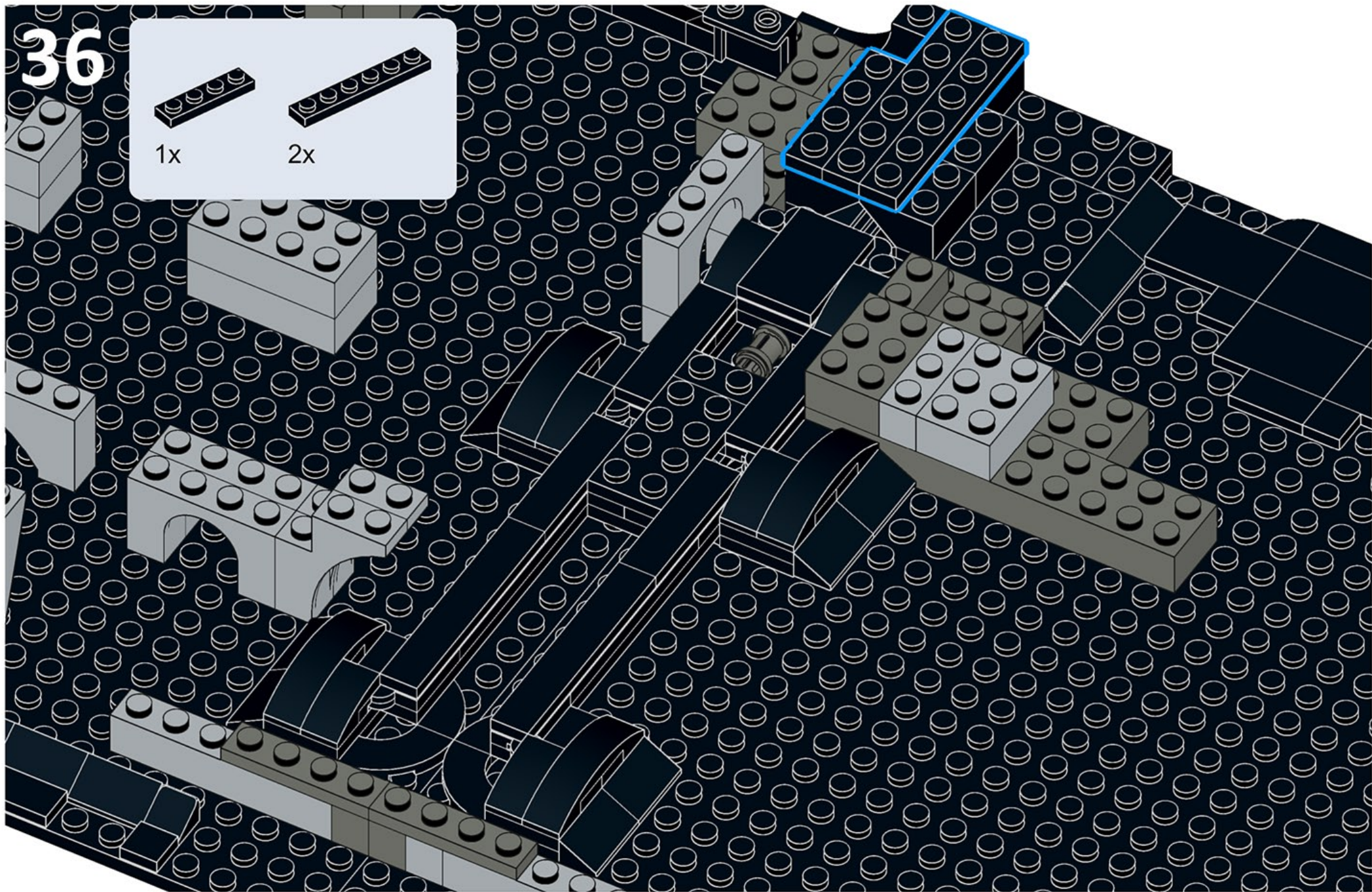
36



1x

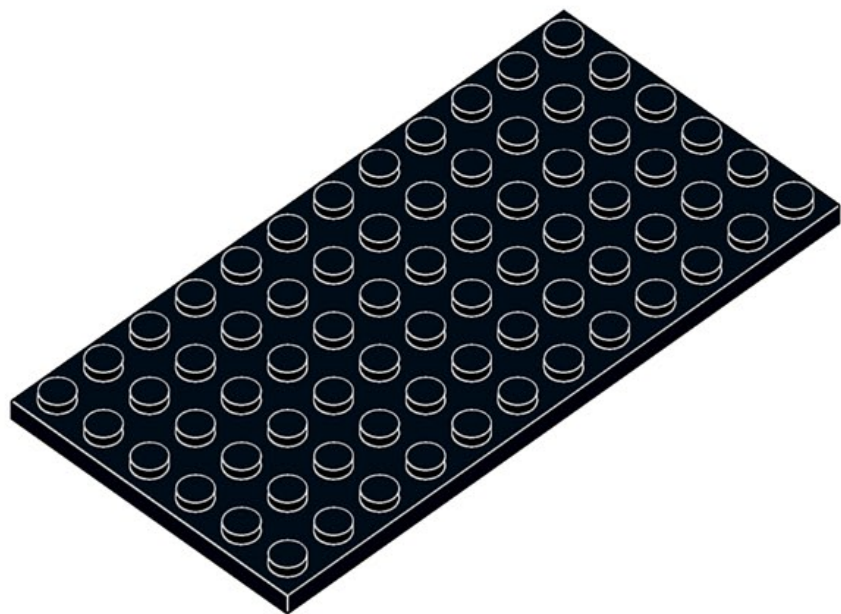
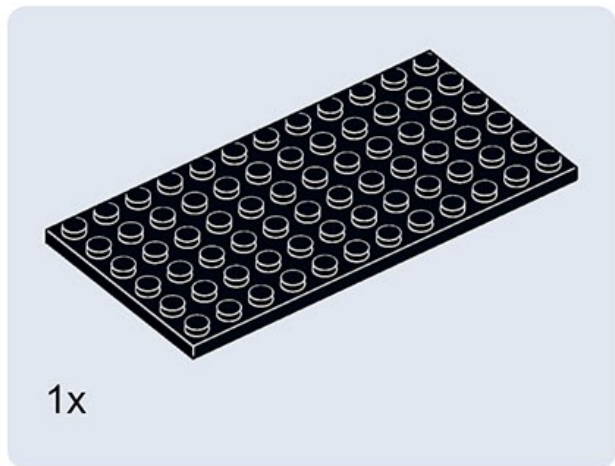


2x

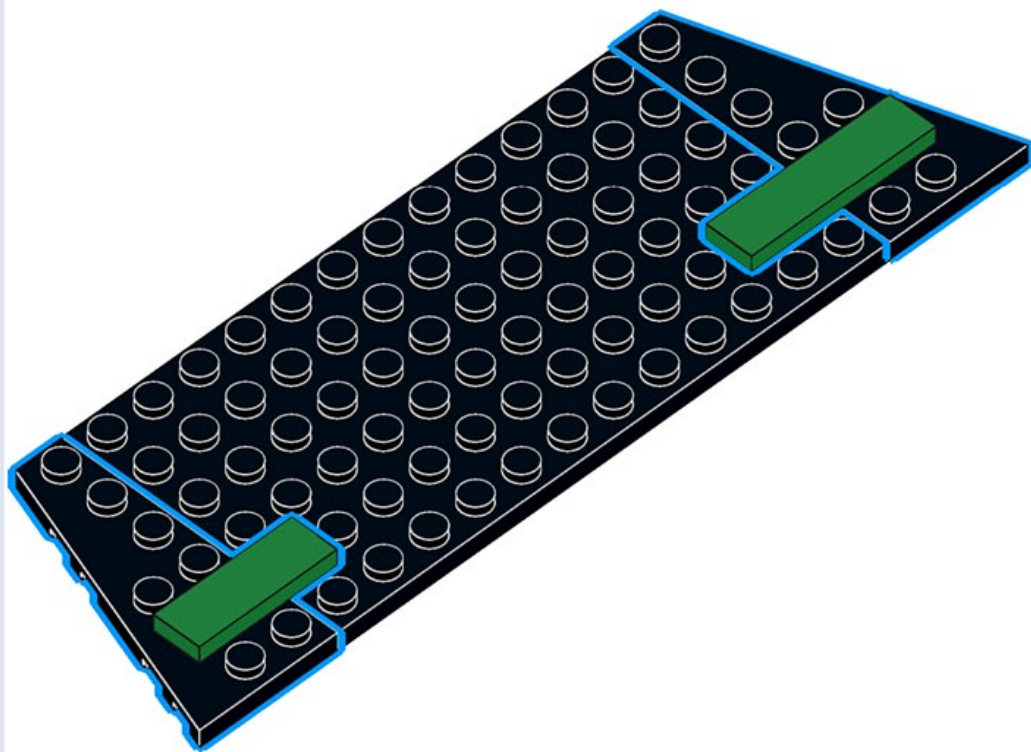
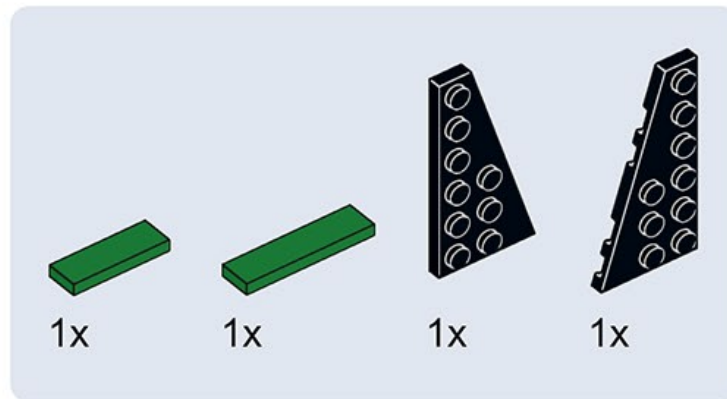




# 37

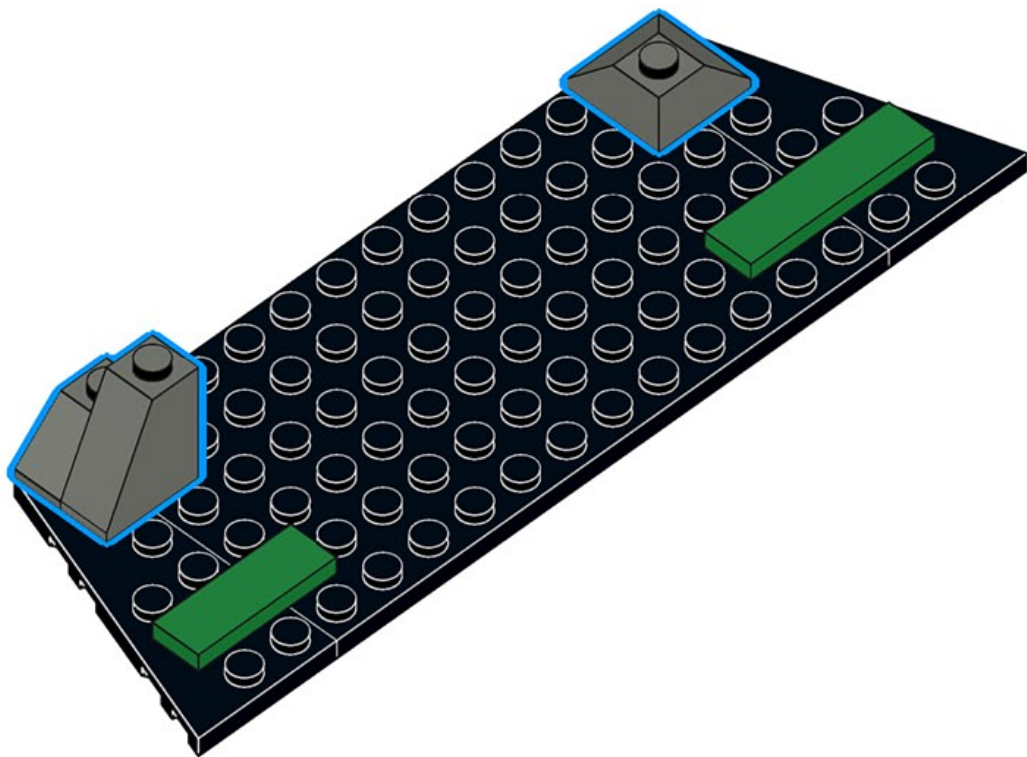
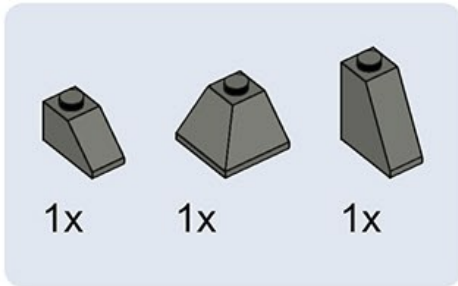


# 38

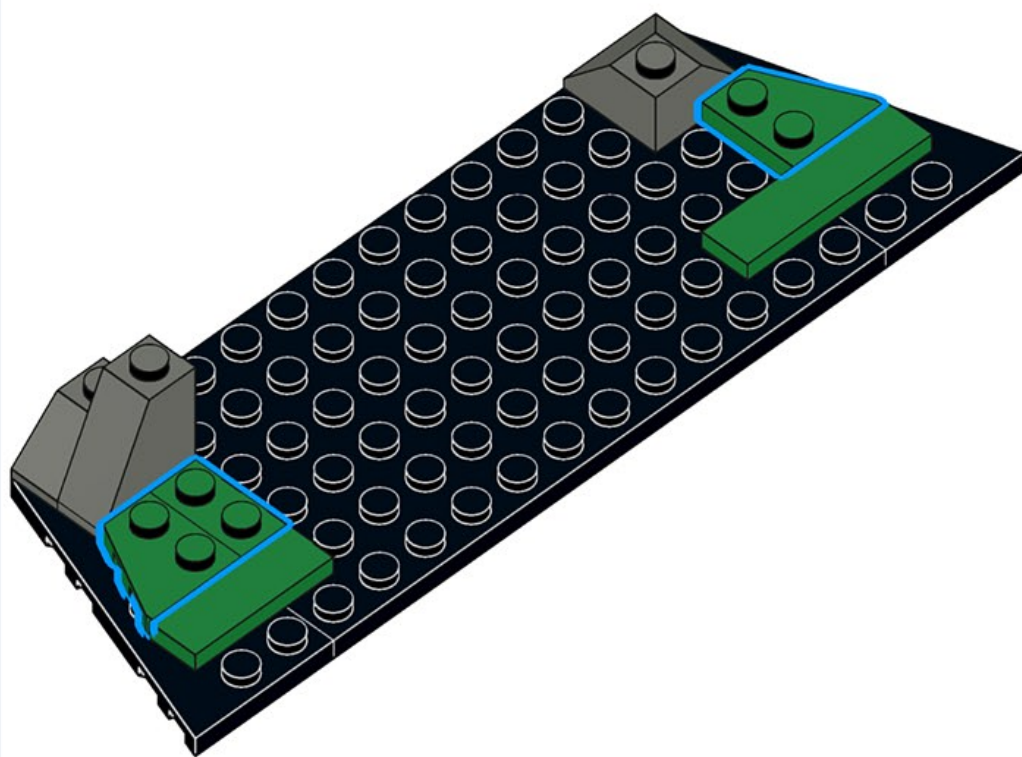
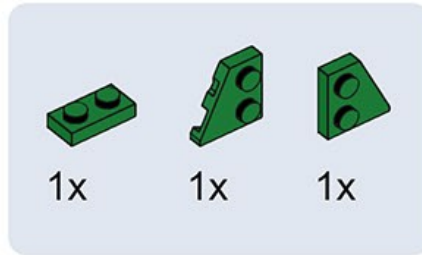




# 39

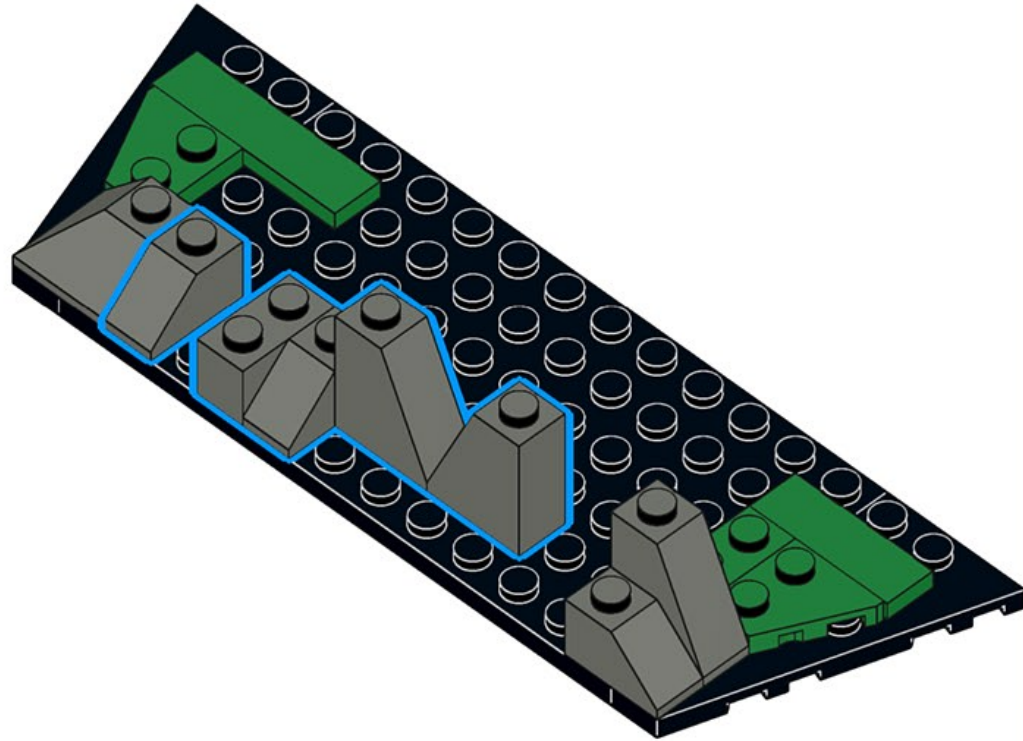
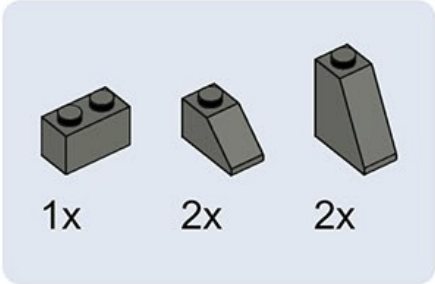


# 40

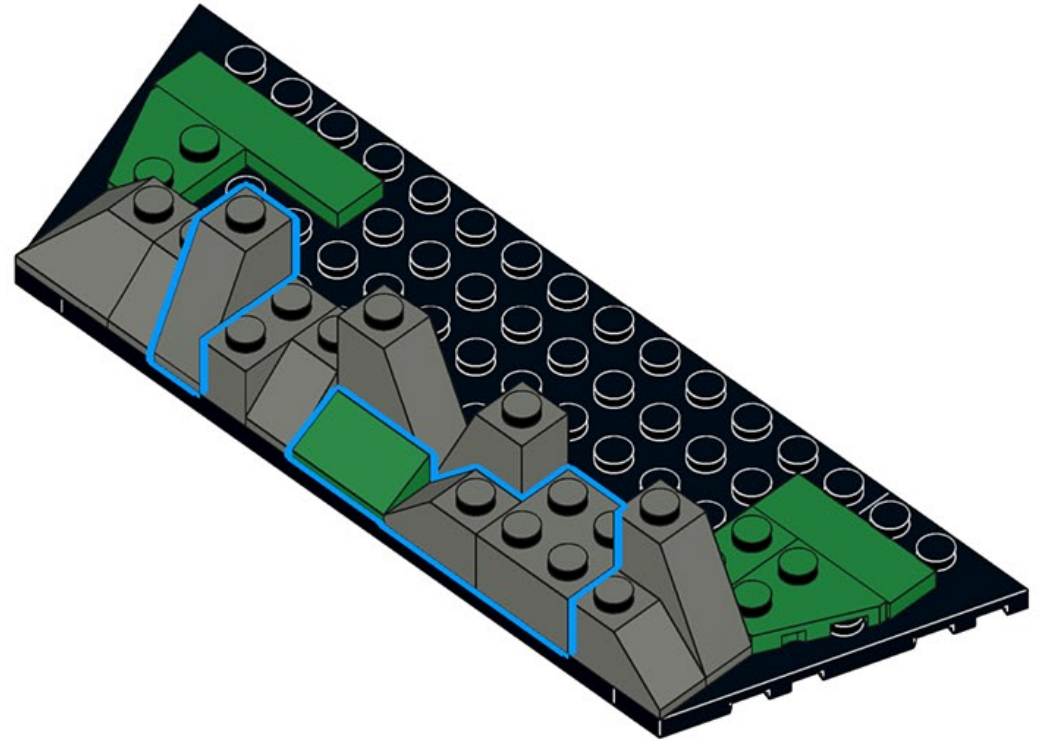
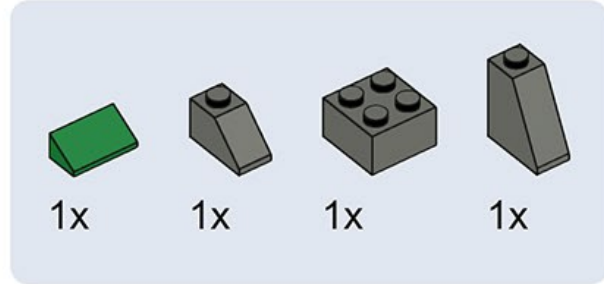




# 41

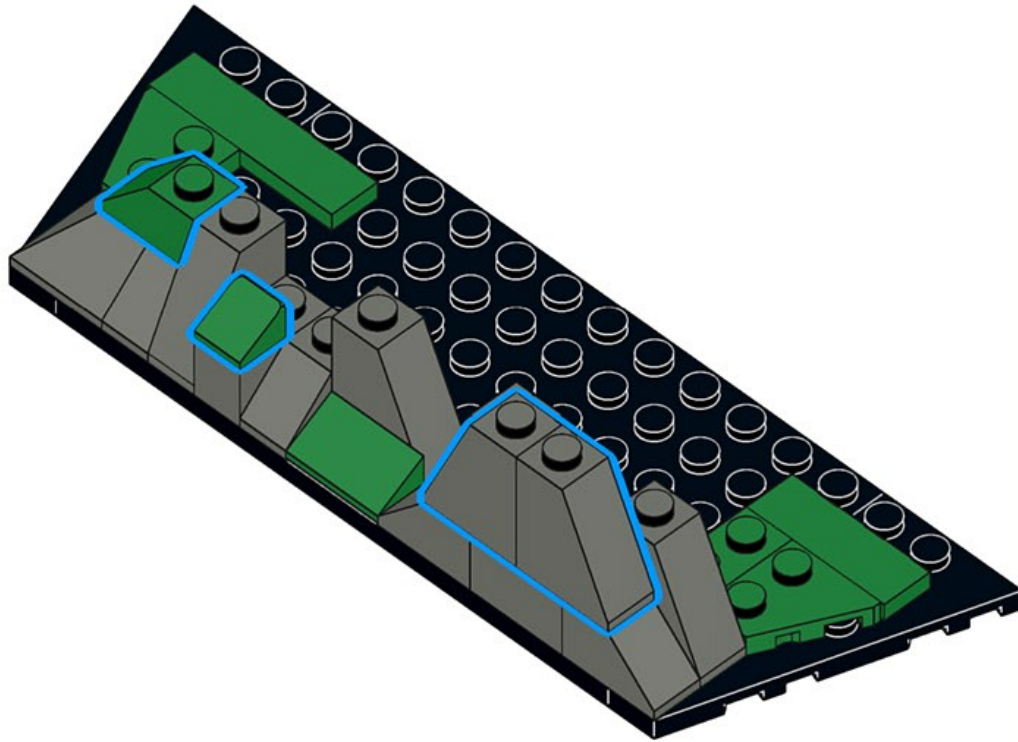
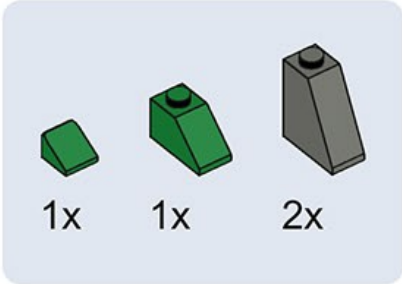


# 42

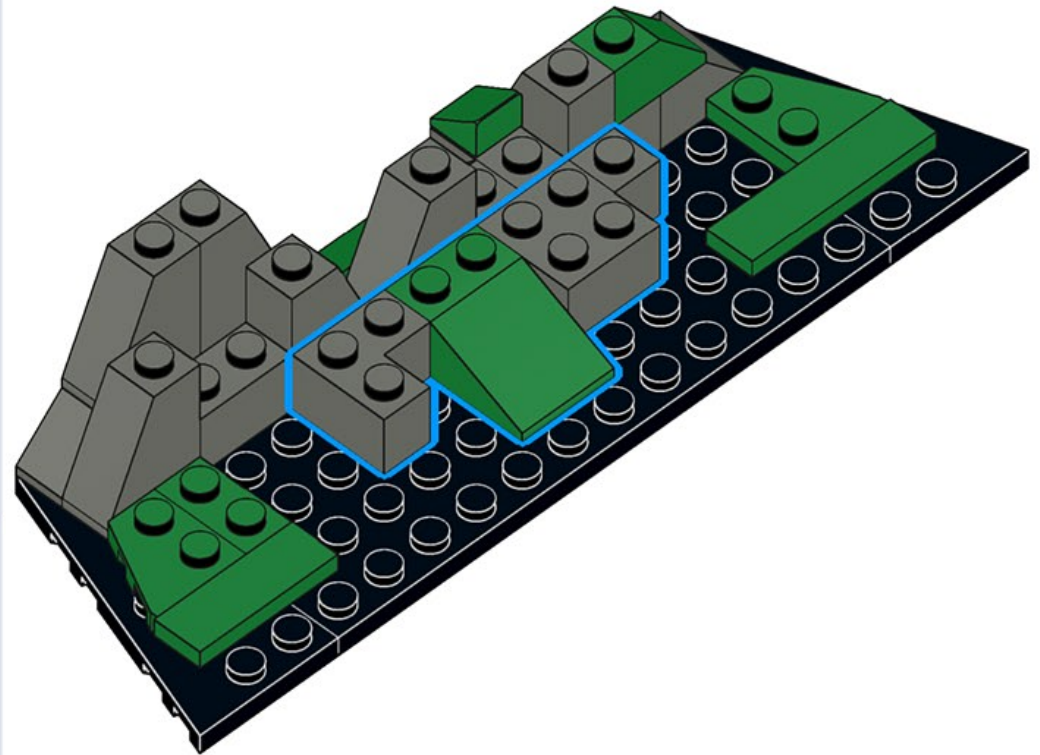
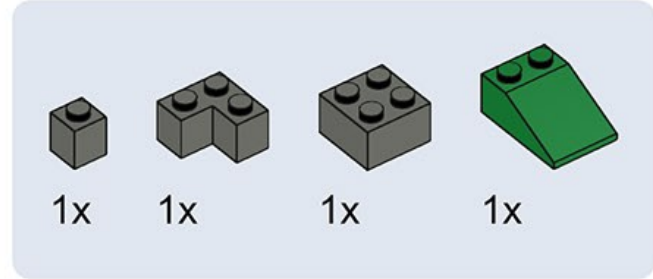




# 43

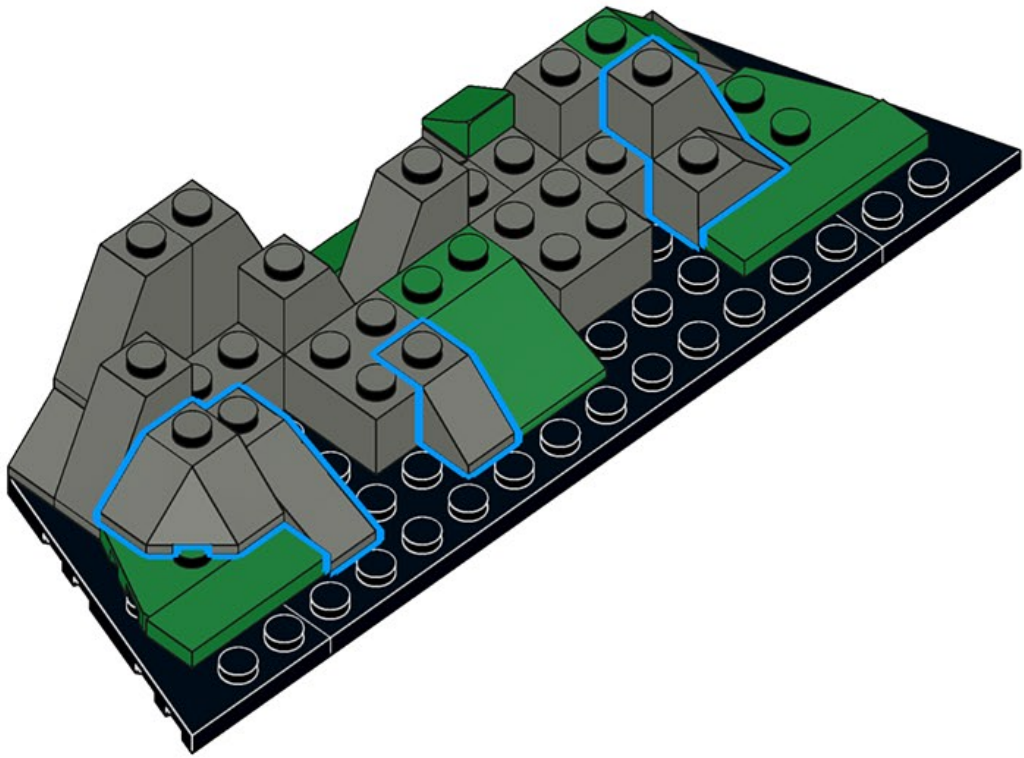
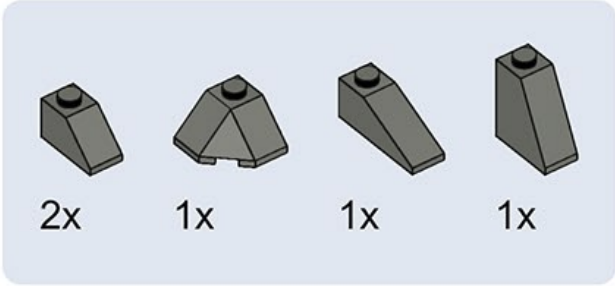


# 44

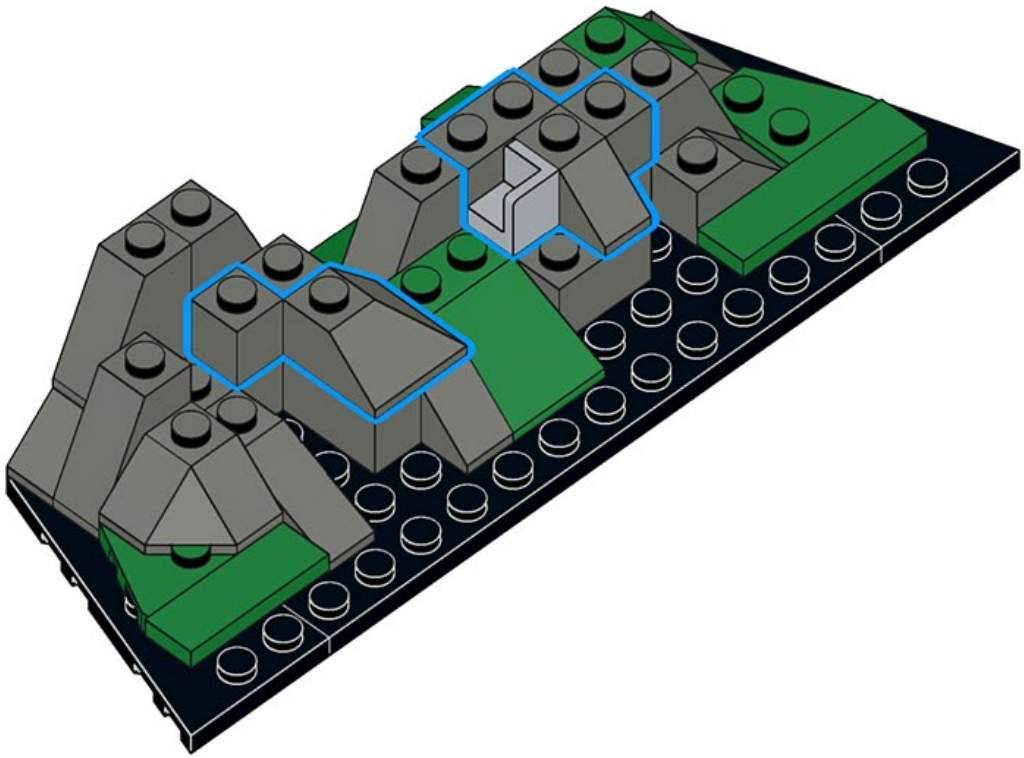
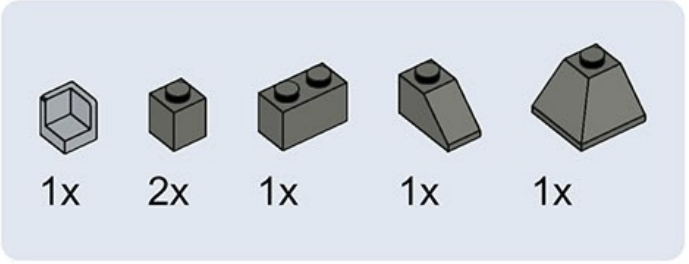




# 45



# 46

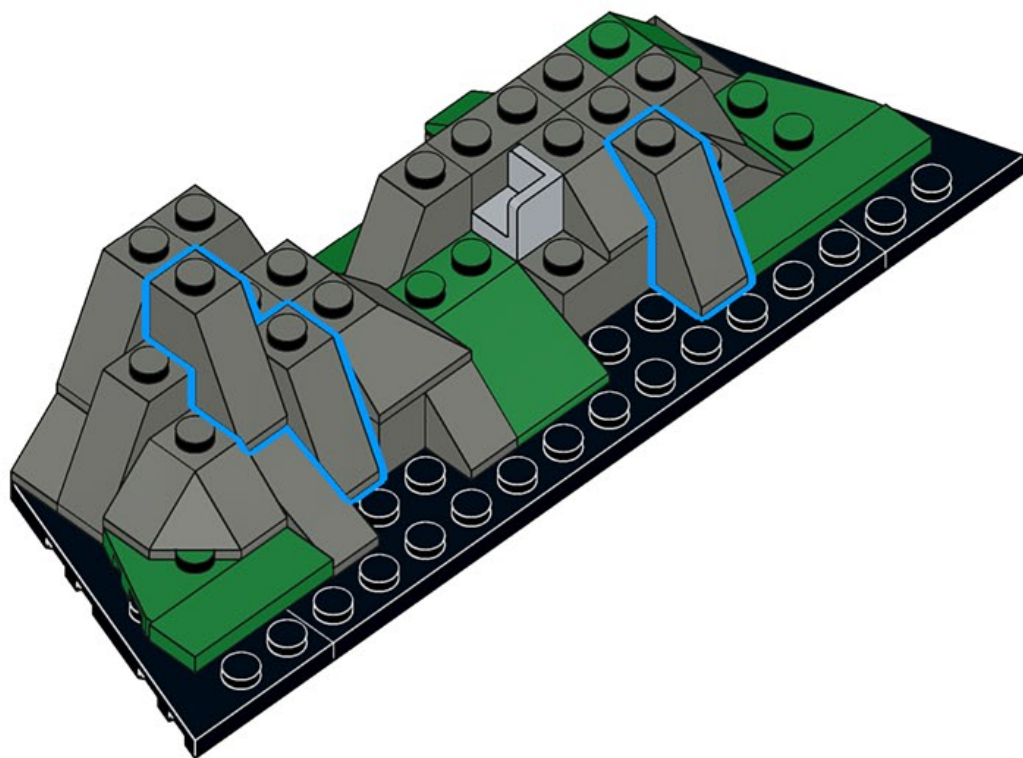




# 47



3x



# 48



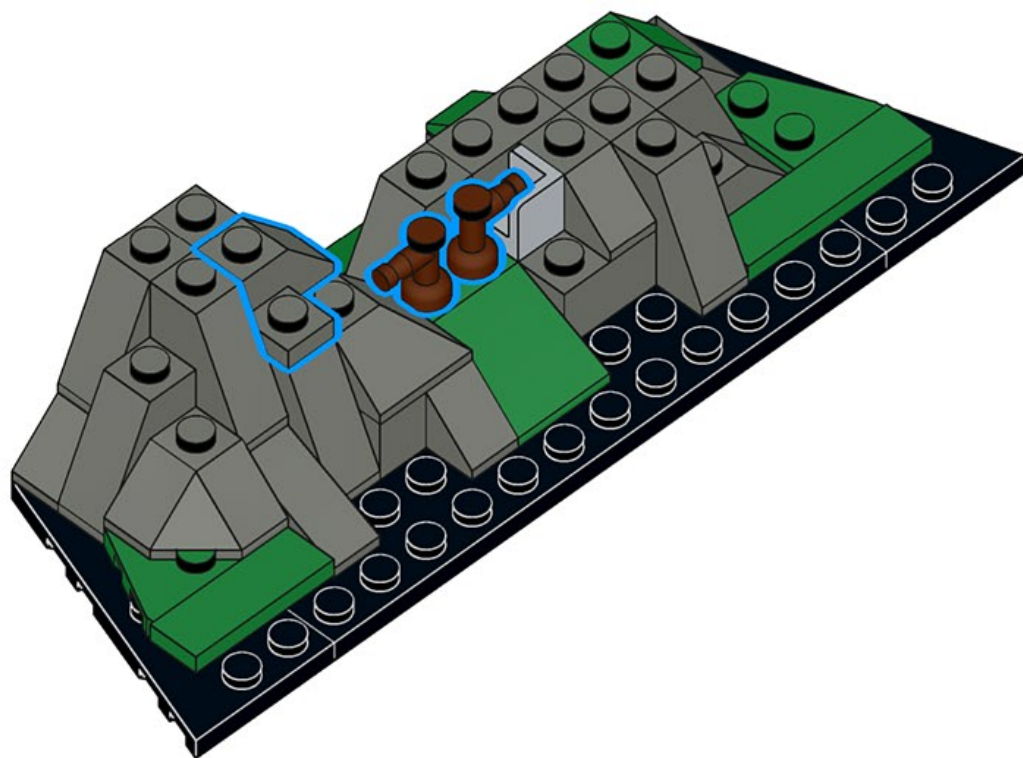
1x



2x

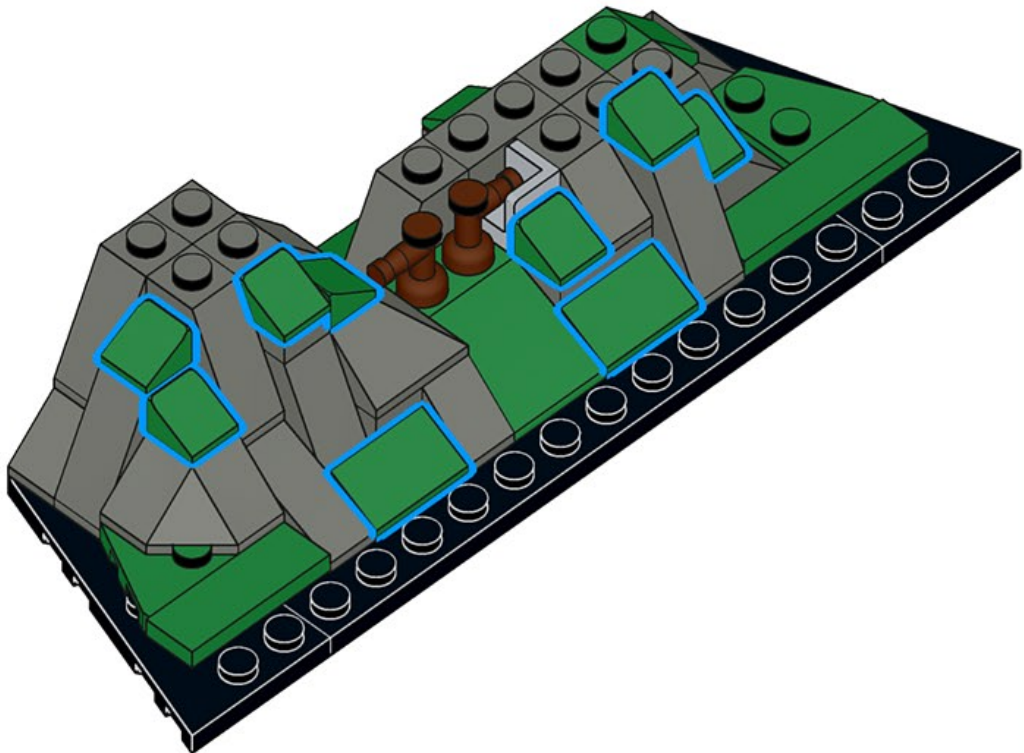
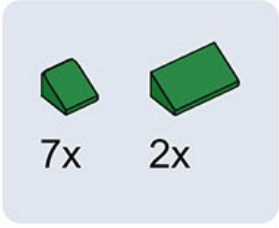


1x

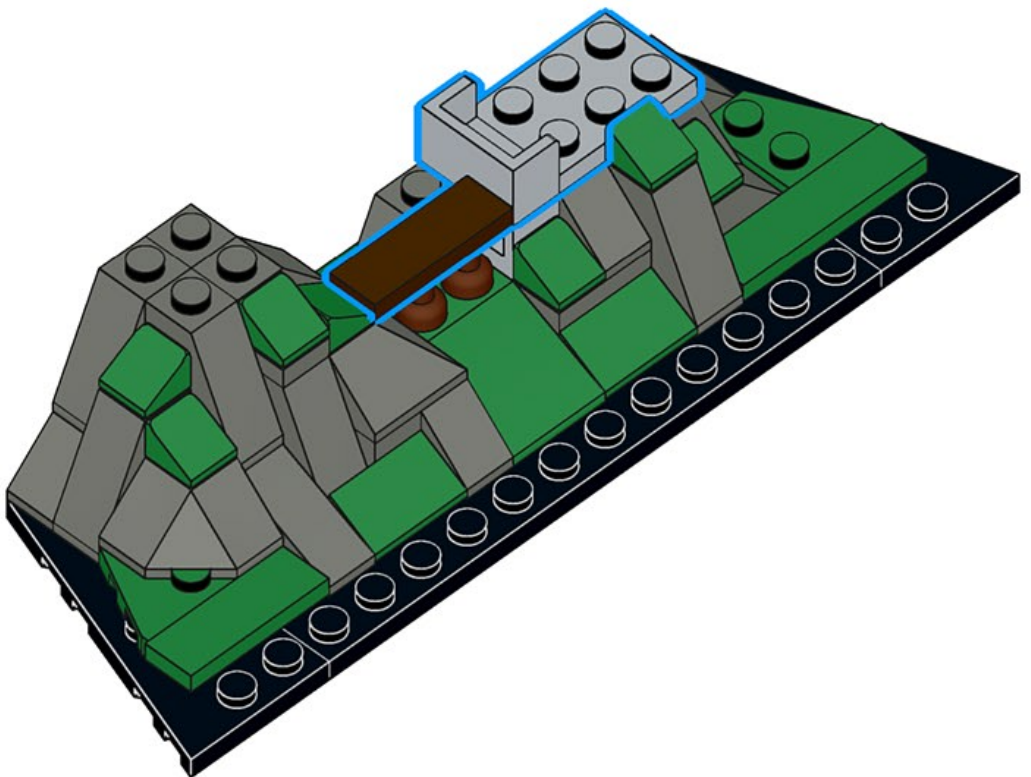
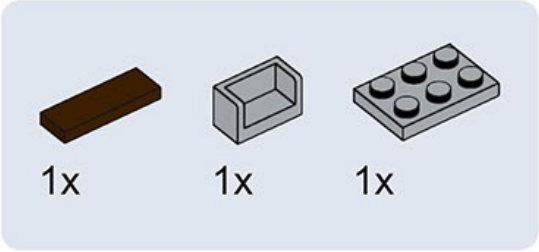




# 49

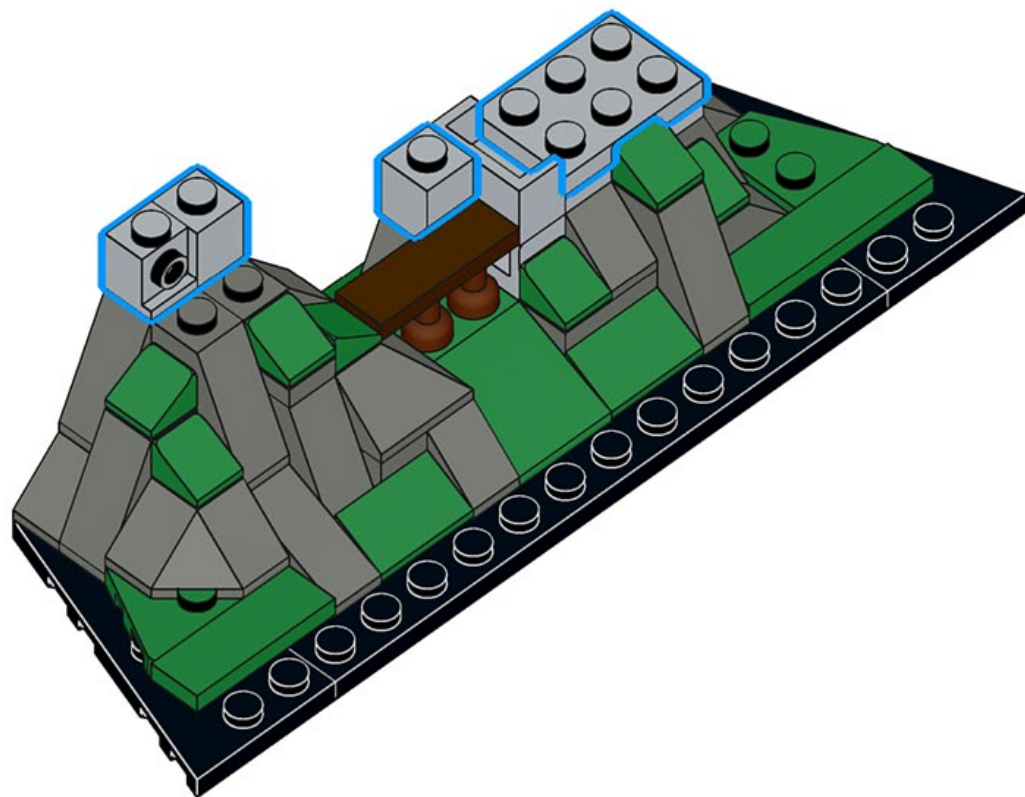
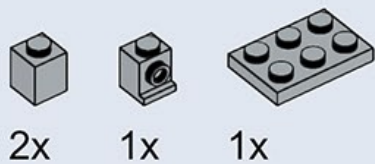


# 50

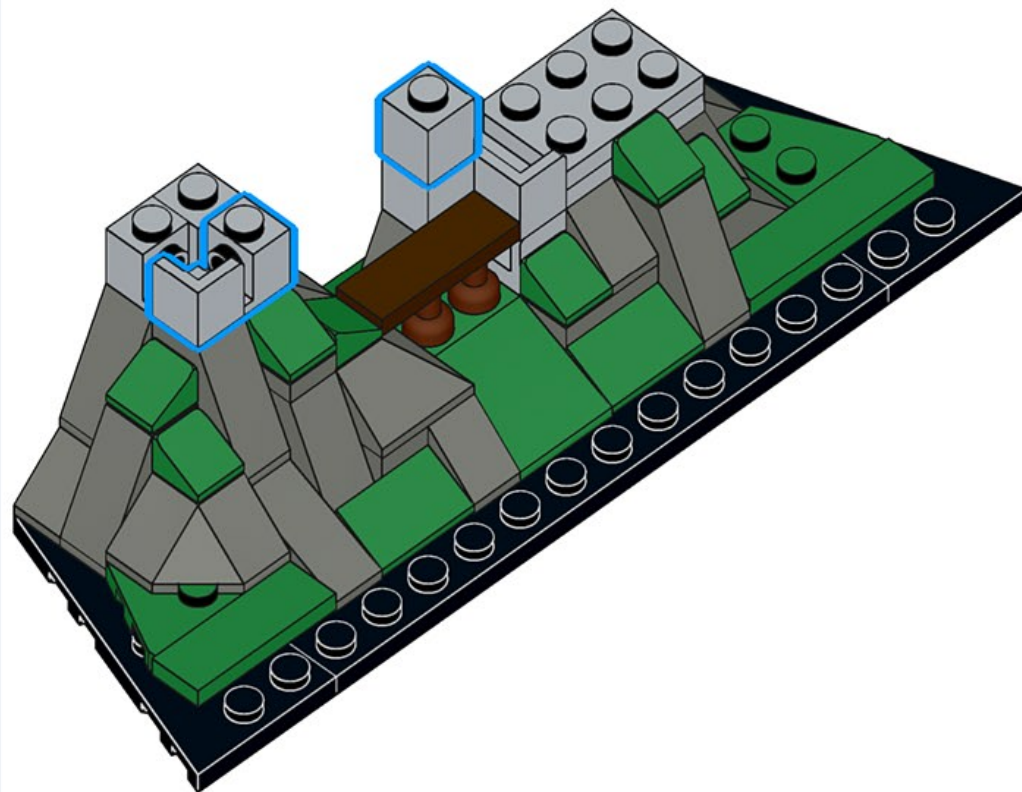




# 51



# 52





# 53



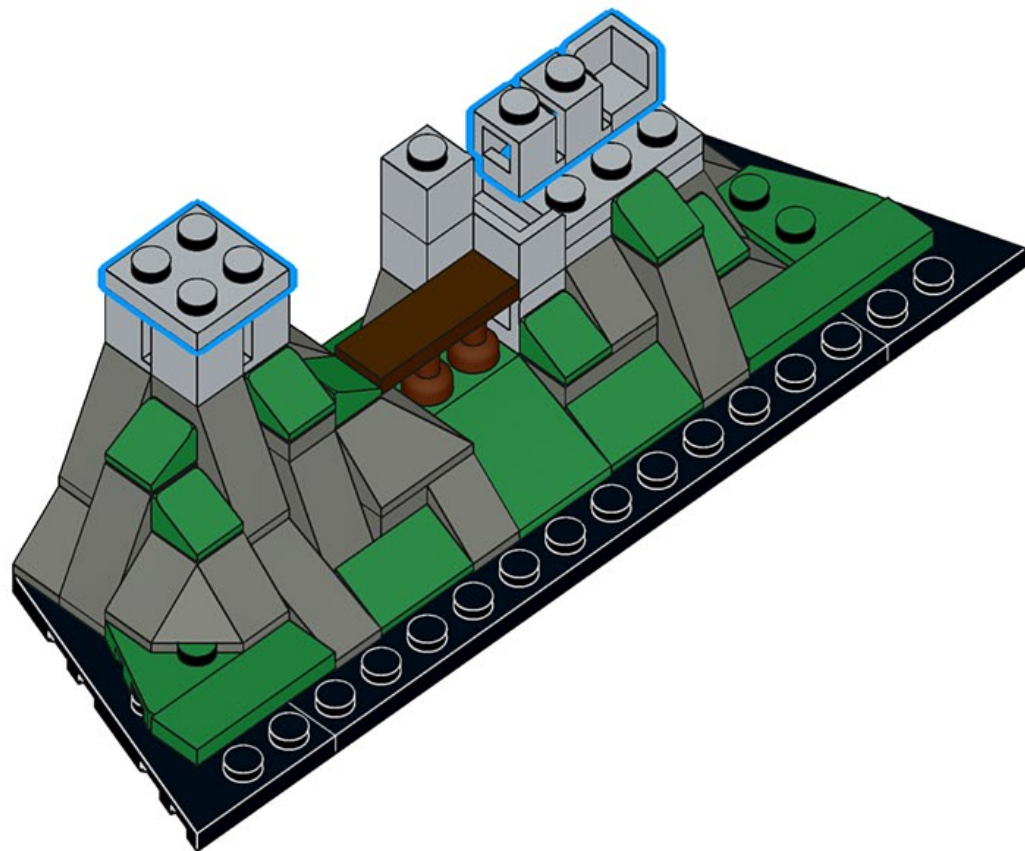
1x



2x



1x



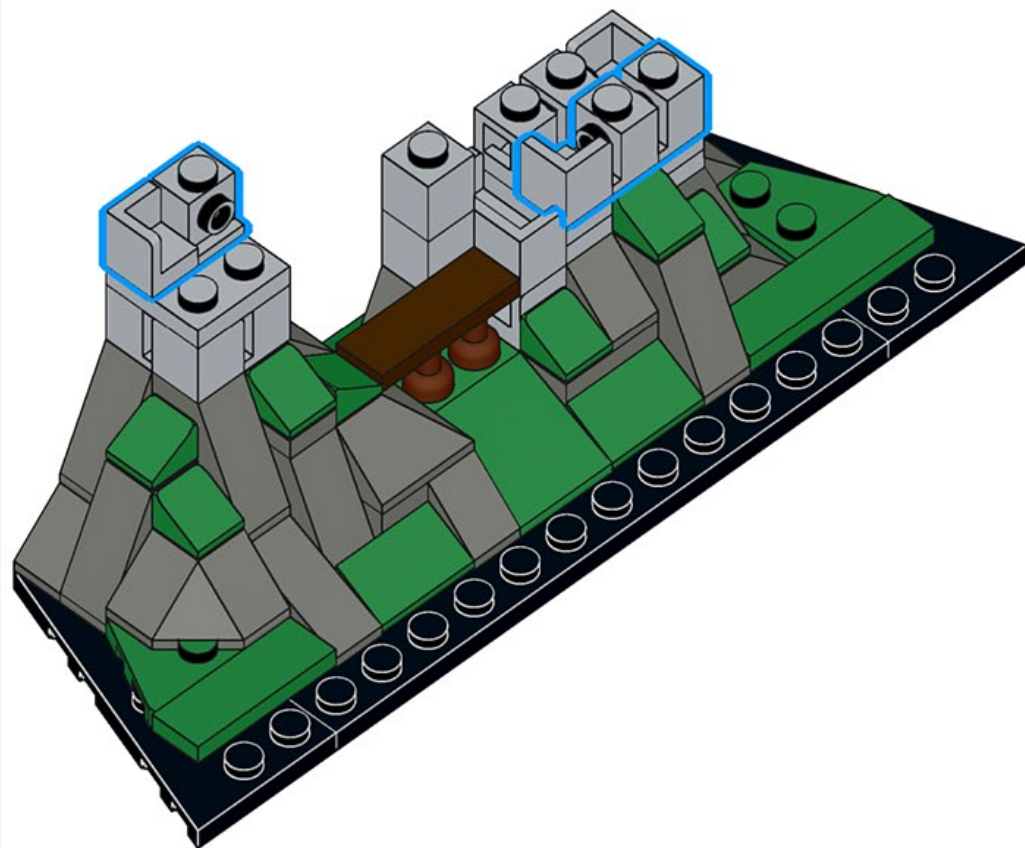
# 54



2x

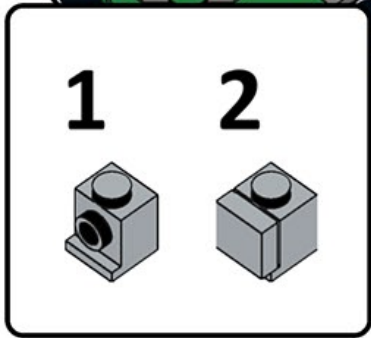
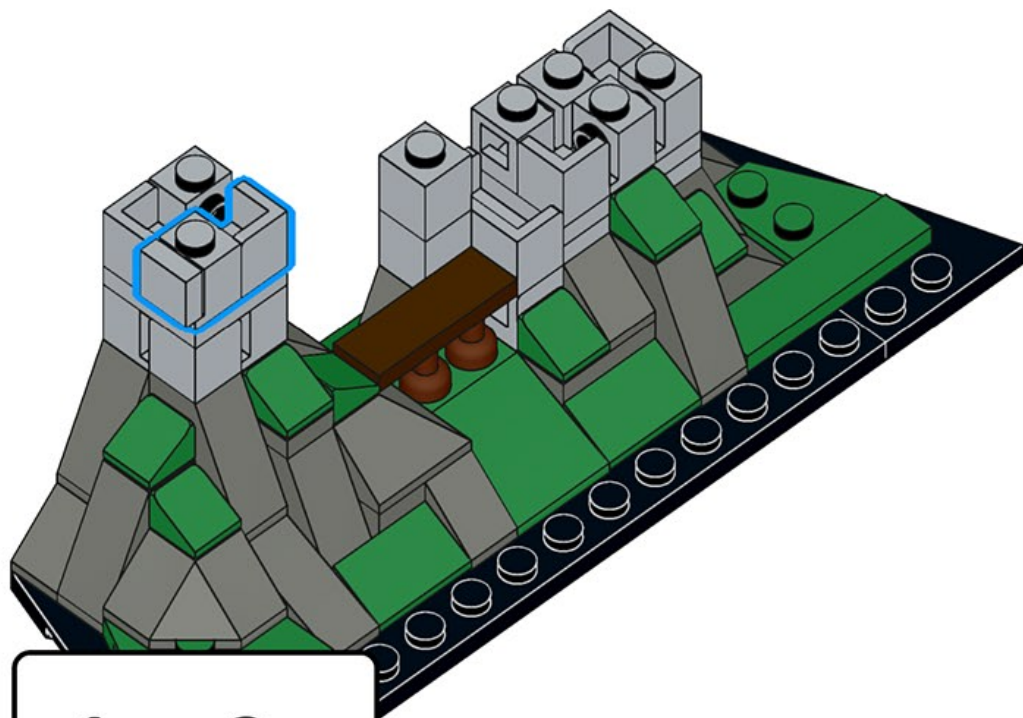
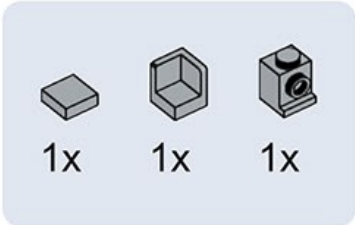


3x

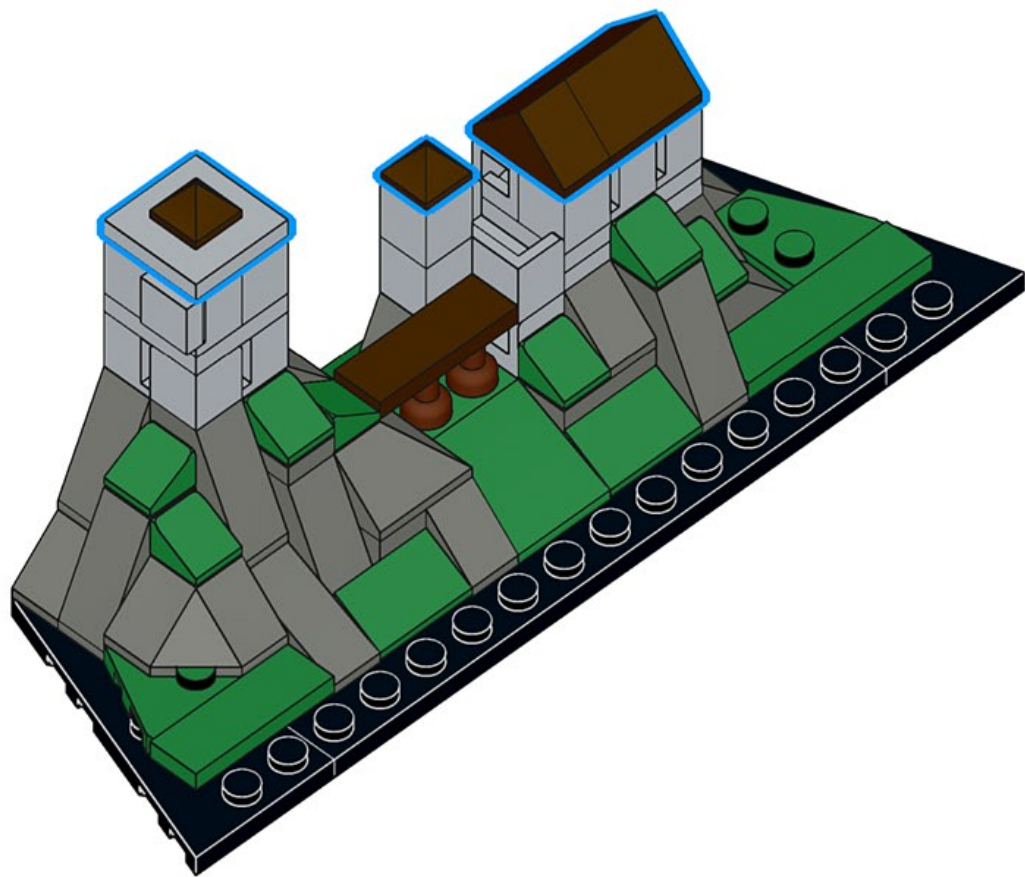
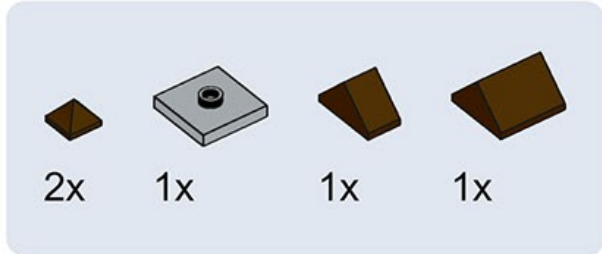




# 55



# 56





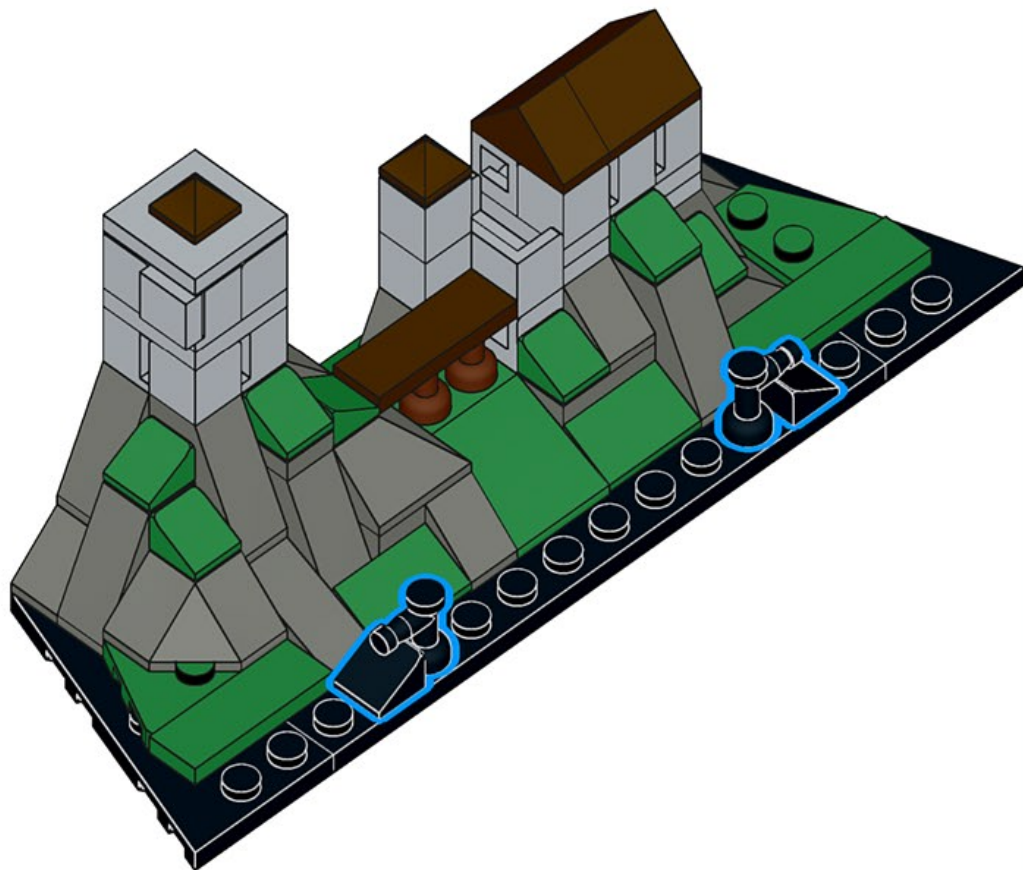
# 57



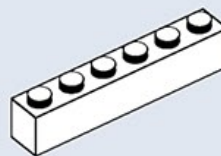
2x



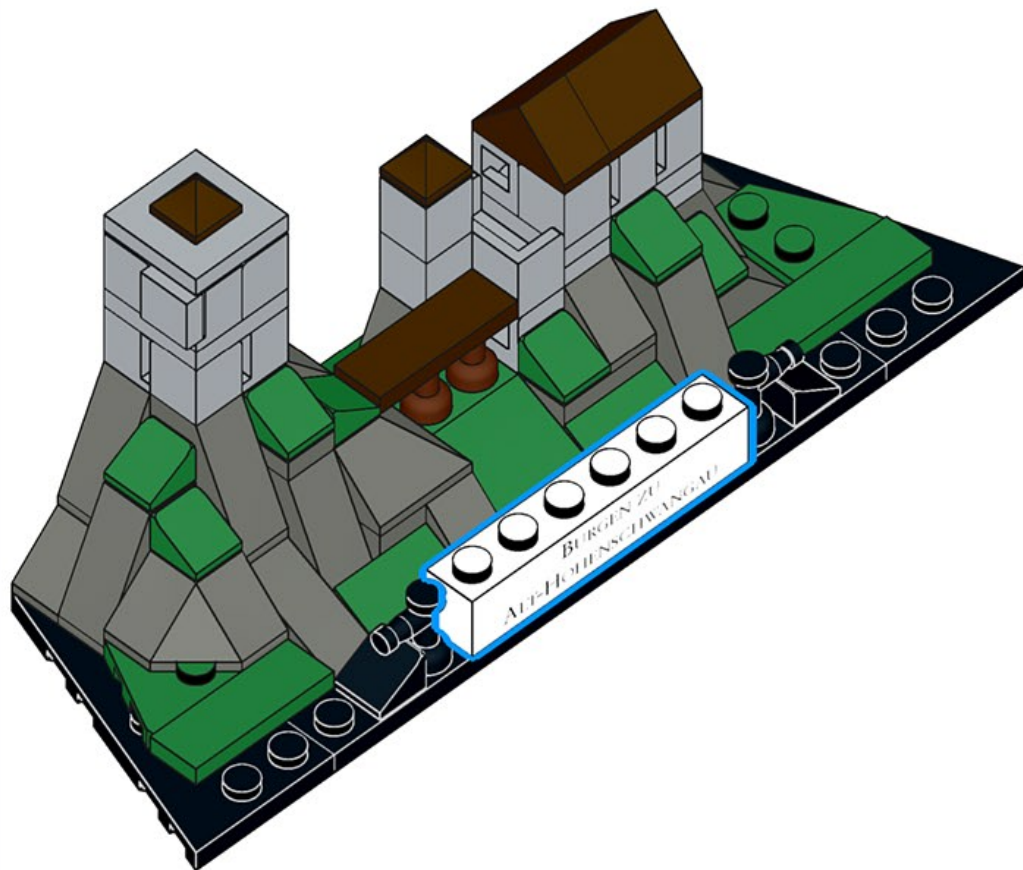
2x



# 58



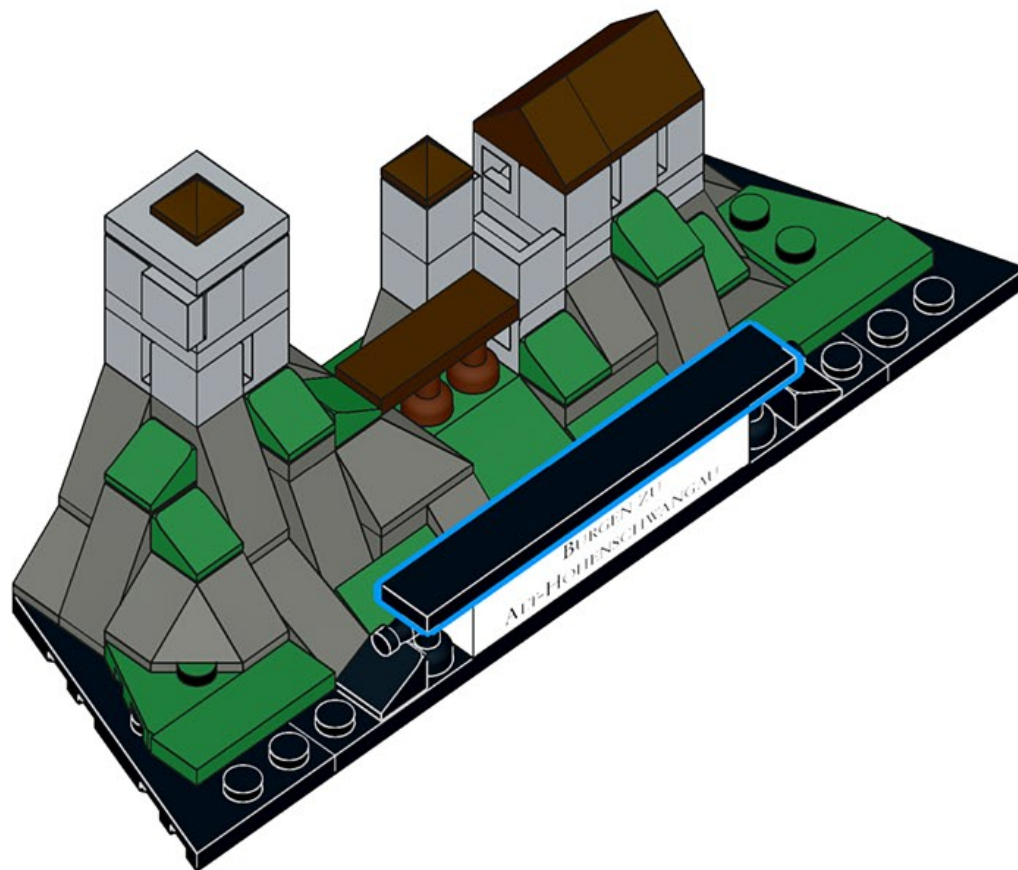
1x



BURGEN ZU  
ALT-HOHENSCHWANGAU

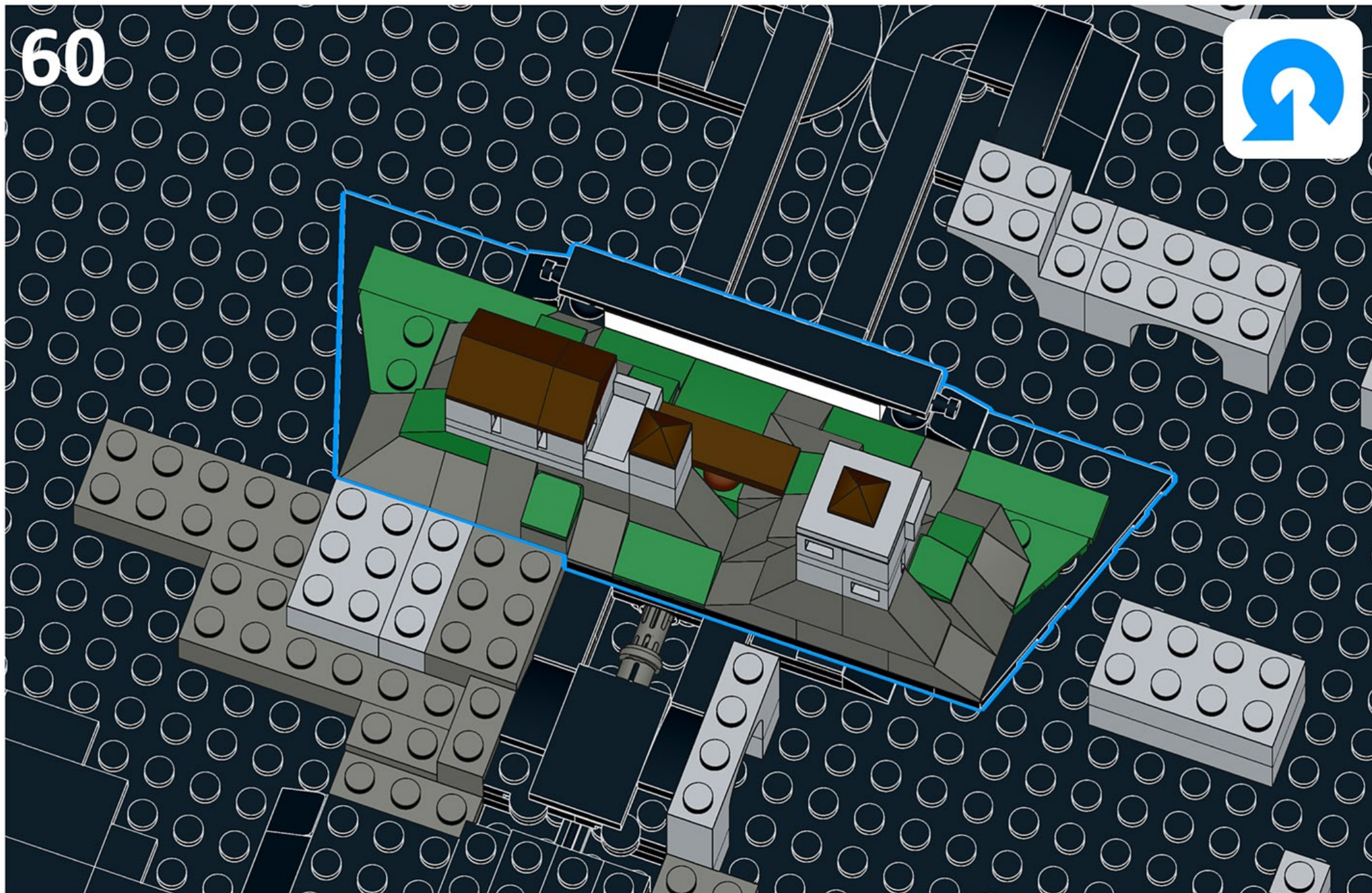


# 59



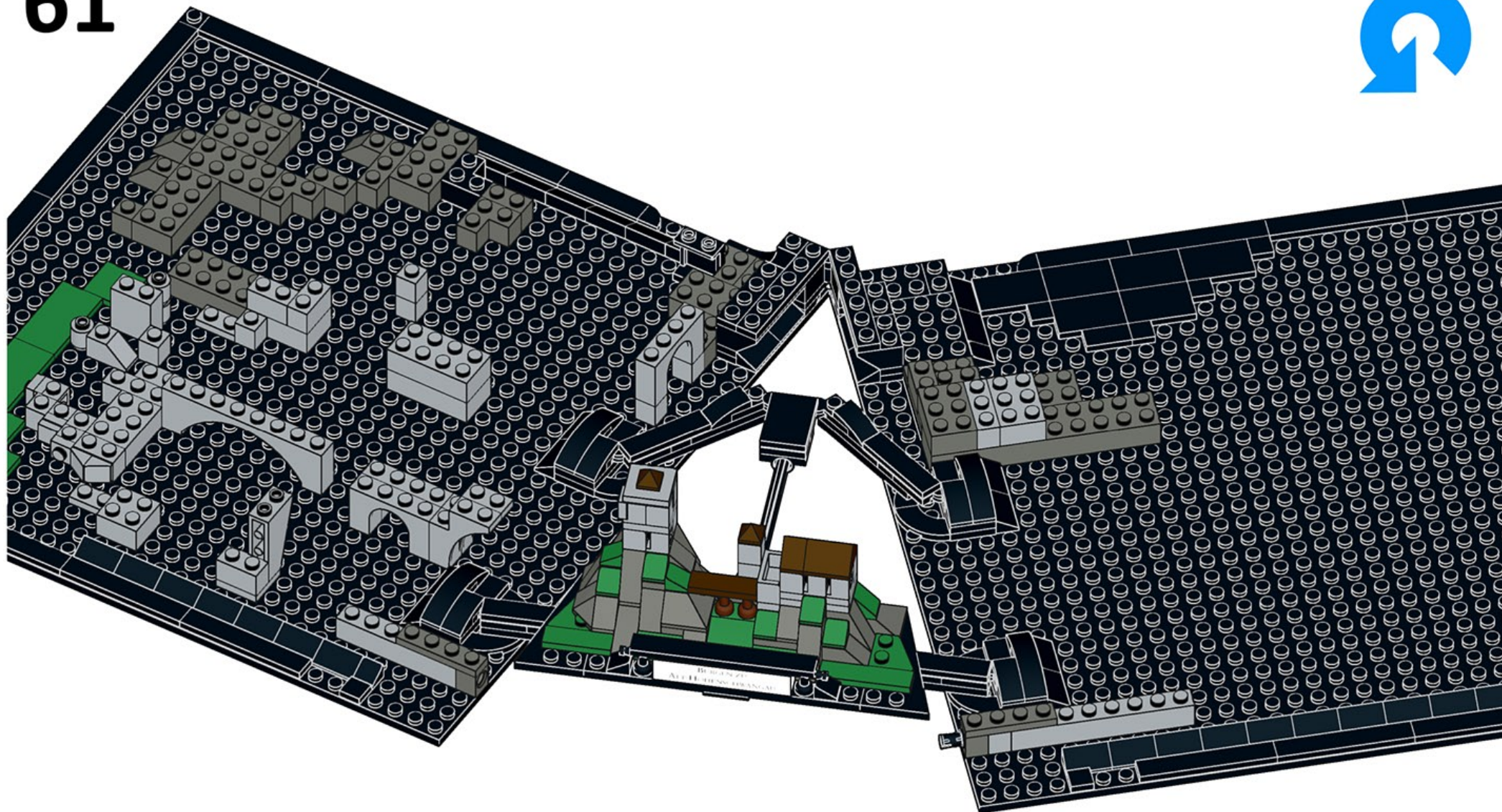


60



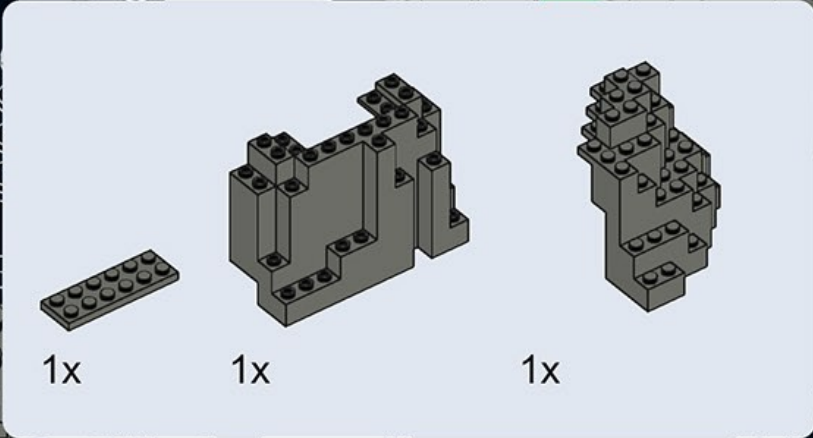


61





62

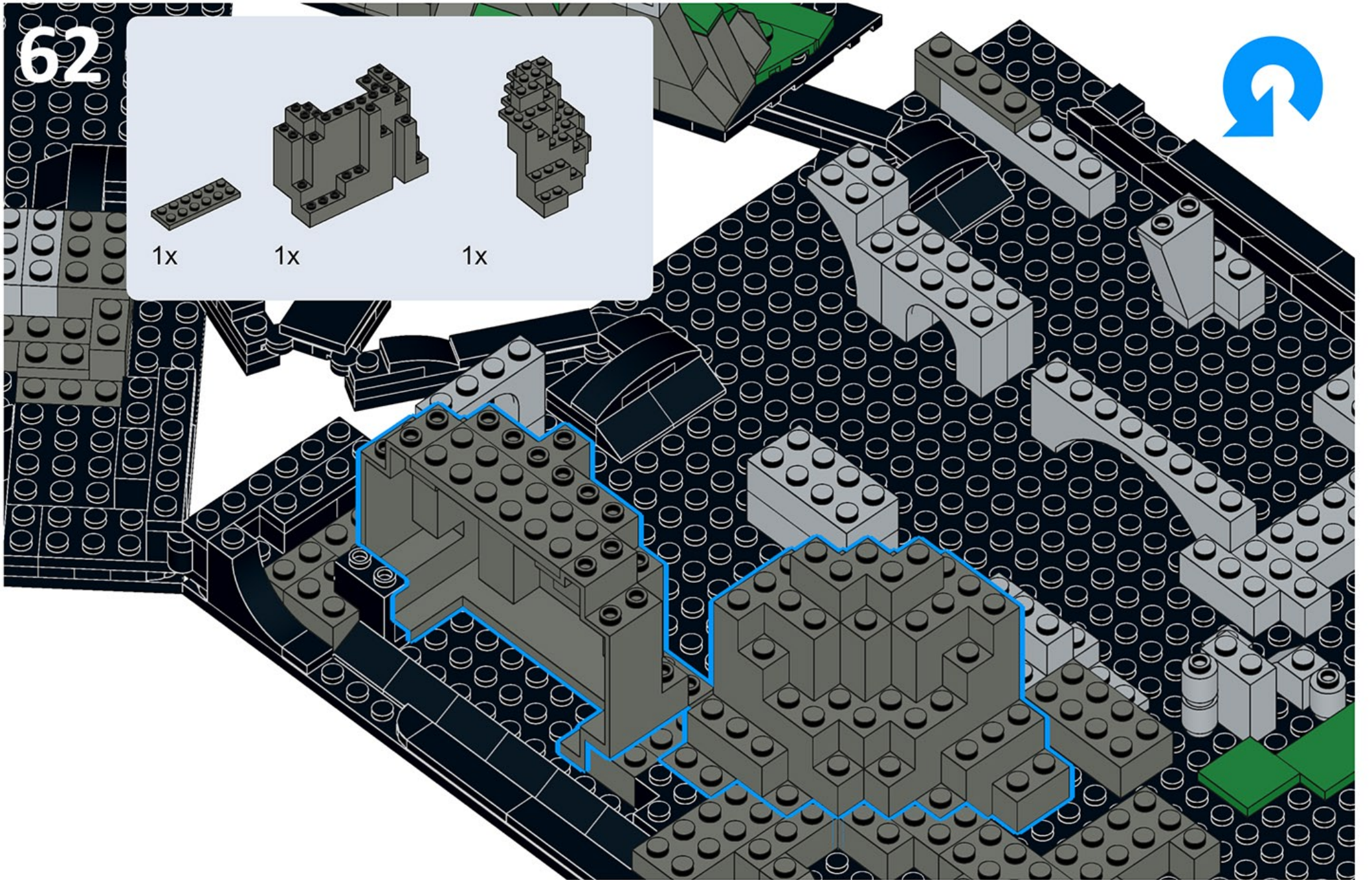


1x

1x








1x

This inset box shows the parts list for step 62. It contains three items: a 1x4 grey Technic brick with a hole, a 1x4 grey Technic brick with a hole and a 1x2 grey Technic brick attached to its side, and a 1x4 grey Technic brick with a hole and a 1x2 grey Technic brick attached to its side. Each item is labeled with '1x' below it.





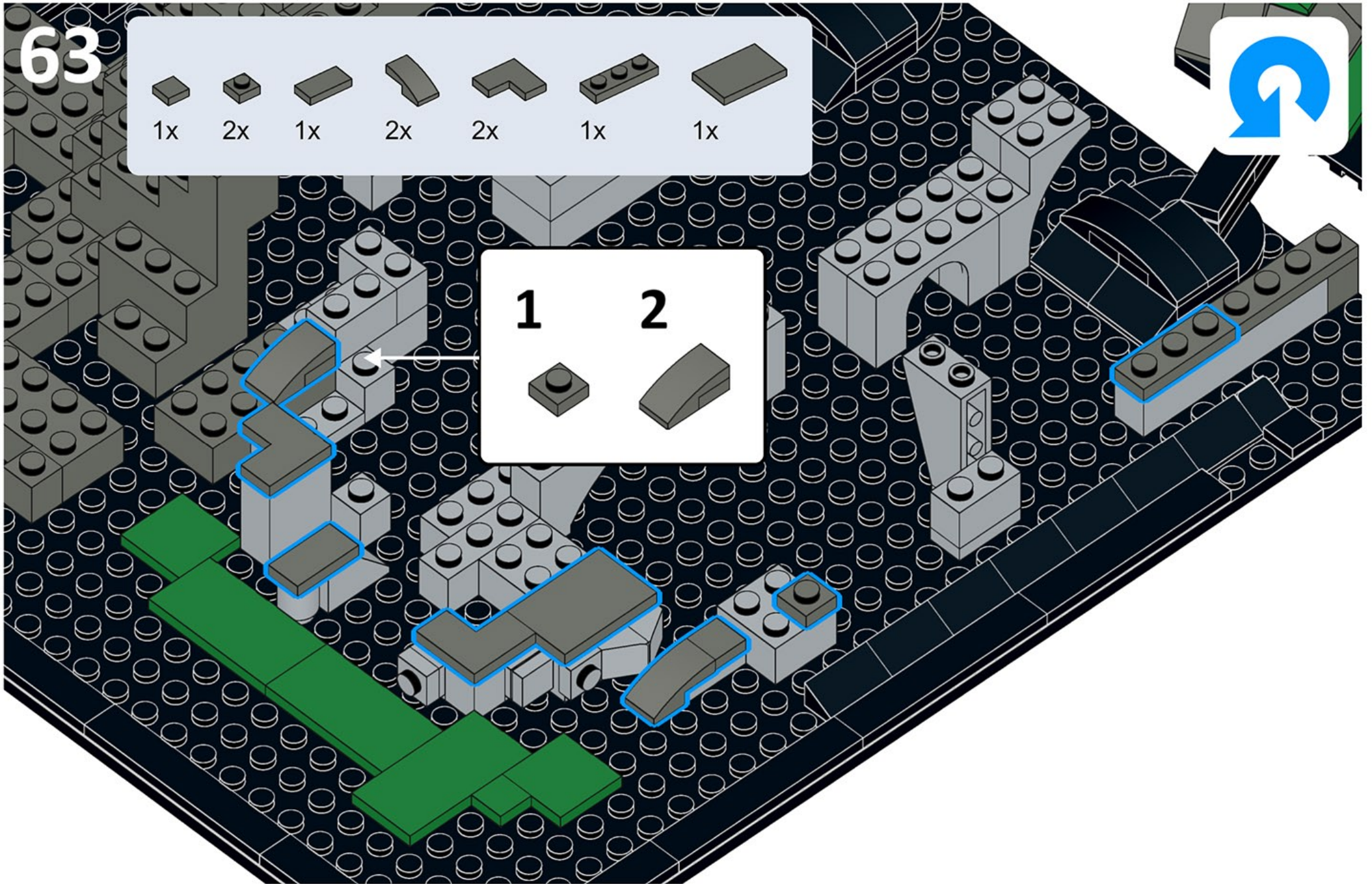


63

						
1x	2x	1x	2x	2x	1x	1x

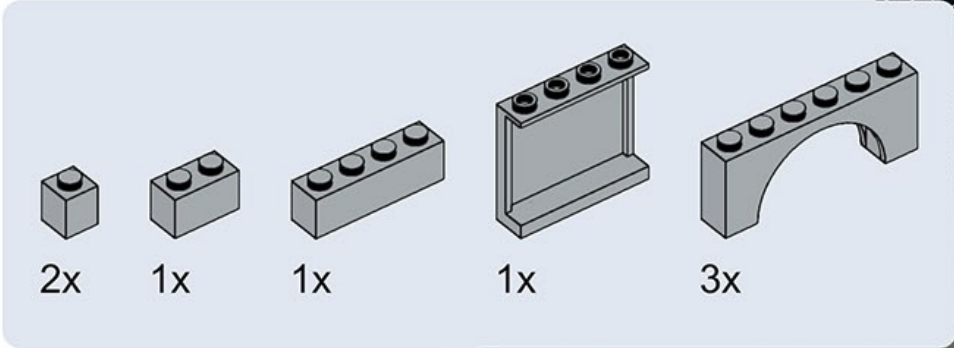


<b>1</b>	<b>2</b>
	



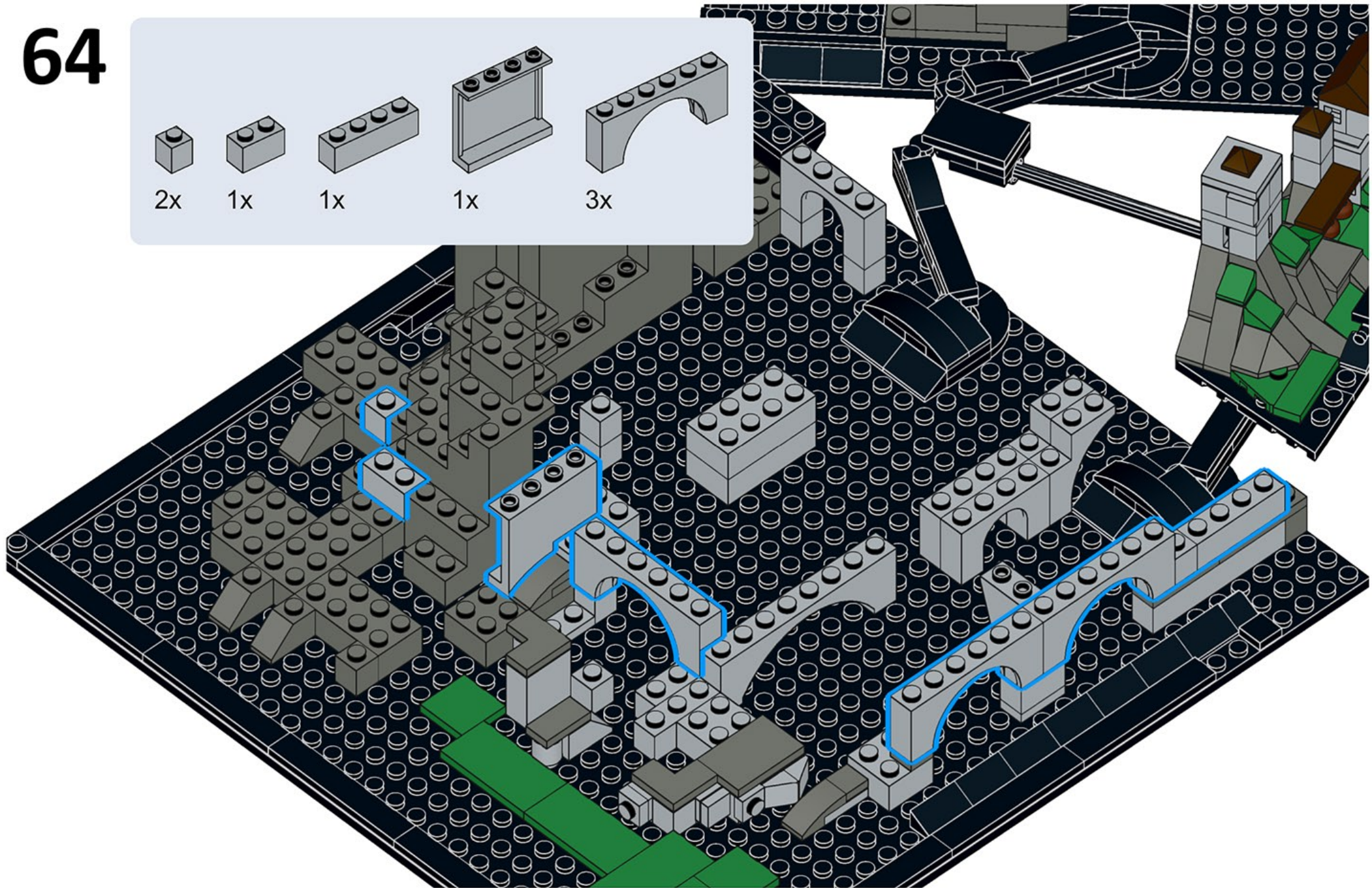


# 64



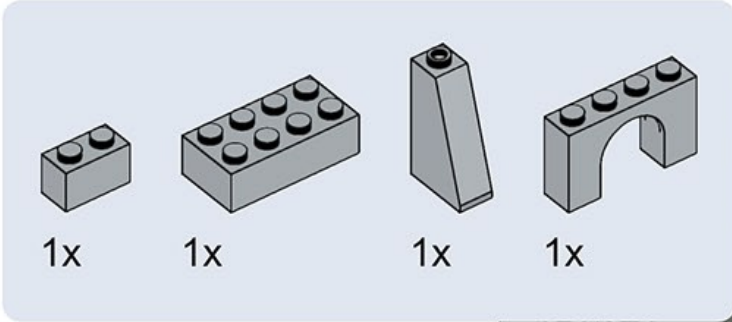
2x 1x 1x 1x 3x

This block contains a parts list for step 64. It features five illustrations of grey LEGO Technic parts with their respective quantities listed below them: a 1x1 square brick (2x), a 1x2 brick (1x), a 1x3 brick (1x), a 1x3 Technic brick with a central hole (1x), and a 1x3 Technic brick with a central arch (3x).



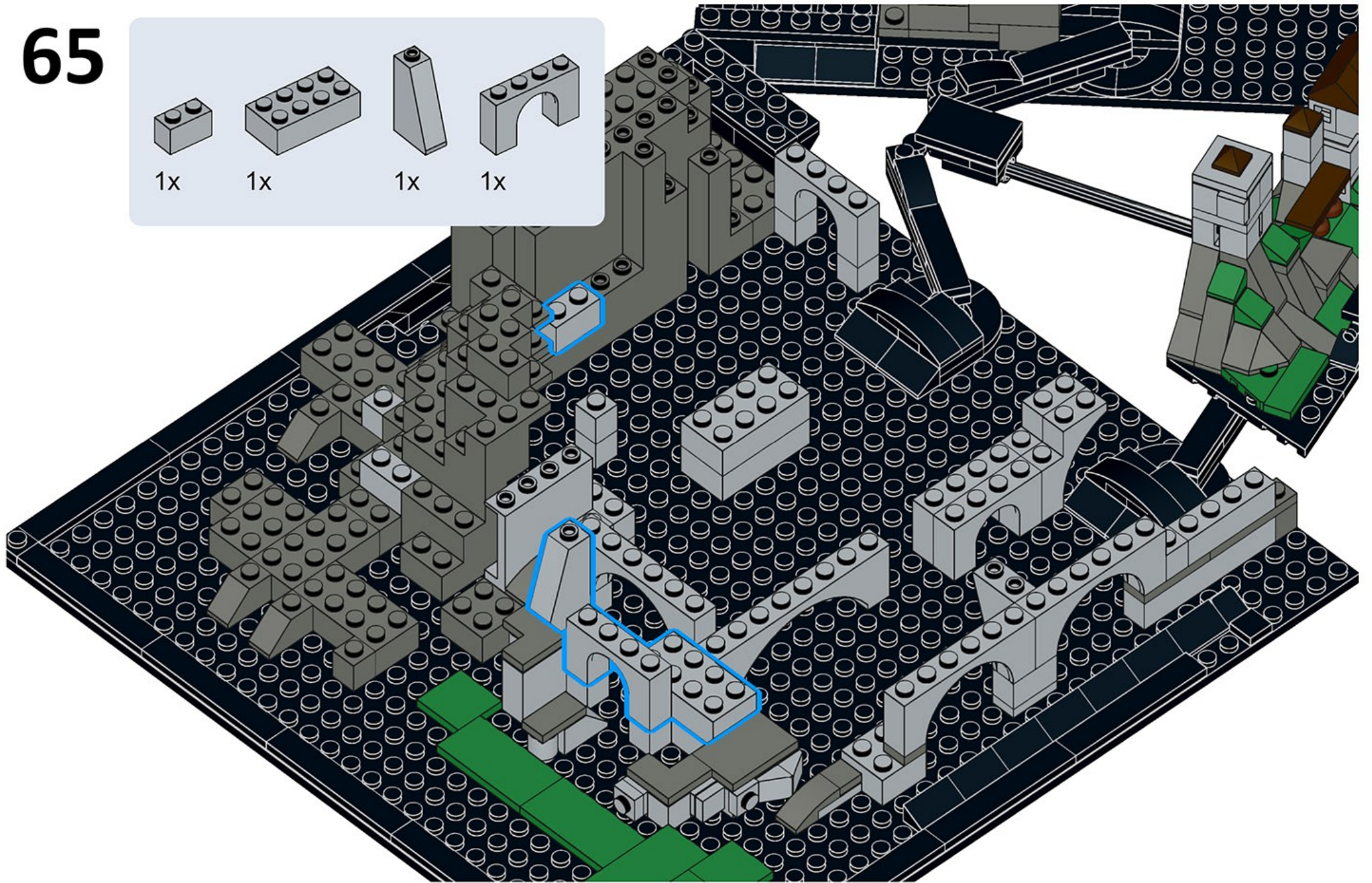


# 65



1x 1x 1x 1x

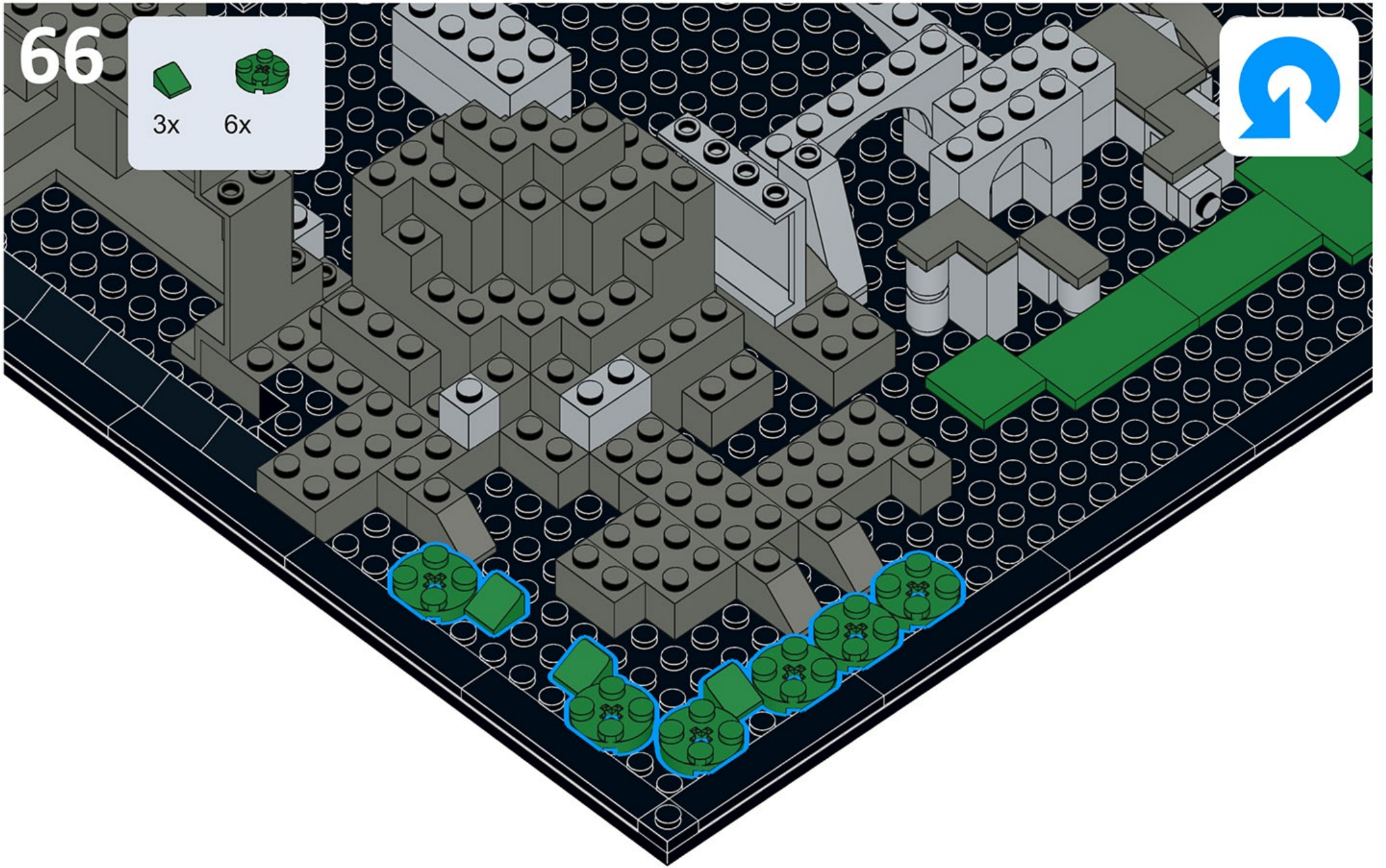
This inset box lists the required parts for step 65. It contains four items, each with a '1x' quantity label below it: a 1x2 grey Technic brick, a 1x4 grey Technic brick, a grey Technic wedge, and a grey Technic arch.





66

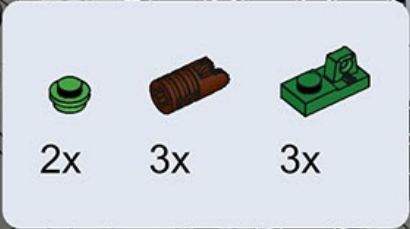
3x  6x 



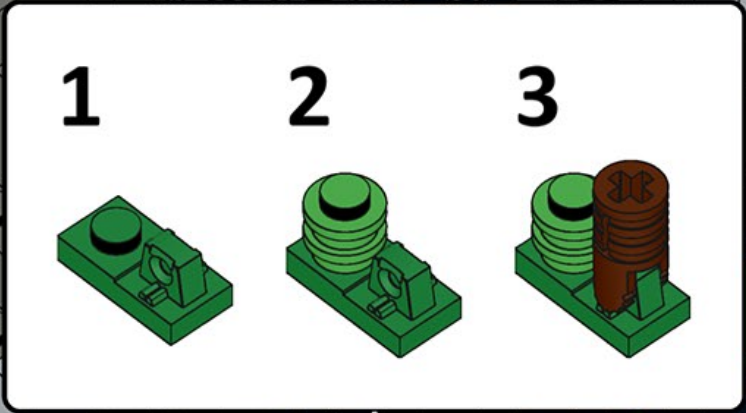


67

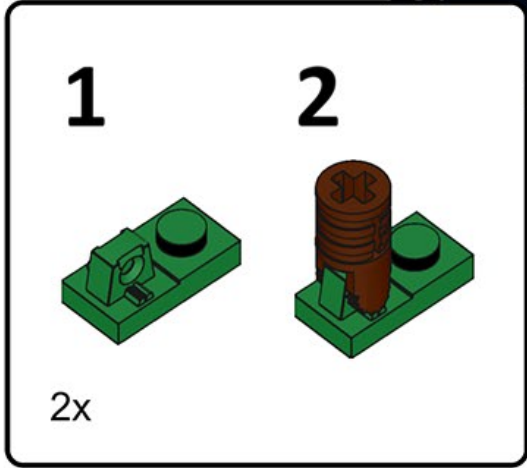
2x 3x 3x



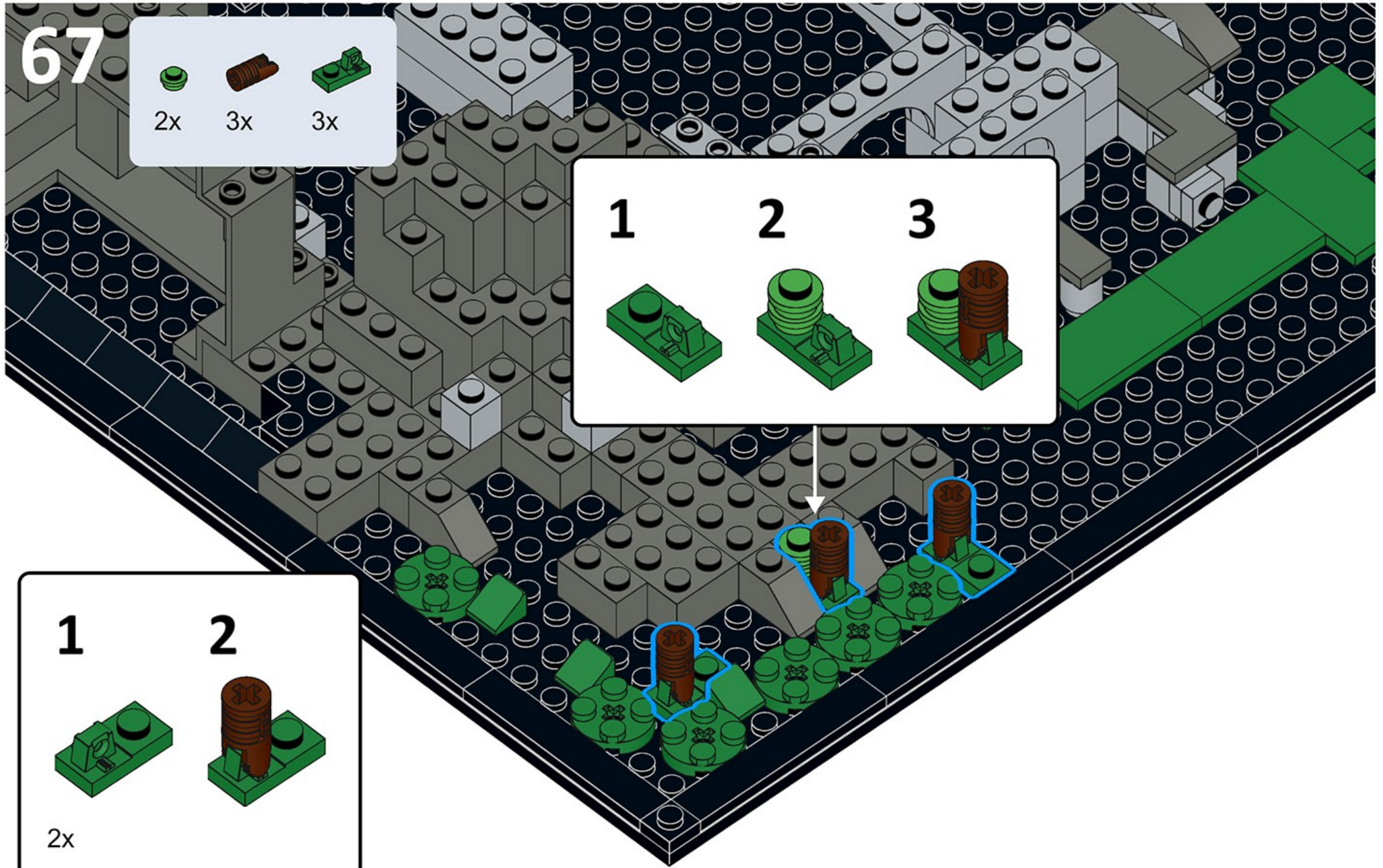
1 2 3



1 2



2x





68



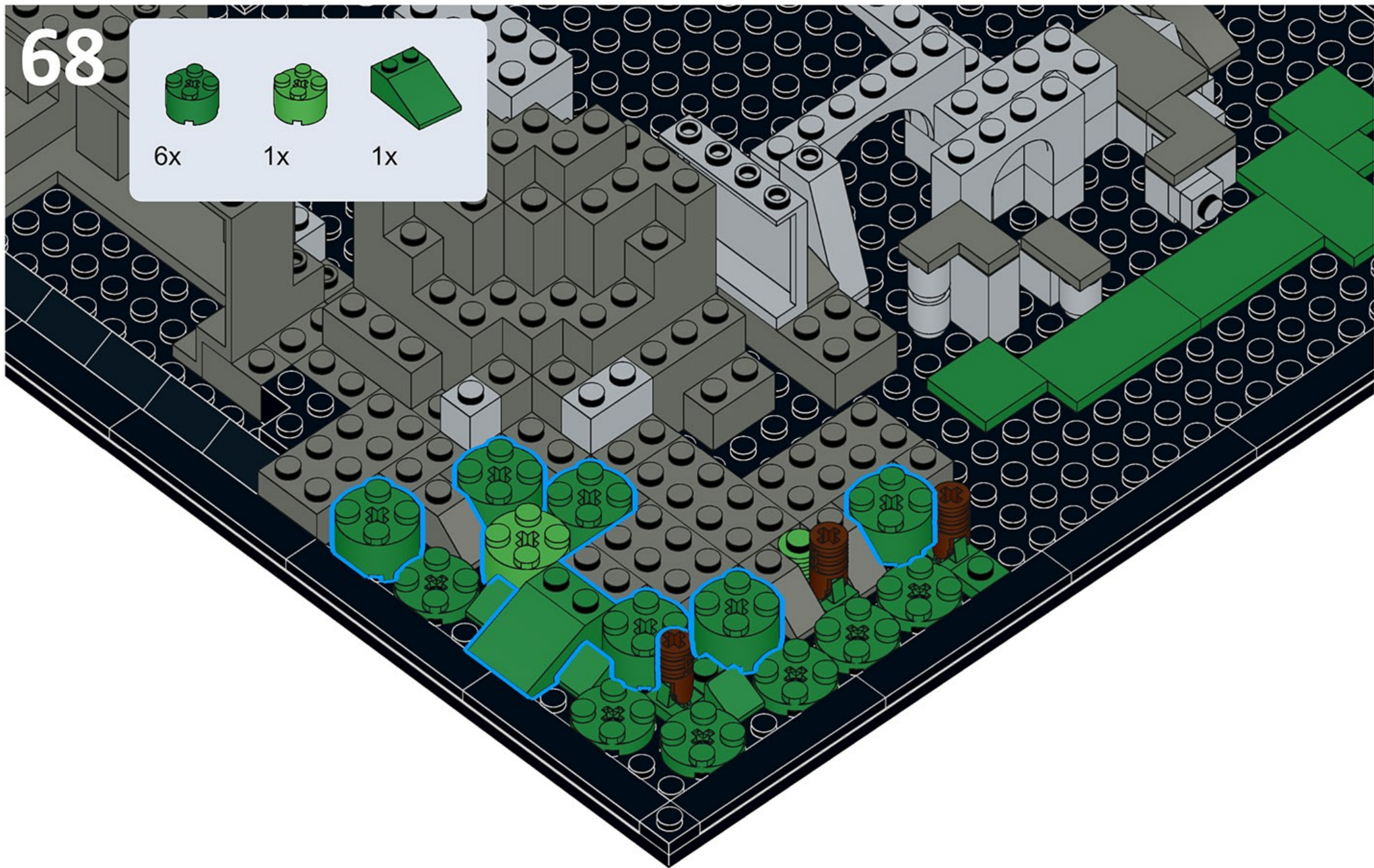
6x



1x








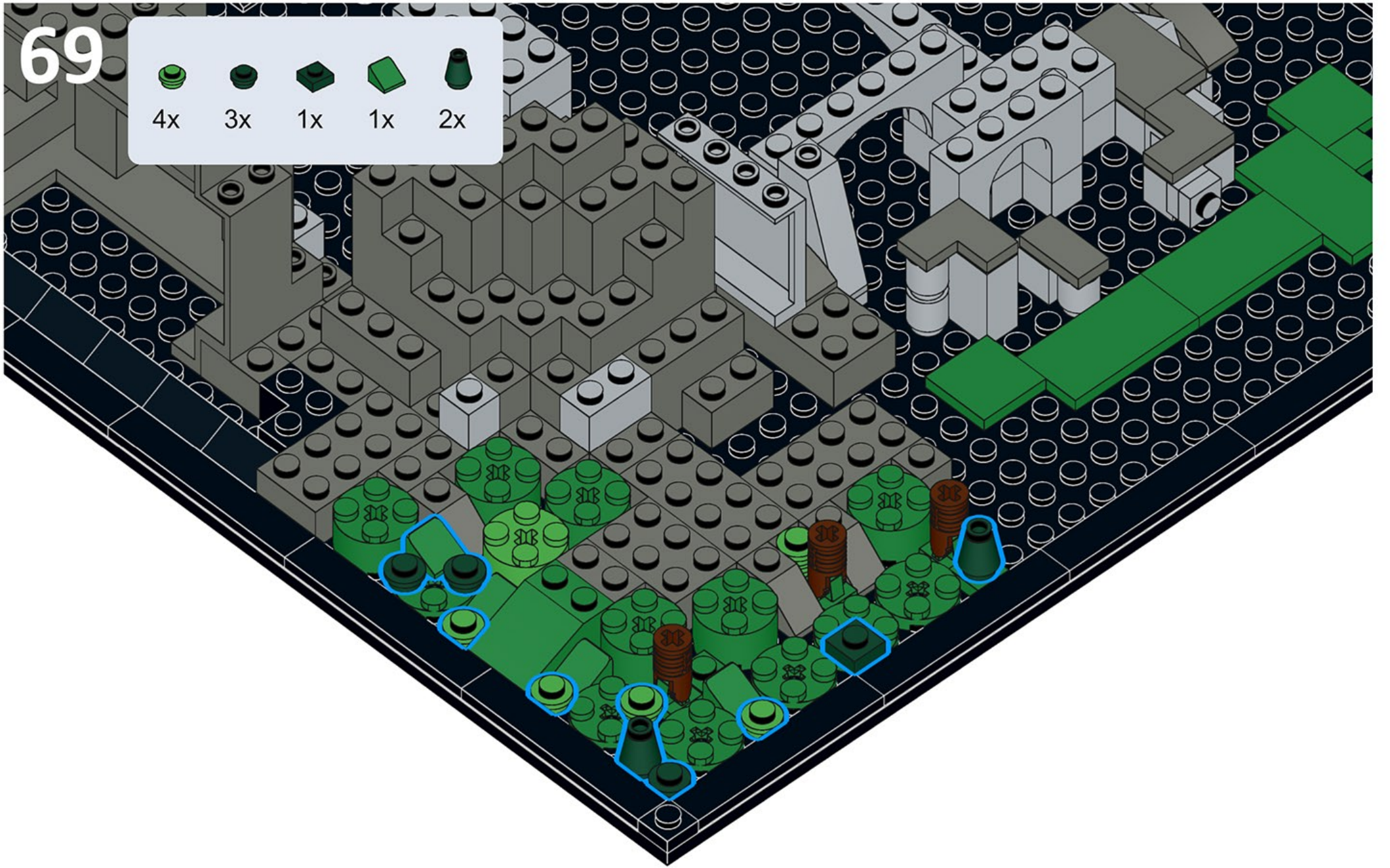
1x





69

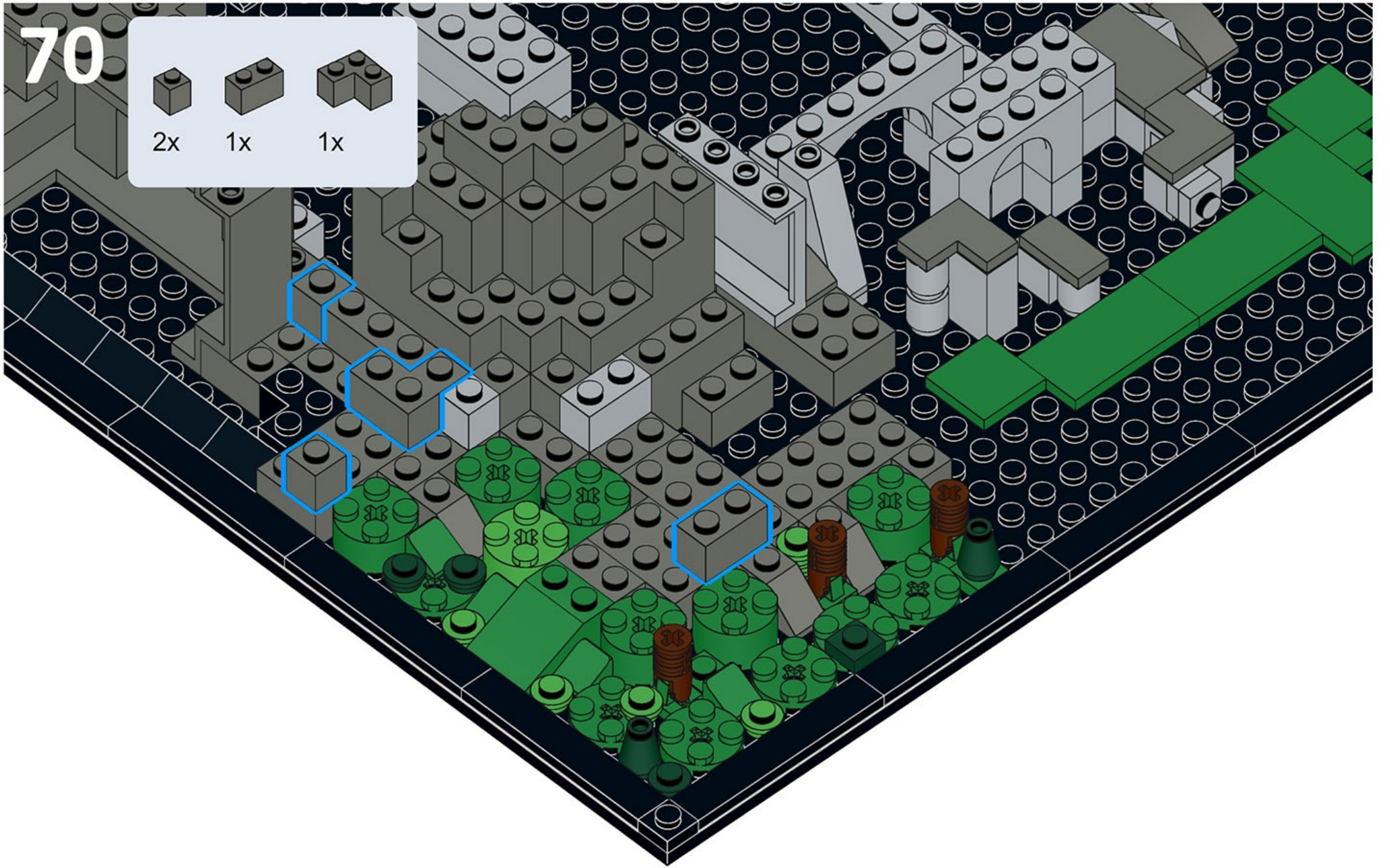
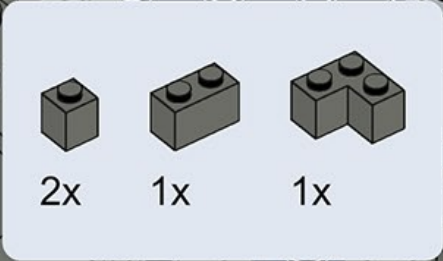
				
4x	3x	1x	1x	2x





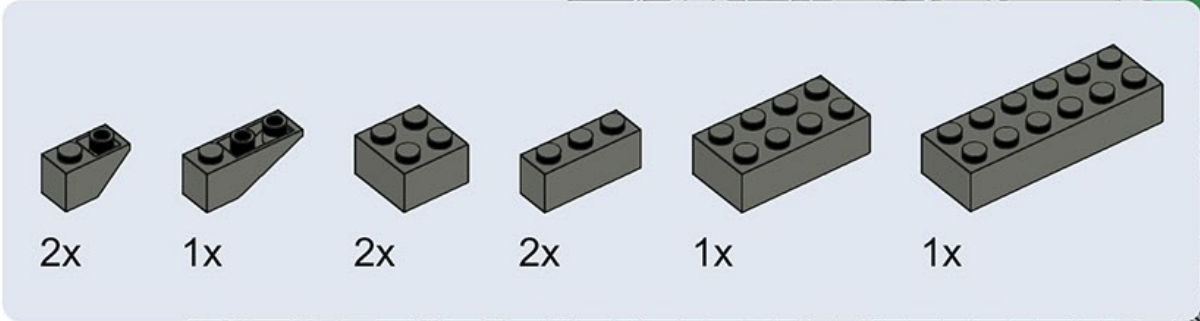
70

2x   1x   1x



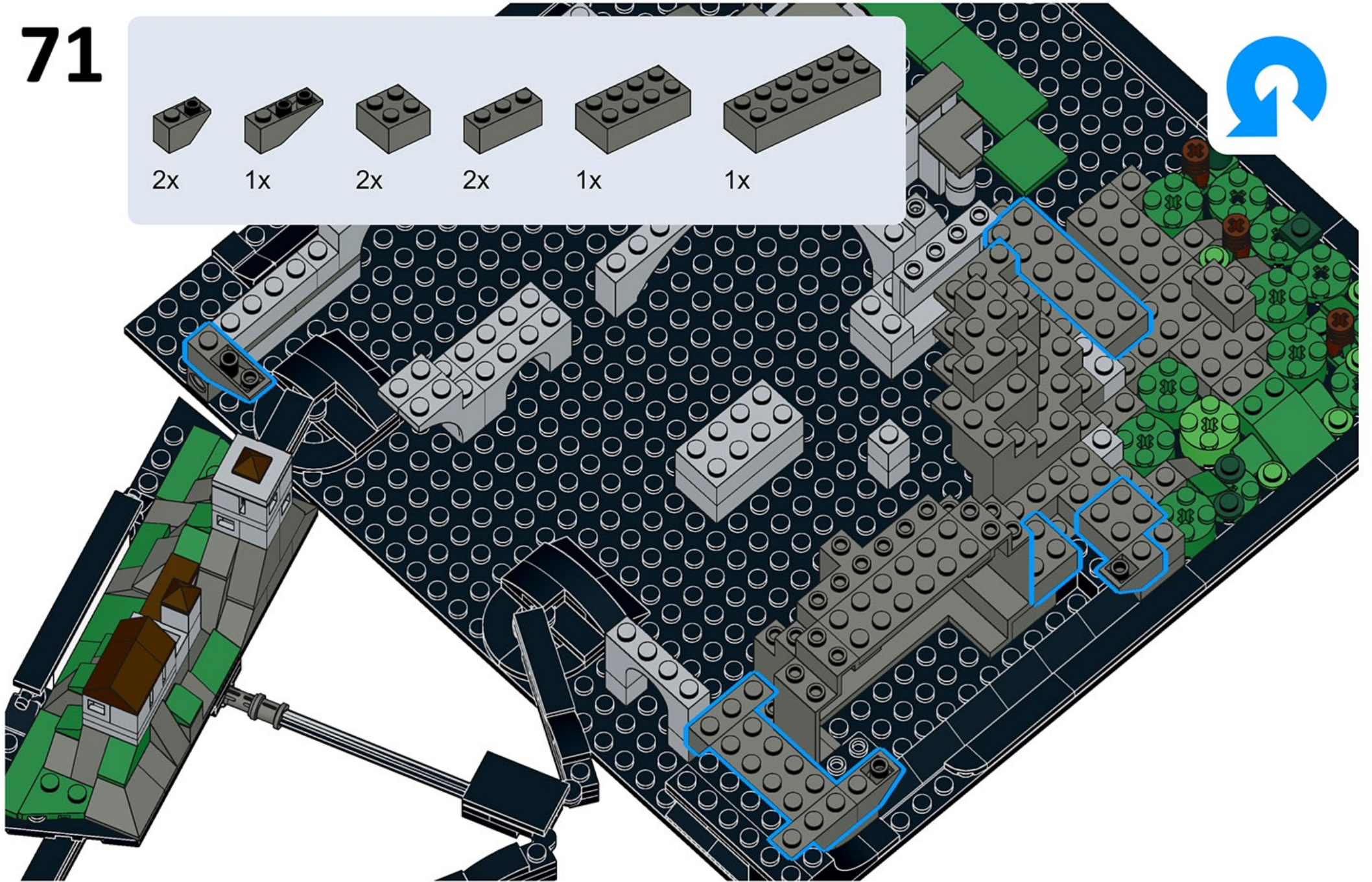


# 71



2x 1x 2x 2x 1x 1x

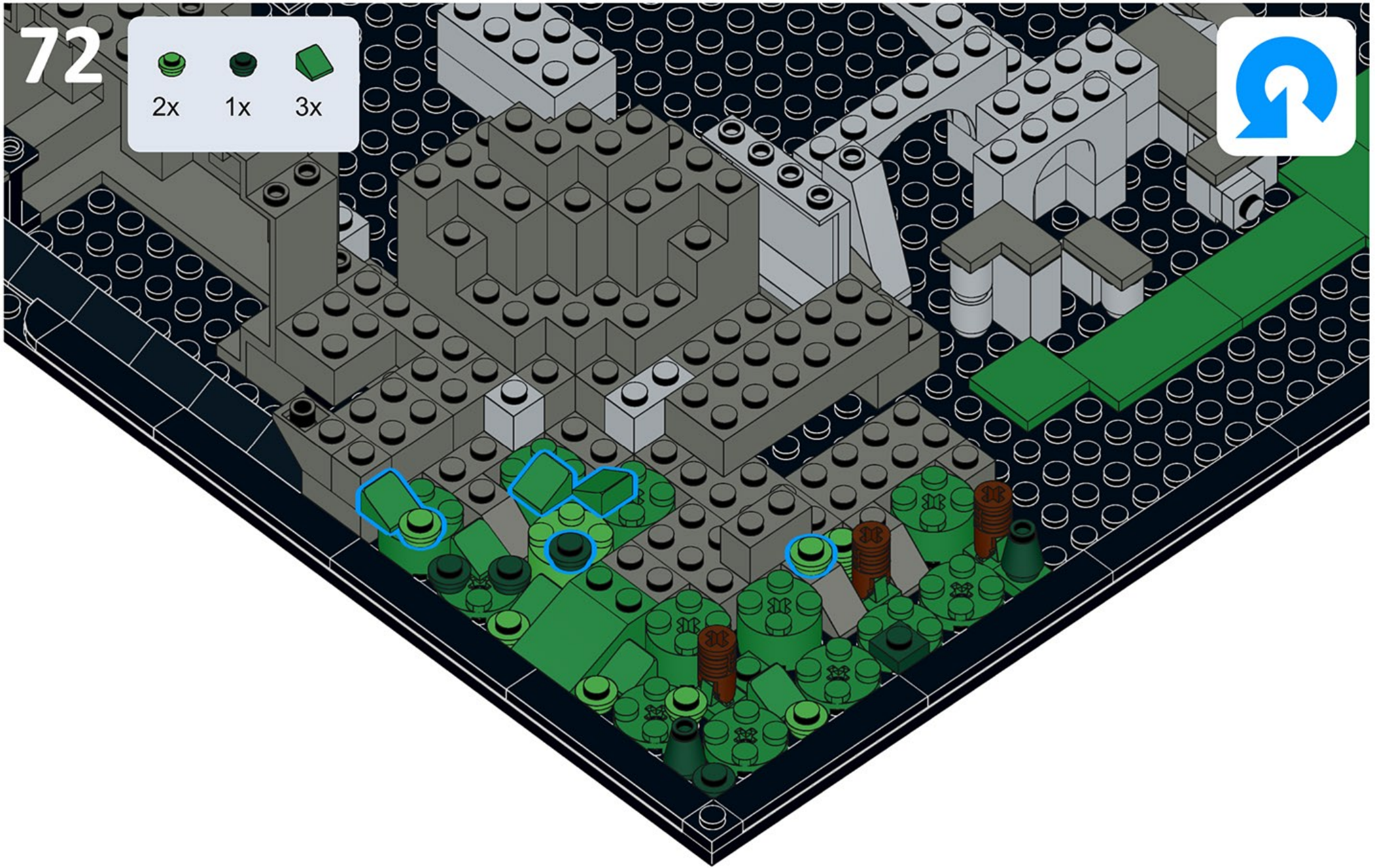
This block contains a list of six grey LEGO Technic parts with their respective quantities: two 1x2 pins, one 1x3 pin, two 1x4 pins, two 1x5 pins, one 1x6 pin, and one 1x8 pin. The parts are arranged in a row from left to right, with their quantities listed below them.





72

		
2x	1x	3x



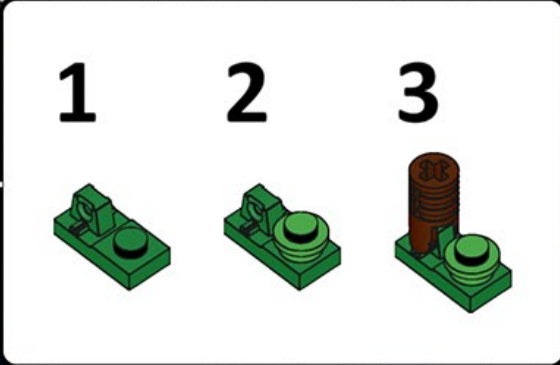


73

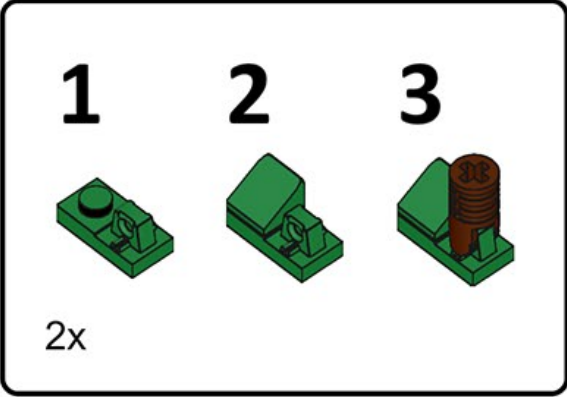
1x 2x 3x 3x



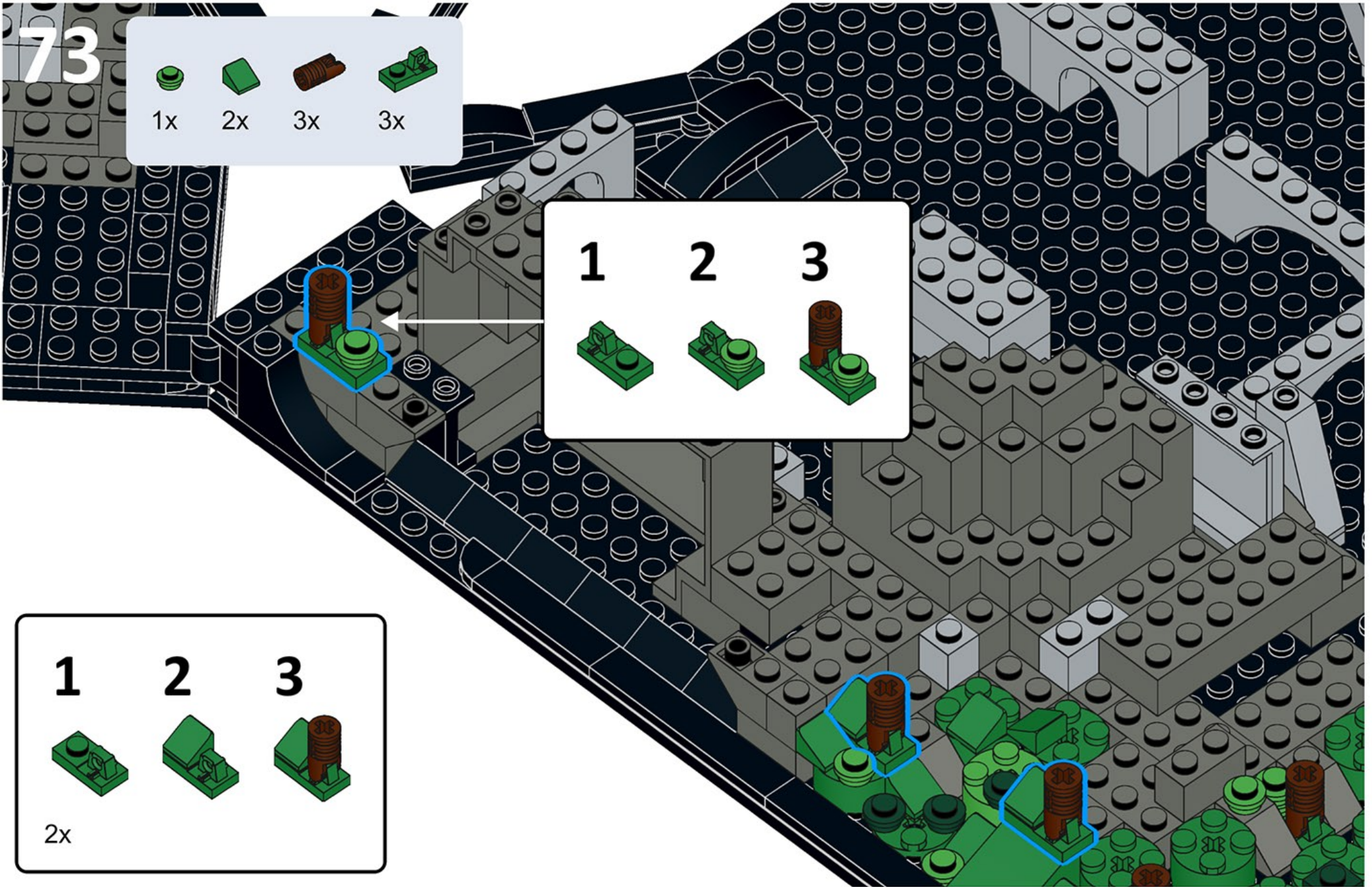
1 2 3



1 2 3



2x





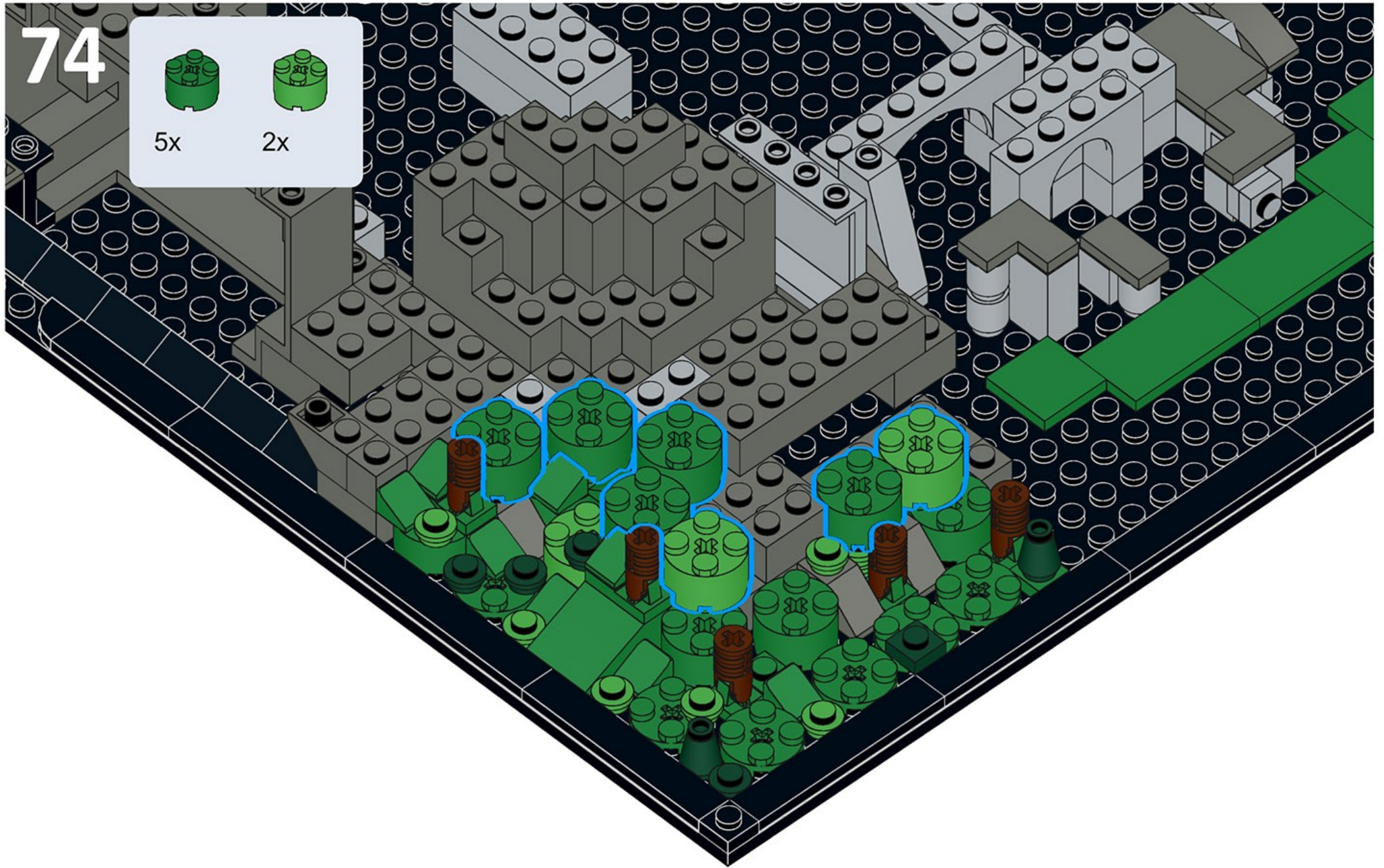
74



5x


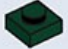







2x






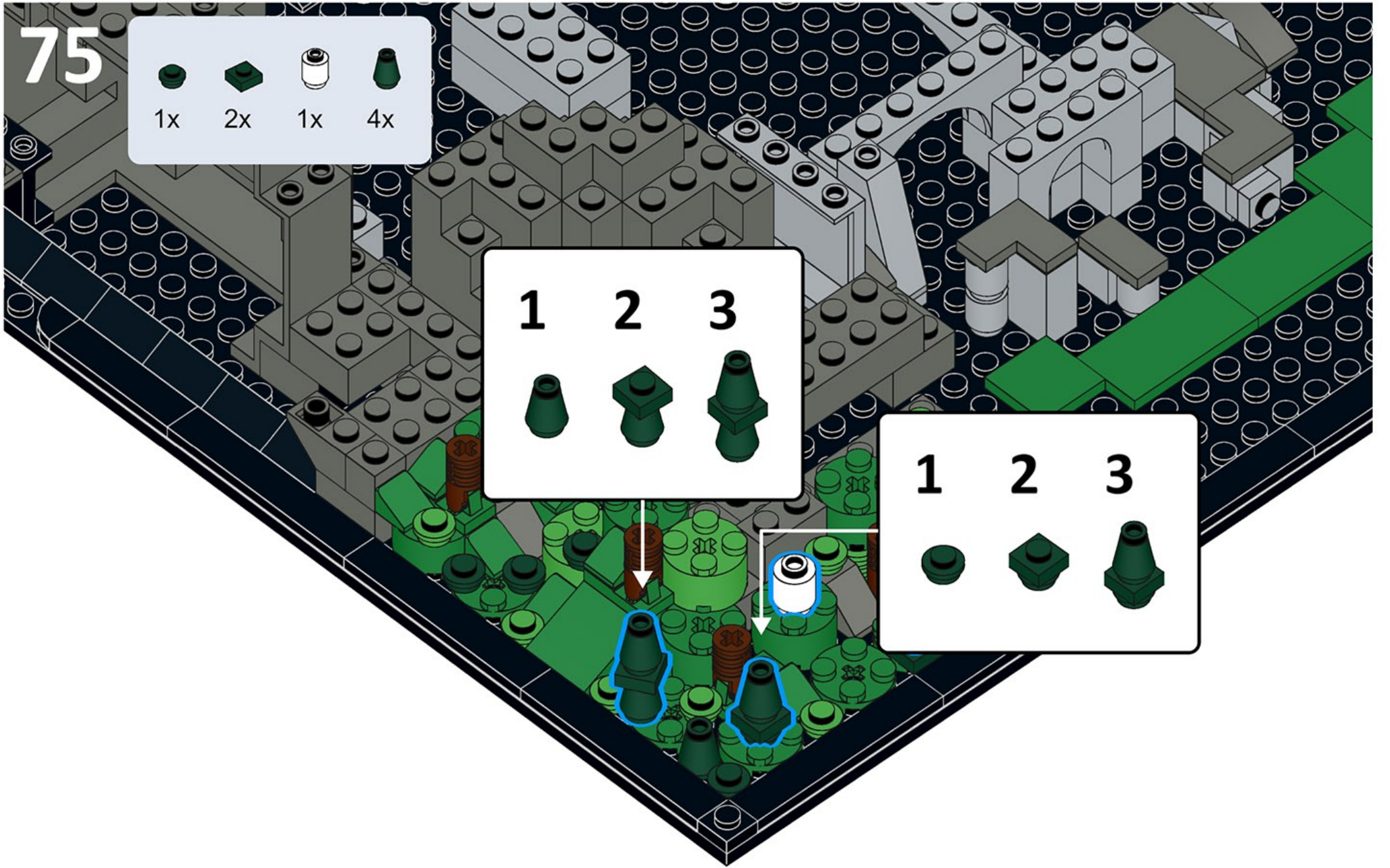


75

			
1x	2x	1x	4x

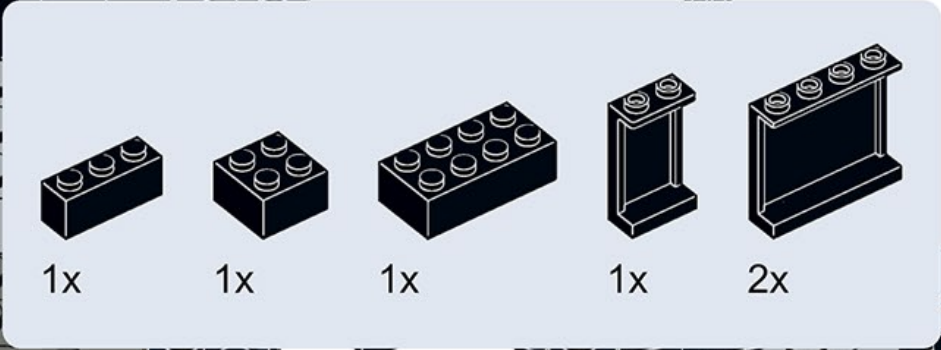
1	2	3
		

1	2	3
		



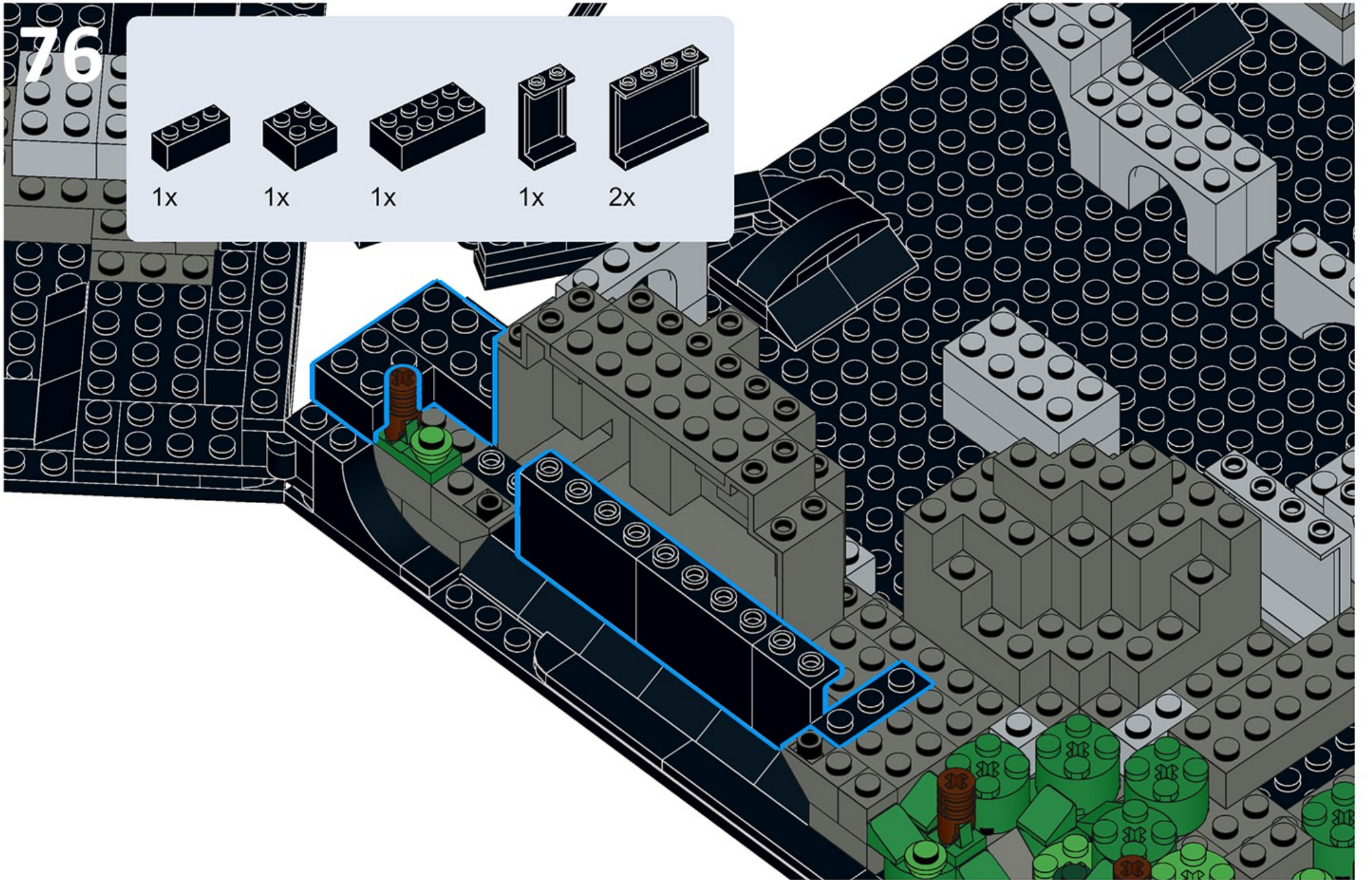


76



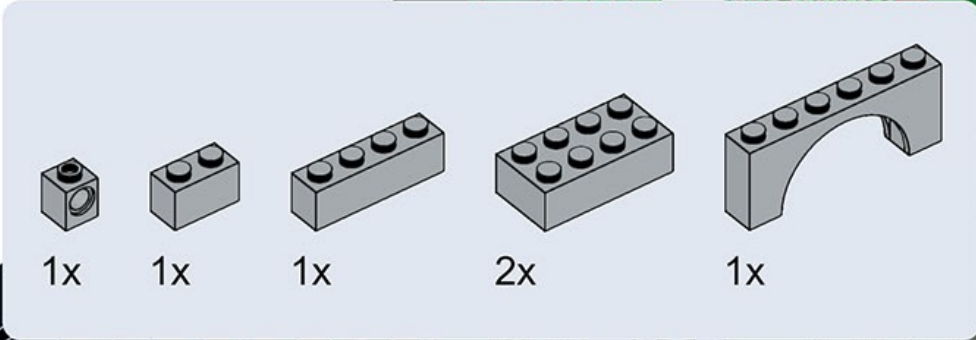
1x 1x 1x 1x 2x

This block contains five illustrations of LEGO parts with their respective quantities: a 1x3 black Technic brick (1x), a 1x2 black Technic brick (1x), a 1x4 black Technic brick (1x), a 1x2 black Technic axle pin (1x), and two 1x4 black Technic axle pins (2x).





77



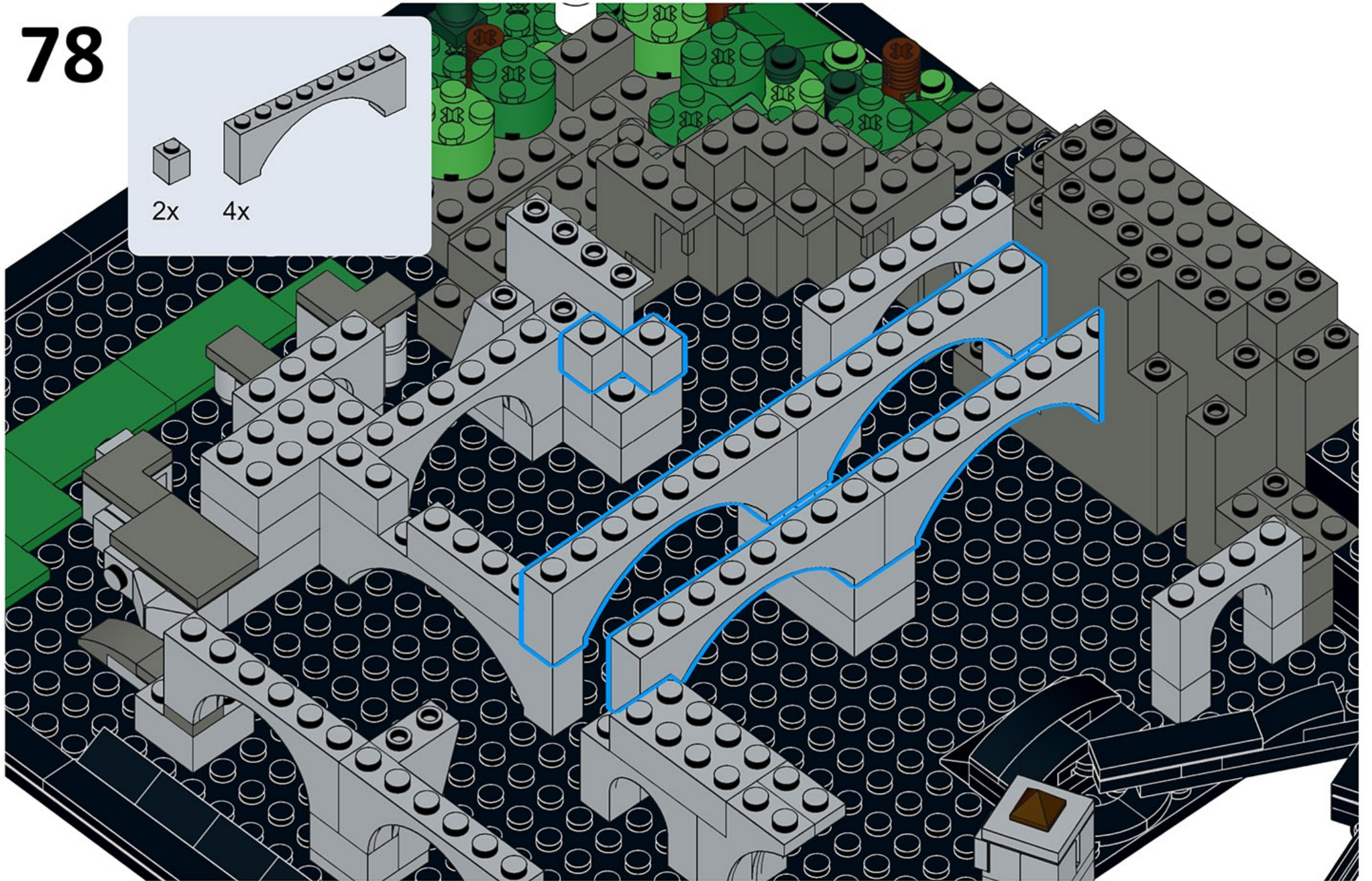
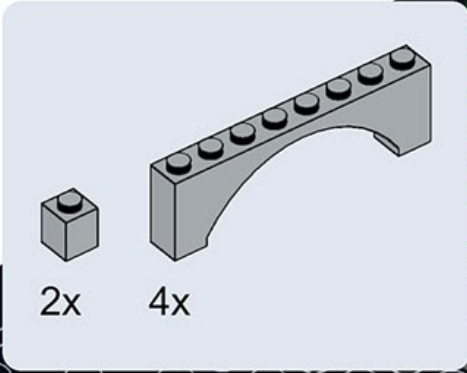
1x 1x 1x 2x 1x

This block contains a parts list for step 77. It features five small images of LEGO parts: a 1x1 Technic pin, a 1x2 Technic brick, a 1x4 Technic brick, a 2x4 Technic brick, and a 1x4 Technic arch. Below each image is a quantity label: '1x' for the pin, '1x' for the 1x2 brick, '1x' for the 1x4 brick, '2x' for the 2x4 brick, and '1x' for the arch.





78

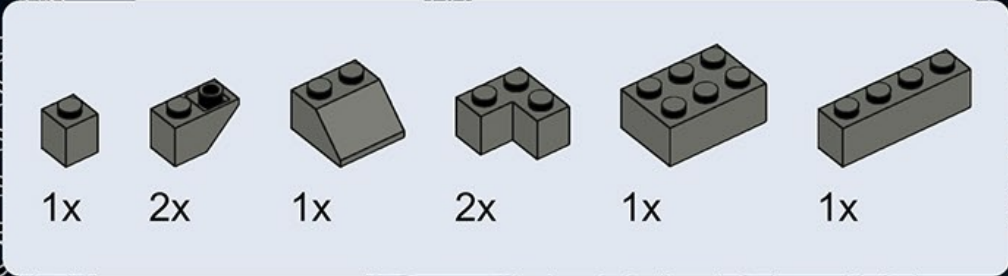






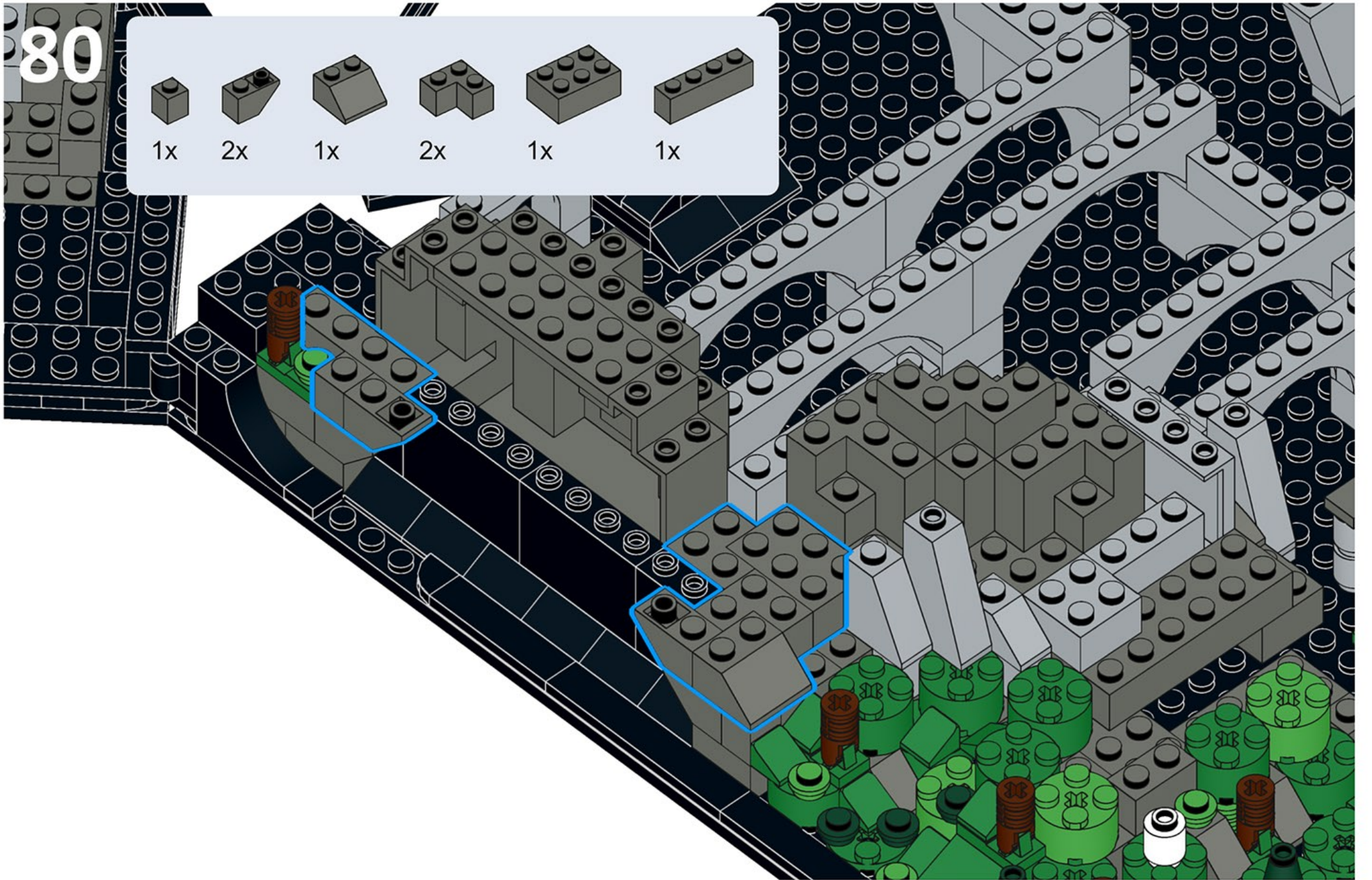


80



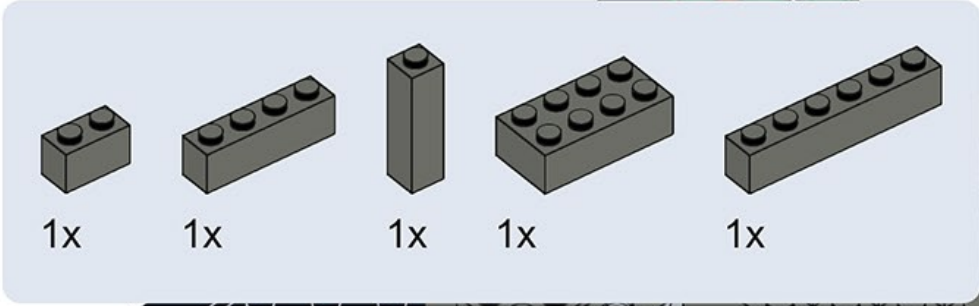
1x 2x 1x 2x 1x 1x

This block contains a parts list for step 80. It features six small images of grey LEGO Technic parts, each with a quantity label below it: a 1x1 brick (1x), a 1x2 brick with a hole (2x), a 1x2 brick with a hole and a notch (1x), a 1x2 brick with a hole and a notch (2x), a 1x3 brick with a hole (1x), and a 1x4 brick with a hole (1x).



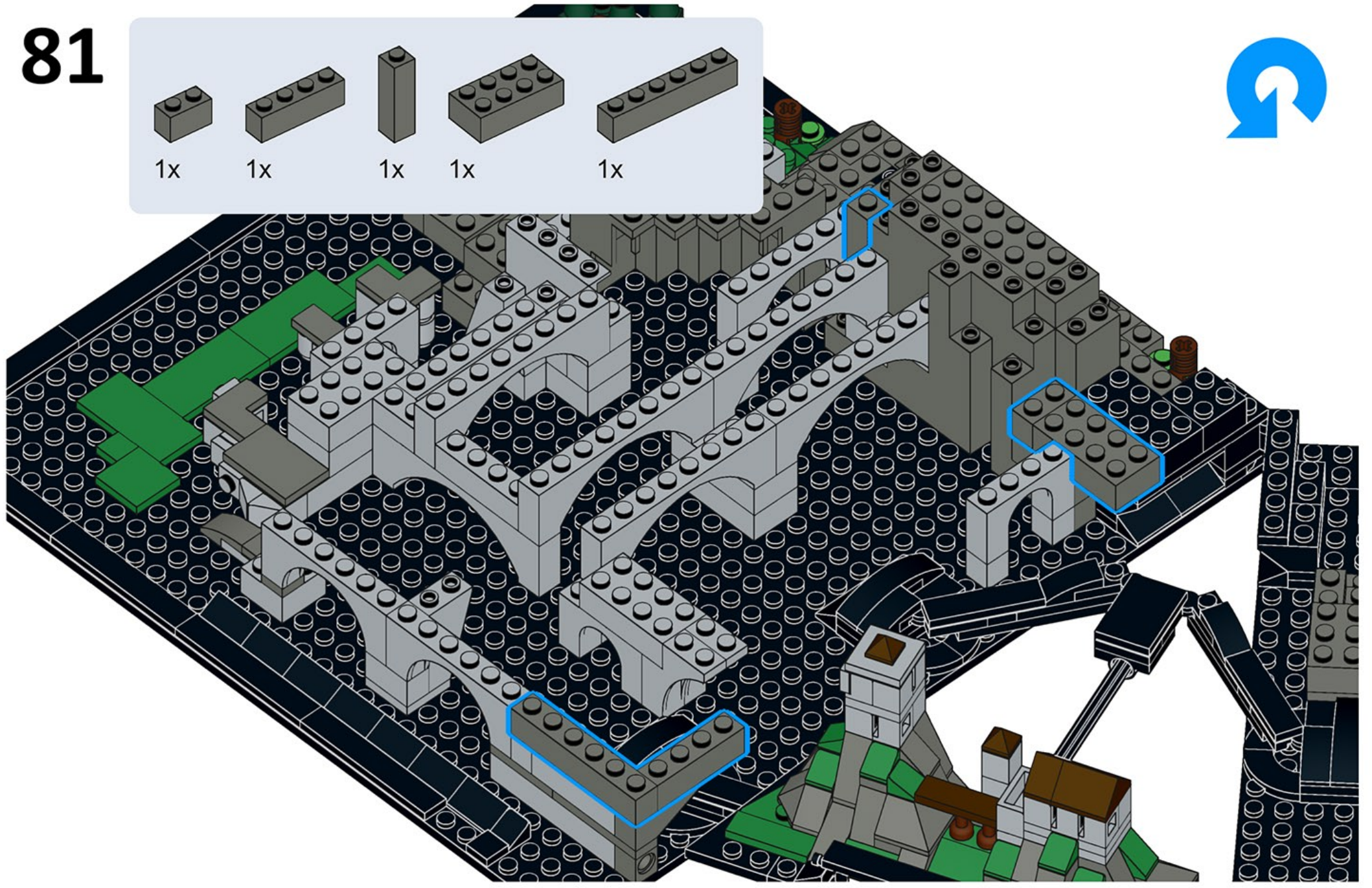


# 81



1x 1x 1x 1x 1x

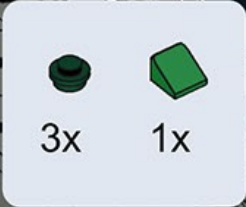
This block contains a list of five grey LEGO parts, each with a '1x' quantity label below it. From left to right: a 1x2 brick with two studs; a 1x4 brick with four studs; a 1x2 Technic pin; a 1x4 brick with four studs and a hole in the center; and a 1x6 brick with six studs.



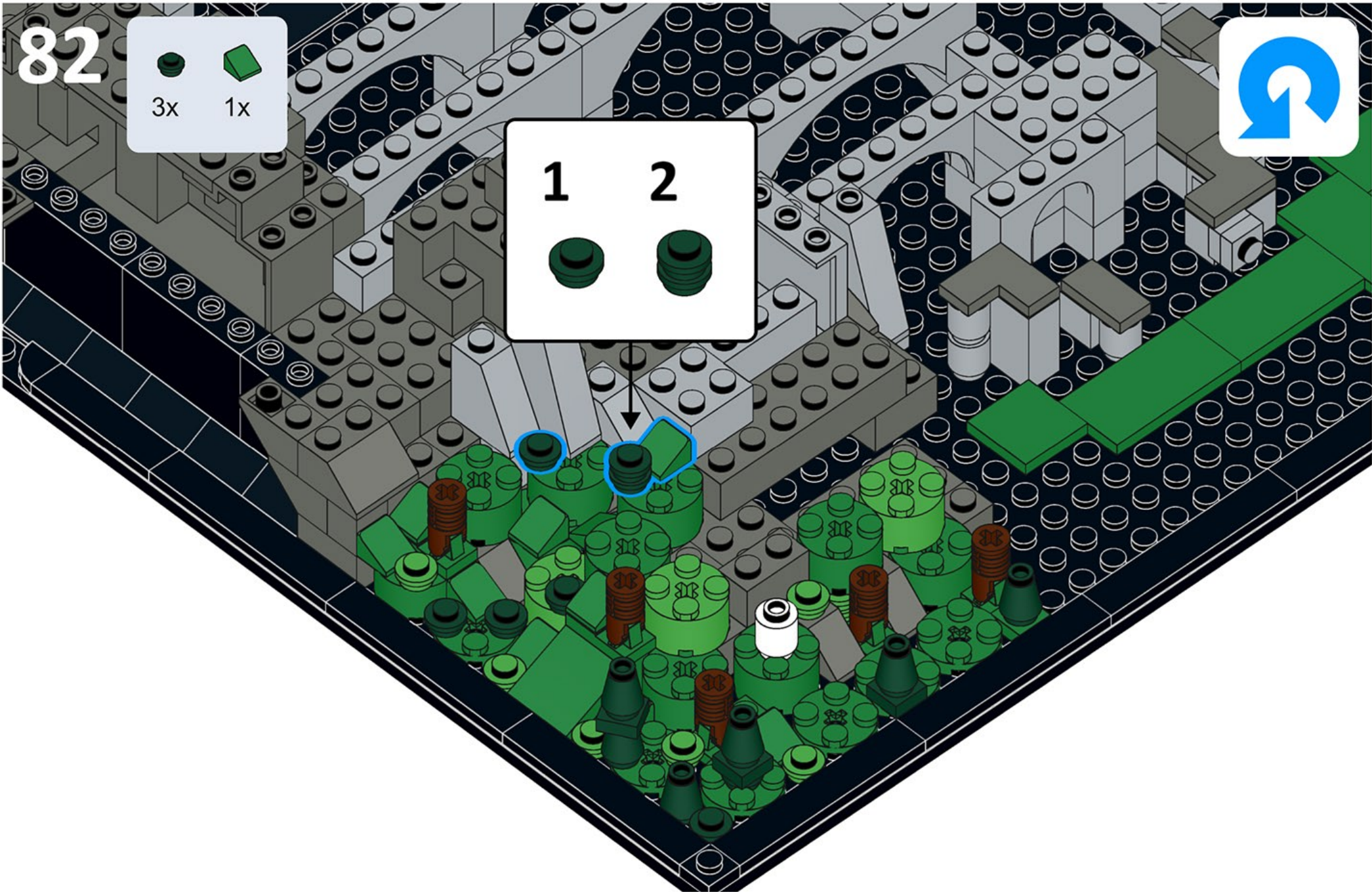
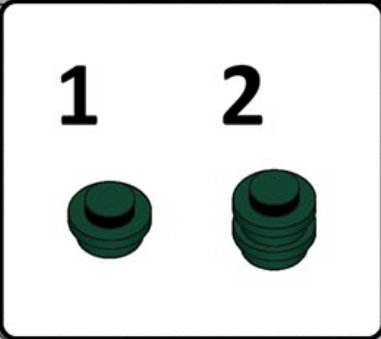


82

3x 1x



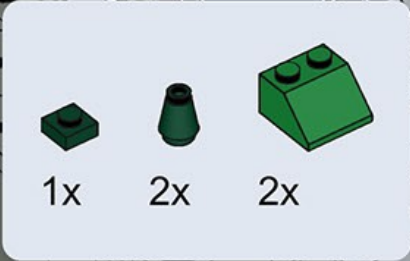
1 2



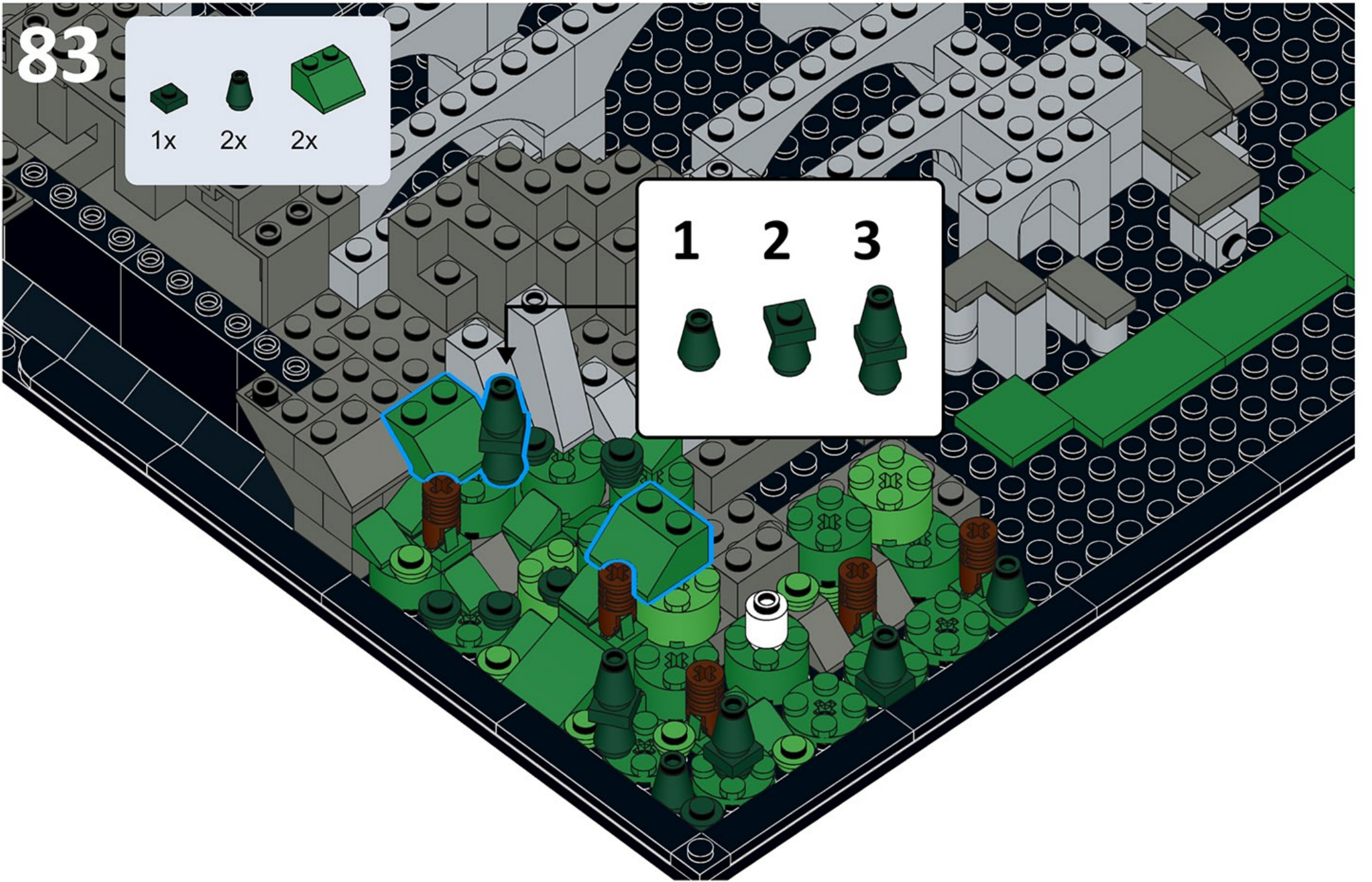
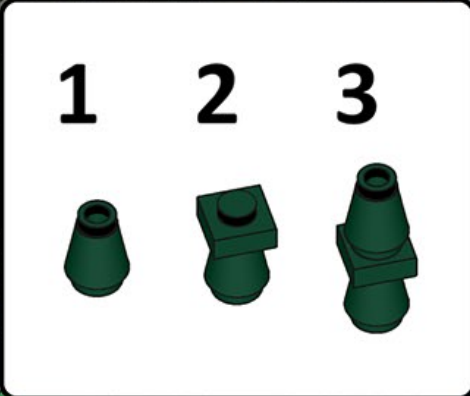


83

1x 2x 2x

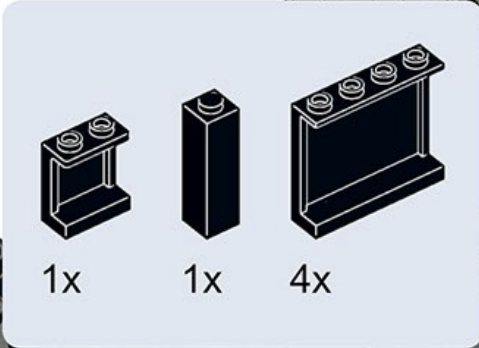


1 2 3



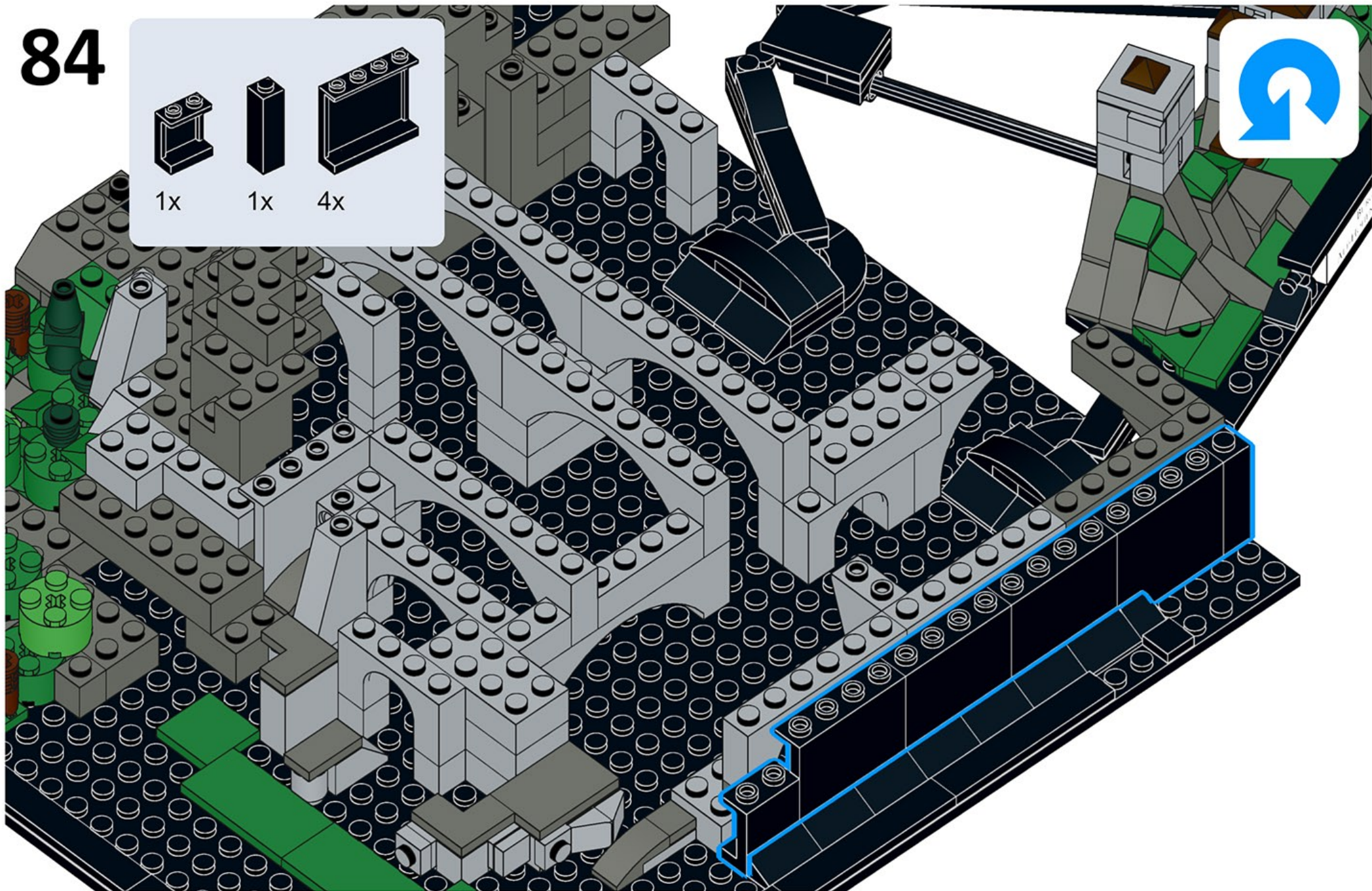


84









1x 1x 4x

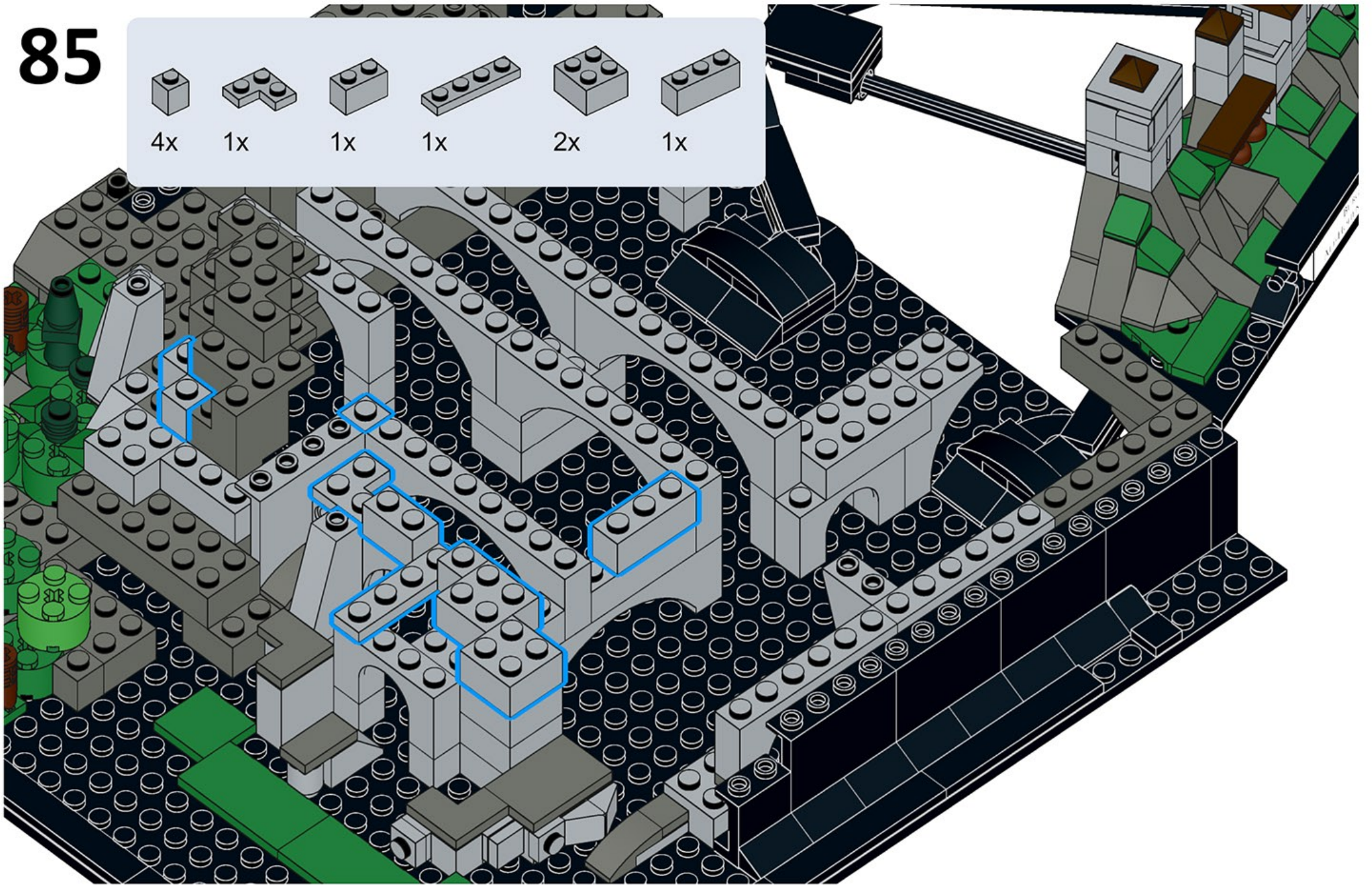
This block contains a parts list for step 84. It features three small images of LEGO parts: a 1x2 Technic brick with a hole, a 1x2 Technic brick, and a 1x4 Technic brick with a hole. Below each image is a quantity: '1x' for the first two and '4x' for the third.





# 85

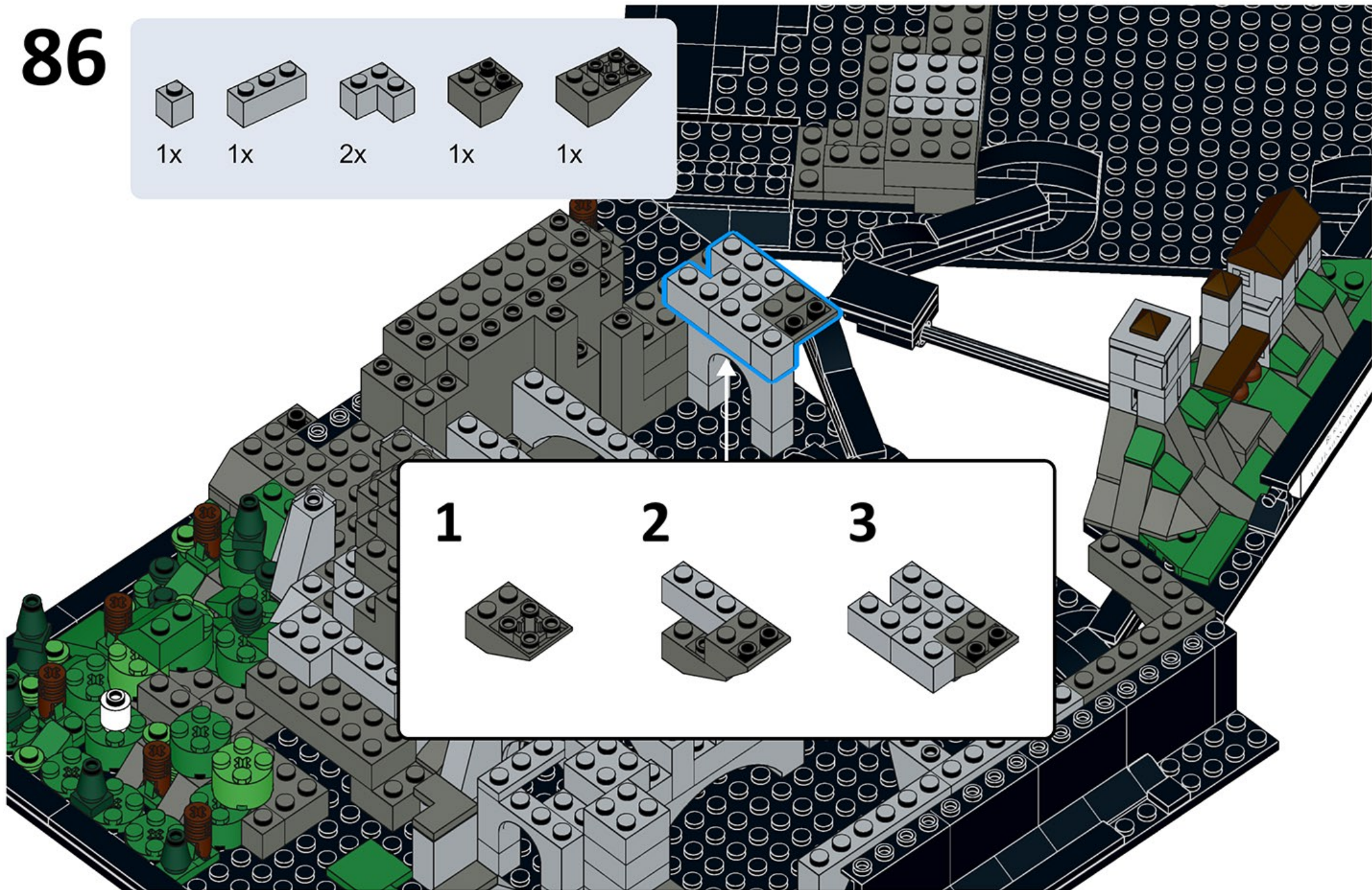
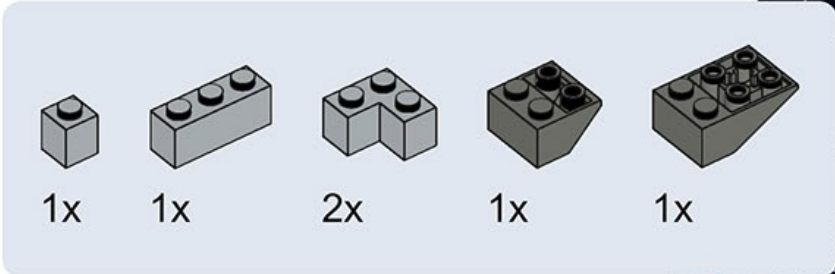
					
4x	1x	1x	1x	2x	1x



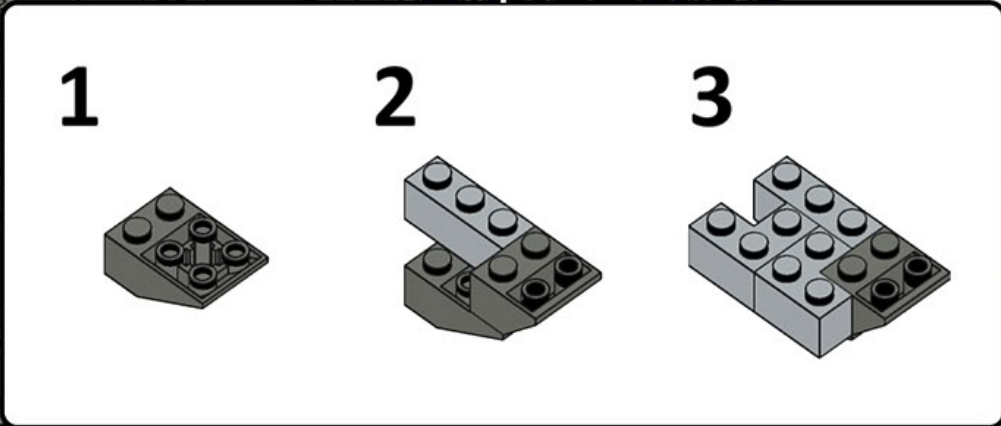


# 86

1x 1x 2x 1x 1x



1 2 3





# 87



2x



1x



6x



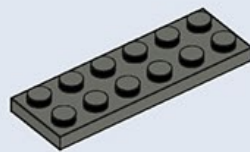
1x



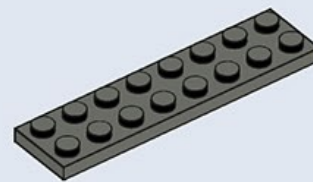
2x



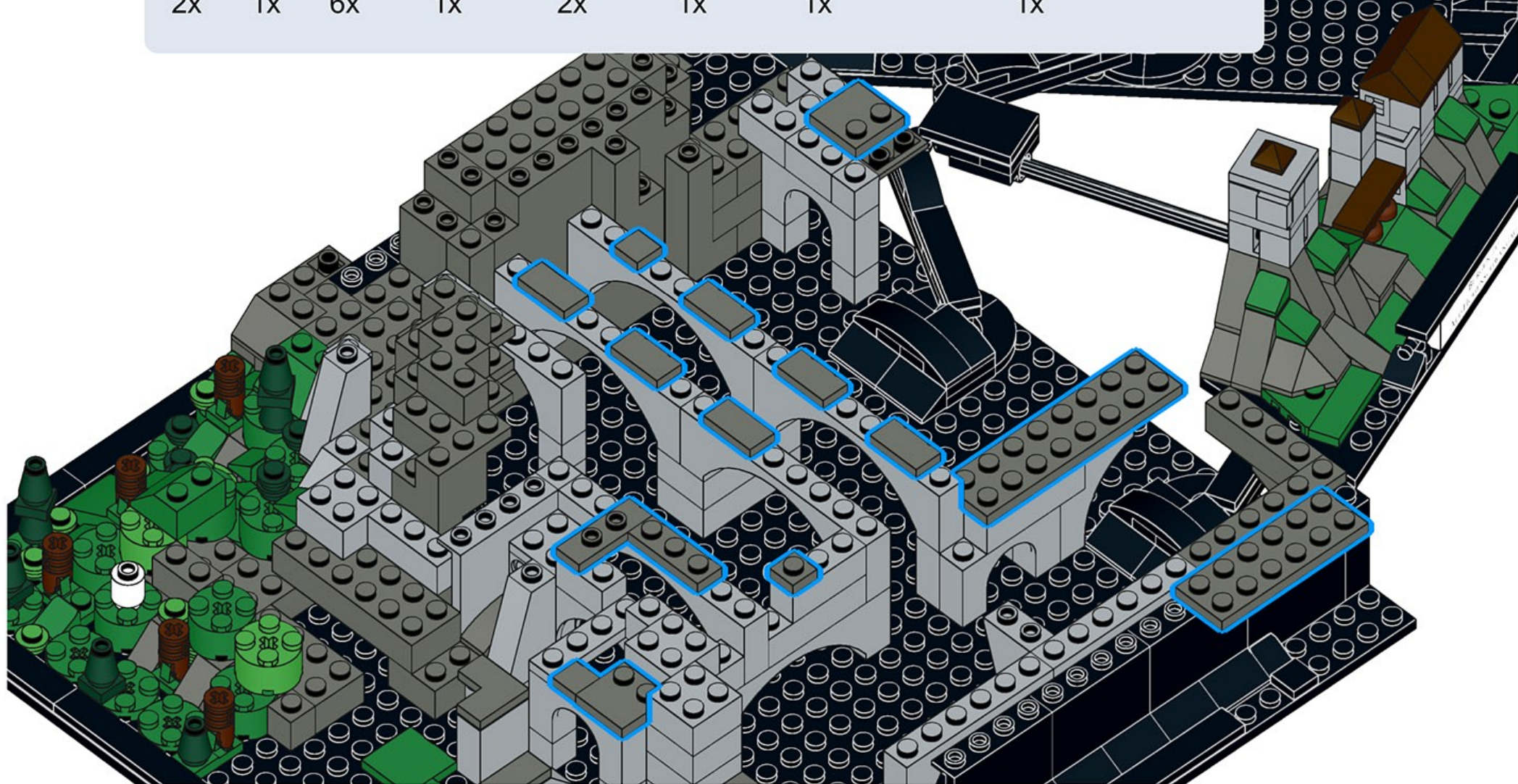
1x



1x

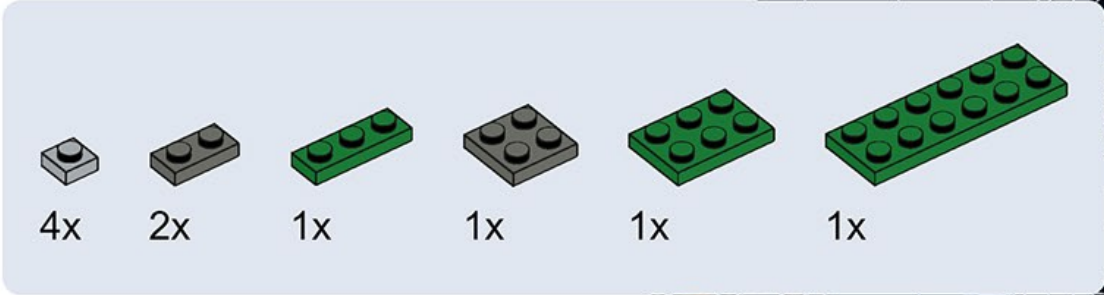


1x



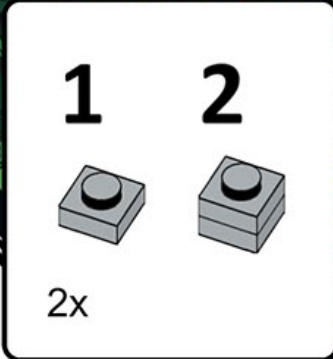
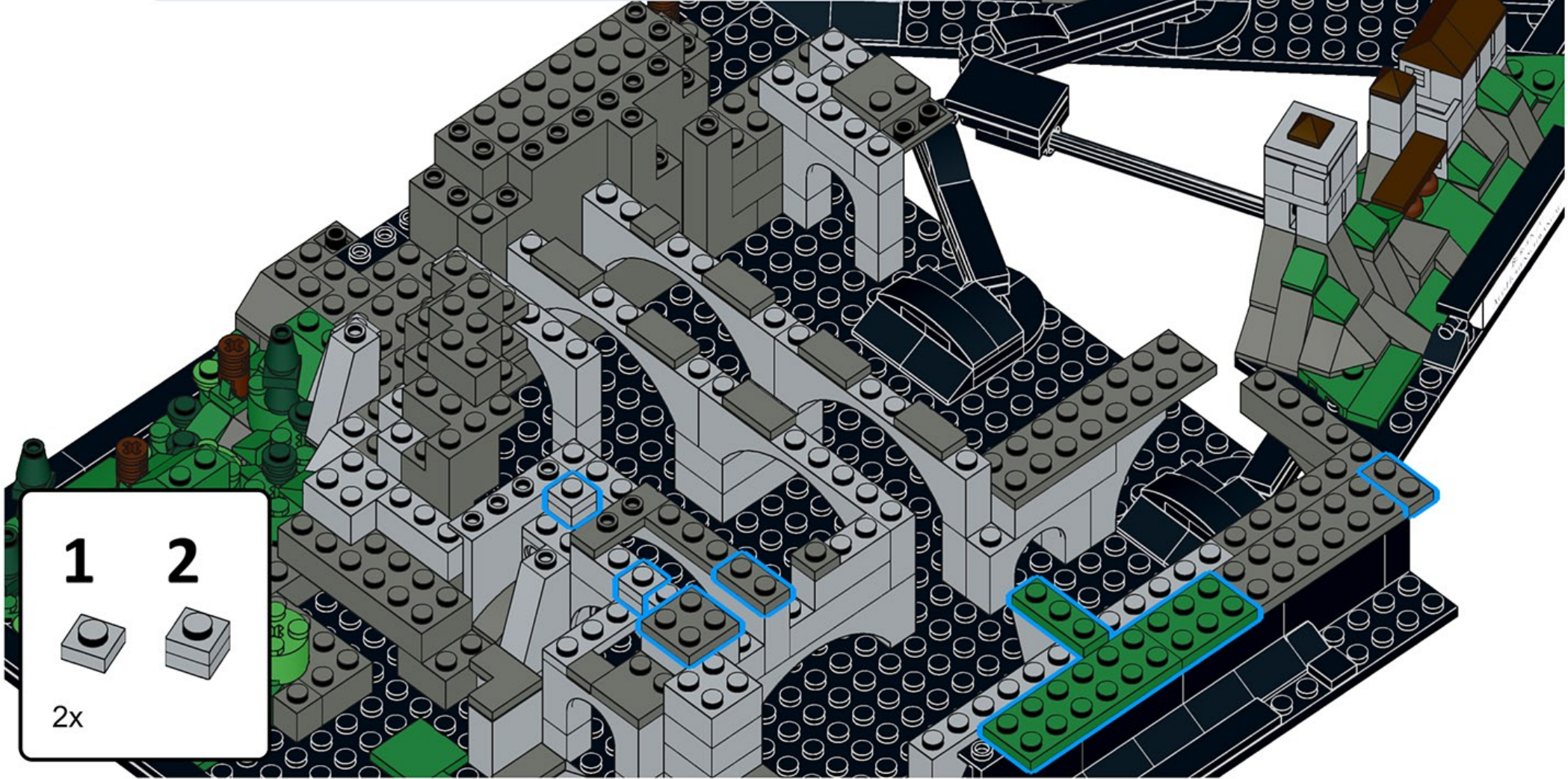


# 88



4x 2x 1x 1x 1x 1x

This block contains a list of parts for step 88. From left to right: a grey 1x1 brick with a hole, a grey 1x2 brick with a hole, a green 1x3 brick with holes, a grey 1x2 brick with a hole, a green 1x3 brick with holes, and a green 1x6 brick with holes. Each part is accompanied by its quantity: 4x, 2x, 1x, 1x, 1x, and 1x respectively.



1 2

2x

This inset diagram shows two grey 1x1 bricks with holes. The first brick is labeled '1' and the second brick is labeled '2'. Below the bricks, the quantity '2x' is indicated.

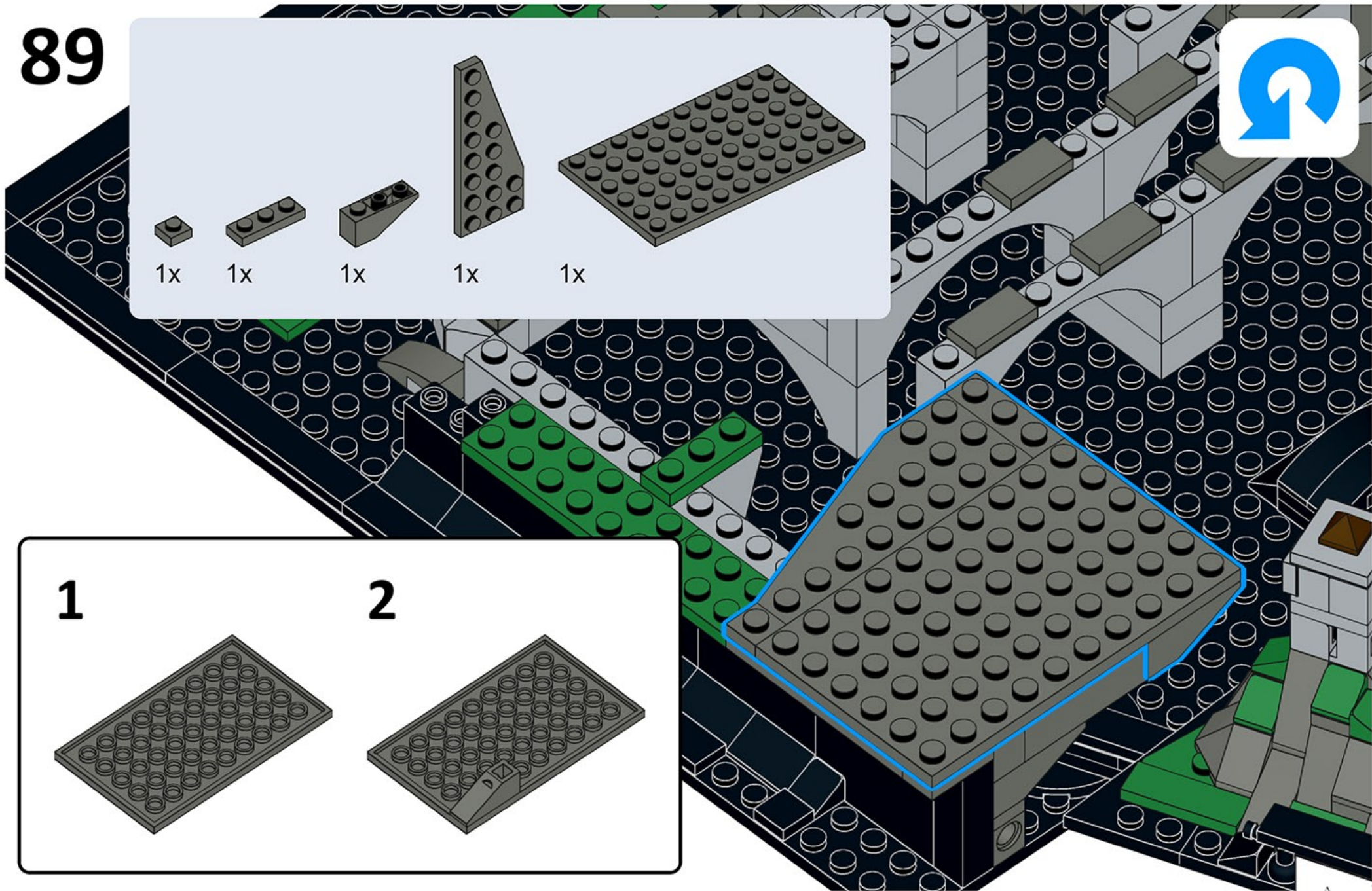


# 89









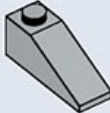

1x 1x 1x 1x 1x

1 2






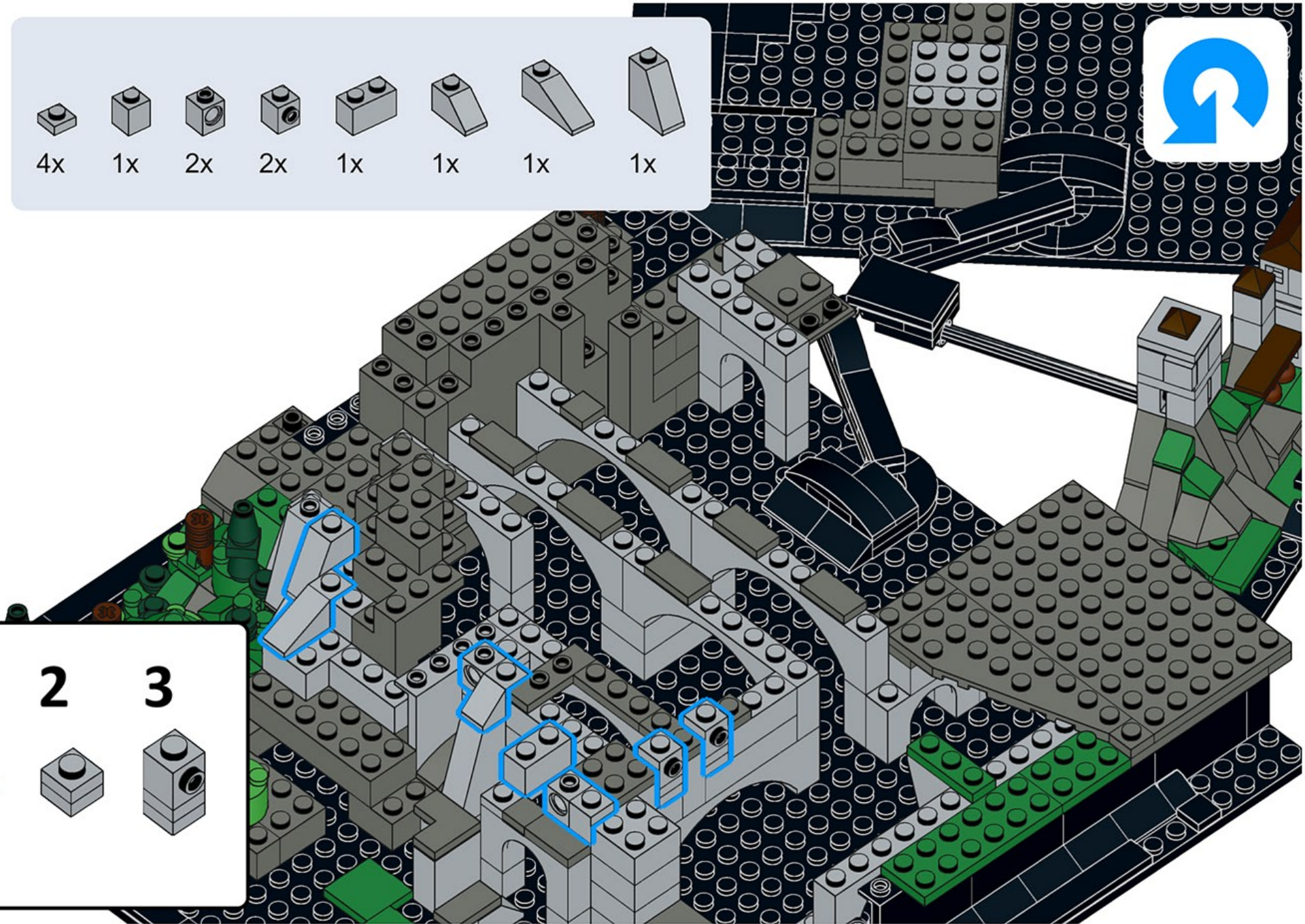


# 90

							
4x	1x	2x	2x	1x	1x	1x	1x



<b>1</b>	<b>2</b>	<b>3</b>
		
2x		





# 91



1x



2x



1x



1x



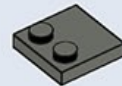
1x



1x



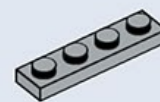
1x



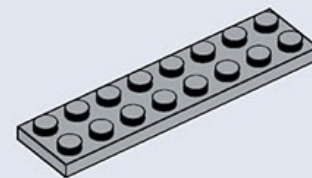
1x



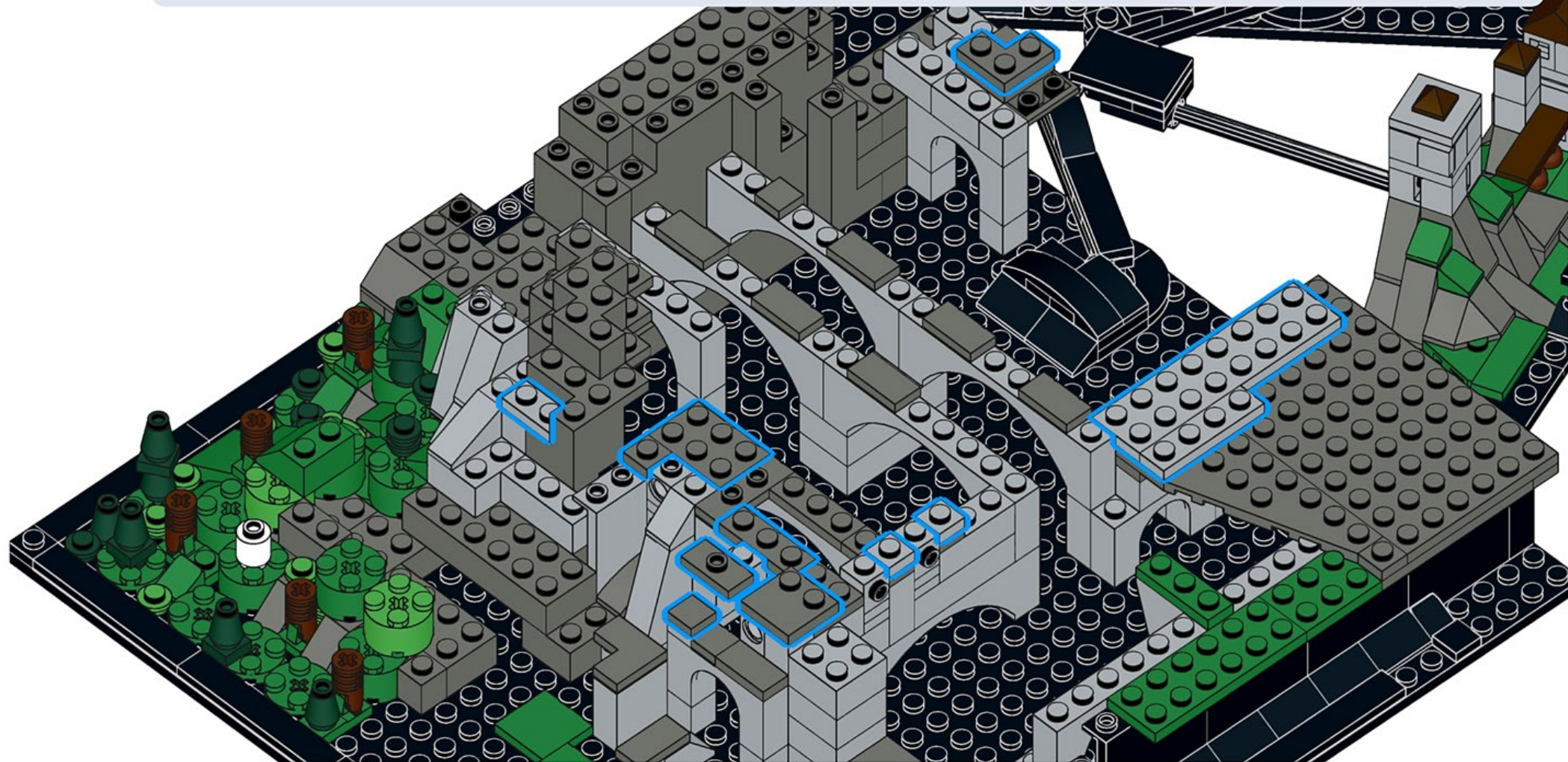
1x



1x

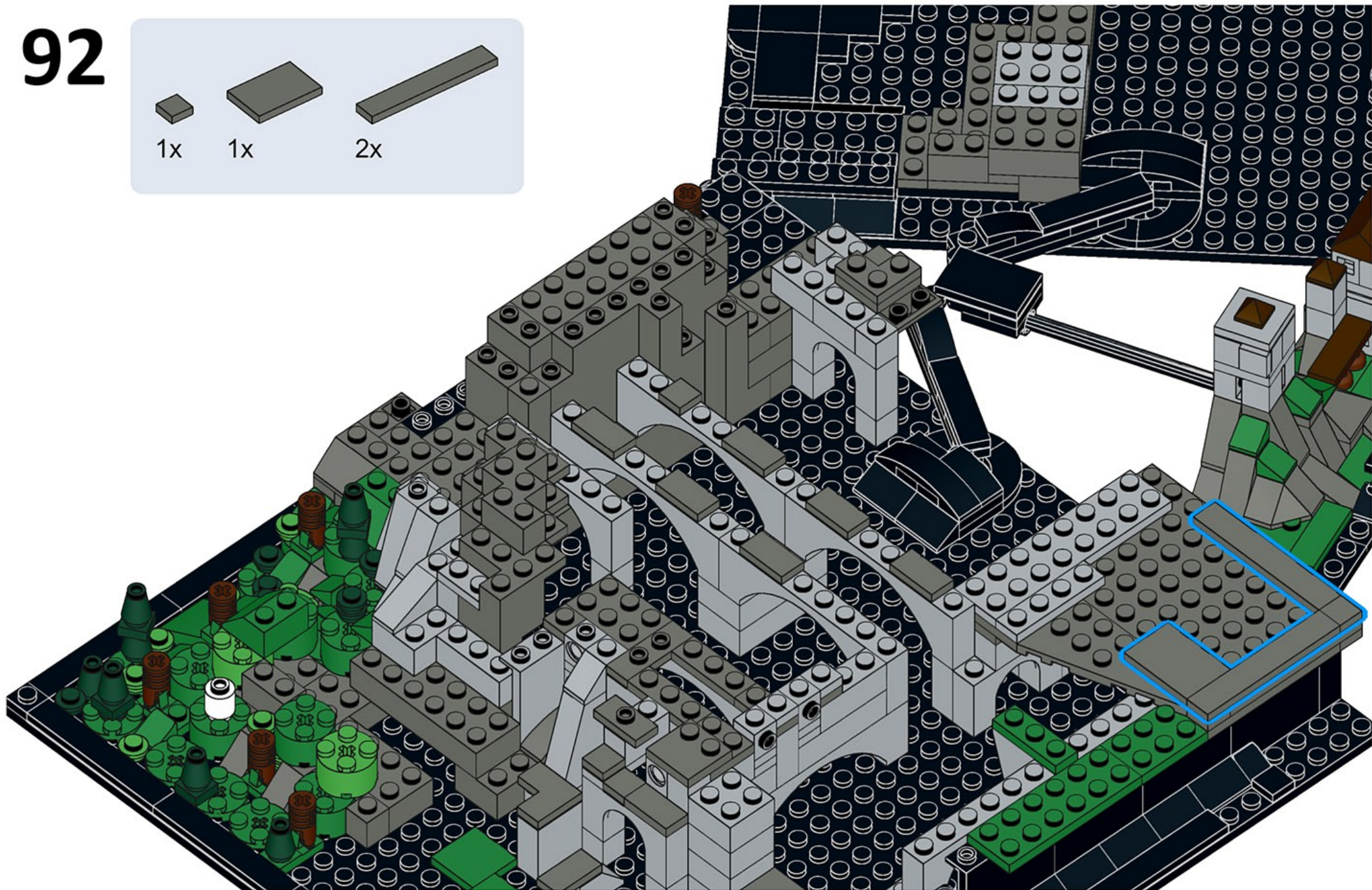
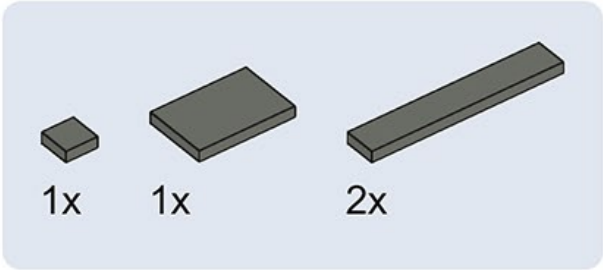


1x





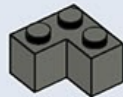

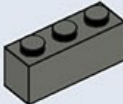


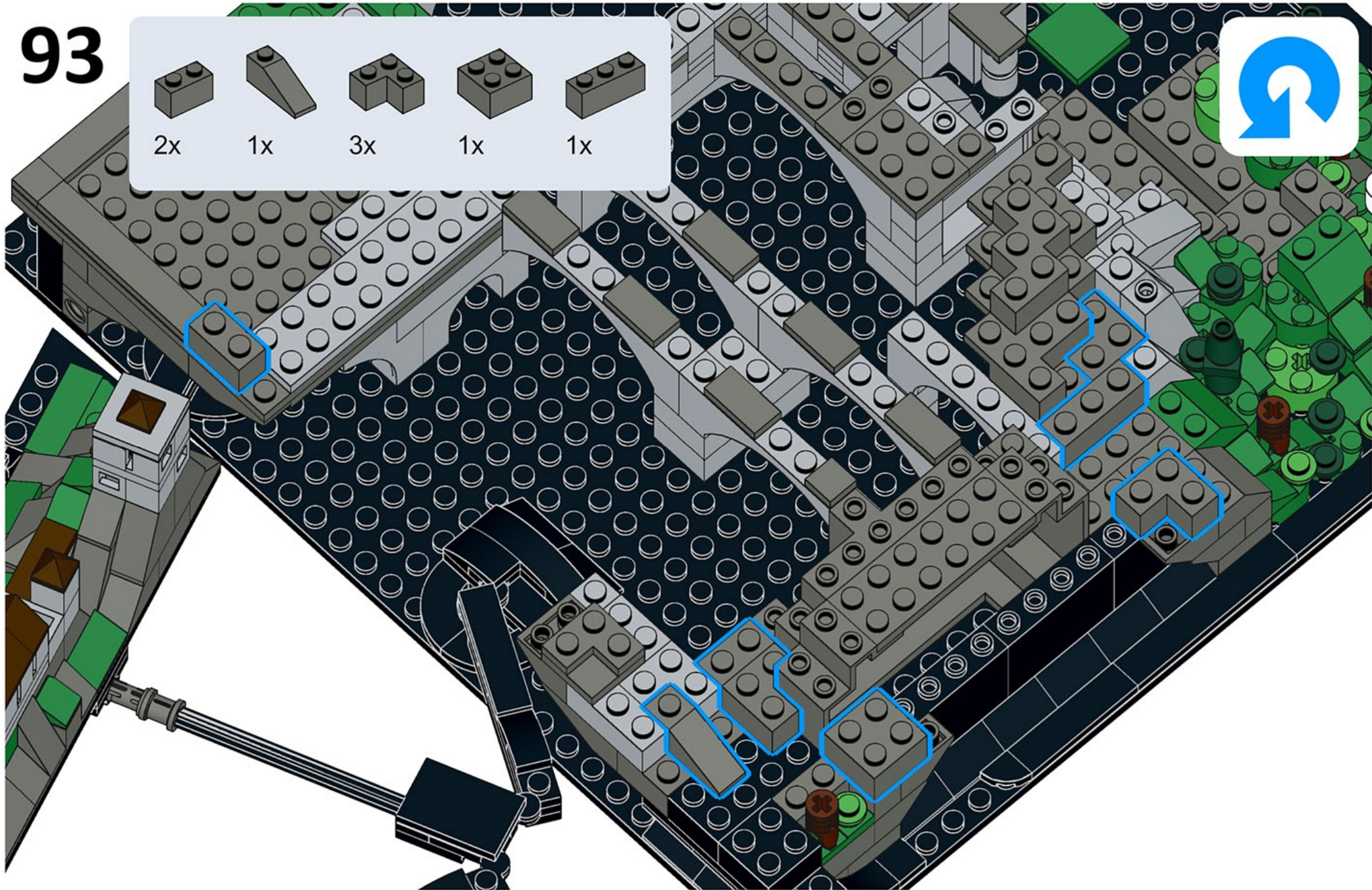
# 92





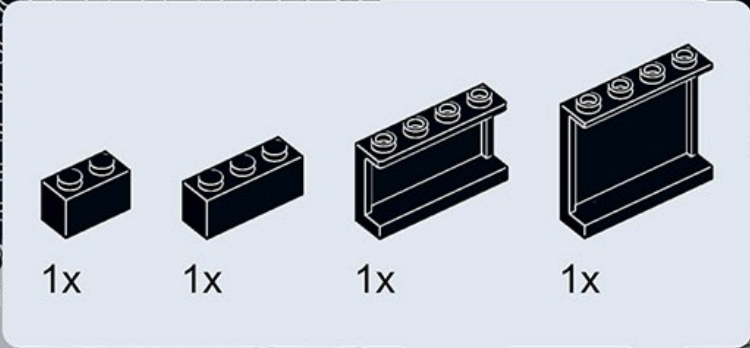
# 93

				
2x	1x	3x	1x	1x



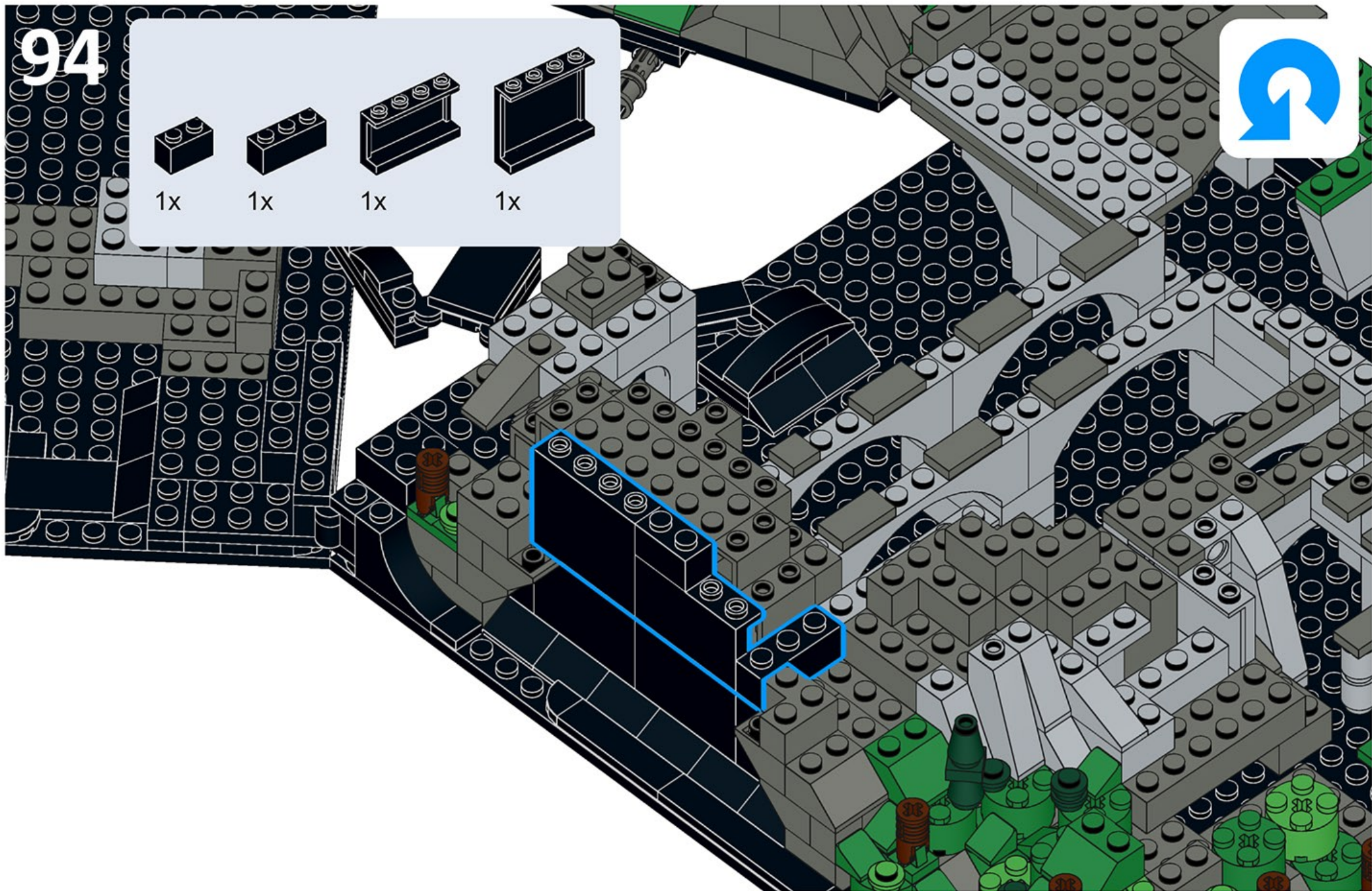


94



1x 1x 1x 1x

This block contains a list of four LEGO parts, each with a '1x' quantity label below it. From left to right: a 1x2 black Technic brick; a 1x3 black Technic brick; a 1x4 black Technic brick with a raised center; and a 1x4 black Technic brick with a raised center and a notch on the right side.





95



1x



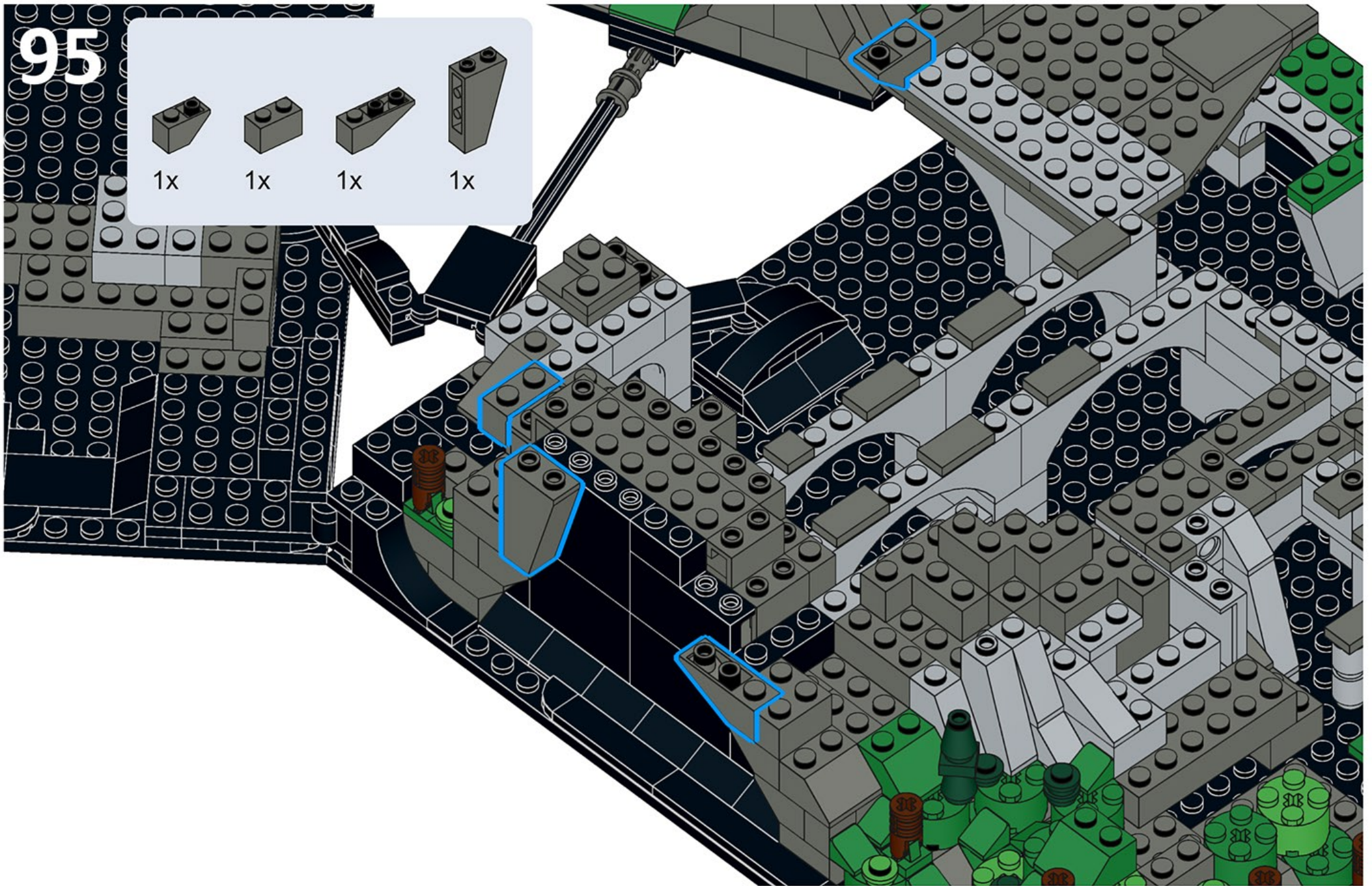
1x



1x



1x





96



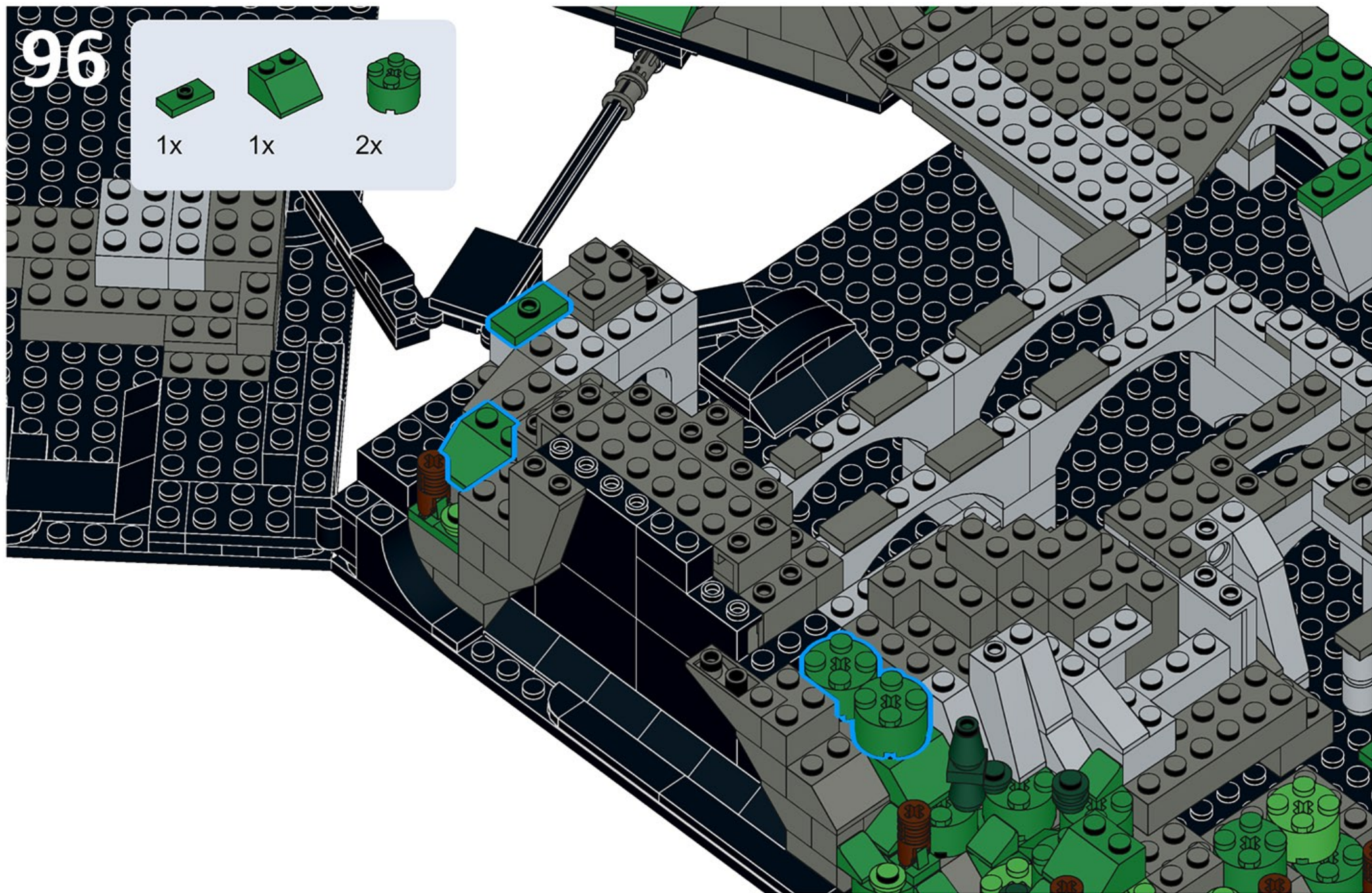
1x



1x

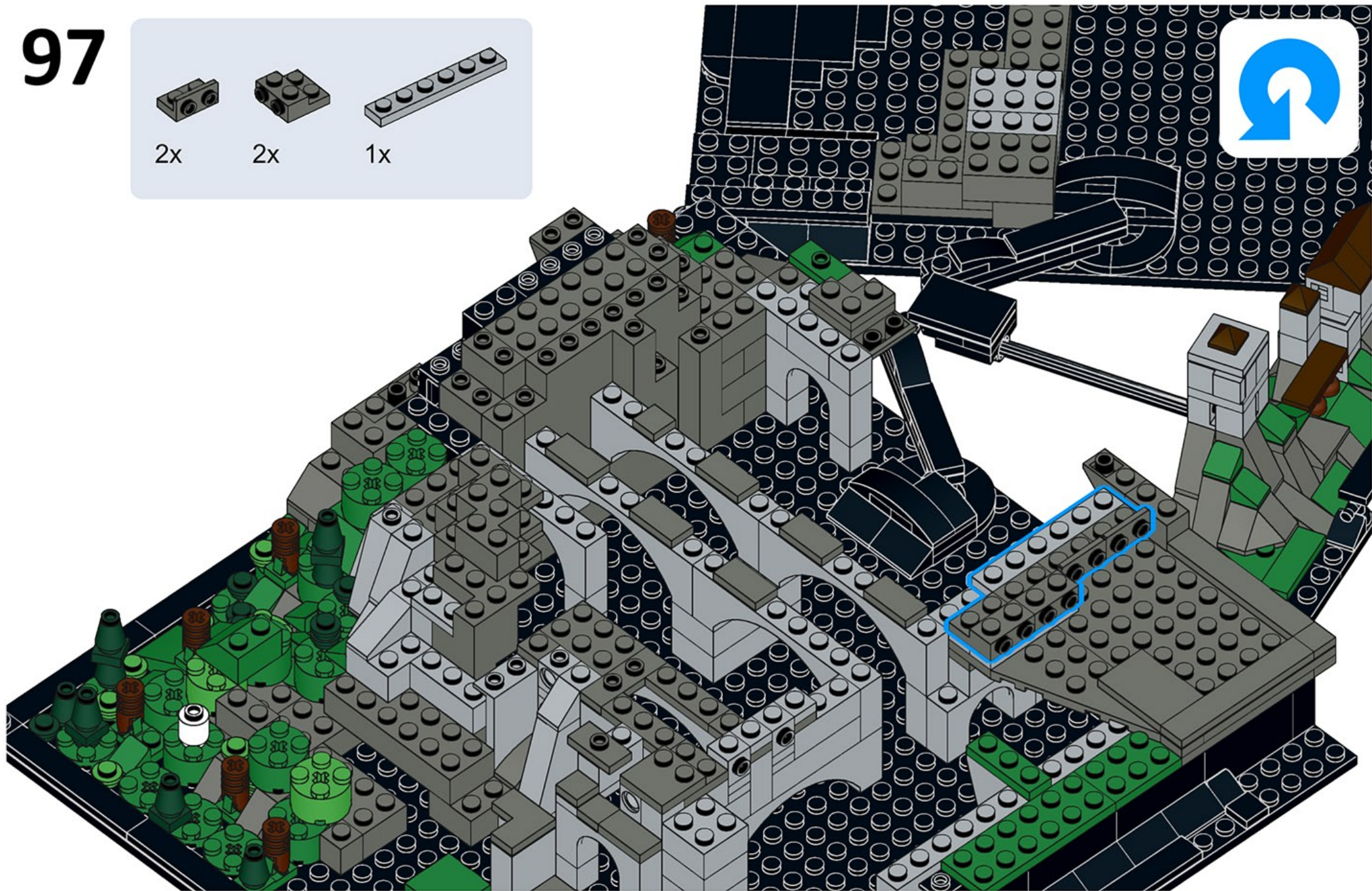
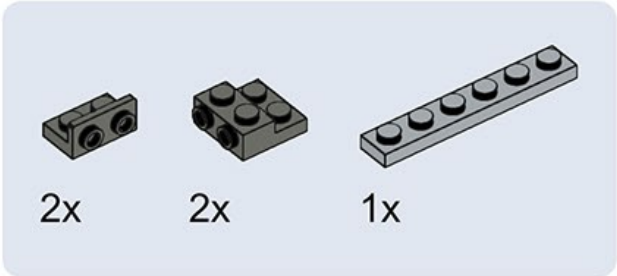


2x





# 97





# 98



1x



1x



1x



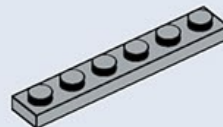
1x



1x



1x



1x

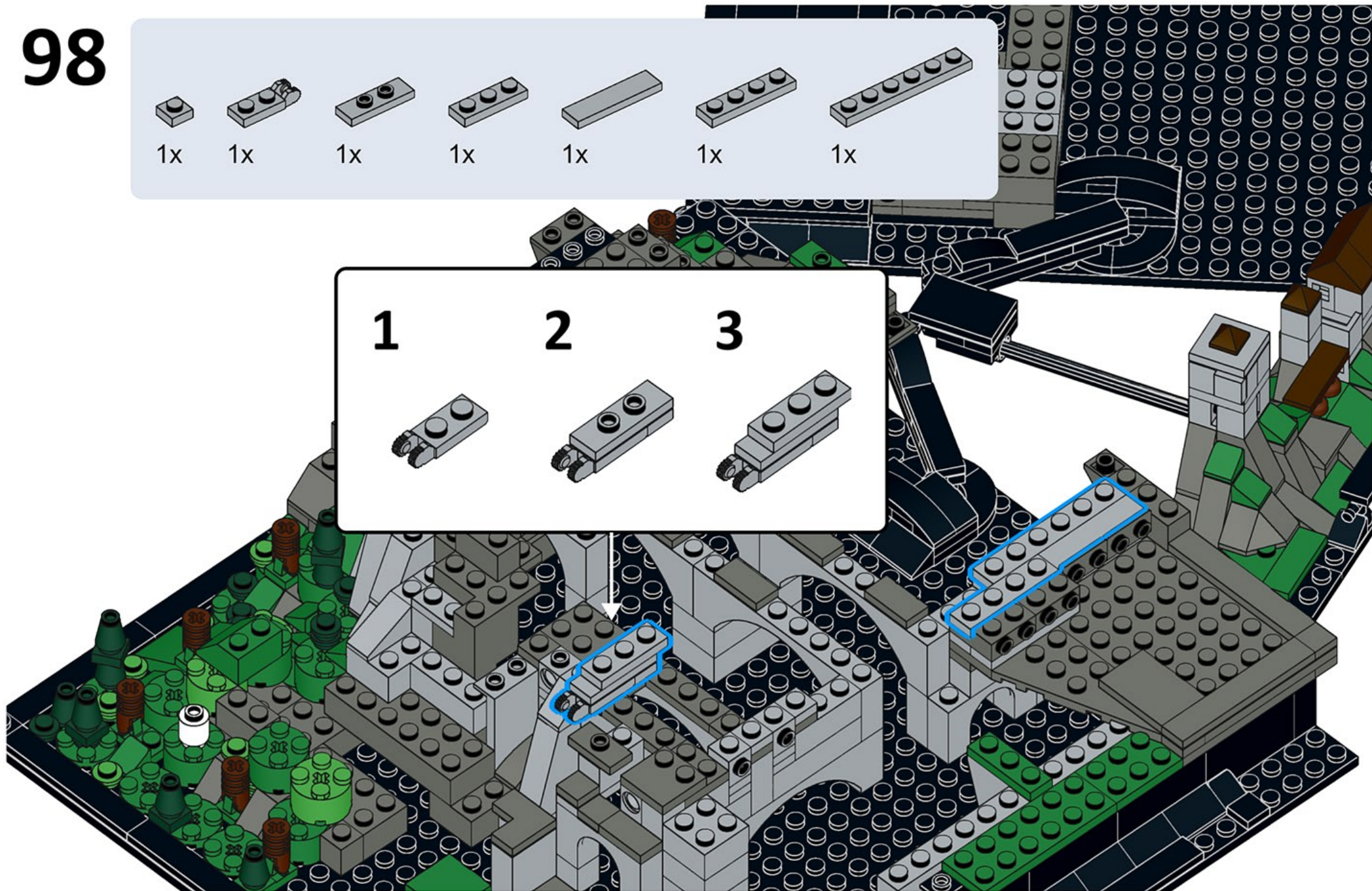
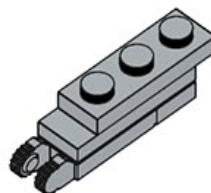
1



2

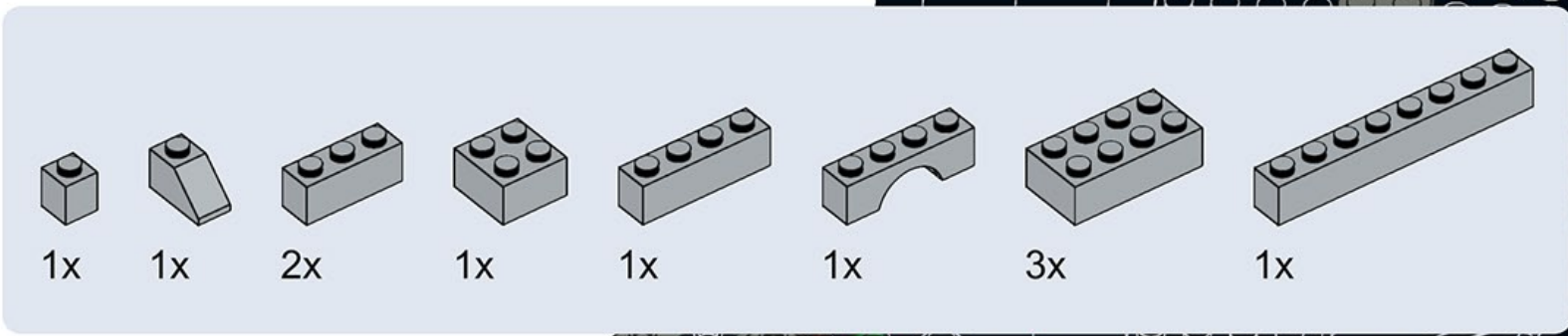


3



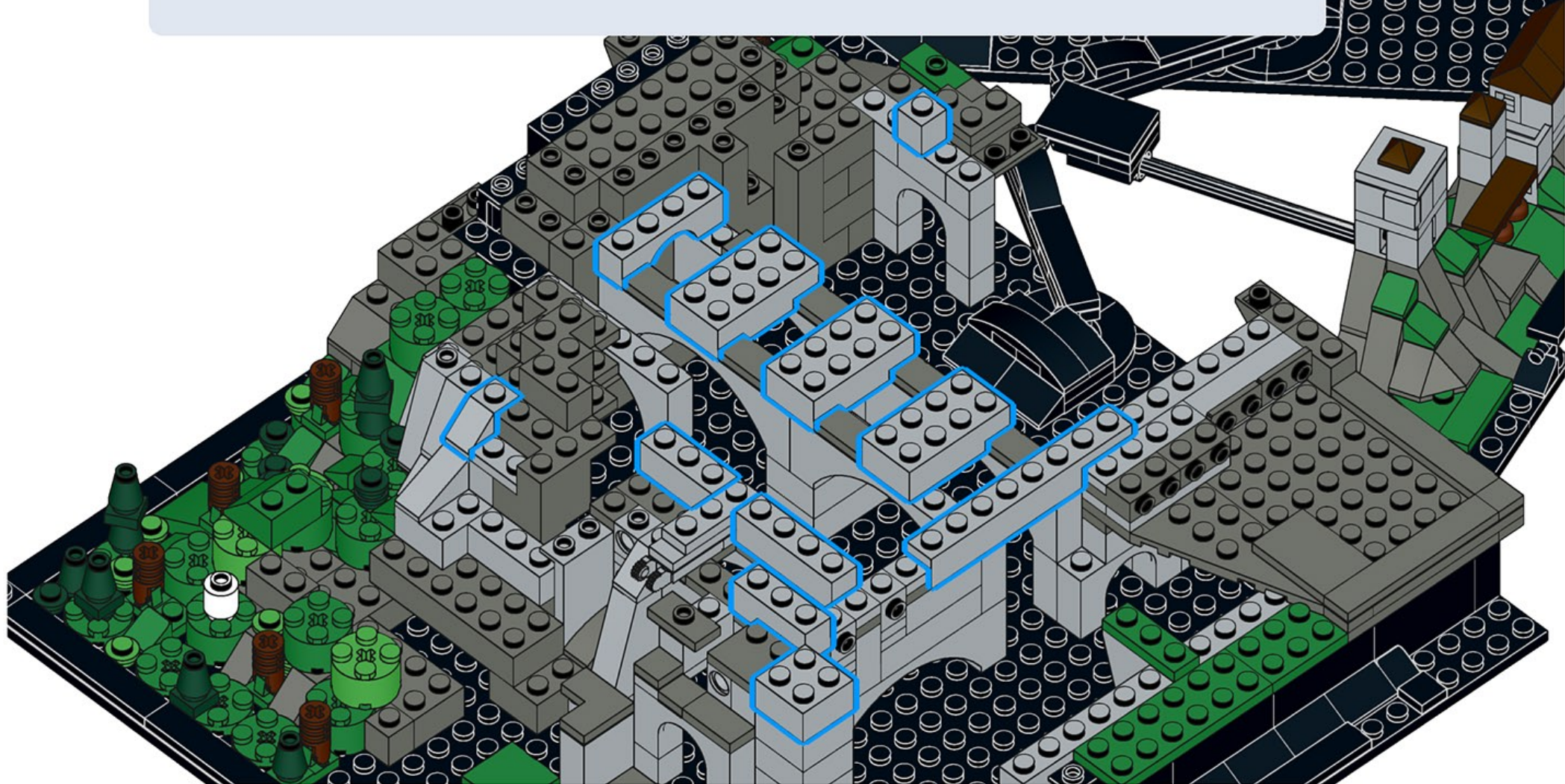


# 99



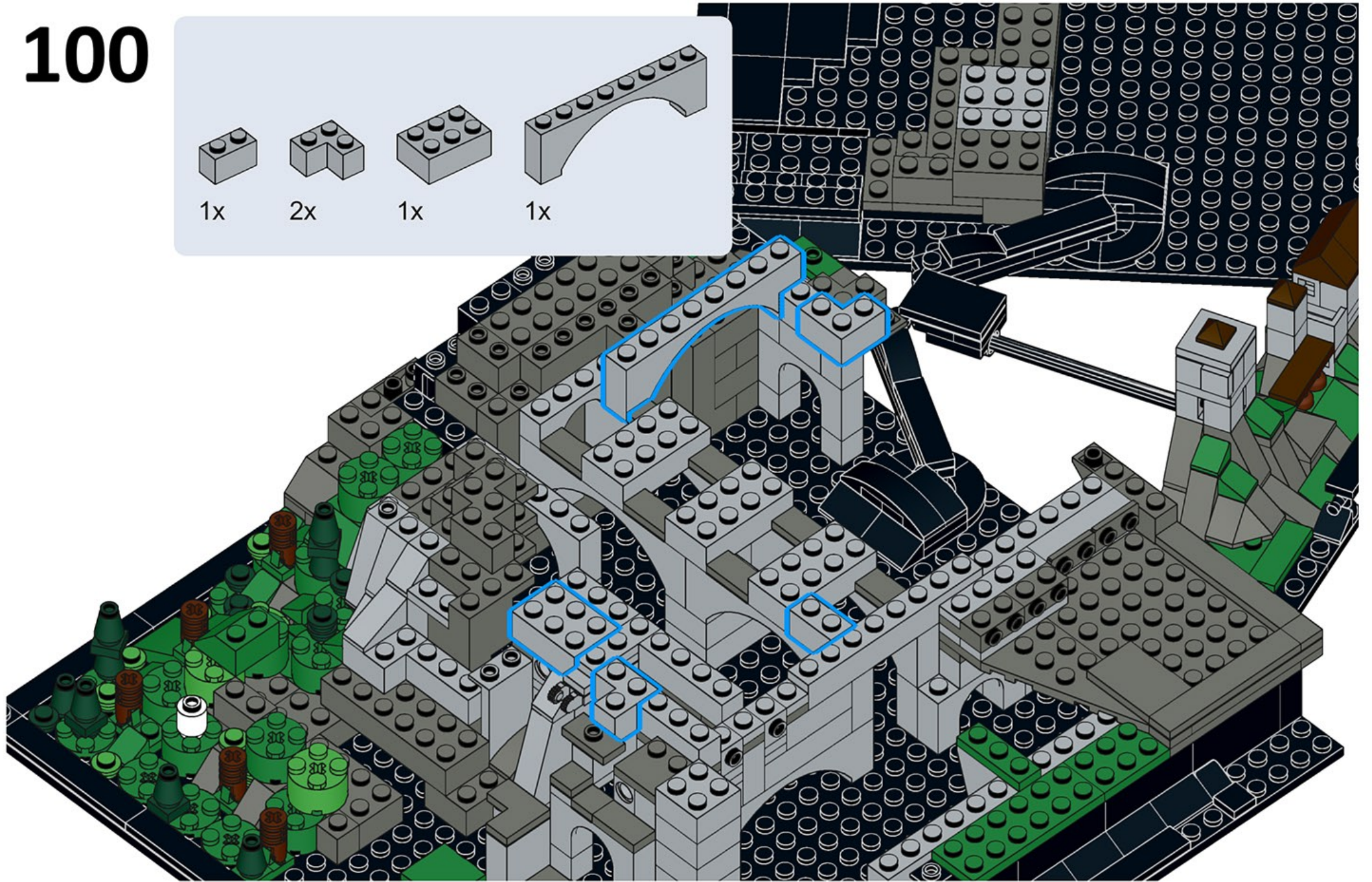
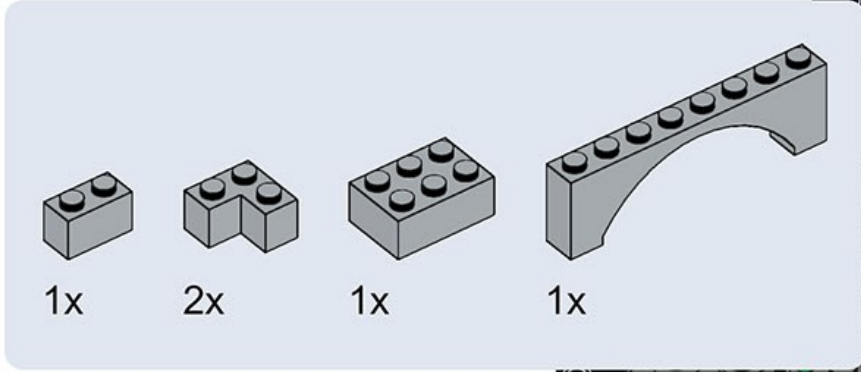
1x 1x 2x 1x 1x 1x 3x 1x

This block contains a list of eight LEGO parts with their respective quantities. From left to right: a 1x1 white square brick (1x), a 1x1 white wedge-shaped brick (1x), a 1x2 white 1-hole brick (2x), a 1x2 white 2-hole brick (1x), a 1x3 white 3-hole brick (1x), a 1x3 white 3-hole brick with a notch (1x), a 1x3 white 3-hole brick with a notch (3x), and a 1x5 white 5-hole brick (1x).



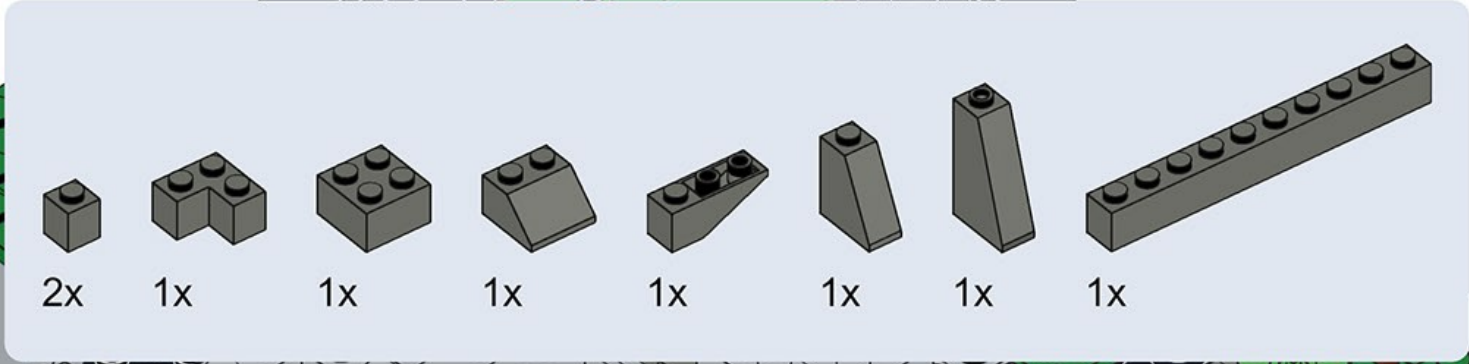


# 100



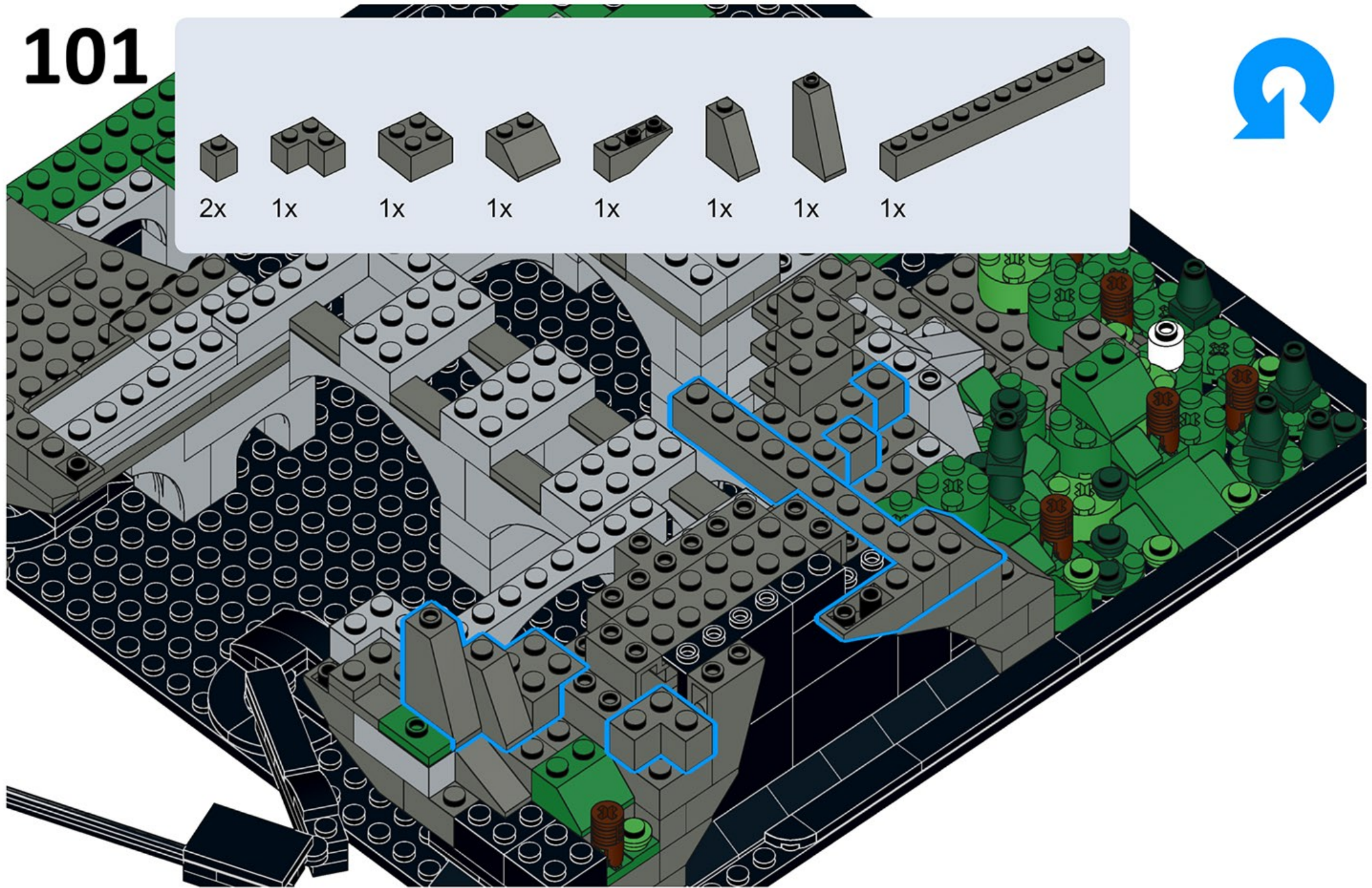


# 101








Parts list for step 101:

- 2x 1x1 grey brick
- 1x 1x2 grey brick
- 1x 1x3 grey brick
- 1x 1x2 grey brick with slope
- 1x 1x3 grey brick with slope
- 1x 1x2 grey brick with slope
- 1x 1x2 grey brick with slope
- 1x 1x7 grey brick








# 102


- 1x 
- 1x 
- 2x 
- 2x 
- 1x 





**1** 

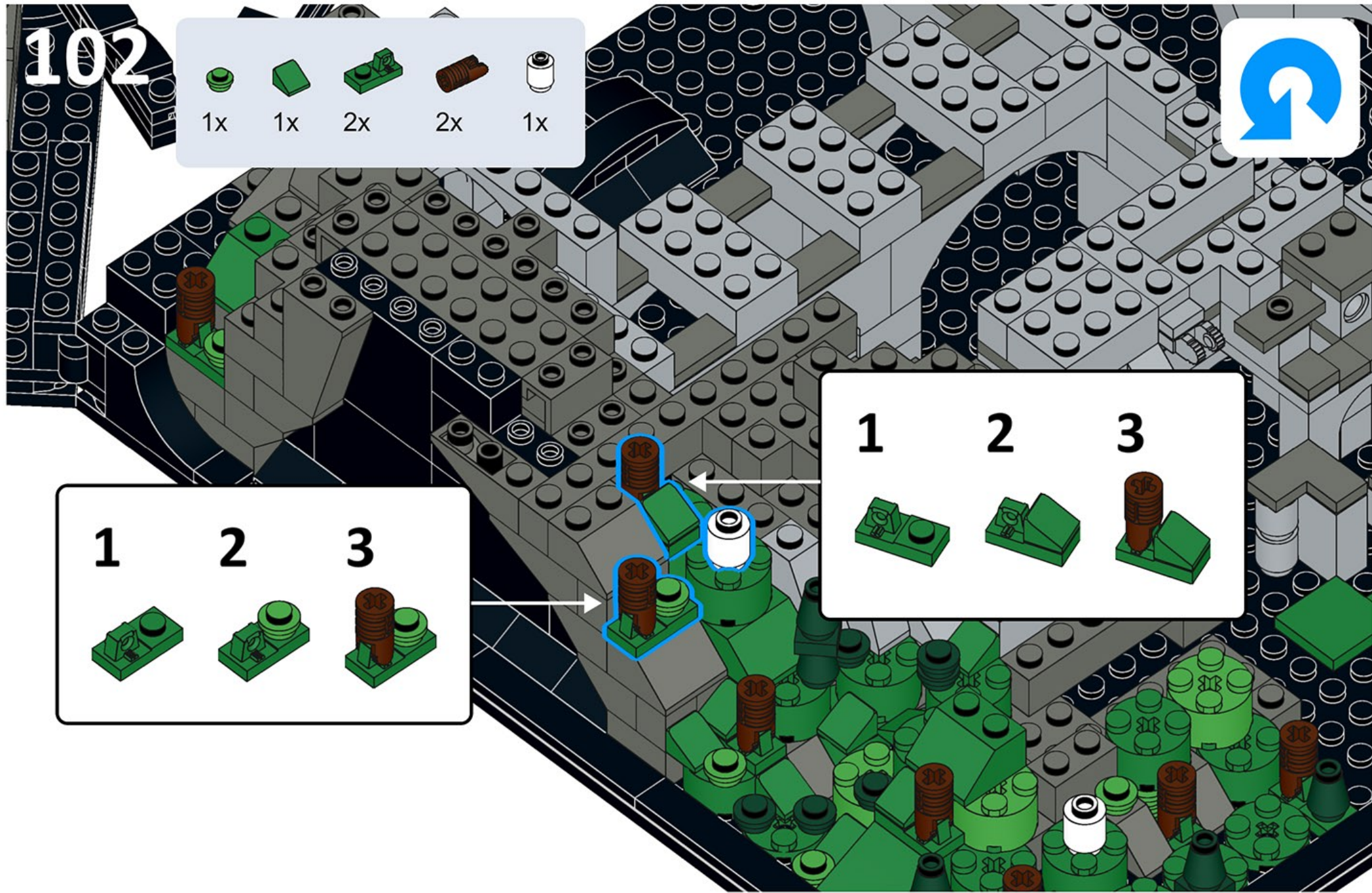
**2** 

**3** 

**1** 




**2** 

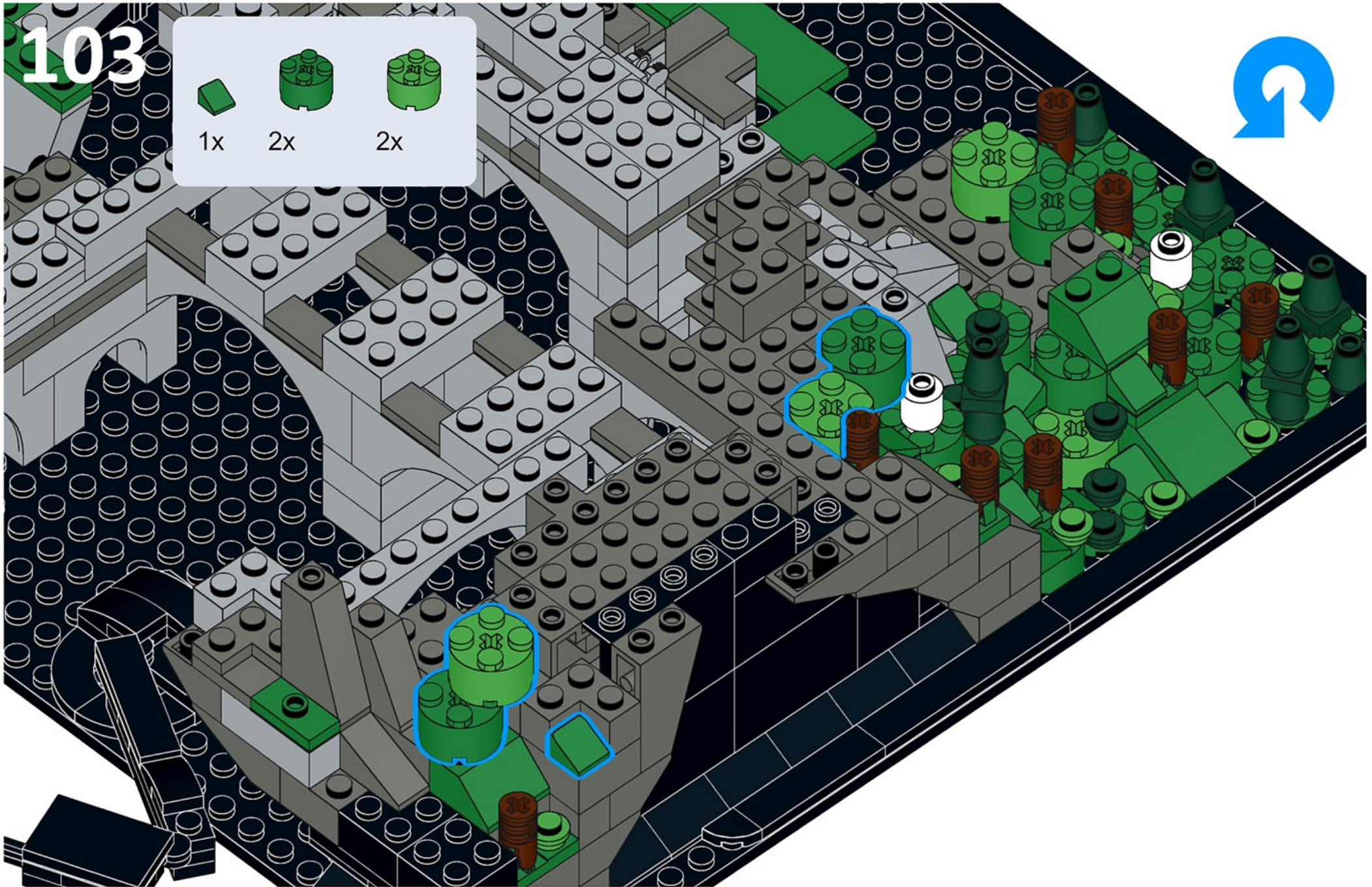
**3** 












103

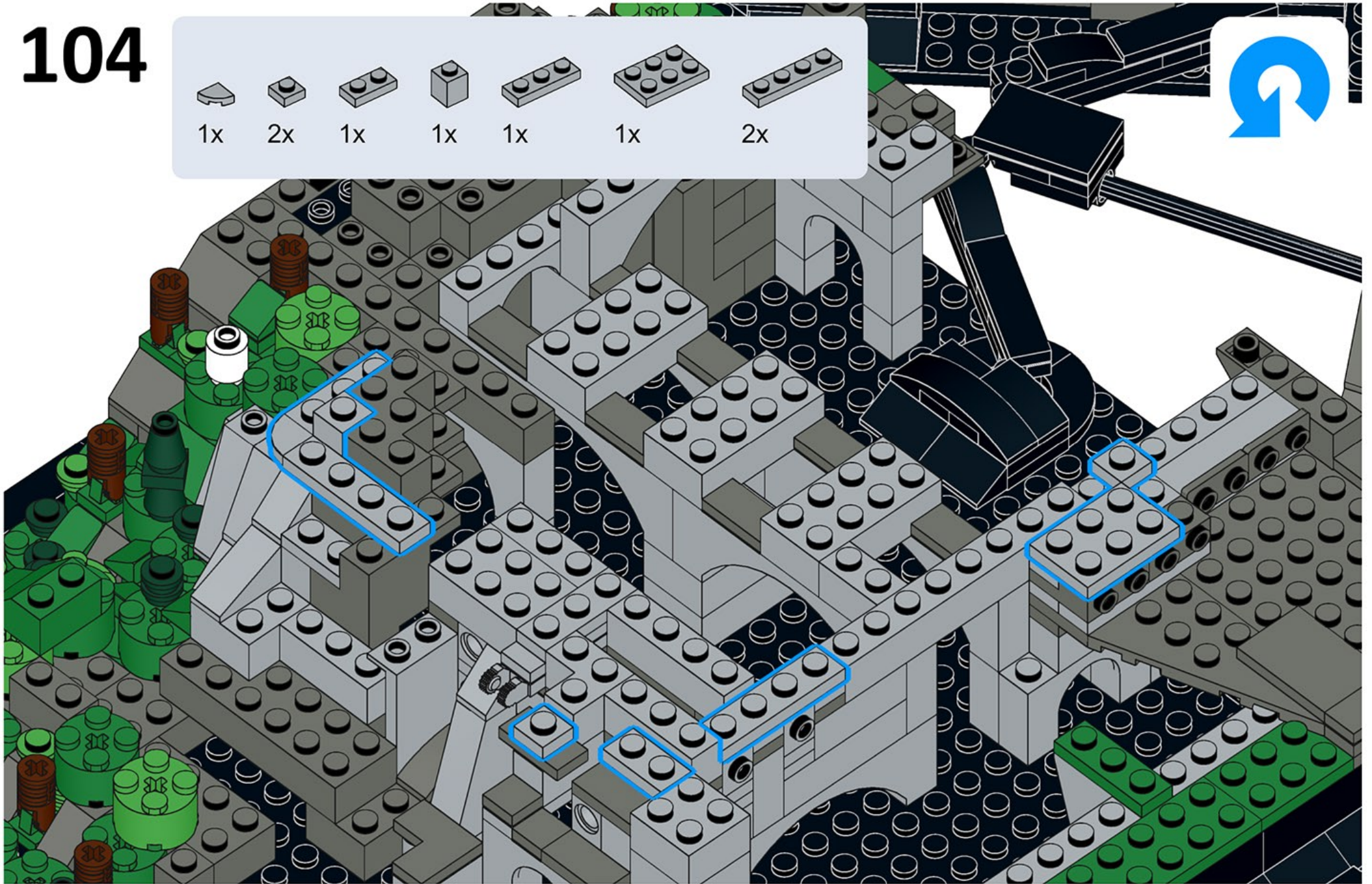
		
1x	2x	2x








# 104

						
1x	2x	1x	1x	1x	1x	2x





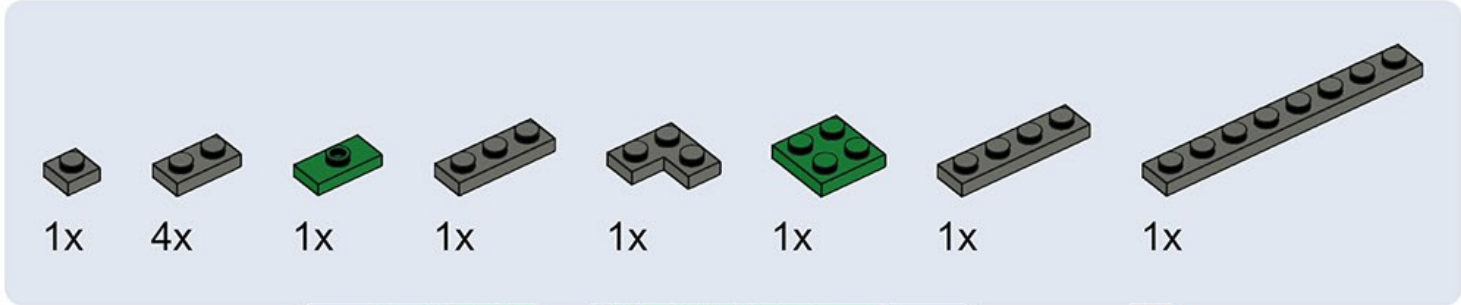
# 105

		
5x	1x	1x



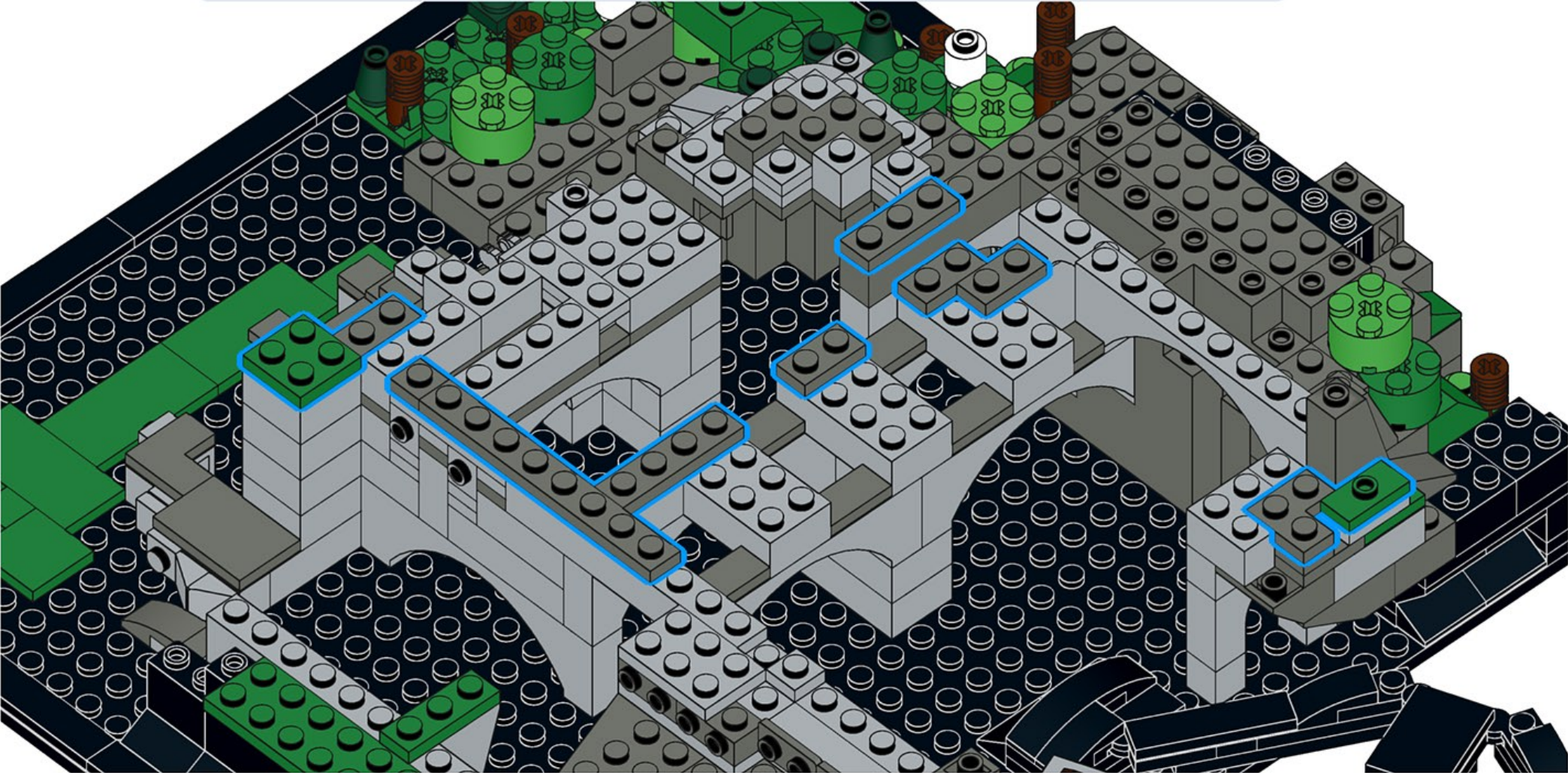


# 106



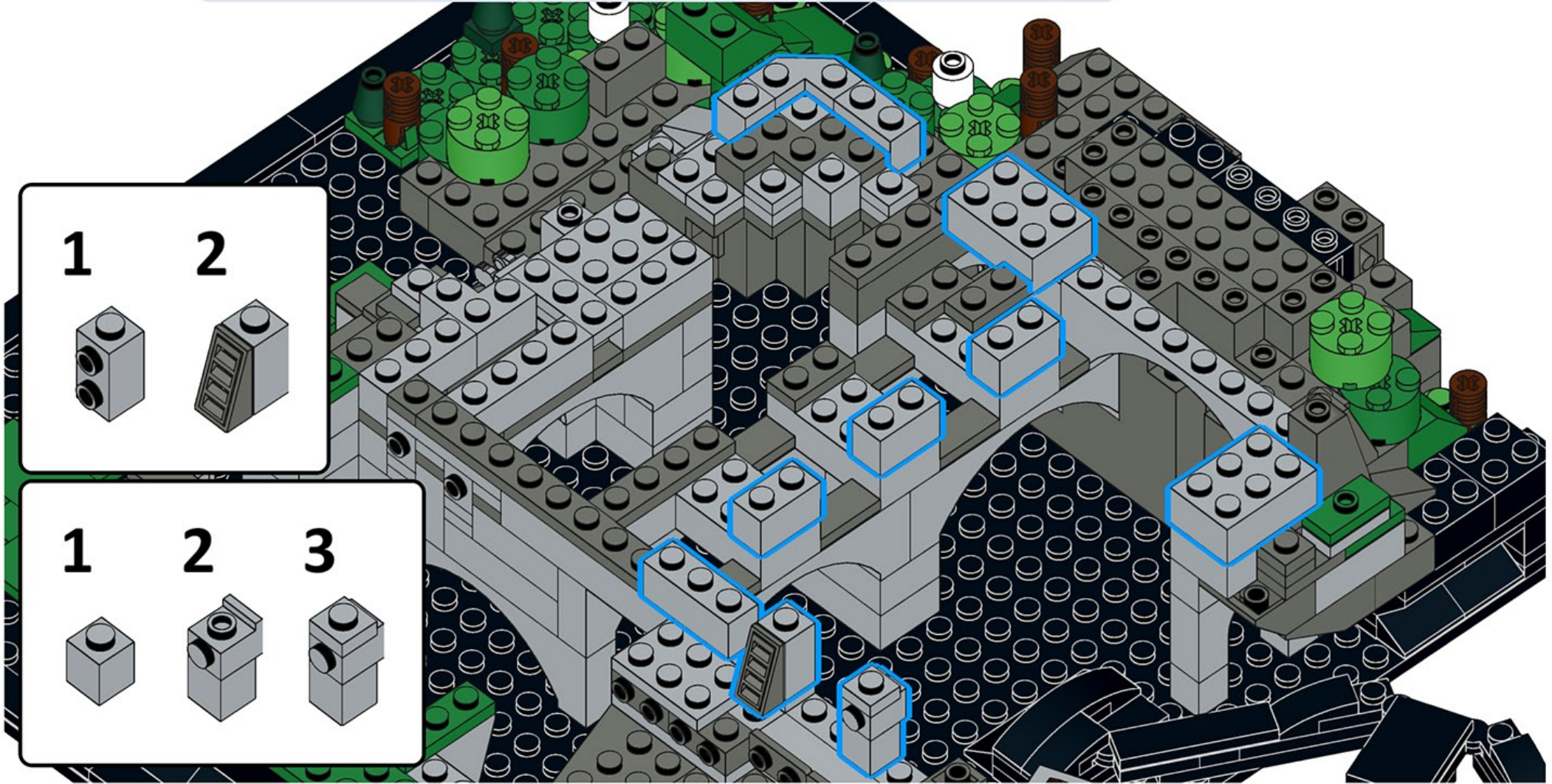
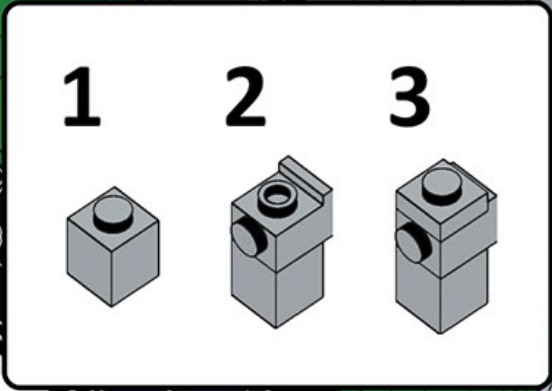
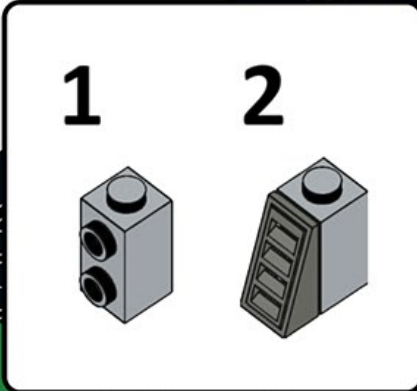
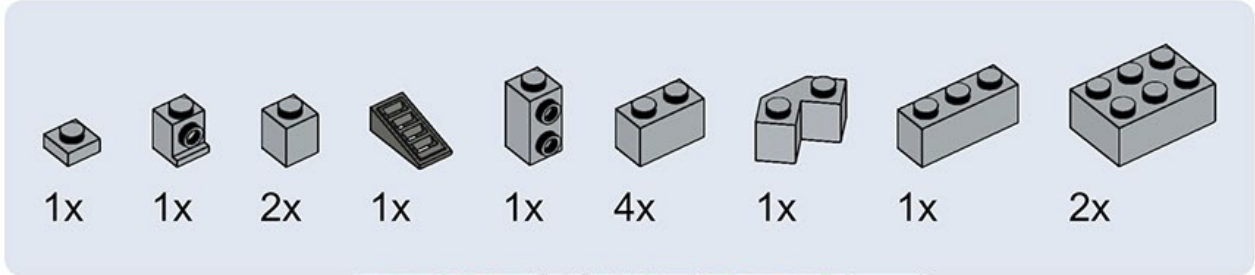
1x 4x 1x 1x 1x 1x 1x 1x

This block contains a list of eight LEGO parts with their respective quantities. From left to right: a 1x1 grey brick (1x), a 1x2 grey brick (4x), a 1x2 green brick (1x), a 1x4 grey brick (1x), a 1x2 grey L-shaped brick (1x), a 1x2 green brick (1x), a 1x4 grey brick (1x), and a 1x8 grey brick (1x).



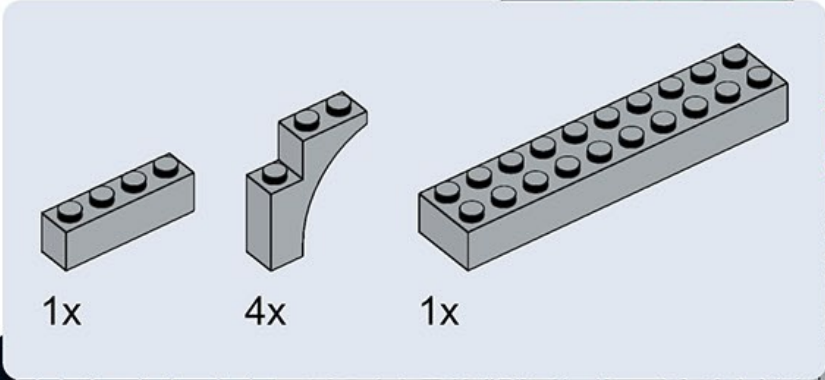


# 107

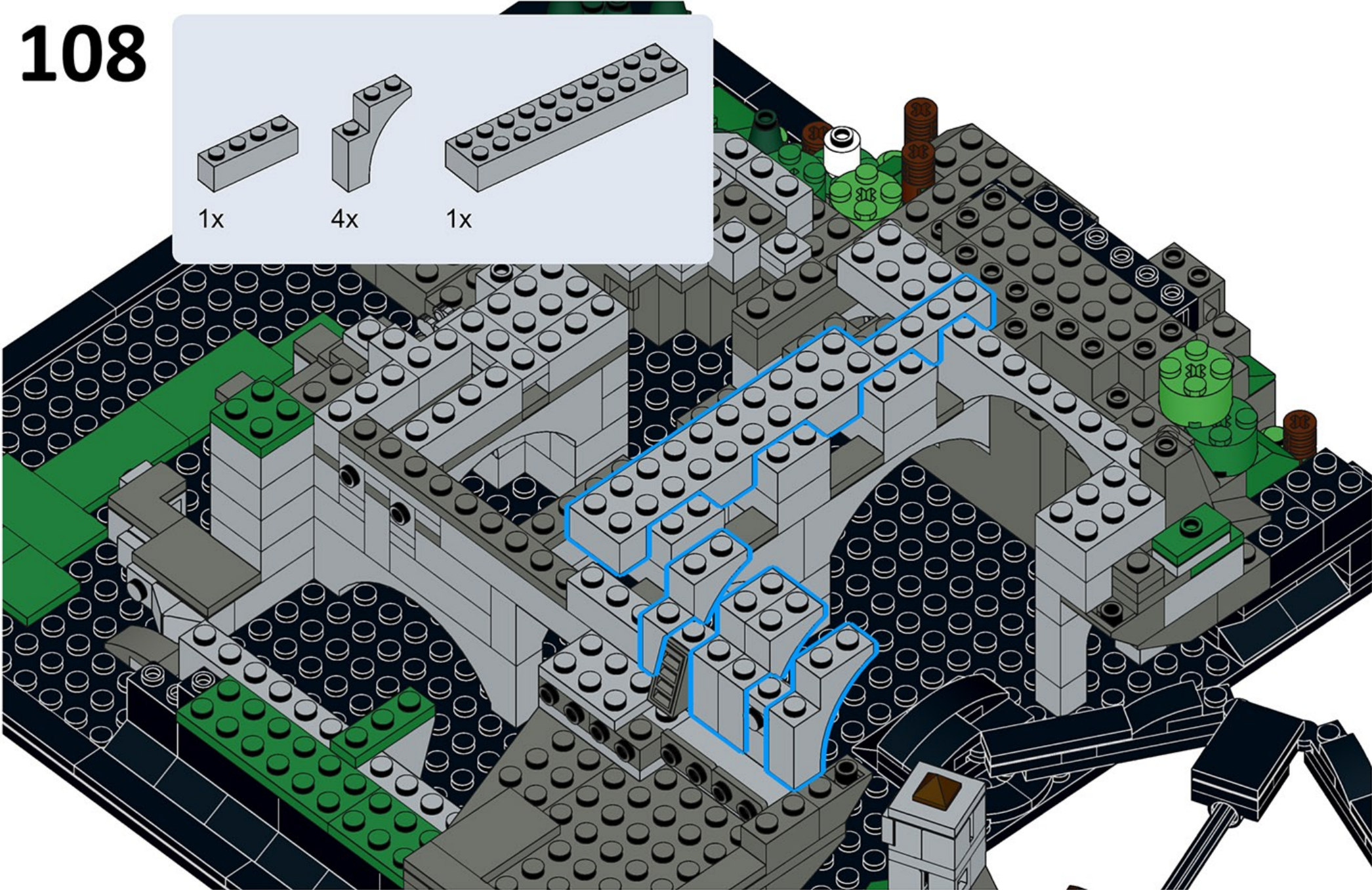




# 108

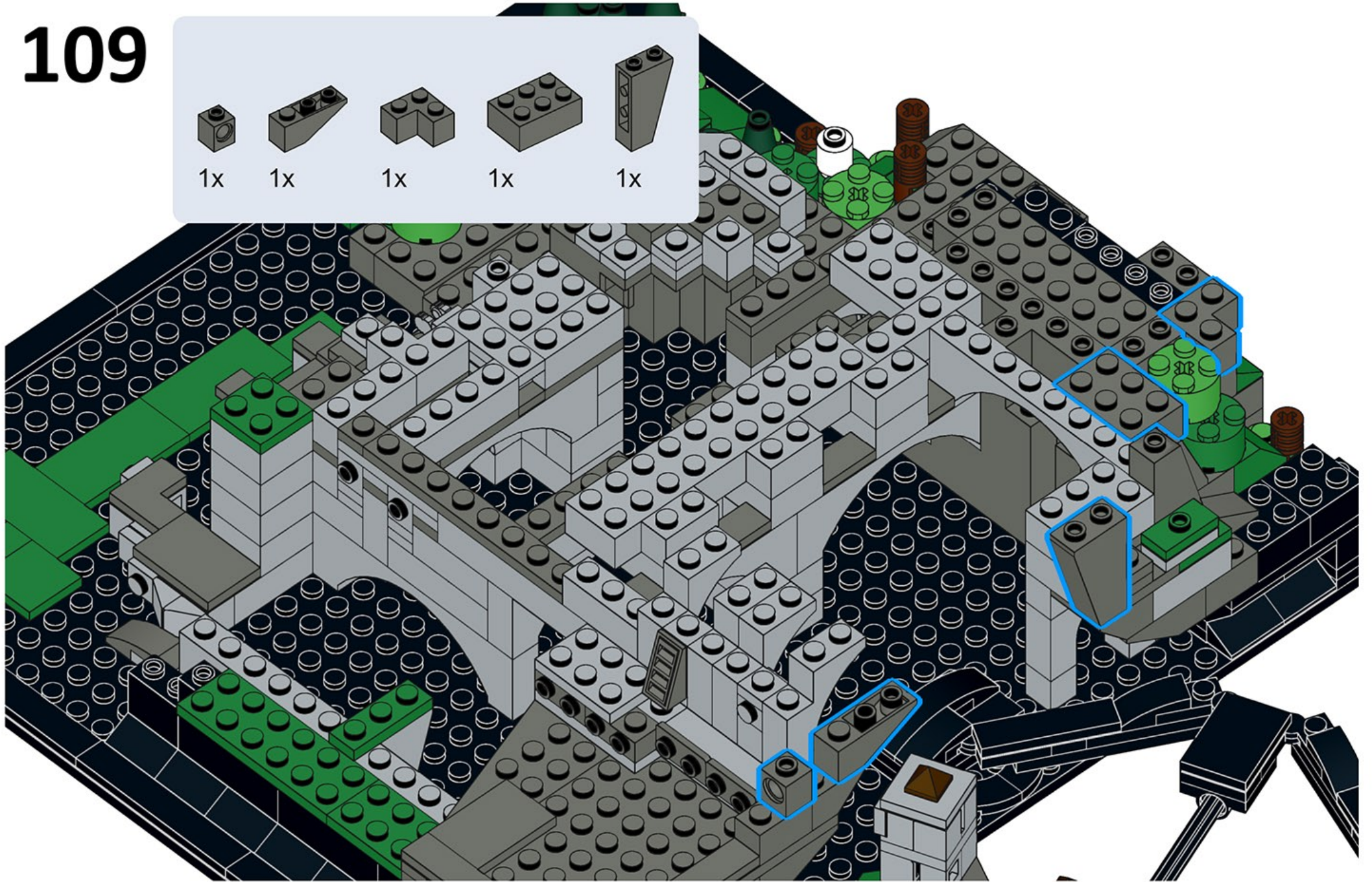
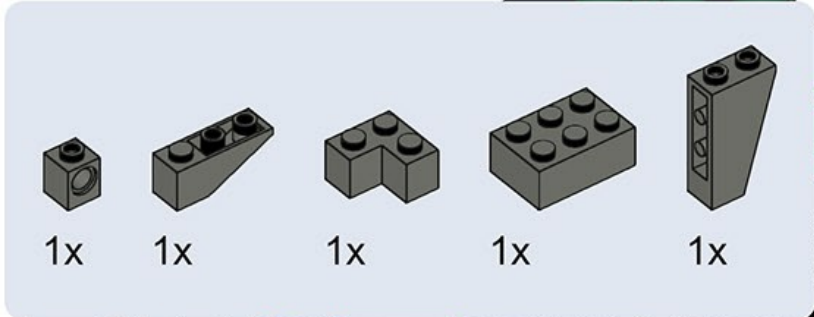


1x 1x3 grey Technic beam  
4x 1x2 grey Technic beam with 1 hole and 1 notch  
1x 1x7 grey Technic beam



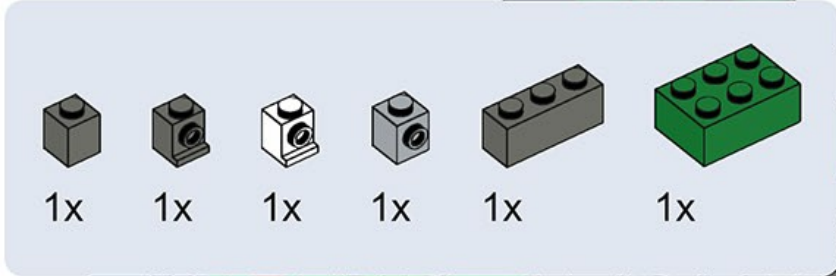


# 109





# 110








1x 1x 1x 1x 1x 1x

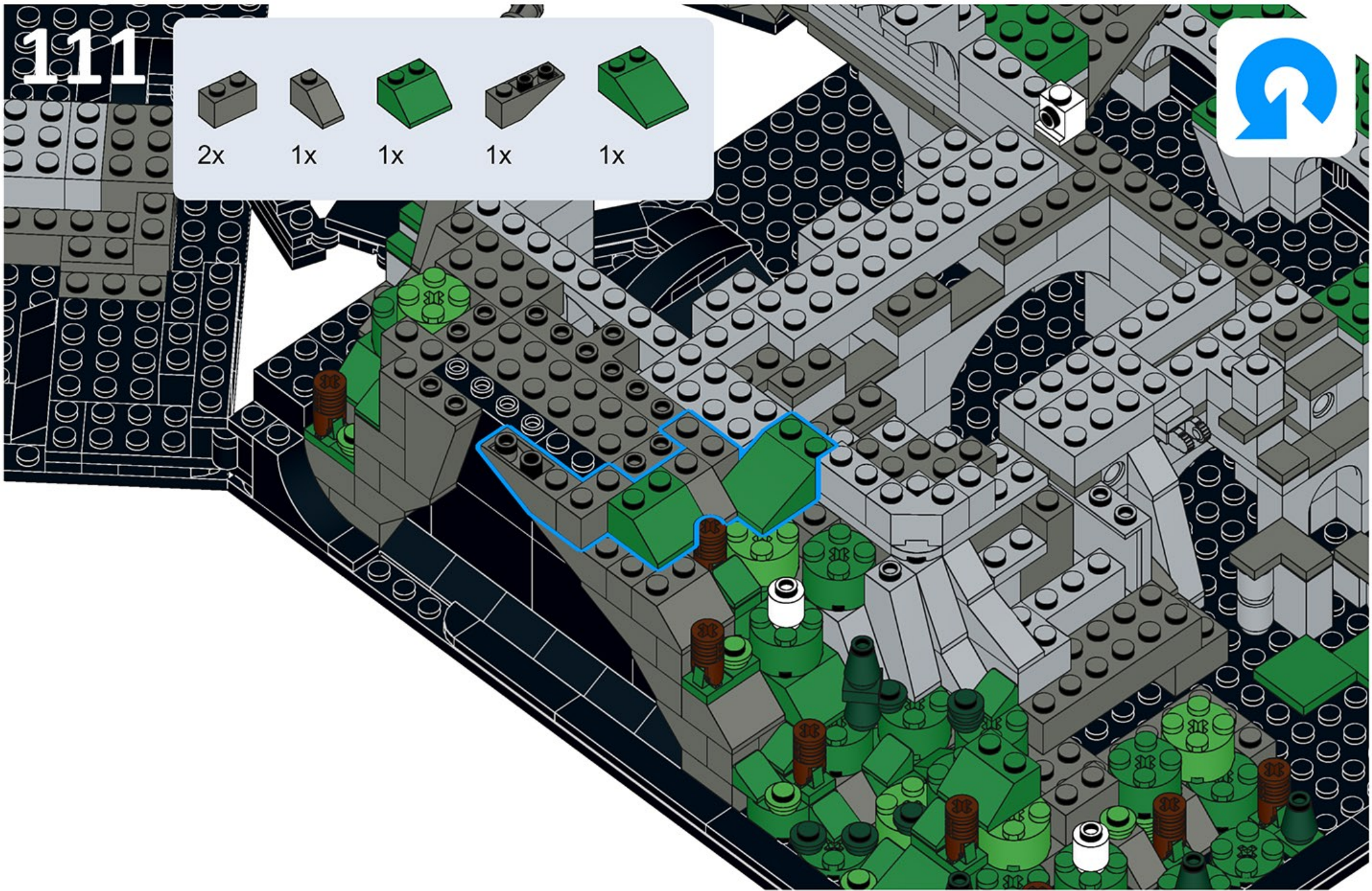
This block contains a list of six LEGO parts, each with a '1x' quantity below it. From left to right: a grey 1x1 brick with a hole; a grey 1x1 brick with a hole and a notch; a white 1x1 brick with a hole and a notch; a grey 1x1 brick with a hole and a notch; a grey 1x2 brick; and a green 1x2 brick.





111

				
2x	1x	1x	1x	1x





# 112



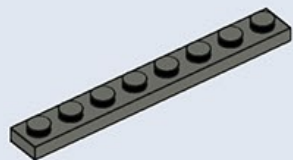
1x



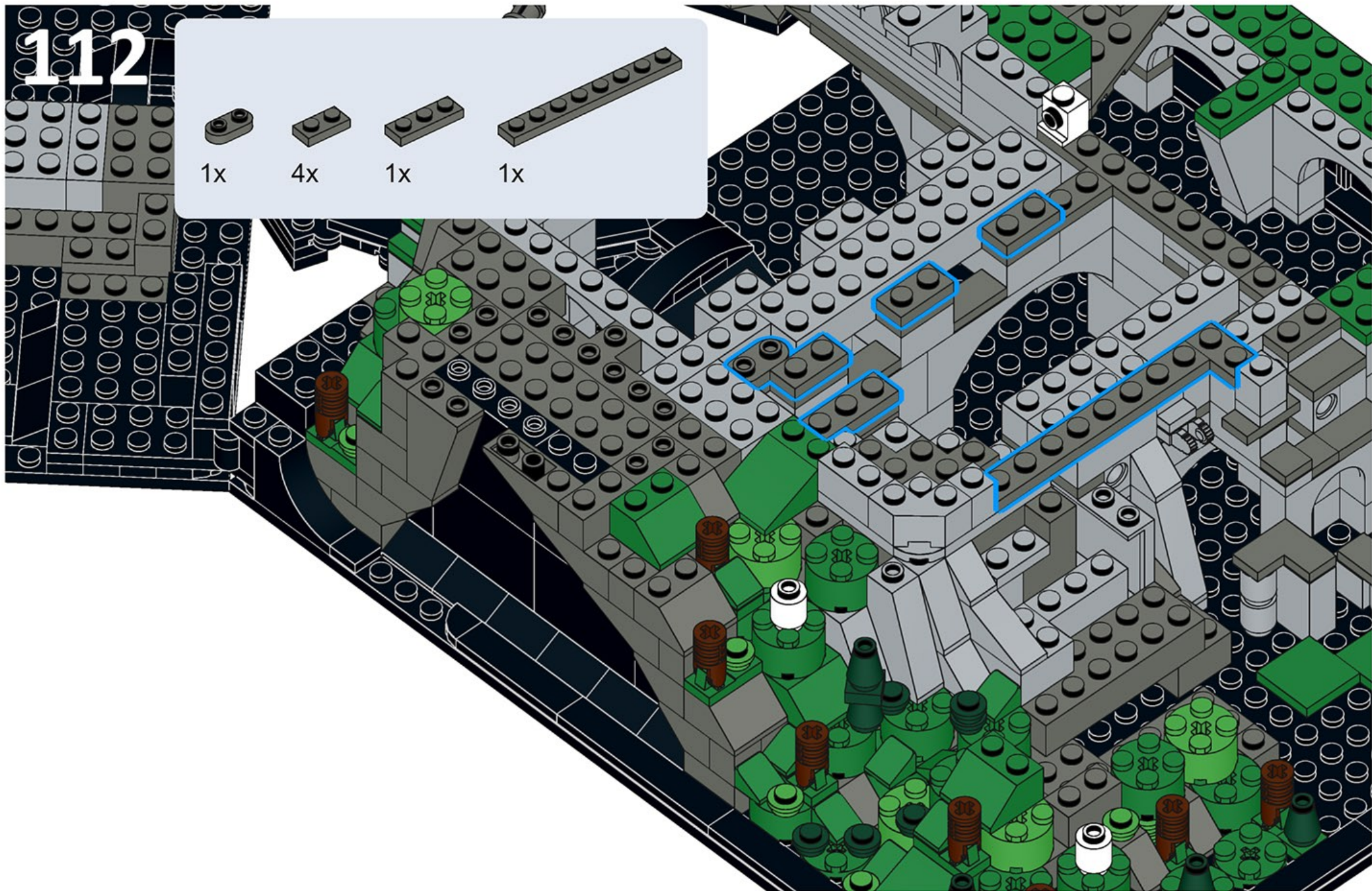
4x



1x

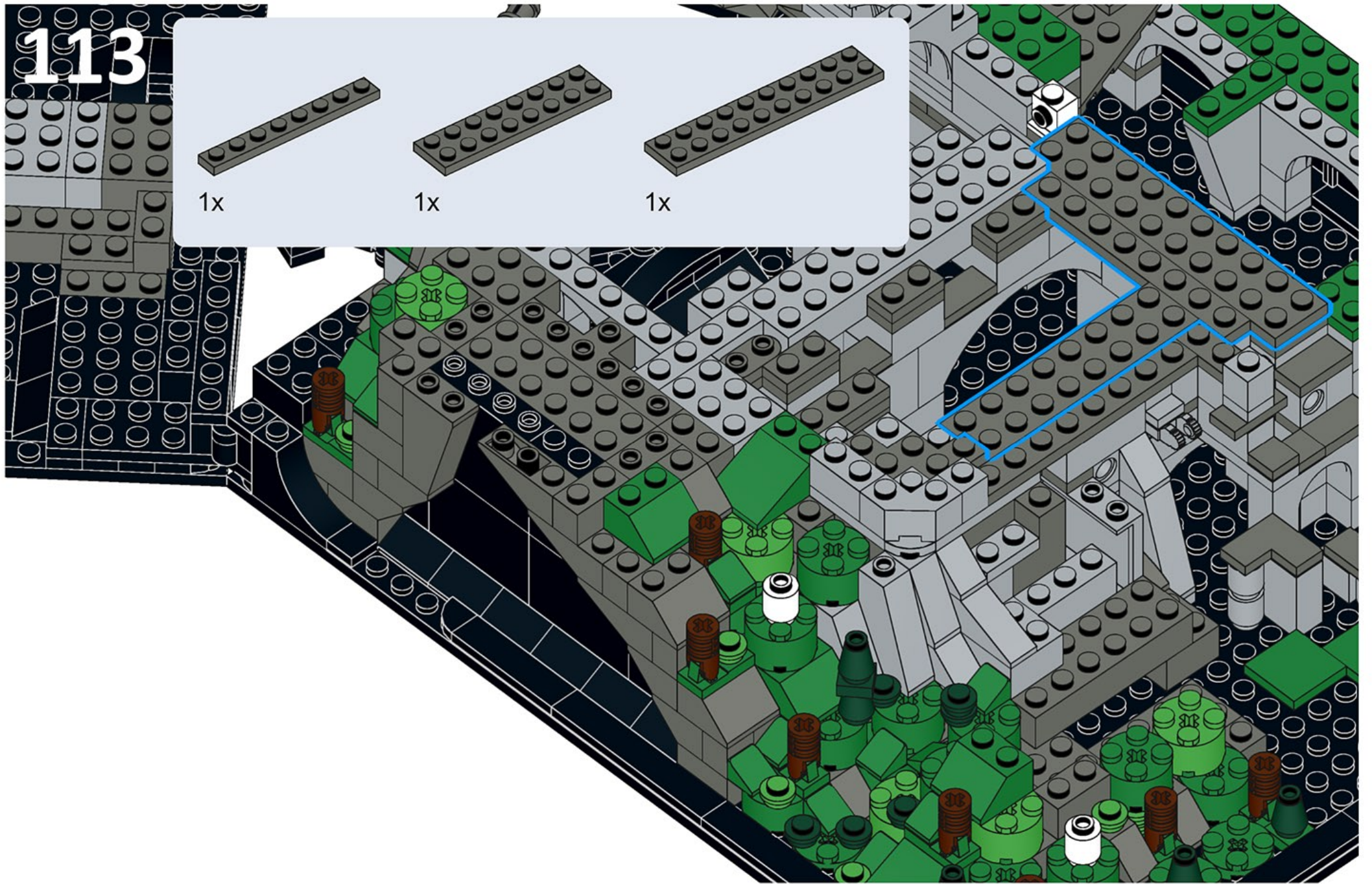
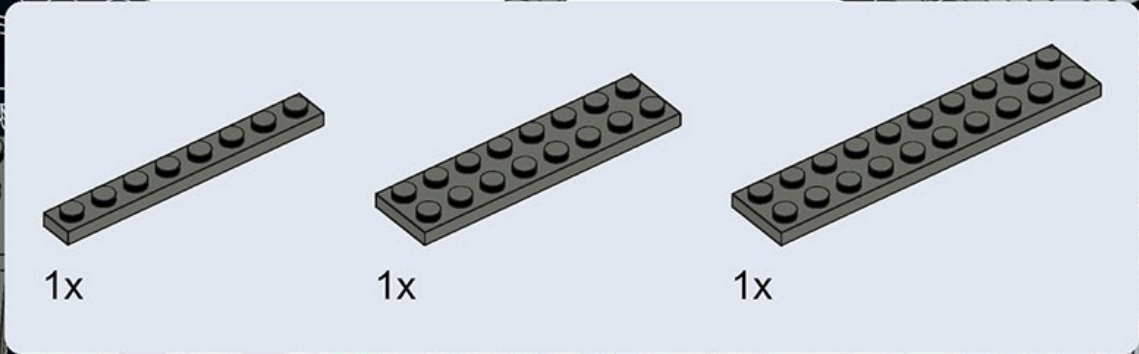


1x





# 113





# 114



3x



1x

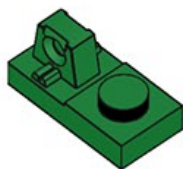


2x



2x

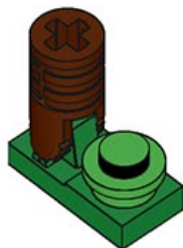
1



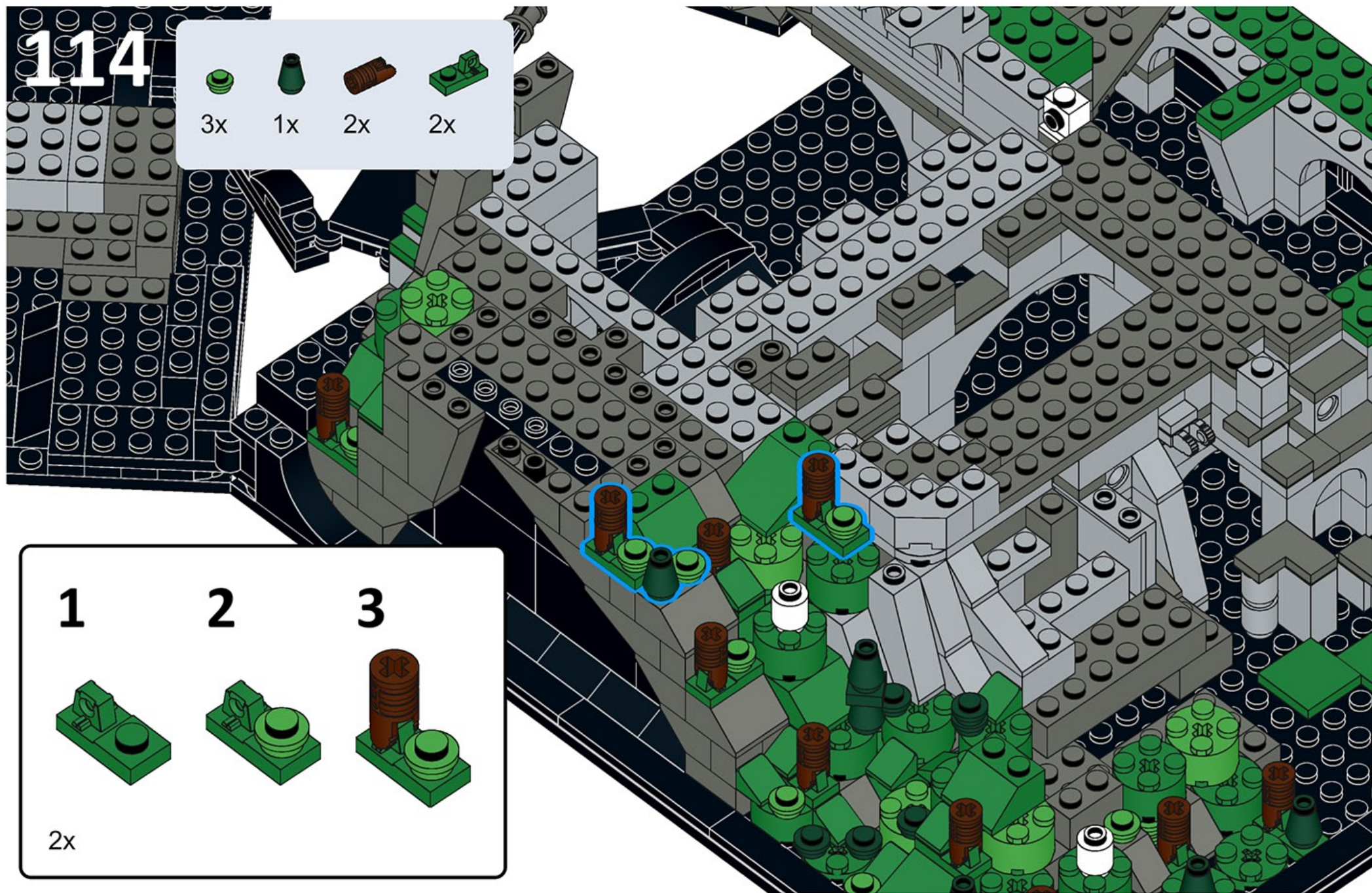
2



3



2x





# 115



1x



2x



1x



2x



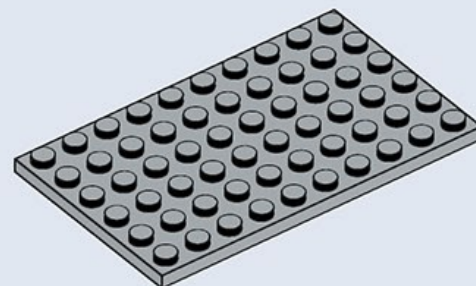
1x



1x

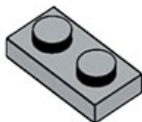


1x

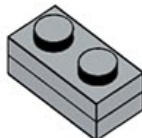


1x

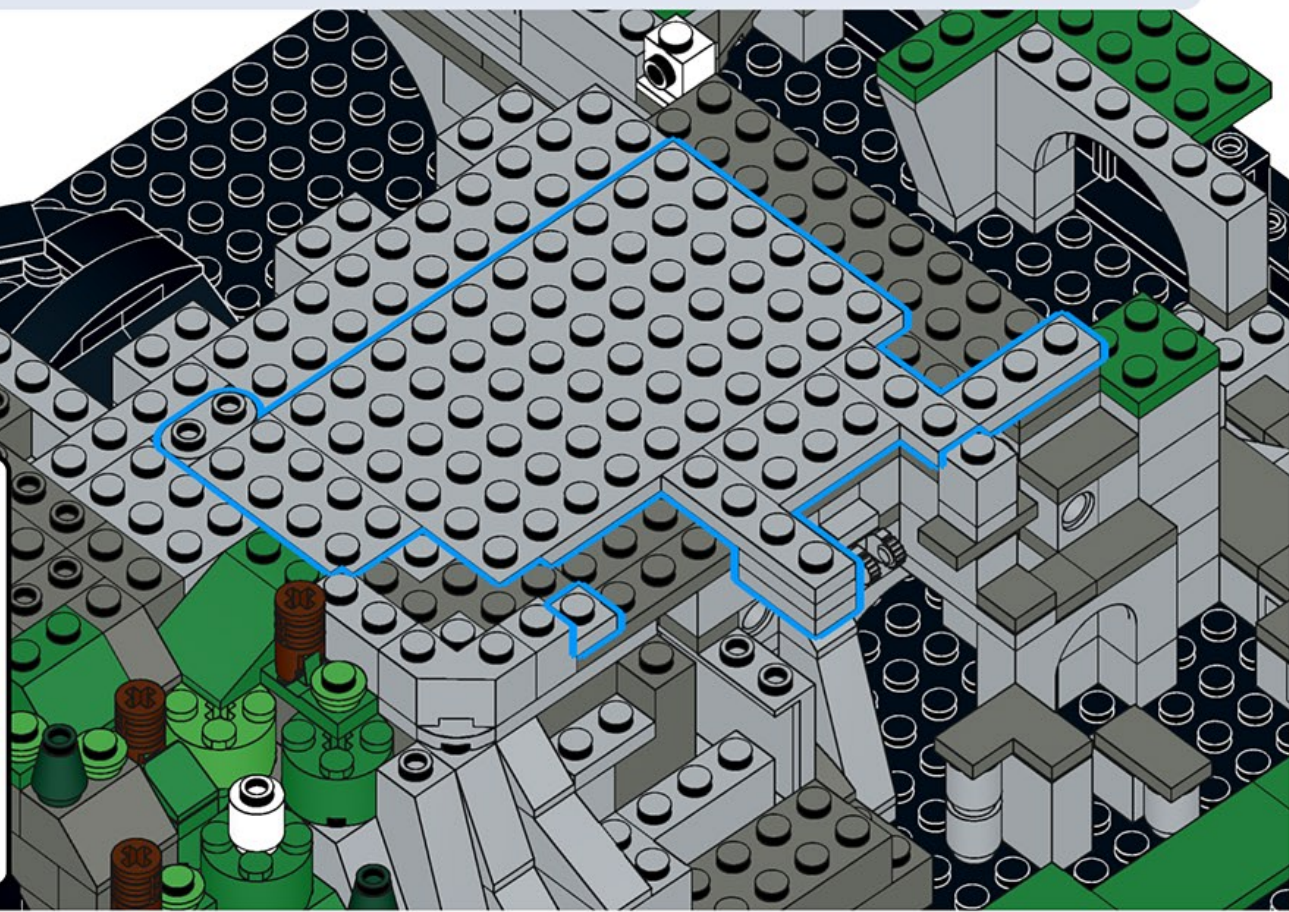
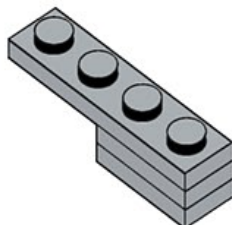
1



2









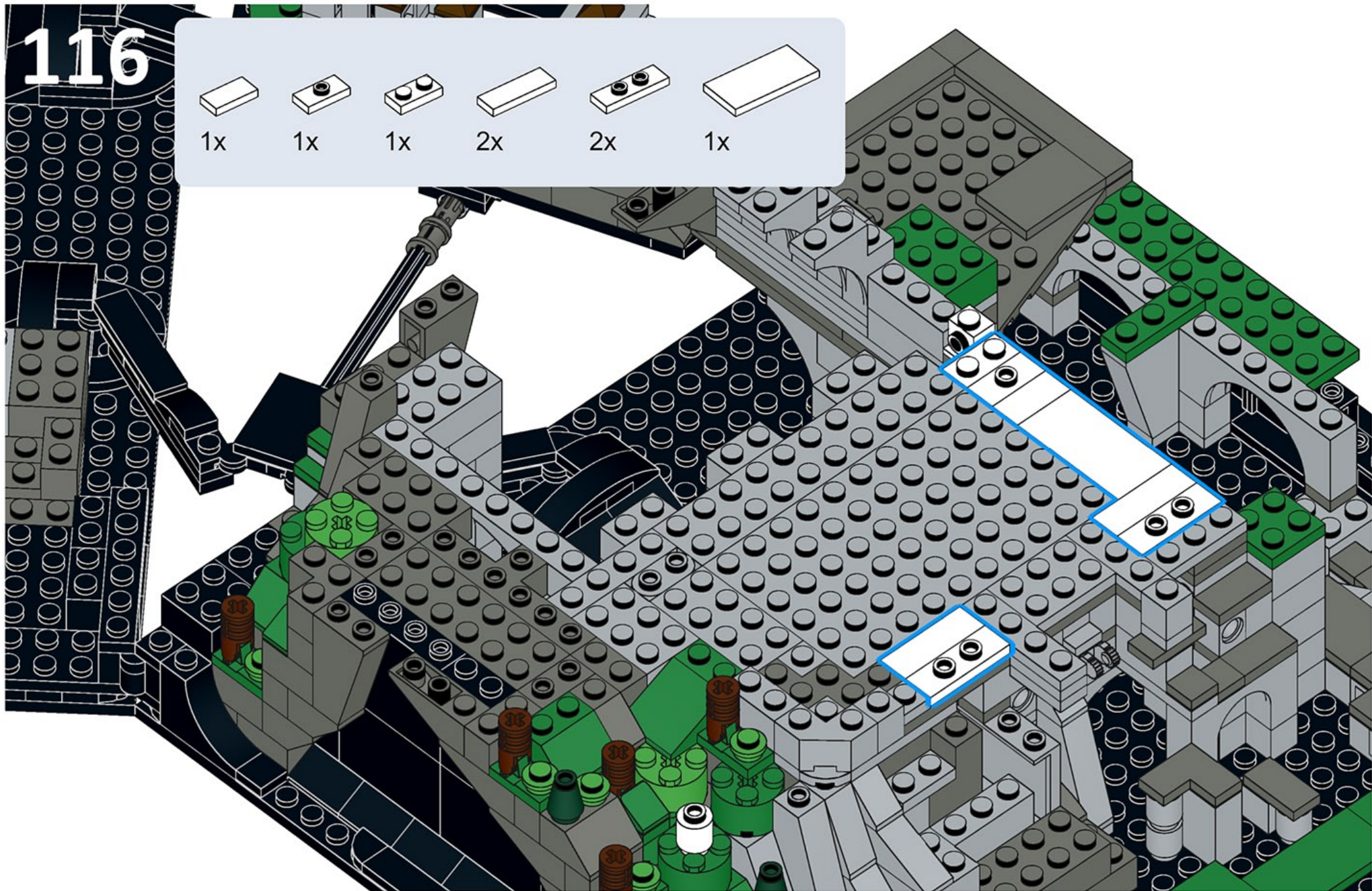
3





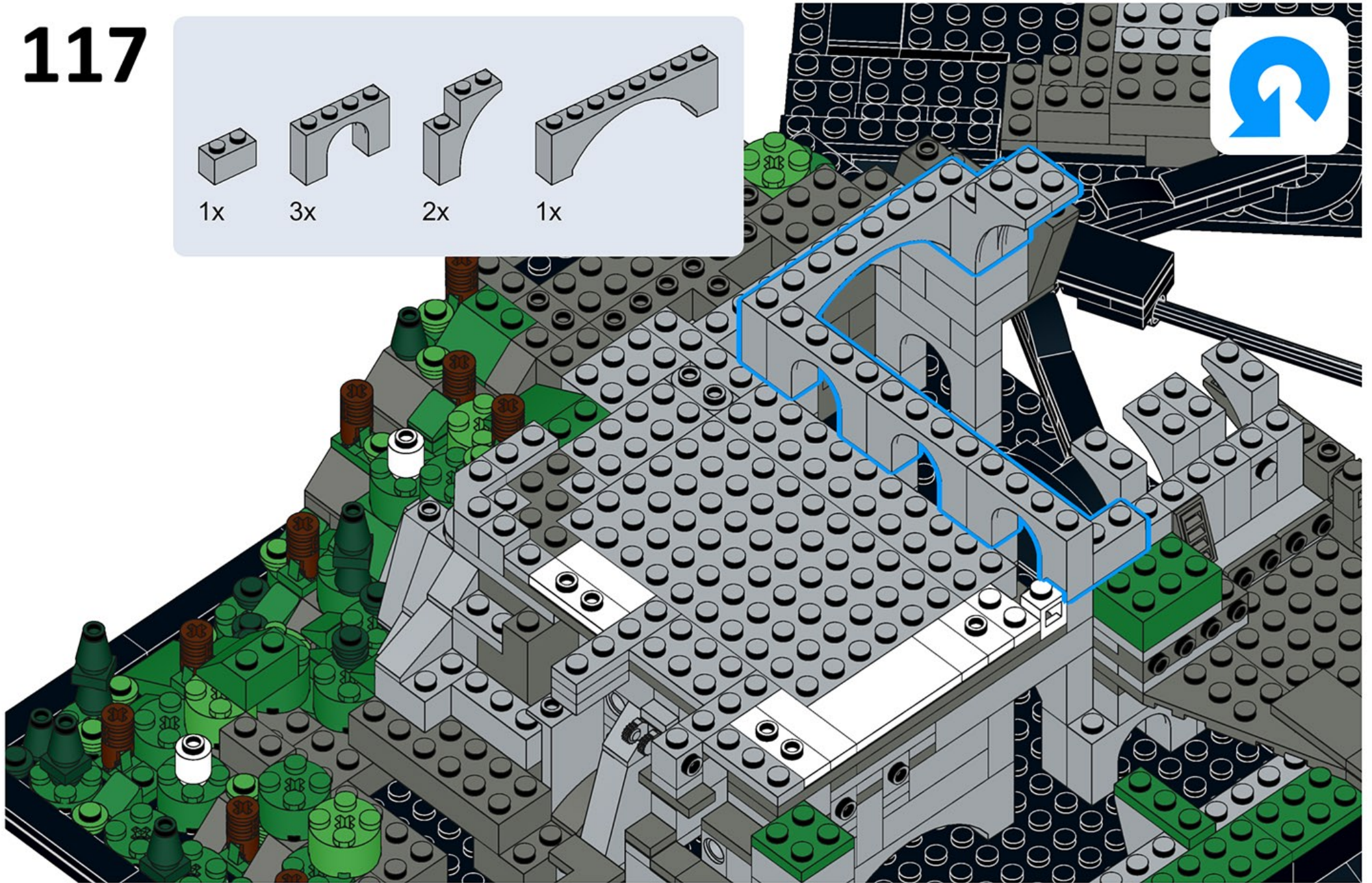
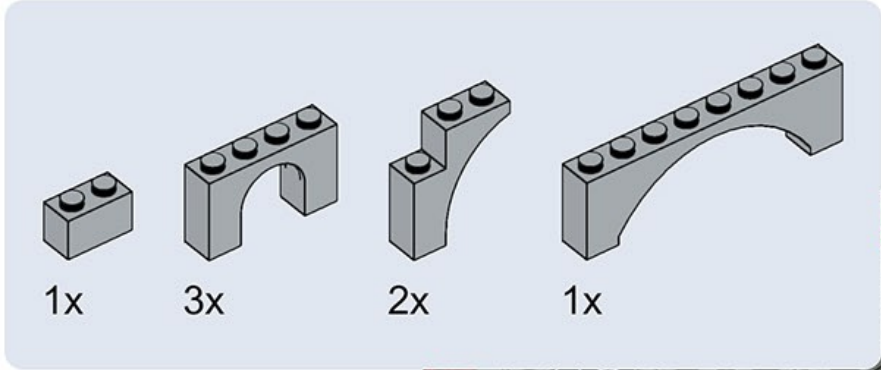
# 116

					
1x	1x	1x	2x	2x	1x





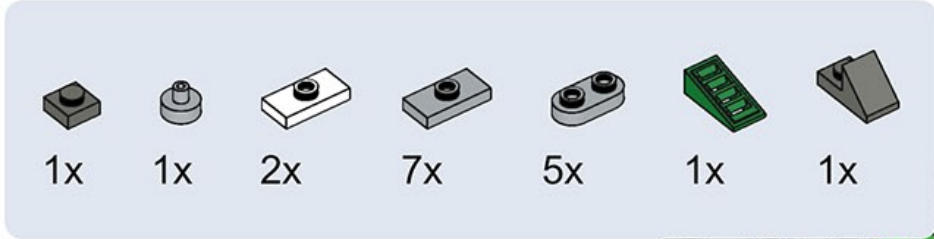
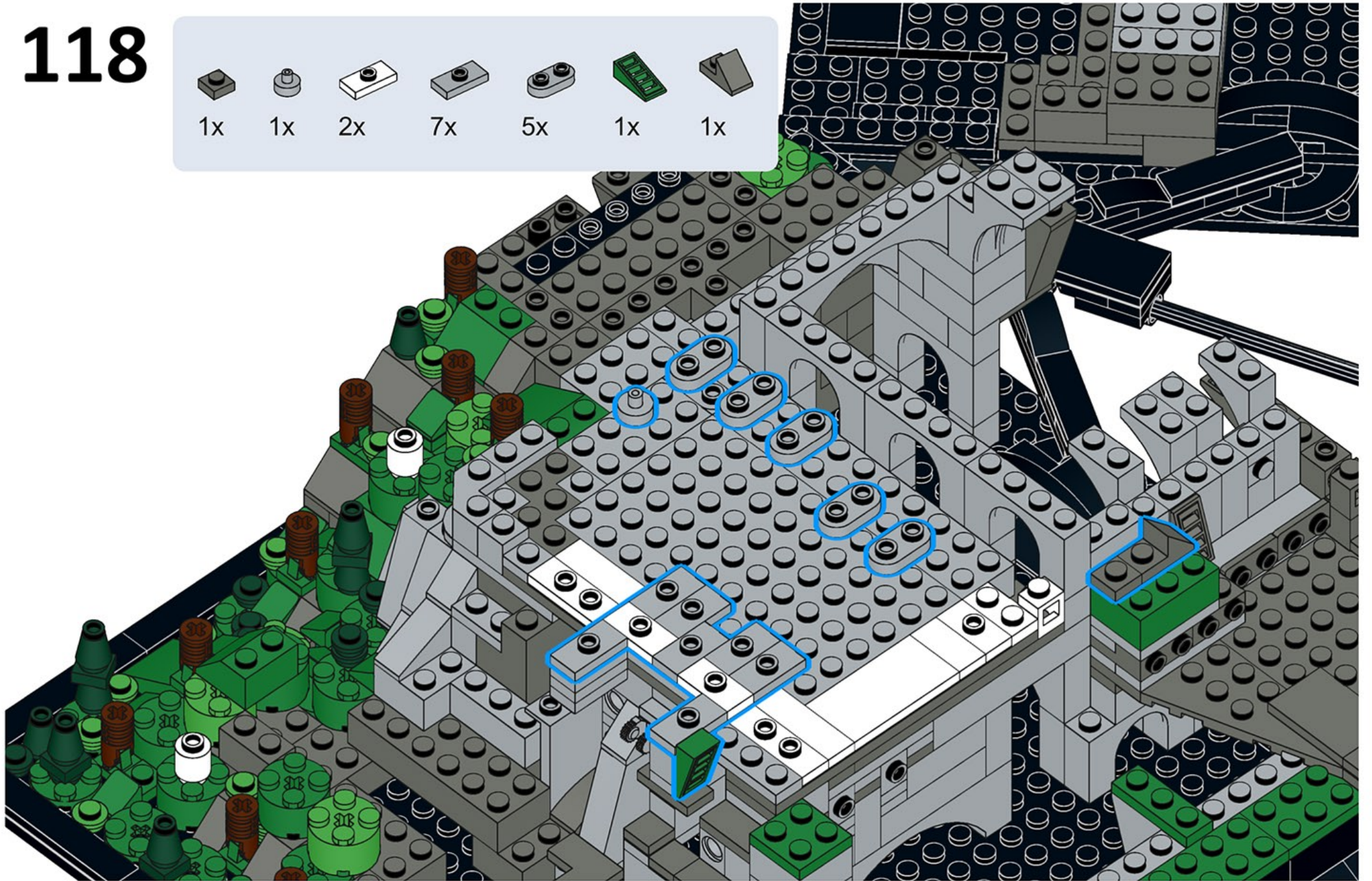
# 117





# 118

1x 1x 2x 7x 5x 1x 1x

A parts list for step 118, showing seven items with their respective quantities: 1x grey 1x1 brick with a hole, 1x grey 1x1 pin, 2x grey 1x2 brick with a hole, 7x grey 1x3 brick with a hole, 5x grey 1x3 brick with a hole, 1x green 1x3 brick with a hole, and 1x grey 1x2 wedge.



# 119



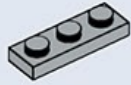
4x



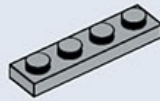
1x



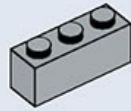
1x



1x



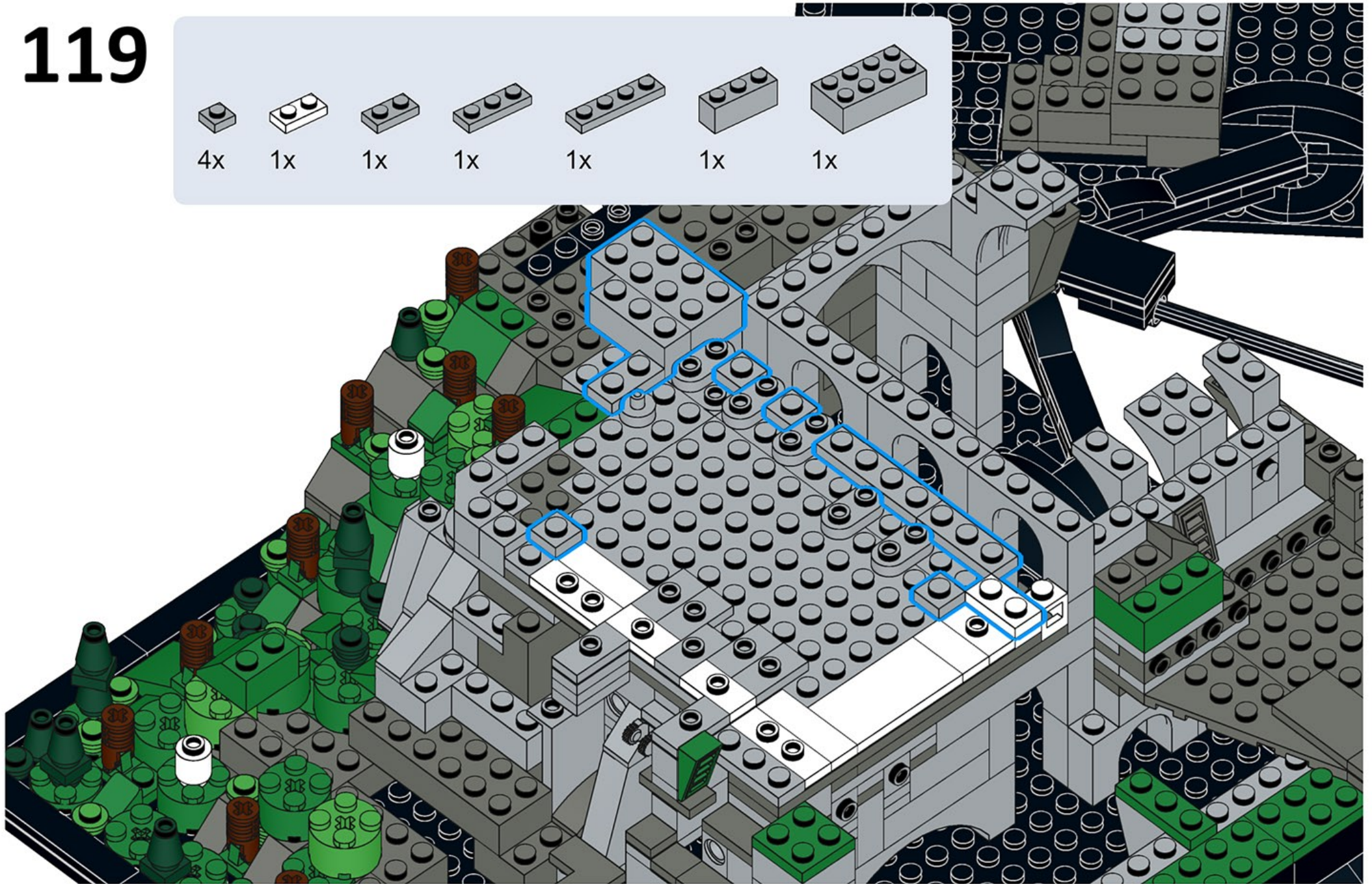
1x



1x



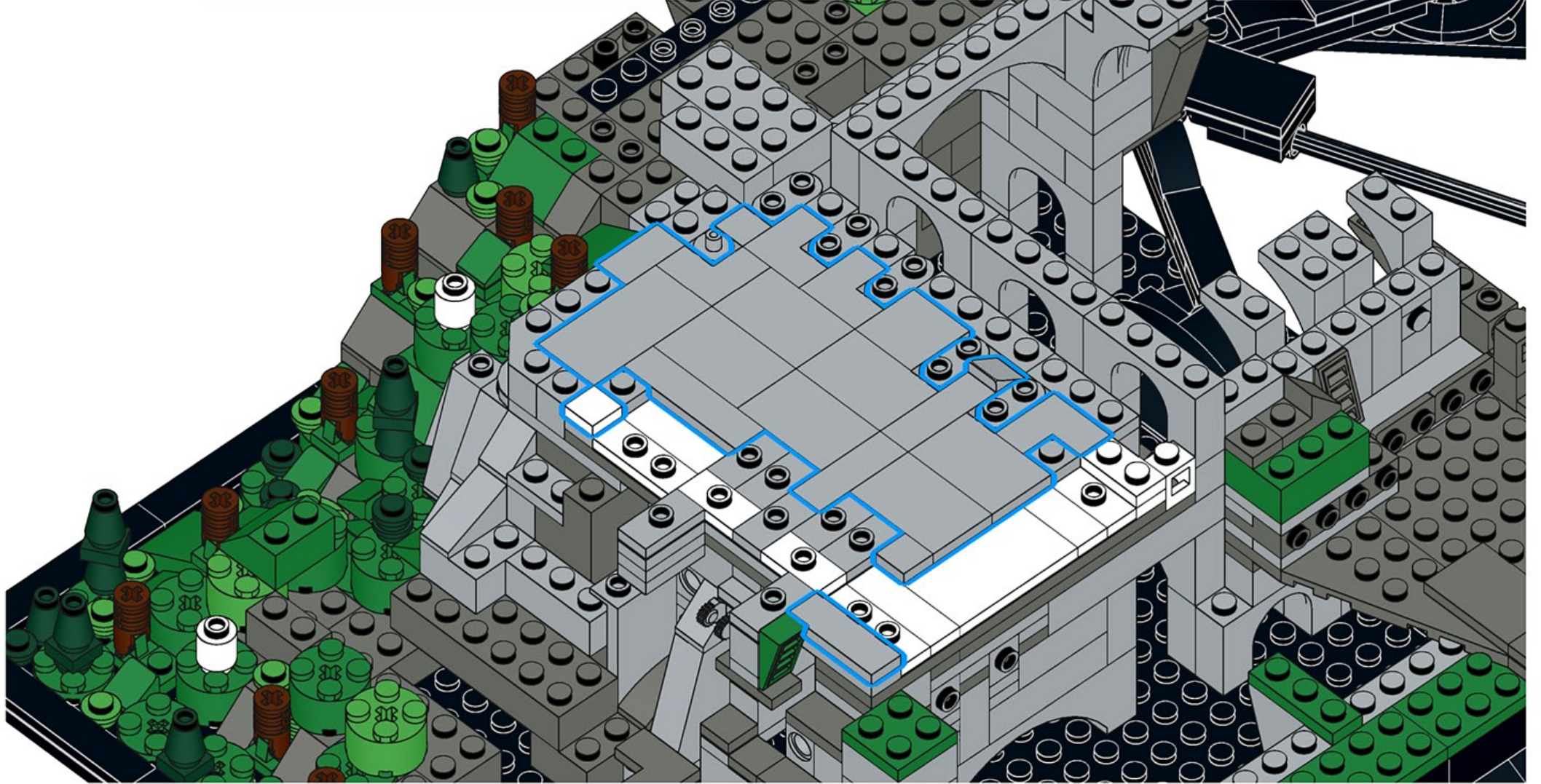
1x





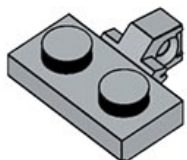
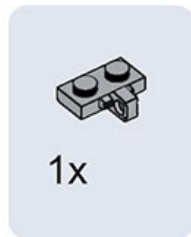
# 120

1x	2x	1x	1x	1x	4x	3x	1x	6x	1x

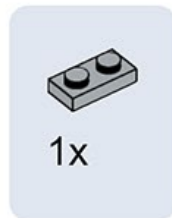




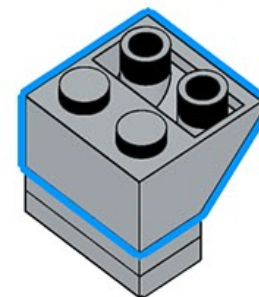
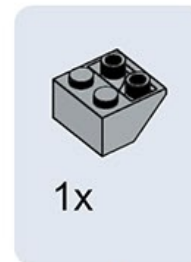
# 121



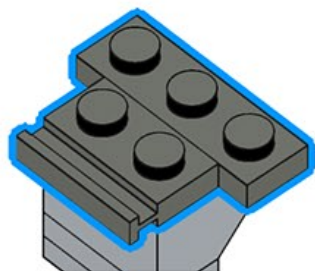
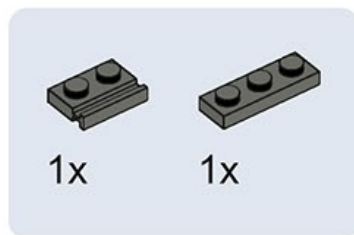
# 122



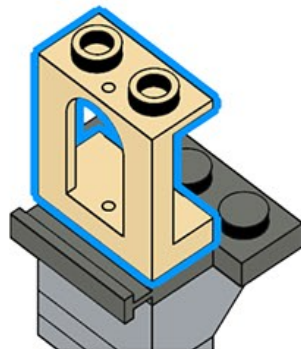
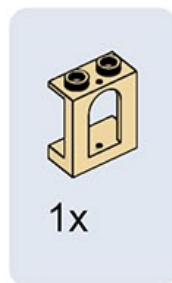
# 123



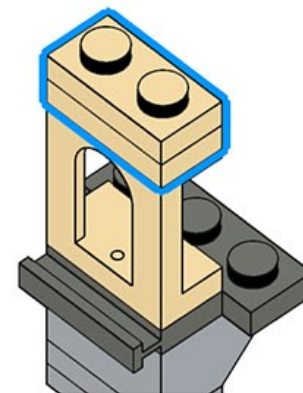
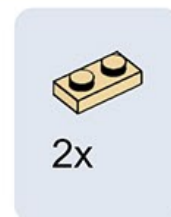
# 124



# 125

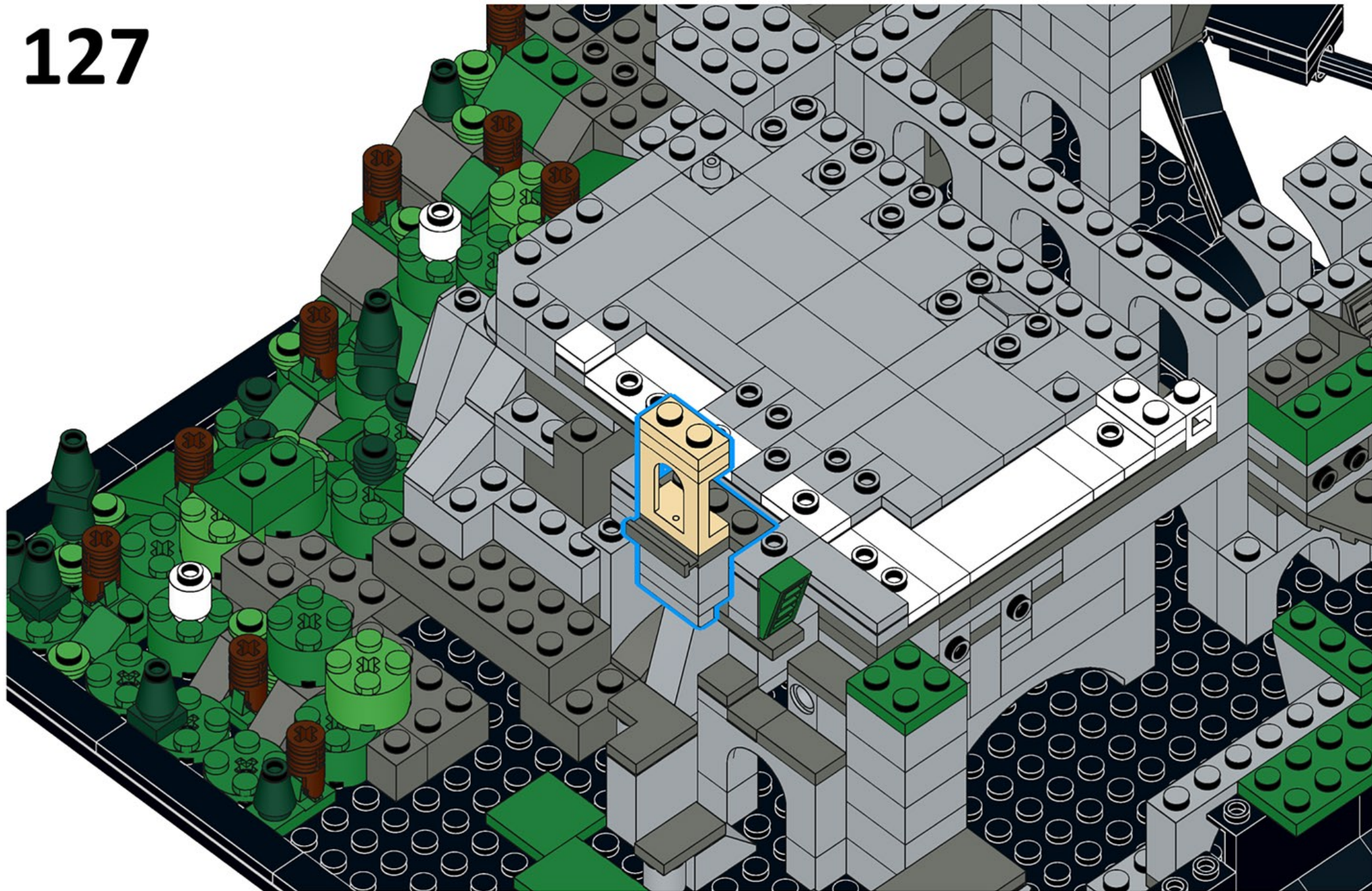


# 126










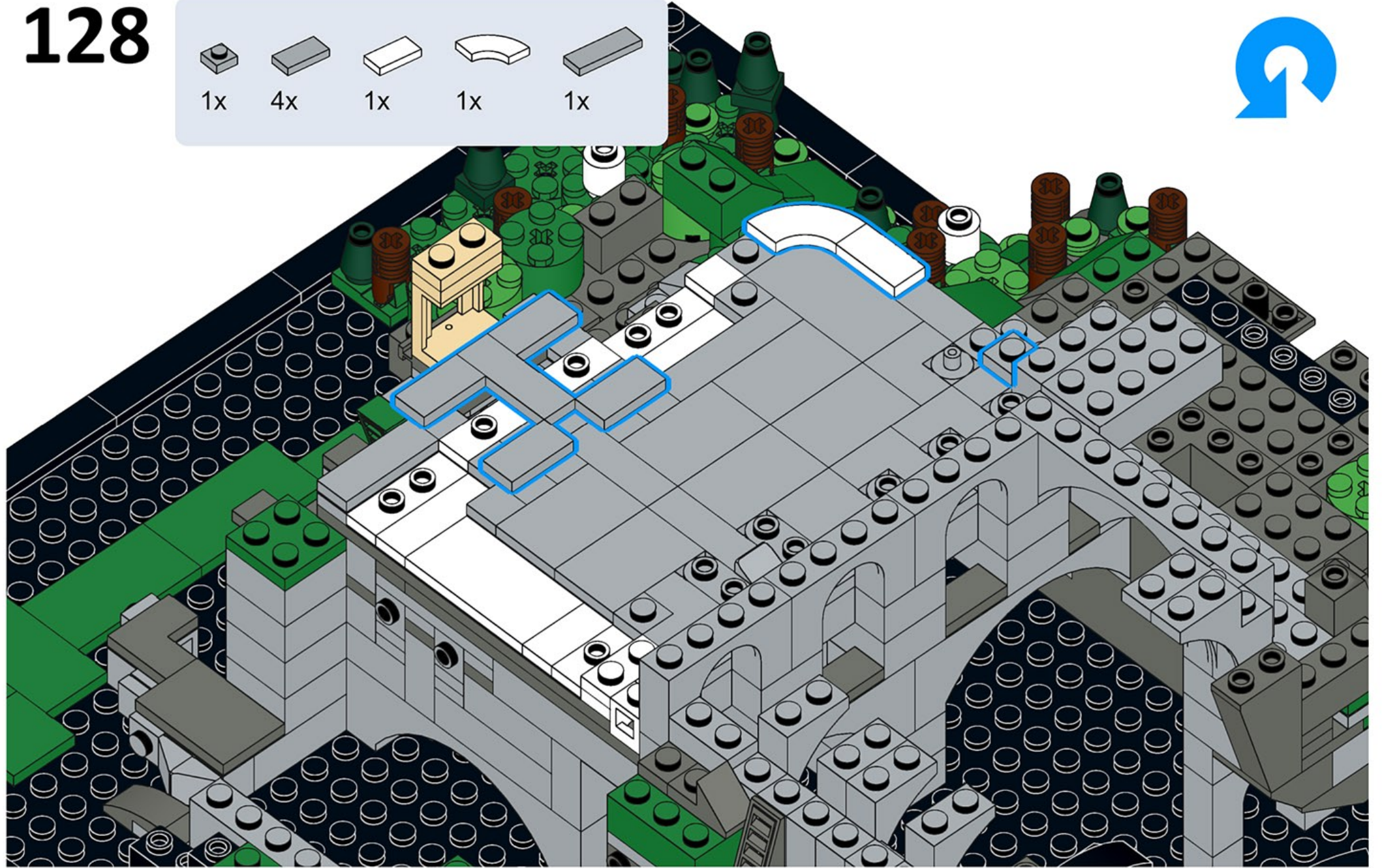
127










# 128

				
1x	4x	1x	1x	1x




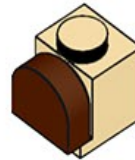


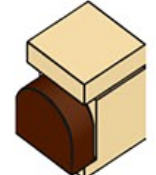
# 129


-  2x
-  1x
-  5x
-  1x
-  1x

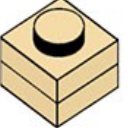



**1** 

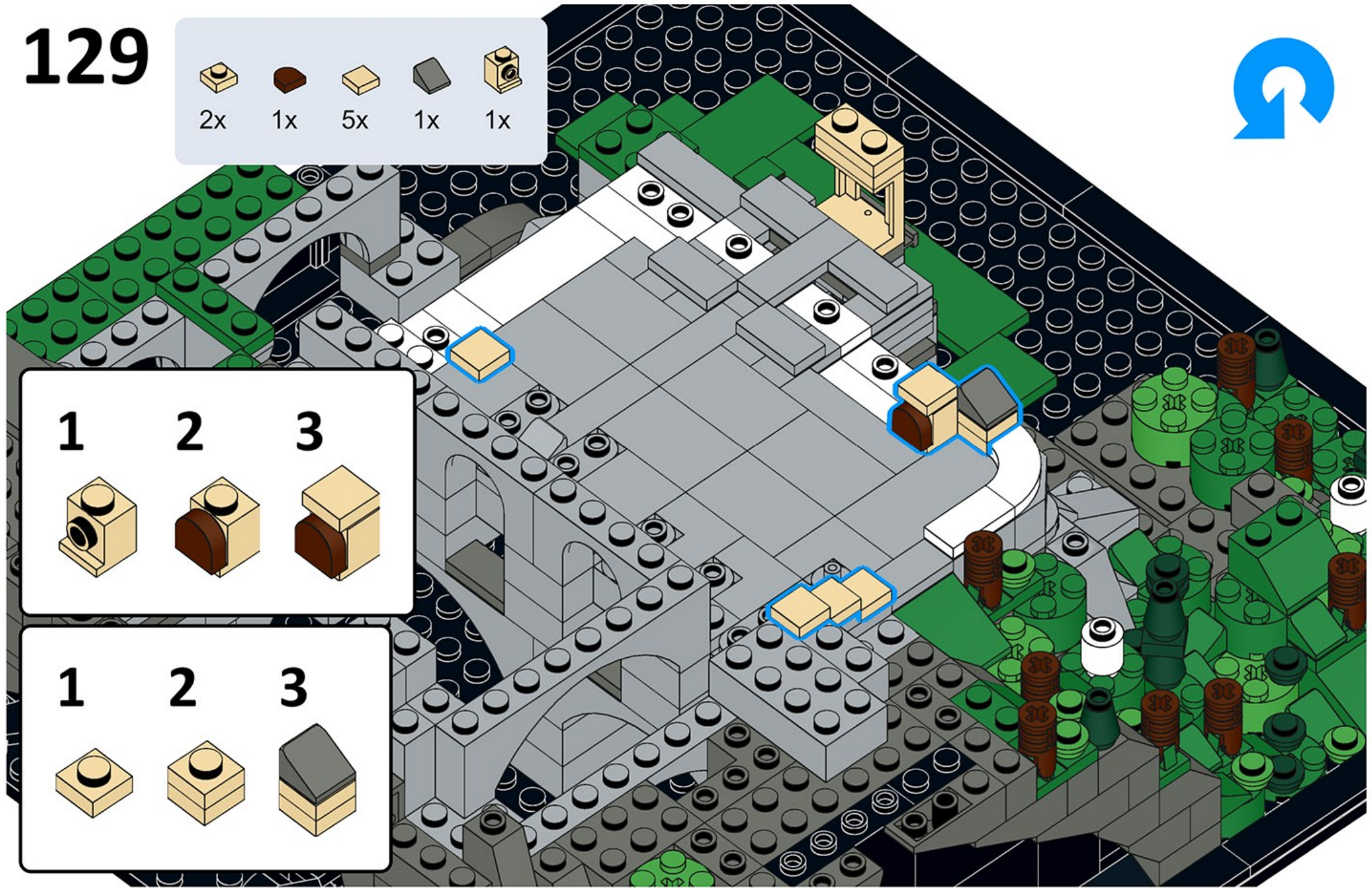
**2** 

**3** 

**1** 

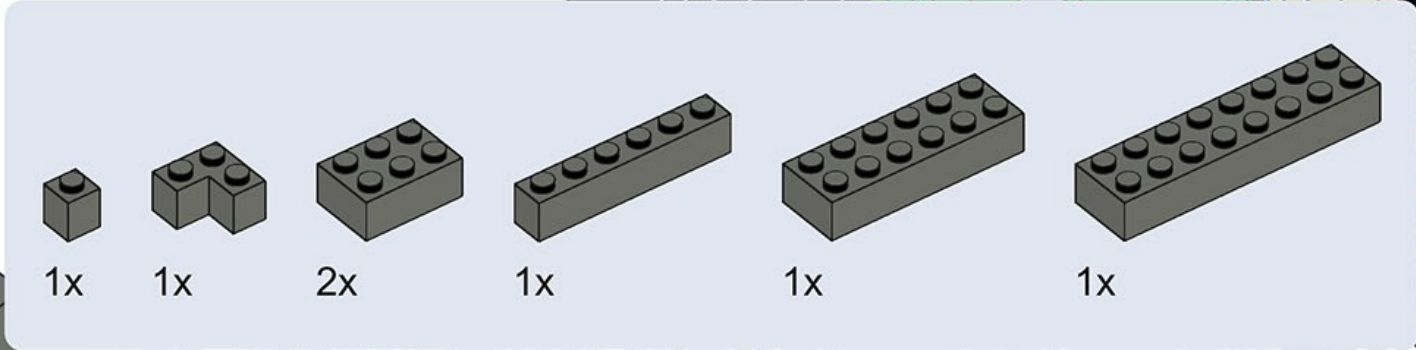
**2** 

**3** 



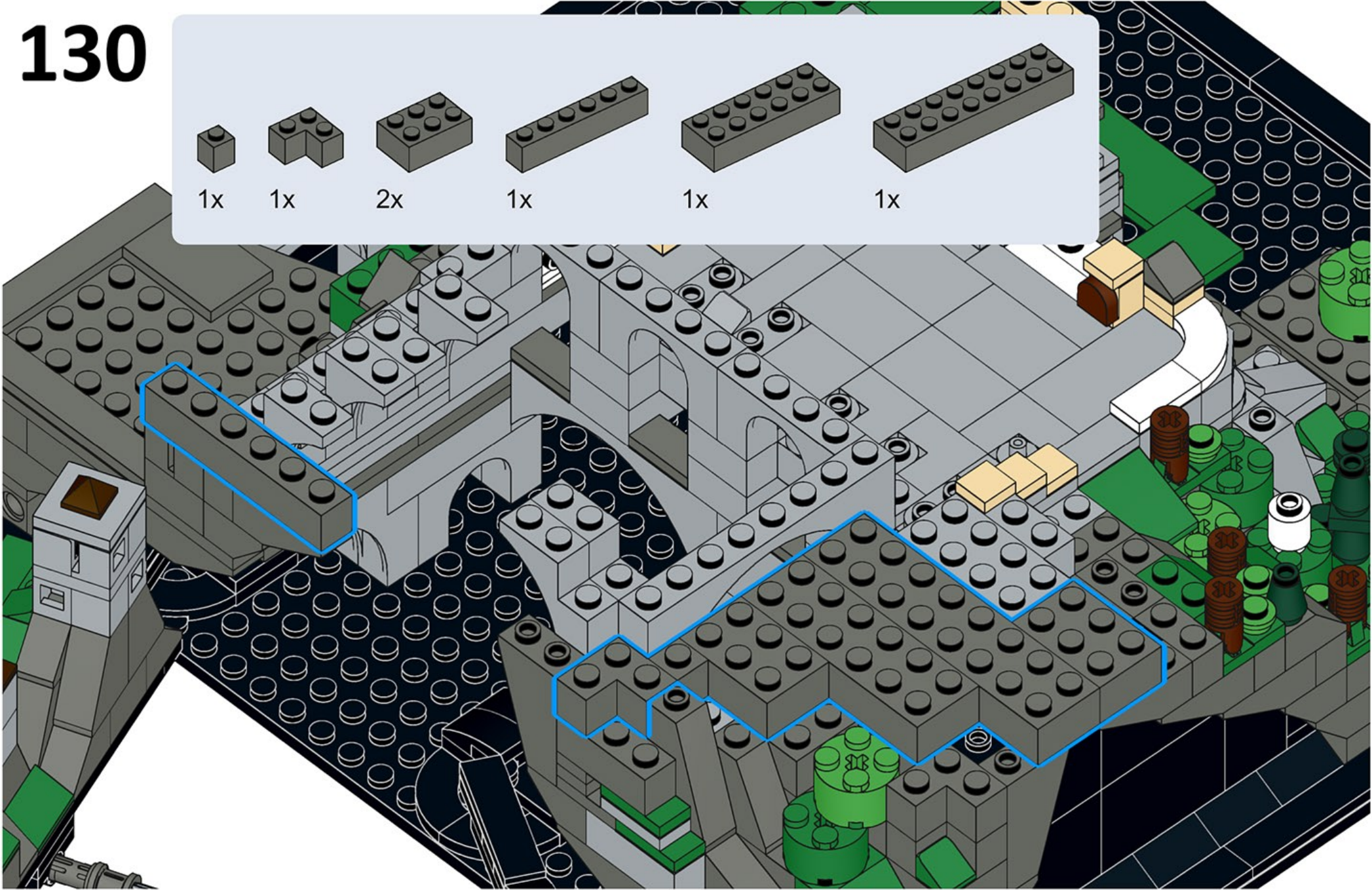


# 130








1x 1x 2x 1x 1x 1x

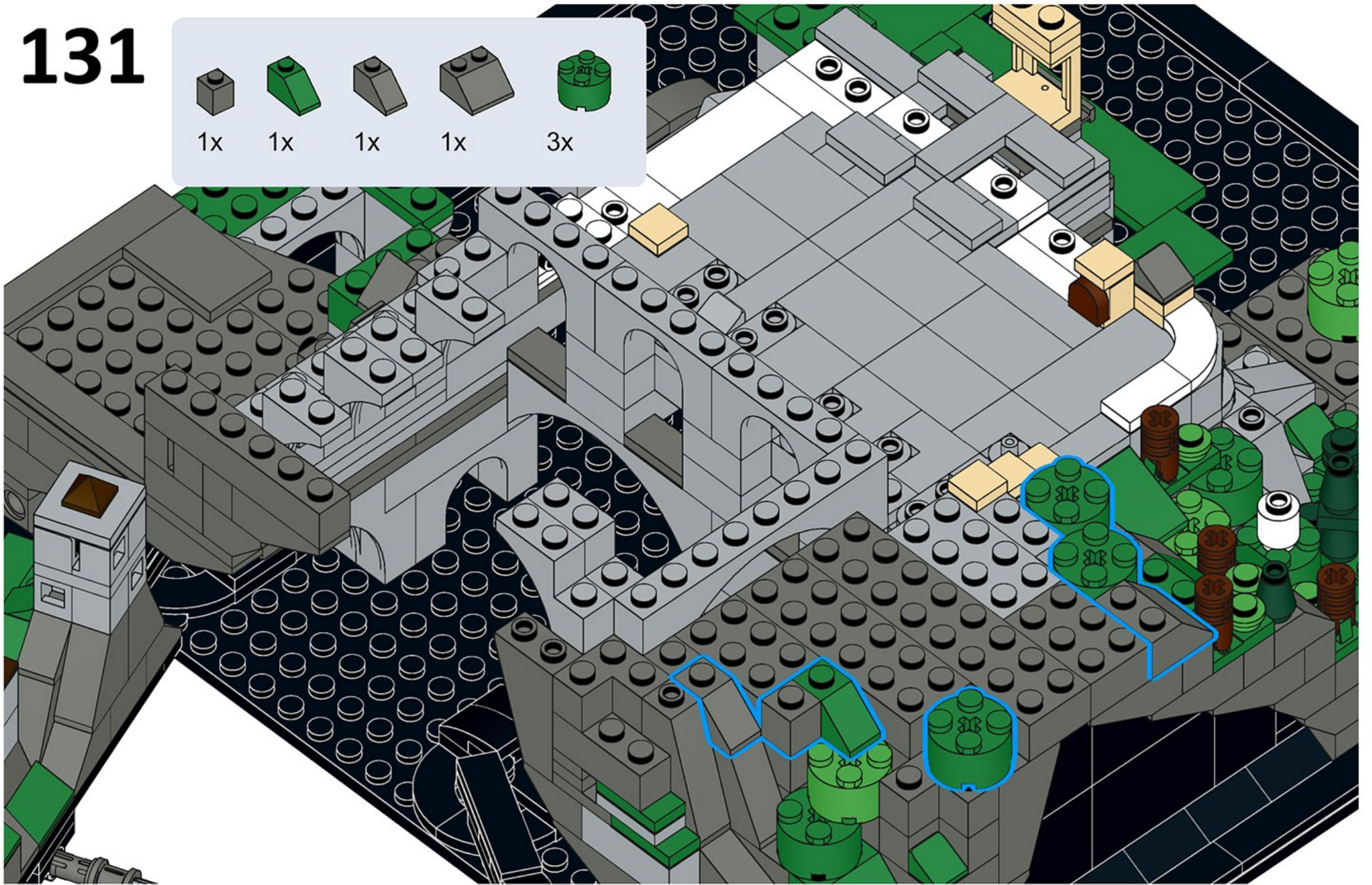
This block contains a list of six grey LEGO parts with their respective quantities: a 1x1 square, a 1x2 L-shaped piece, a 1x3 rectangular piece, a 1x5 rectangular piece, a 1x6 rectangular piece, and a 1x7 rectangular piece.







# 131

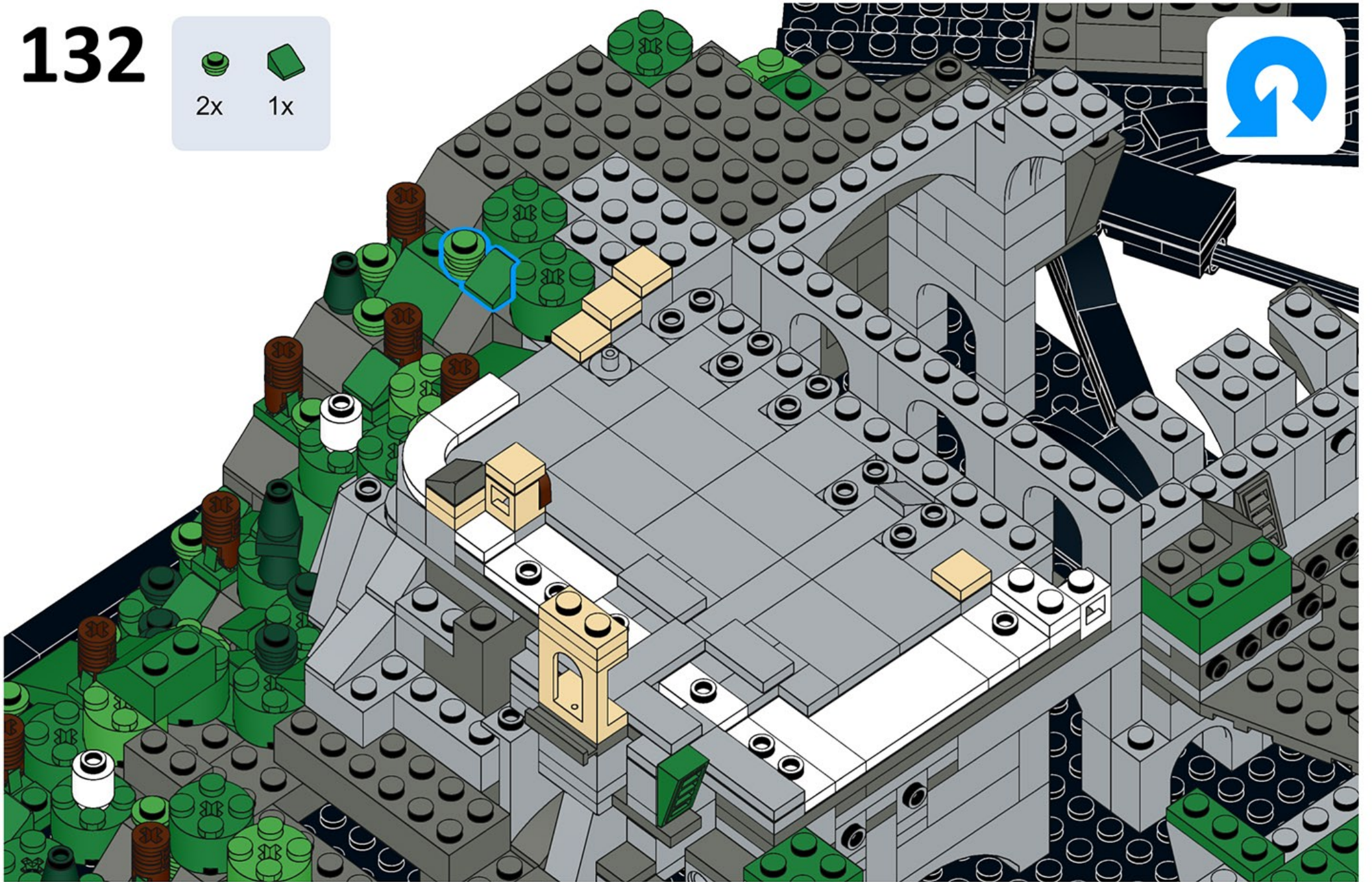
				
1x	1x	1x	1x	3x





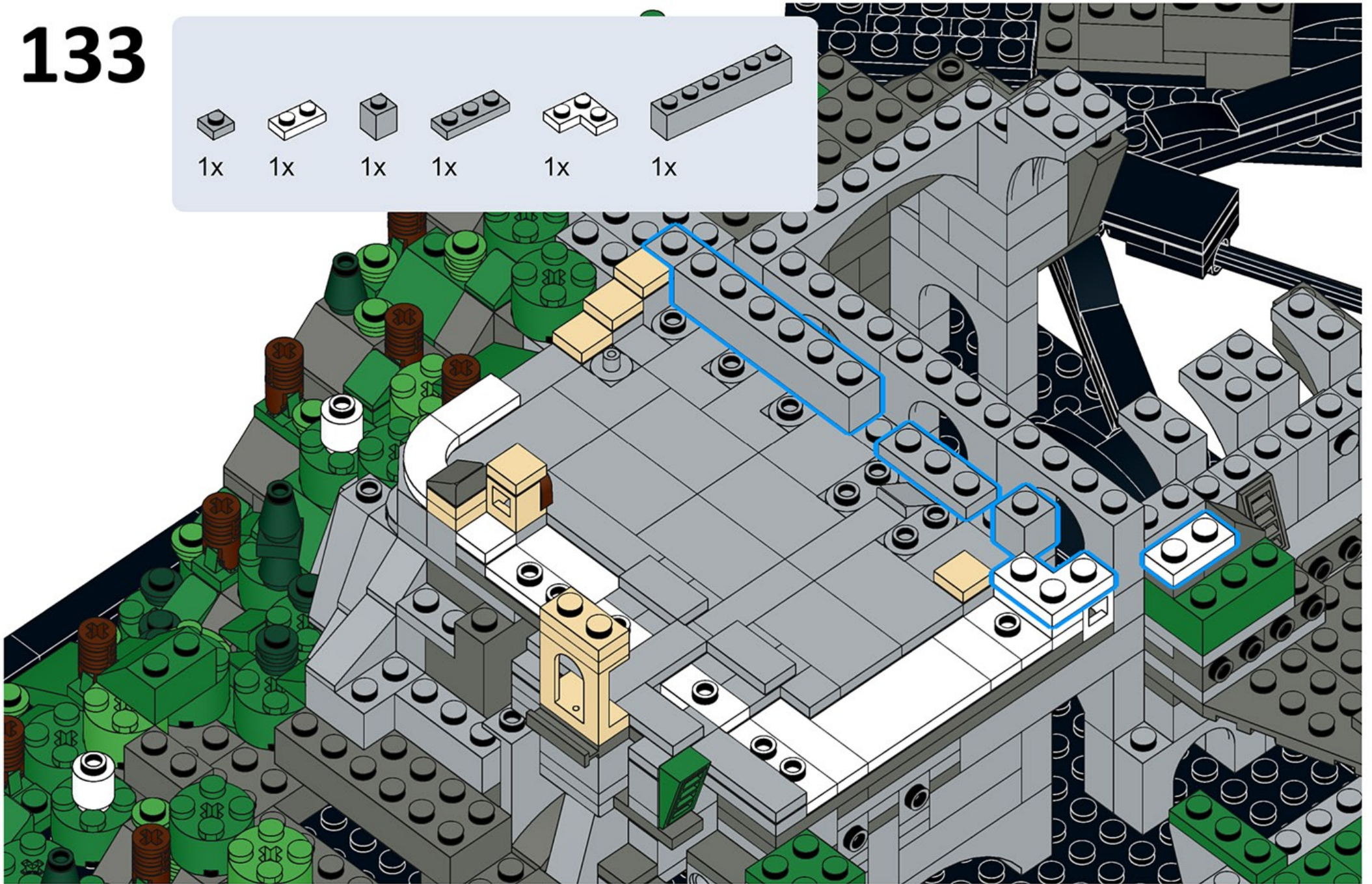
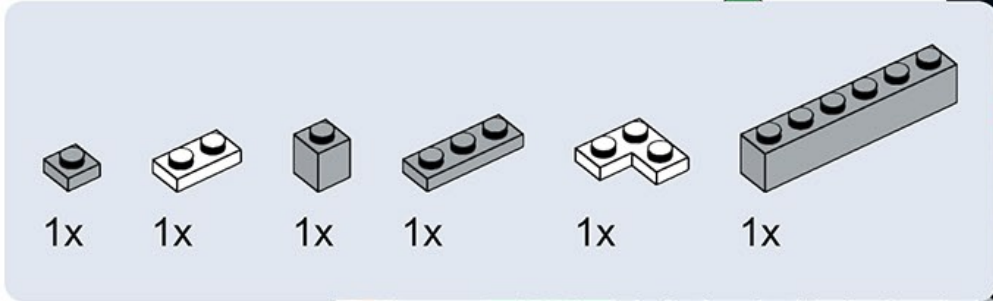
# 132

	
2x	1x





# 133





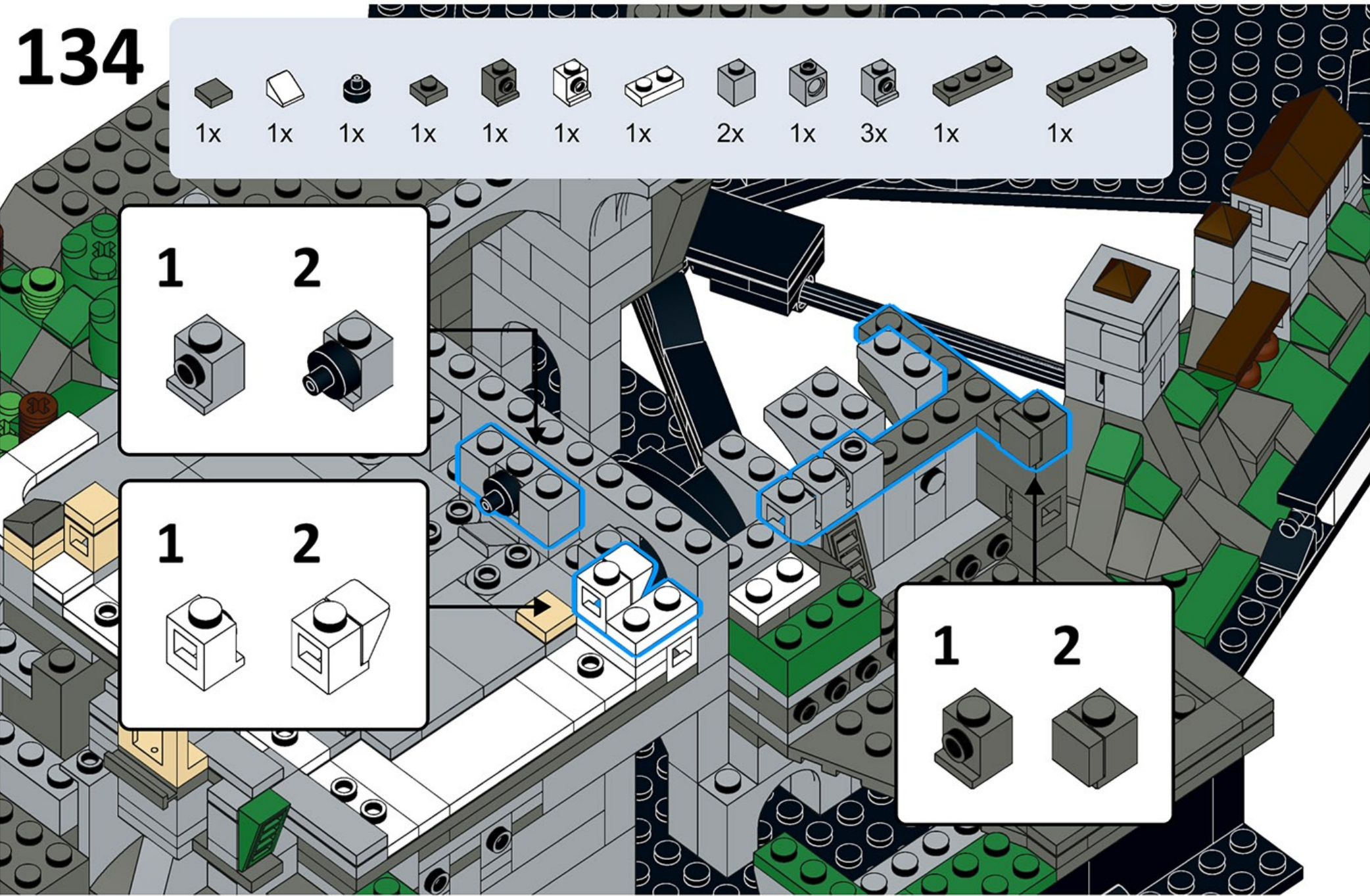
# 134

- 1x [1x 1x grey 1-hole Technic brick]
- 1x [1x 1x white 1-hole Technic brick]
- 1x [1x 1x black 1-hole Technic axle pin]
- 1x [1x 1x grey 1-hole Technic brick]
- 1x [1x 1x grey 1-hole Technic brick with hole]
- 1x [1x 1x white 1-hole Technic brick with hole]
- 1x [1x 1x 2-hole grey Technic Technic brick]
- 2x [1x 1x grey 1-hole Technic brick]
- 1x [1x 1x grey 1-hole Technic brick with hole]
- 3x [1x 1x grey 1-hole Technic brick with hole]
- 1x [1x 1x 2-hole grey Technic Technic brick]
- 1x [1x 1x 3-hole grey Technic Technic brick]

1 2

1 2

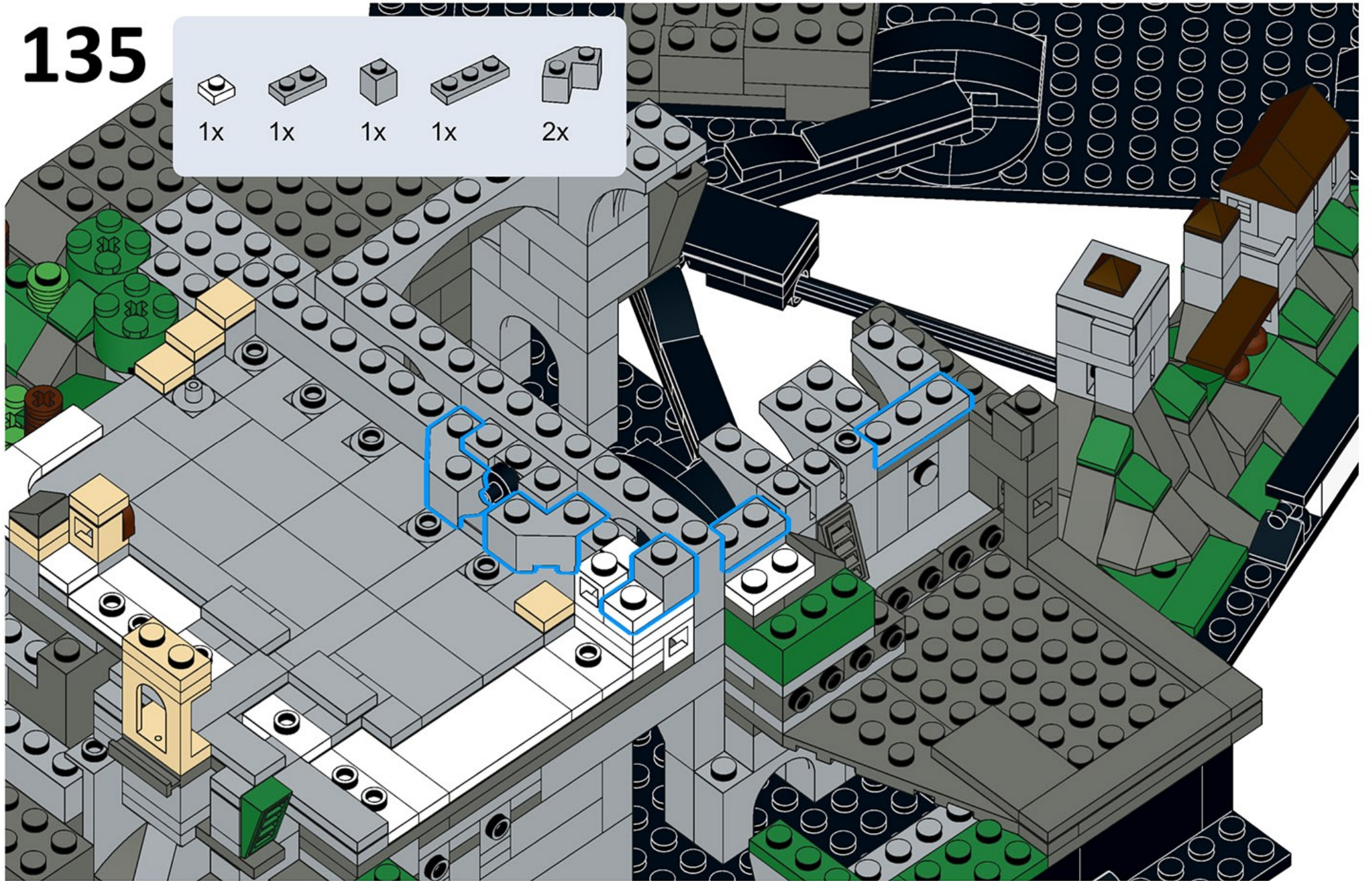
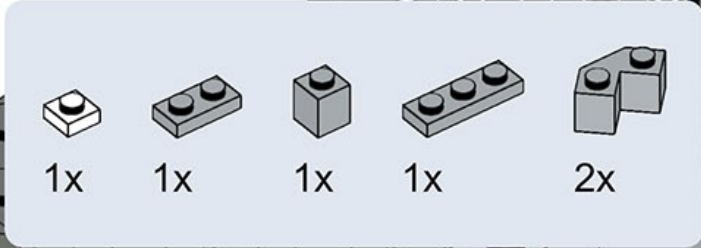
1 2







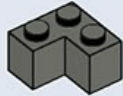
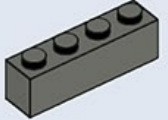
# 135

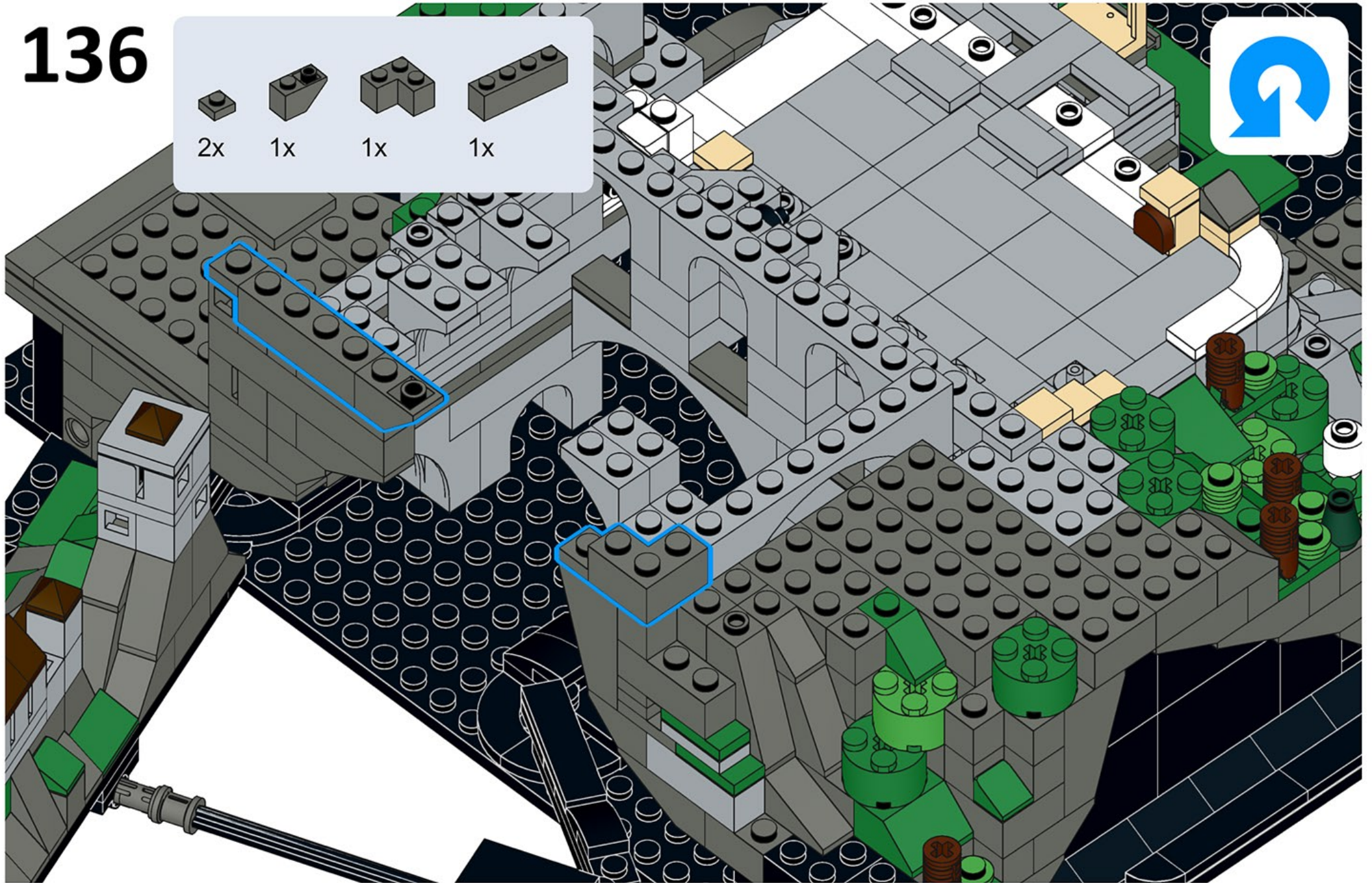
1x 1x 1x 1x 2x





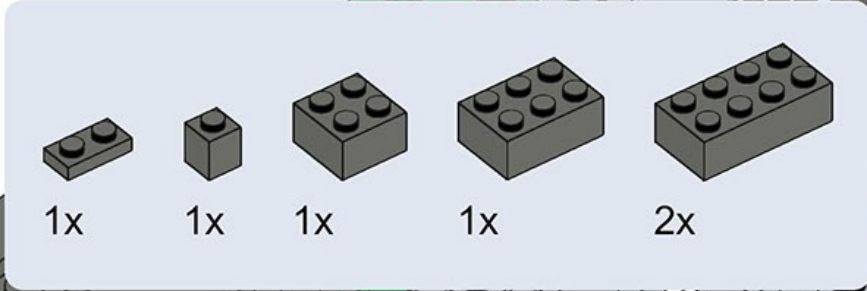
# 136

			
2x	1x	1x	1x



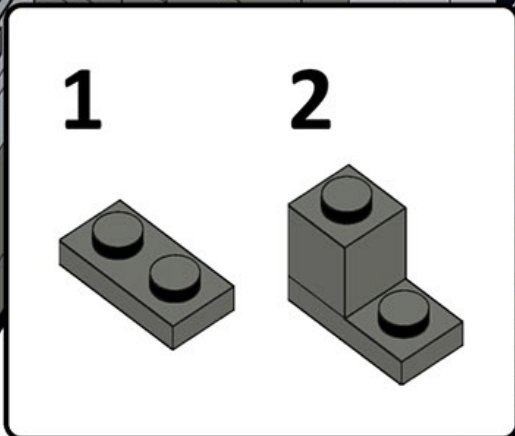


# 137



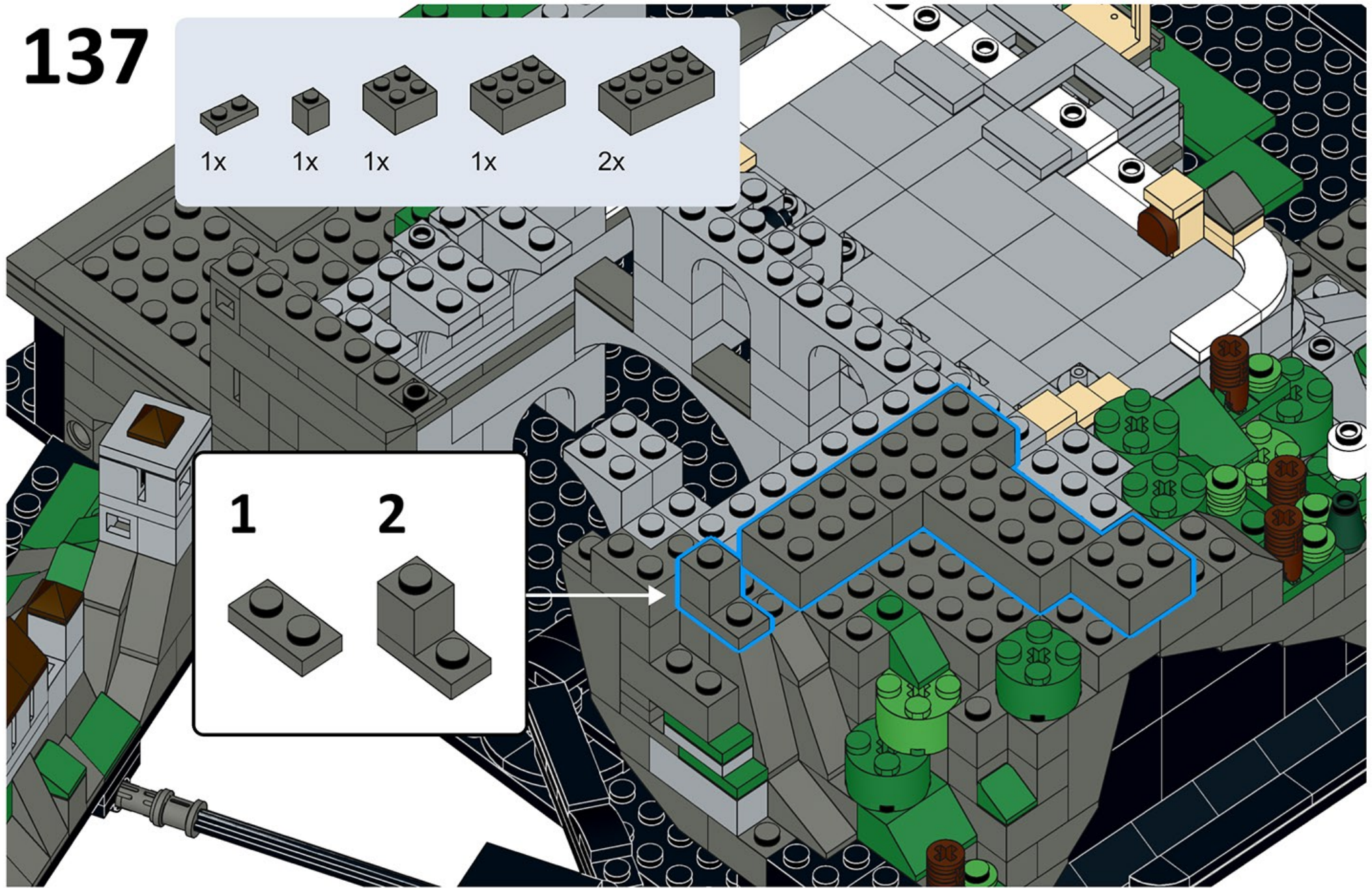
1x 1x 1x 1x 2x

This block lists the required parts for step 137. It shows five types of grey Technic bricks: a 1x2 brick, a 1x3 brick, a 1x4 brick, a 1x6 brick, and a 1x8 brick. Below each brick is its quantity: 1x, 1x, 1x, 1x, and 2x respectively.



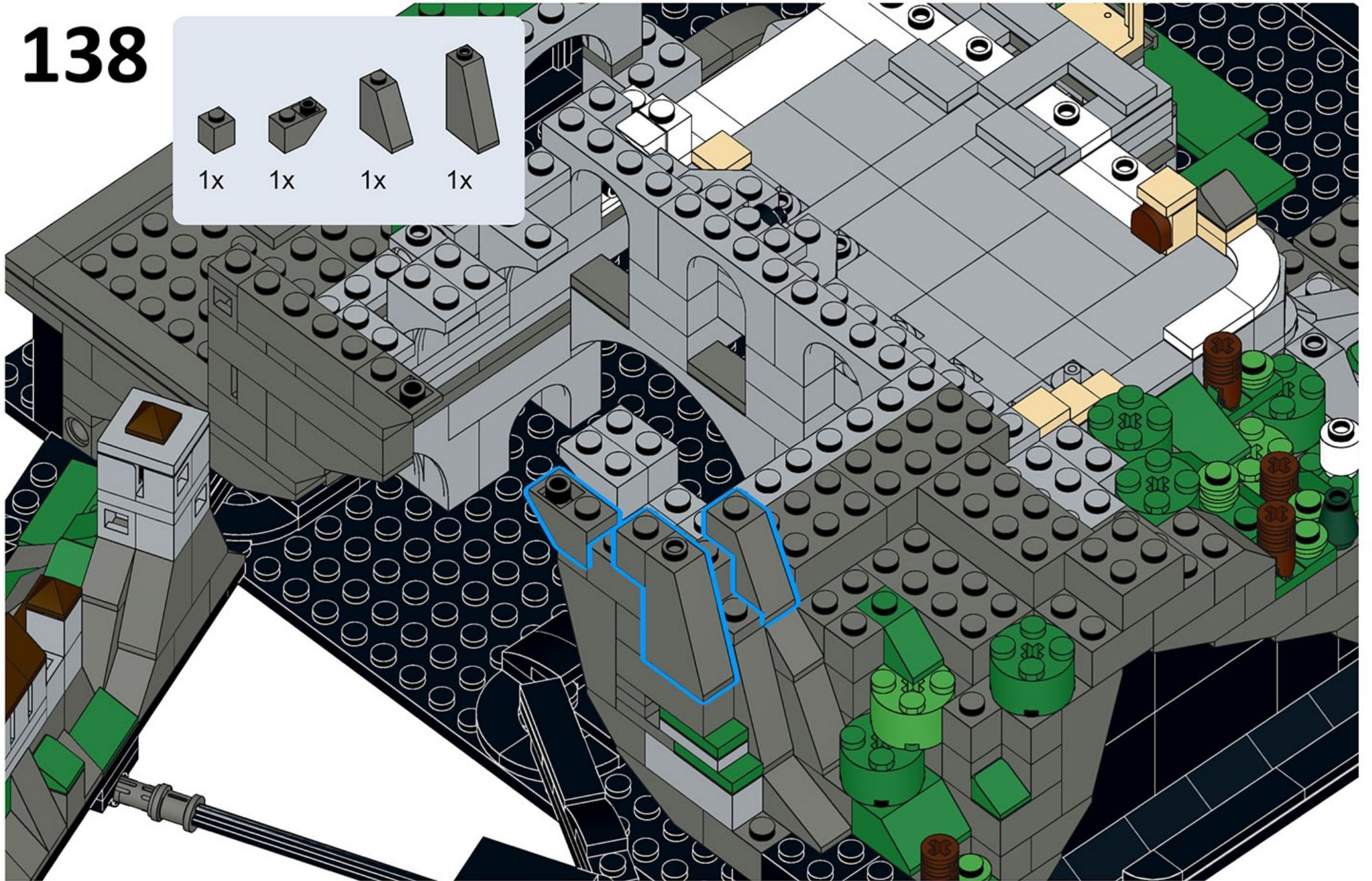
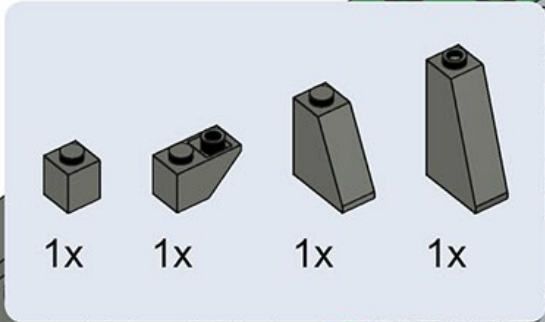
1 2

This diagram shows the assembly sequence for step 137. It consists of two numbered steps: 1 shows a grey 1x2 brick, and 2 shows a grey 1x3 brick being attached to the 1x2 brick. A white arrow points from this diagram to the corresponding location on the main assembly.









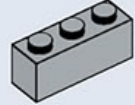


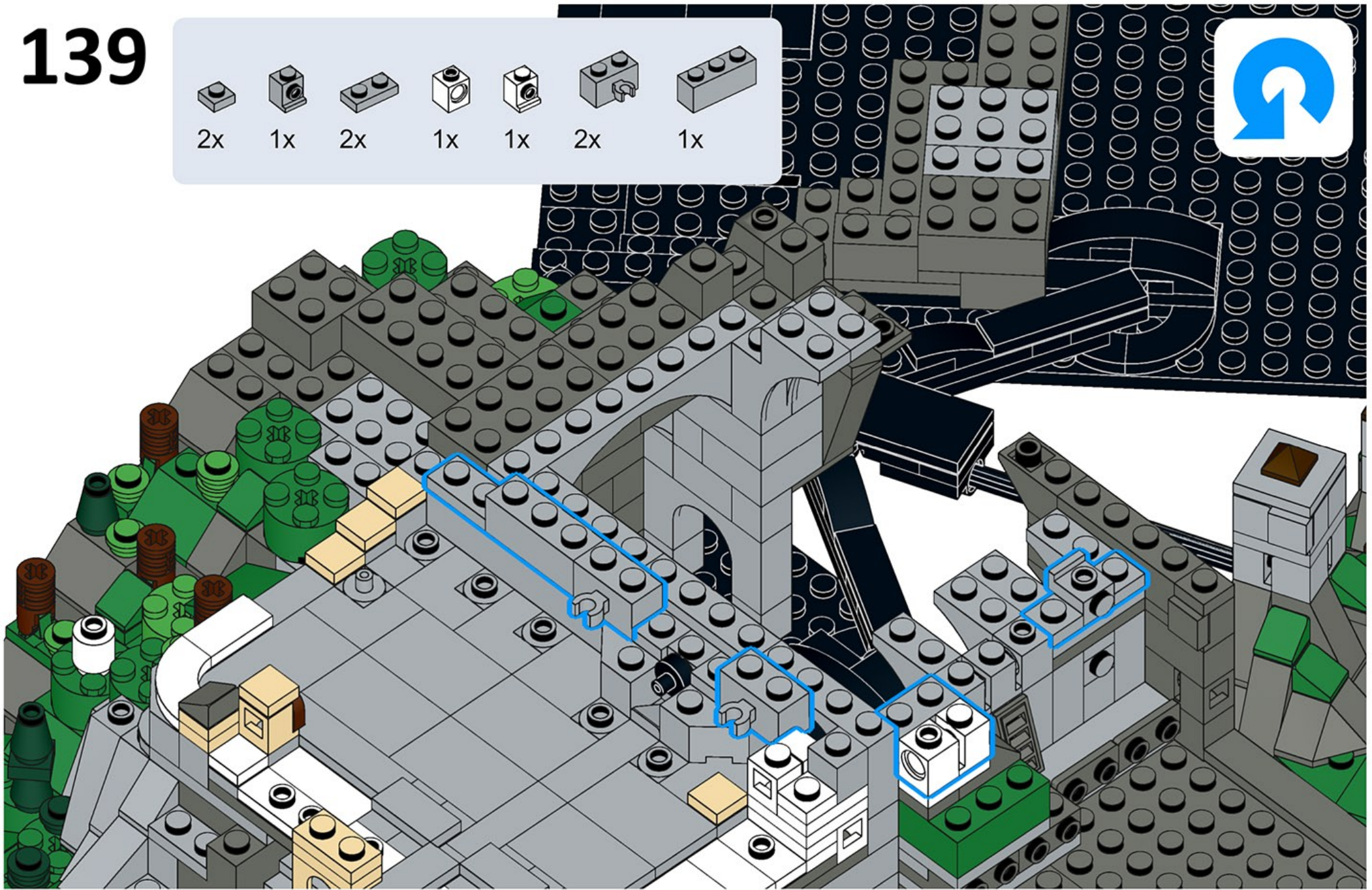
# 138





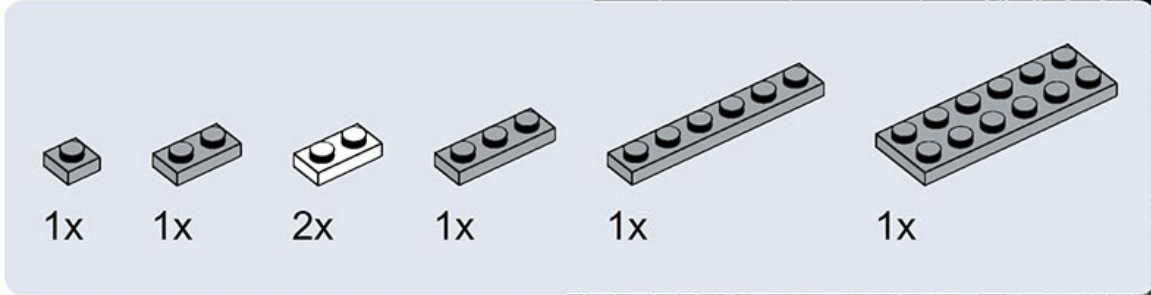
# 139

						
2x	1x	2x	1x	1x	2x	1x



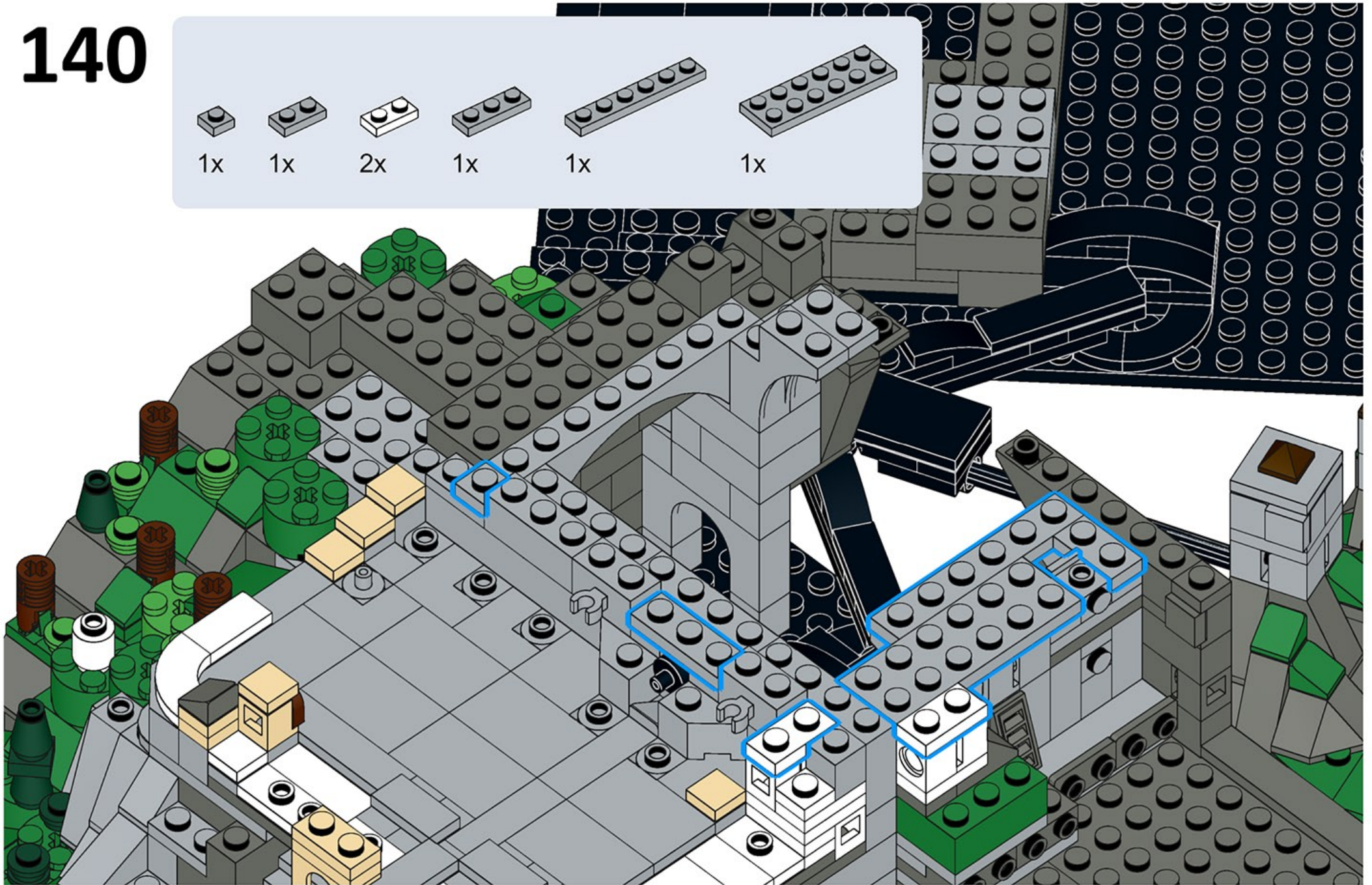


# 140







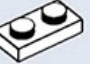





1x 1x 2x 1x 1x 1x

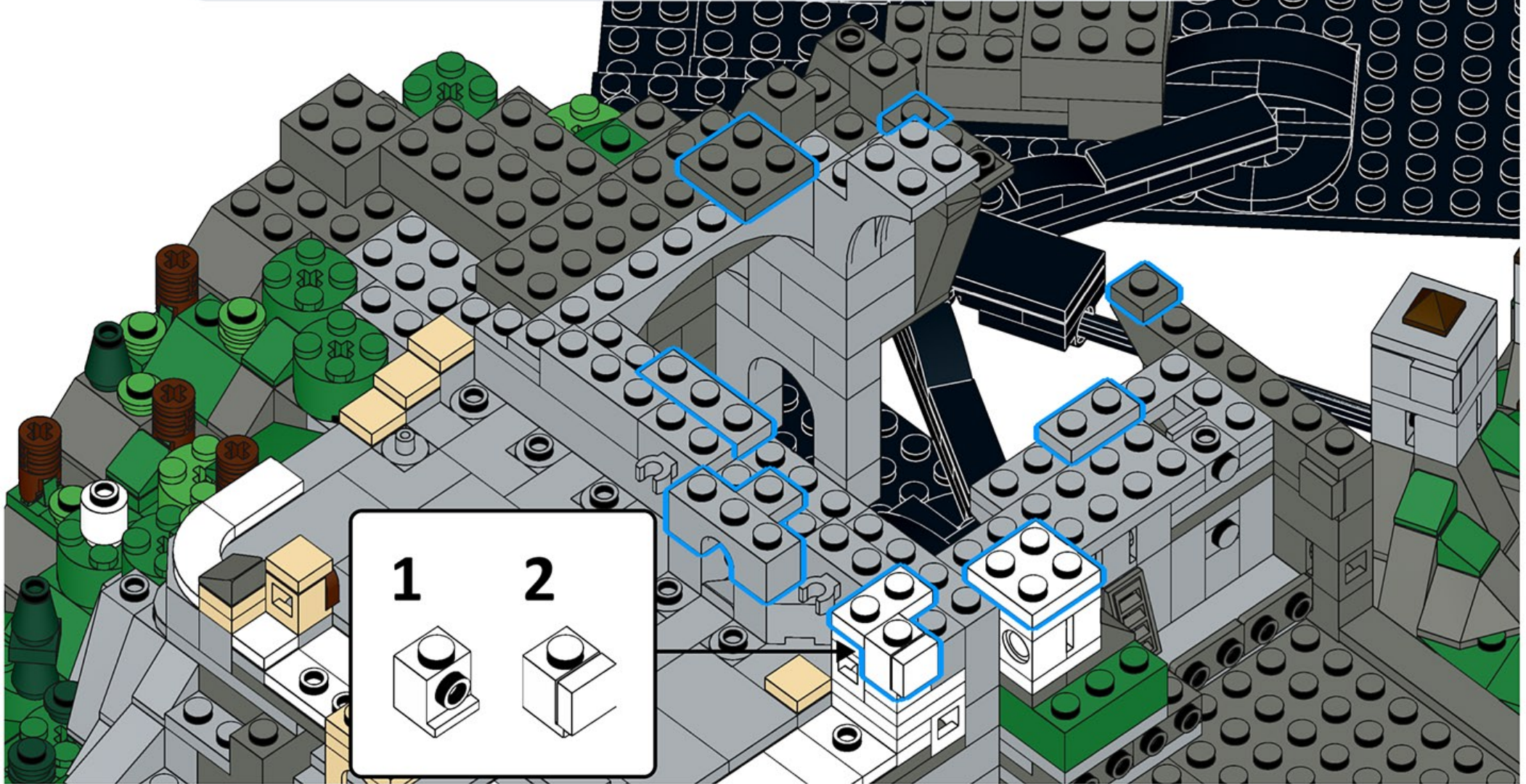
This block contains a list of six LEGO parts with their respective quantities. From left to right: a 1x1 white brick with a hole (1x), a 1x2 grey brick with a hole (1x), a 1x2 white brick with a hole (2x), a 1x3 grey brick with a hole (1x), a 1x5 grey brick with a hole (1x), and a 1x6 grey brick with a hole (1x).





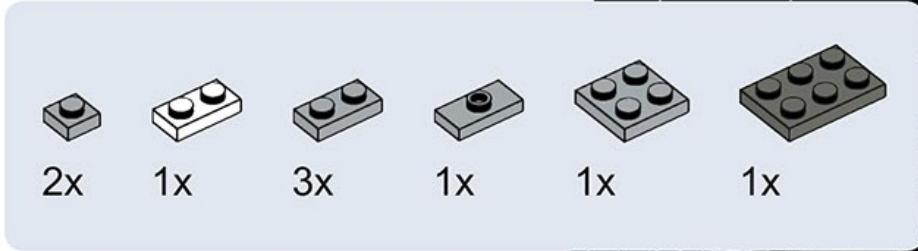
# 141

- 1x 
- 2x 
- 1x 
- 1x 
- 1x 
- 1x 
- 1x 
- 1x 
- 1x 
- 1x 



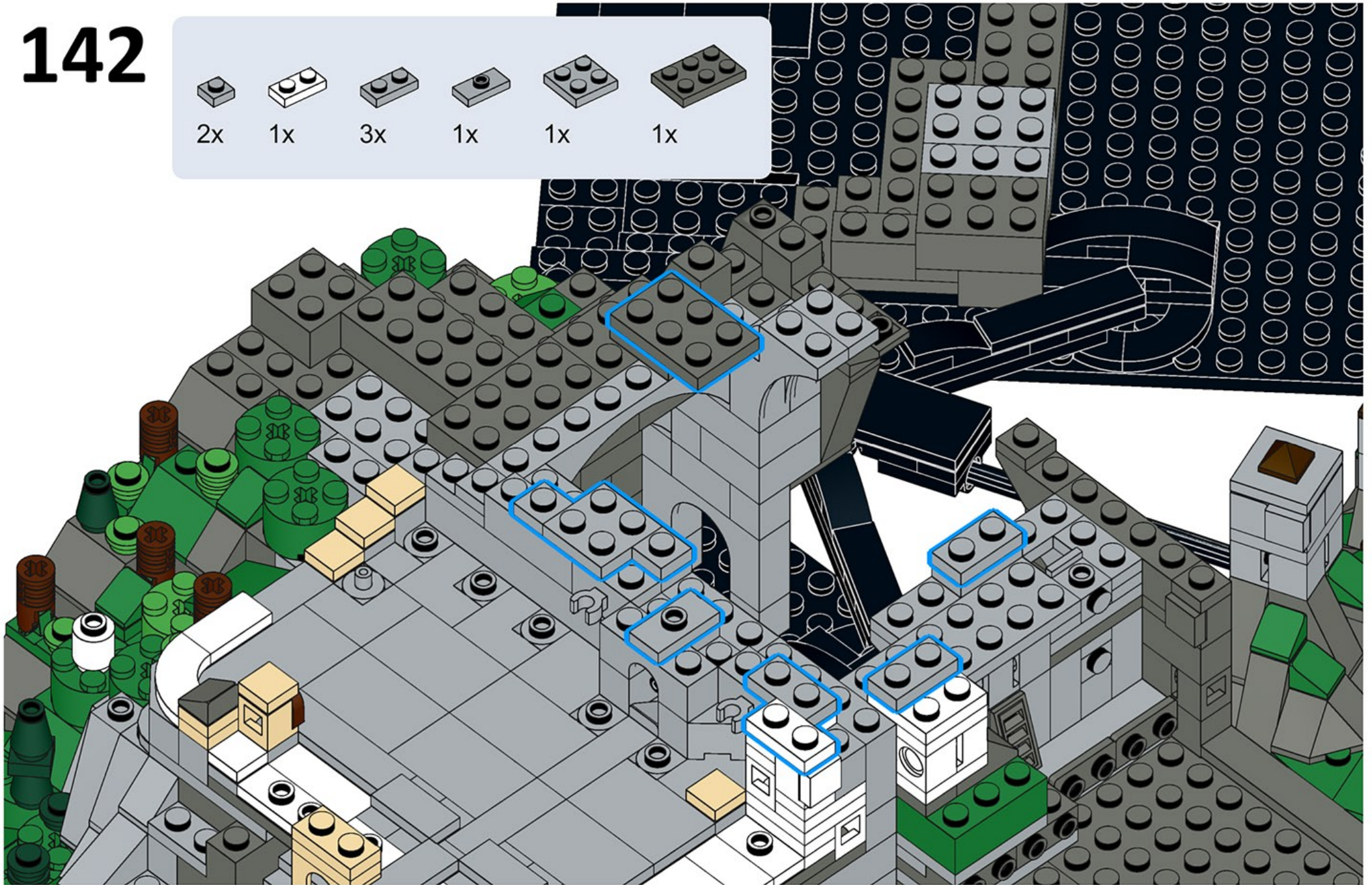


# 142









2x 1x 3x 1x 1x 1x

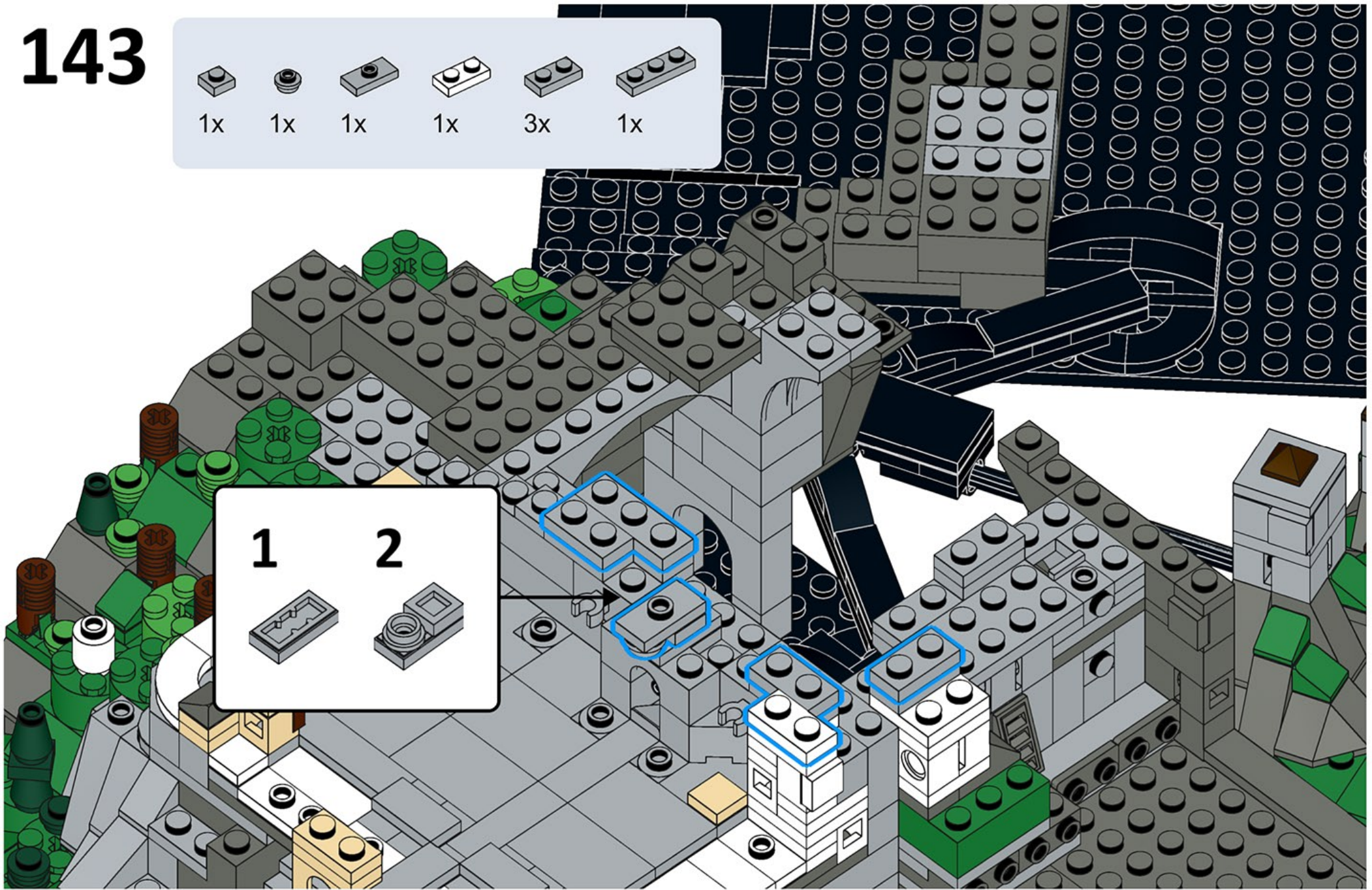
This block contains a list of six LEGO parts with their respective quantities. From left to right: a grey 1x1 Technic pin (2x), a white 1x2 Technic brick with two holes (1x), a grey 1x2 Technic brick with two holes (3x), a grey 1x2 Technic brick with one hole (1x), a grey 1x3 Technic brick with three holes (1x), and a grey 1x4 Technic brick with four holes (1x).







# 143

					
1x	1x	1x	1x	3x	1x



<b>1</b>	<b>2</b>
	



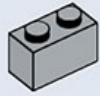
# 144



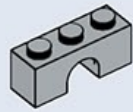
1x



1x



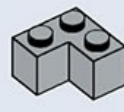
2x



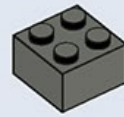
1x



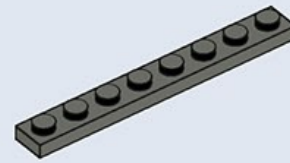
2x



2x



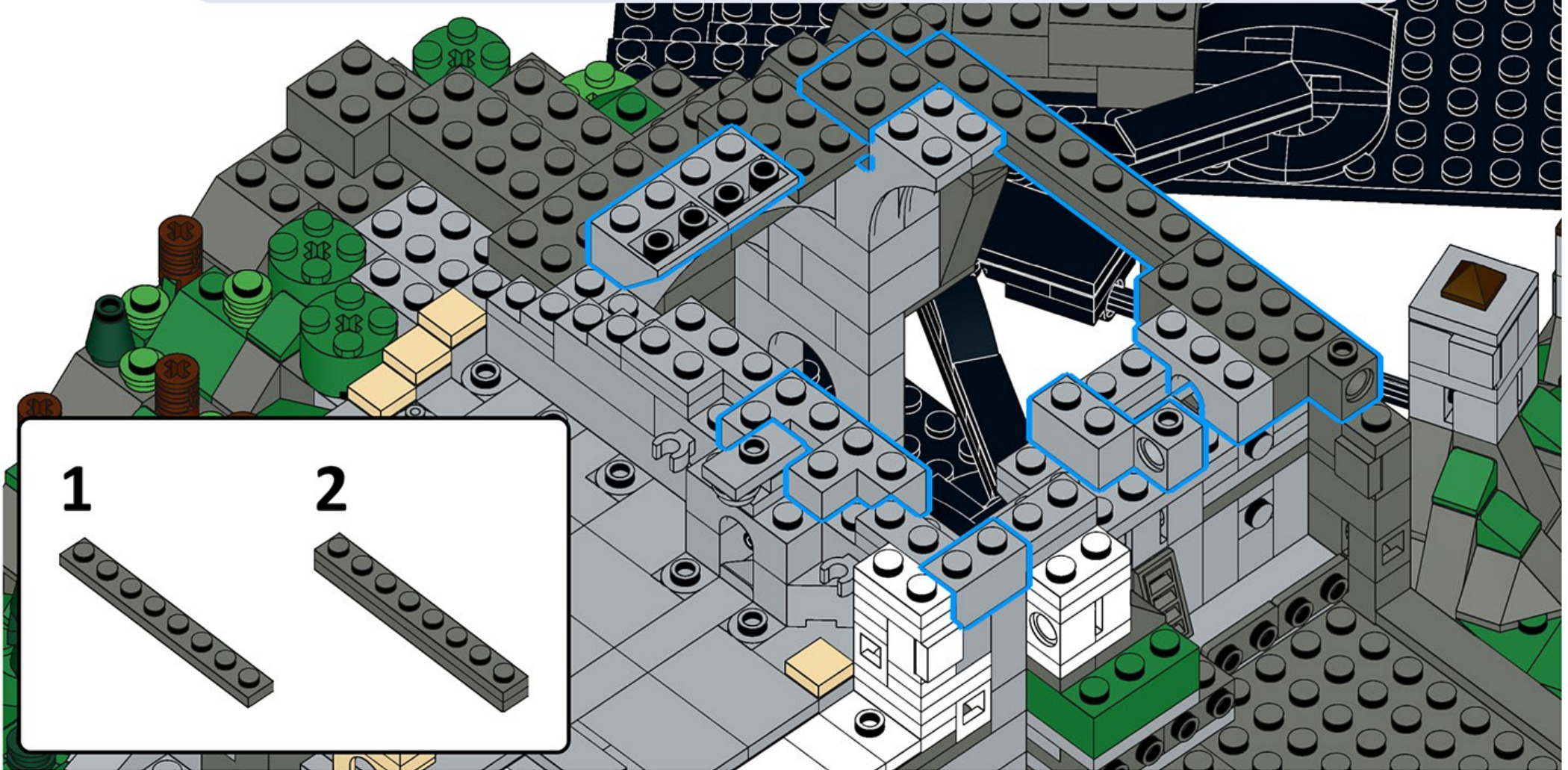
1x



2x



1x



1

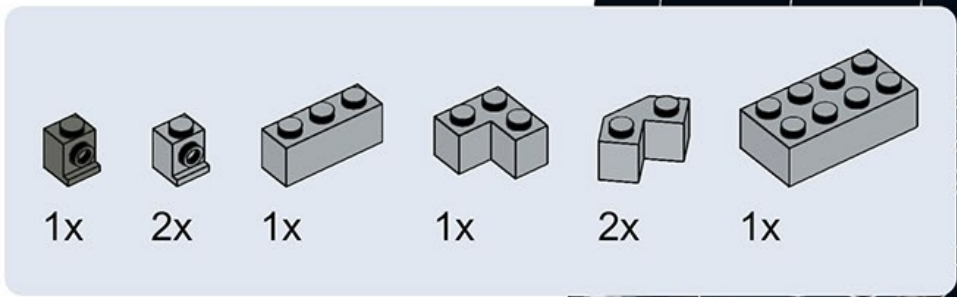


2



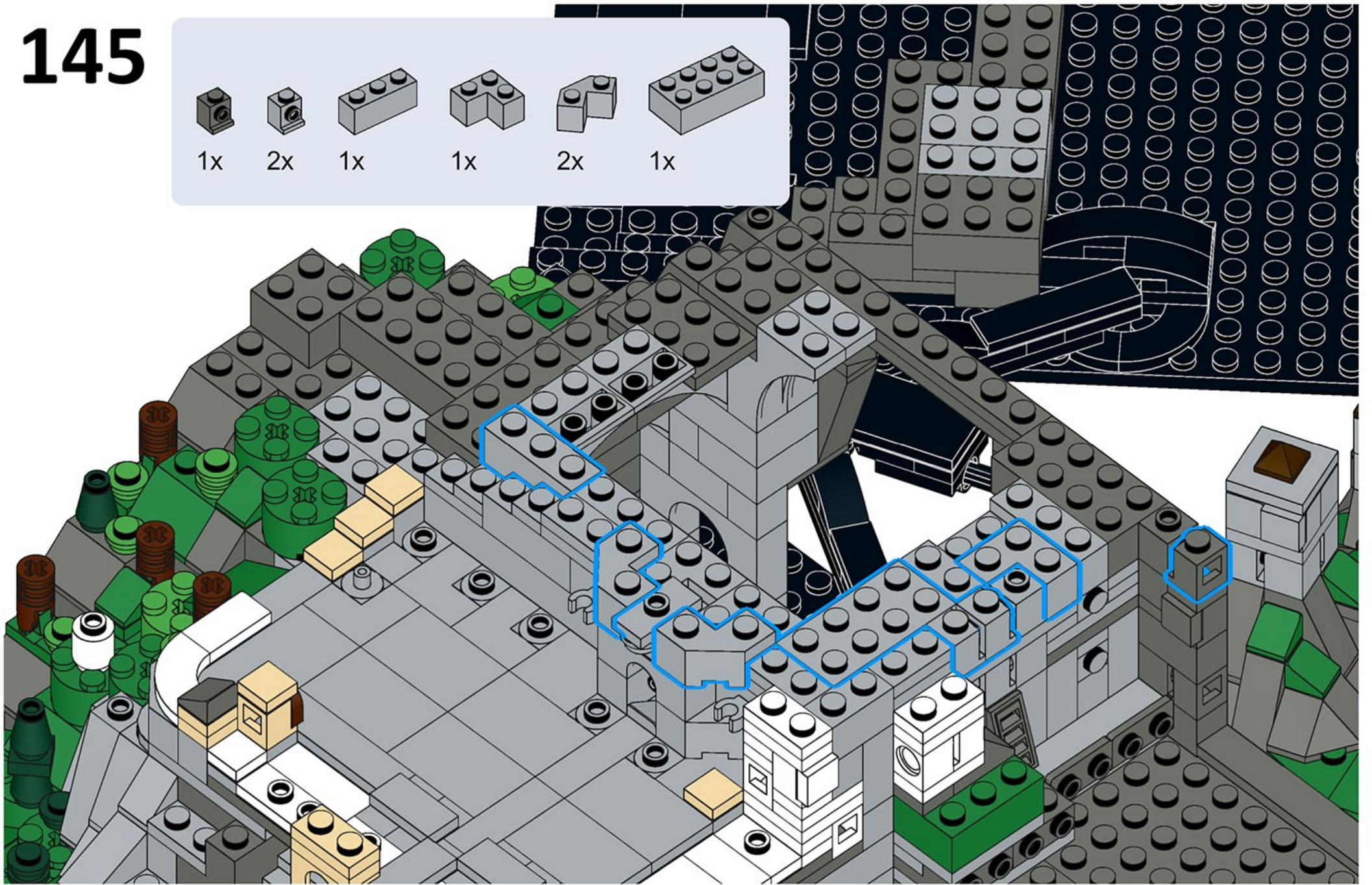


# 145



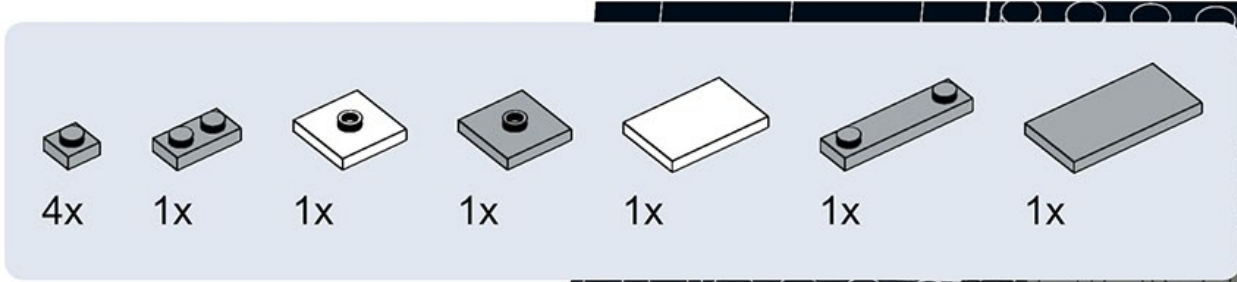
1x 2x 1x 1x 2x 1x

This block contains a list of six LEGO parts with their respective quantities. From left to right: a 1x1 grey Technic brick with a hole (1x), a 1x1 grey Technic brick with a hole (2x), a 1x2 grey Technic brick (1x), a 1x2 grey Technic brick with a hole (1x), a 1x2 grey Technic brick with a hole (2x), and a 1x4 grey Technic brick (1x).



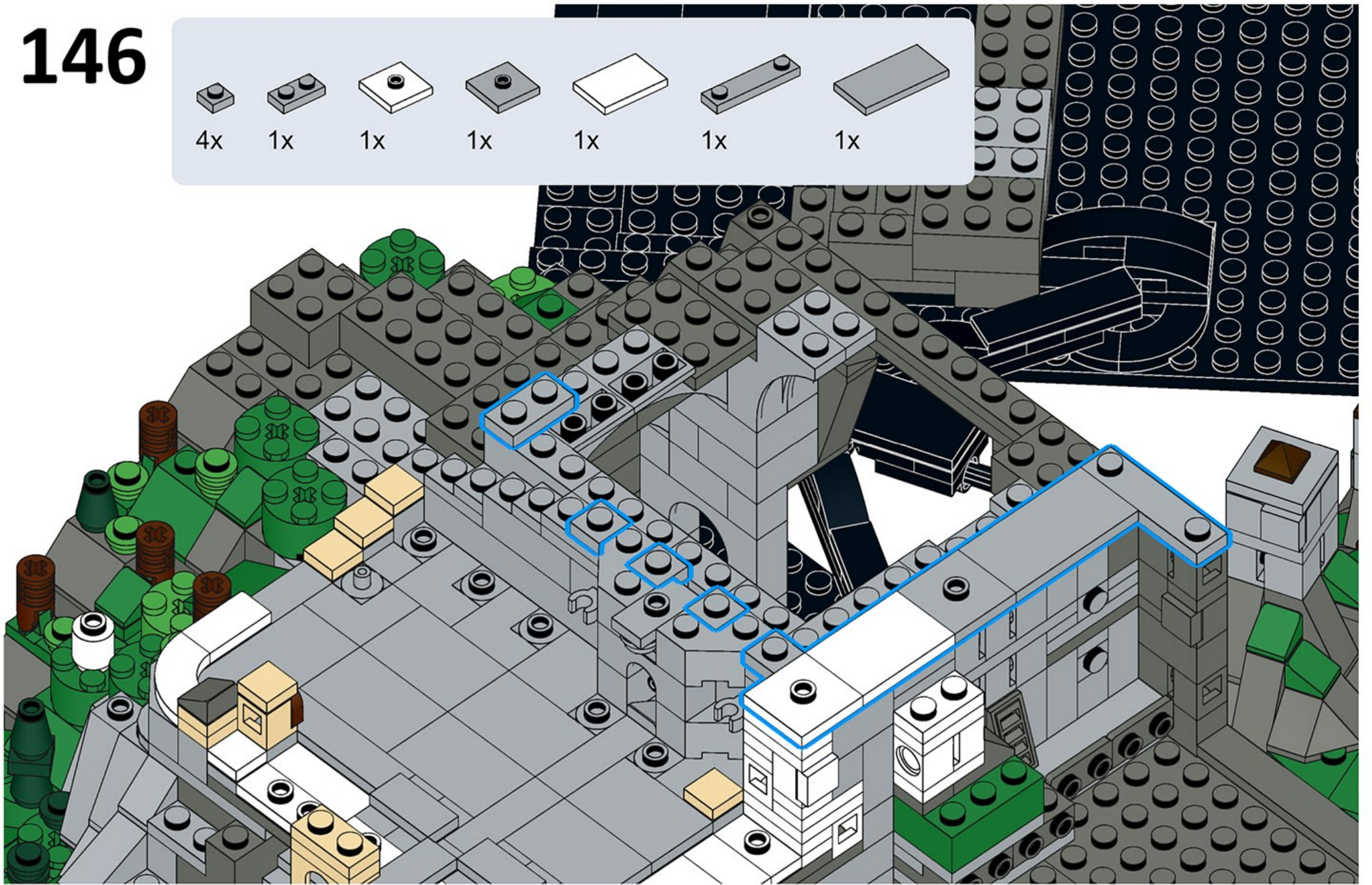


# 146



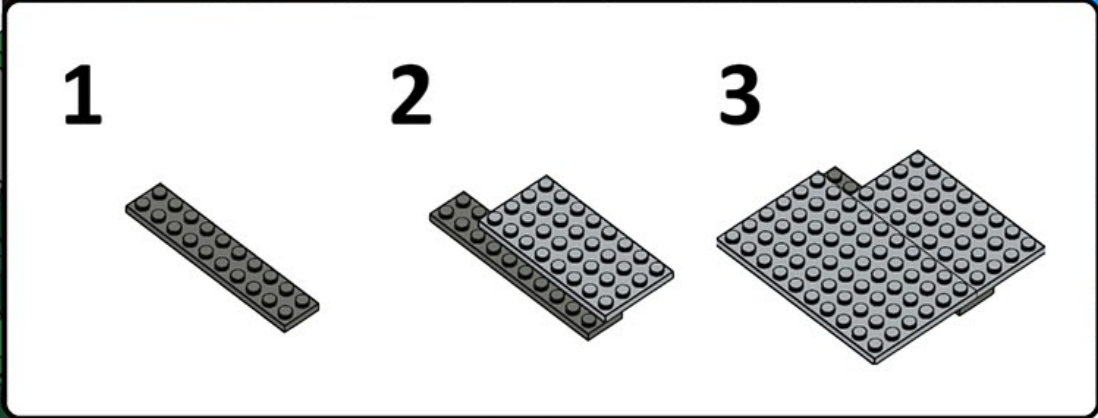
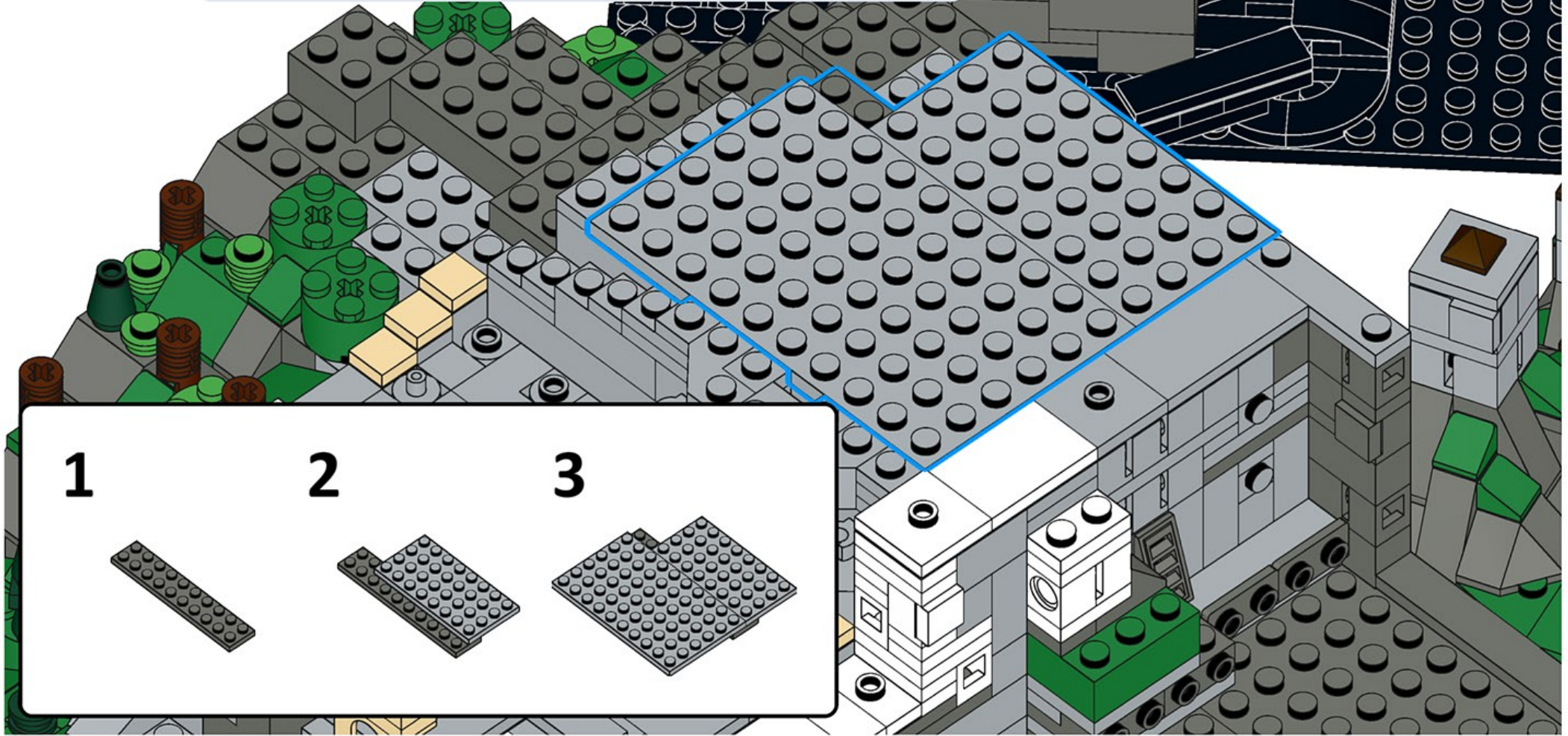
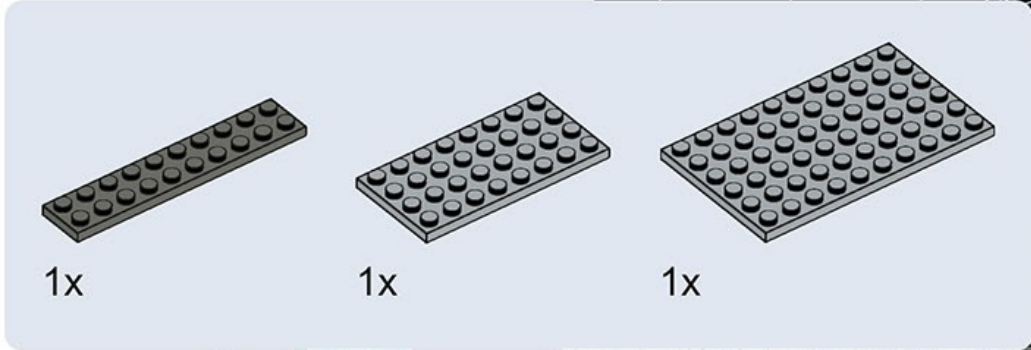
4x 1x 1x 1x 1x 1x 1x

This block contains a list of seven LEGO parts with their respective quantities. From left to right: a small grey 1x1 brick (4x), a grey 1x2 brick (1x), a white 1x2 brick with a hole (1x), a grey 1x2 brick with a hole (1x), a white 1x4 plate (1x), a grey 1x4 Technic beam (1x), and a grey 1x4 Technic beam with a hole (1x).





# 147





# 148



7x



4x



1x



1x



1x

1



2



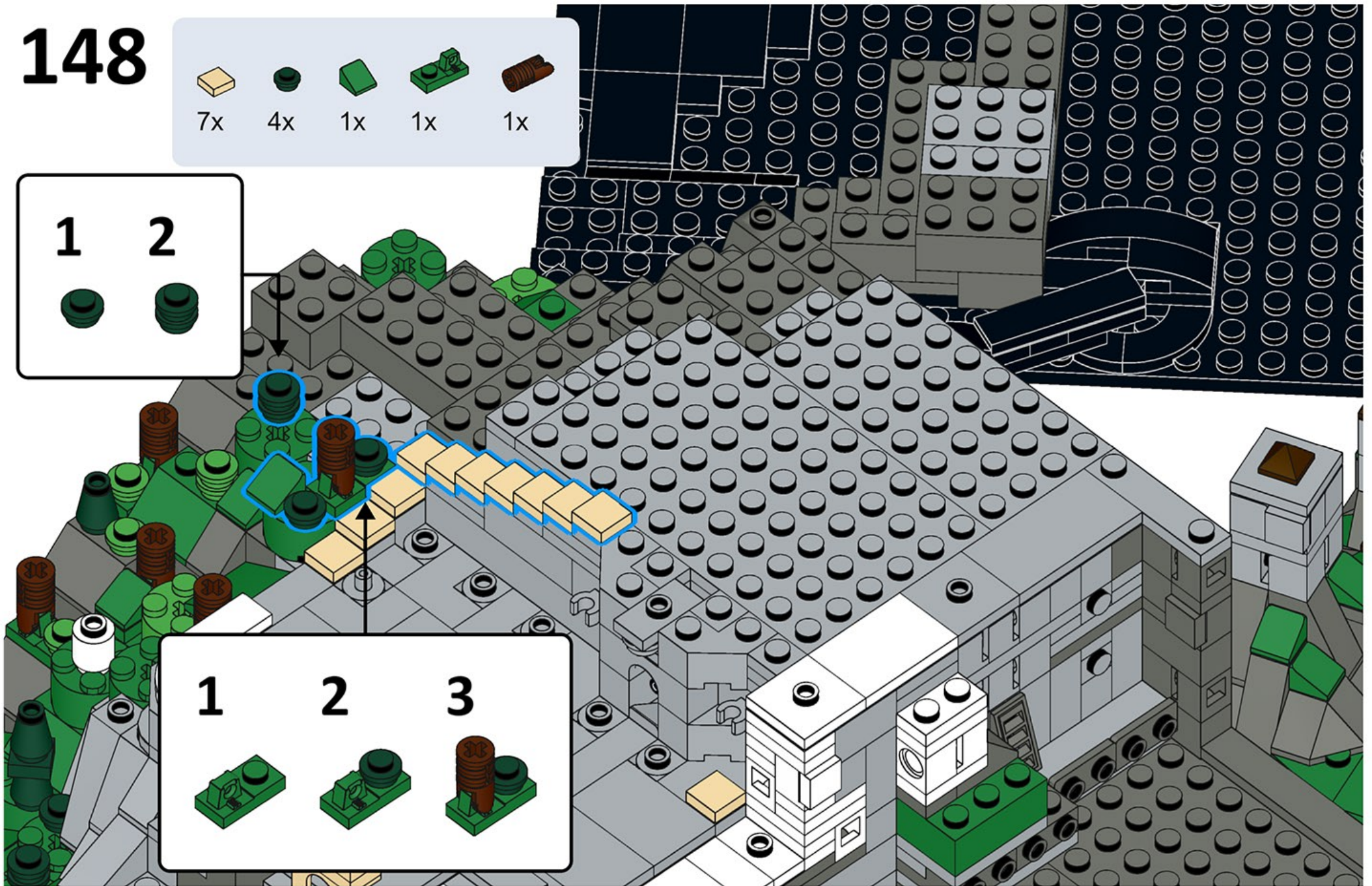
1



2







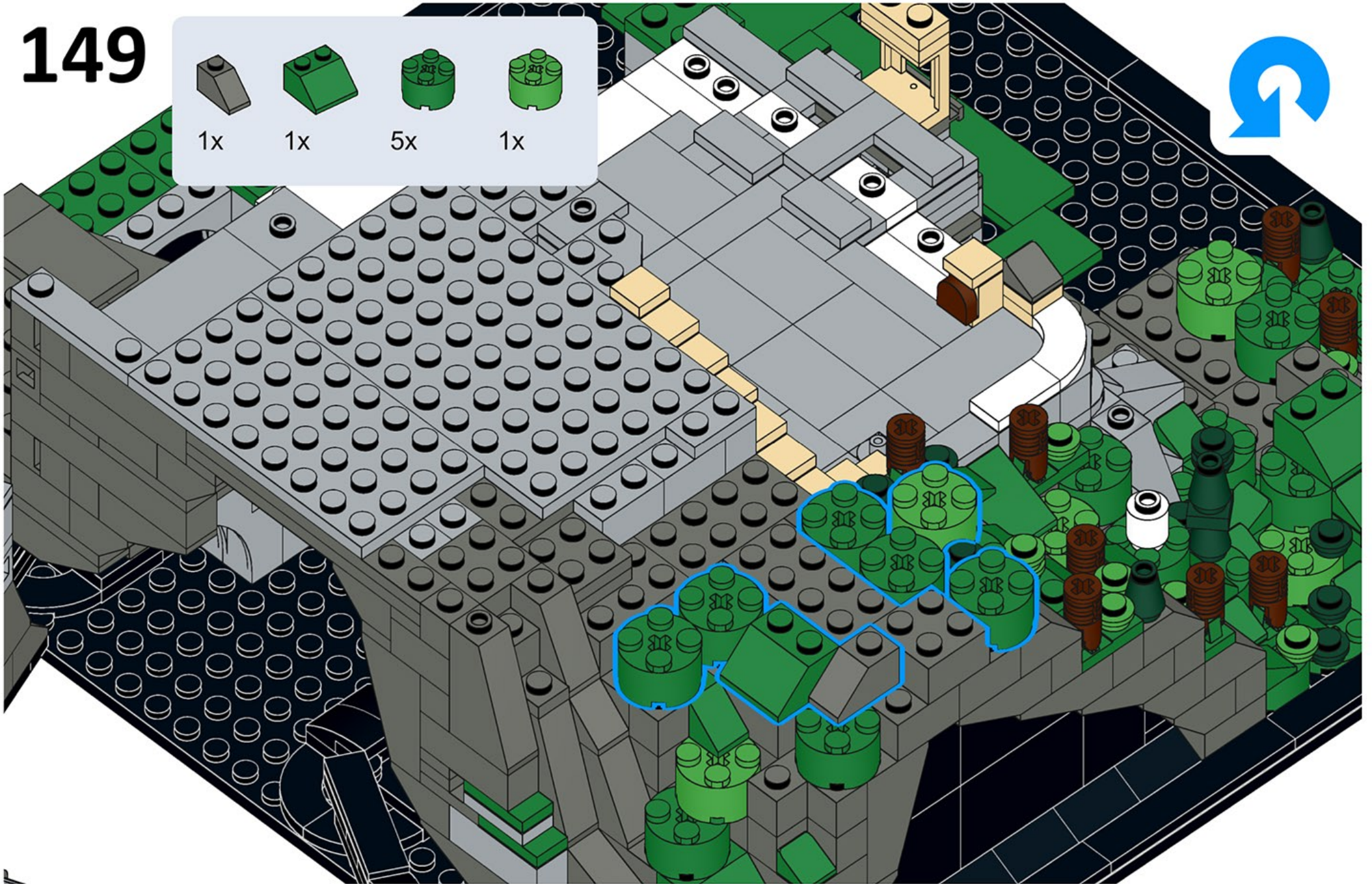
3





# 149

			
1x	1x	5x	1x





# 150



4x

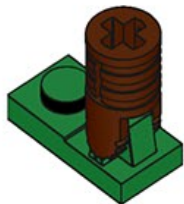


4x

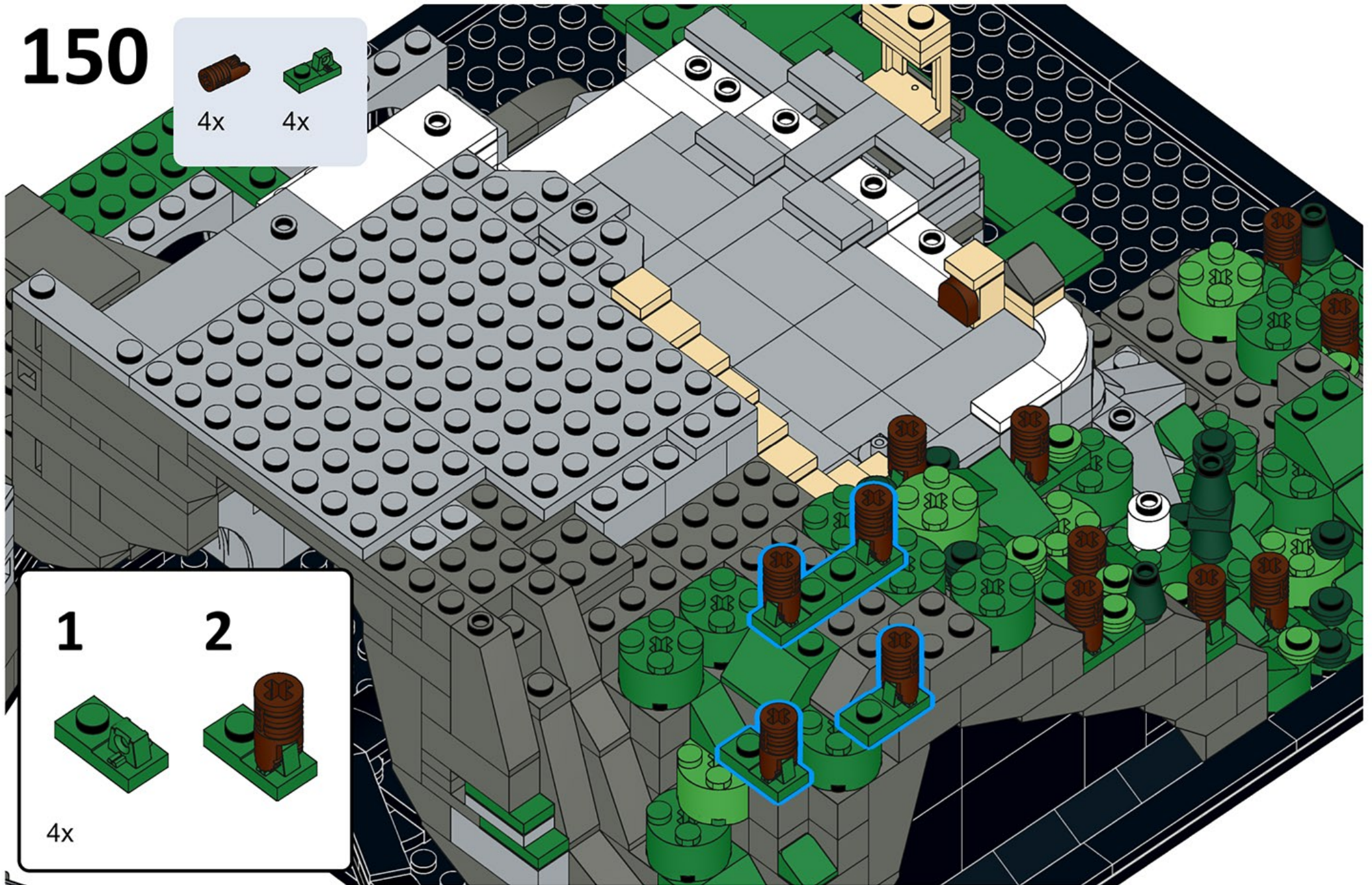
1



2






4x

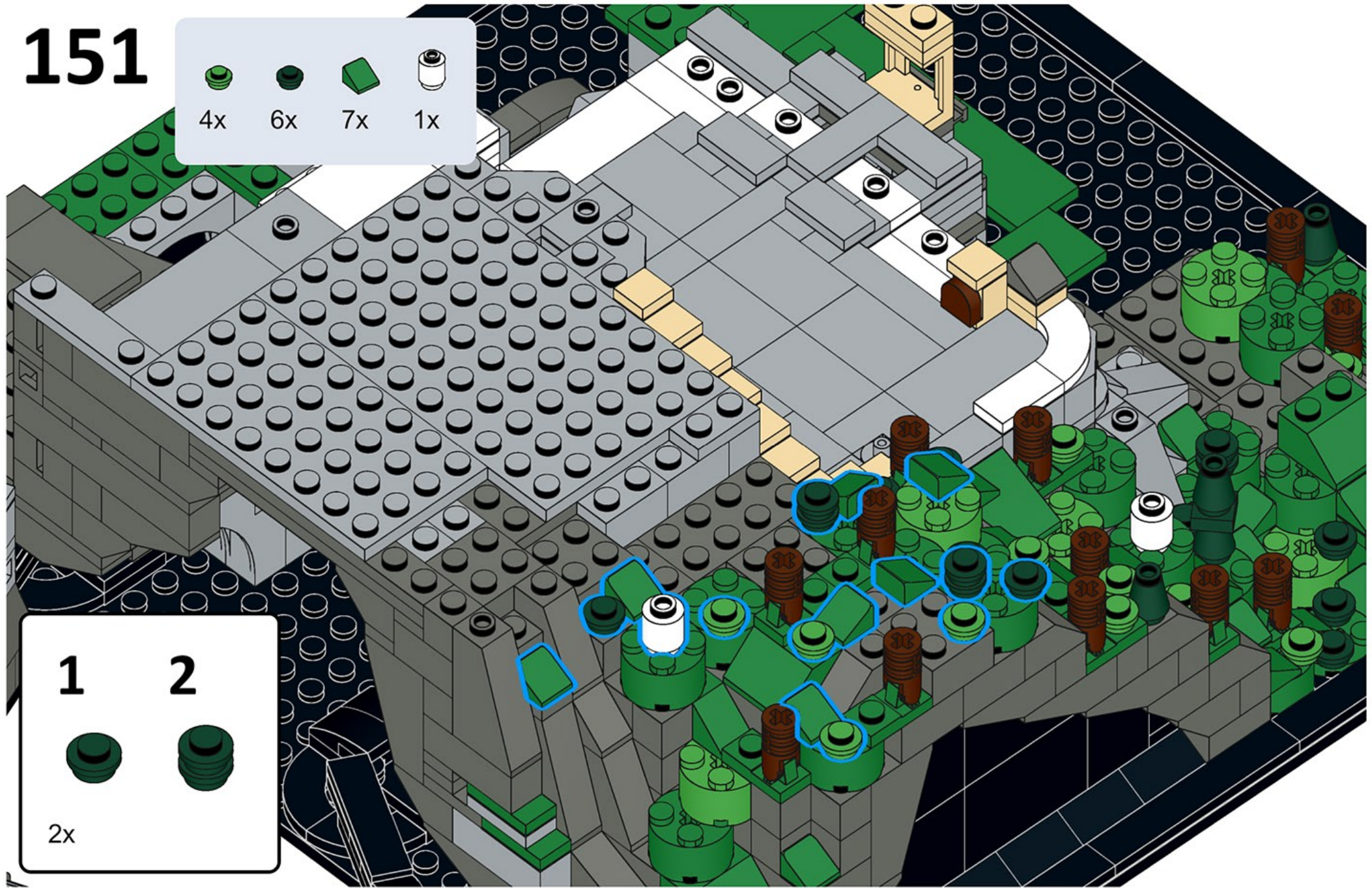




# 151

			
4x	6x	7x	1x

<b>1</b>	<b>2</b>
	
2x	





# 152



1x



2x



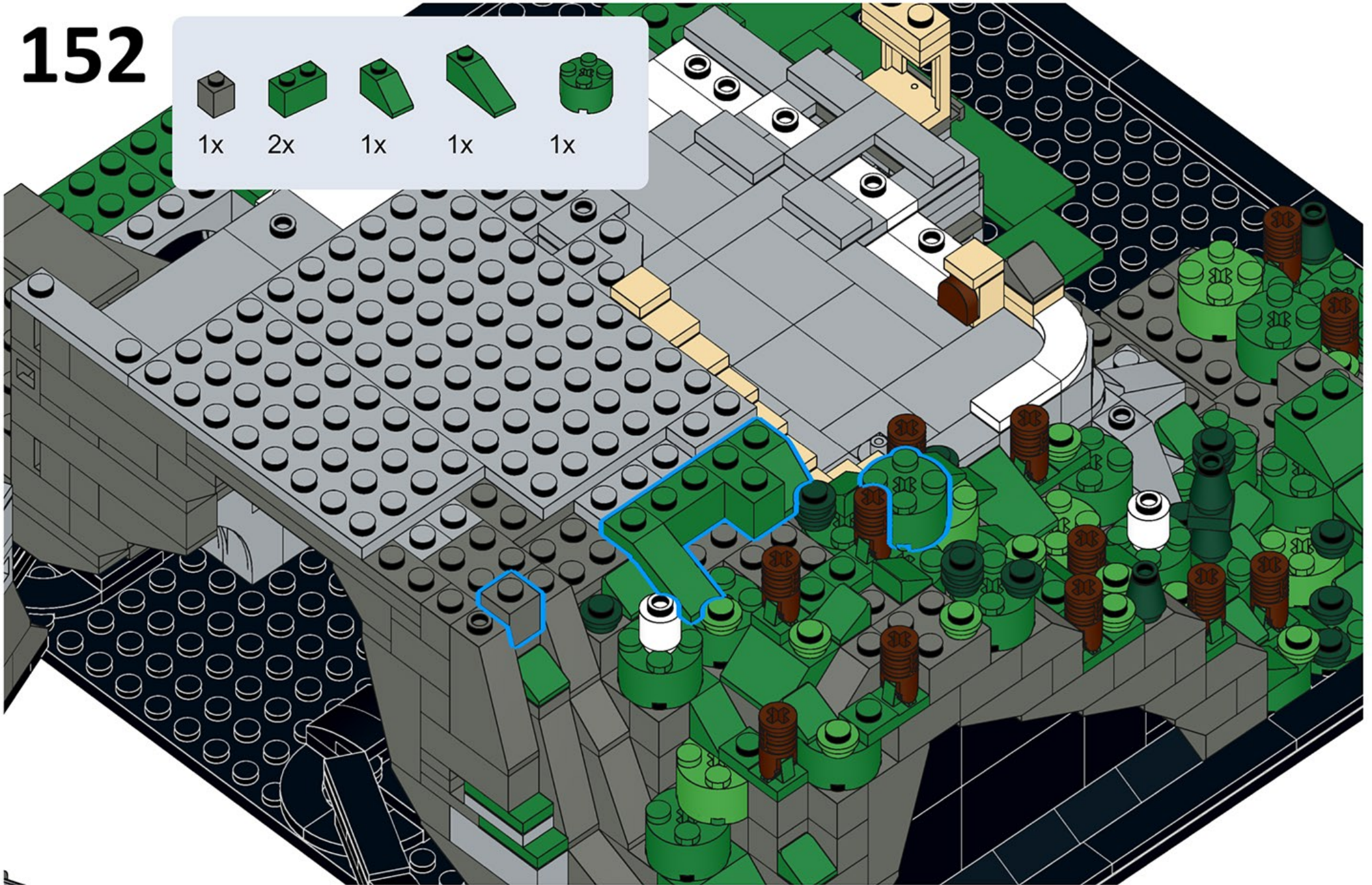
1x



1x

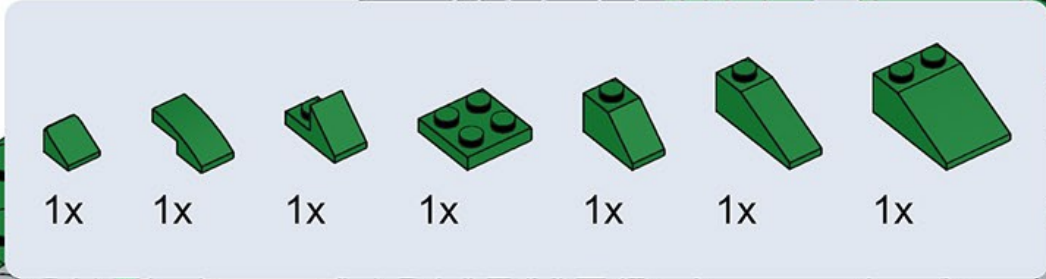


1x



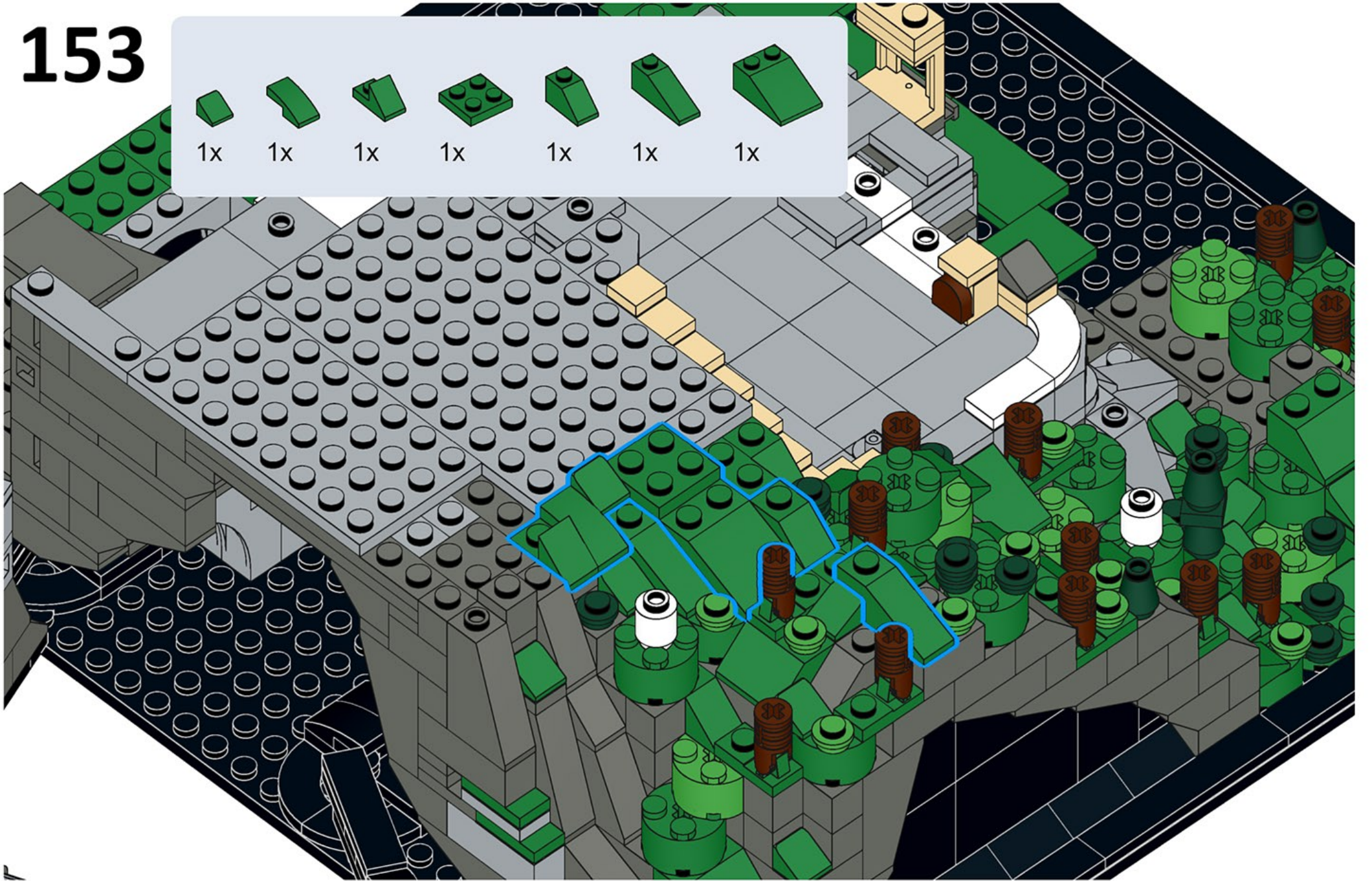


# 153








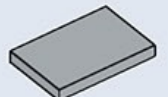
1x 1x 1x 1x 1x 1x 1x

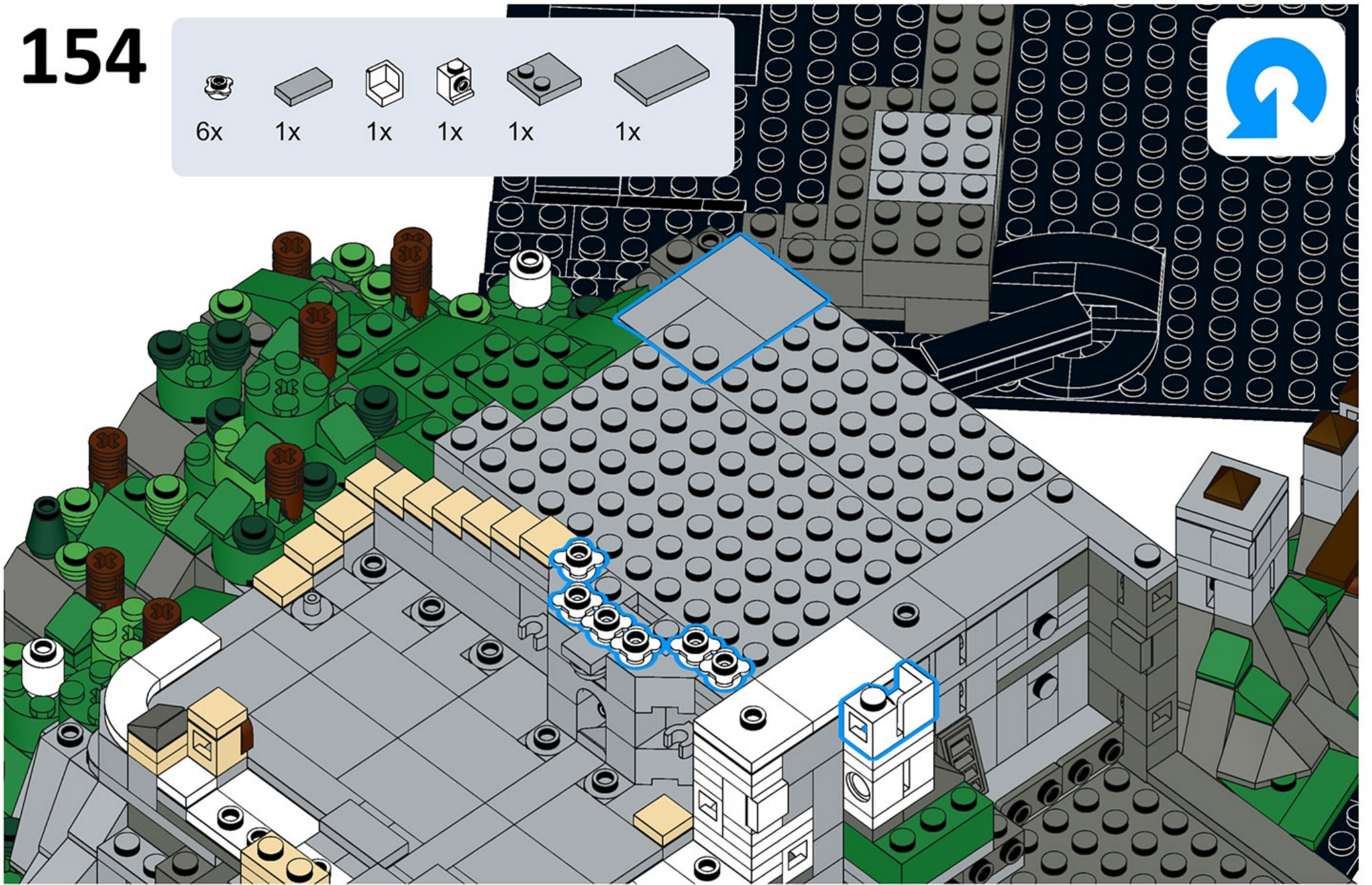
This block contains a list of seven green LEGO parts, each with a '1x' quantity label below it. From left to right, the parts are: a 1x2 Technic brick, a 1x3 Technic brick, a 1x4 Technic brick, a 1x4 Technic brick with four studs, a 1x4 Technic brick with one stud, a 1x6 Technic brick with one stud, and a 1x6 Technic brick with two studs.





# 154

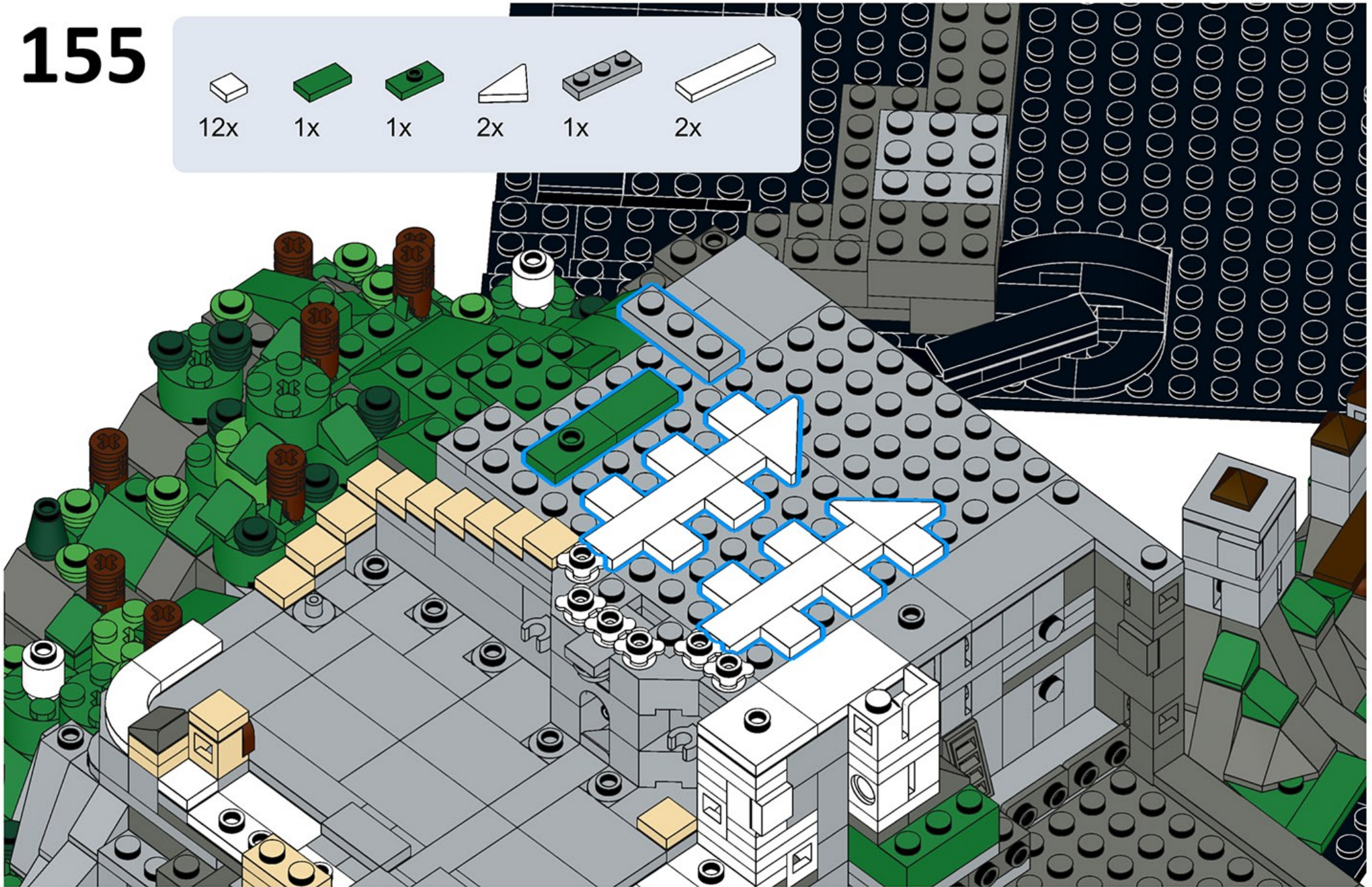
					
6x	1x	1x	1x	1x	1x





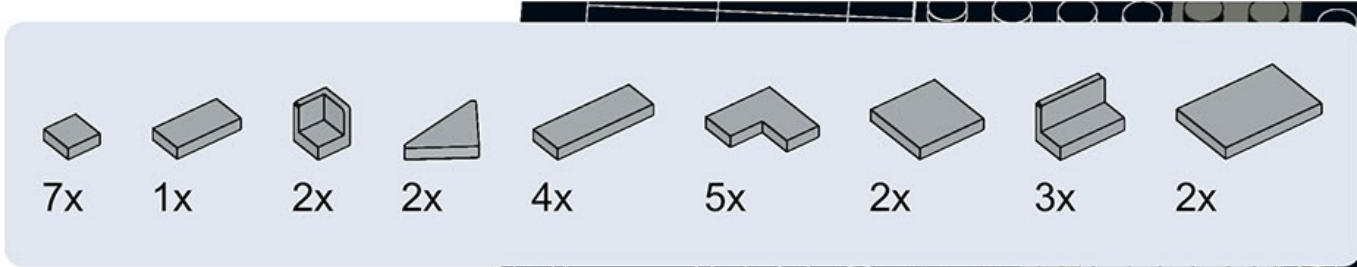
# 155

12x 1x 1x 2x 1x 2x



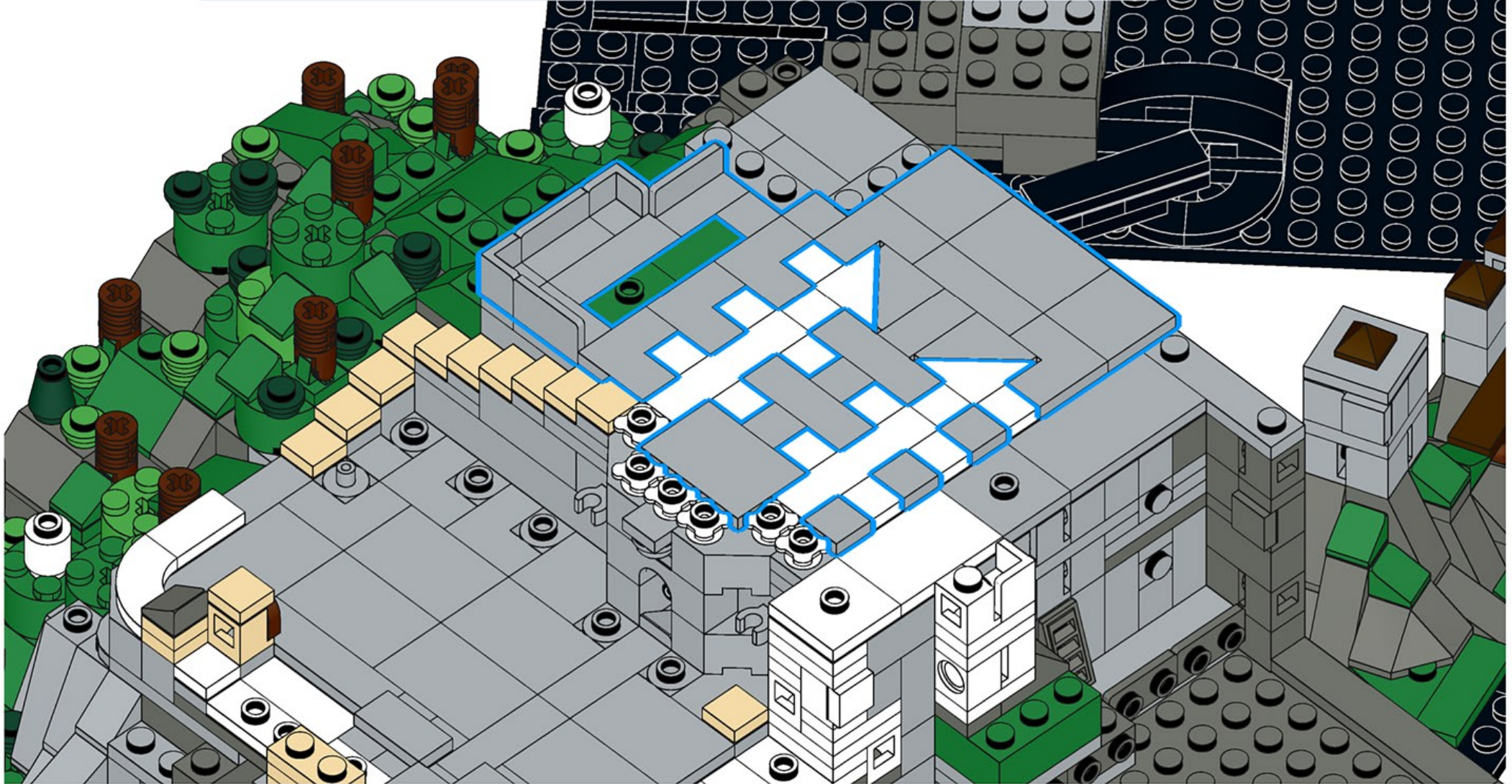


# 156



7x 1x 2x 2x 4x 5x 2x 3x 2x

This block contains a list of nine grey LEGO parts with their respective quantities. From left to right: a 1x1 square (7x), a 1x2 rectangle (1x), a 1x2 hollow rectangle (2x), a 1x2 right-angled triangle (2x), a 1x4 long thin rectangle (4x), a 1x2 L-shaped piece (5x), a 1x2 square (2x), a 1x3 hollow rectangle (3x), and a 1x4 long thin rectangle (2x).








# 157


- 4x 
- 1x 
- 4x 
- 2x 
- 2x 
- 2x 



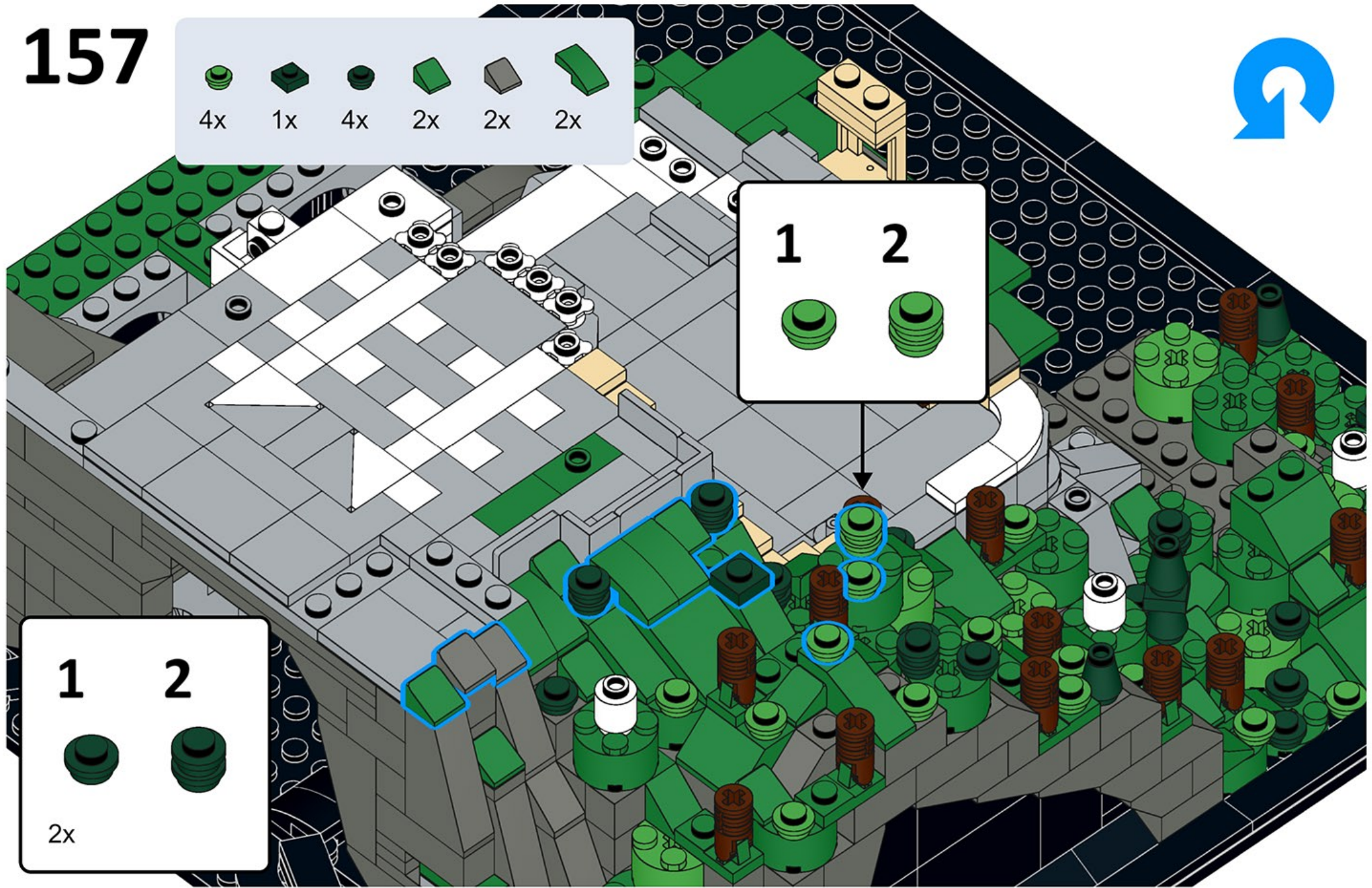
1 

2 

1 

2 

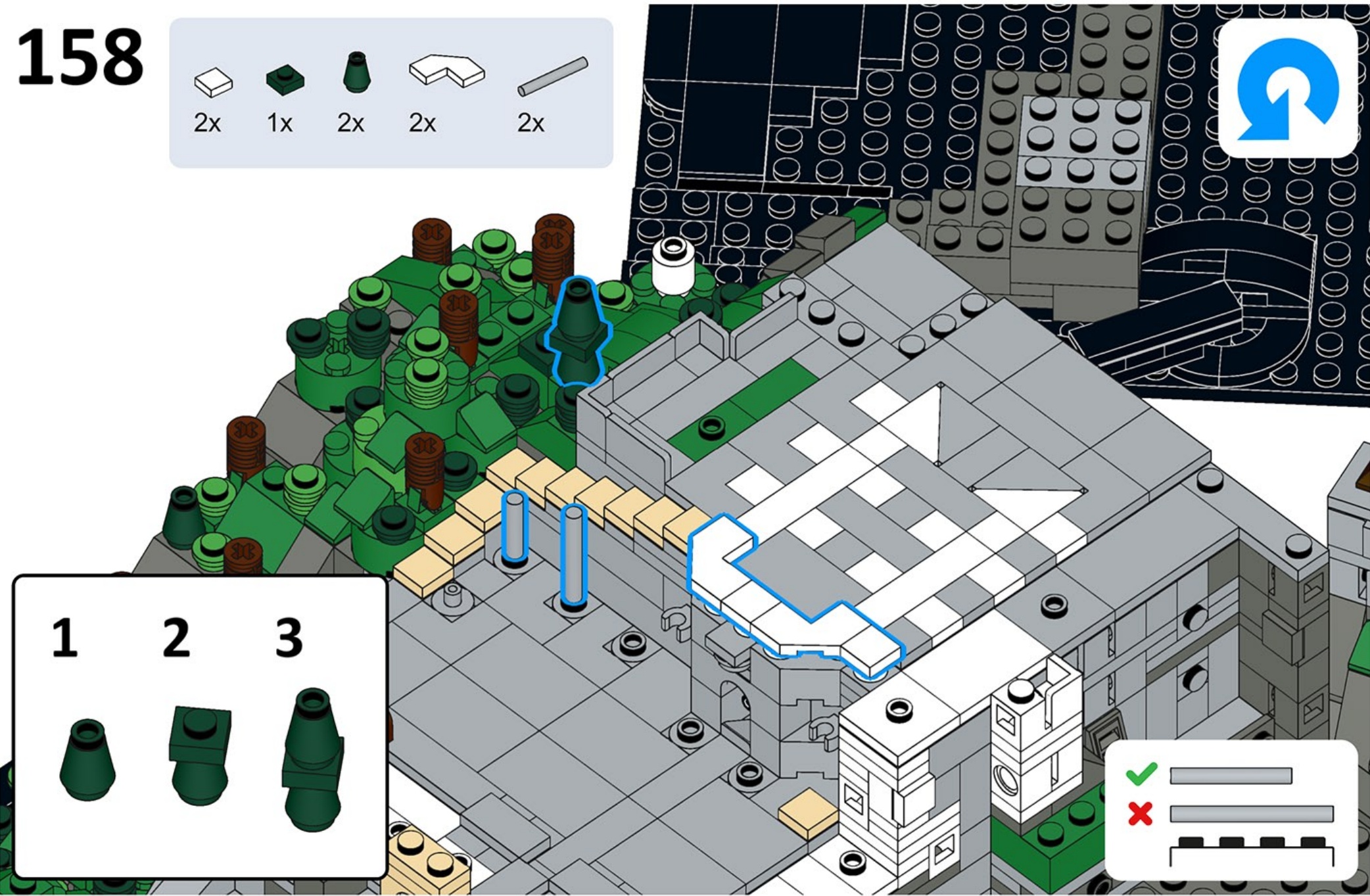
2x





# 158

2x 1x 2x 2x 2x

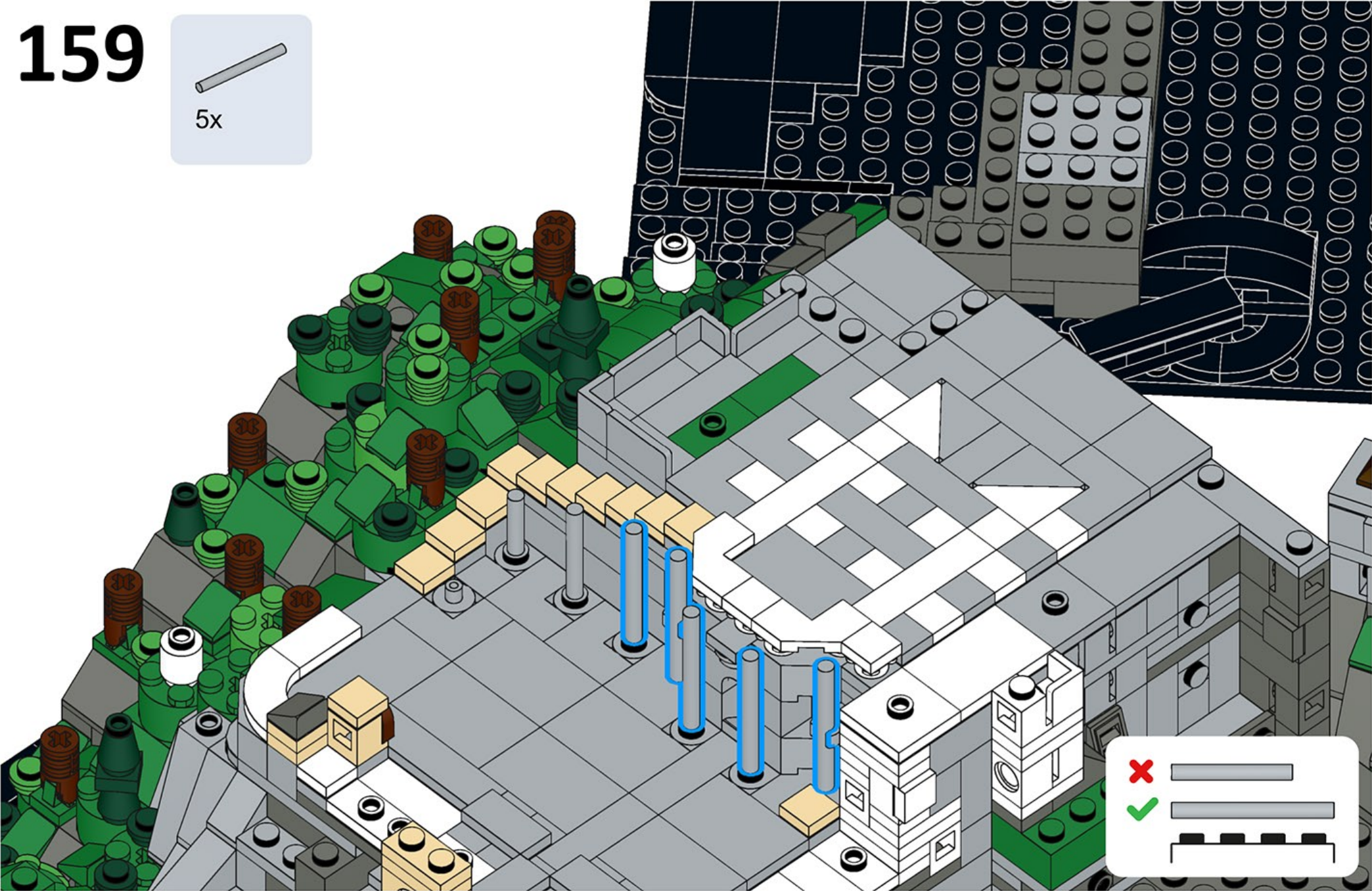
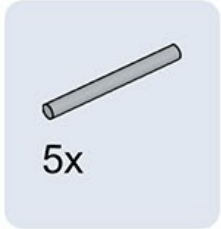


1 2 3

✓  
✗



# 159

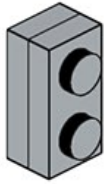




# 160



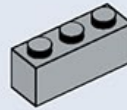
2x



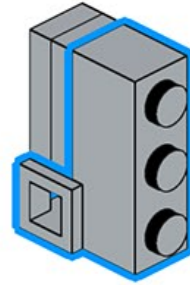
# 161



1x



1x



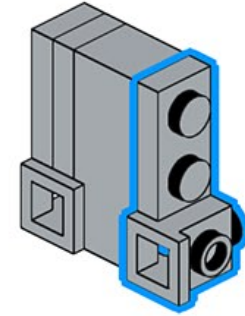
# 162



1x



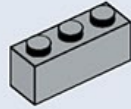
1x



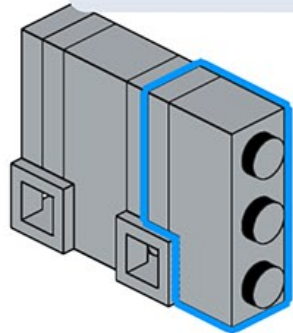
# 163



1x



1x



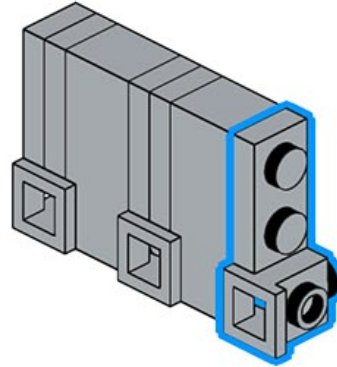
# 164



1x



1x



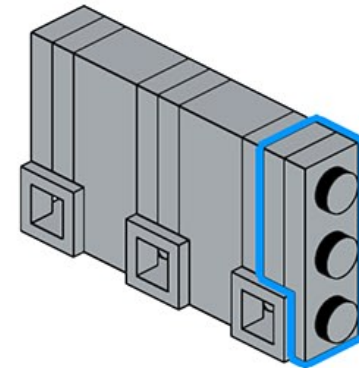
# 165



1x

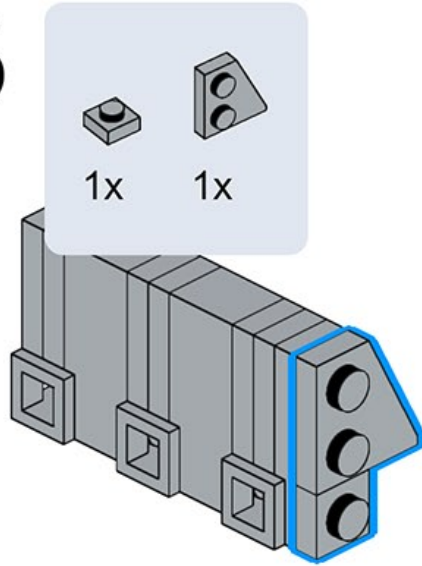


1x

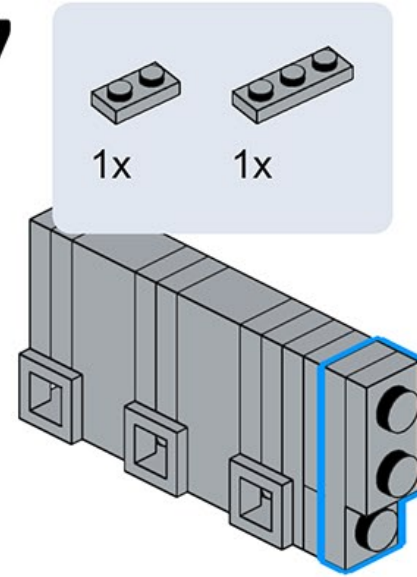




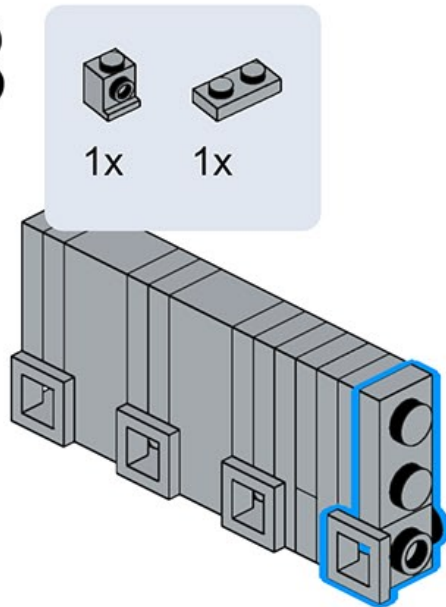
# 166



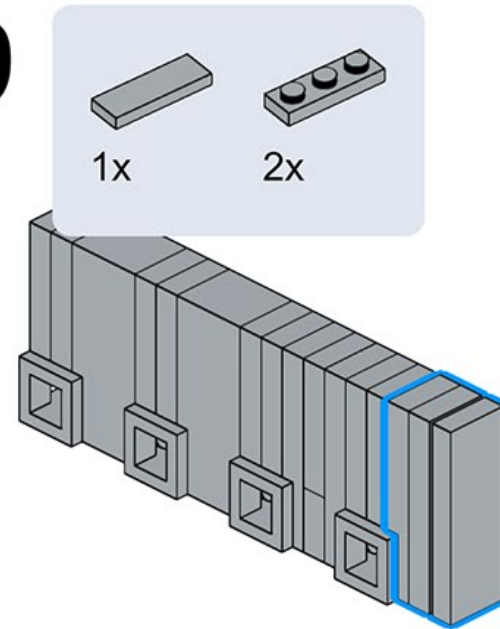
# 167



# 168

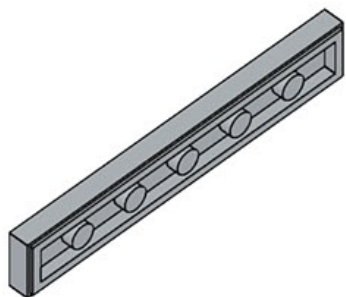
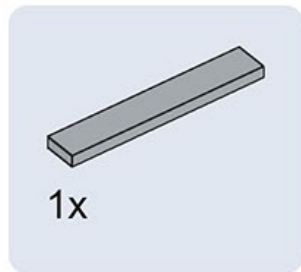


# 169

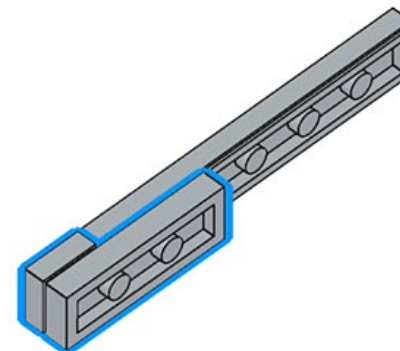
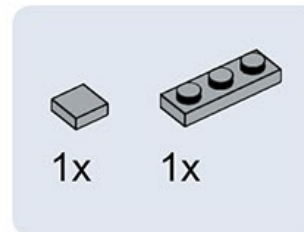




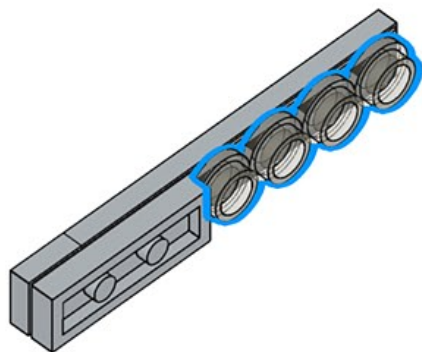
# 170



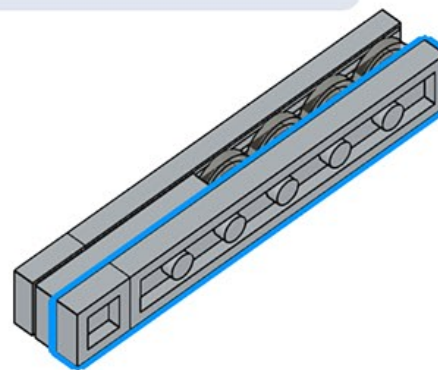
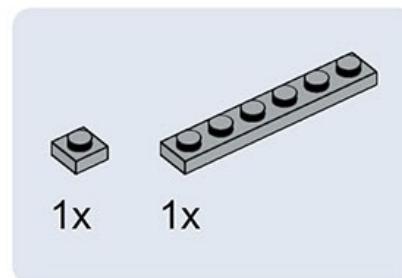
# 171



# 172

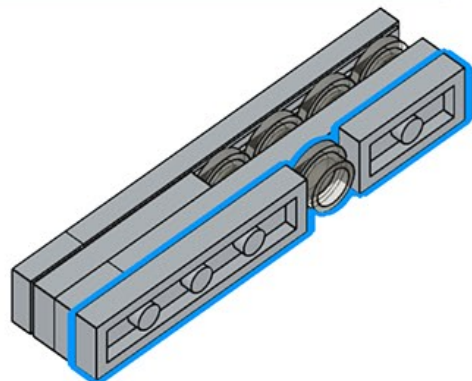
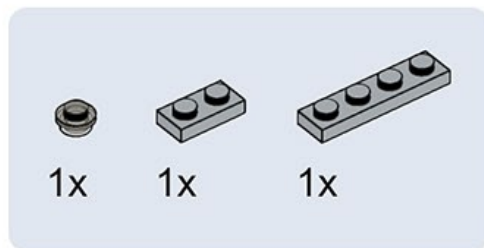


# 173

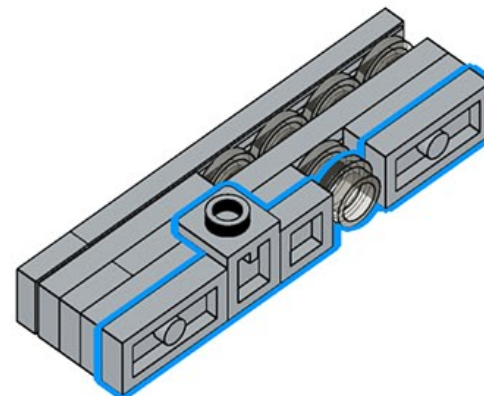
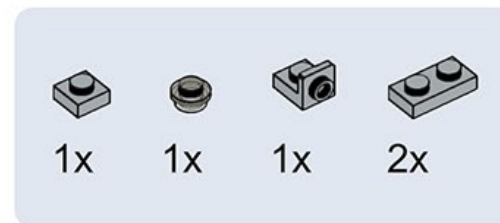




# 174



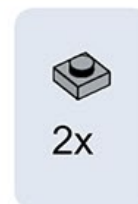
# 175



# 176



# 177

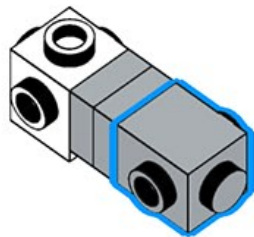




# 178



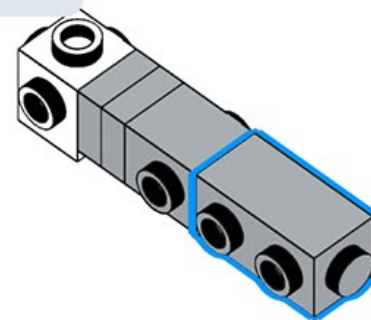
1x



# 179



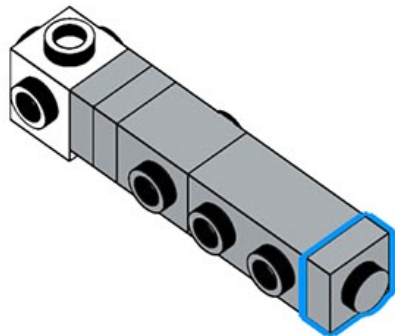
1x



# 180



1x



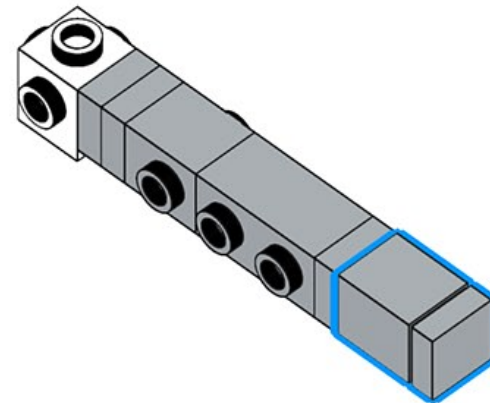
# 181



1x

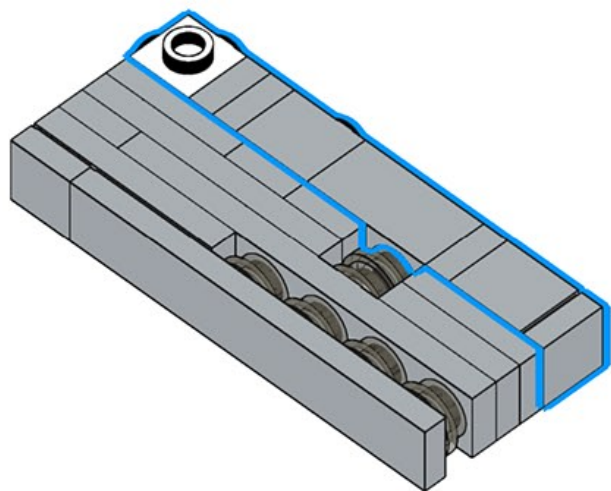


1x

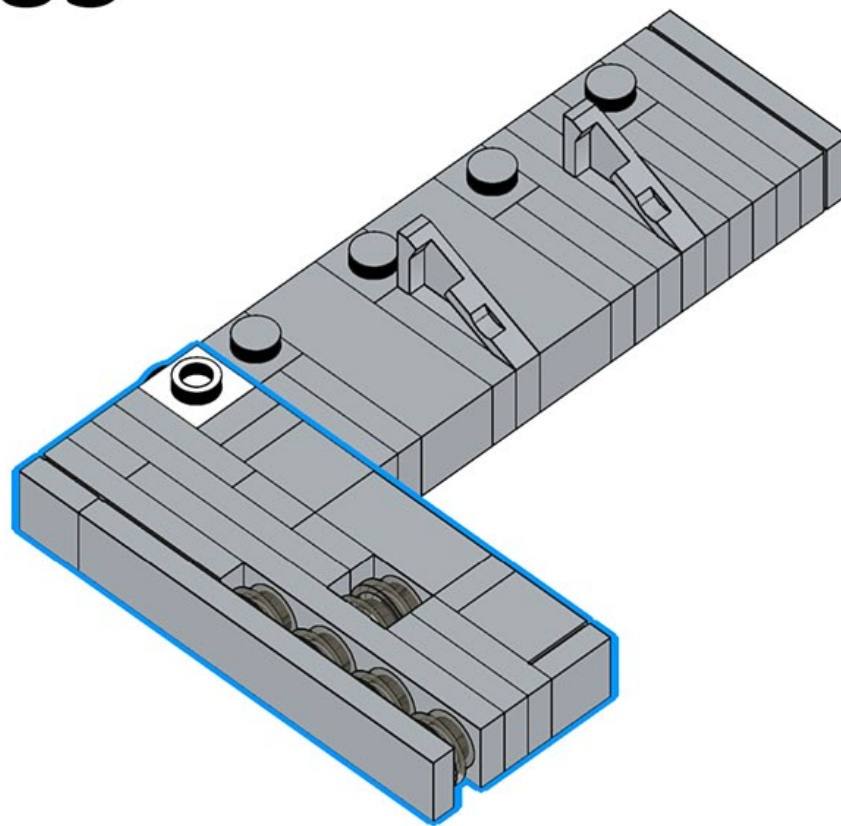




# 182

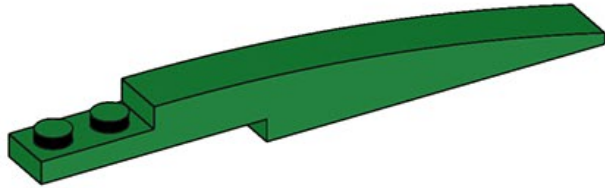
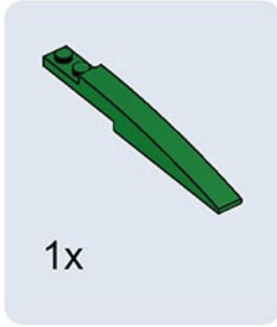


# 183

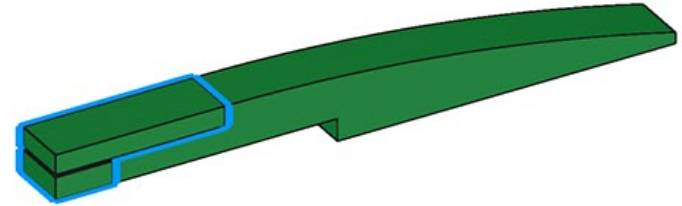
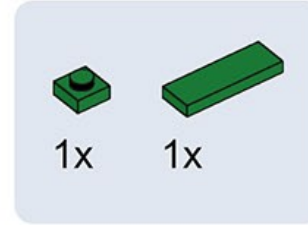




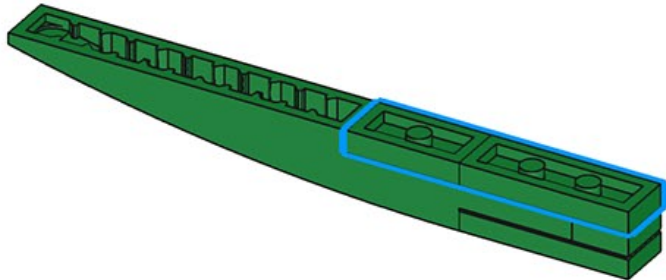
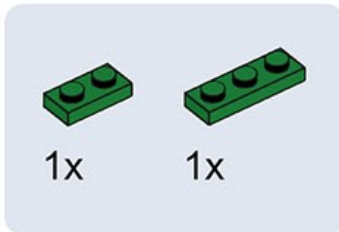
# 184



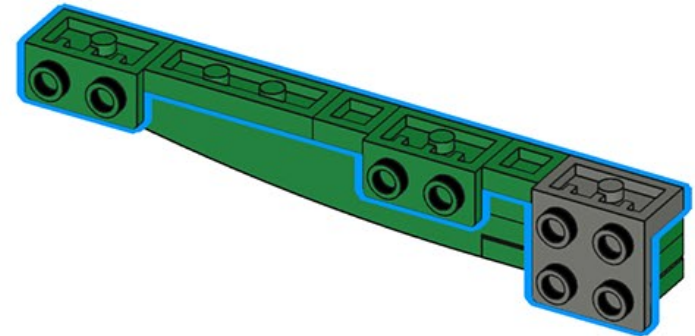
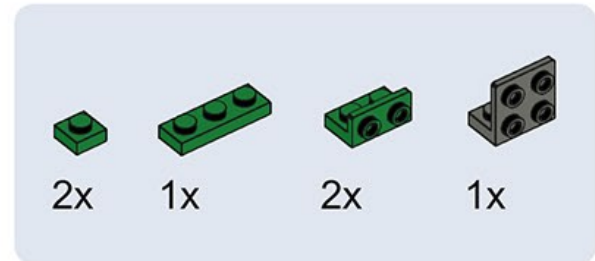
# 185



# 186

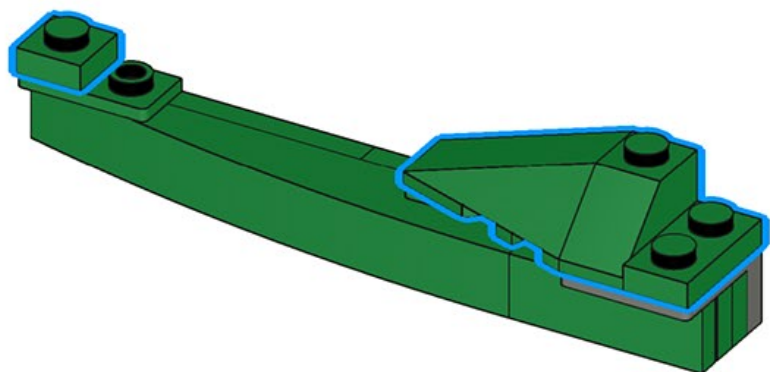
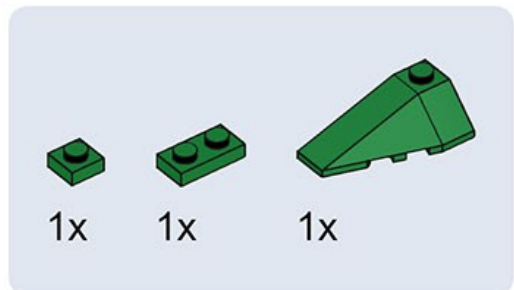


# 187

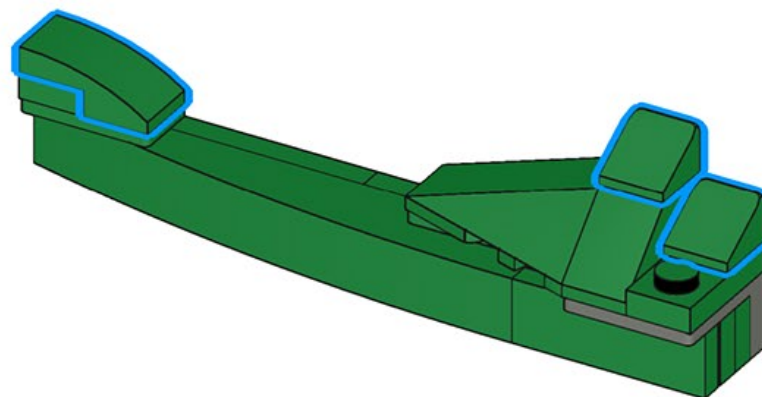
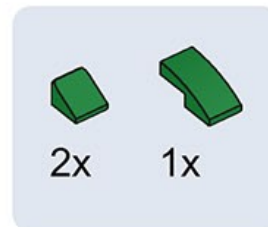




# 188

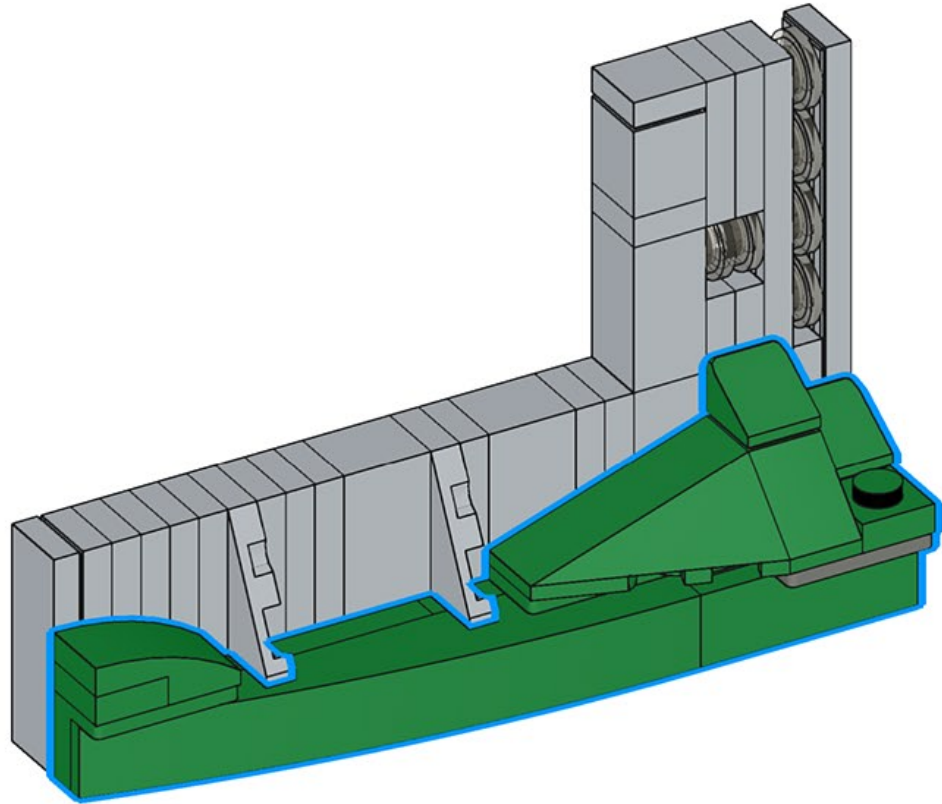


# 189

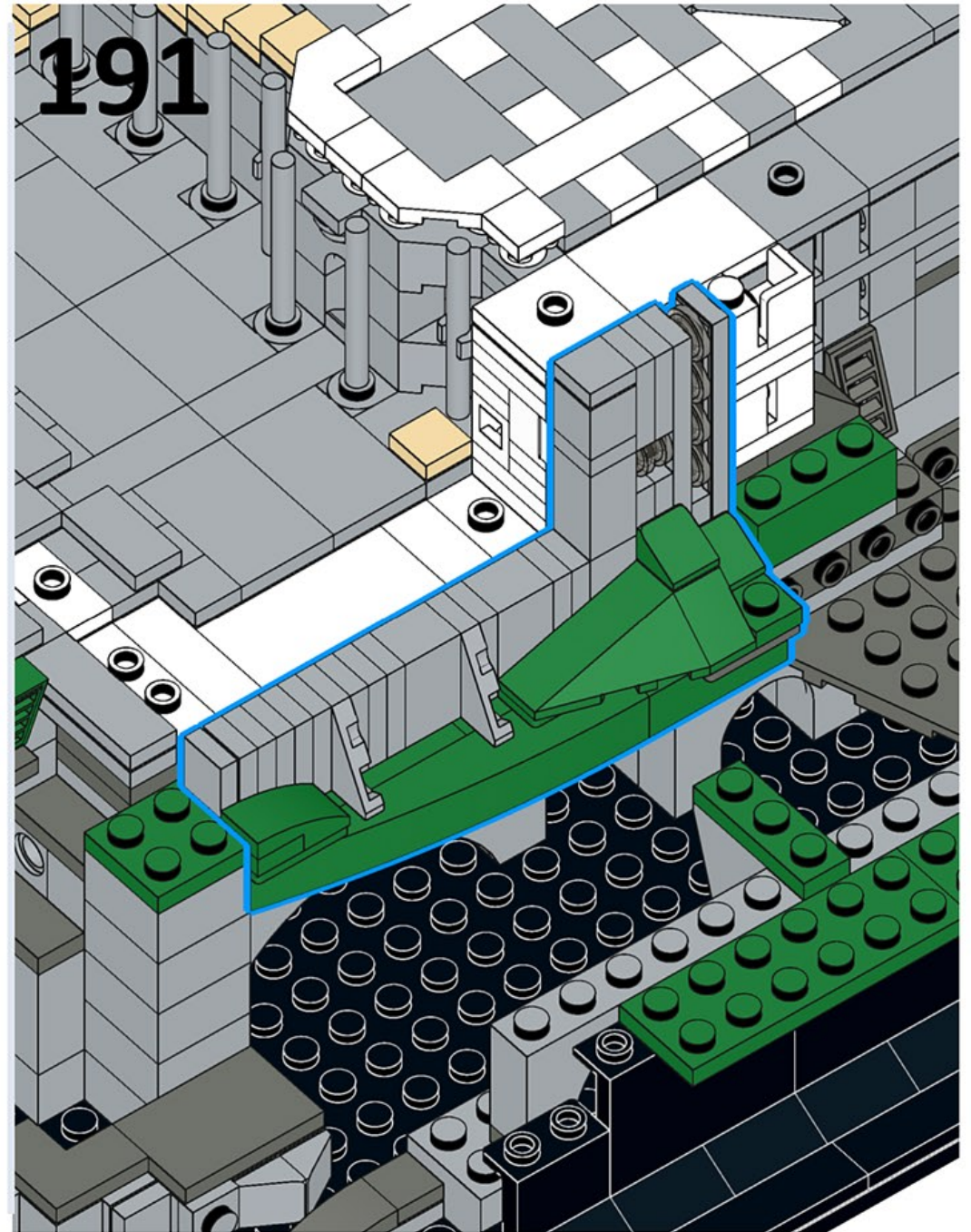




190

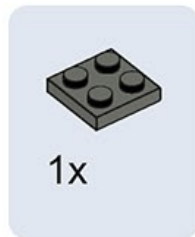


191

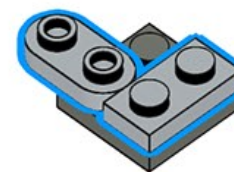
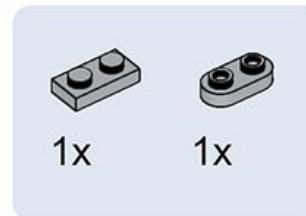




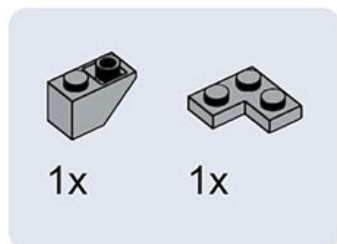
# 192



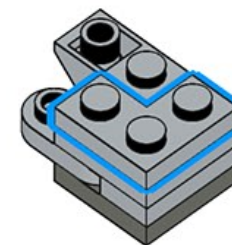
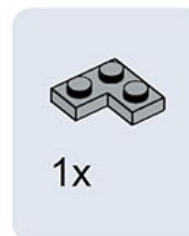
# 193



# 194



# 195





# 196



1x



# 197



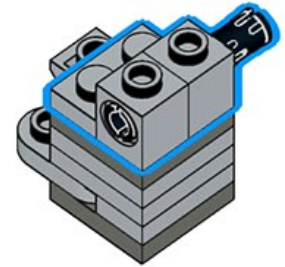
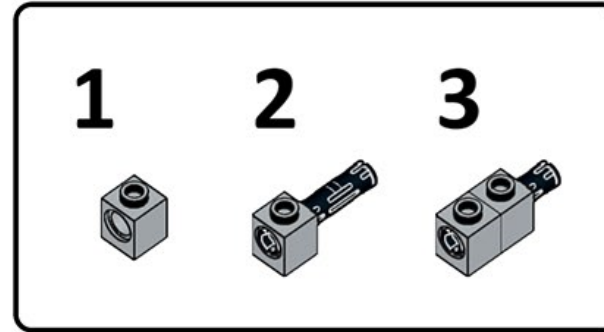
2x



1x



1x



# 198



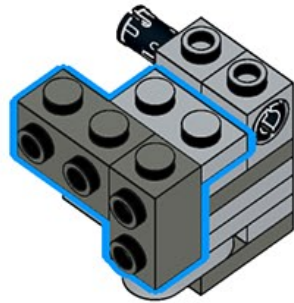
1x



1x



1x



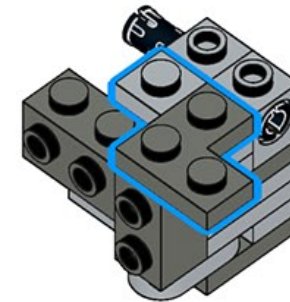
# 199



1x

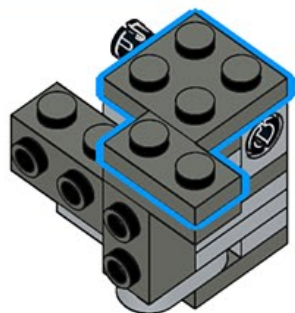
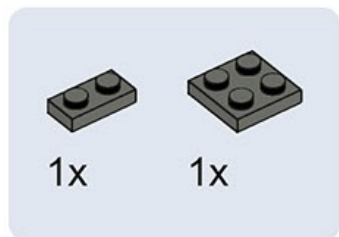


1x

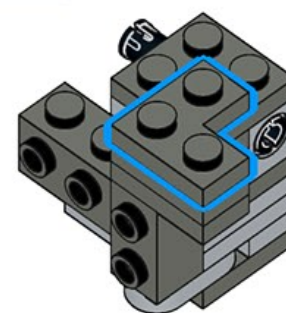
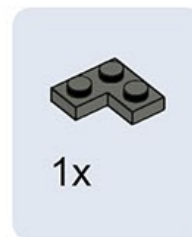




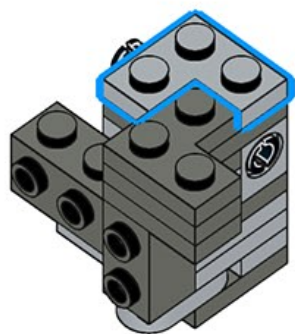
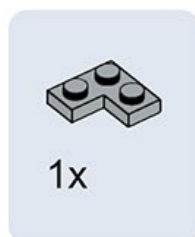
# 200



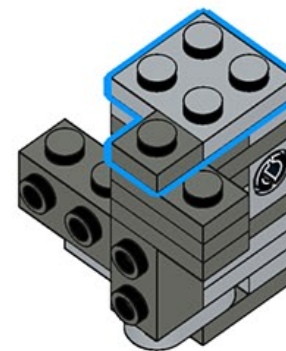
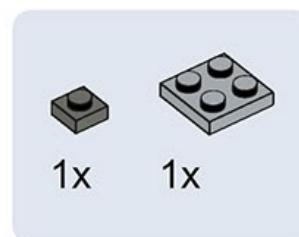
# 201



# 202

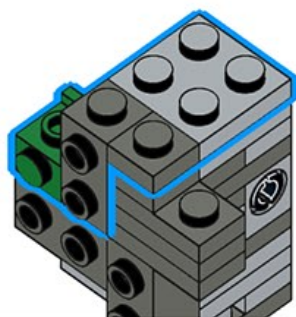
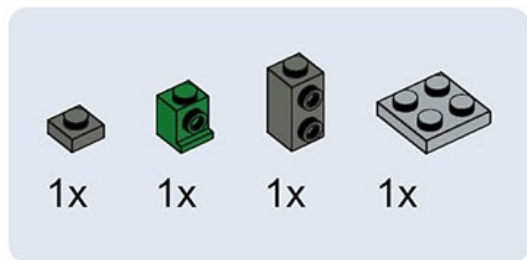


# 203

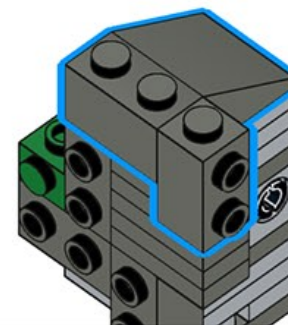
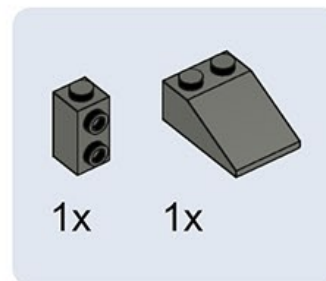




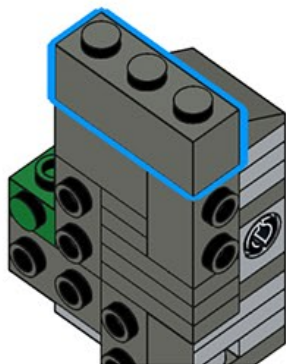
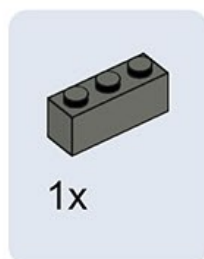
# 204



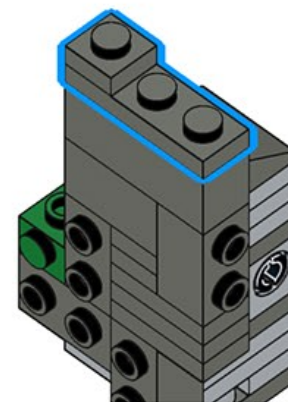
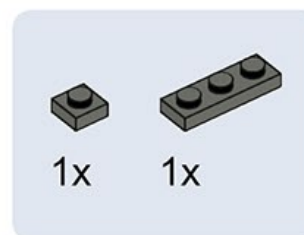
# 205



# 206

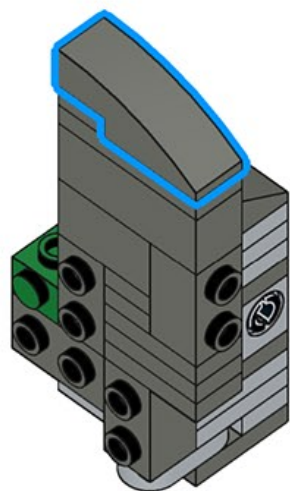
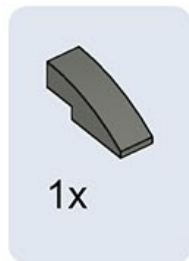


# 207

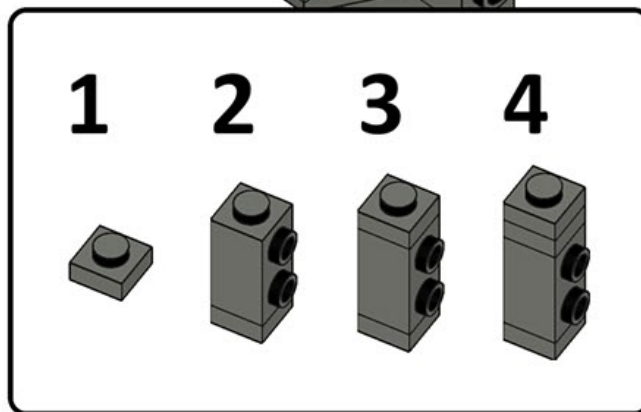
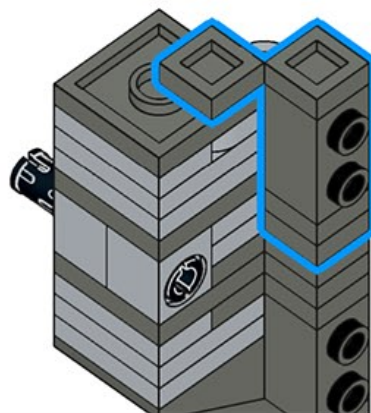
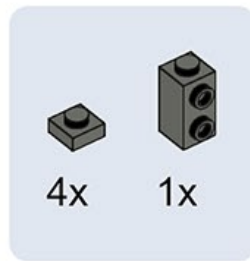




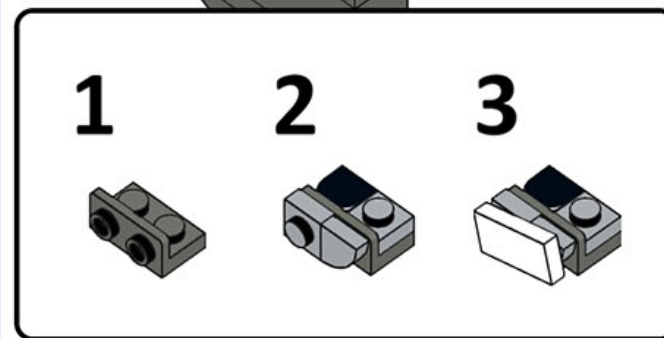
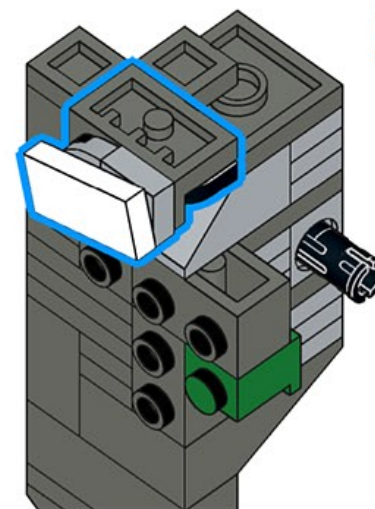
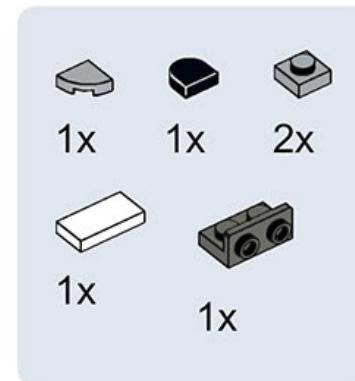
# 208



# 209

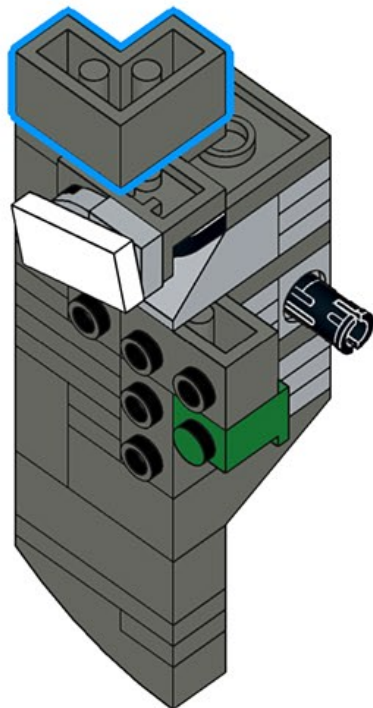
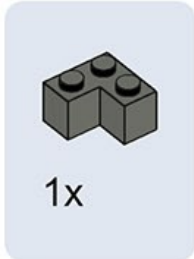


# 210

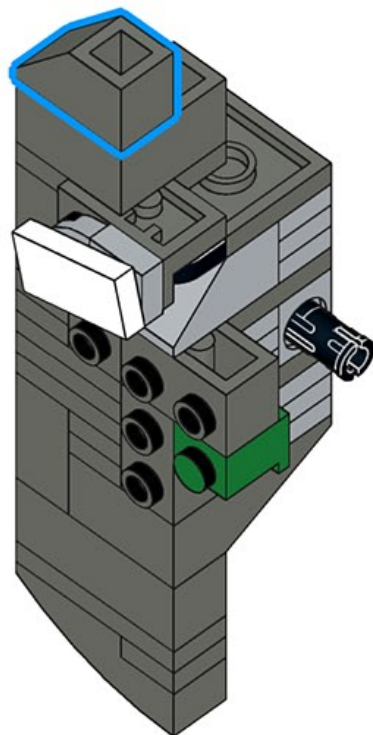
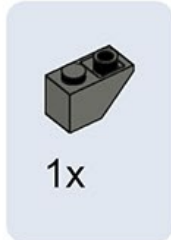




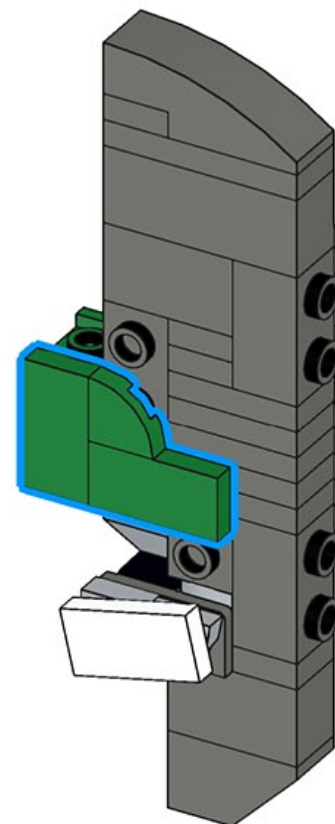
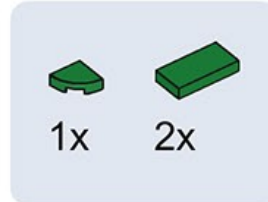
# 211



# 212

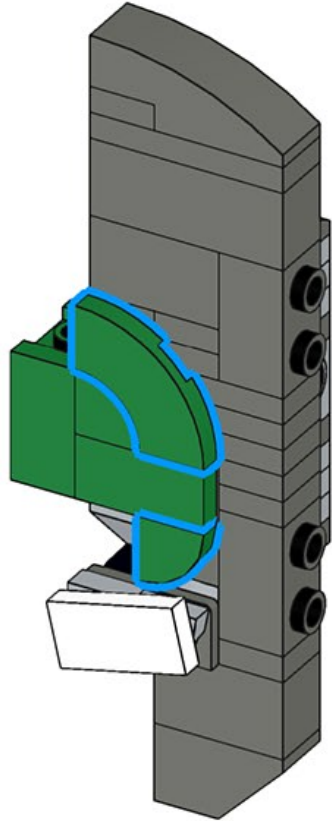
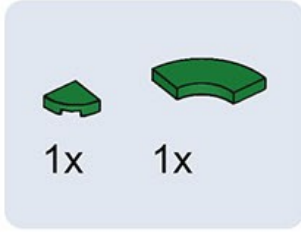


# 213

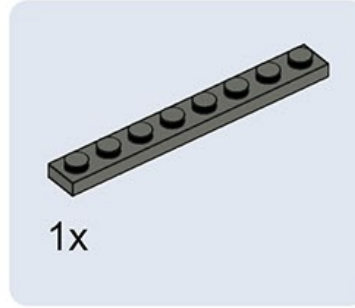




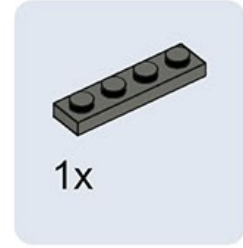
# 214



# 215

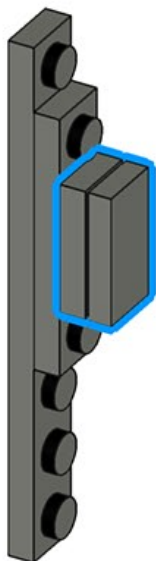
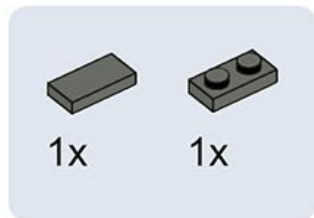


# 216

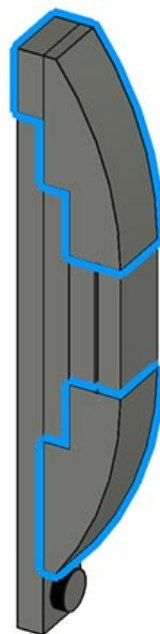
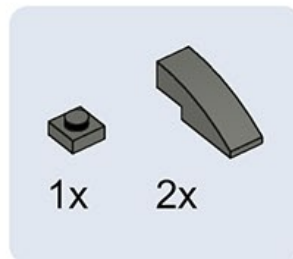




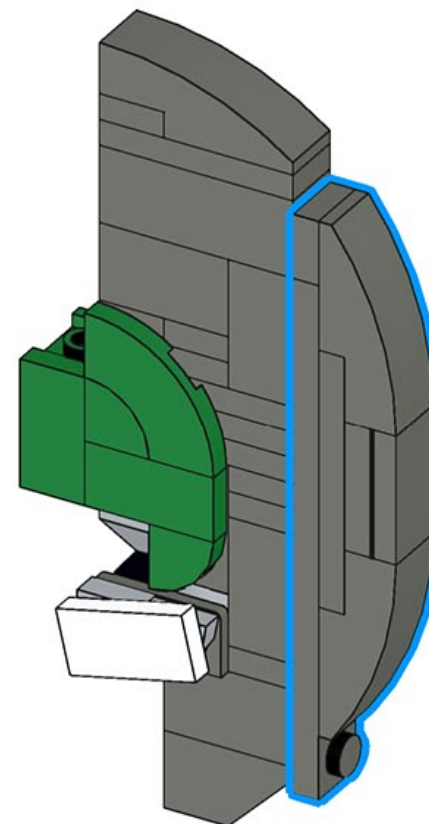
# 217



# 218

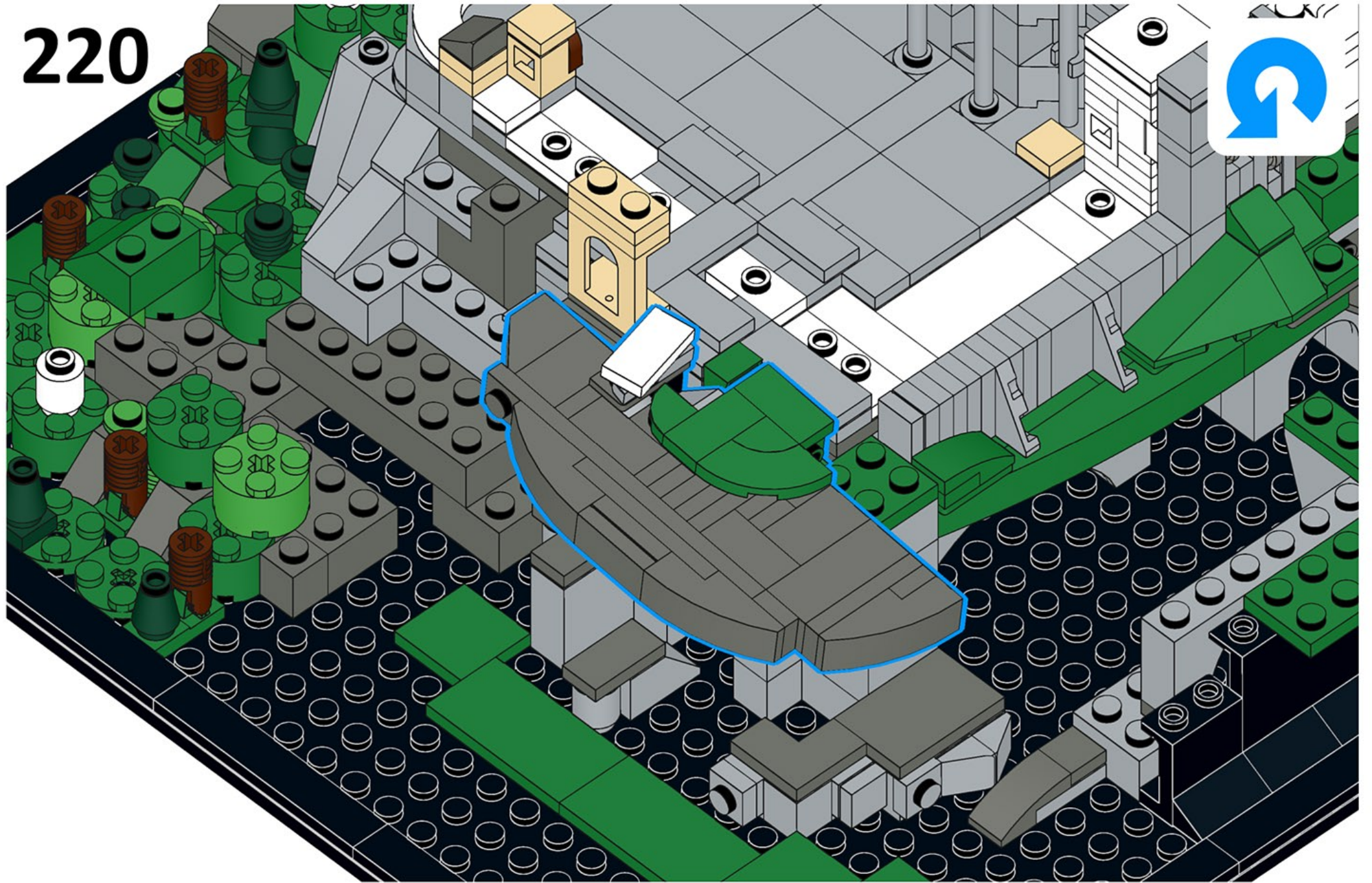


# 219



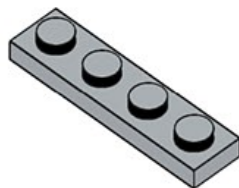
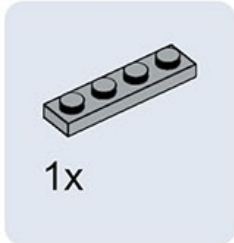


220

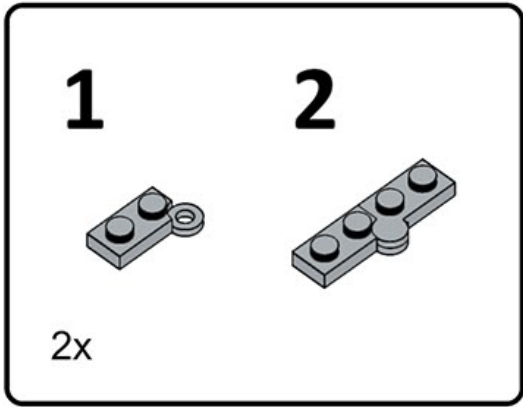
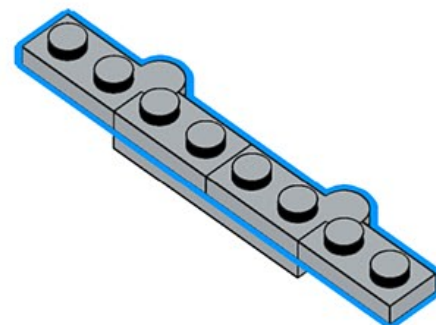
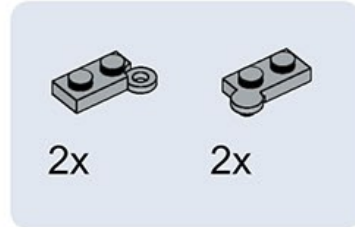




# 221

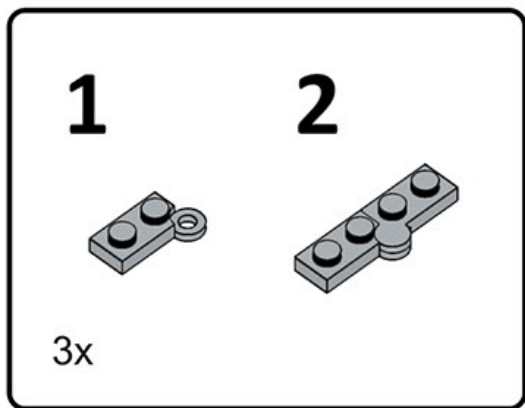
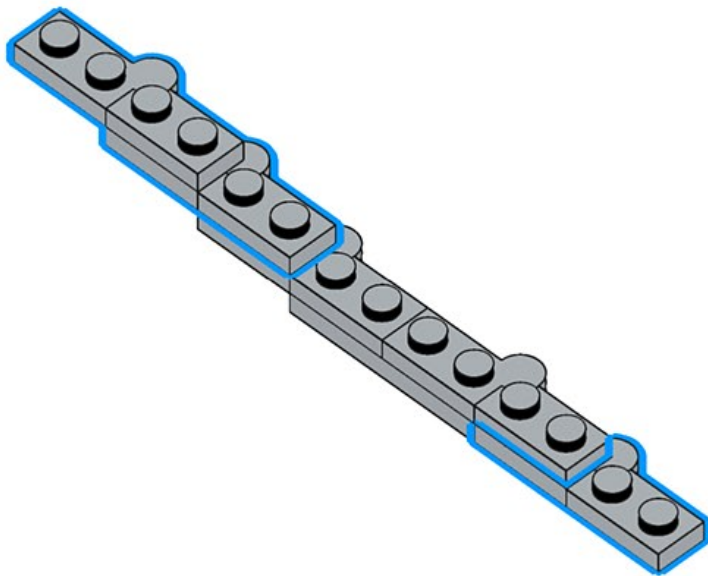
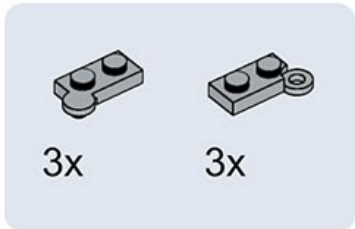


# 222



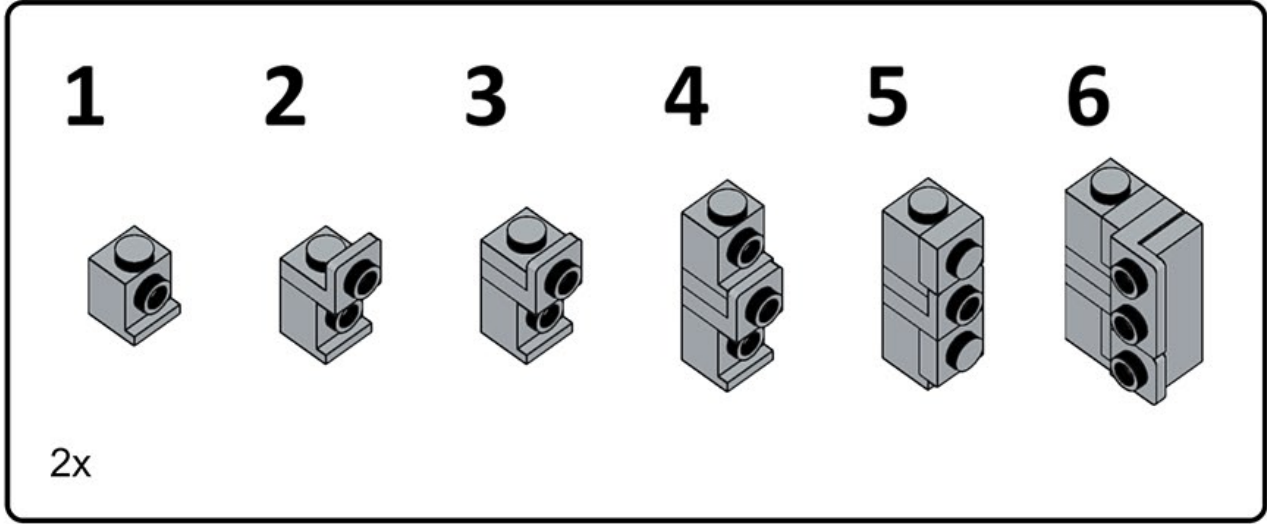
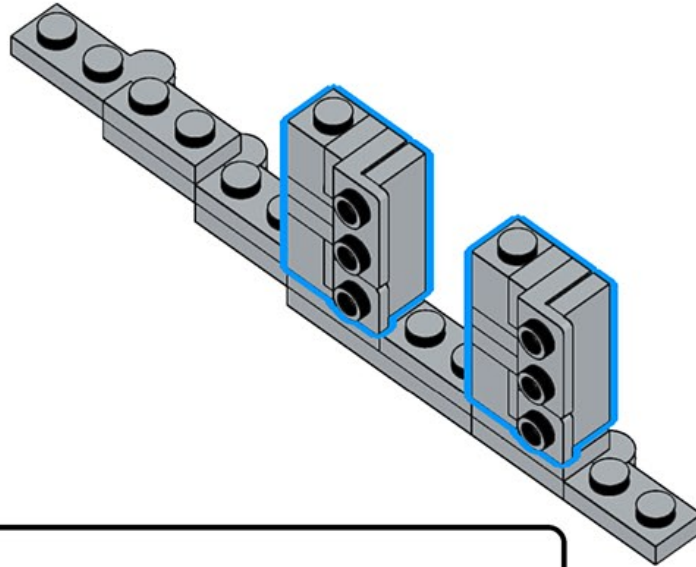
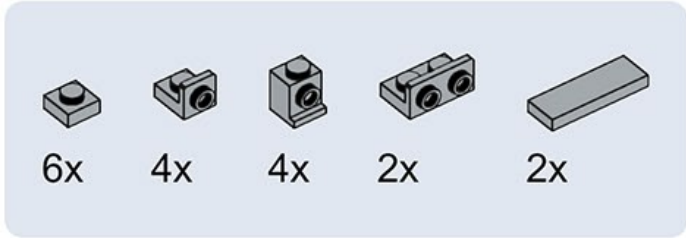


# 223



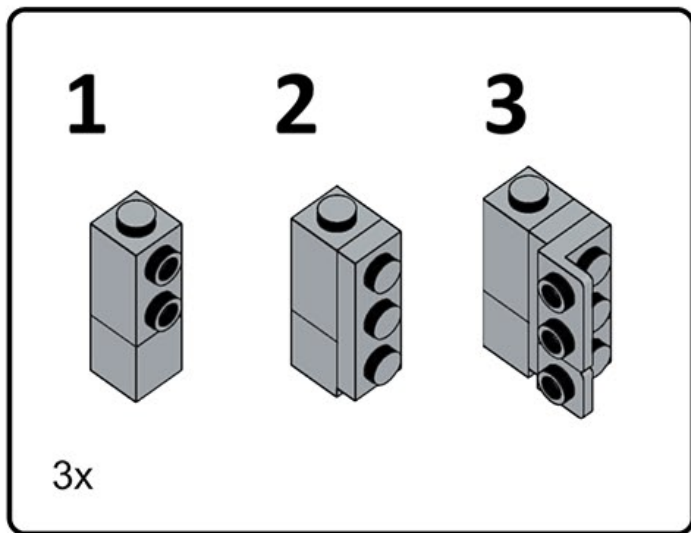
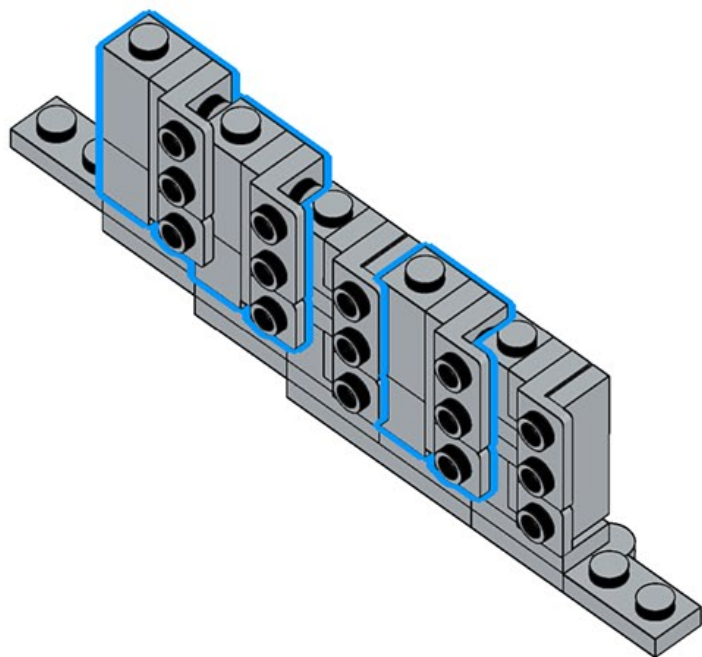
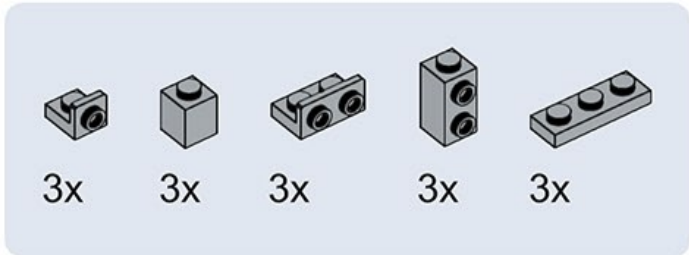


# 224



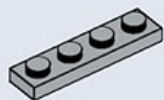


# 225

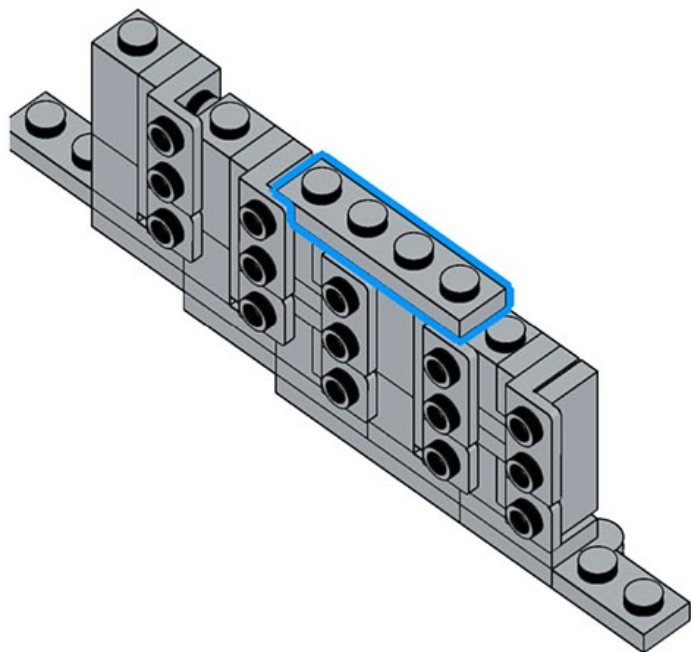




# 226



1x



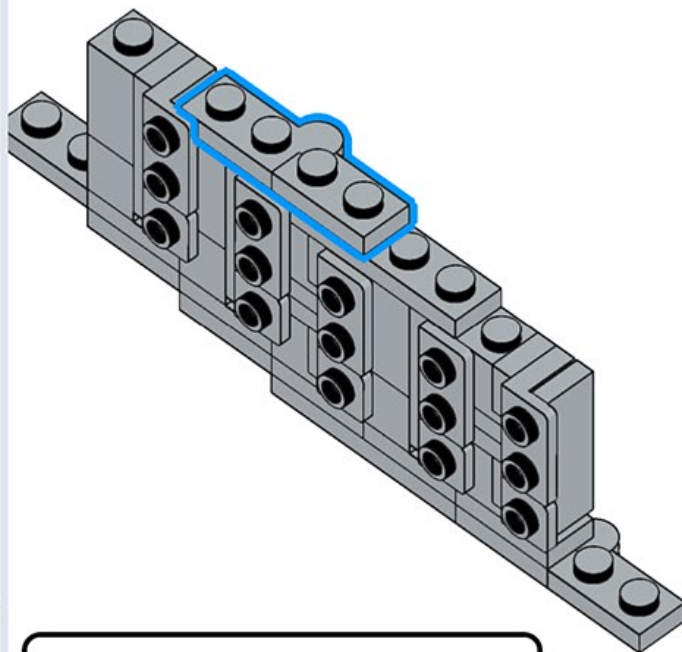
# 227



1x



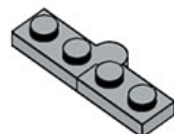
1x



1



2



# 228



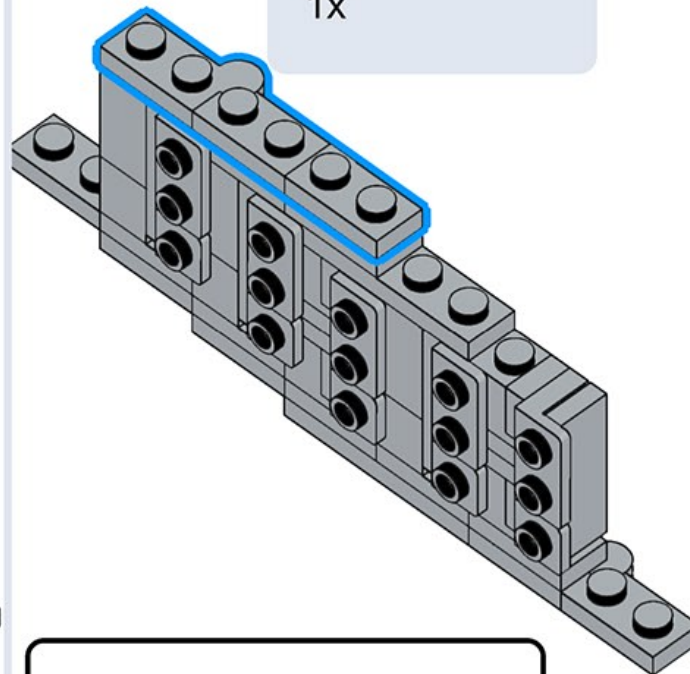
1x



1x



1x



1

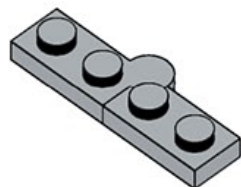
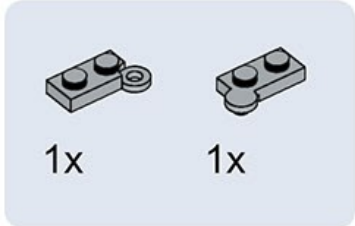


2

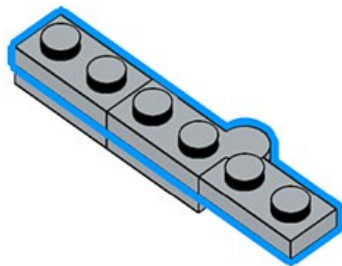
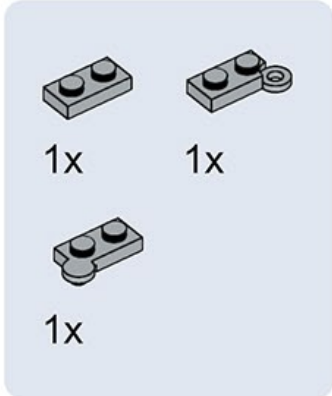




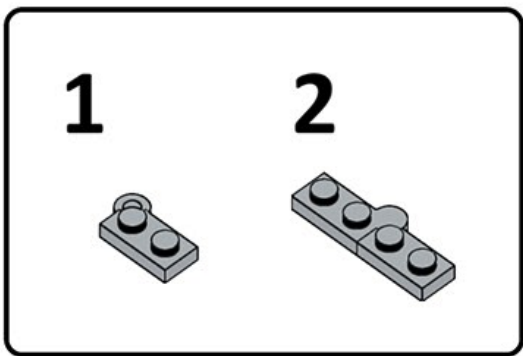
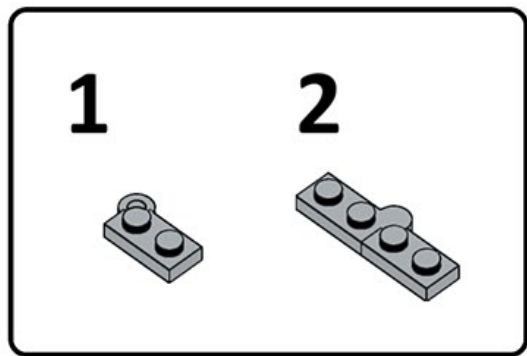
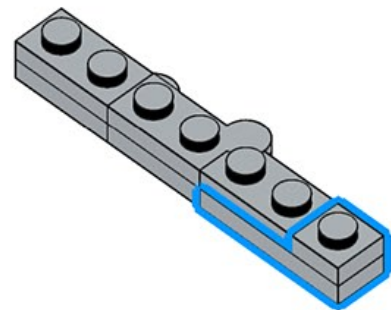
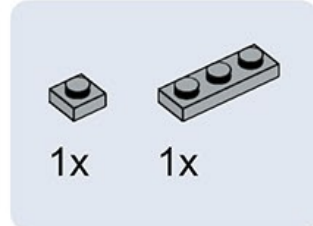
# 229



# 230



# 231





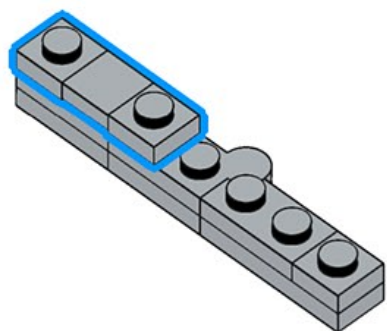
# 232



1x



2x



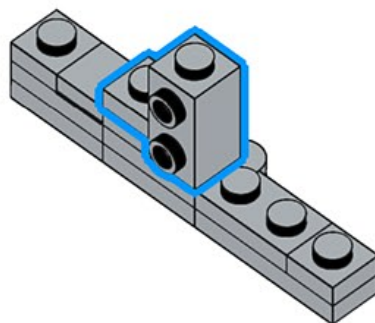
# 233



1x



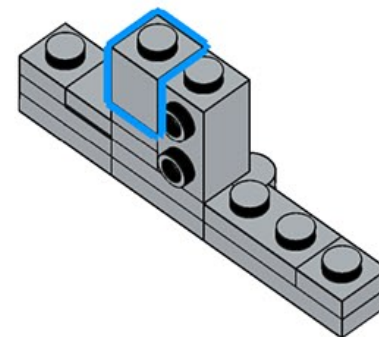
1x



# 234

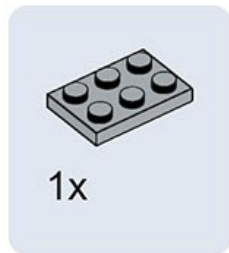


1x

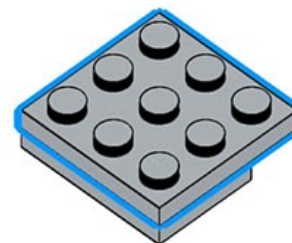
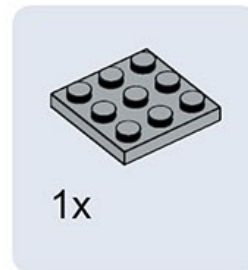




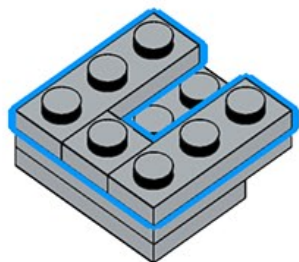
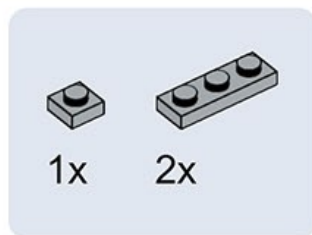
# 235



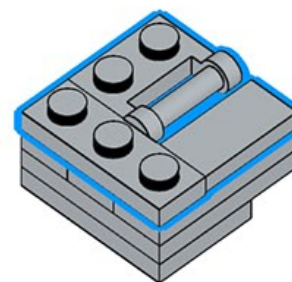
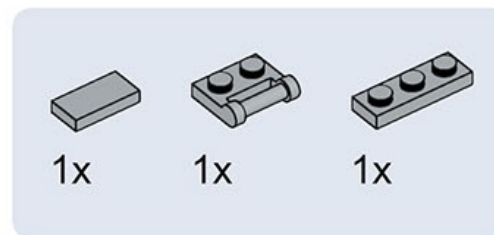
# 236



# 237

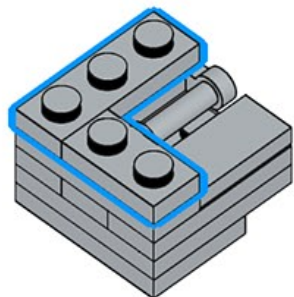
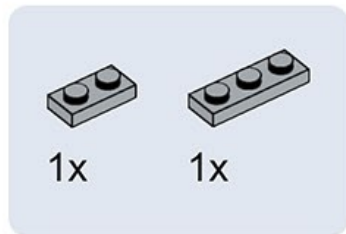


# 238

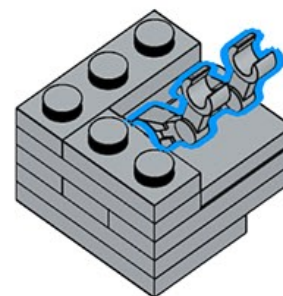




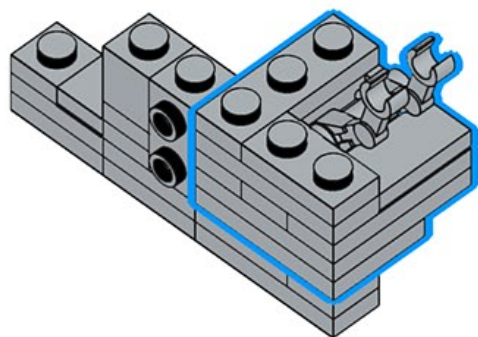
# 239



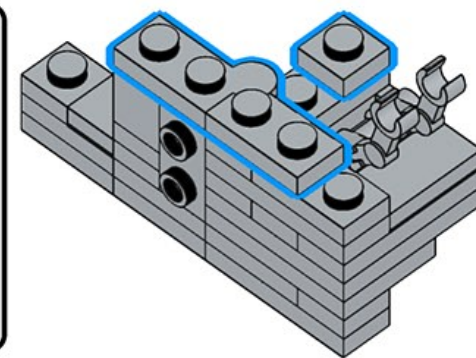
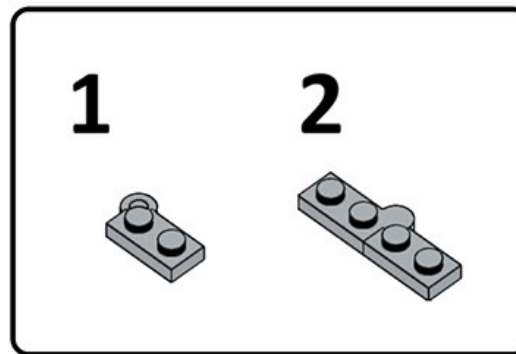
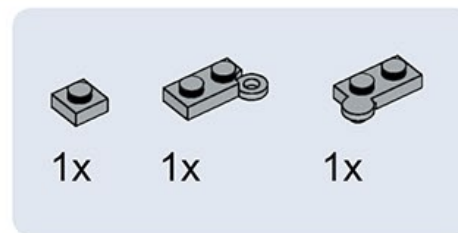
# 240



# 241

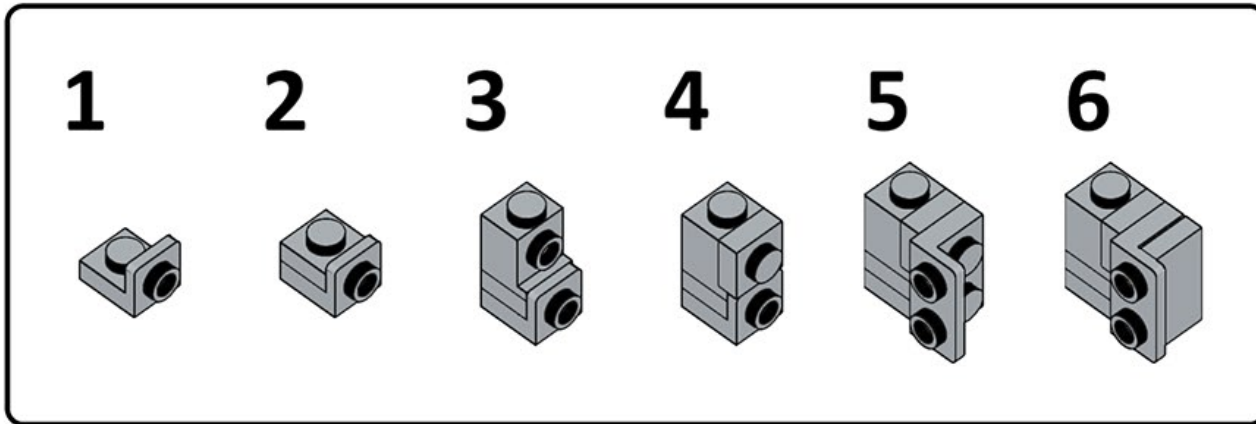
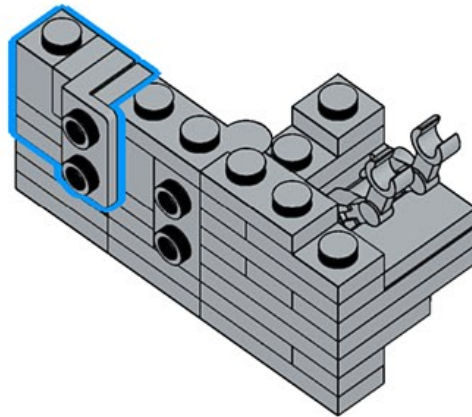
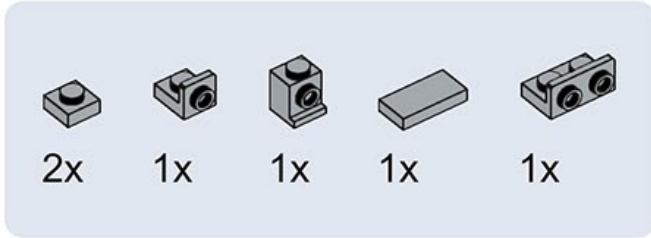


# 242





# 243





# 244



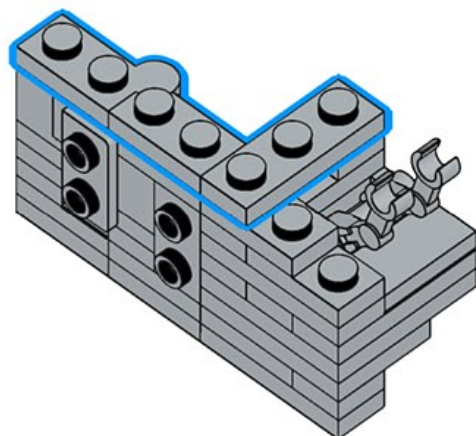
1x



1x



1x



1



2



# 245



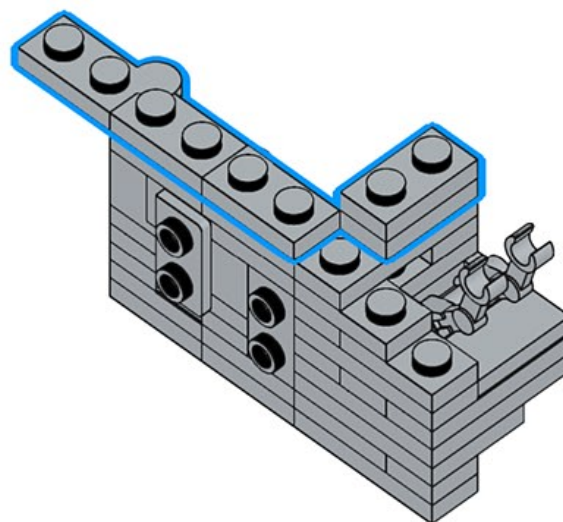
3x



1x



1x



1

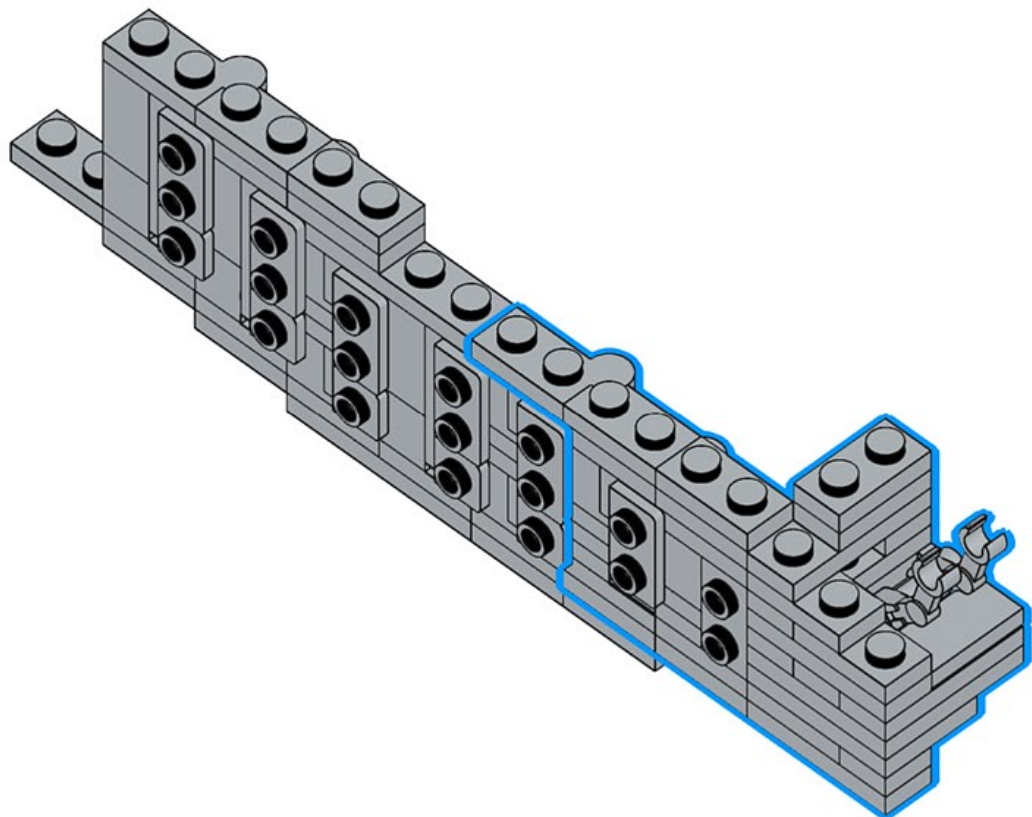


2

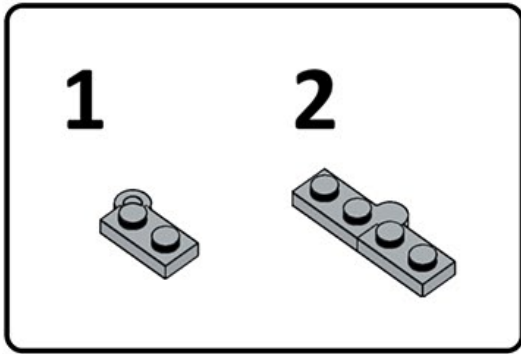
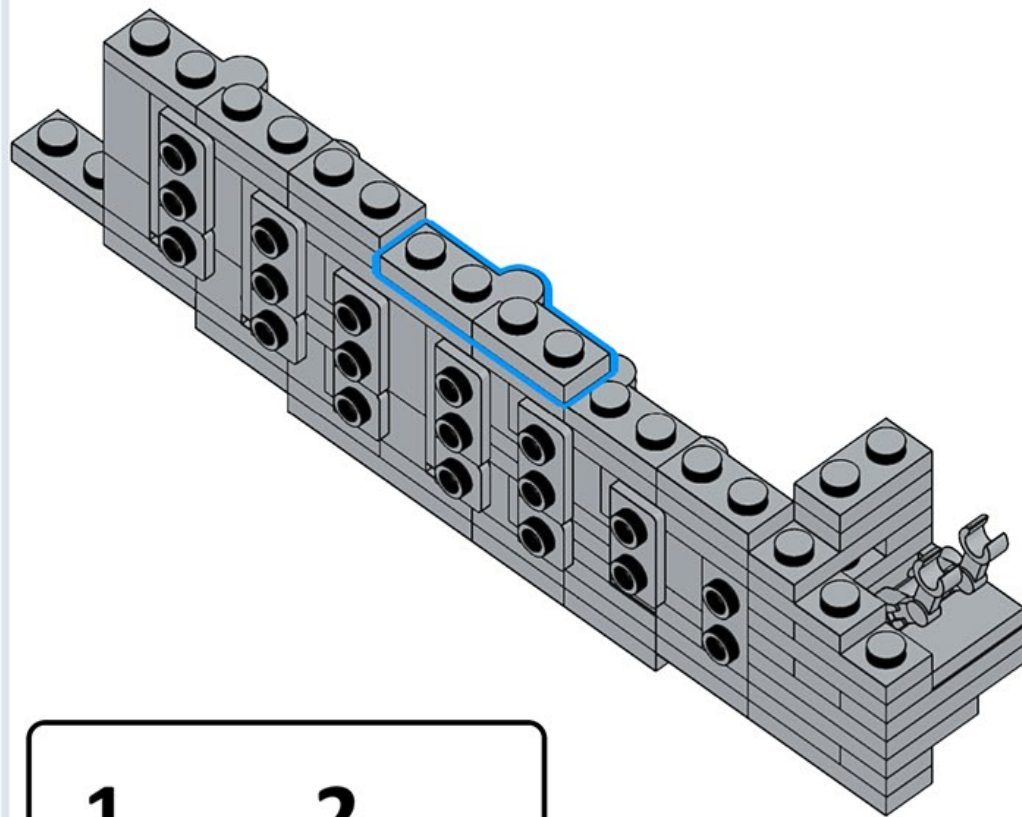
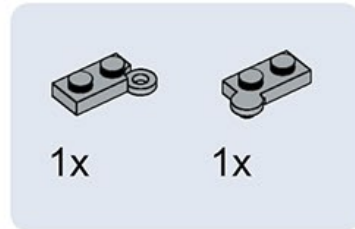




# 246



# 247



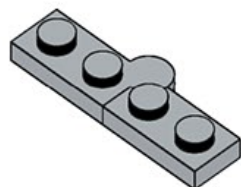


# 248



1x

1x



1



2



# 249

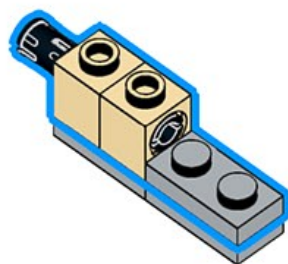


1x

2x



1x



1



2



3



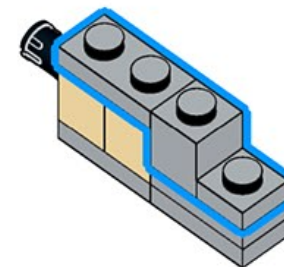
# 250



1x

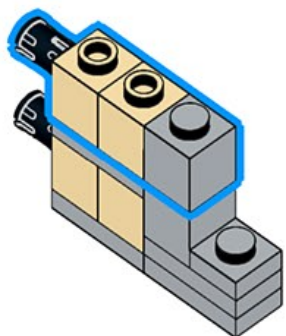
1x

1x

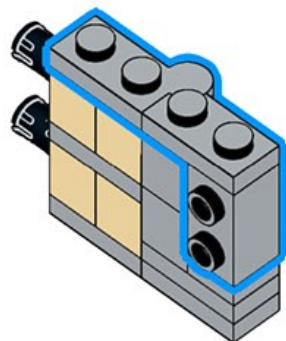
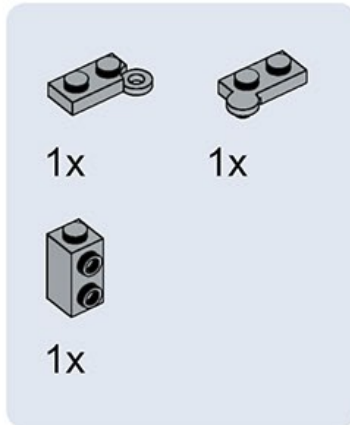




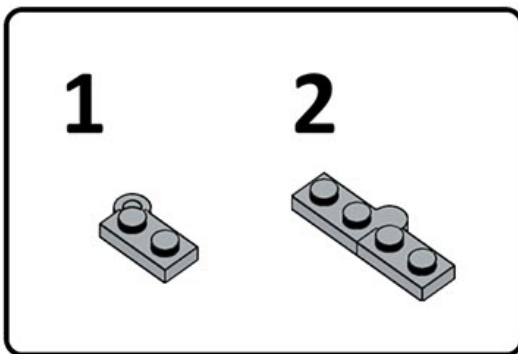
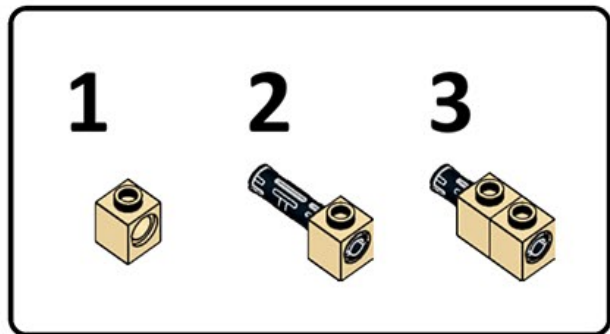
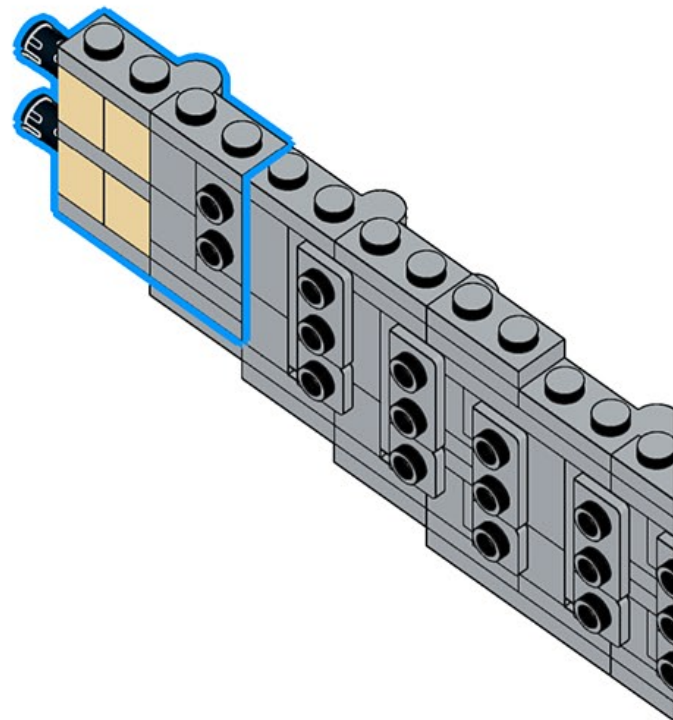
# 251



# 252

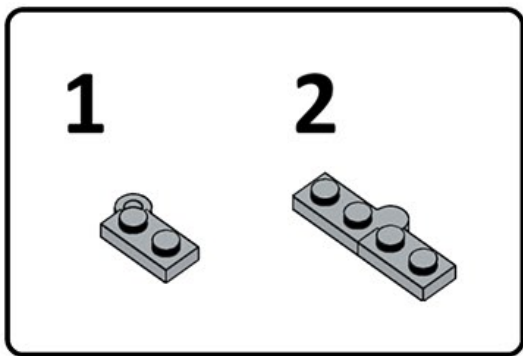
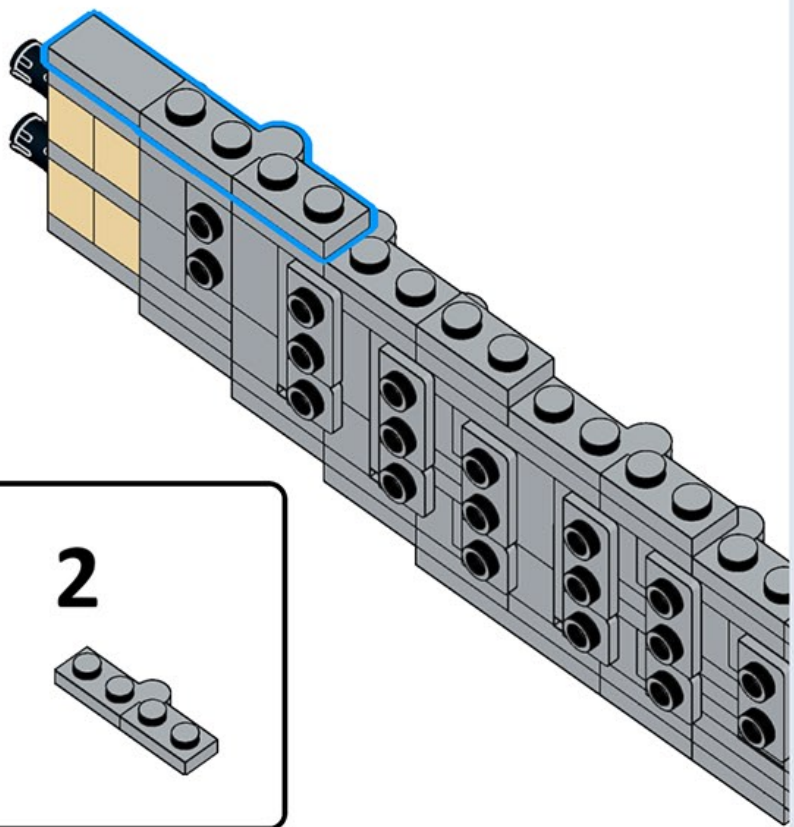
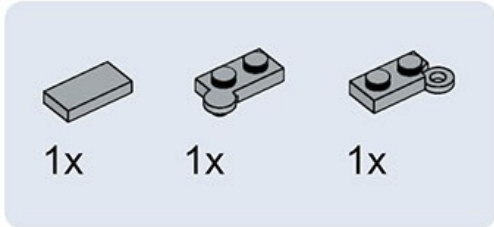


# 253

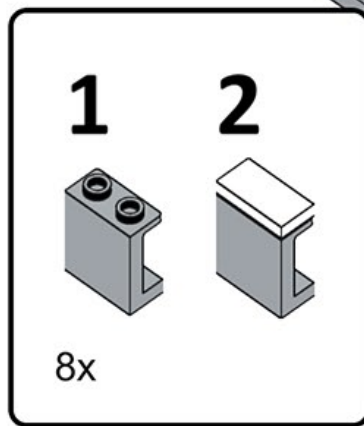
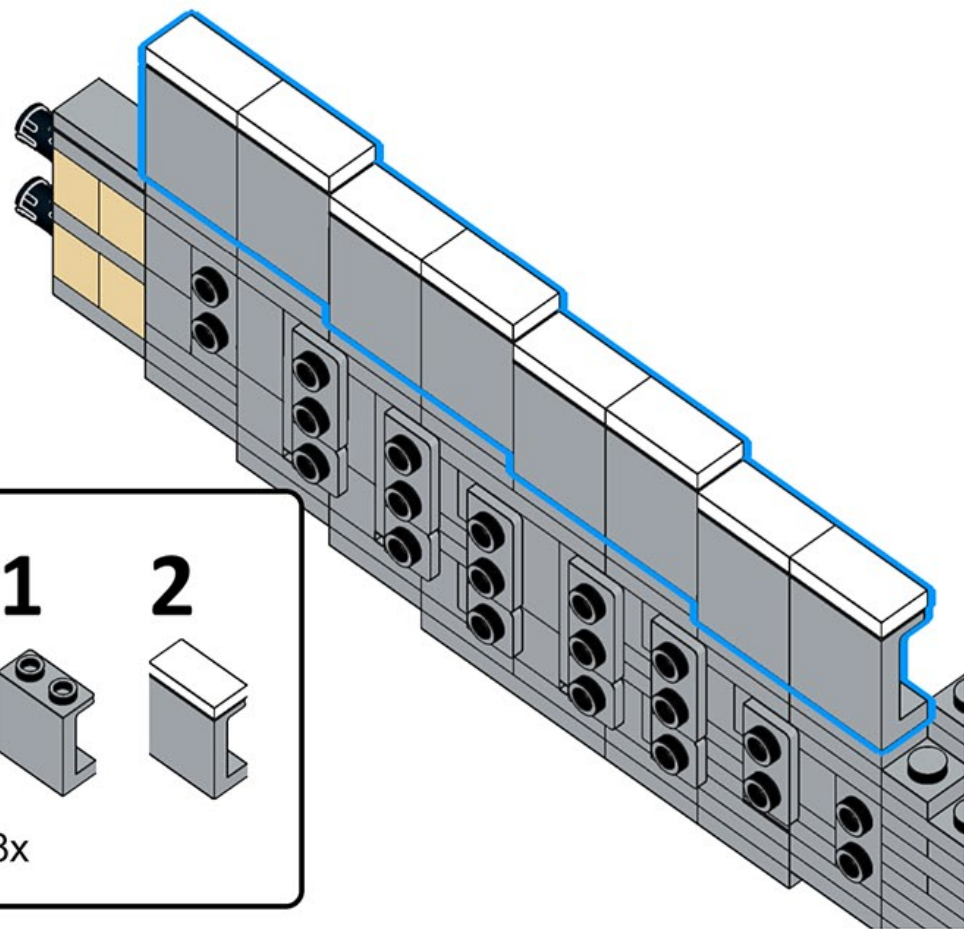
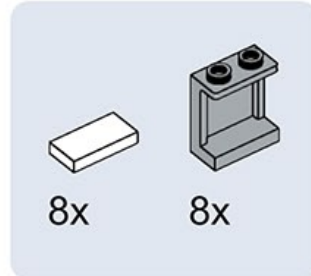




# 254

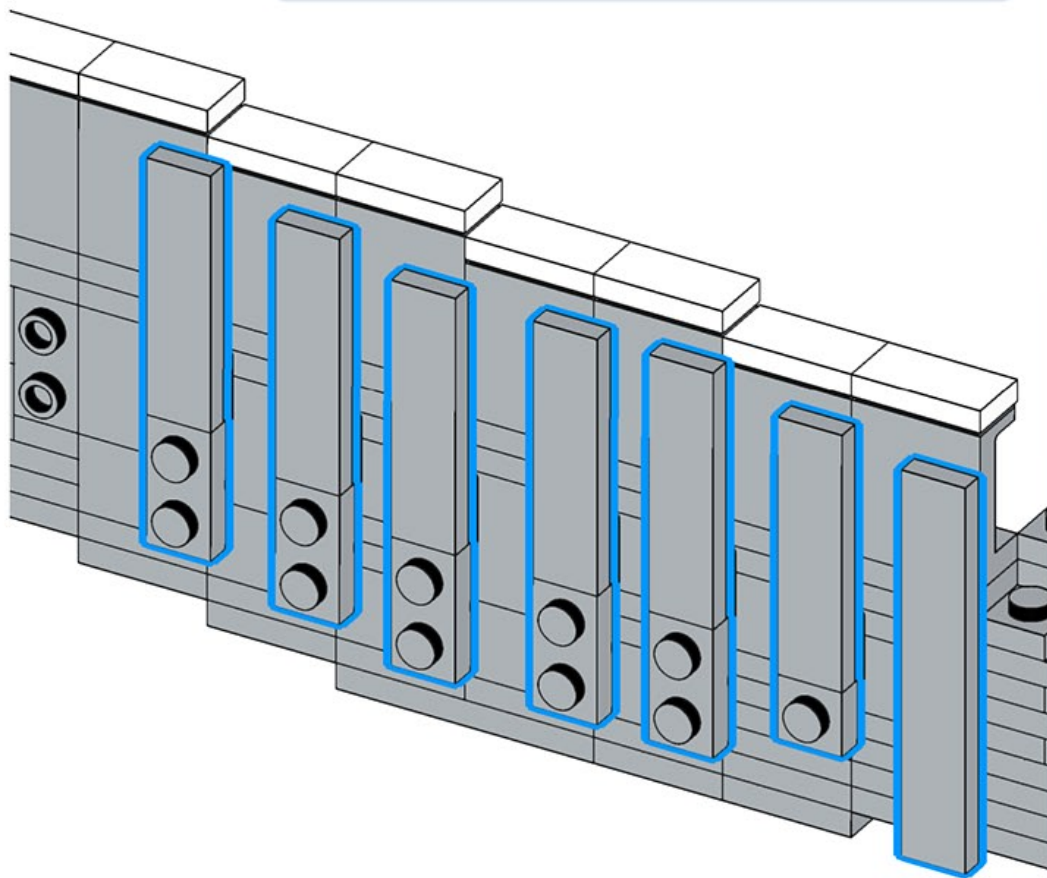
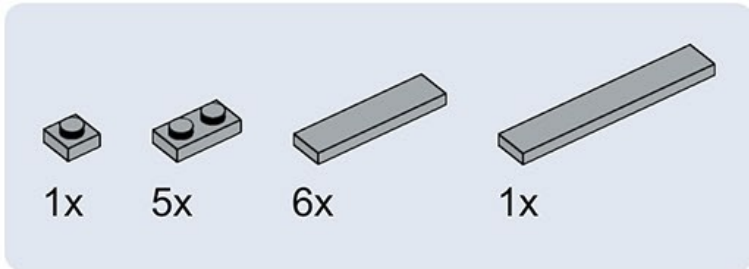


# 255

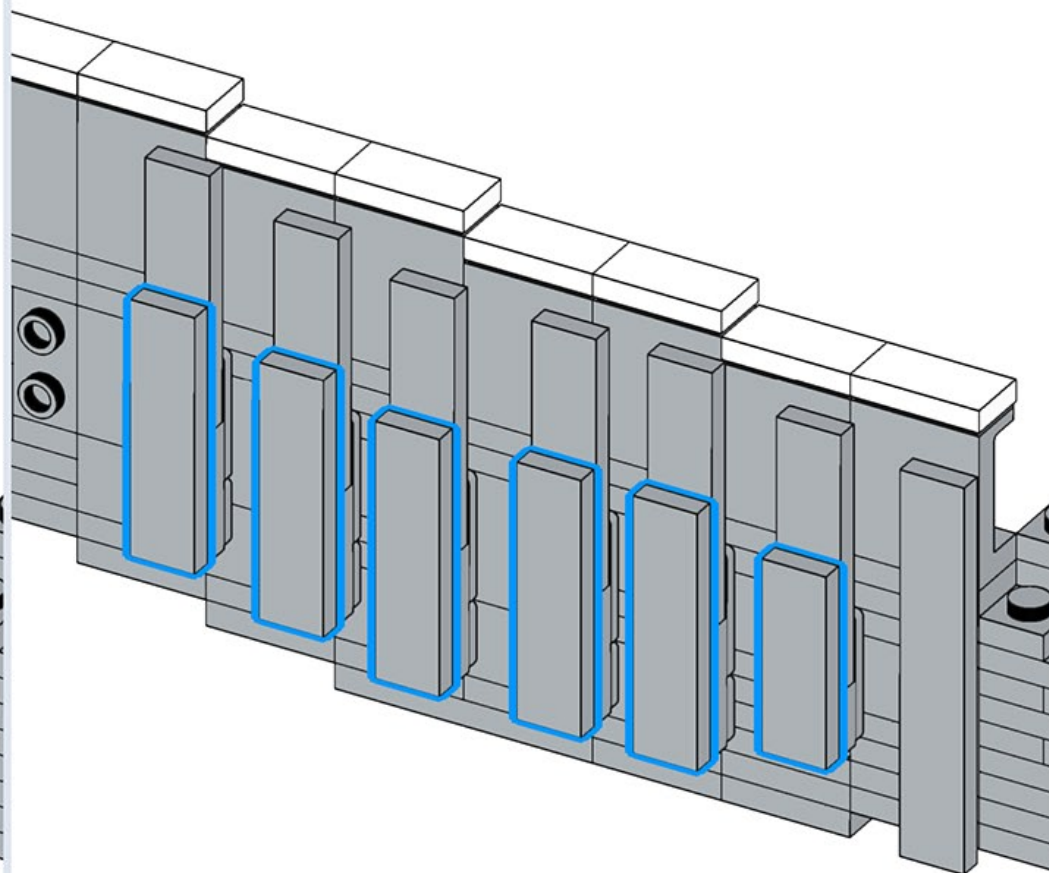
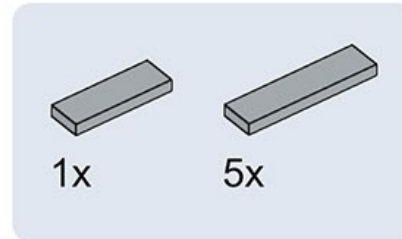




# 256

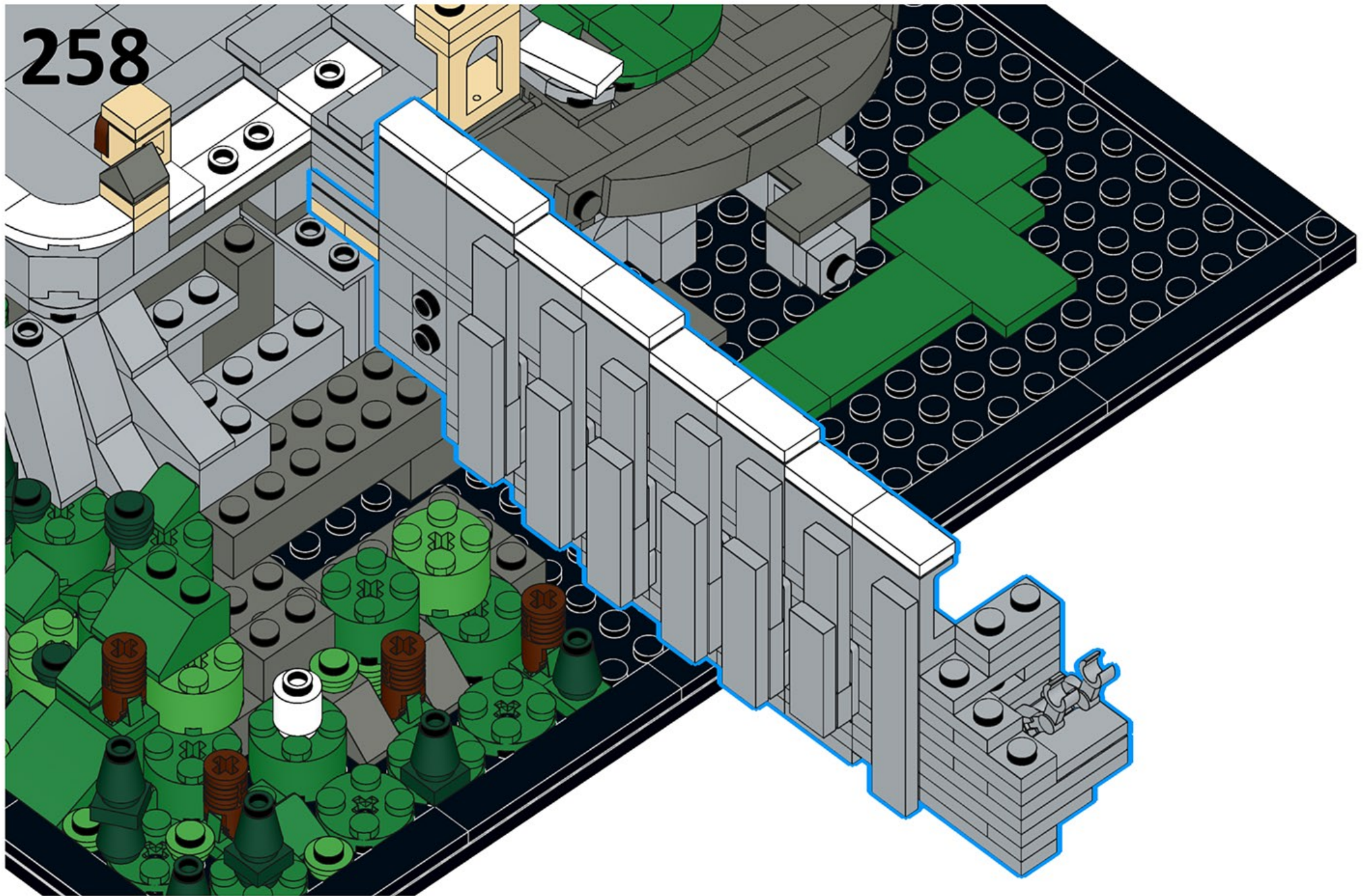


# 257



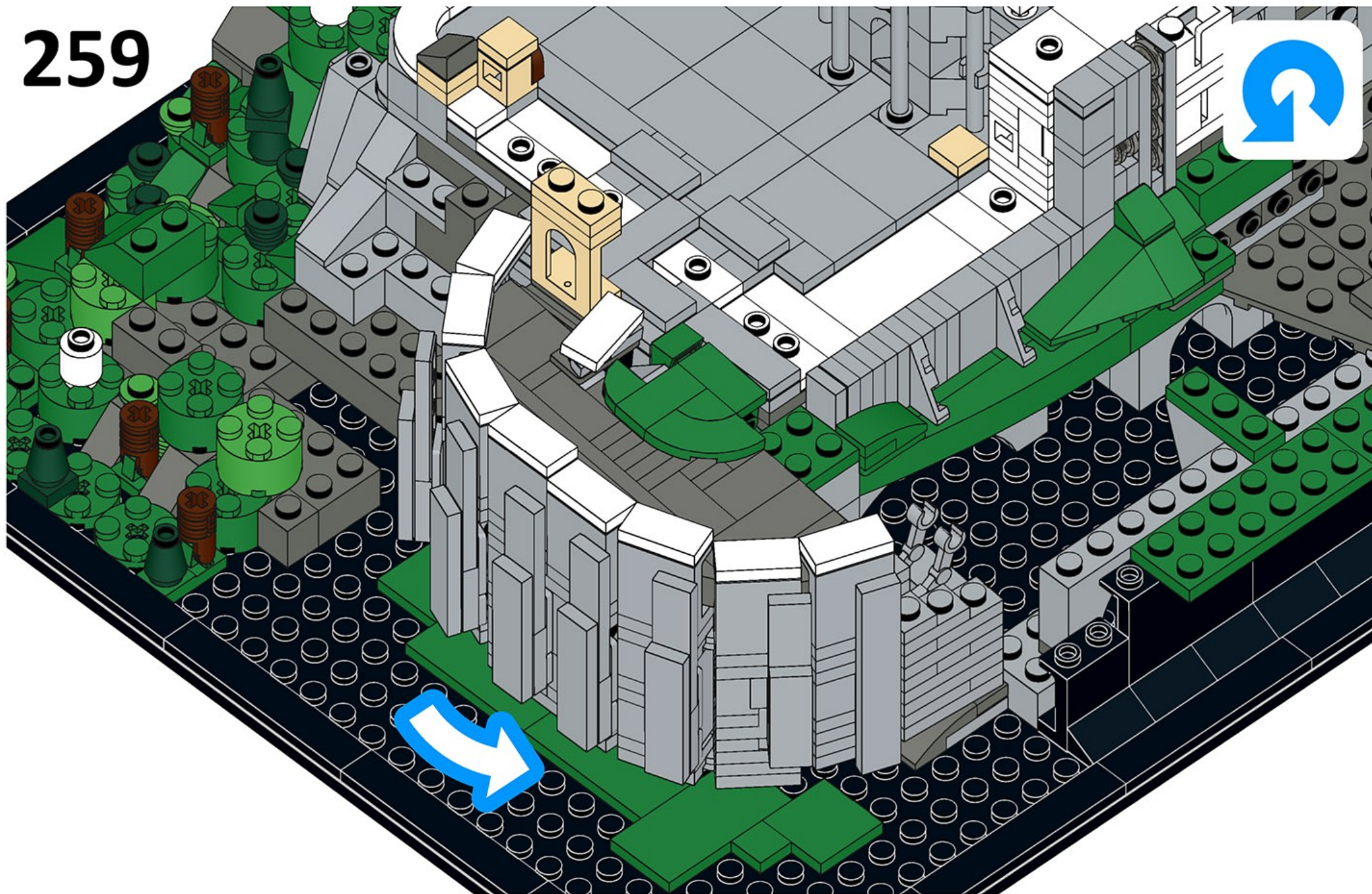


258



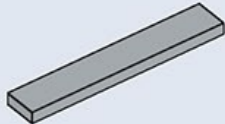


259

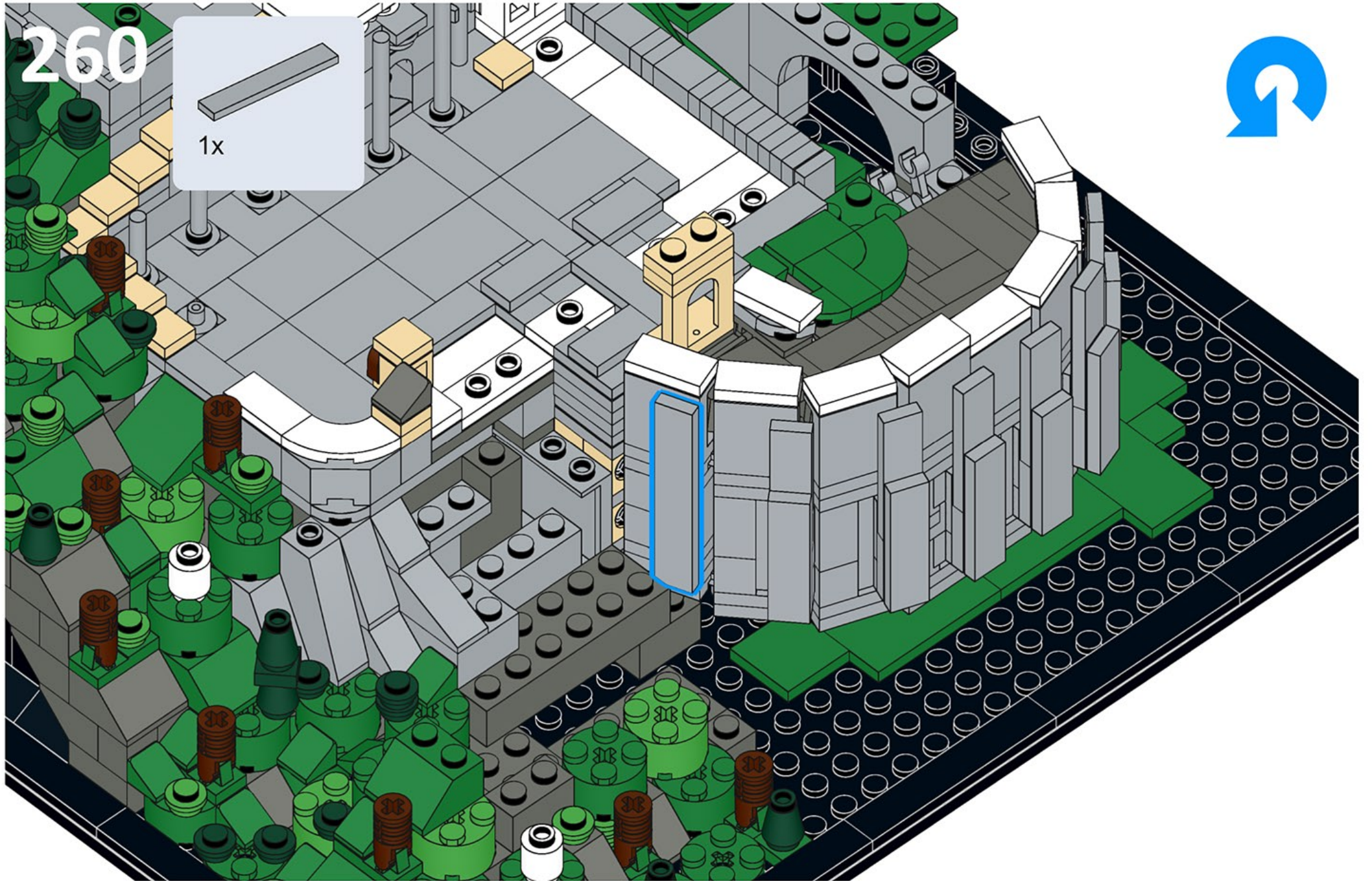




260



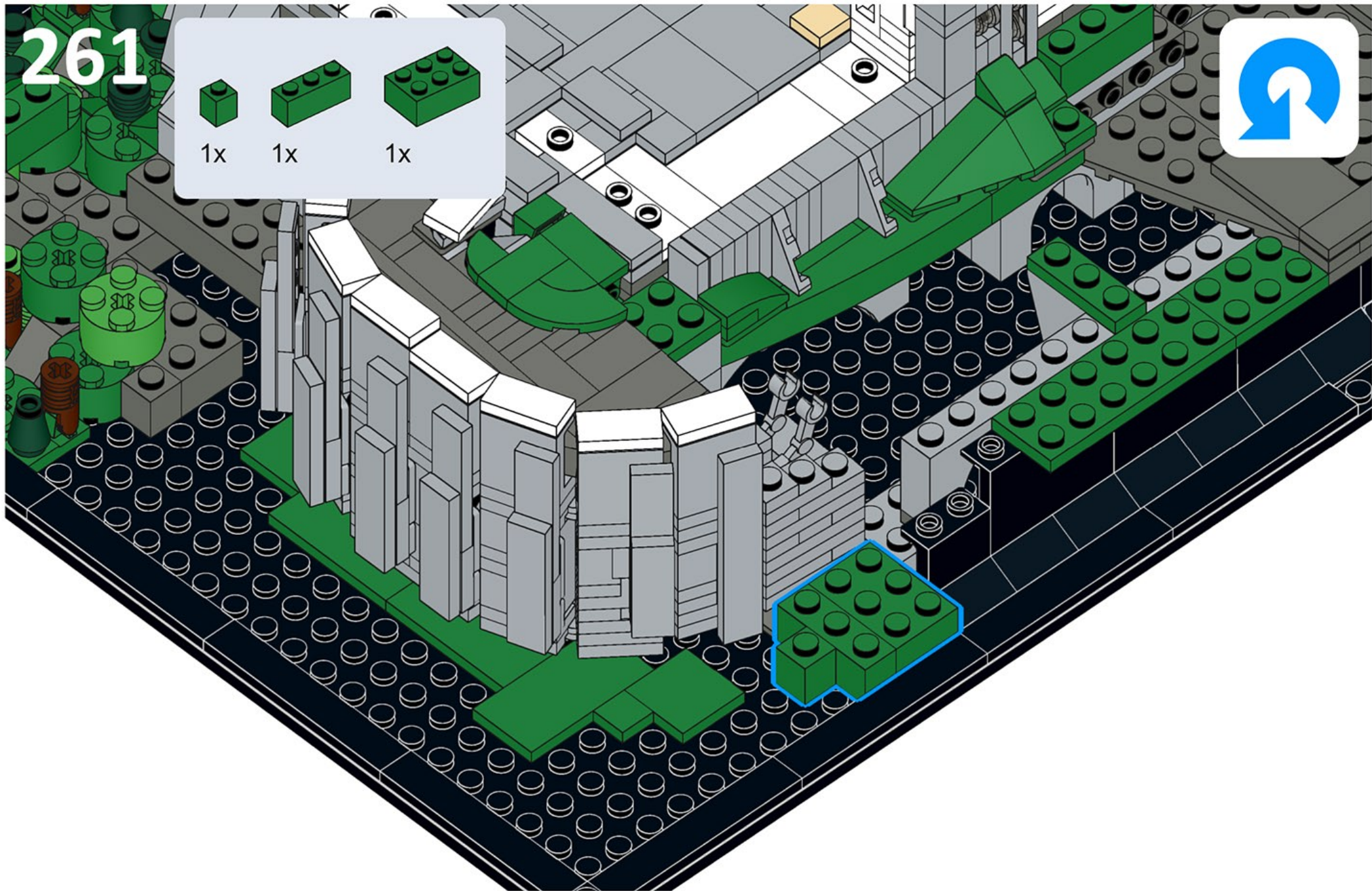
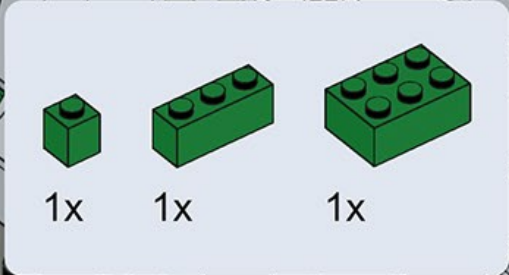
1x





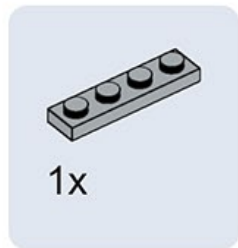
261

1x 1x 1x

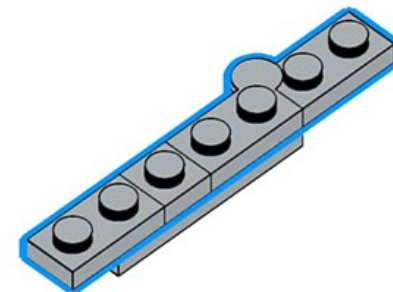
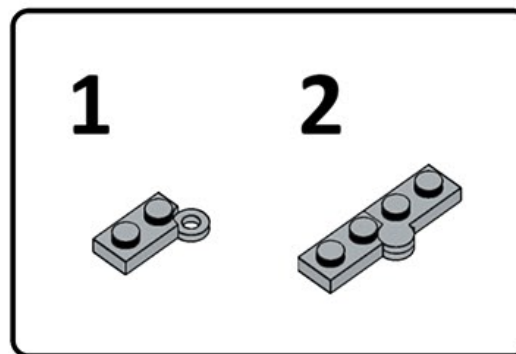
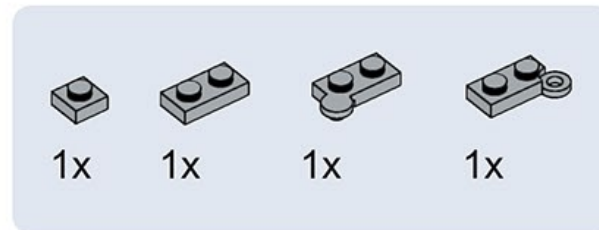




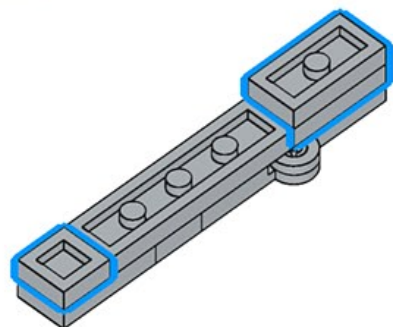
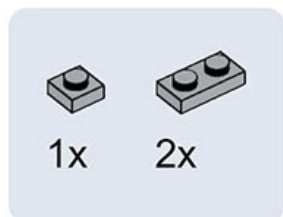
# 262



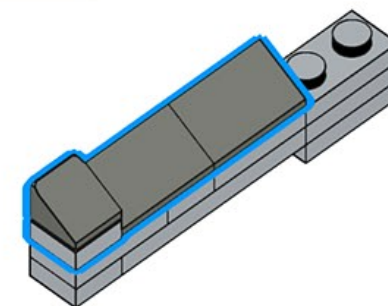
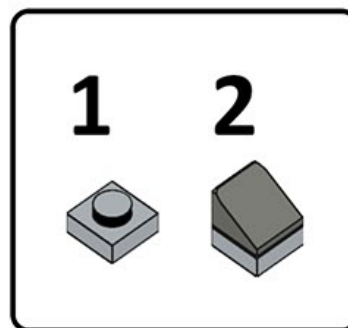
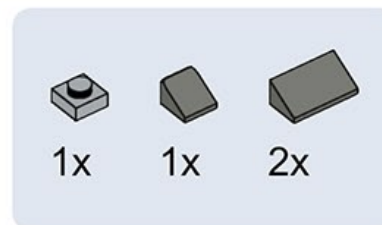
# 263



# 264

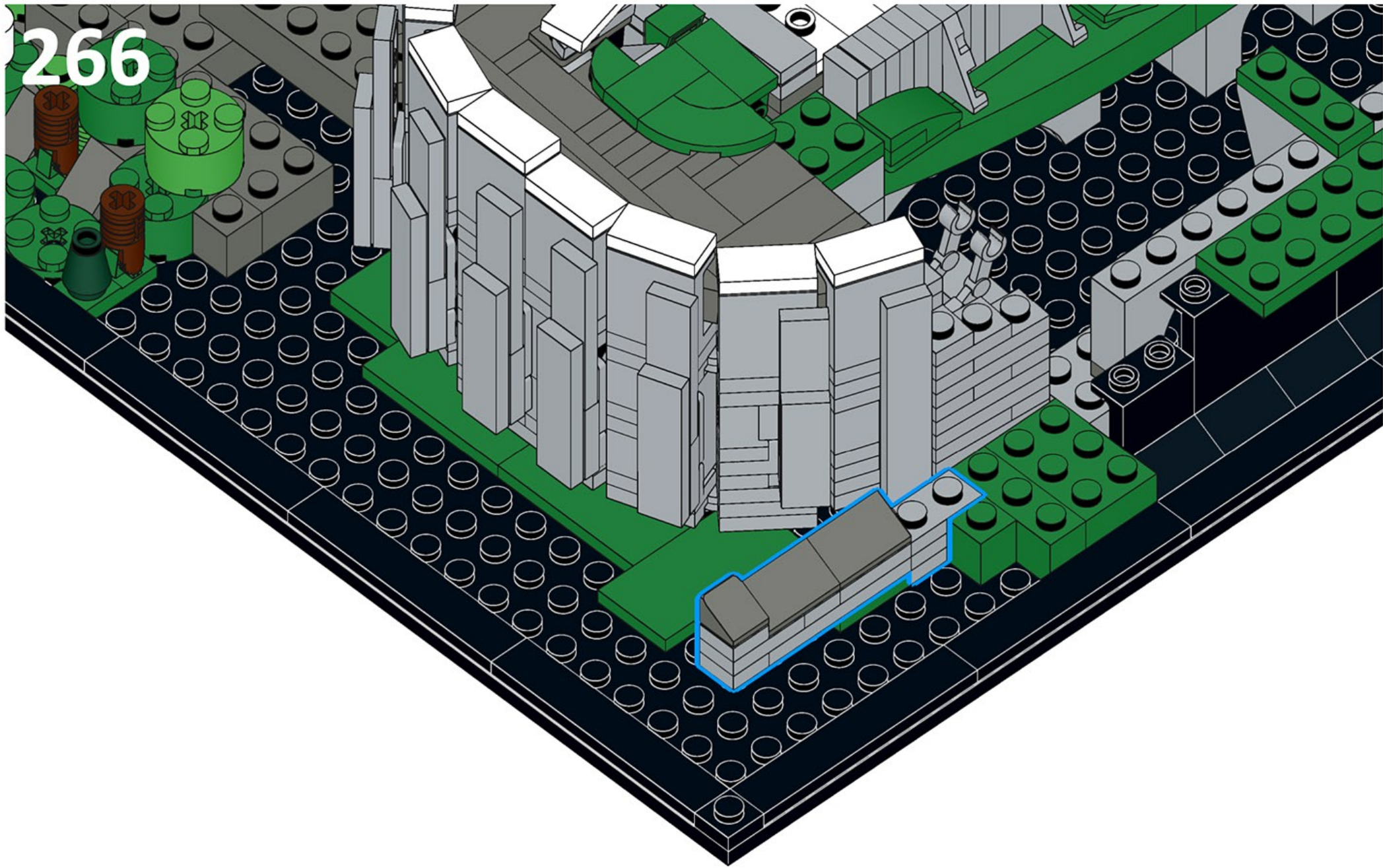


# 265



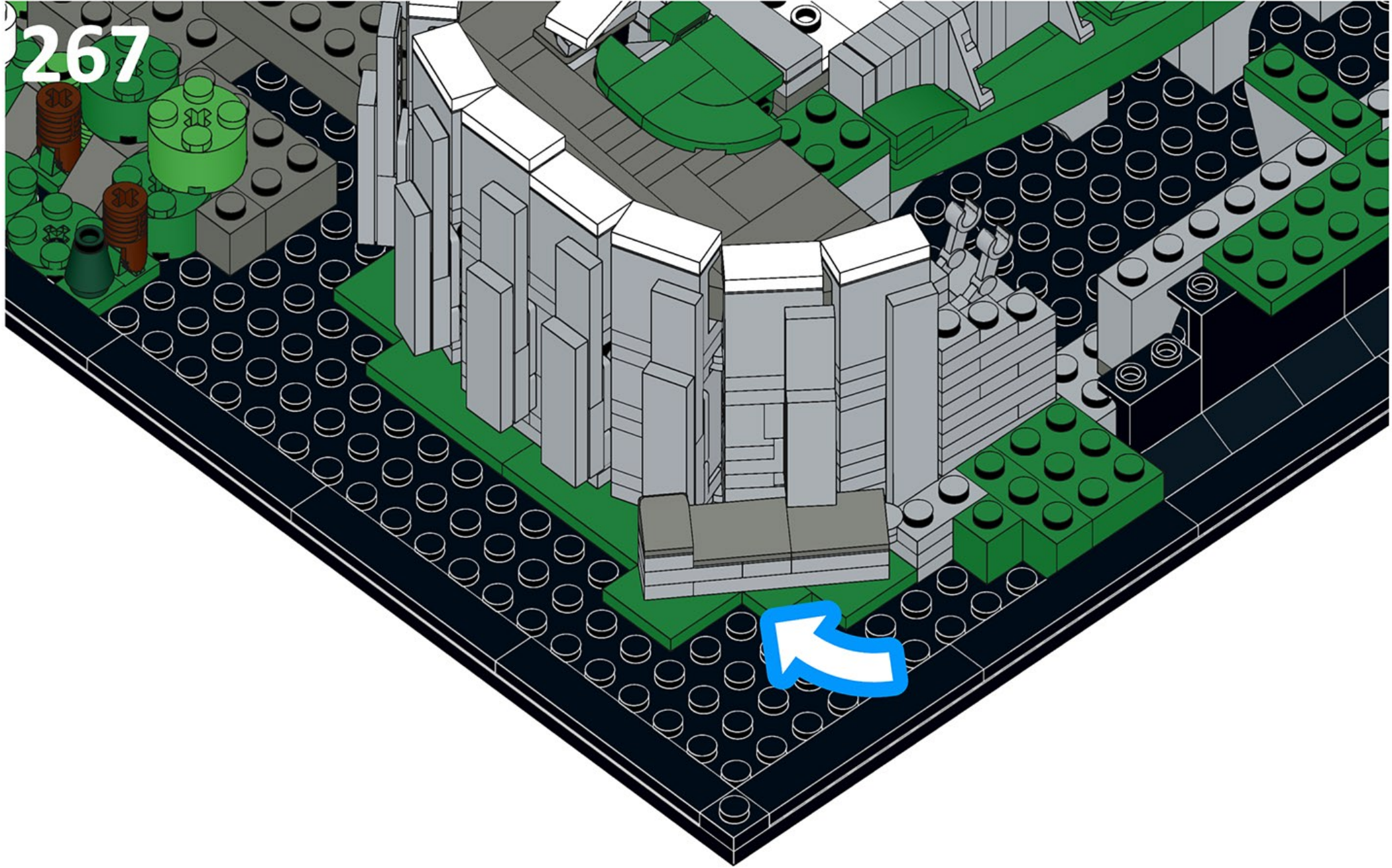


266





267





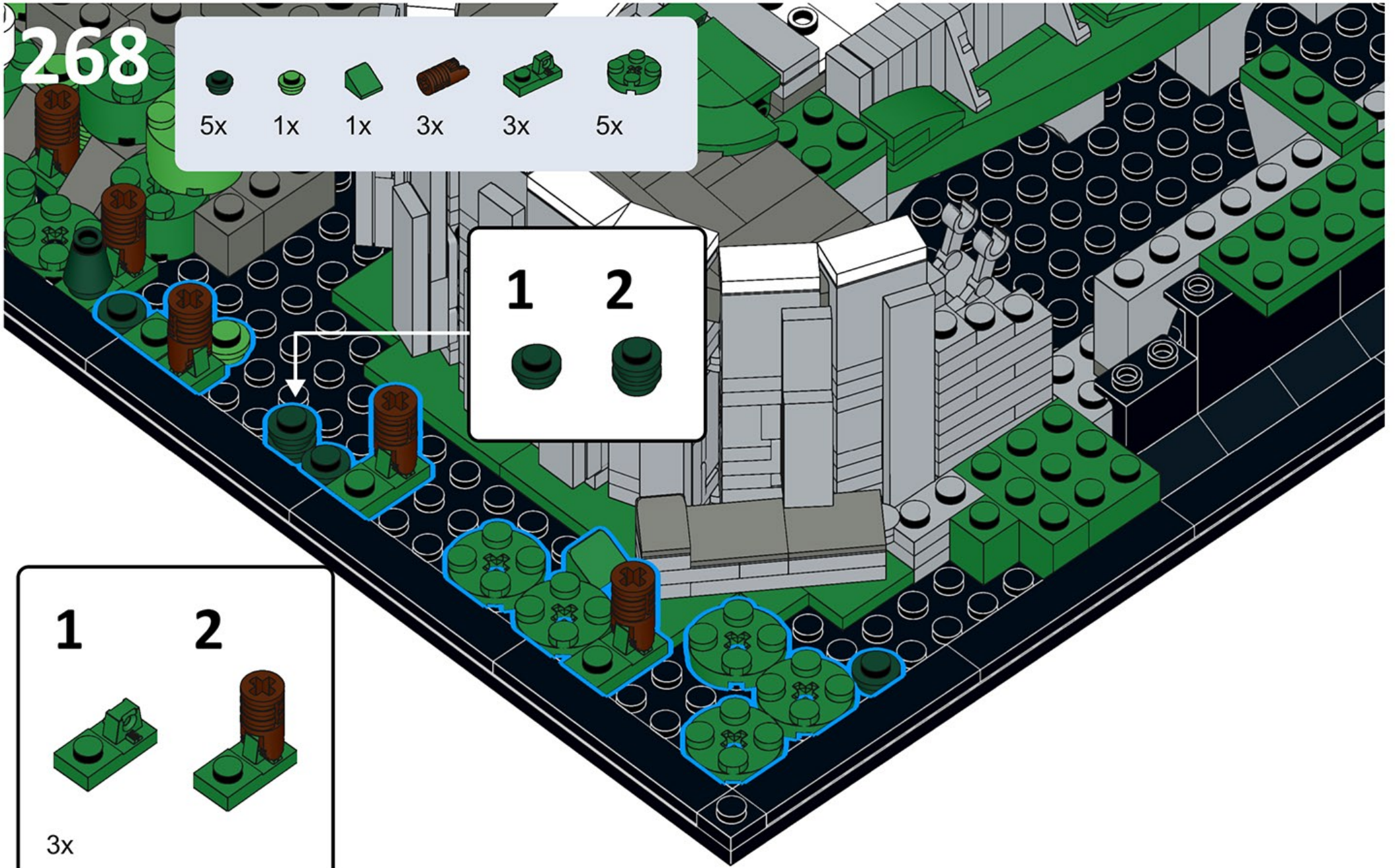
268

5x 1x 1x 3x 3x 5x

1 2

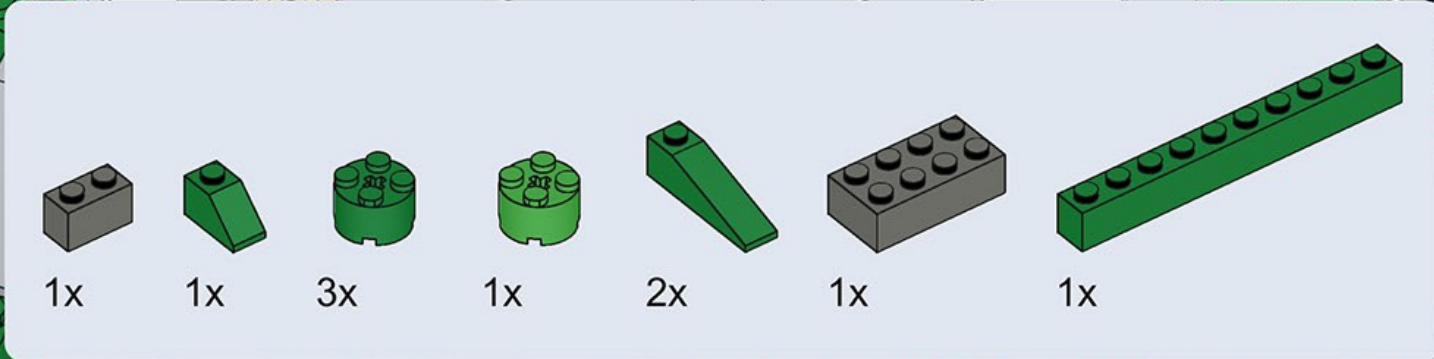
1 2

3x



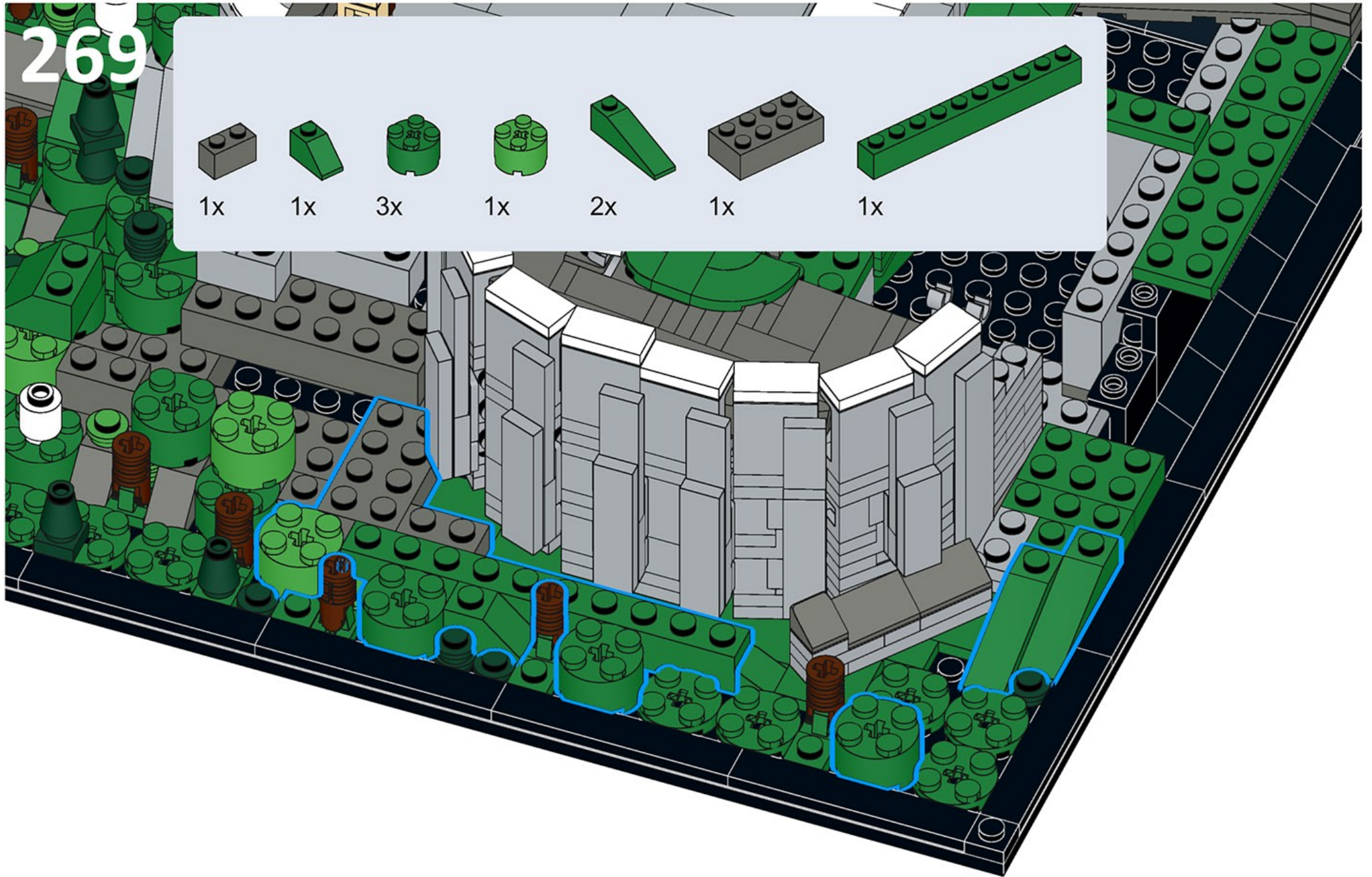


269







1x 1x 3x 1x 2x 1x 1x



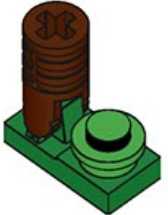
This block contains a list of seven LEGO parts with their respective quantities. From left to right: a grey 1x2 brick (1x), a green 1x2 wedge (1x), three green 1x2 round studs (3x), one green 1x2 round stud (1x), two green 1x2 angled bricks (2x), one grey 1x2 brick (1x), and one green 1x7 Technic beam (1x).





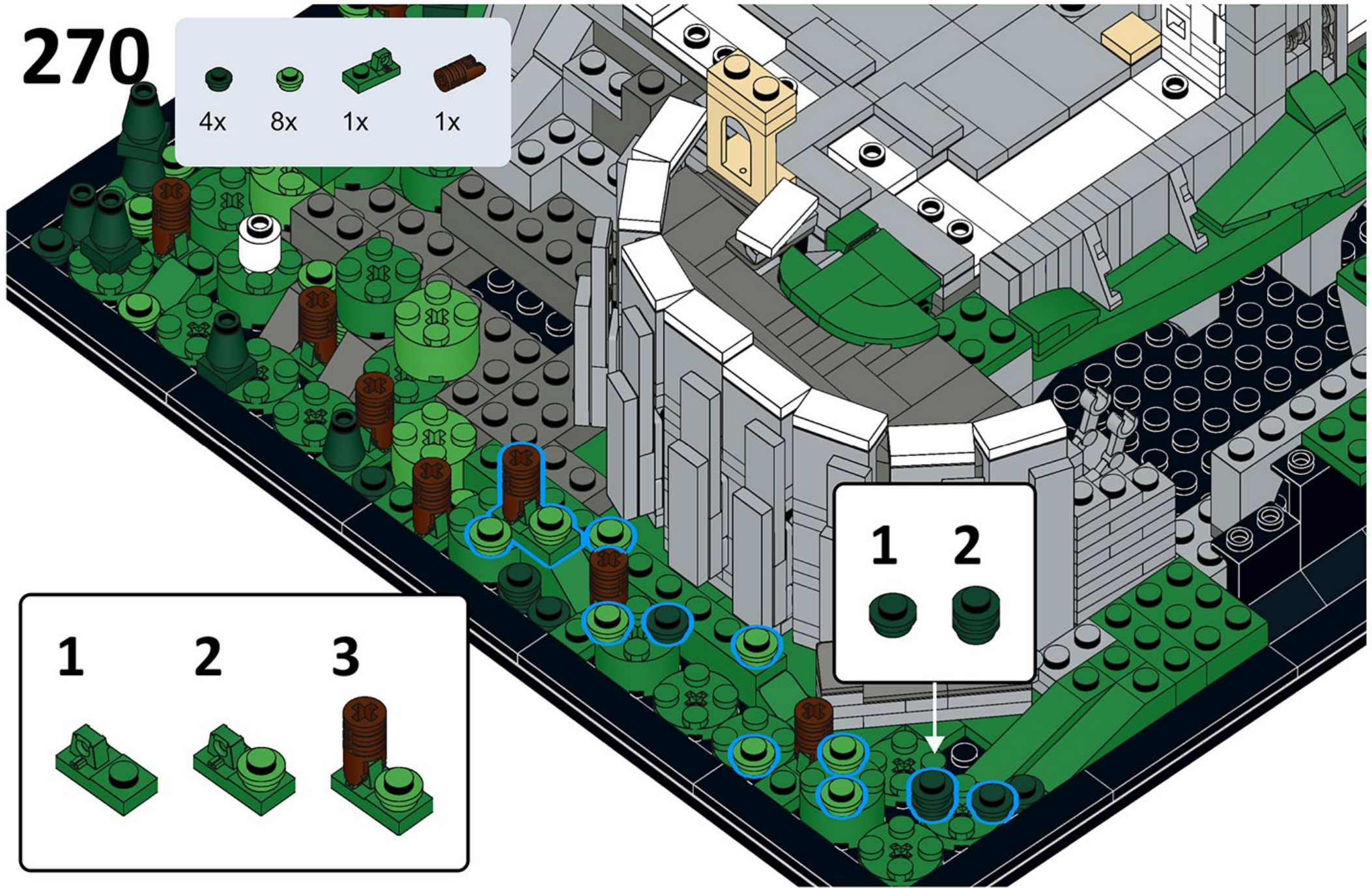


# 270

- 4x 
- 8x 
- 1x 
- 1x 

- 1 
- 2 
- 3 

- 1 
- 2 





# 271

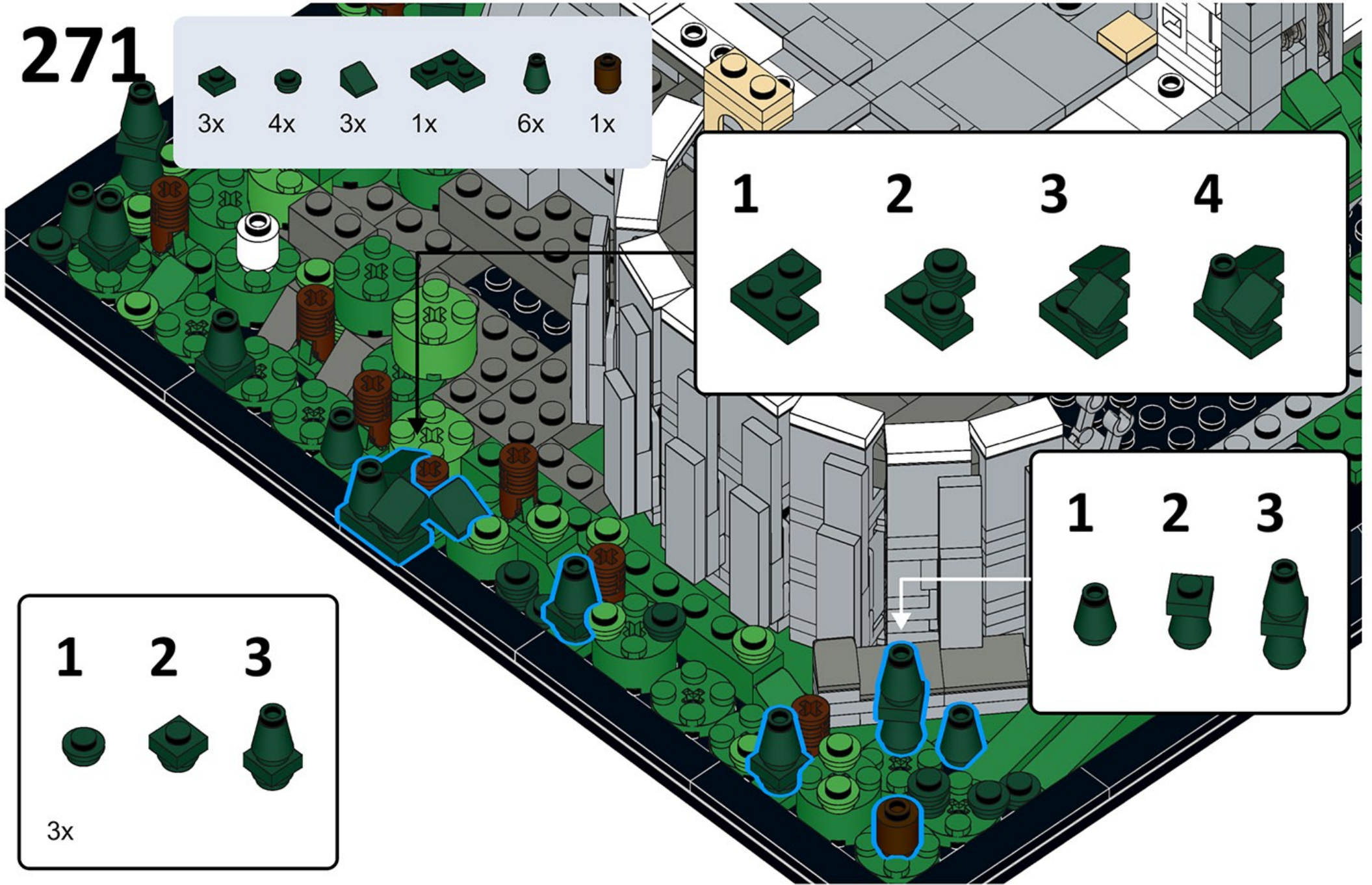
3x 4x 3x 1x 6x 1x

1 2 3 4

1 2 3

1 2 3

3x





272



2x



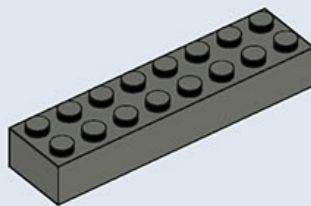
1x



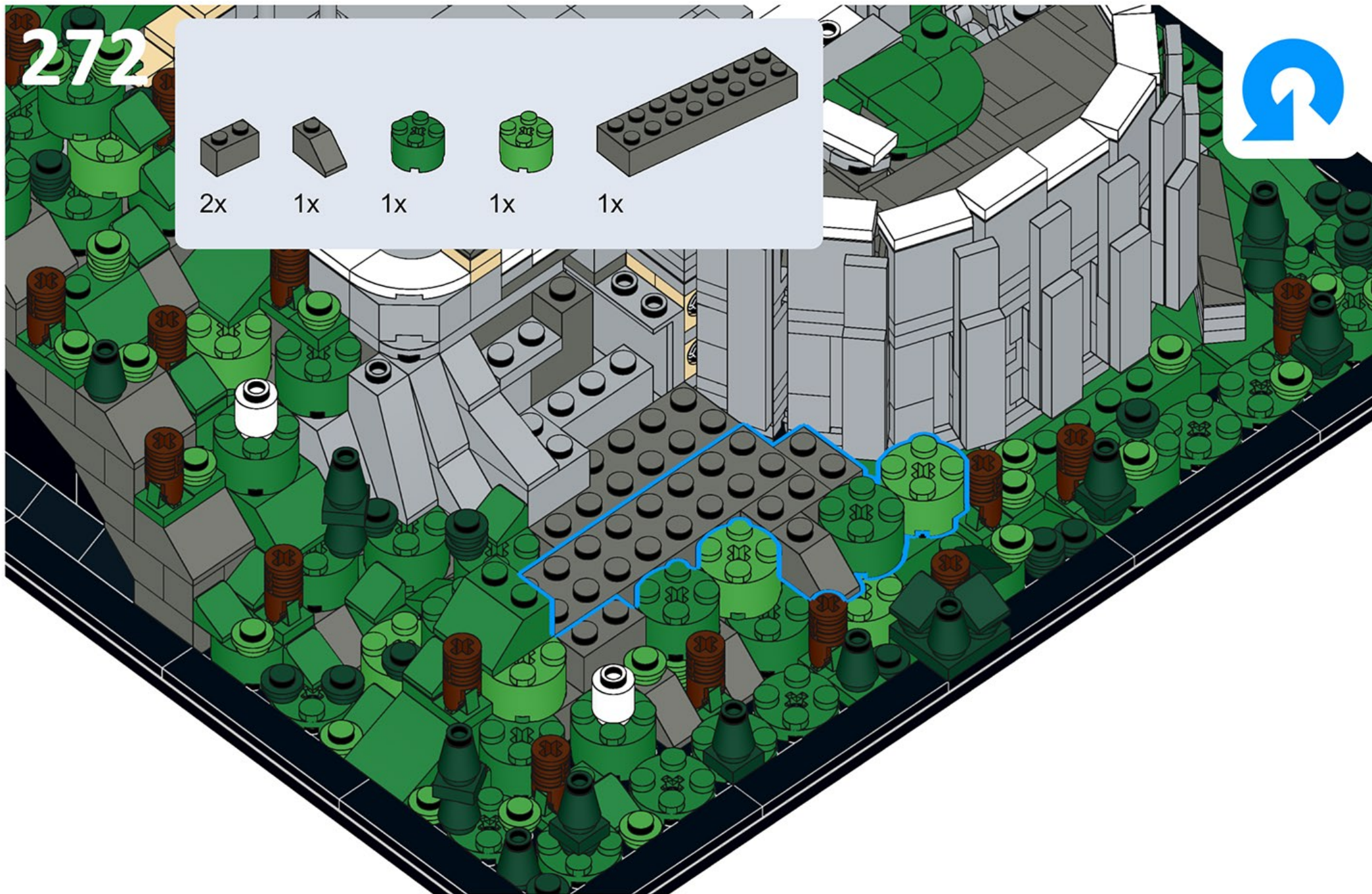
1x



1x



1x





# 273



2x



1x



2x



2x

1



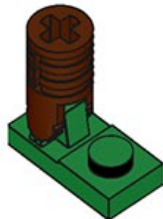
2



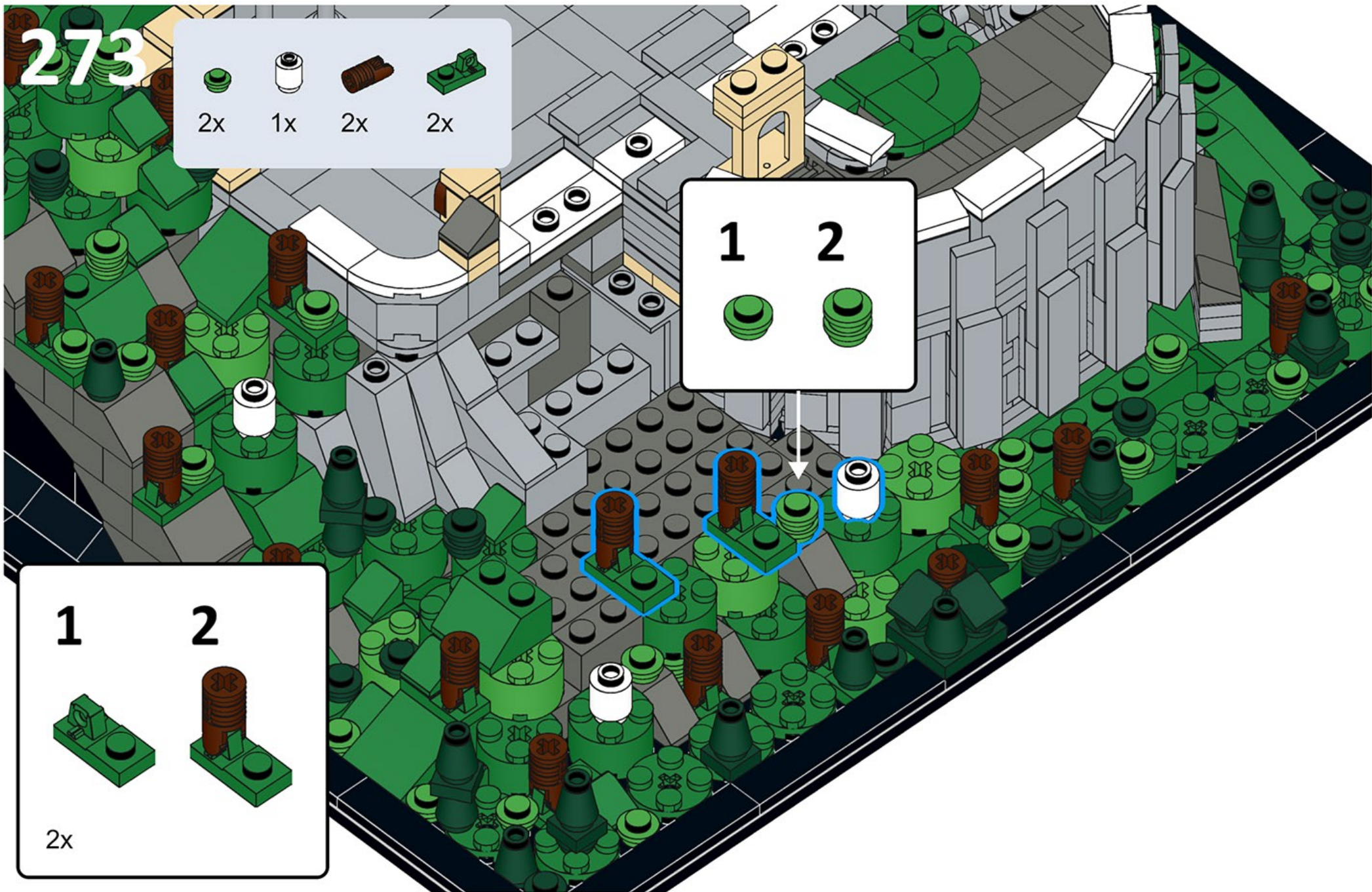
1



2



2x





274



1x



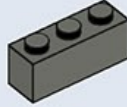
1x



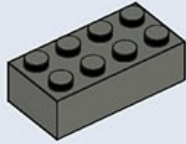
2x



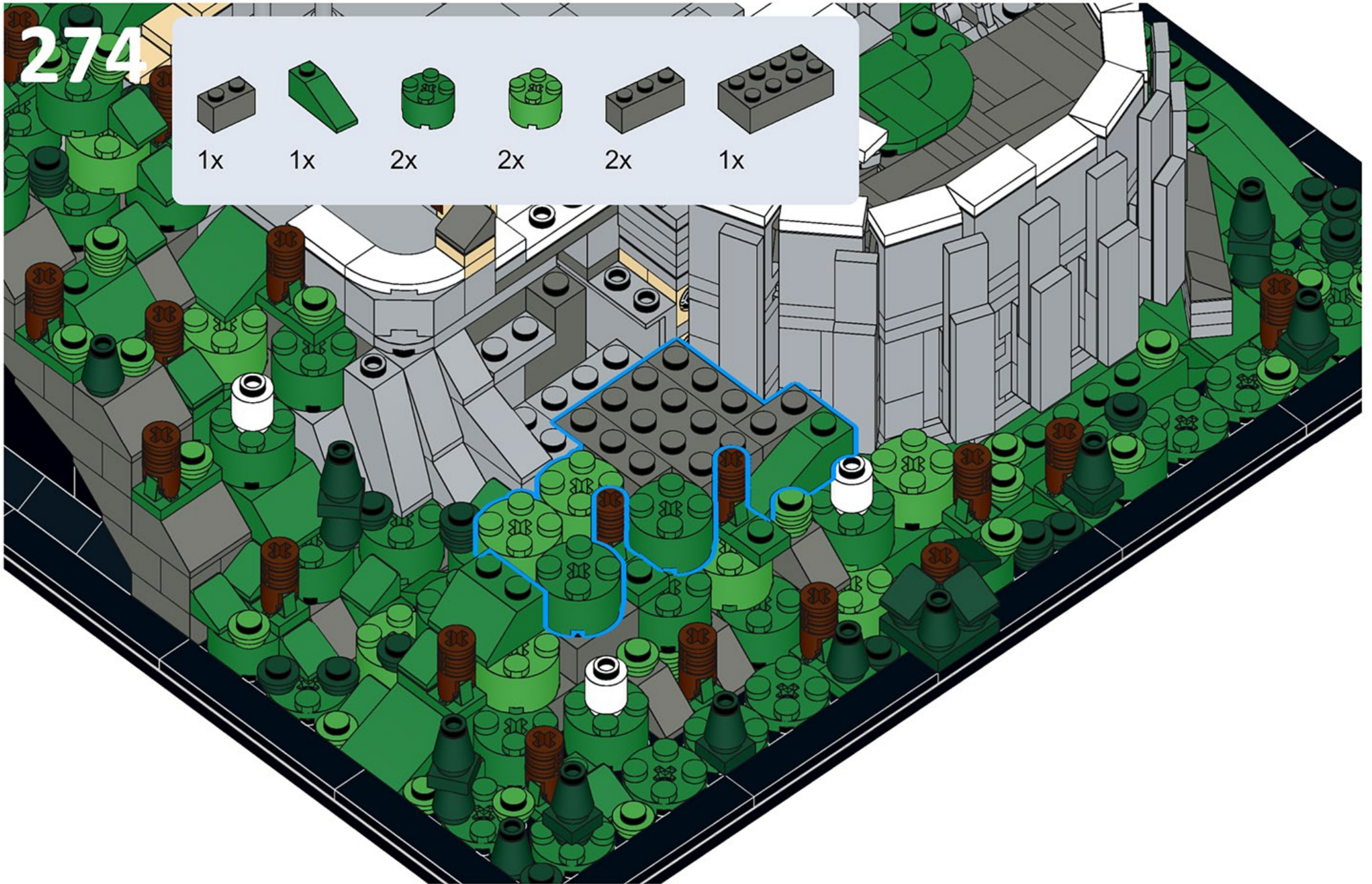
2x



2x



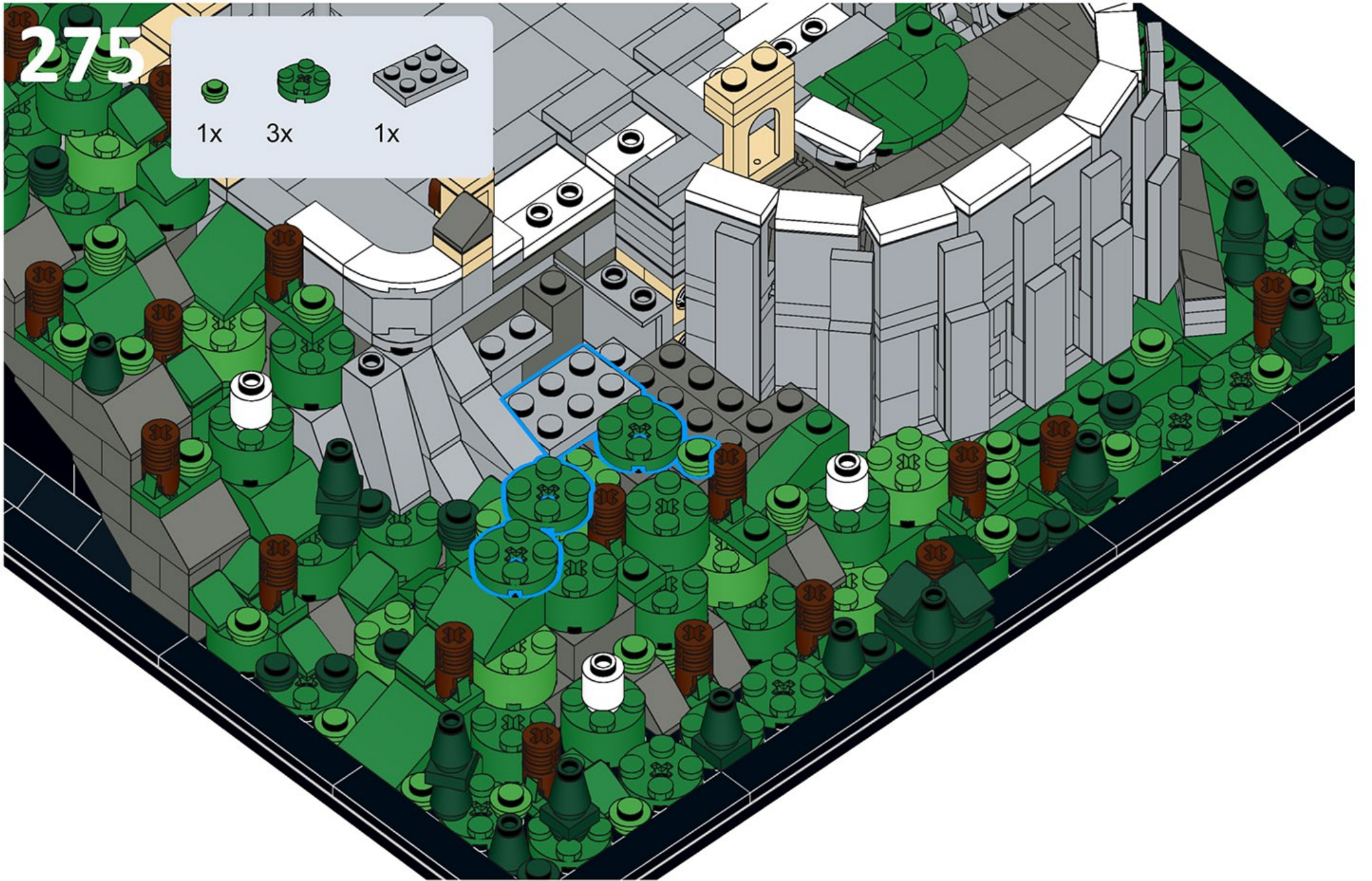
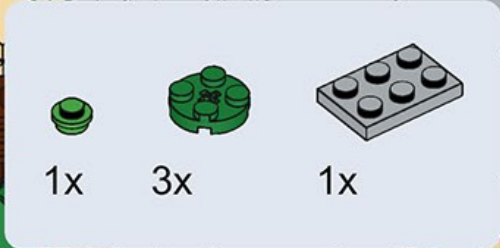
1x





275

1x 3x 1x





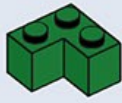
276



1x



1x



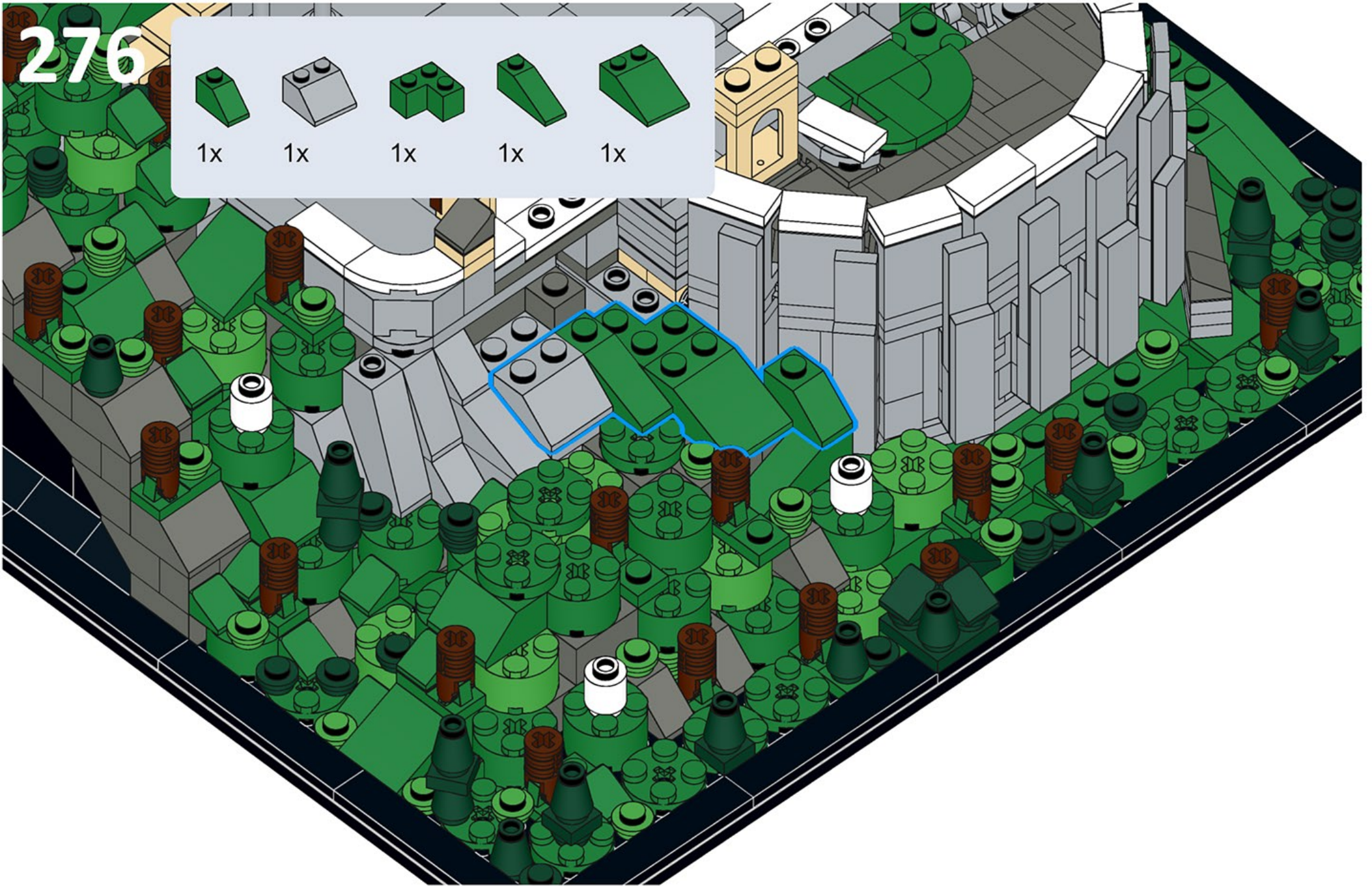
1x



1x



1x





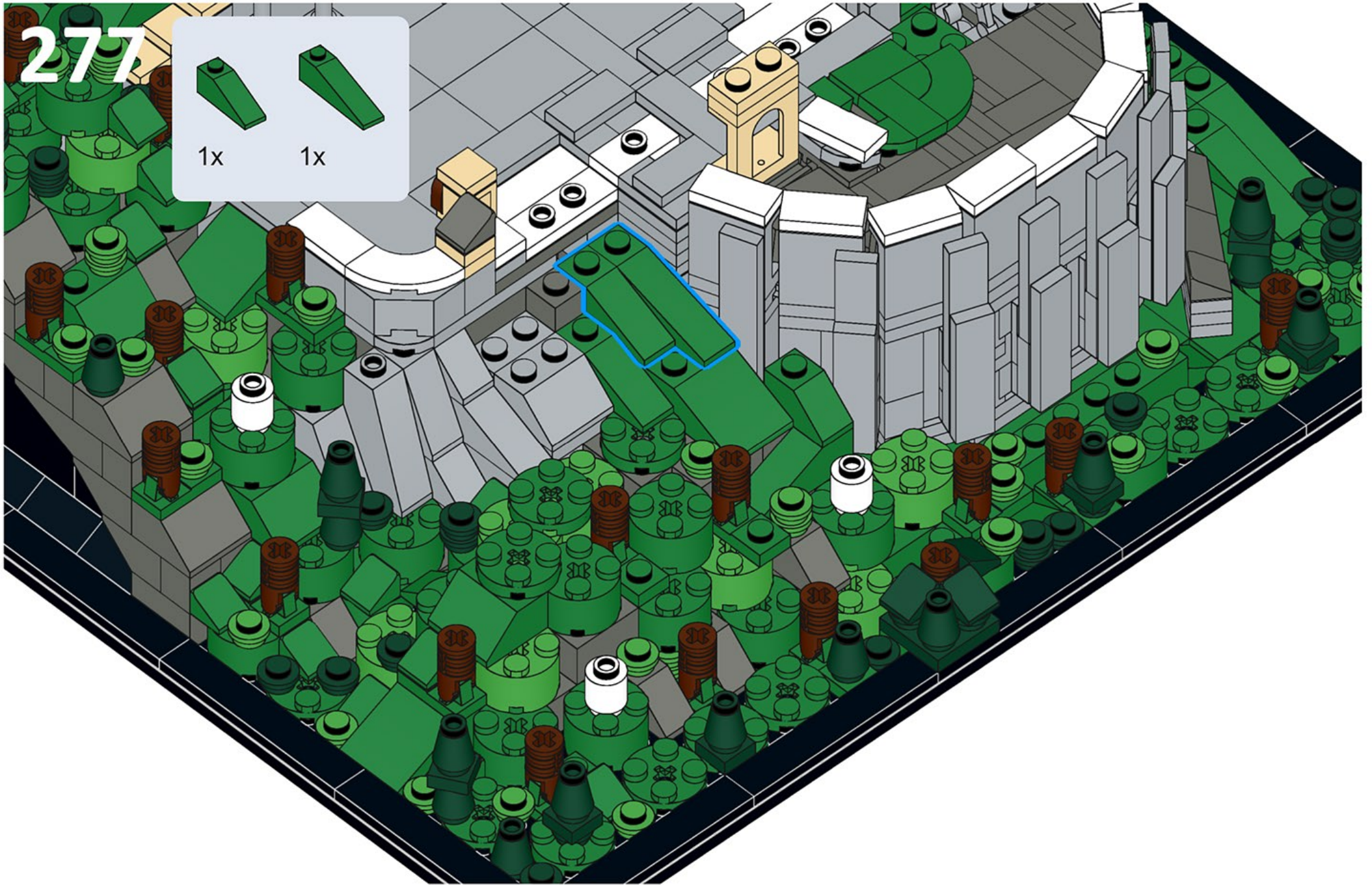
277



1x



1x





278



2x



5x

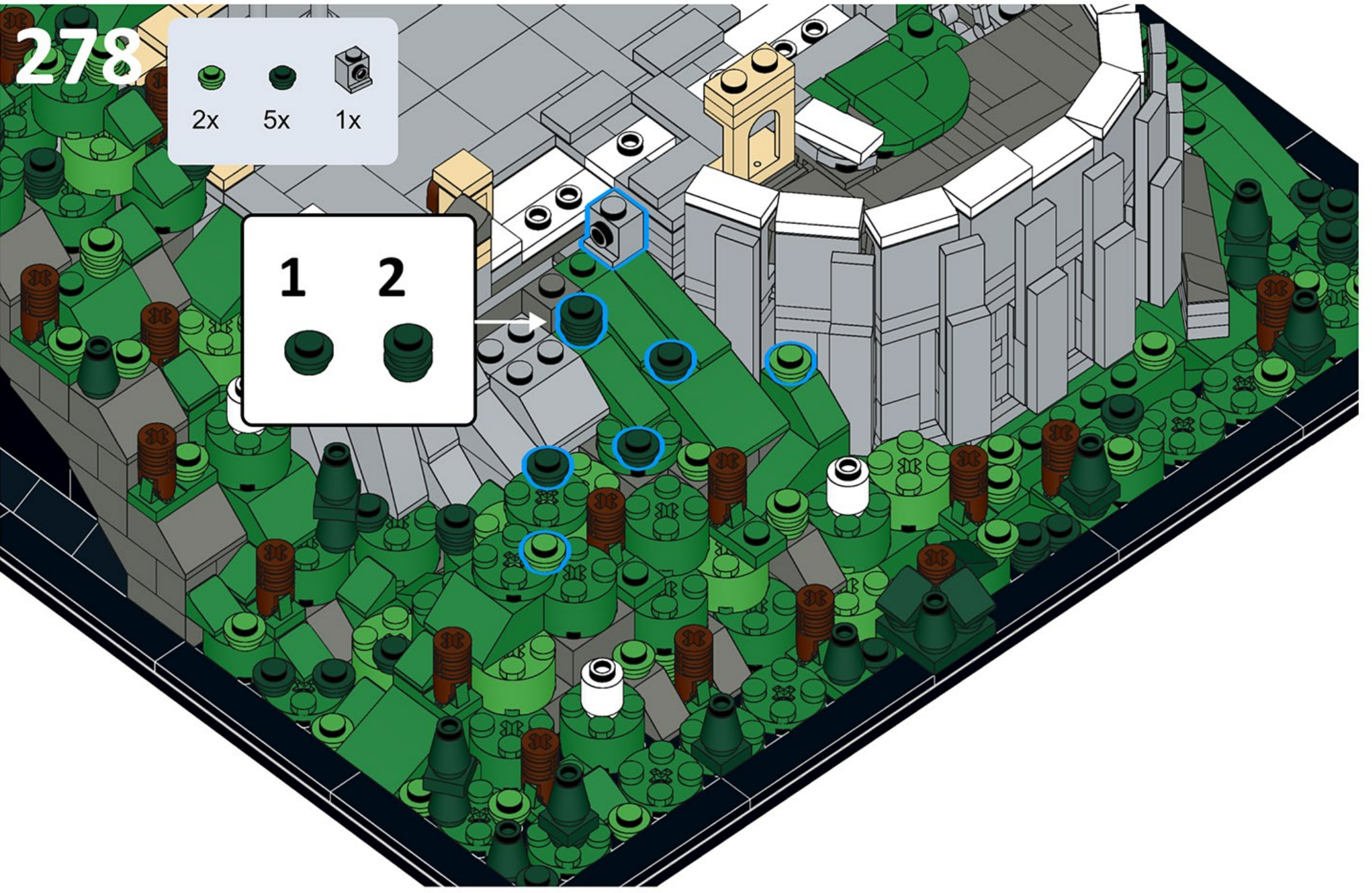


1x

1



2





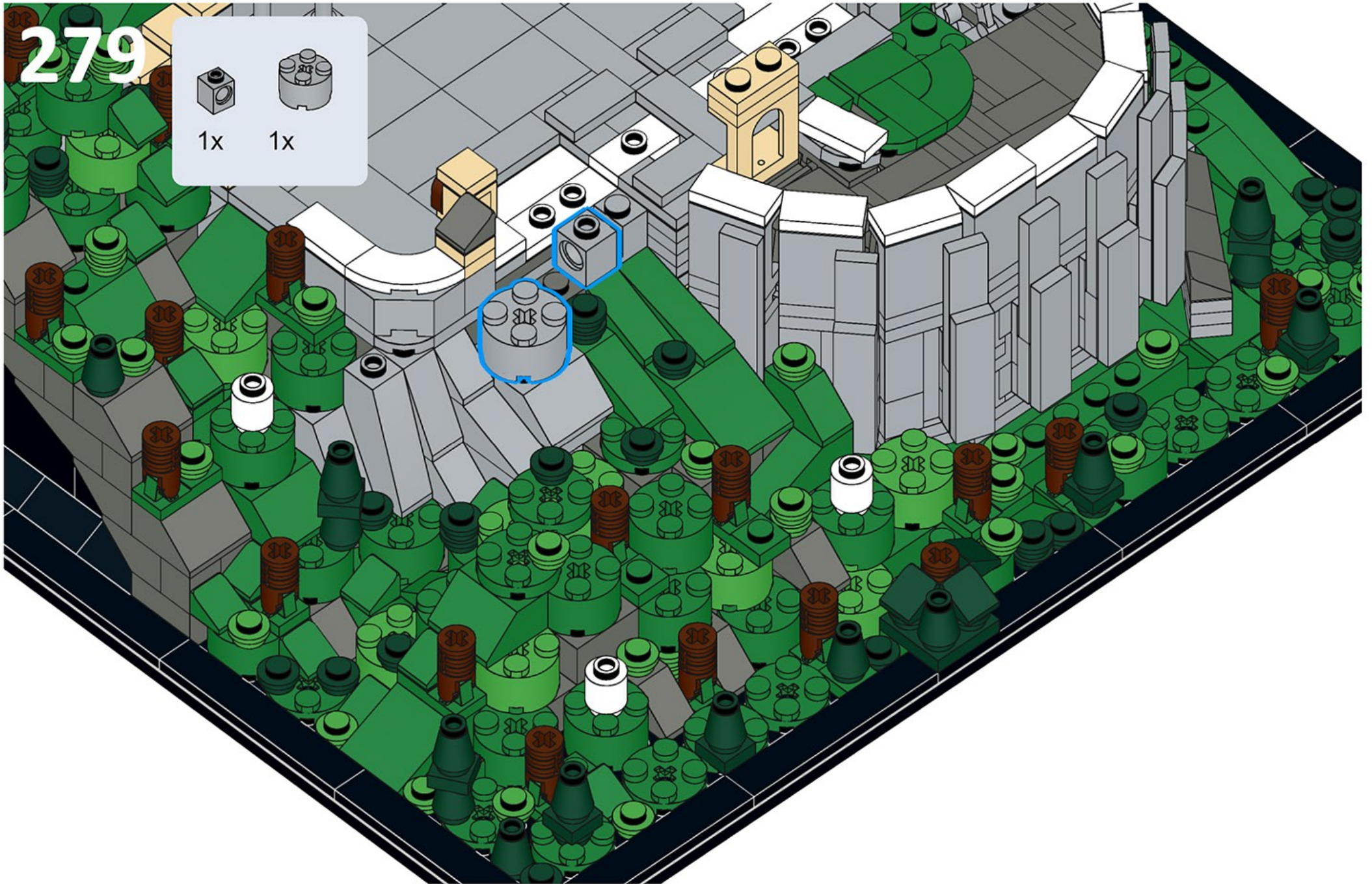
279



1x



1x

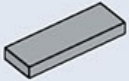




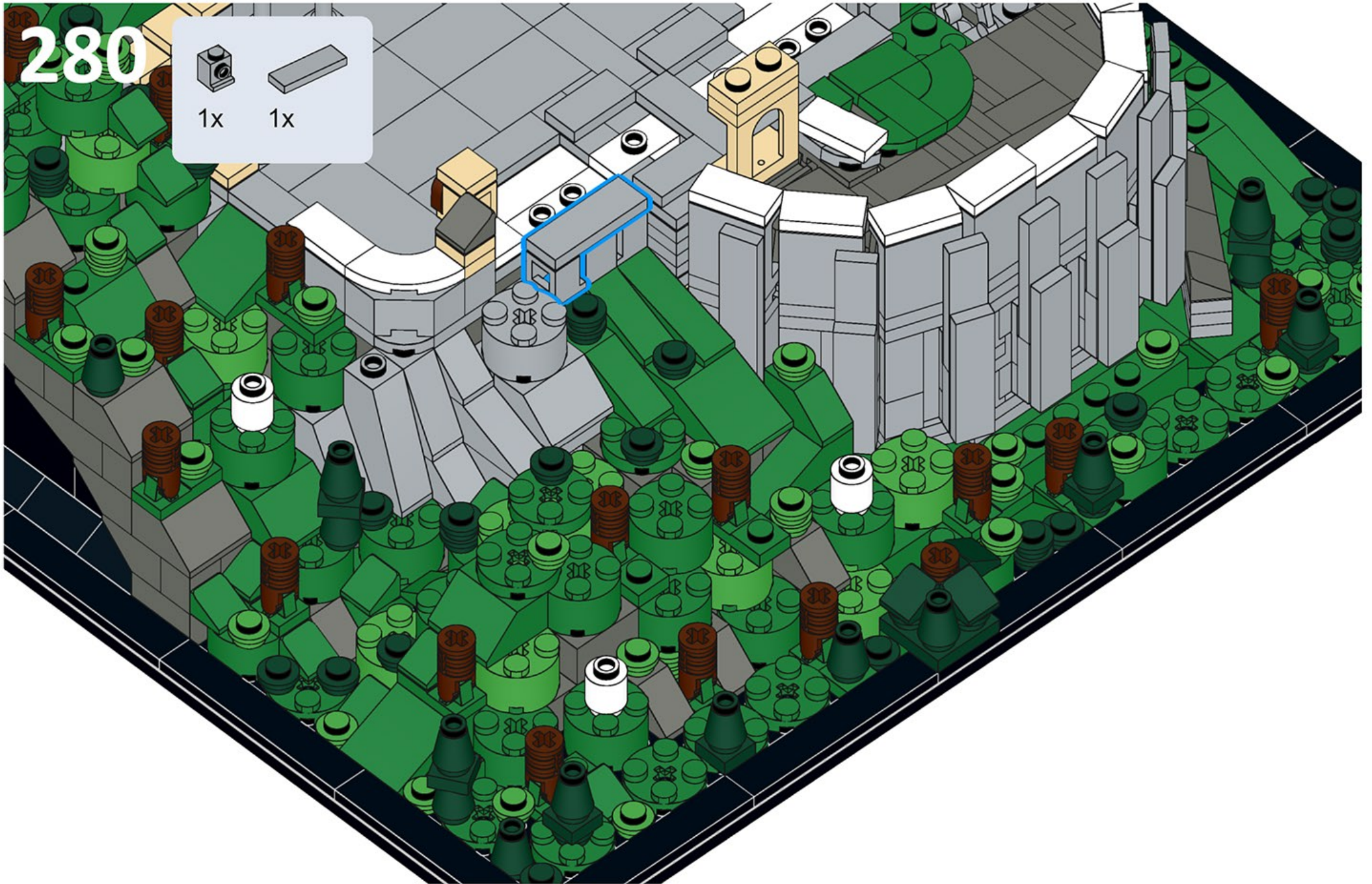
280



1x






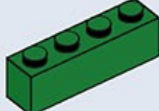


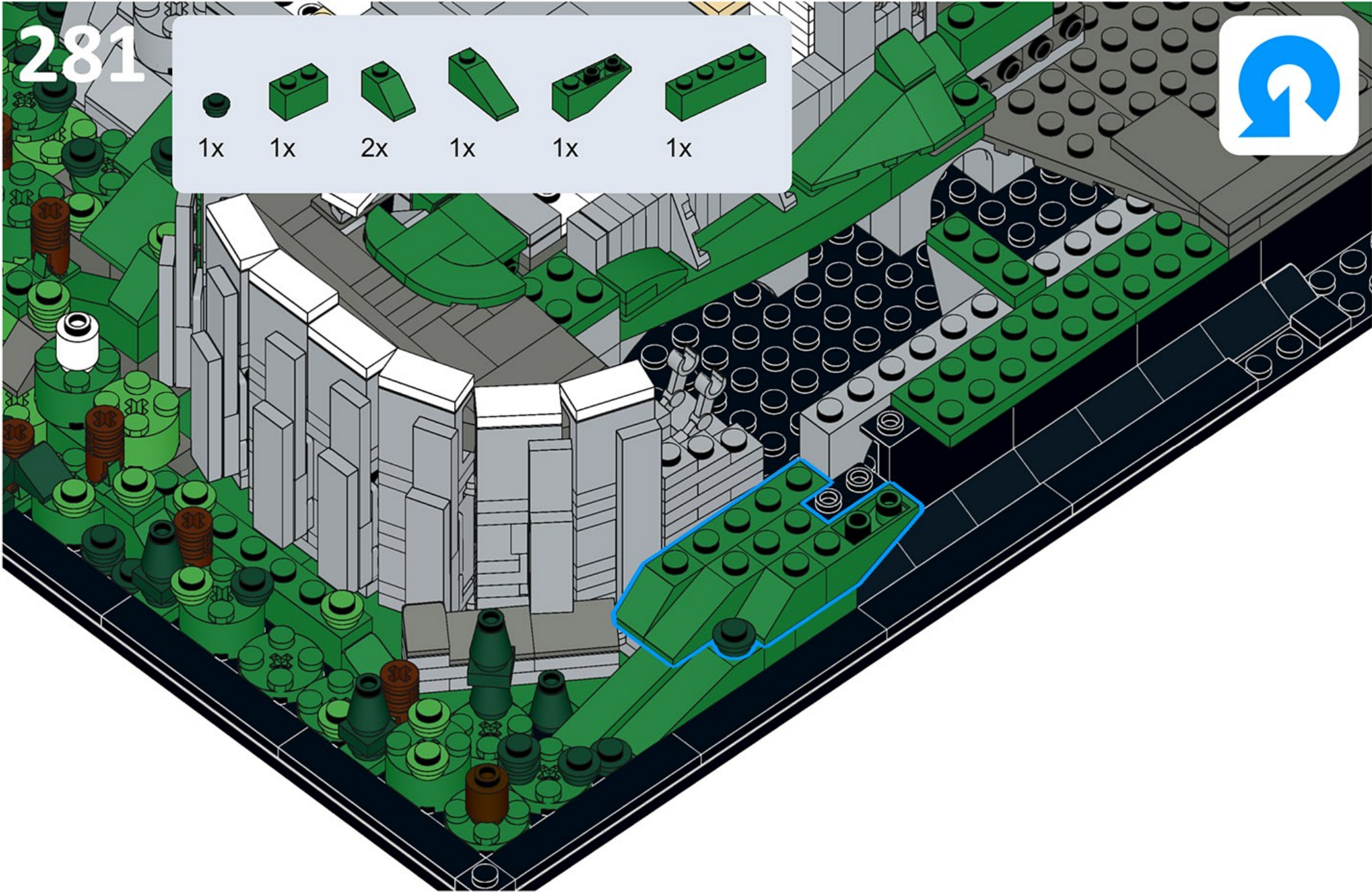
1x





281

					
1x	1x	2x	1x	1x	1x

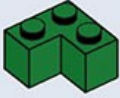




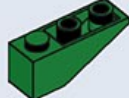
282



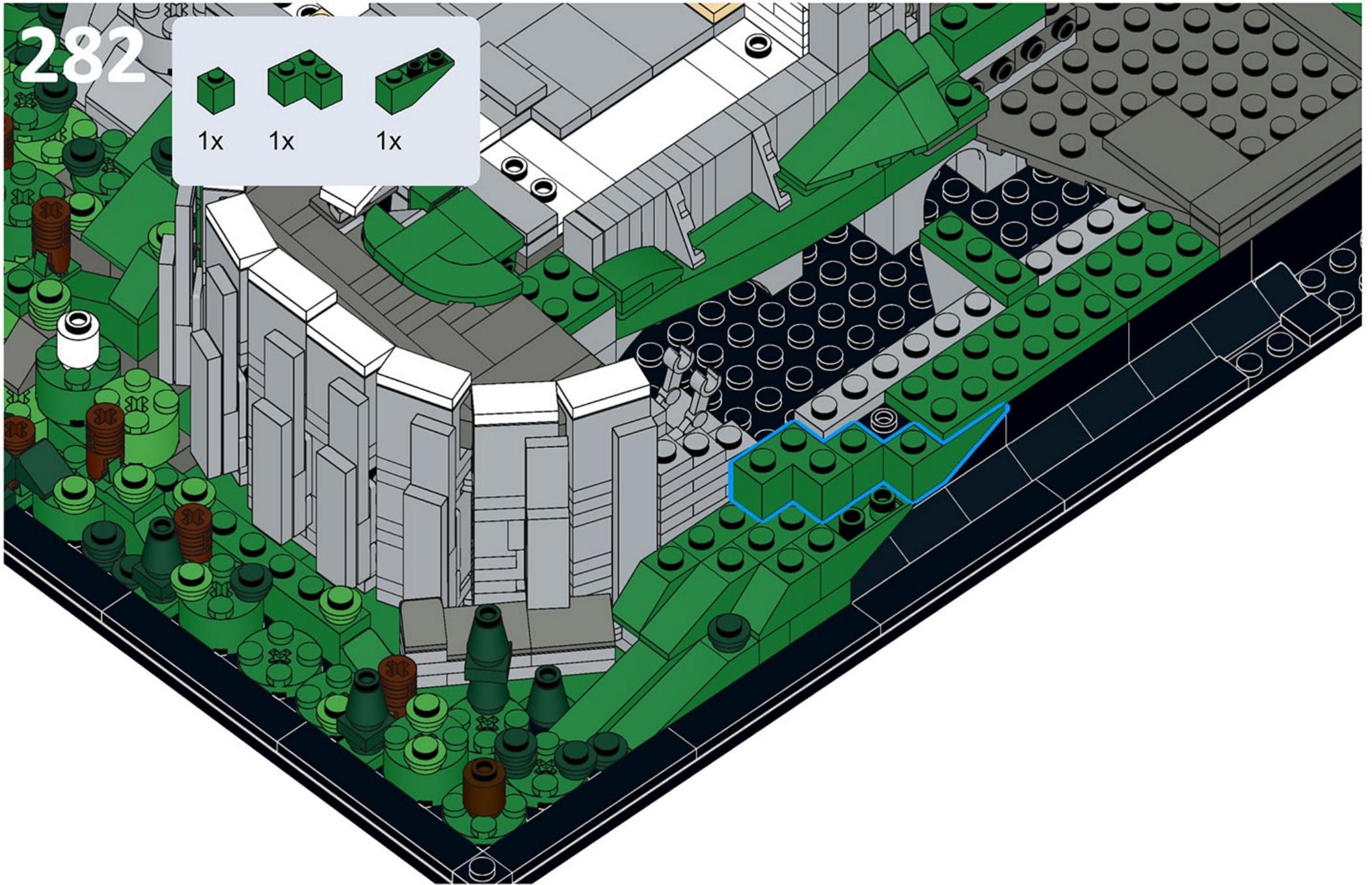
1x



1x



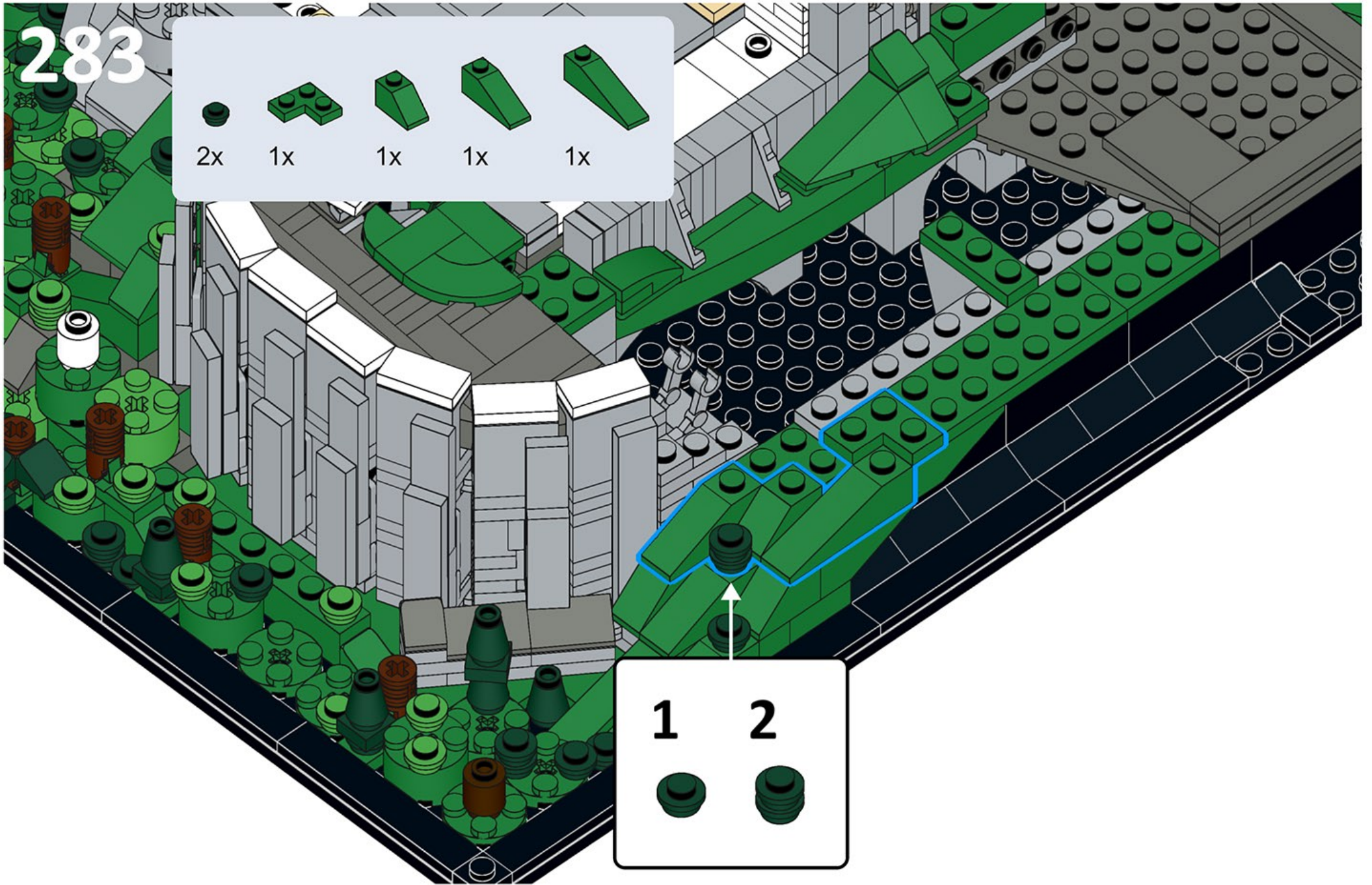
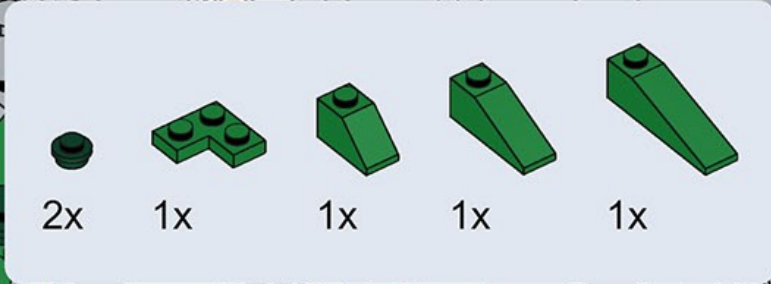
1x



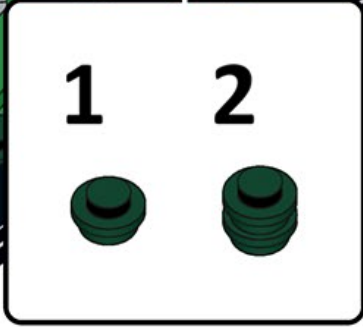


283

2x 1x 1x 1x 1x



1 2

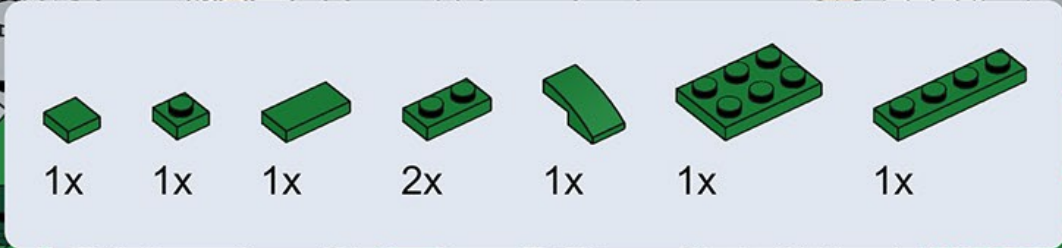


1 2

This inset shows two dark green pins. The first pin is labeled '1' and the second pin is labeled '2'. The second pin is shown with a second dark green pin stacked on top of it, indicating that two pins are required for this step.

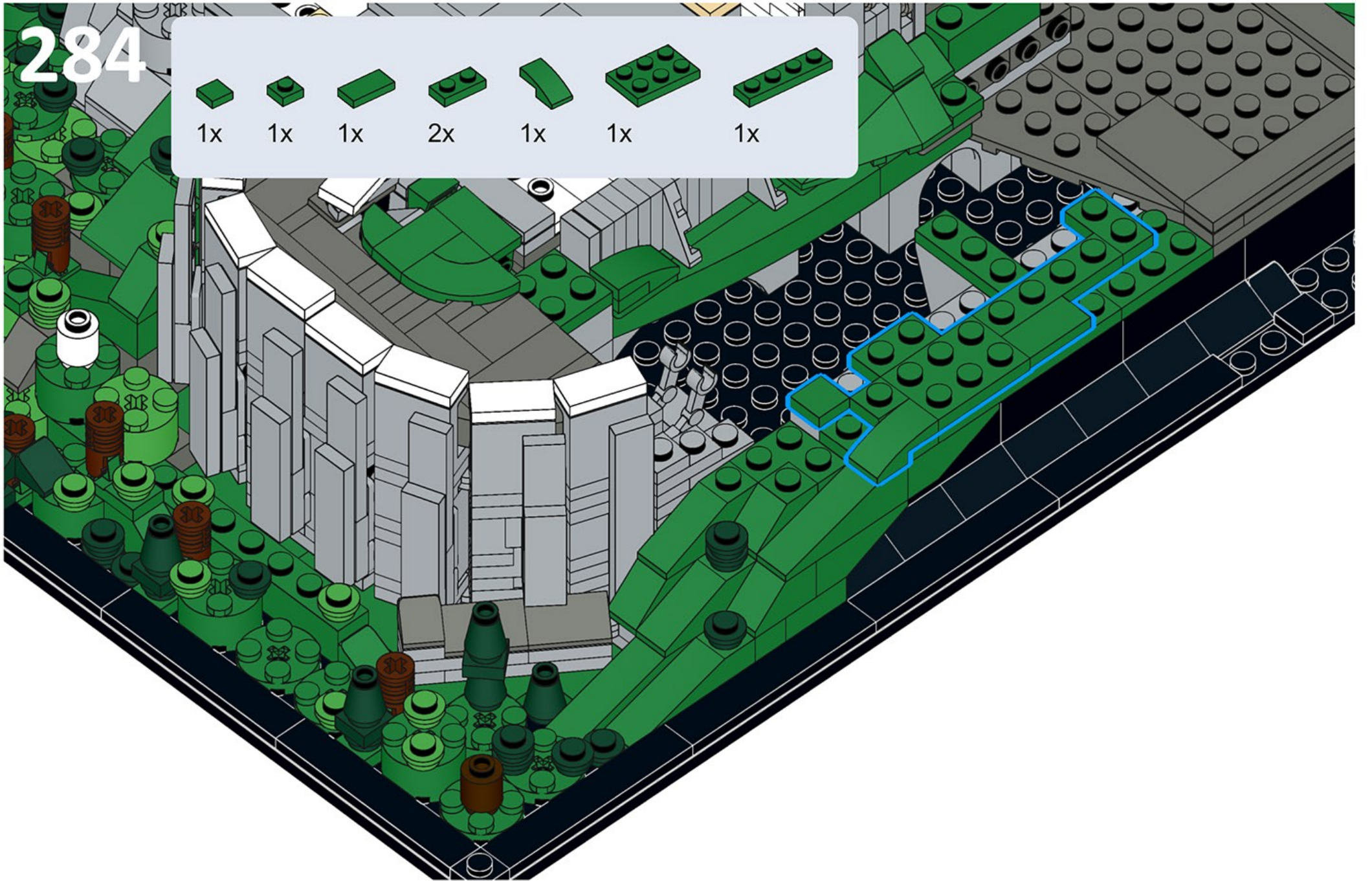


284



1x 1x 1x 2x 1x 1x 1x

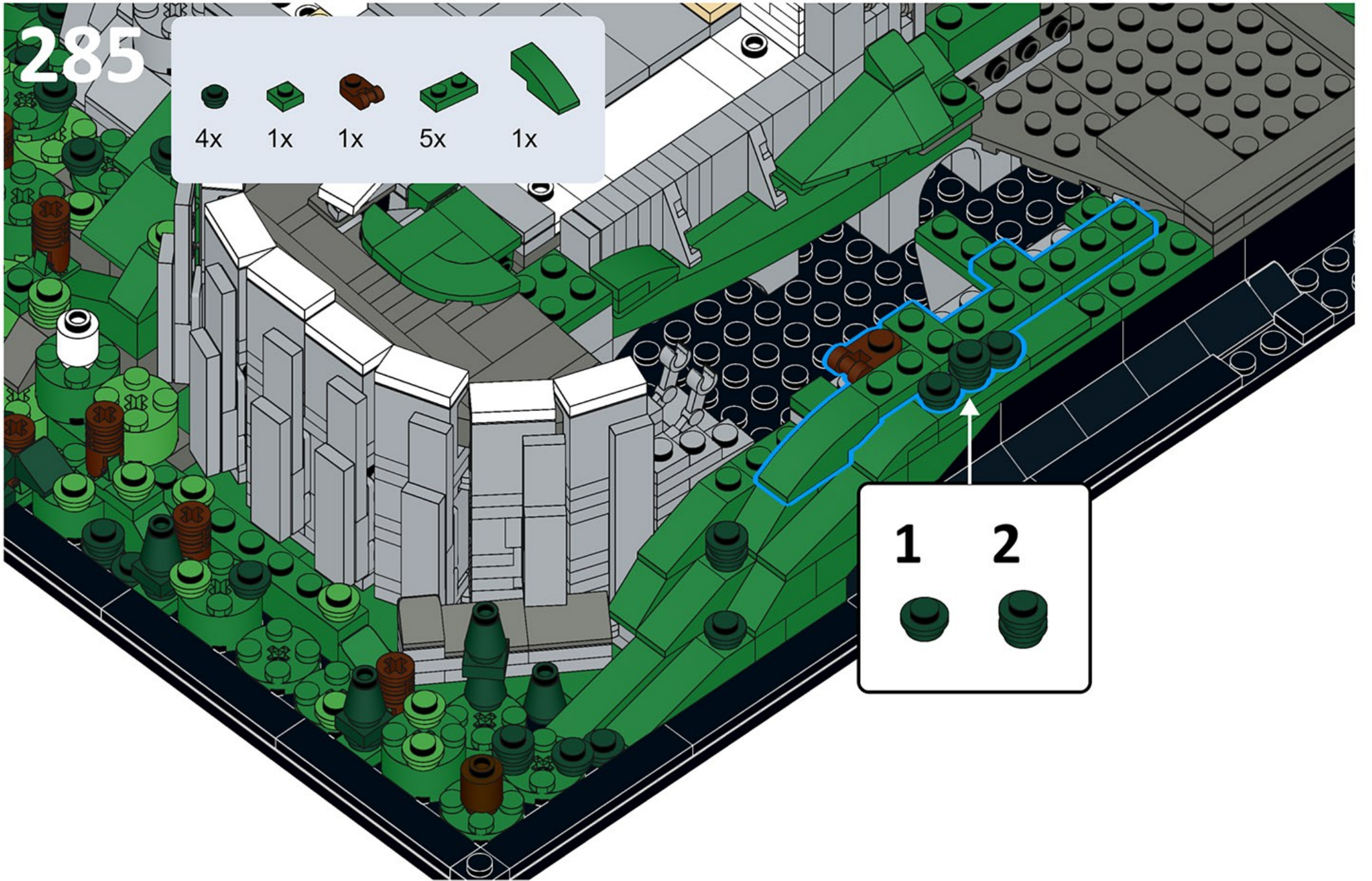
This block contains a list of seven green LEGO parts with their respective quantities. From left to right: a 1x1 square, a 1x1 square with a hole, a 1x2 rectangle, a 2x2 square with a hole, a 1x2 rectangle with a hole, a 1x4 rectangle with four holes, and a 1x6 rectangle with six holes. Each part is shown with its quantity below it.





285

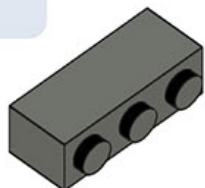
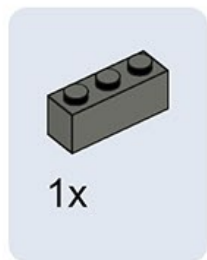
4x 1x 1x 5x 1x



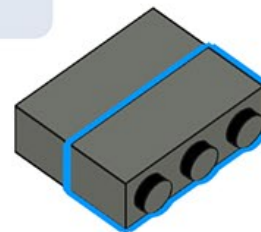
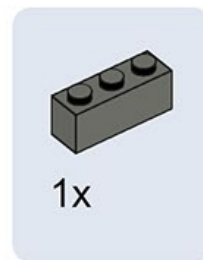
1 2



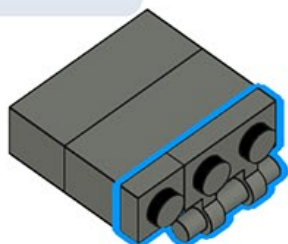
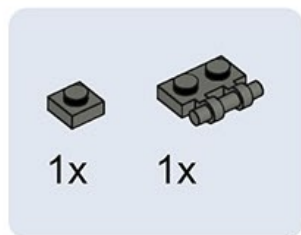
# 286



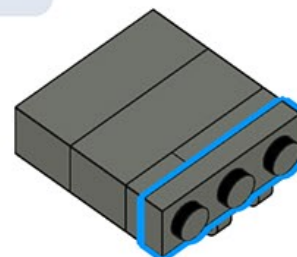
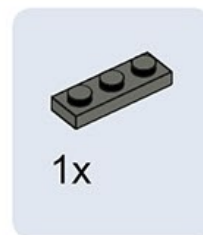
# 287



# 288

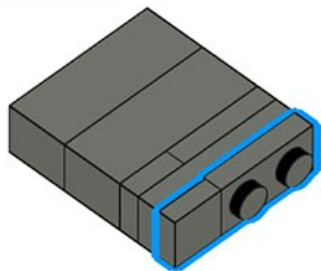
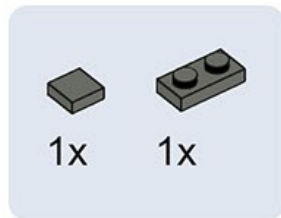


# 289

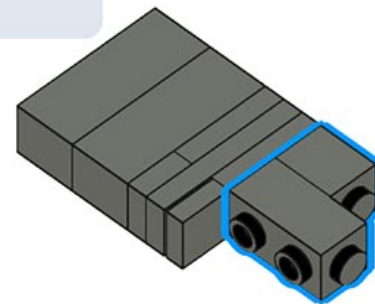
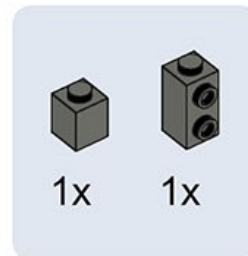




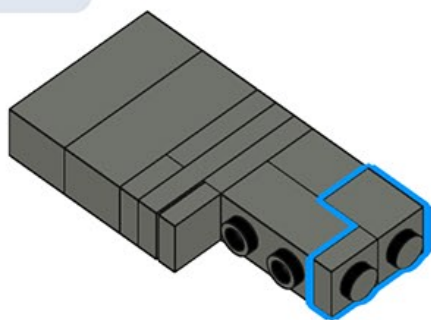
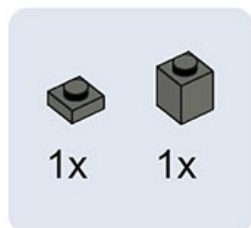
# 290



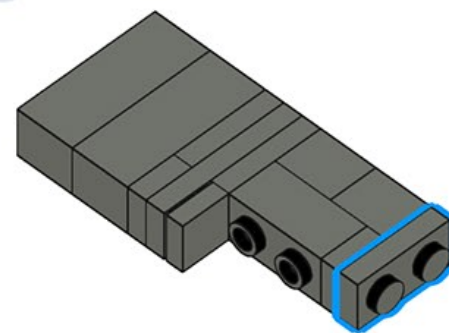
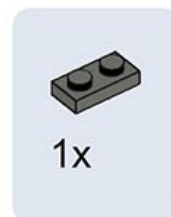
# 291



# 292

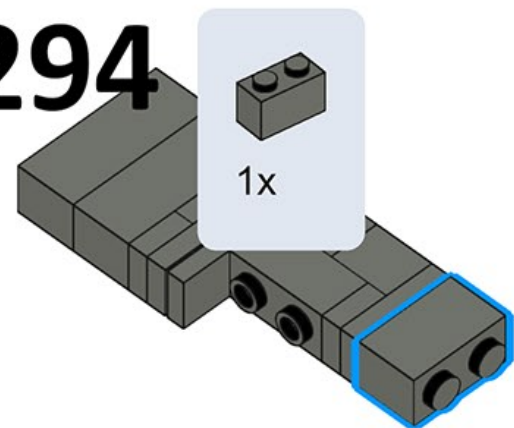


# 293

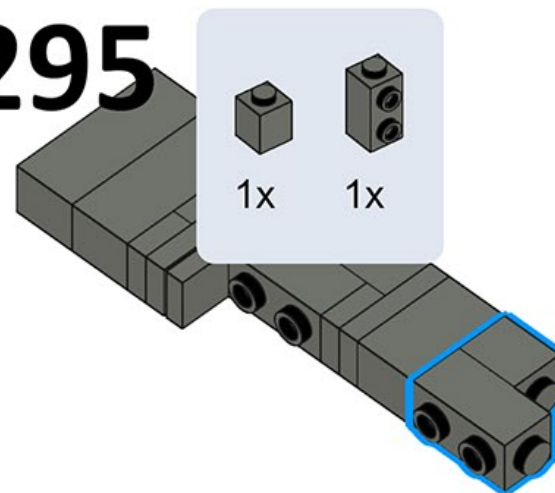




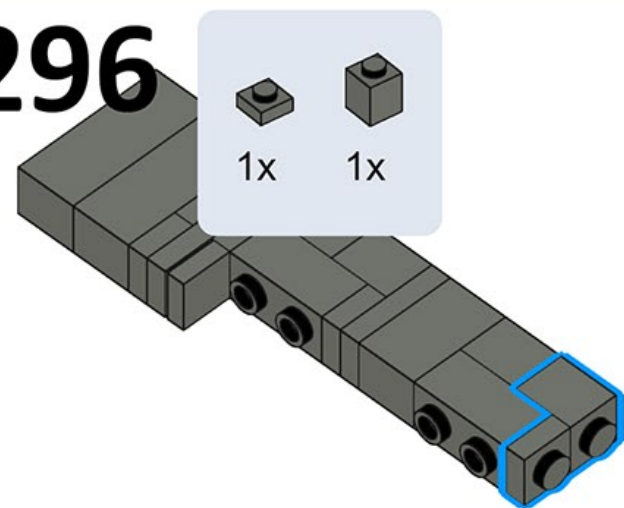
294



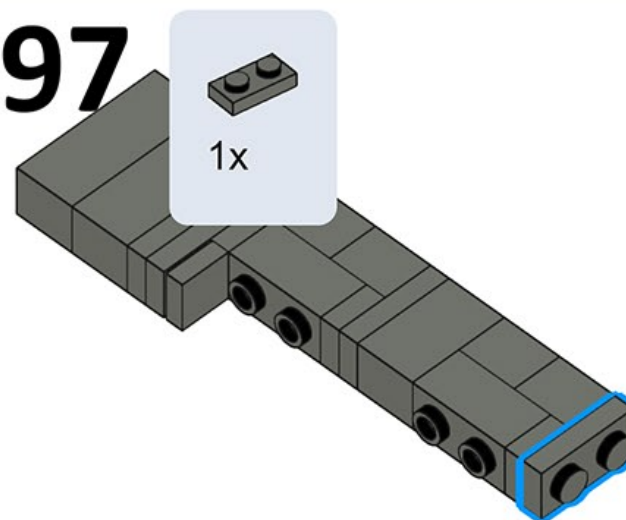
295



296

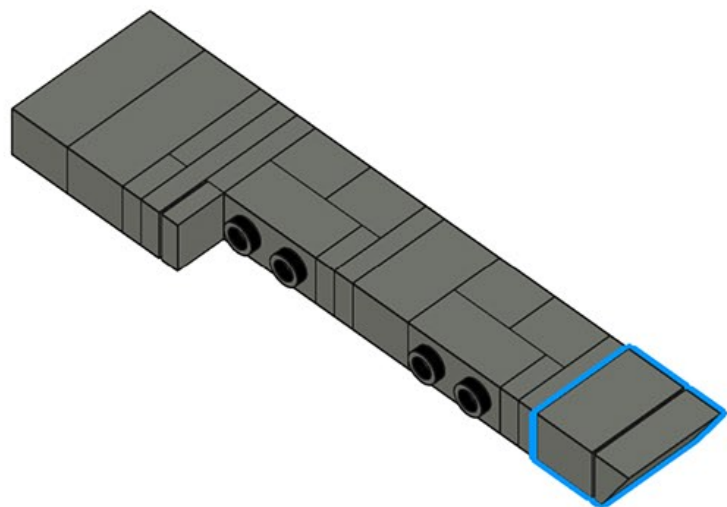
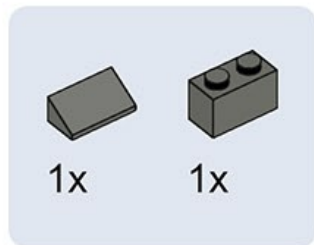


297

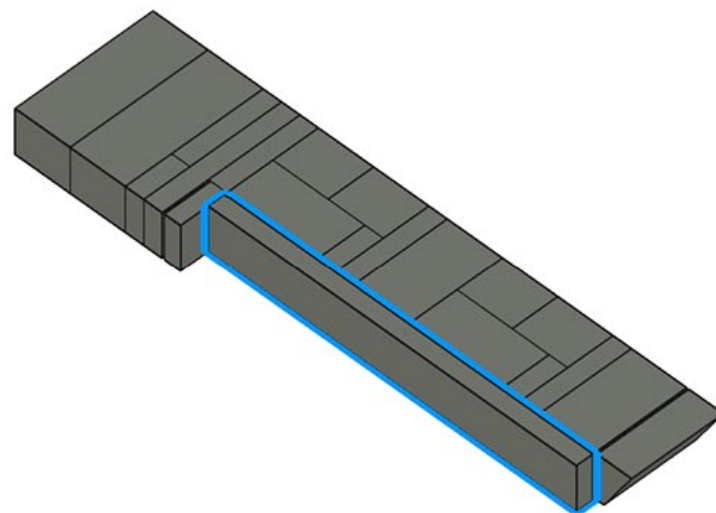
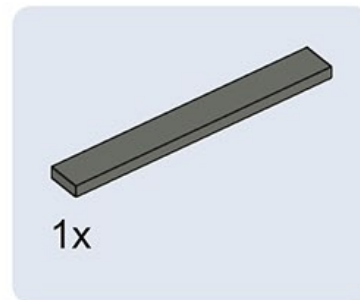




# 298

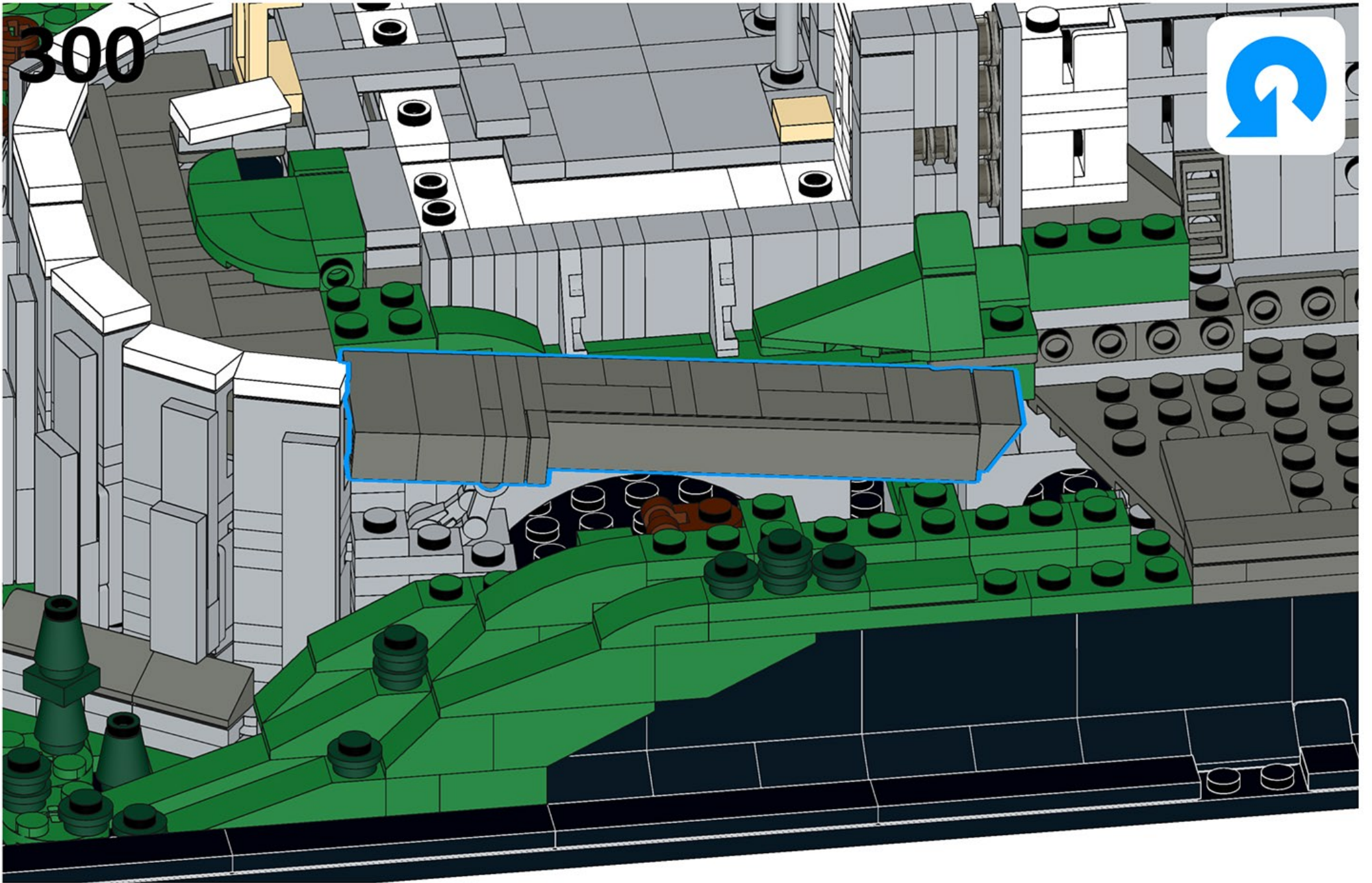


# 299



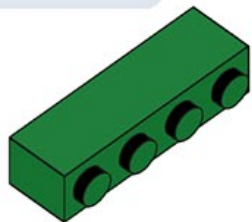
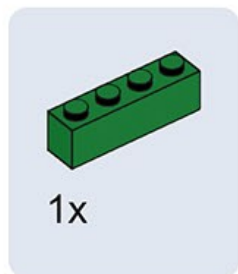


300

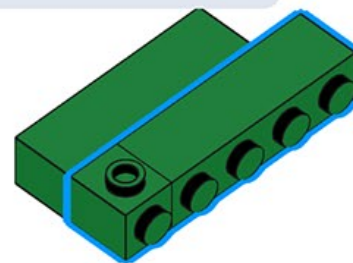
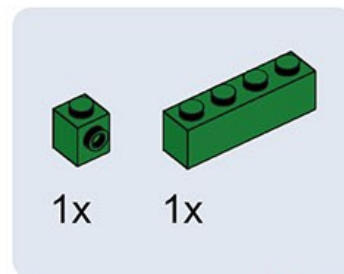




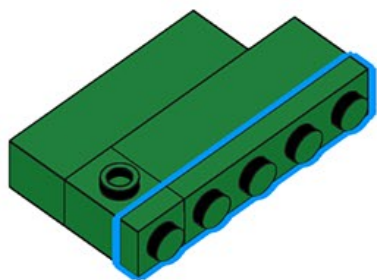
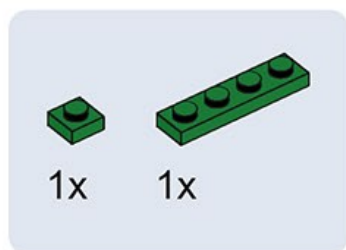
# 301



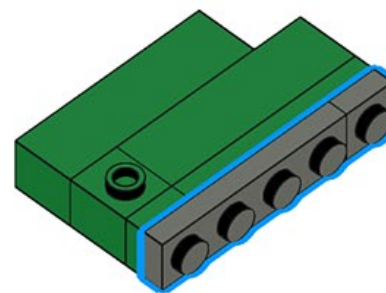
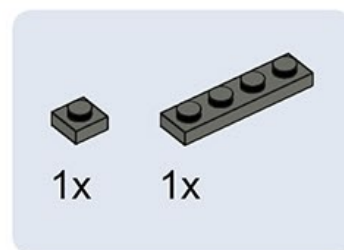
# 302



# 303

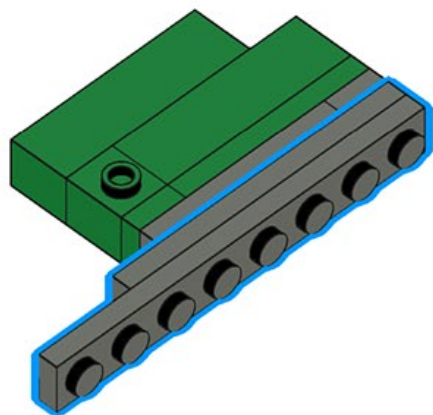
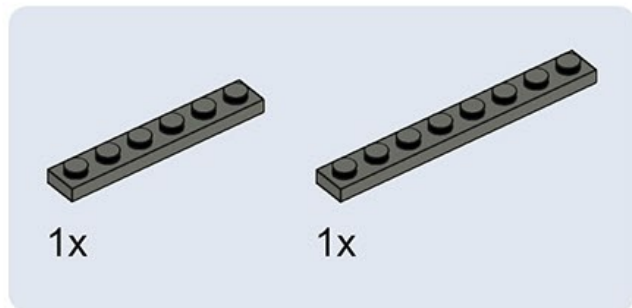


# 304

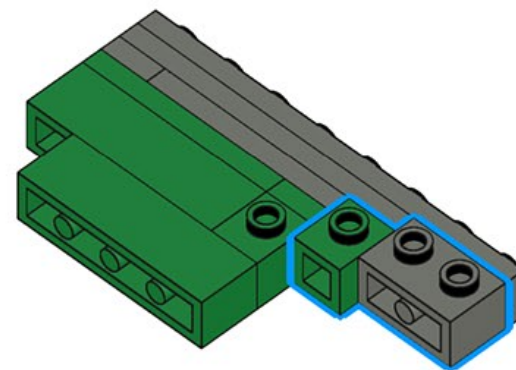
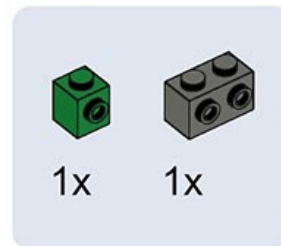




# 305

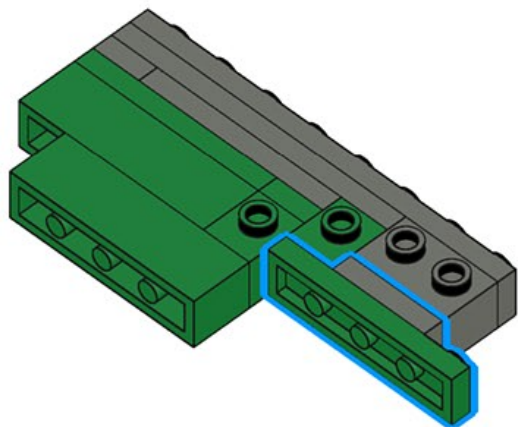
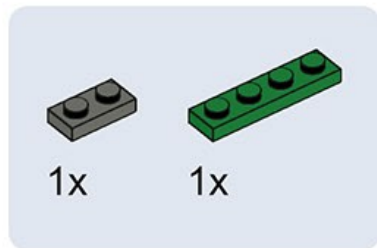


# 306

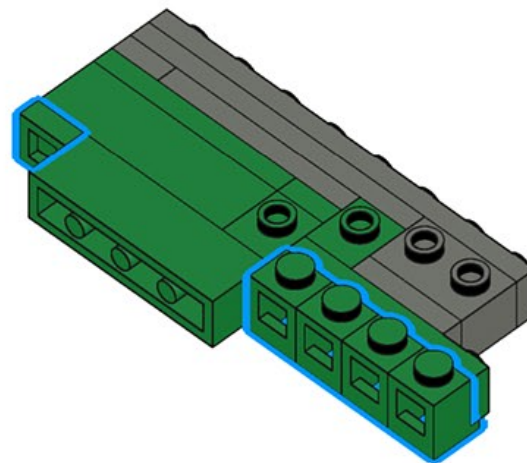
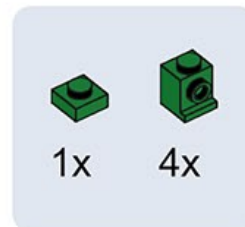




# 307

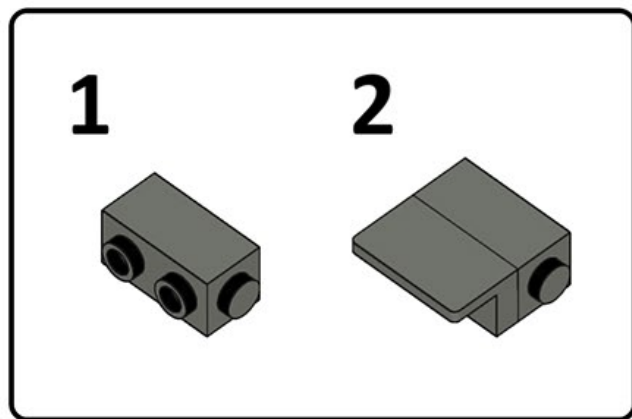
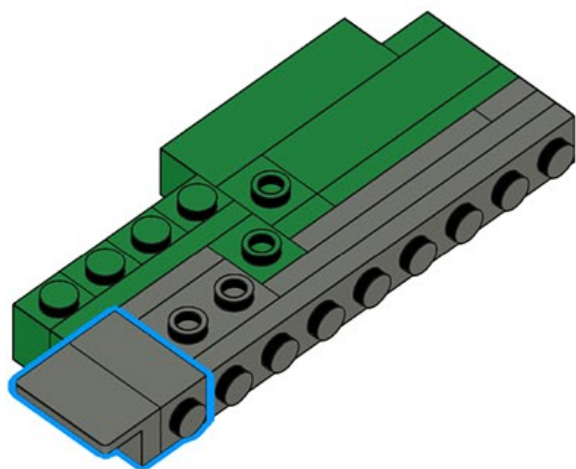
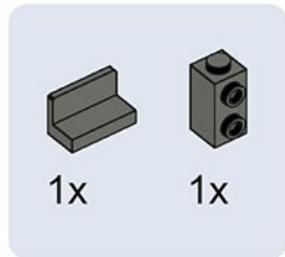


# 308

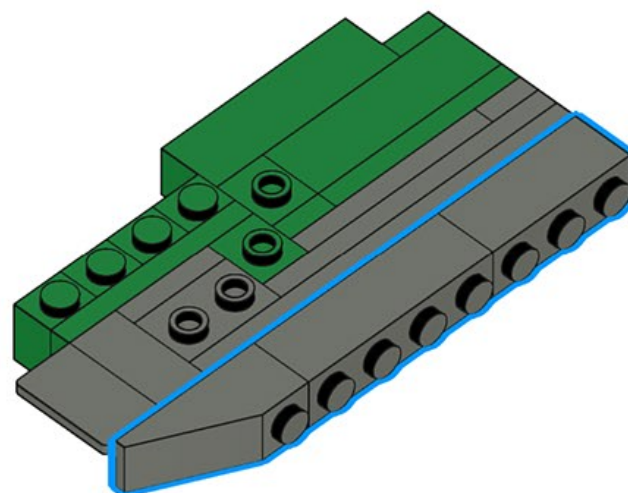
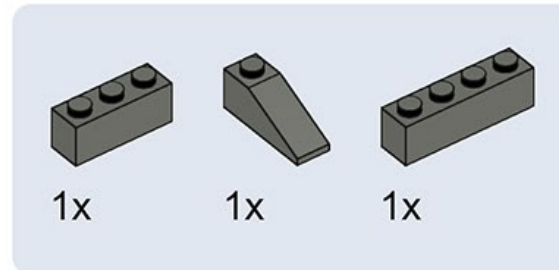




# 309

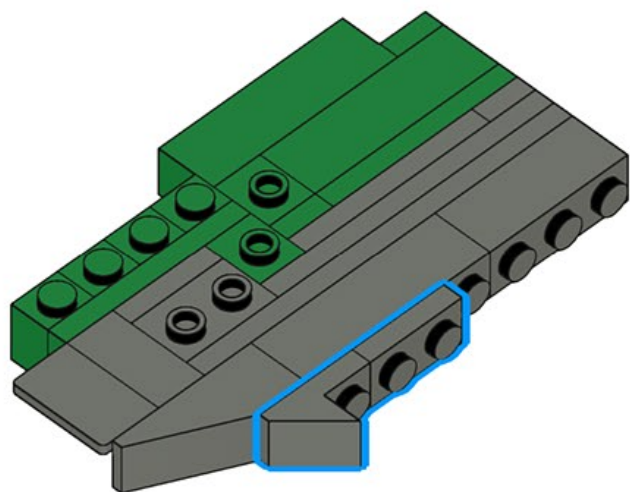
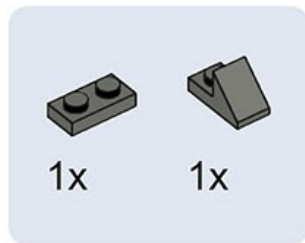


# 310

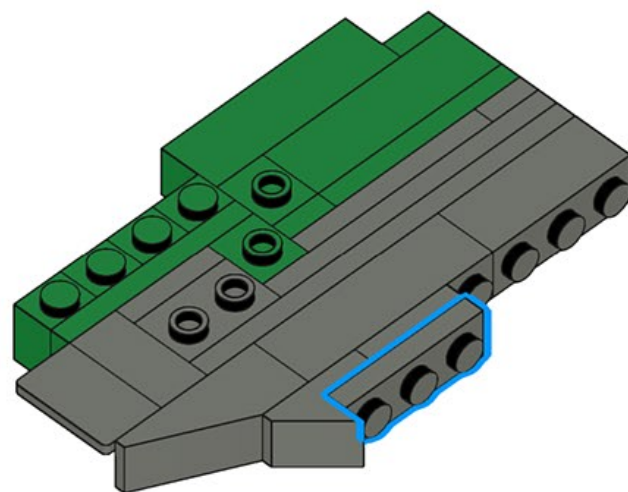
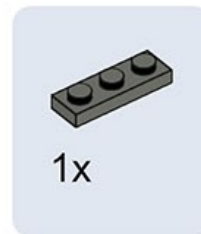




# 311

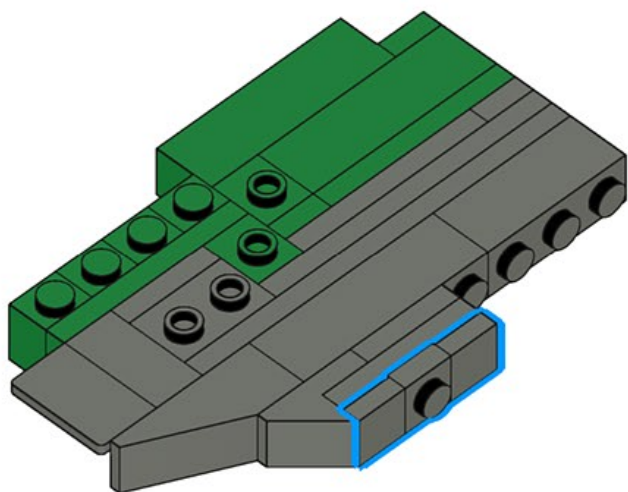
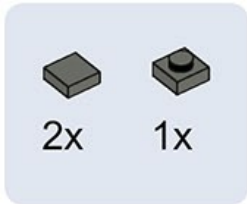


# 312

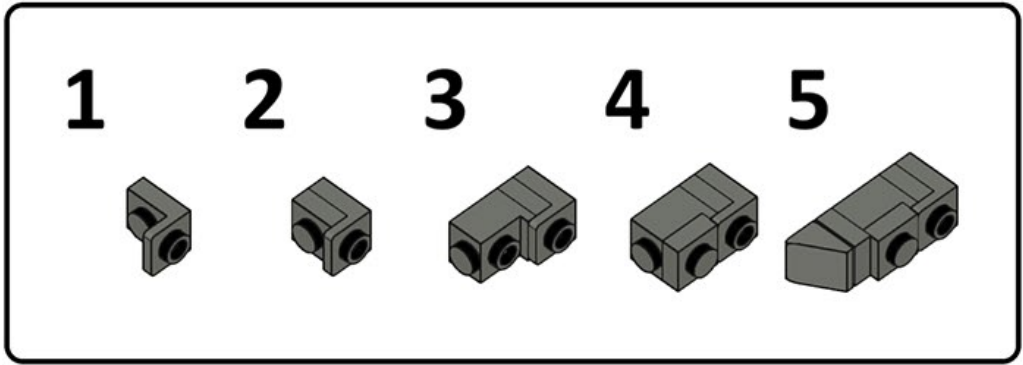
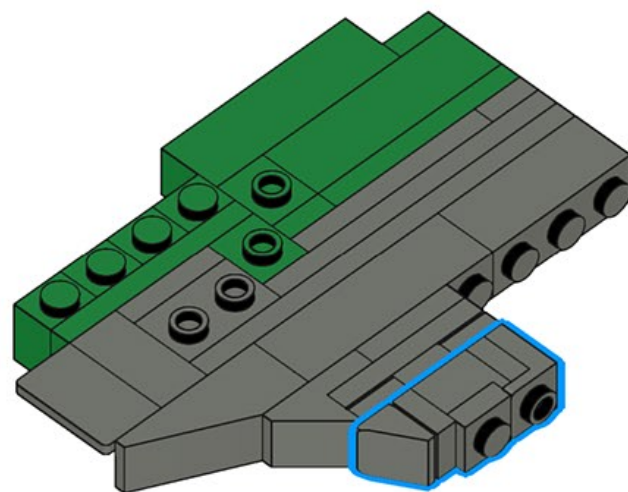
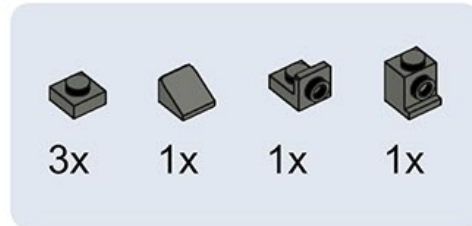




# 313



# 314

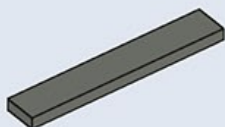




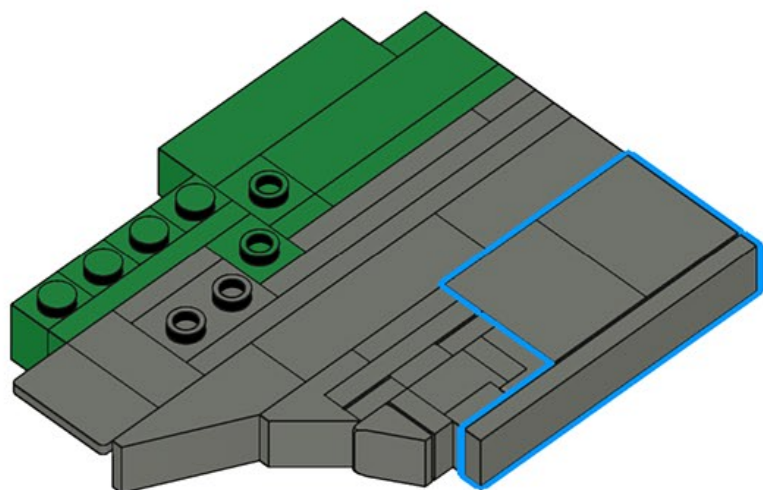
# 315



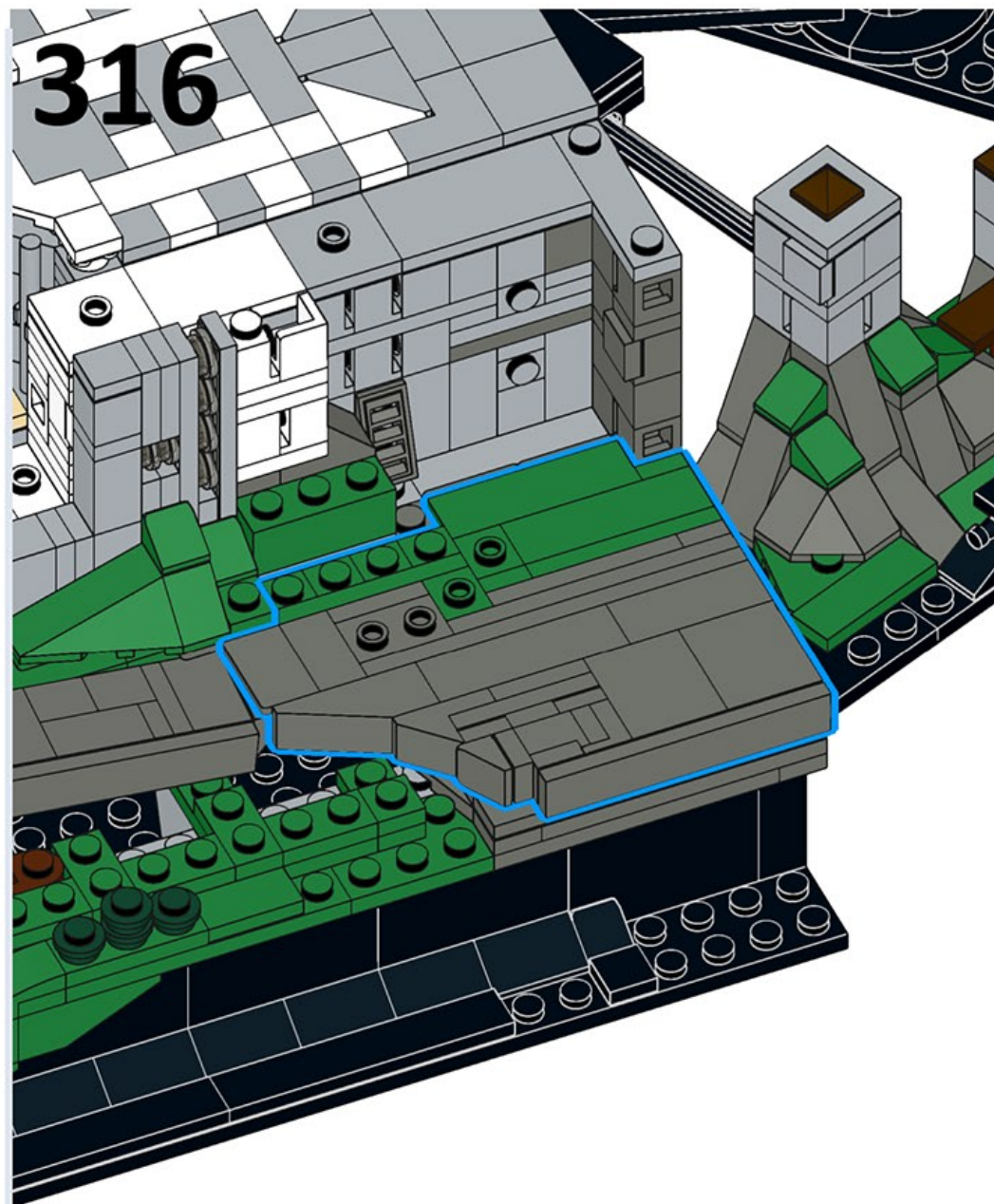
2x



1x



# 316





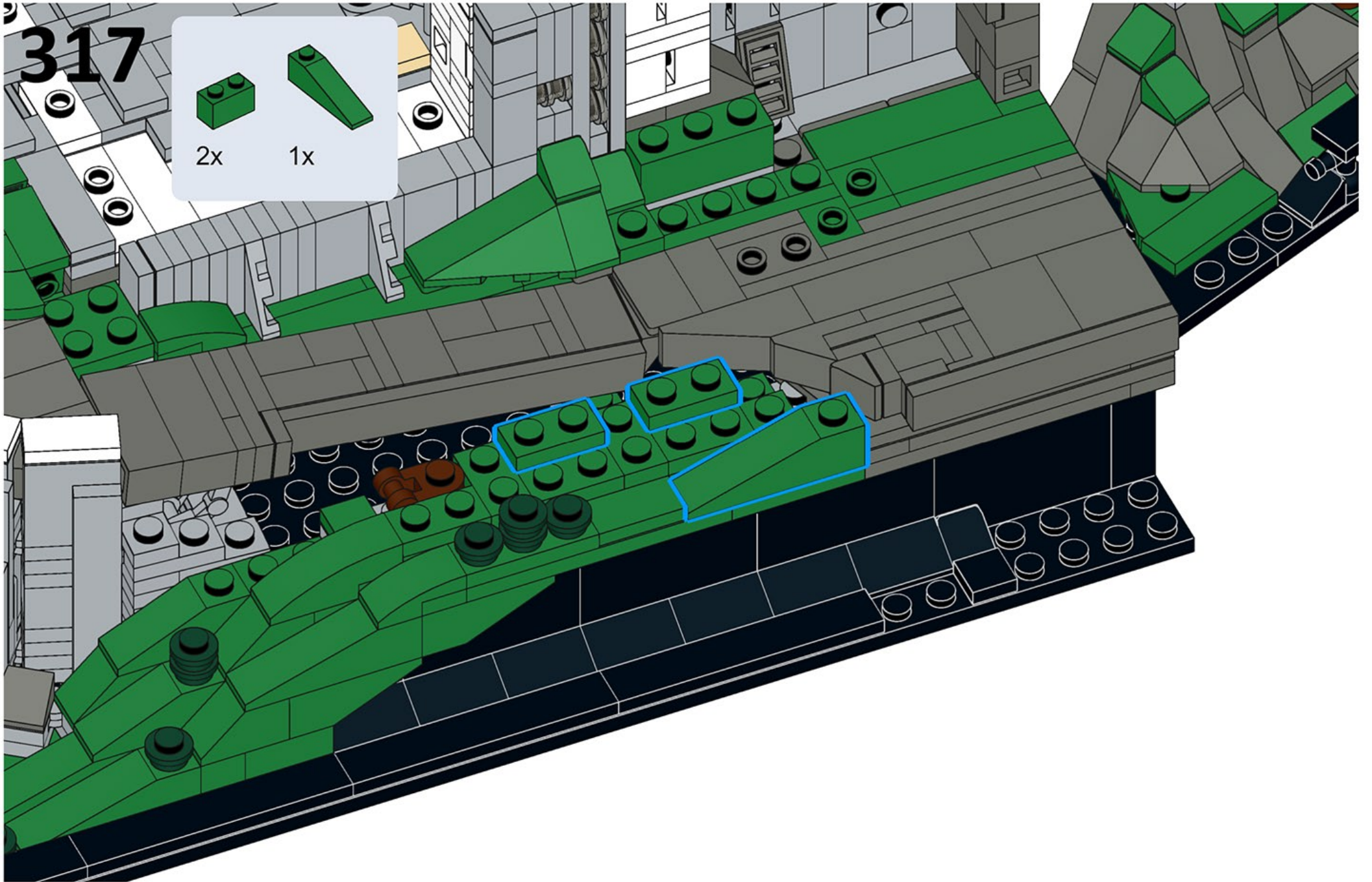
317



2x



1x





318



1x



3x



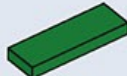
1x



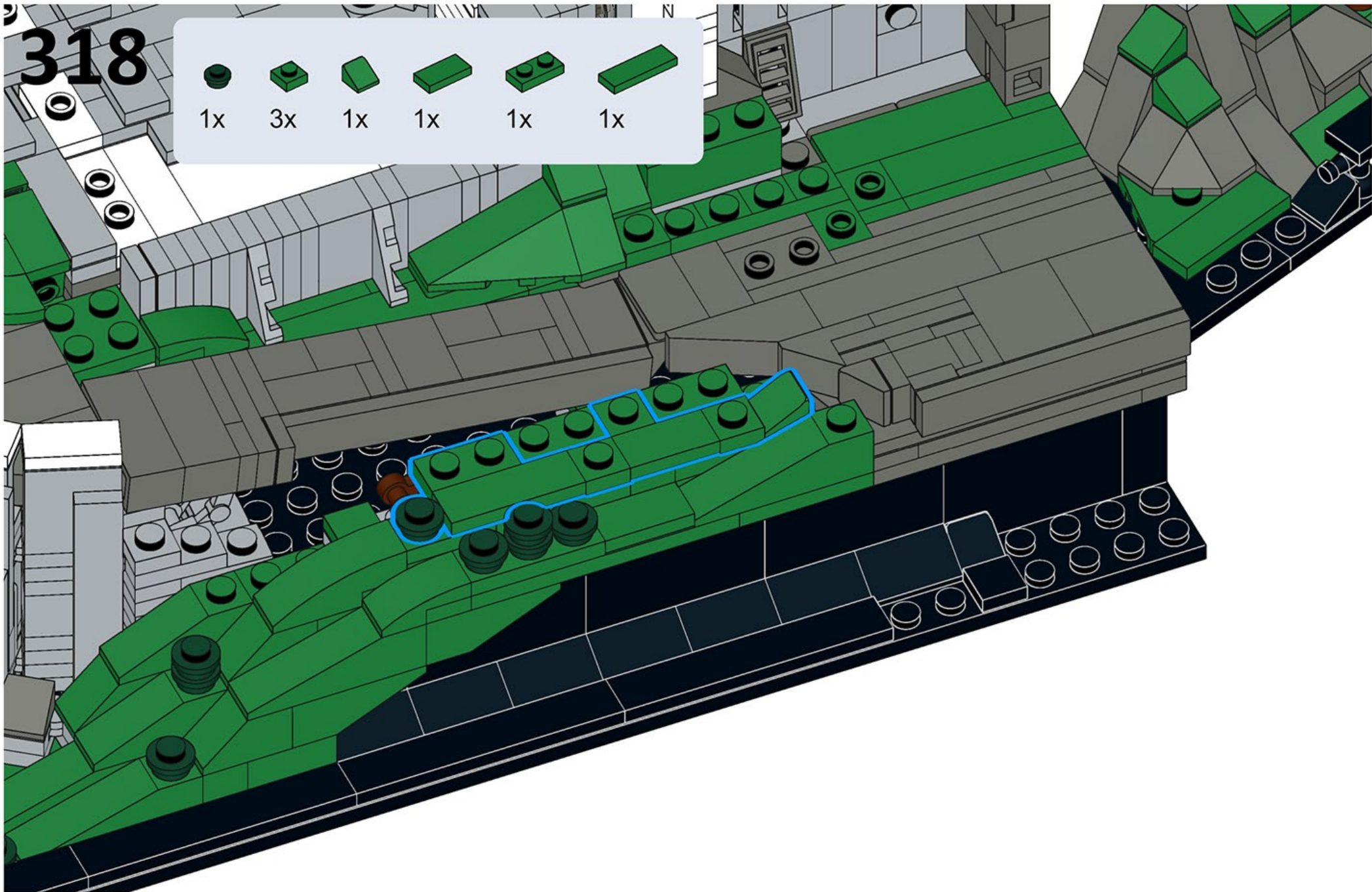
1x



1x



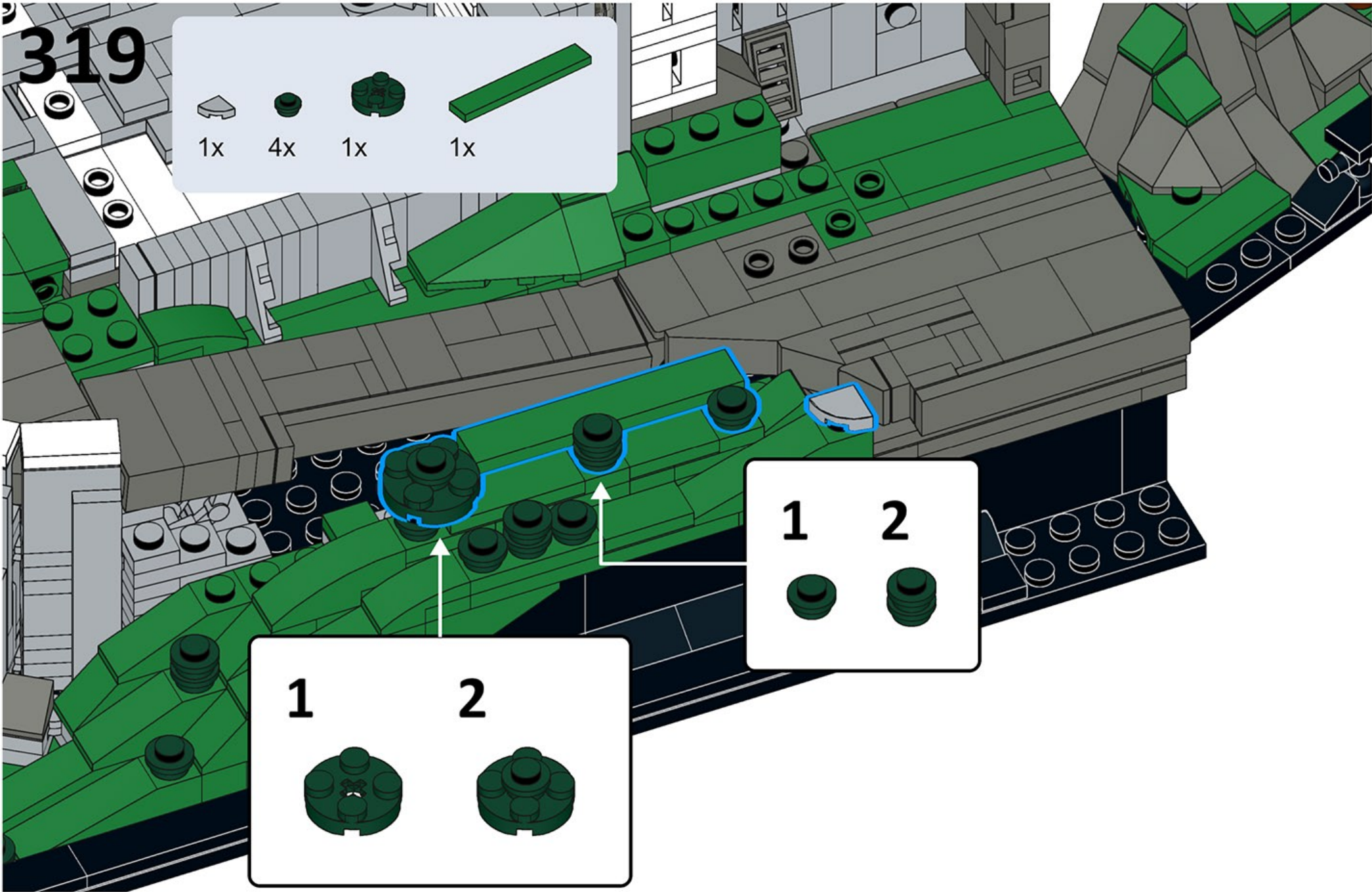
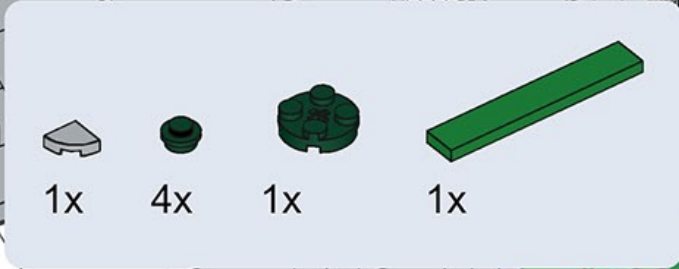
1x



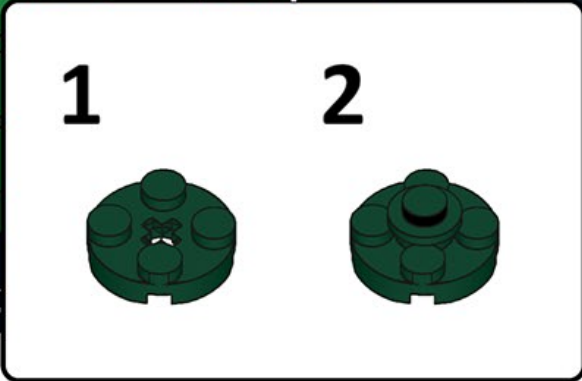


319

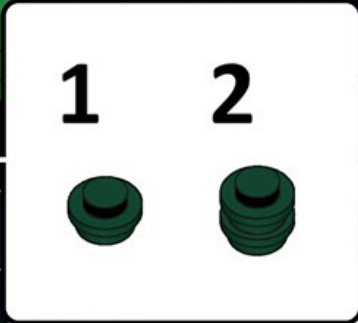
1x 4x 1x 1x



1 2

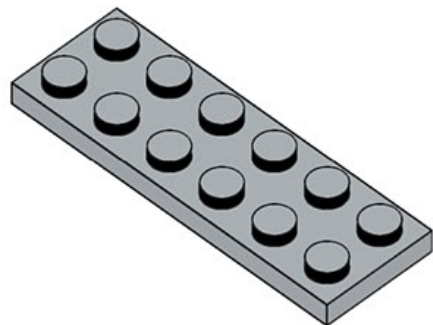
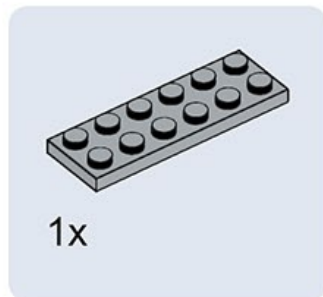


1 2

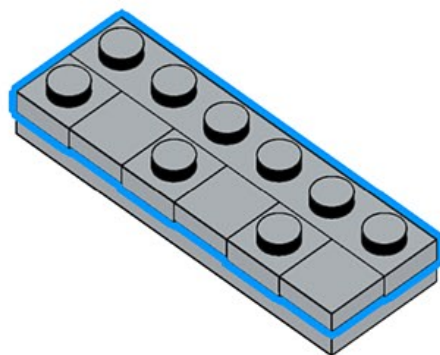
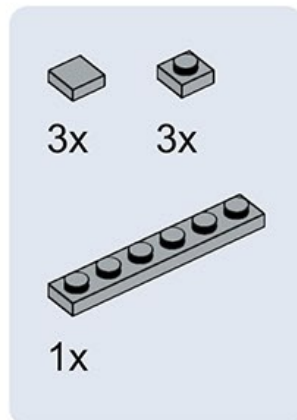




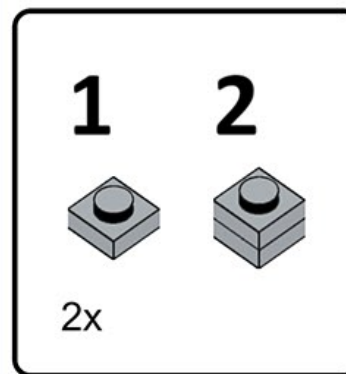
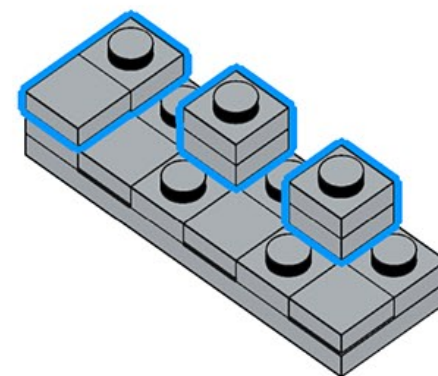
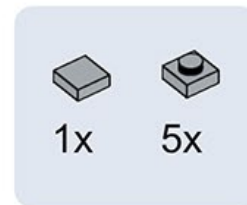
# 320



# 321

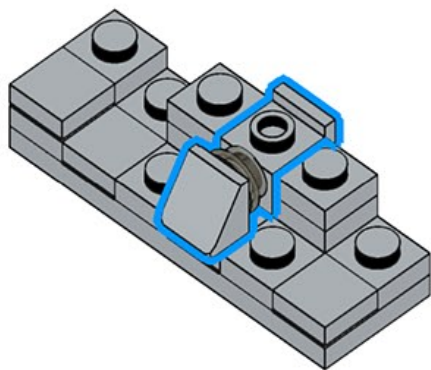
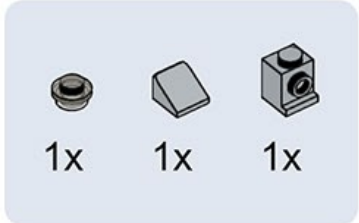


# 322

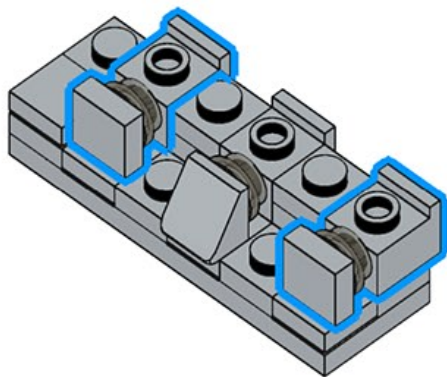
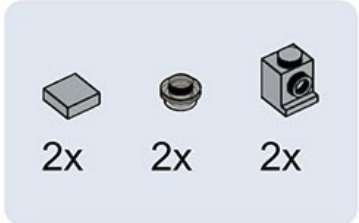




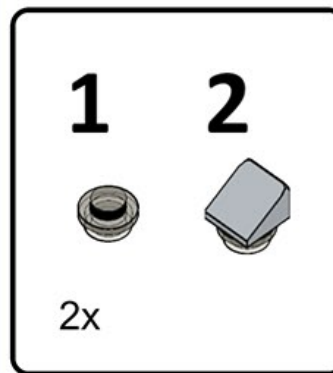
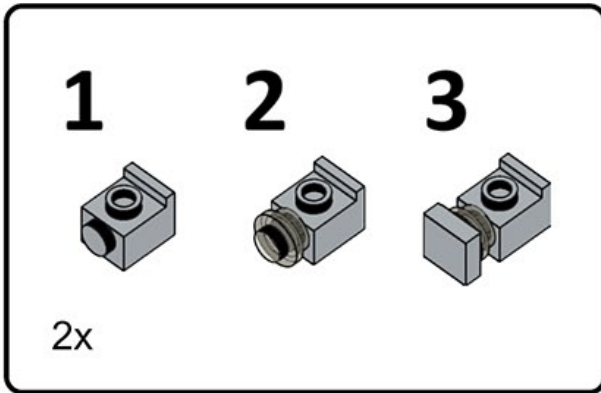
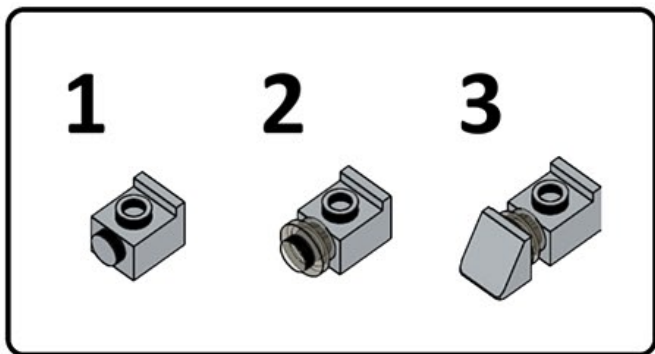
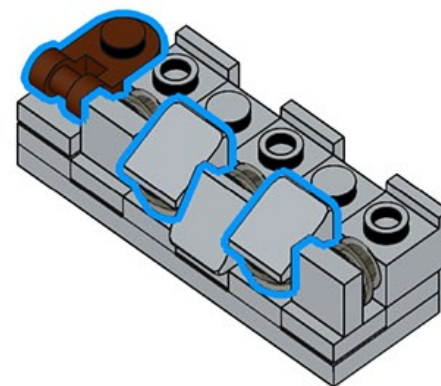
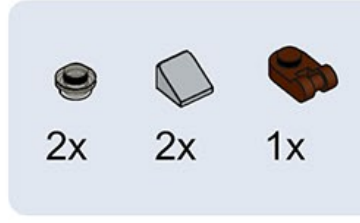
# 323



# 324

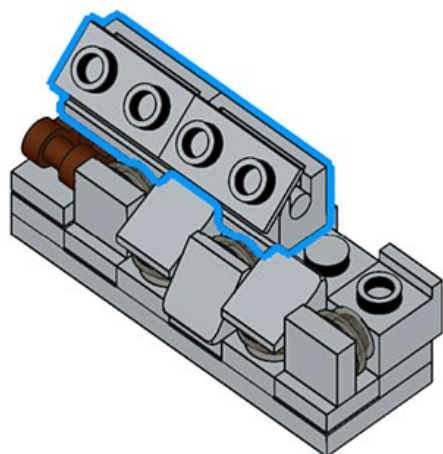
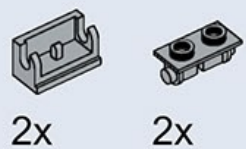


# 325

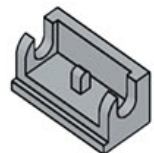




# 326



**1**

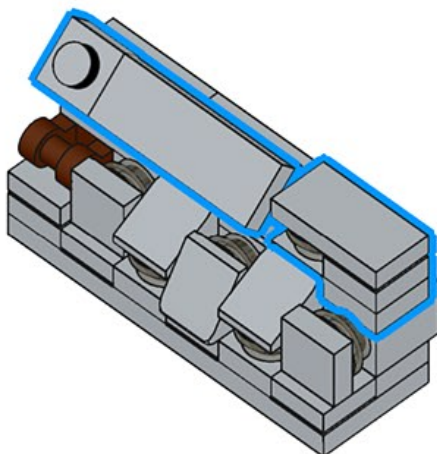
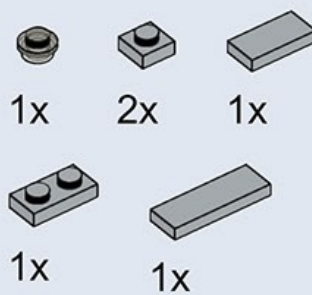


**2**

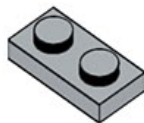


2x

# 327



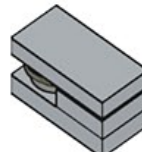
**1**



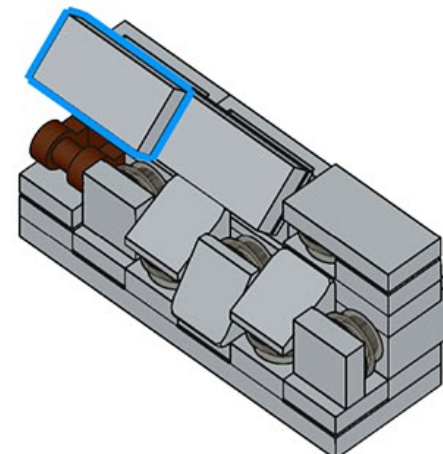
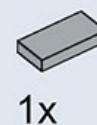
**2**



**3**

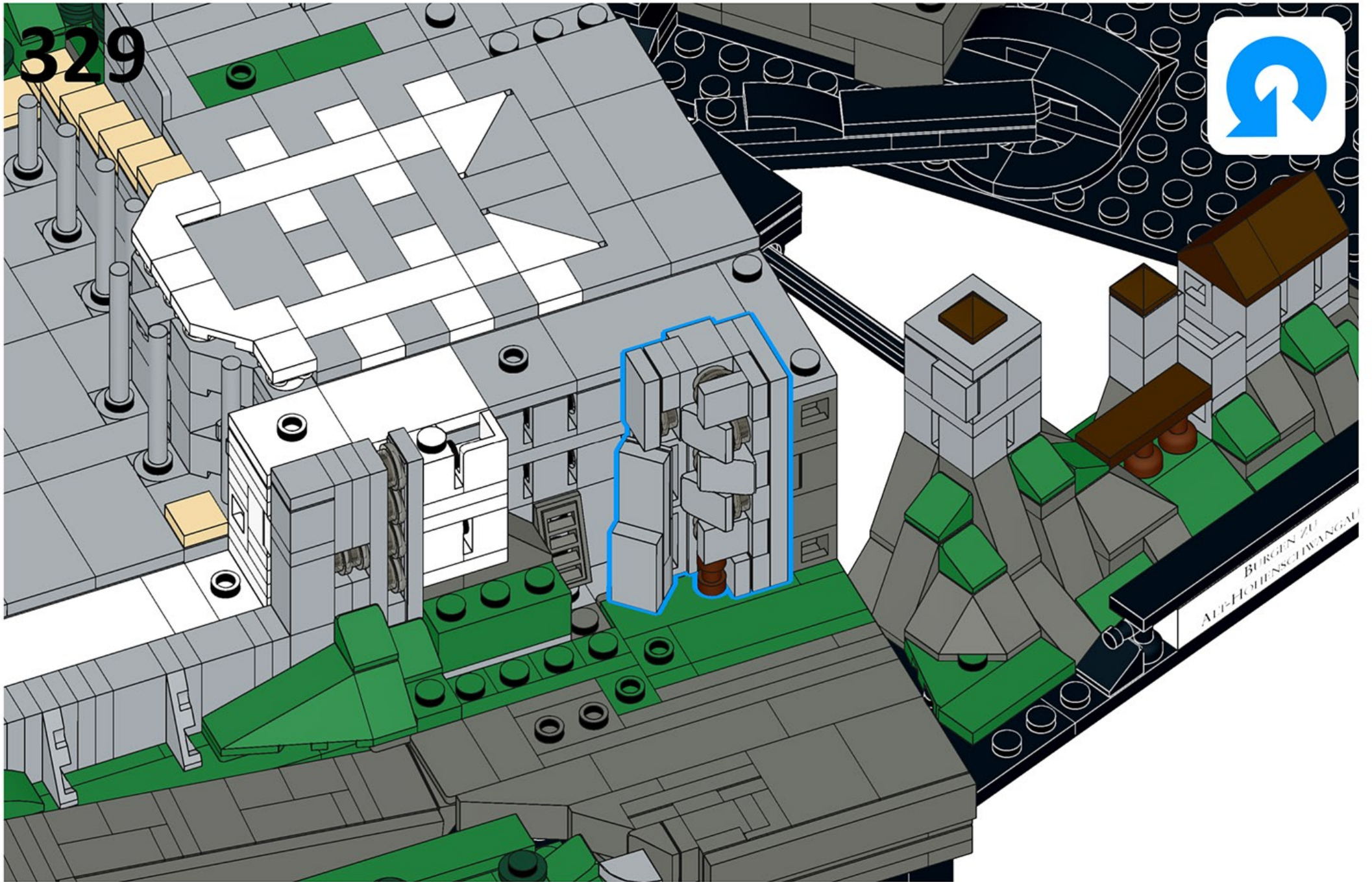


# 328



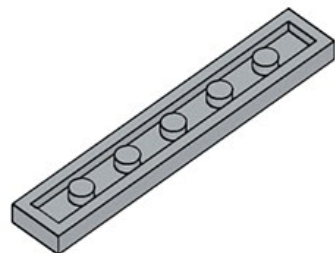
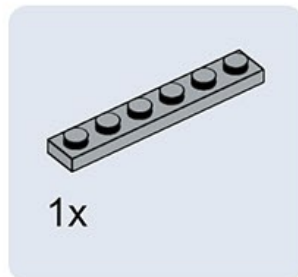


329

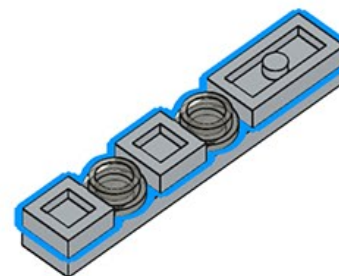
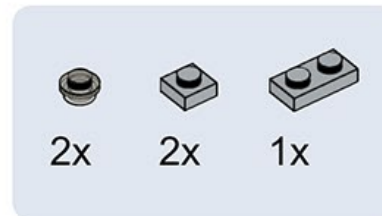




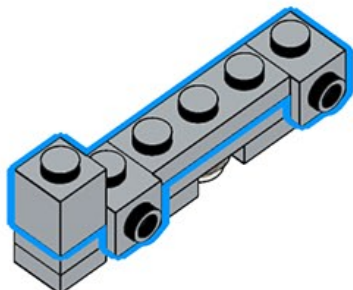
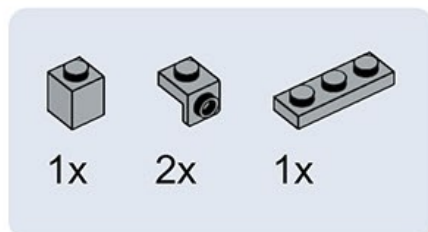
# 330



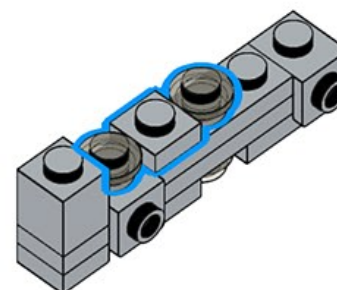
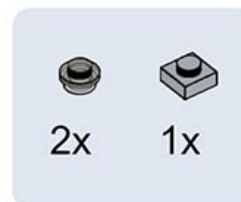
# 331



# 332

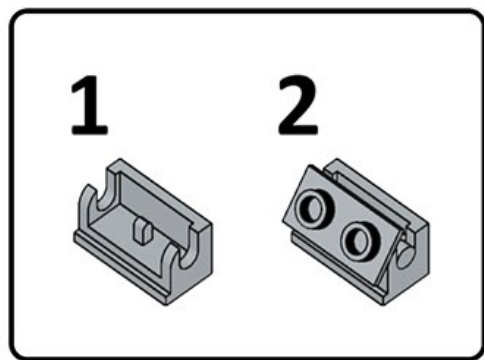
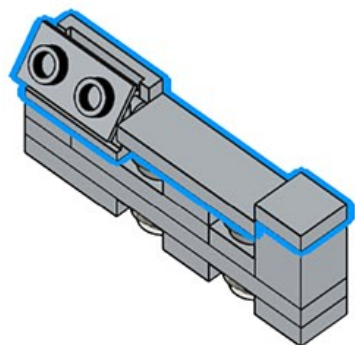
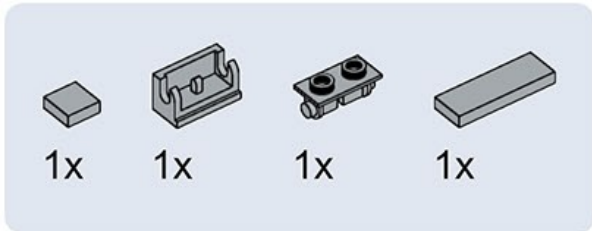


# 333

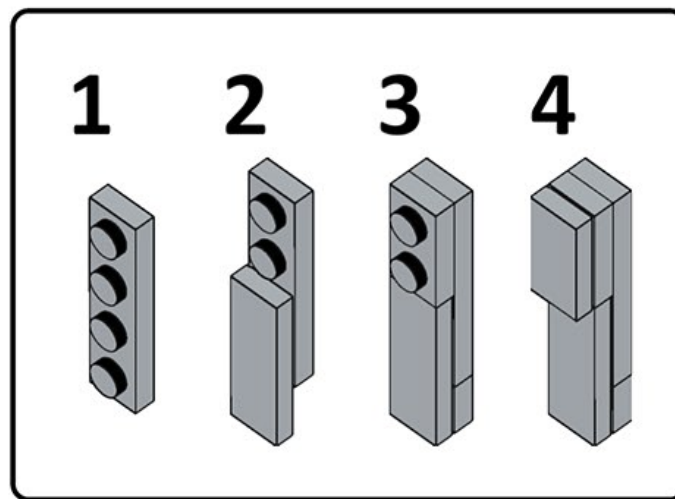
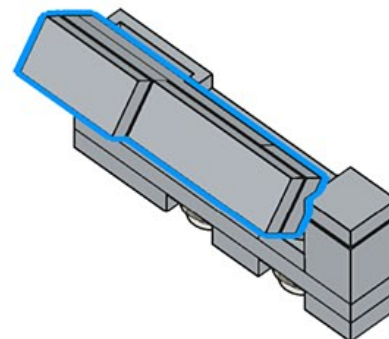
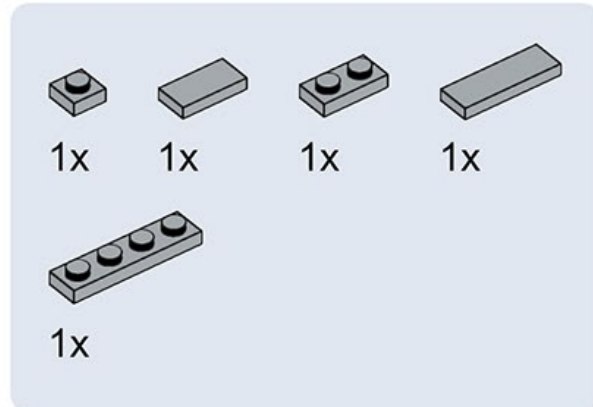




# 334

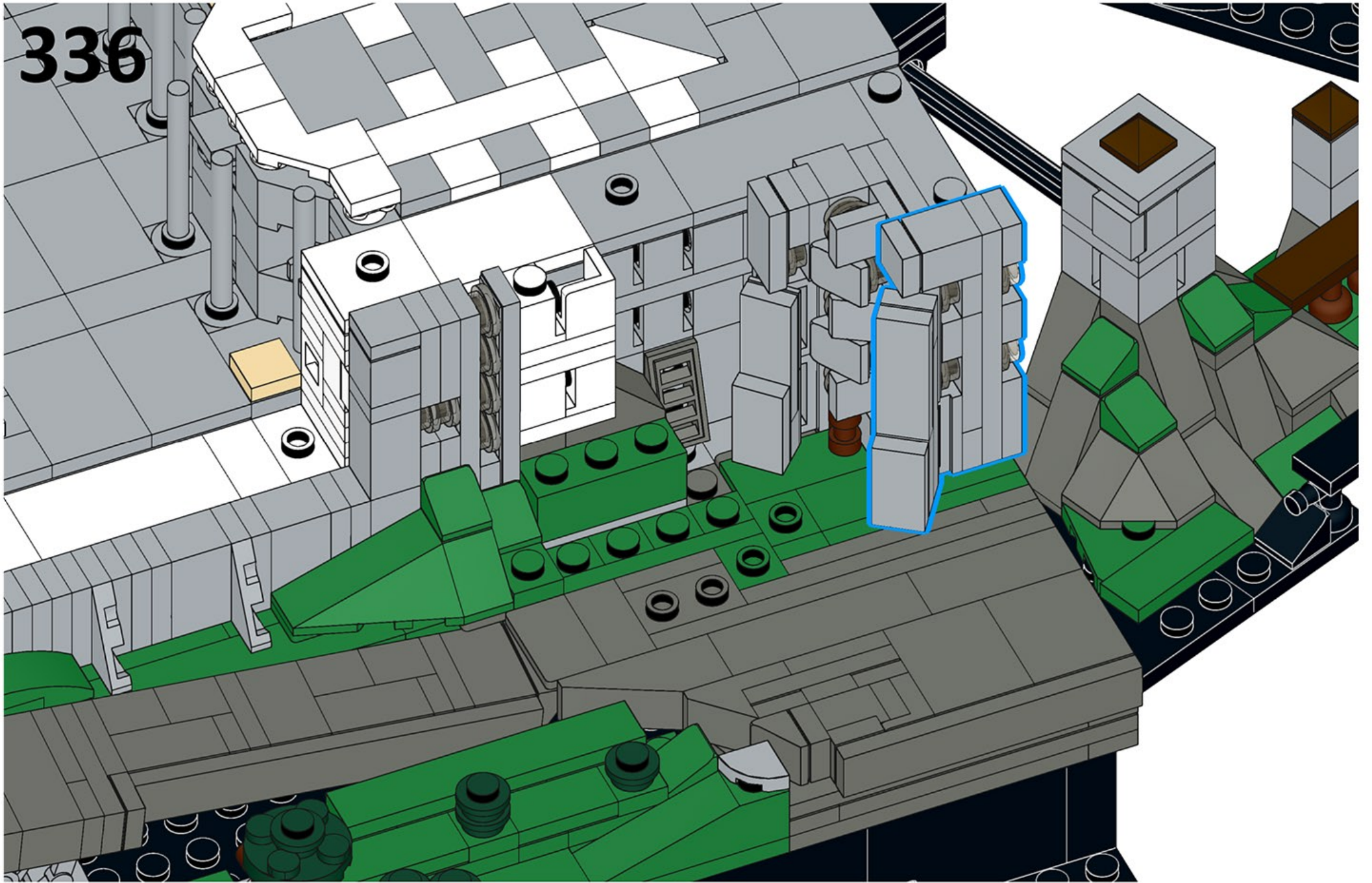


# 335





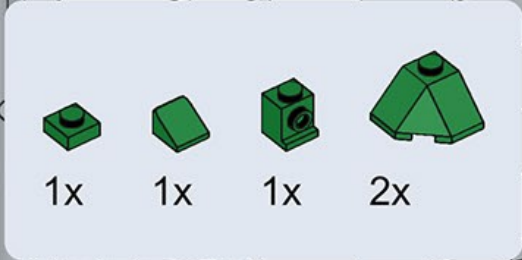
336



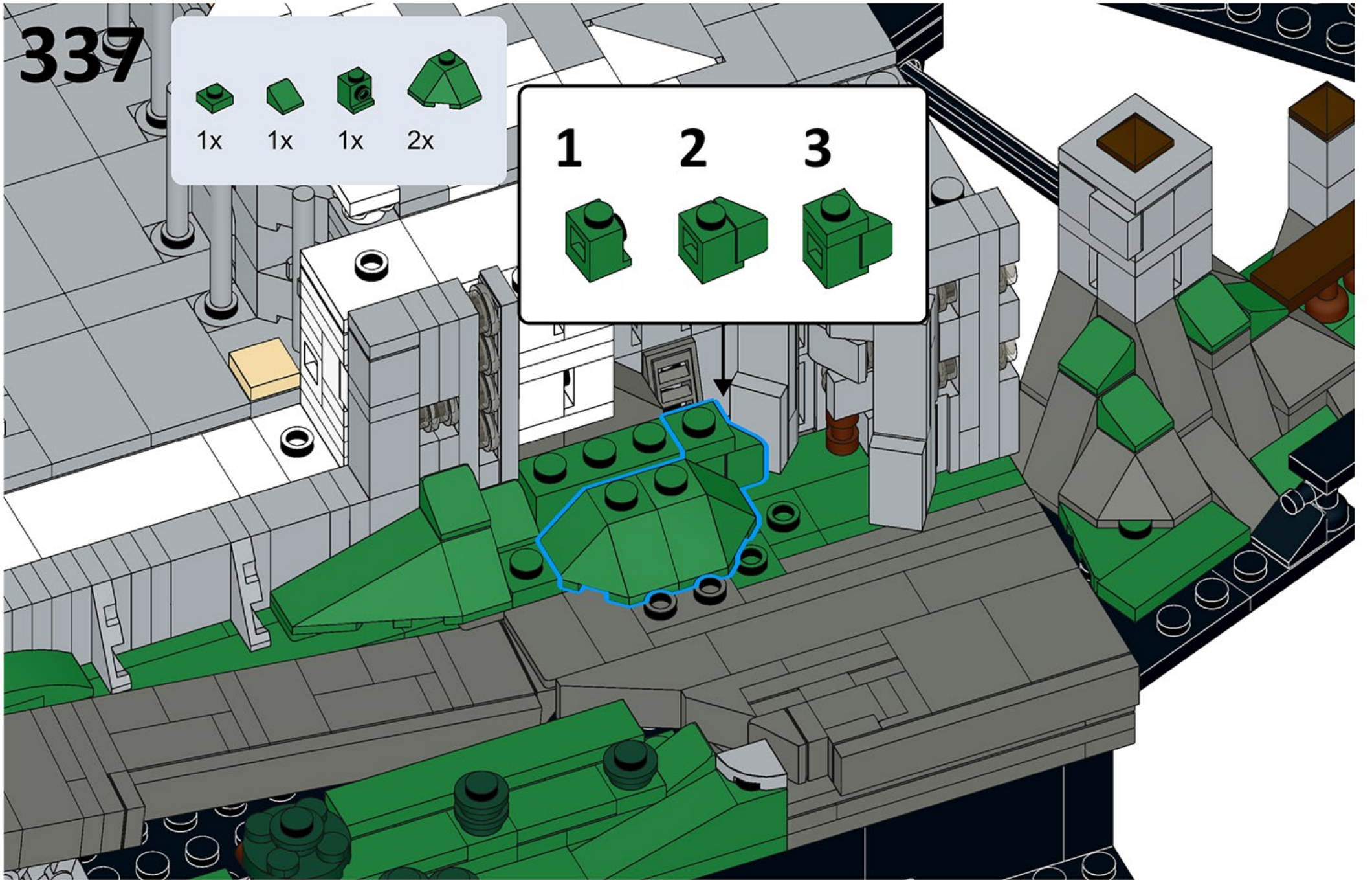
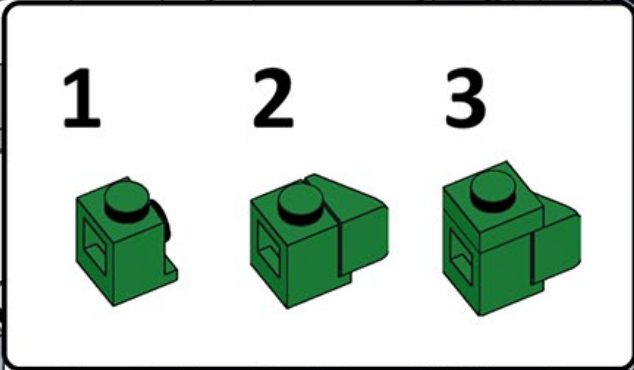


337

1x 1x 1x 2x












1 2 3

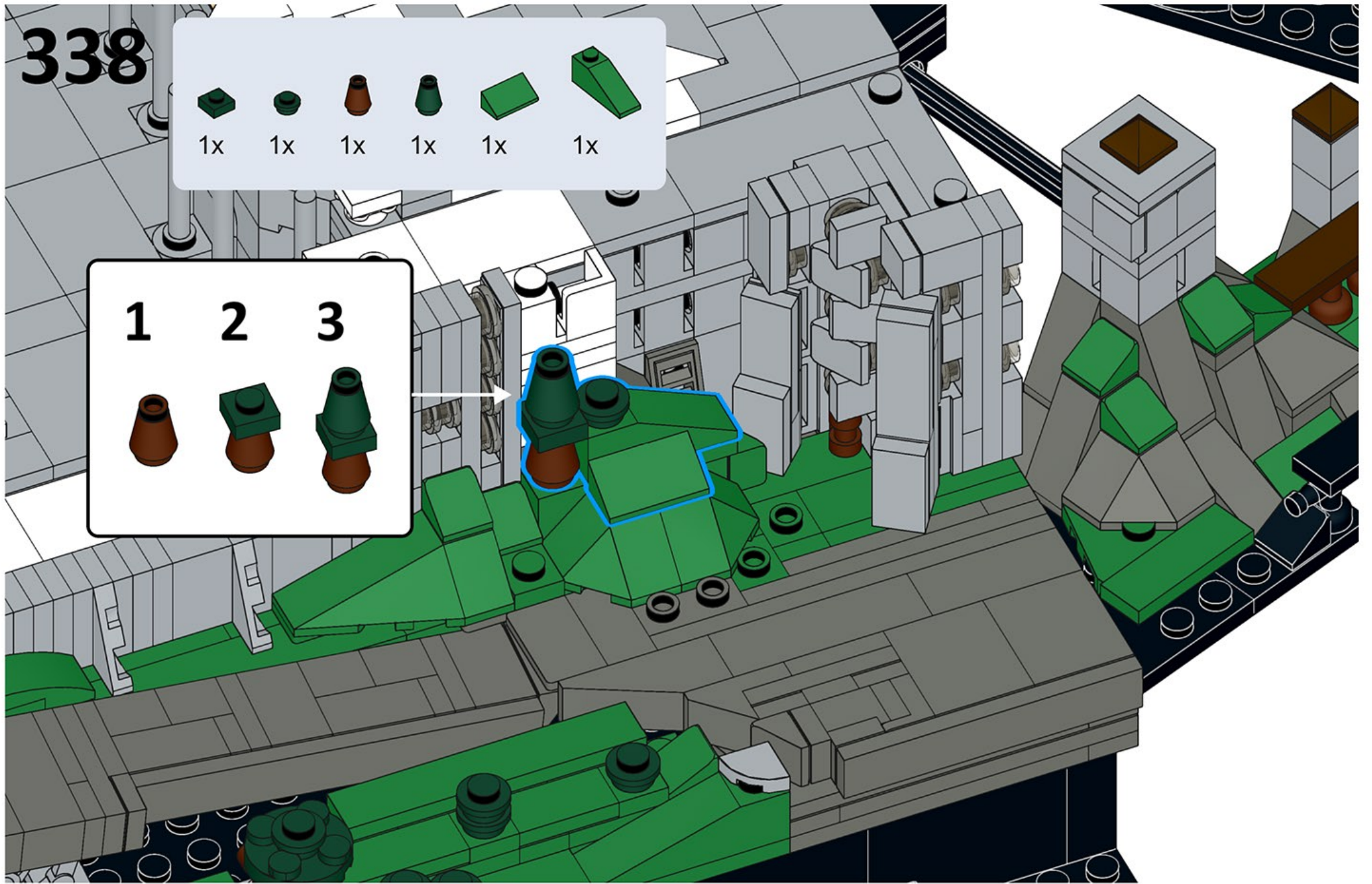




338

- 1x 
- 1x 
- 1x 
- 1x 
- 1x 
- 1x 

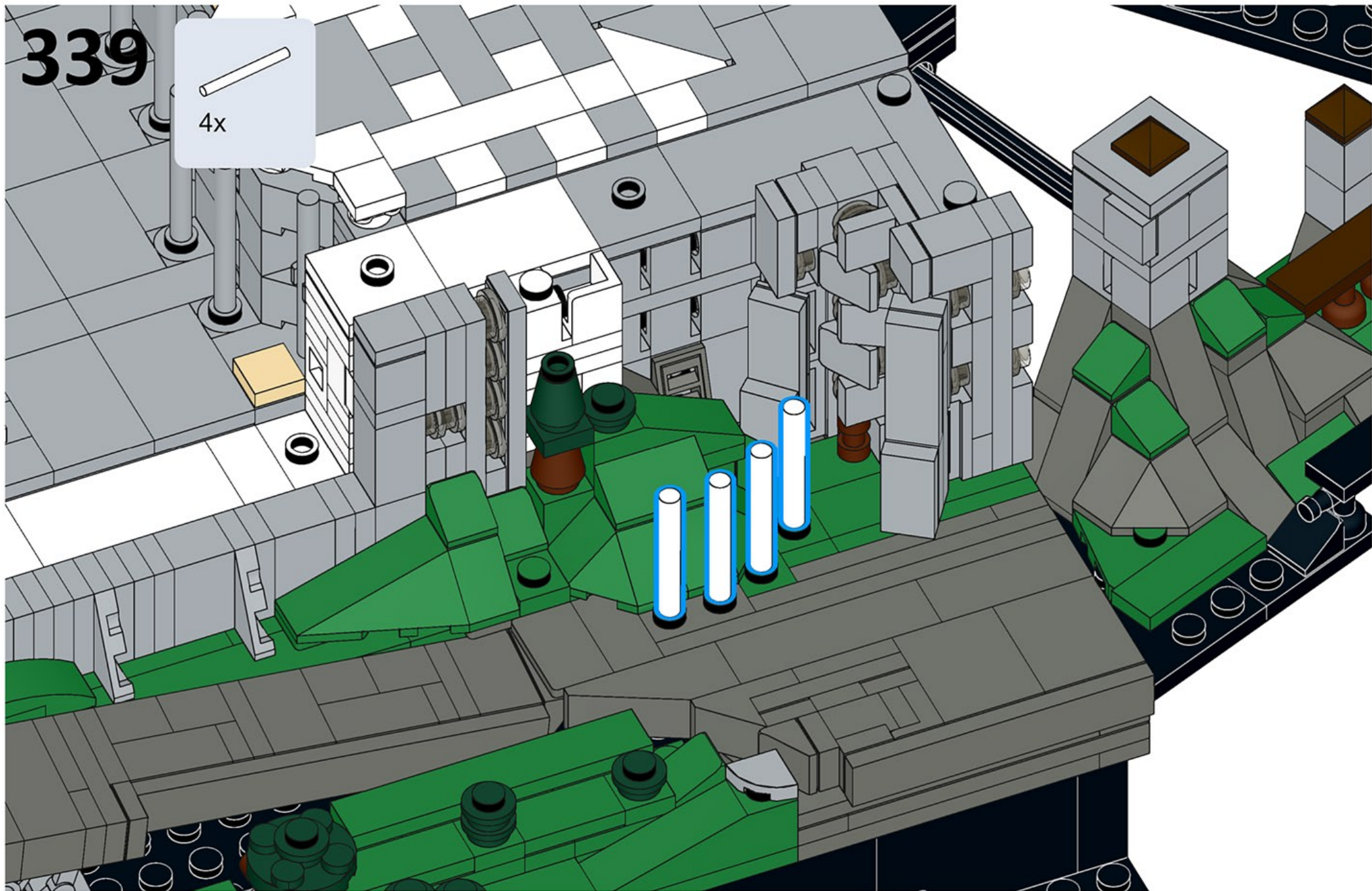

- 1 
- 2 
- 3 





339

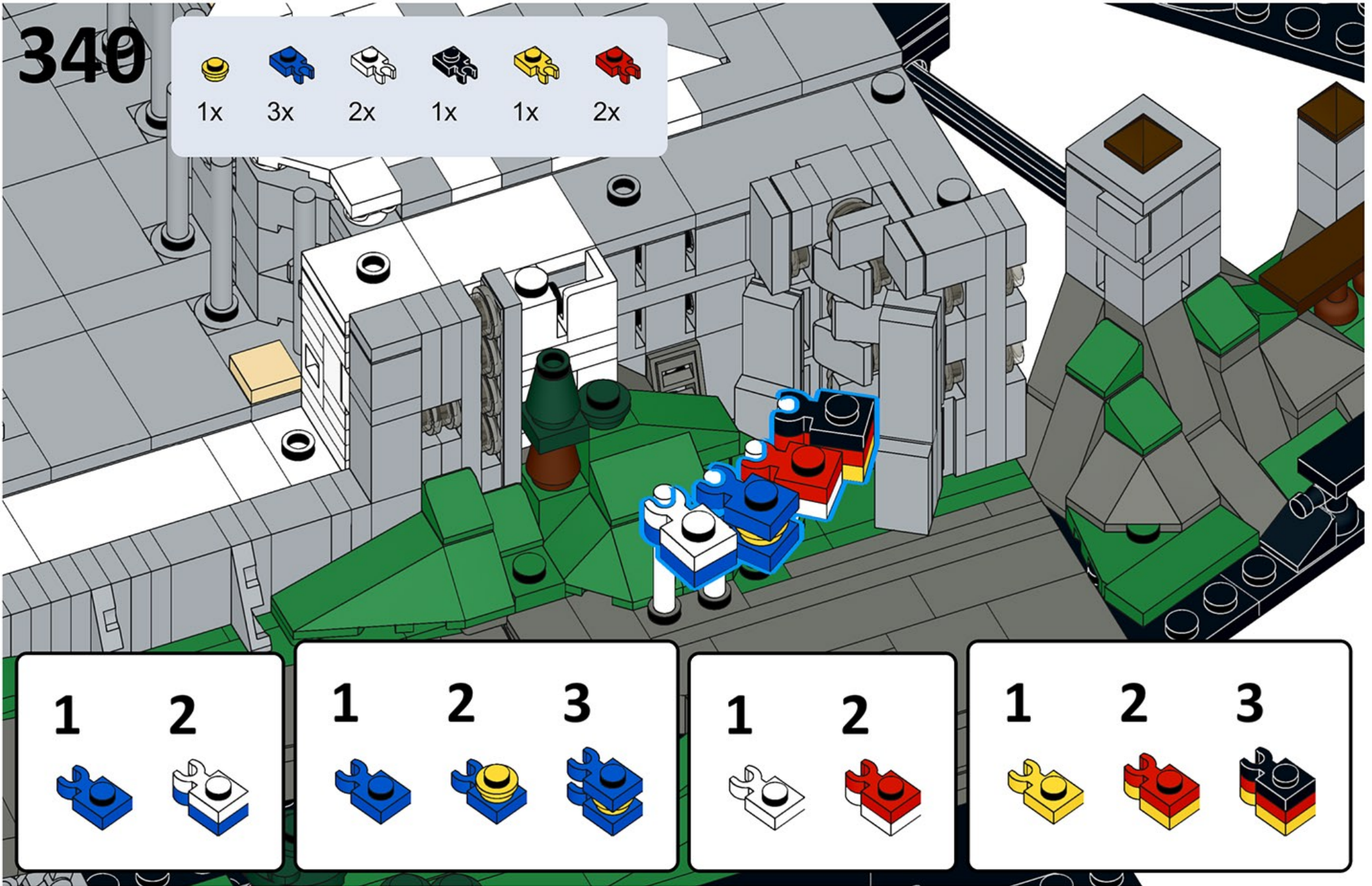
4x










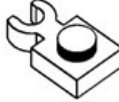

340




					
1x	3x	2x	1x	1x	2x



1	2
	

1	2	3
		

1	2
	

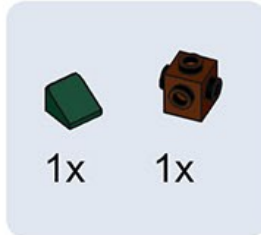
1	2	3
		



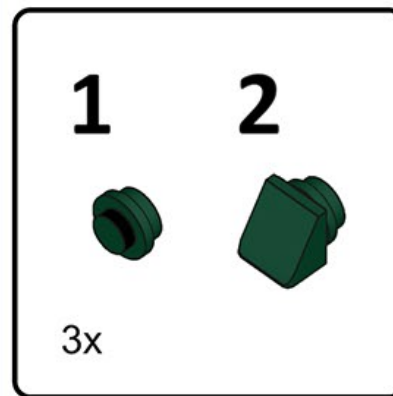
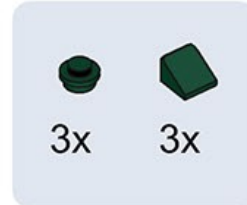
# 341



# 342

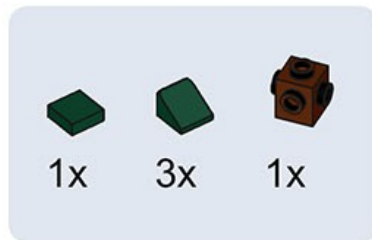


# 343





# 344



1



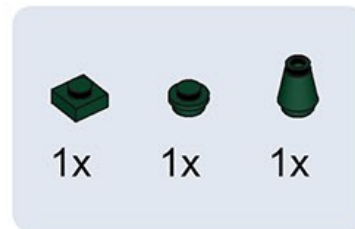
2



3



# 345



1



2

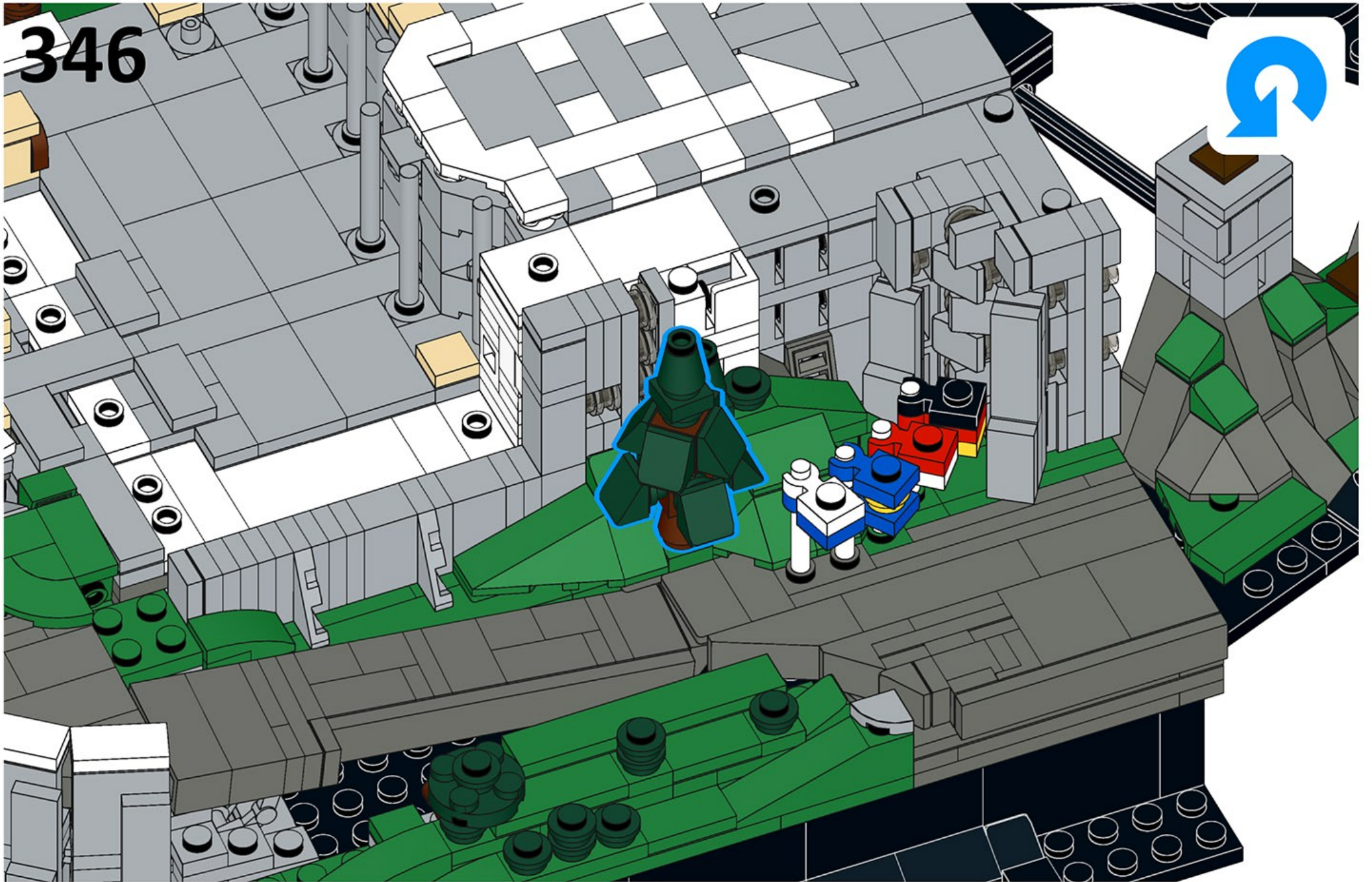


3





346





# 347



1x



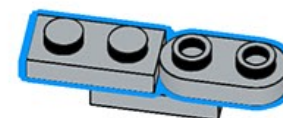
# 348



1x



1x



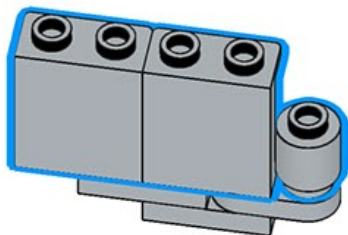
# 349



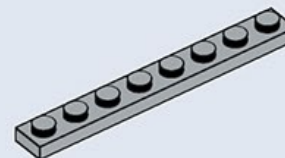
1x



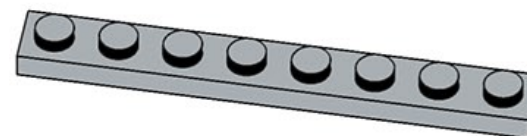
2x



# 350

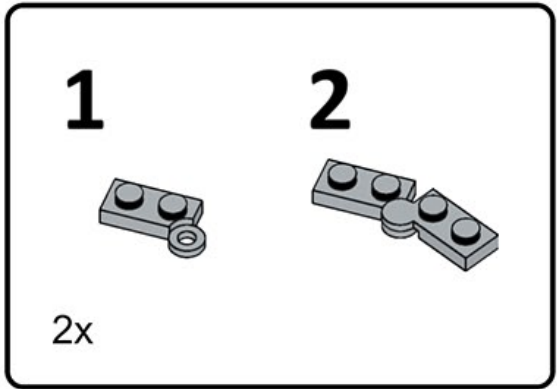
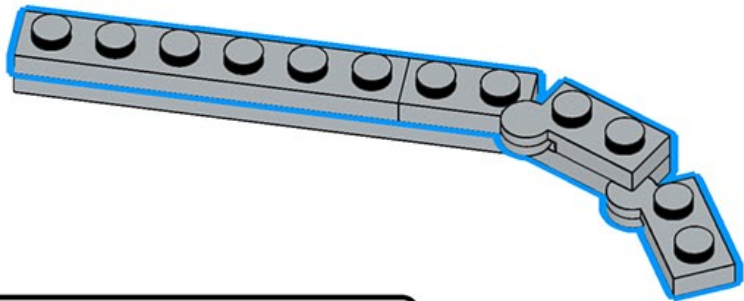
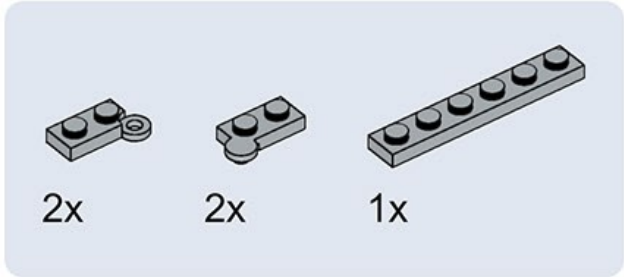


1x

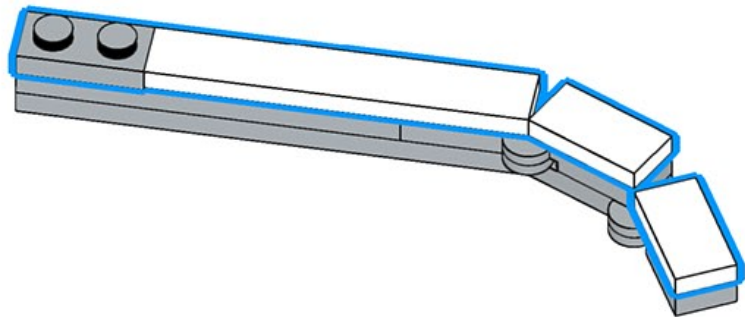
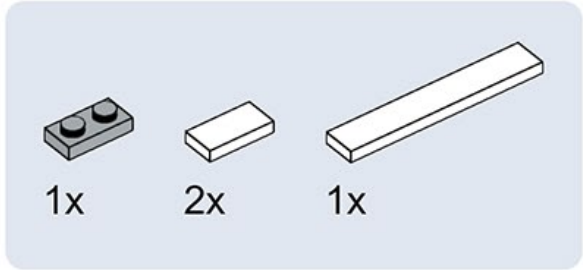




# 351

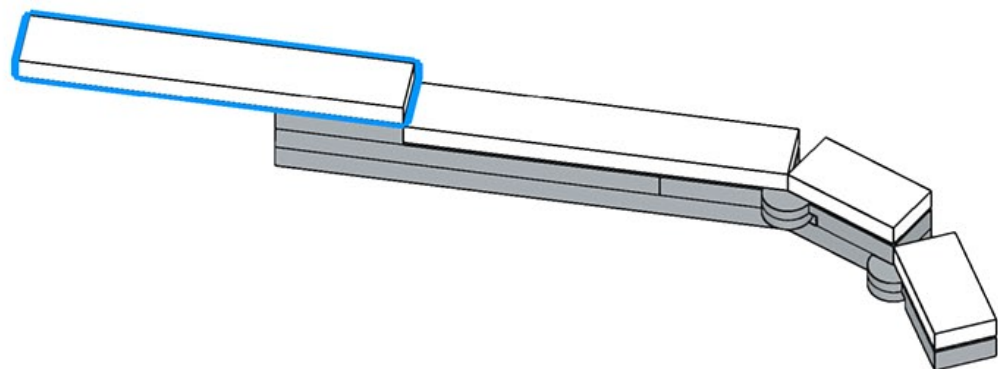
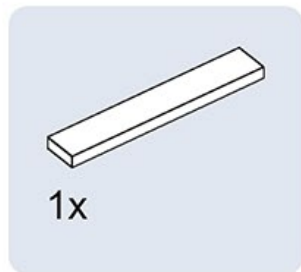


# 352

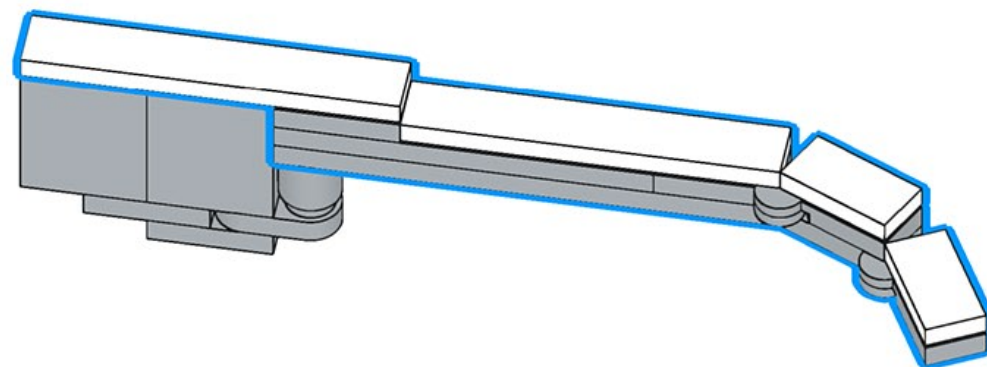




# 353

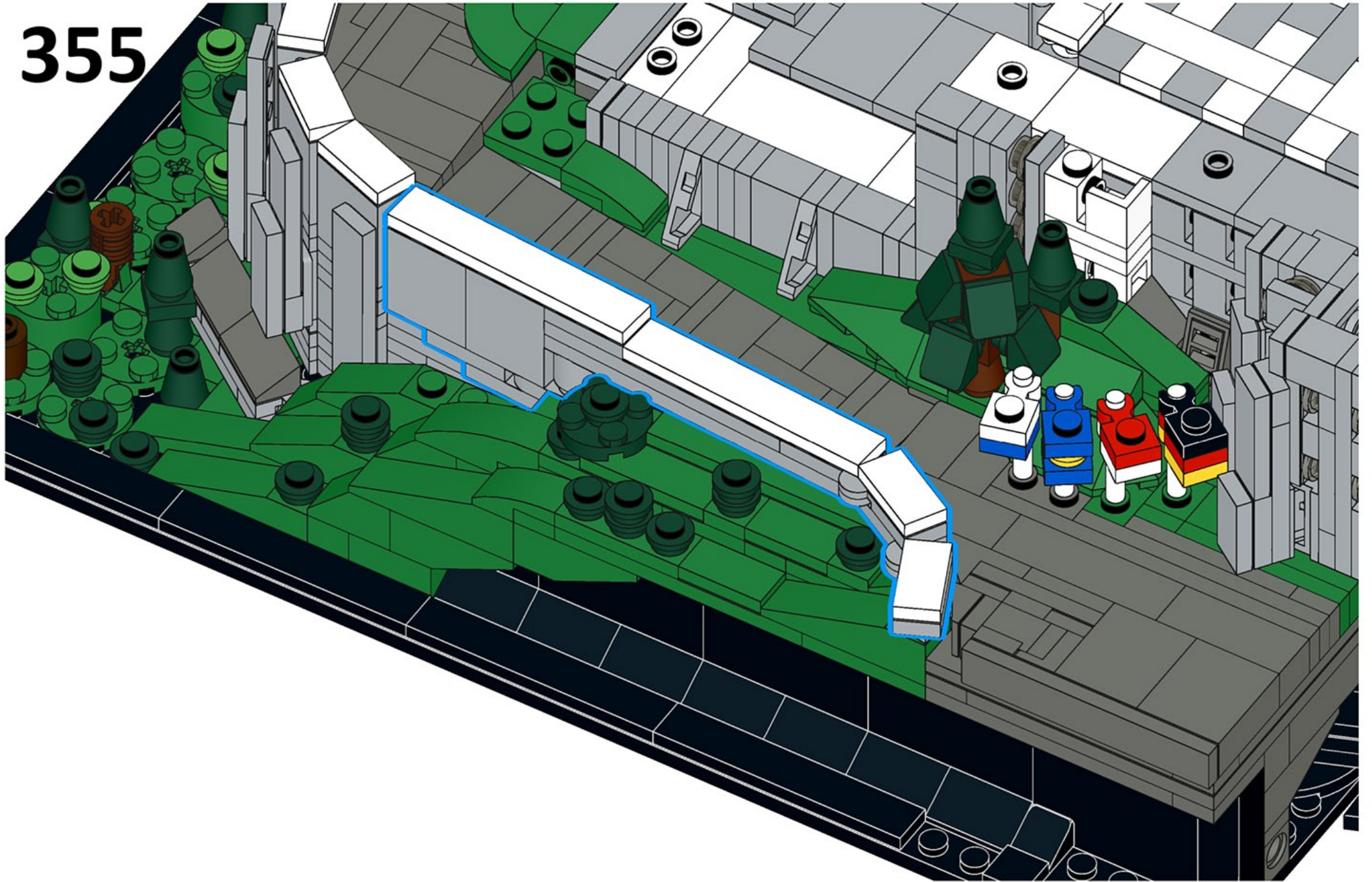


# 354





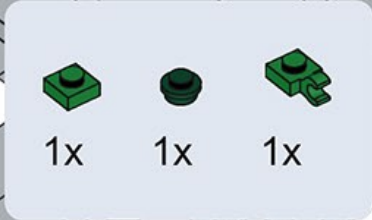
355



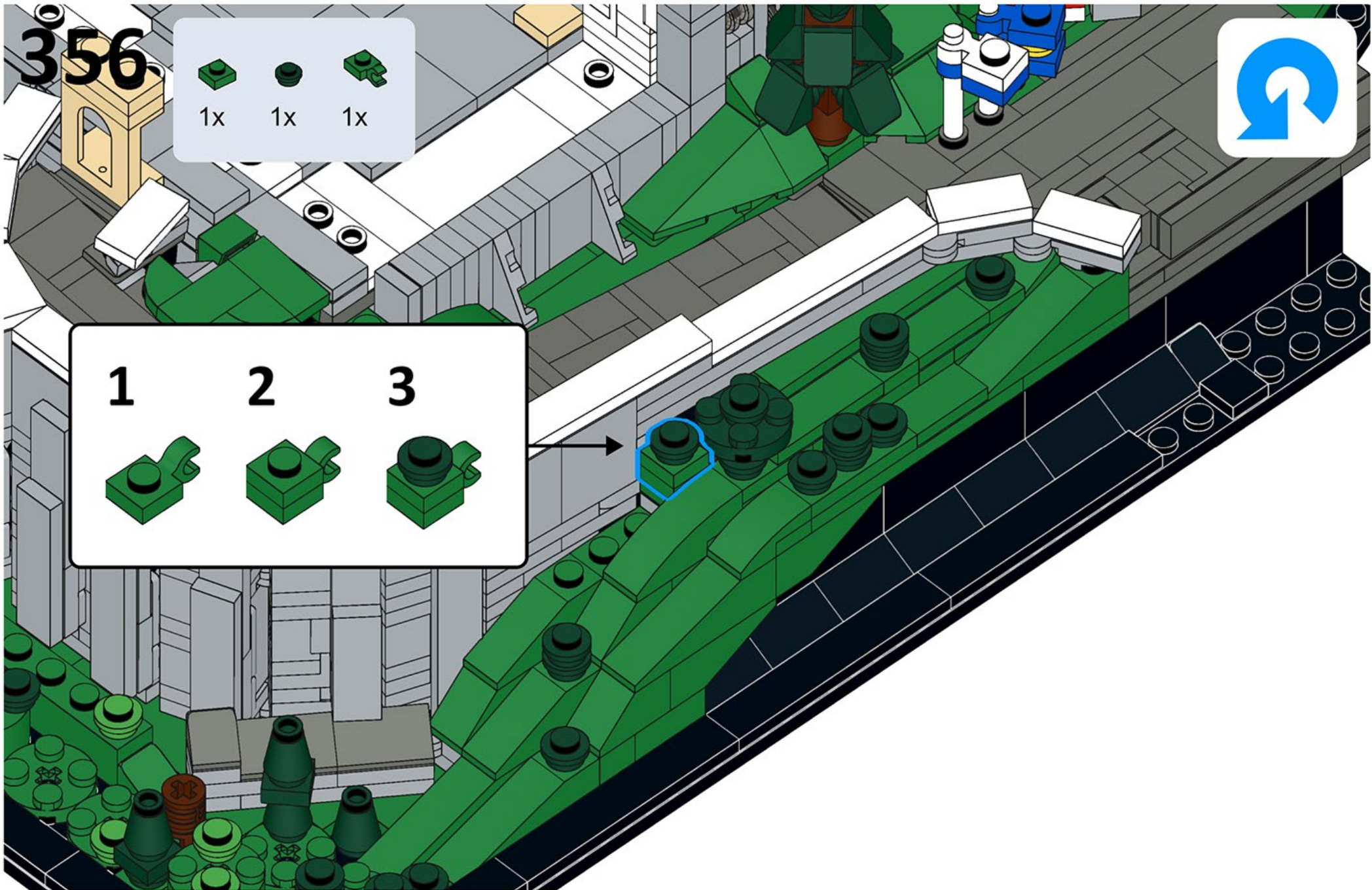
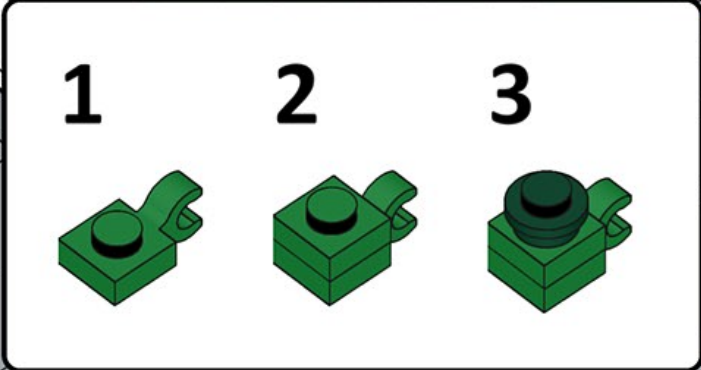


356

1x 1x 1x



1 2 3

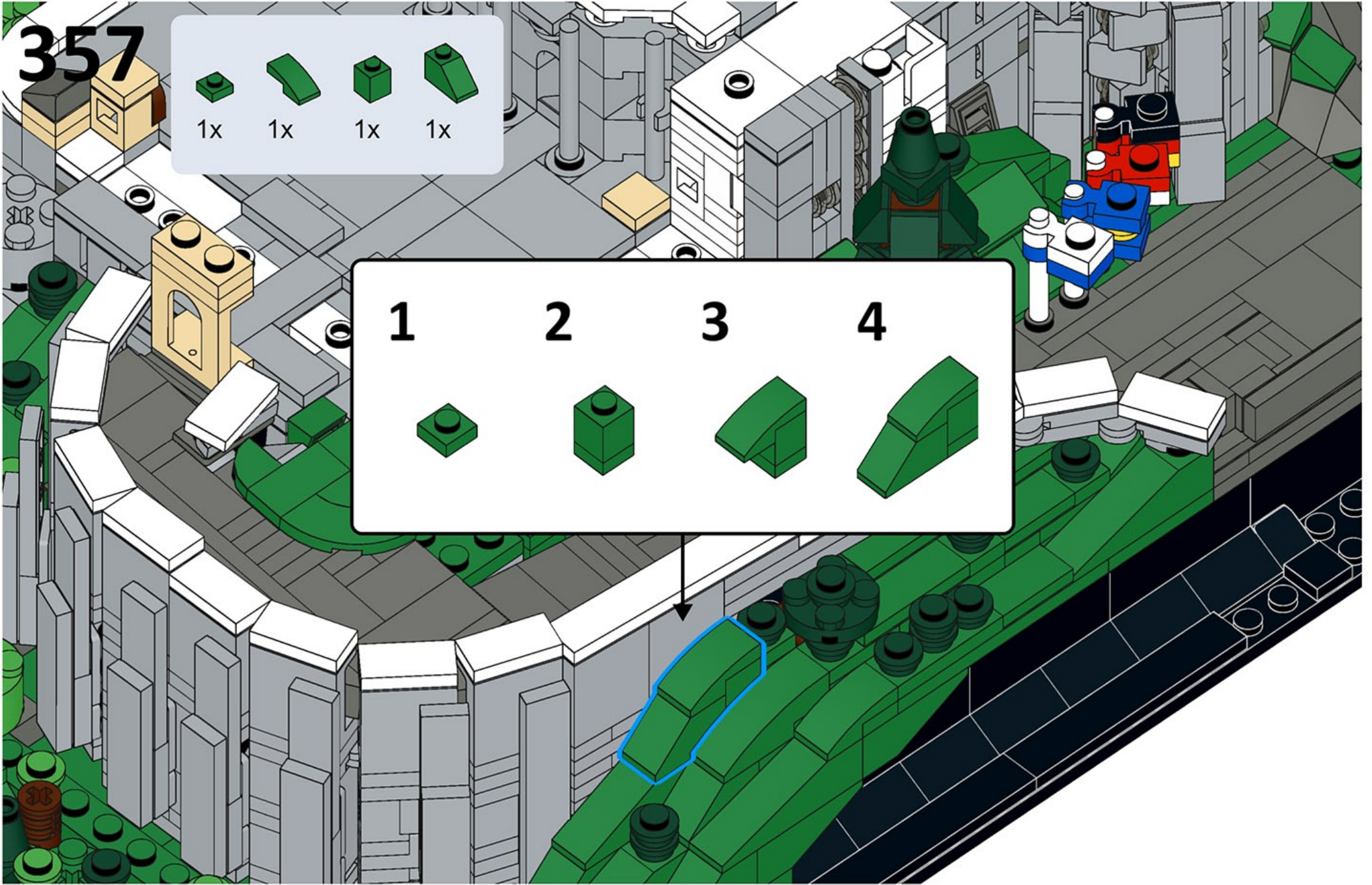




357

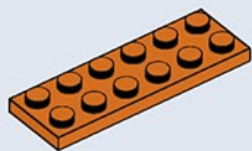
1x 1x 1x 1x

1 2 3 4

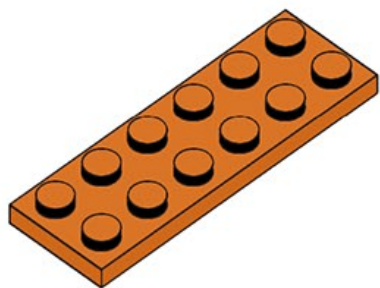




# 358



1x



# 359



4x

1x

1x

2x

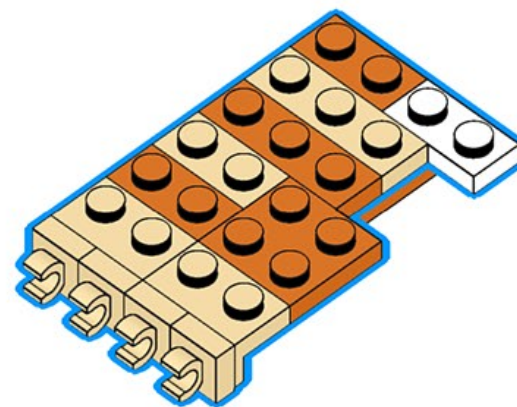
1x



1x

2x

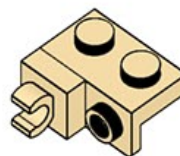
1x



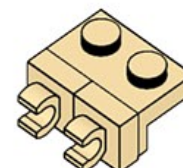
## 1



## 2



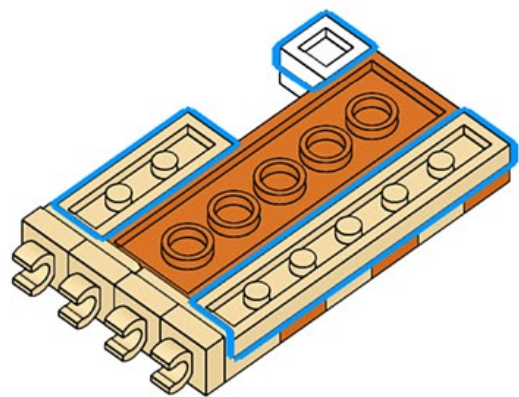
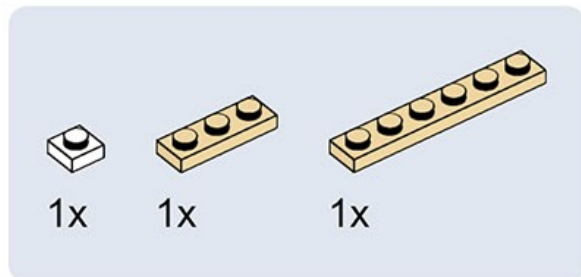
## 3



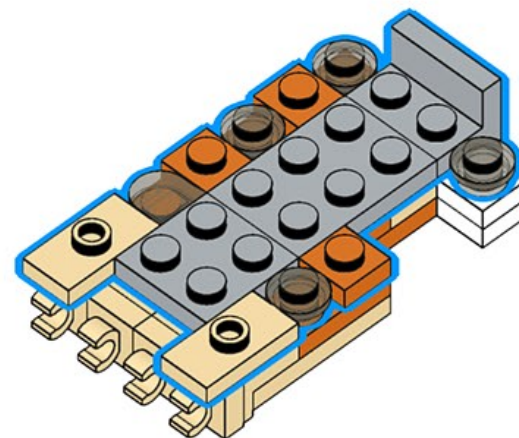
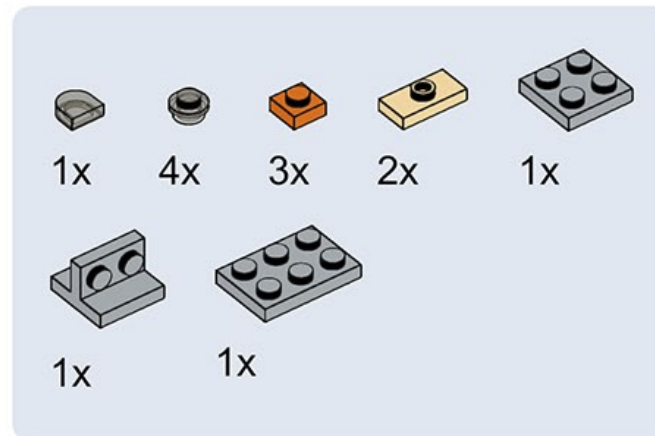
2x



# 360

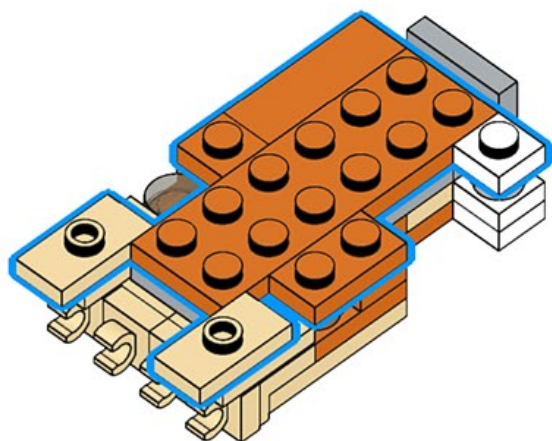
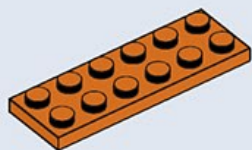
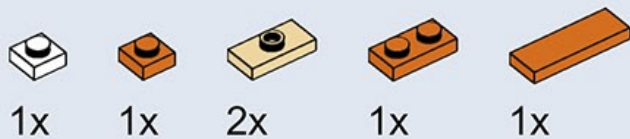


# 361

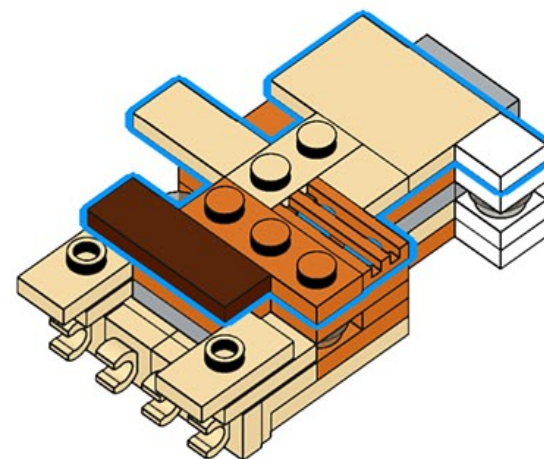
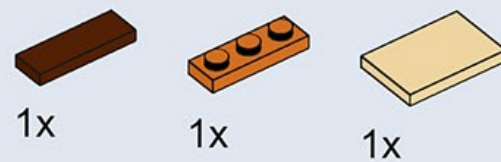
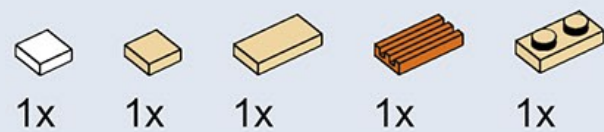




# 362



# 363





# 364



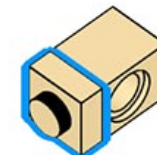
1x



# 365



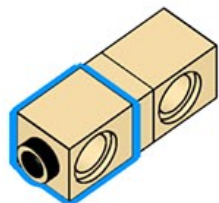
1x



# 366



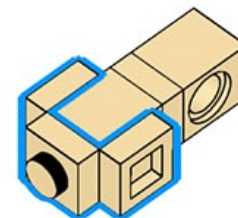
1x



# 367





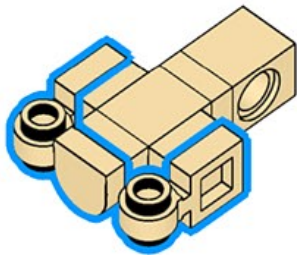
3x






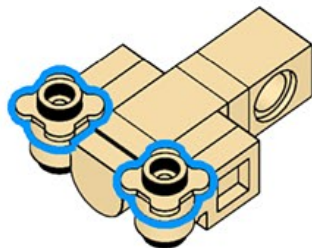
# 368

1x  2x 

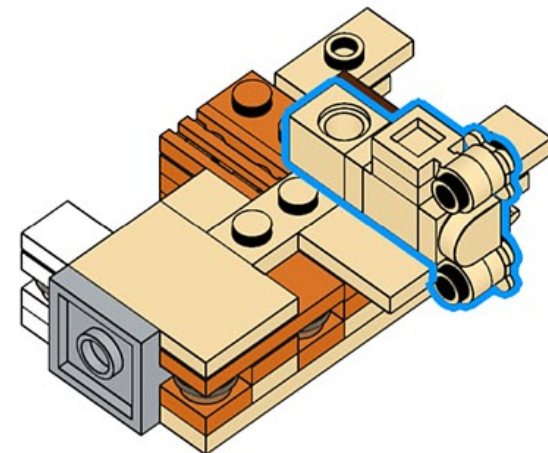


# 369

2x 



# 370





# 371



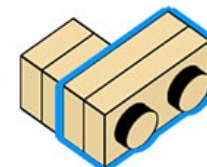
2x



# 372



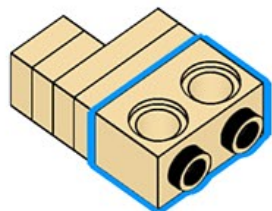
2x



# 373



1x



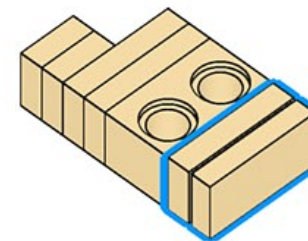
# 374



1x

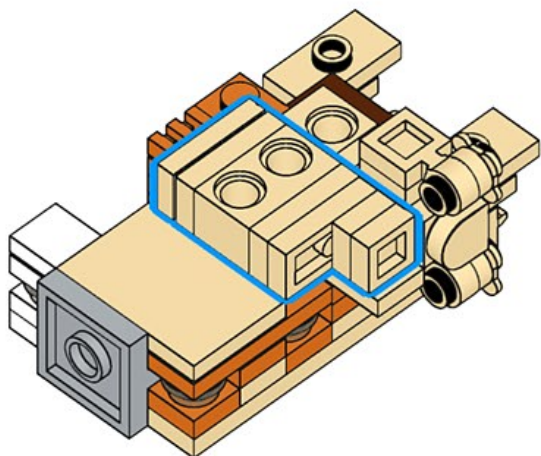


1x





# 375



# 376



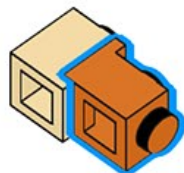
1x



# 377



1x



# 378



1x



1x



1x



1x

1



2





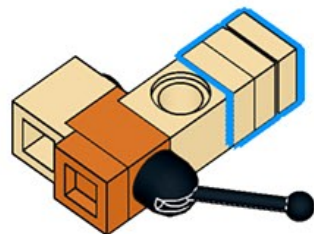
# 379



1x



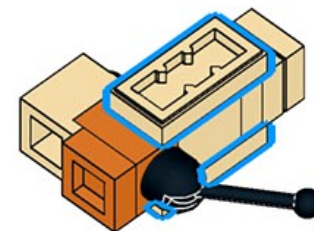
2x



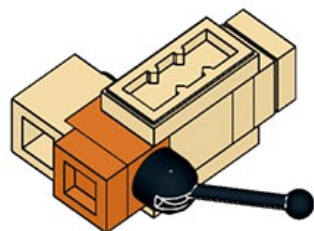
# 380



2x



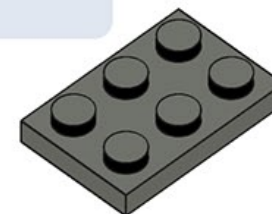
# 381



# 382

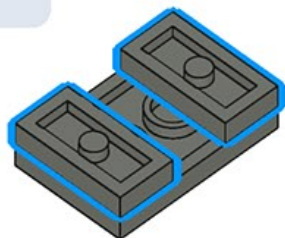
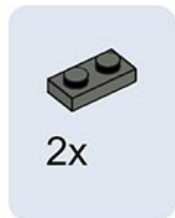


1x

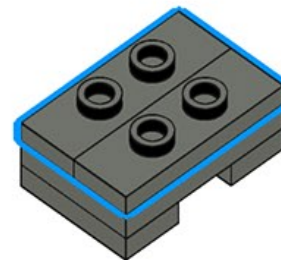
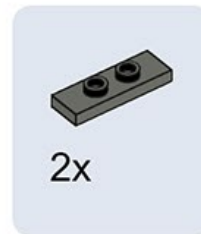




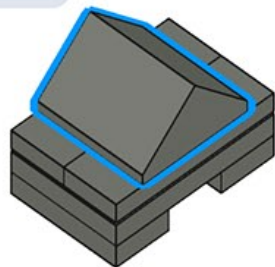
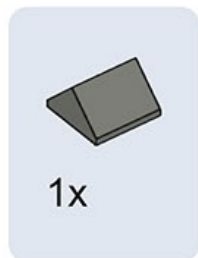
# 383



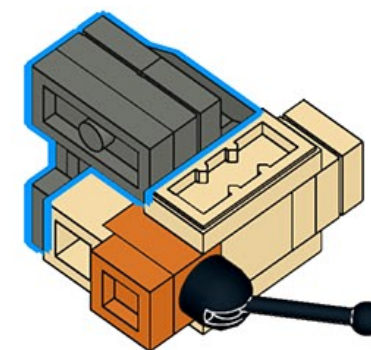
# 384



# 385



# 386





# 387



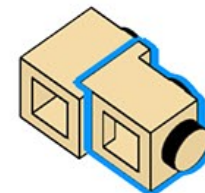
1x



# 388



1x



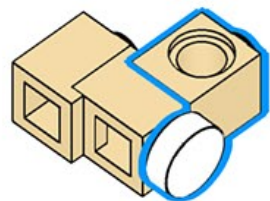
# 389



1x



1x



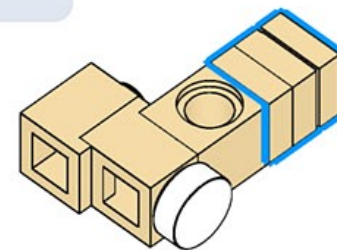
# 390



1x

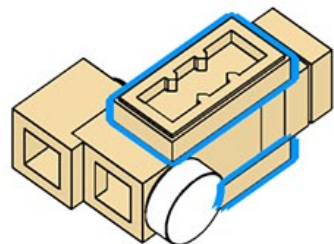
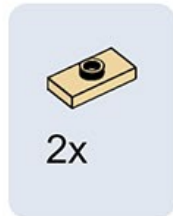


2x

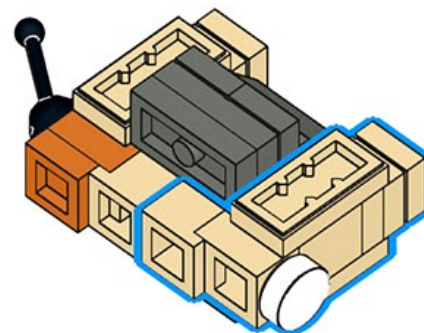




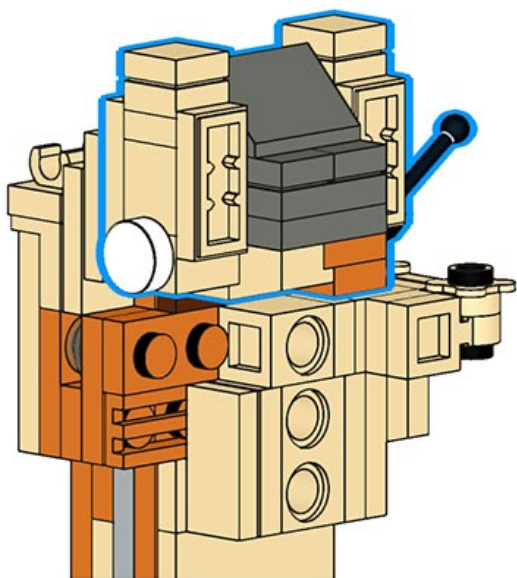
# 391



# 392



# 393

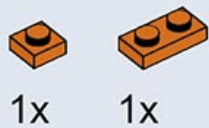


# 394





# 395



# 396



# 397

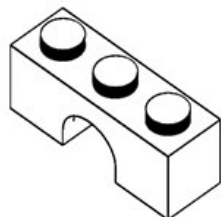
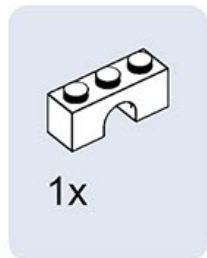


# 398

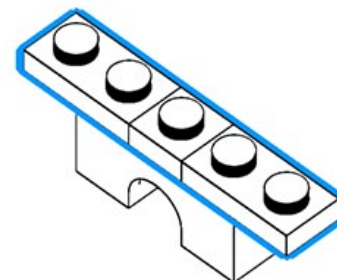
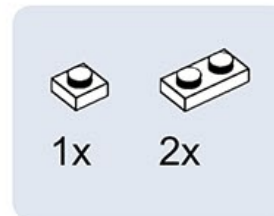




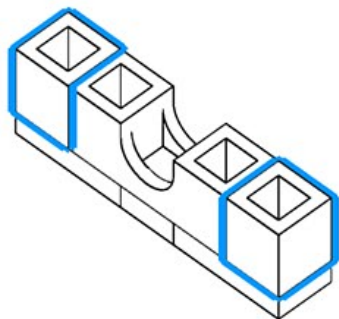
# 399



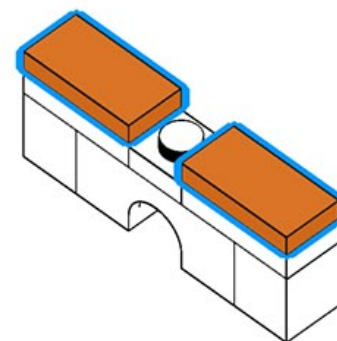
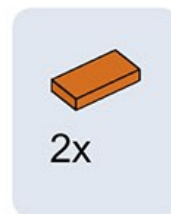
# 400



# 401

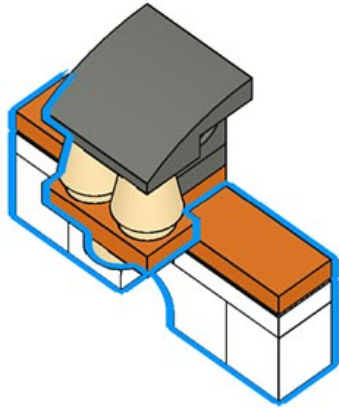


# 402

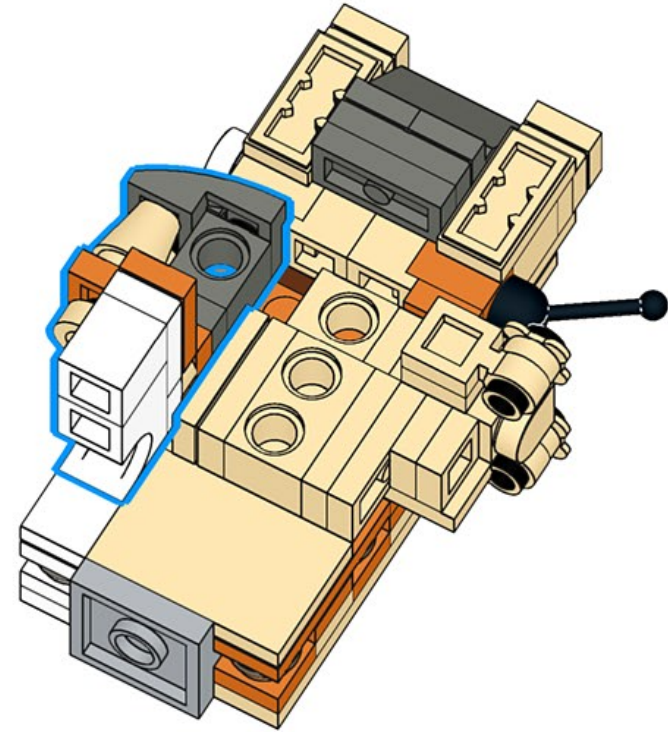




# 403

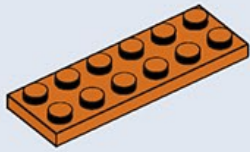


# 404

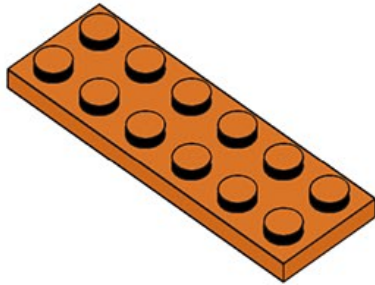




# 405



1x



# 406



4x

1x

1x

2x

1x



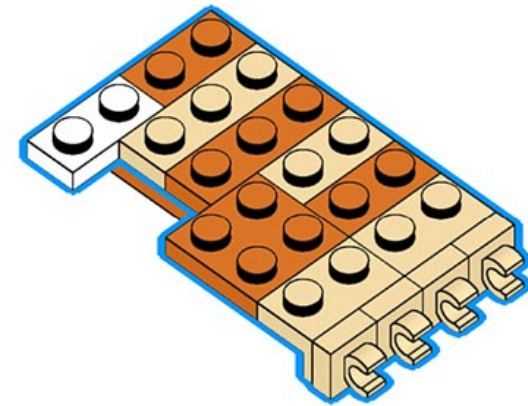
1x



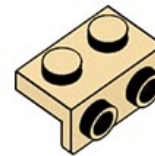
2x



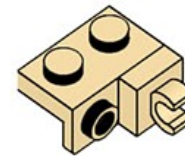
1x



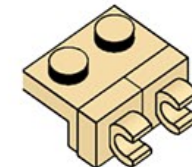
## 1



## 2



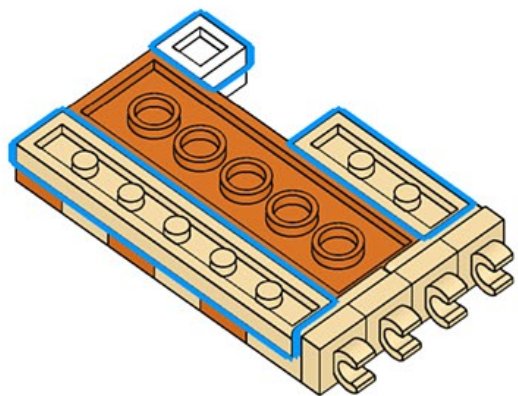
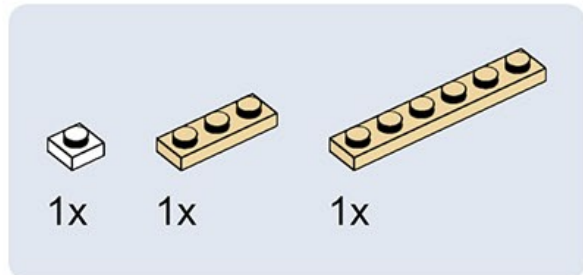
## 3



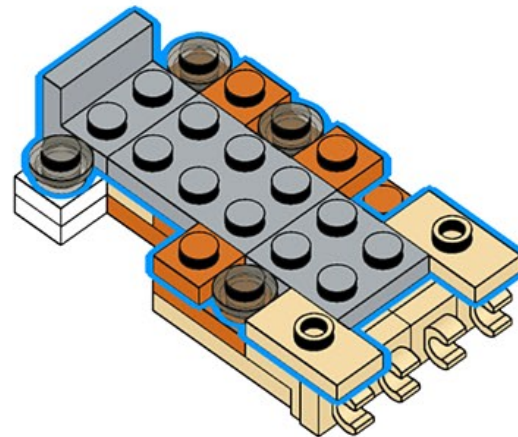
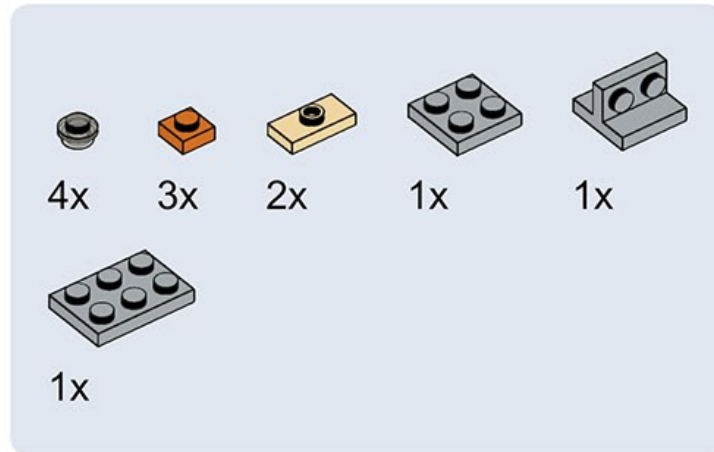
2x



# 407

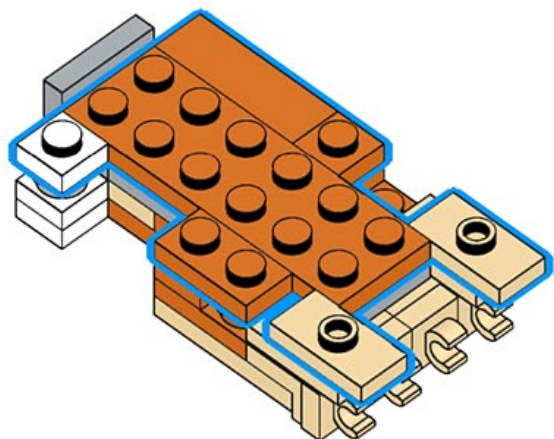
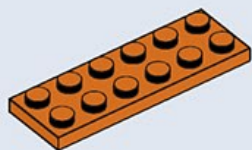
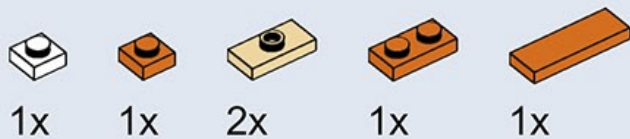


# 408

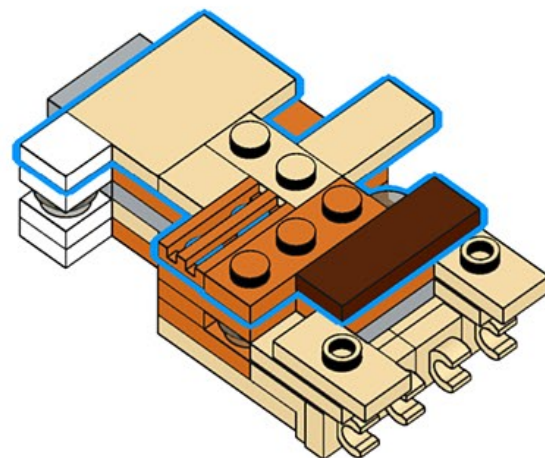
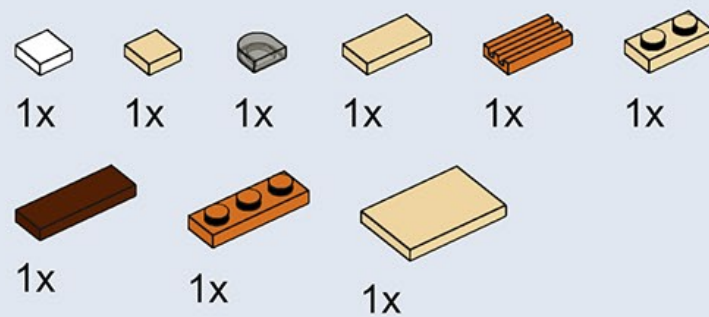




# 409

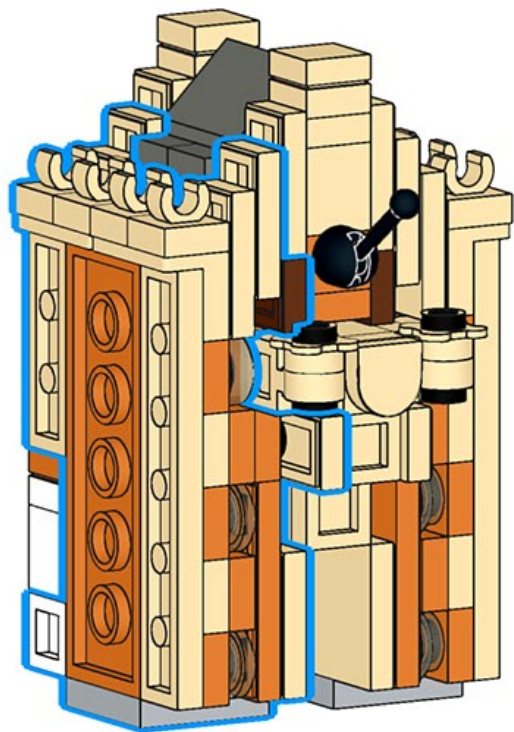


# 410

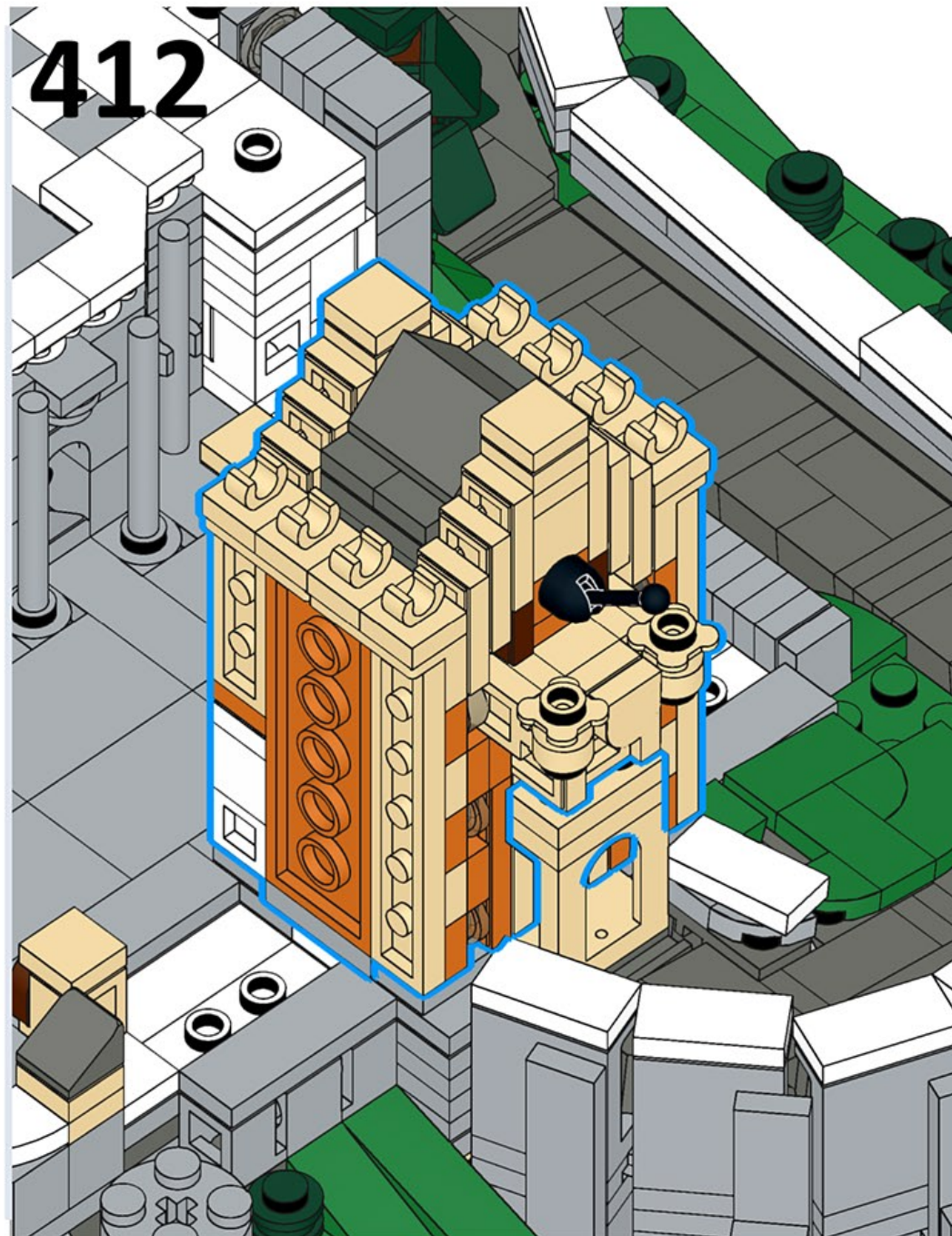




411



412





# 413



1x



# 414



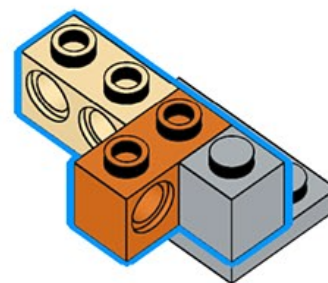
1x



1x

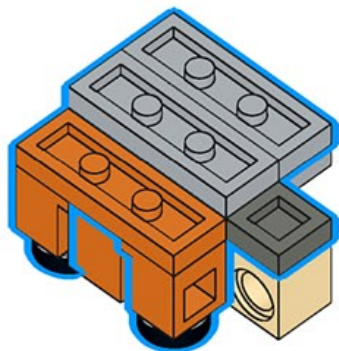
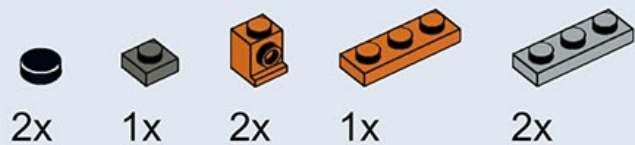


1x

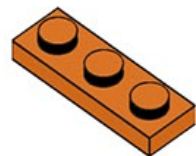




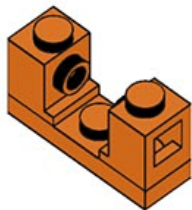
# 415



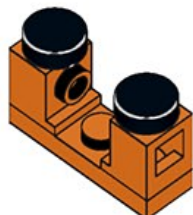
1



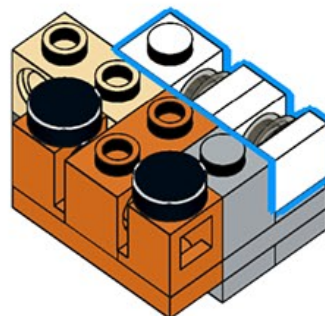
2



3



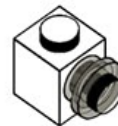
# 416



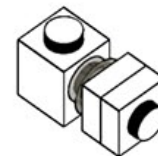
1



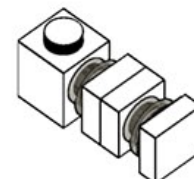
2



3



4

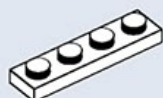




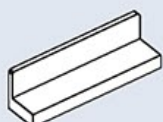
# 417



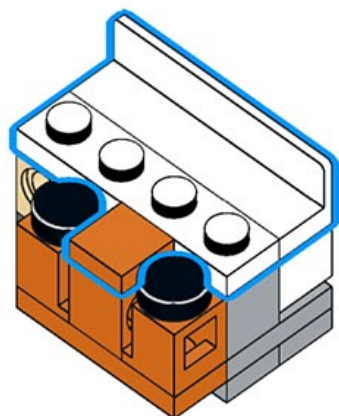
1x



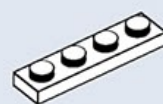
1x



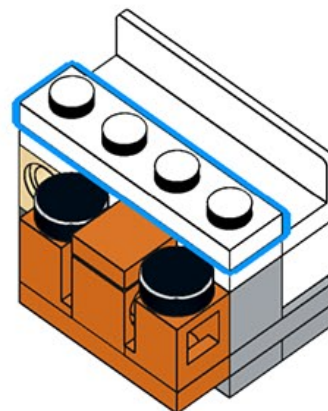
1x



# 418

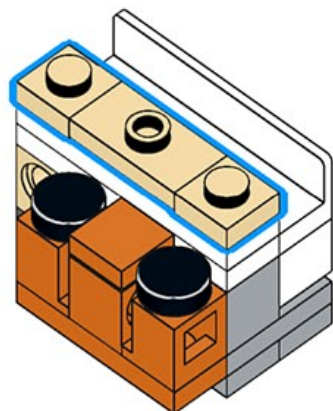
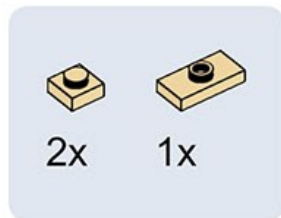


1x

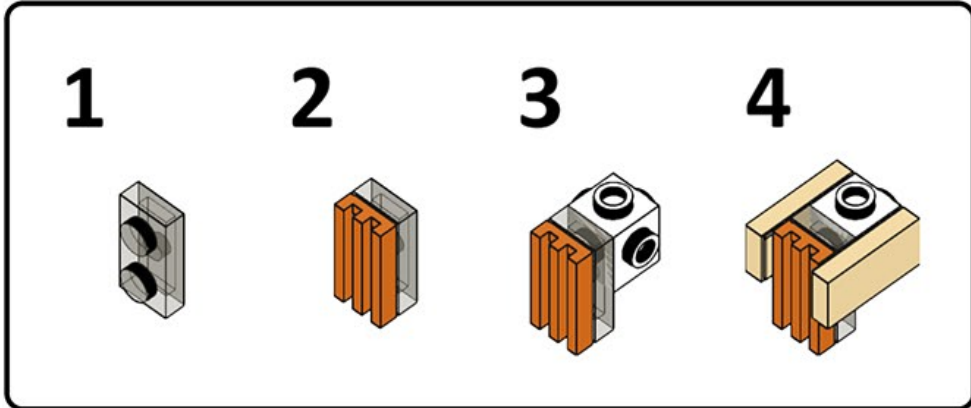
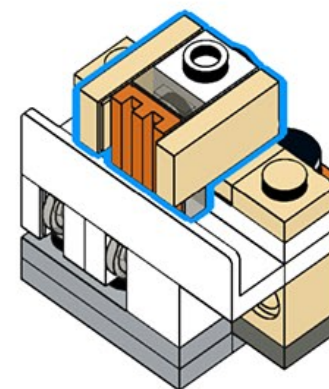
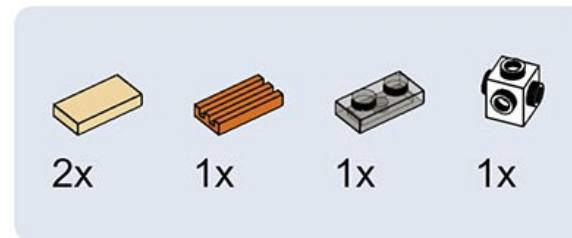




# 419

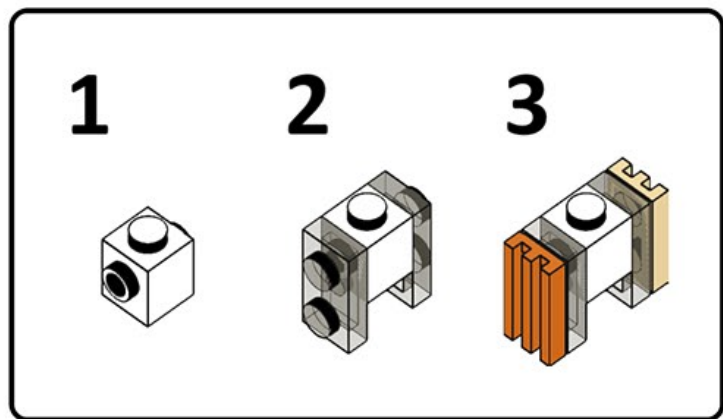
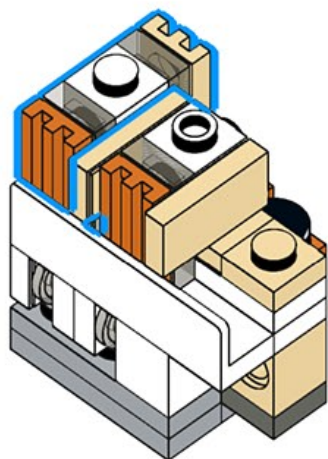
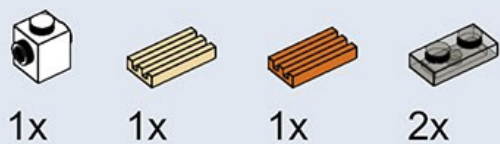


# 420

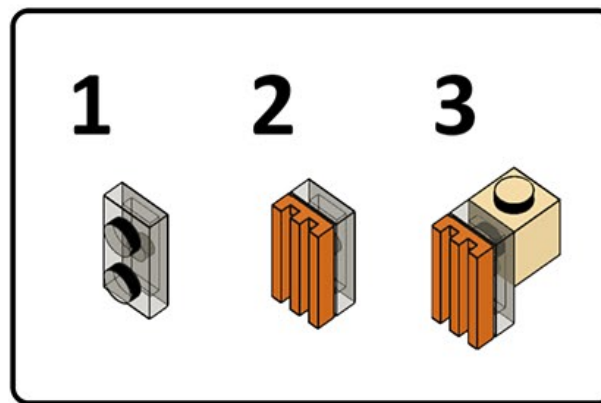
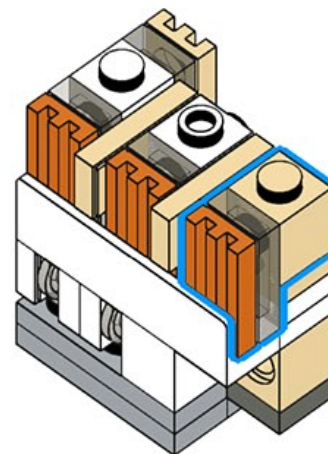




# 421

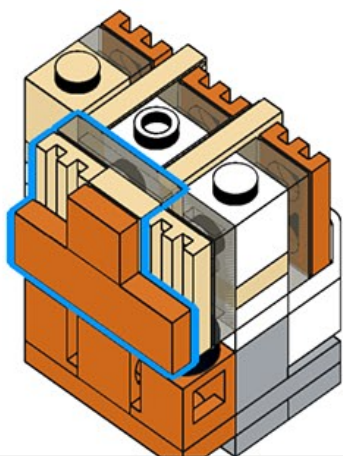
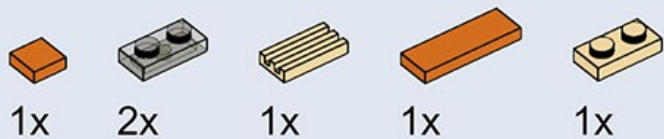


# 422





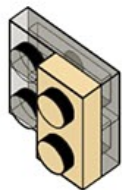
# 423



1



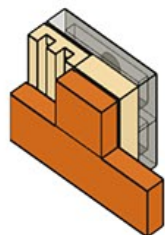
2



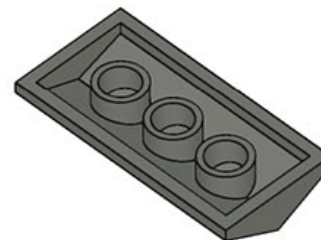
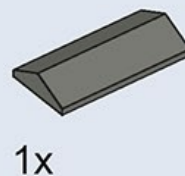
3



4

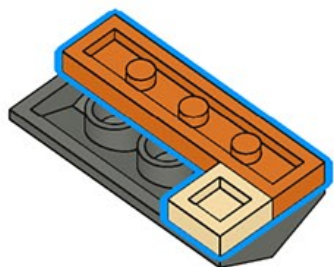
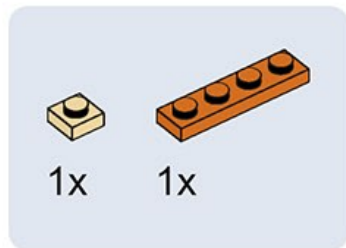


# 424

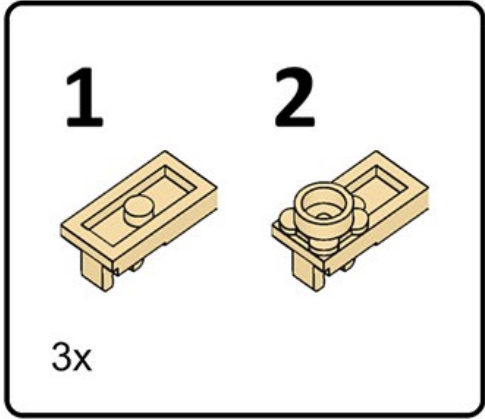
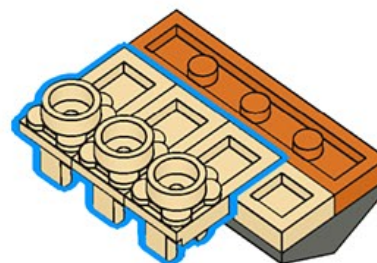
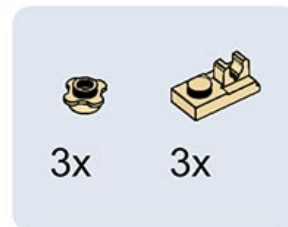




# 425

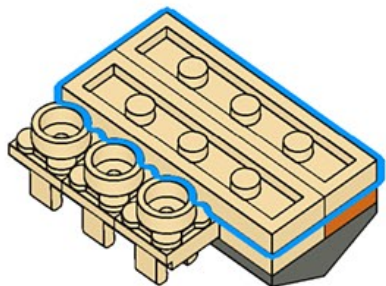
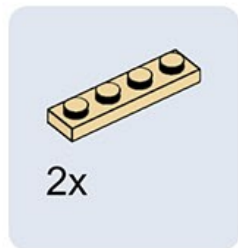


# 426

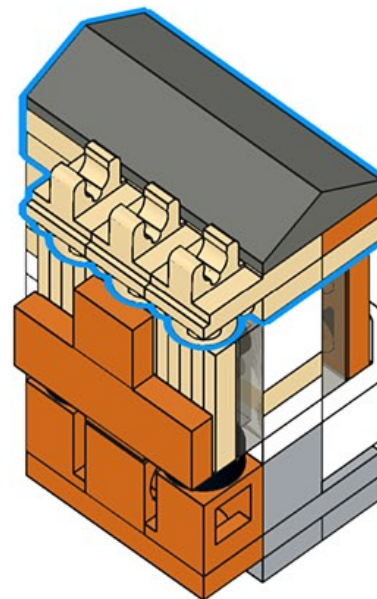




# 427

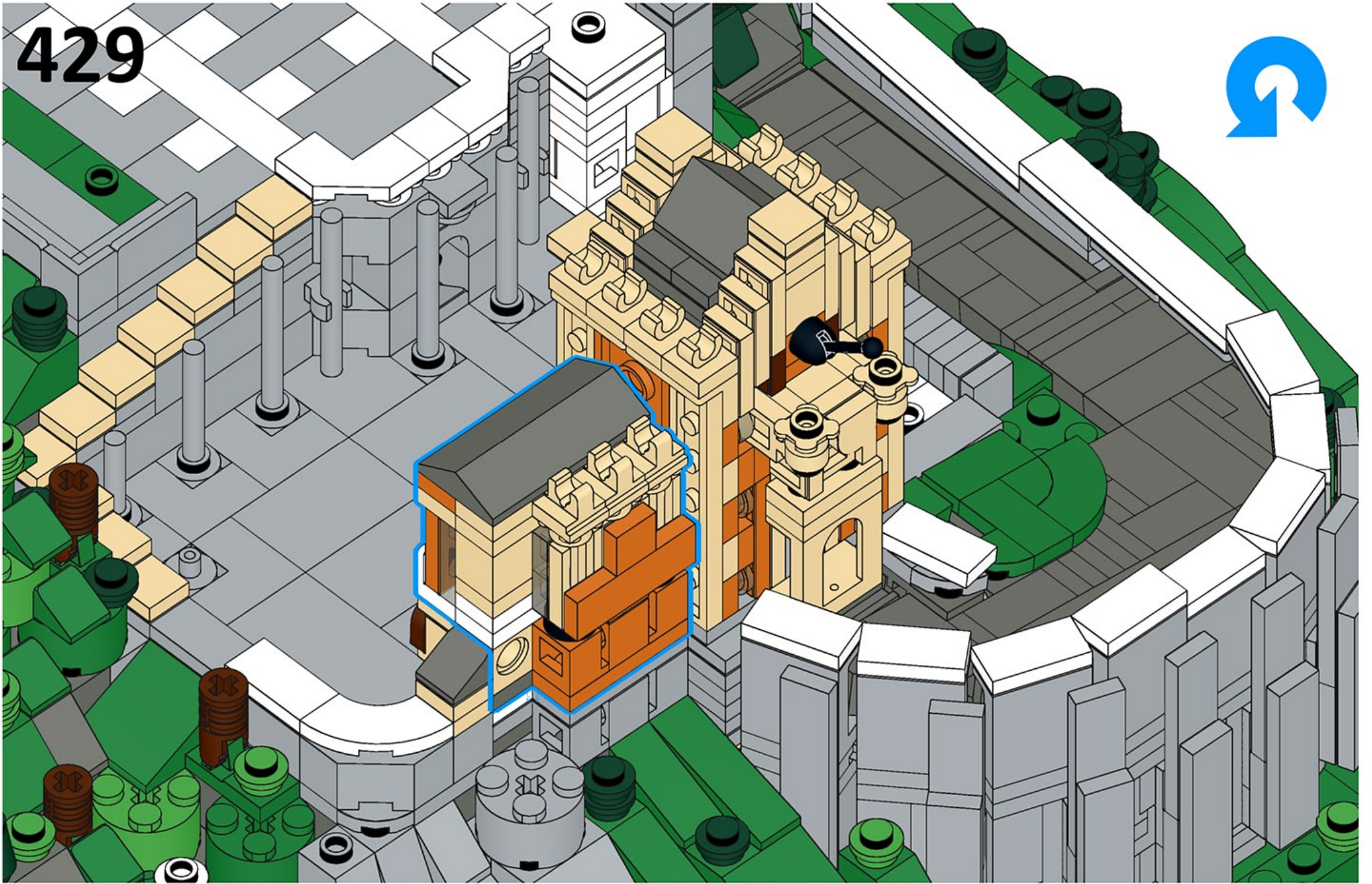


# 428



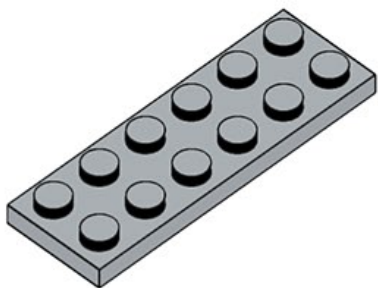
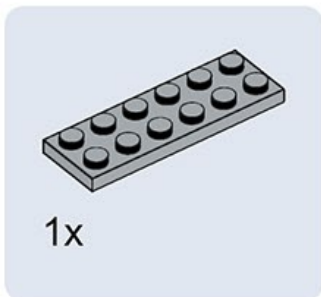


429

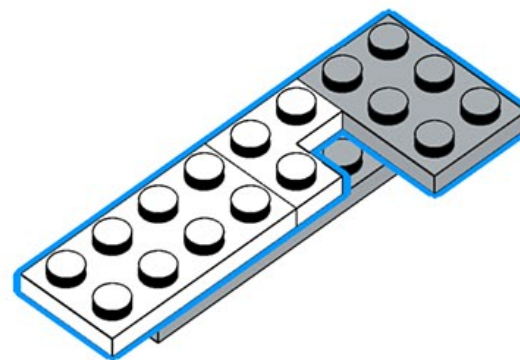
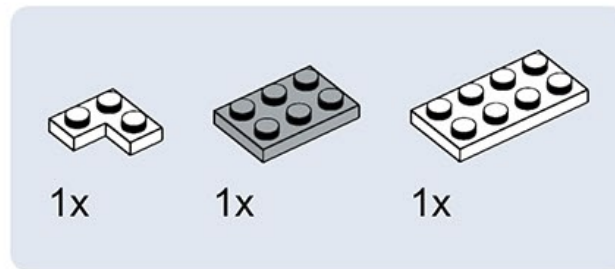




# 430

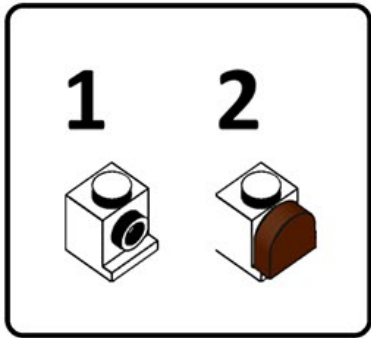
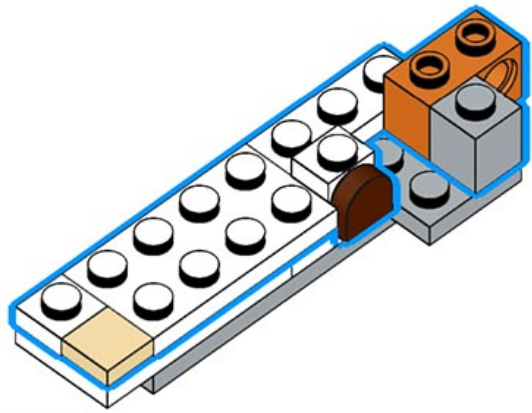
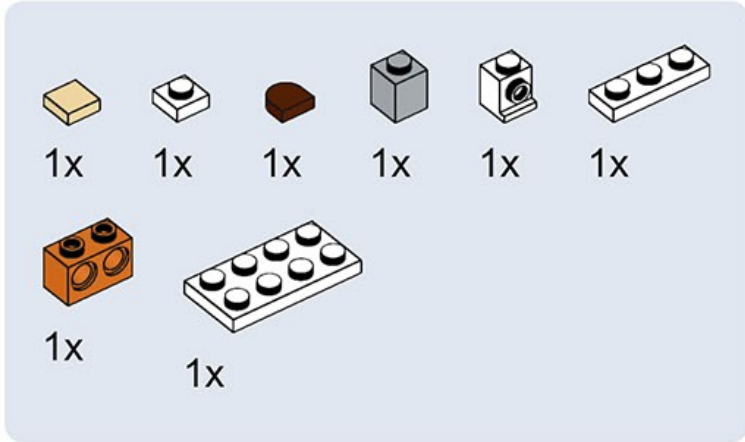


# 431

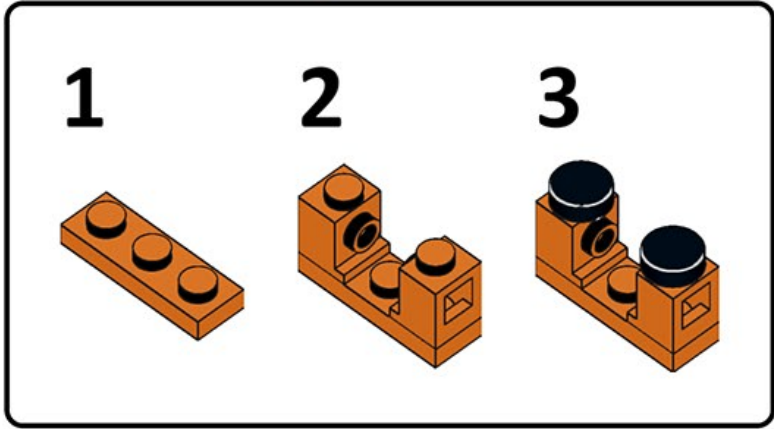
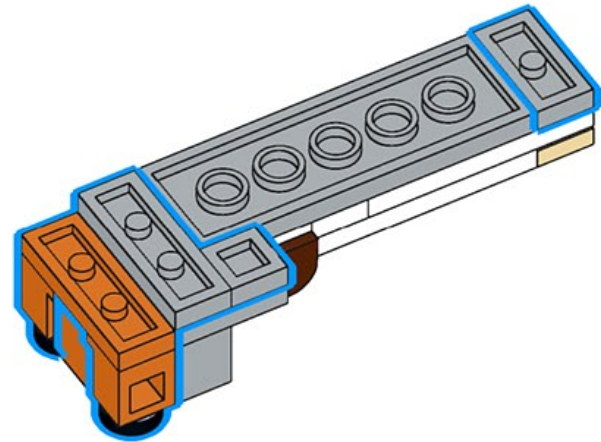
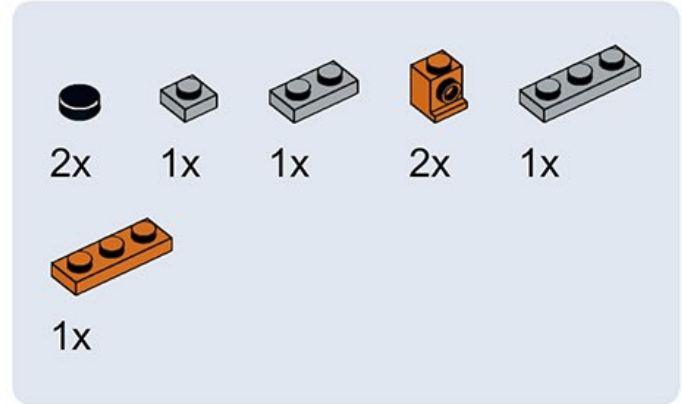




# 432

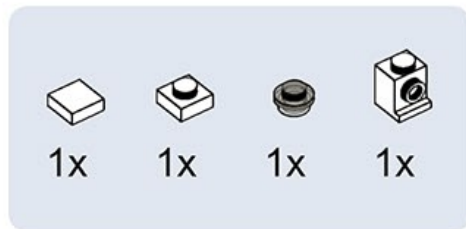


# 433

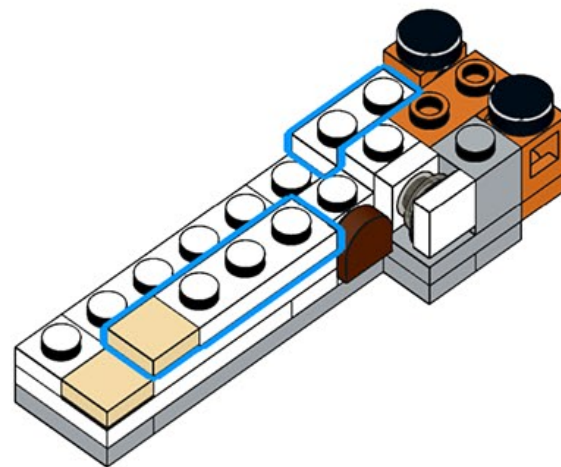
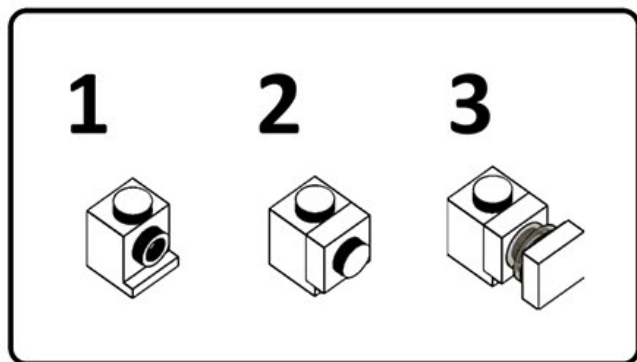
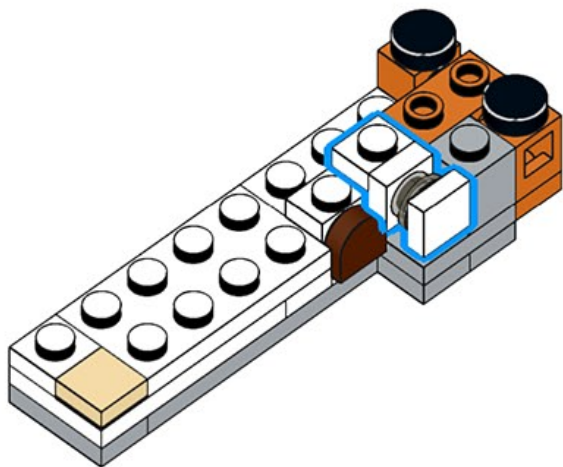
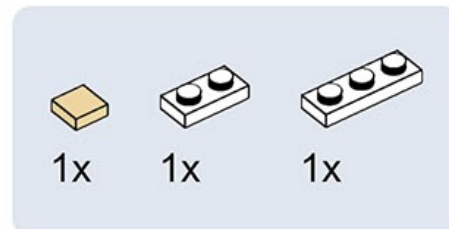




# 434

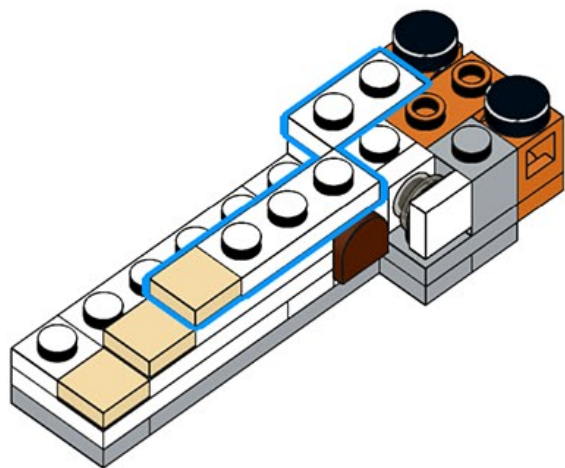
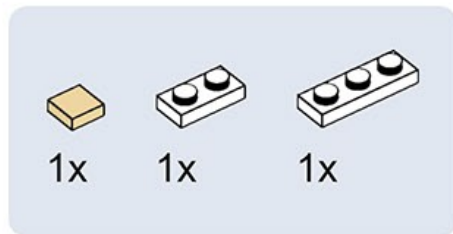


# 435

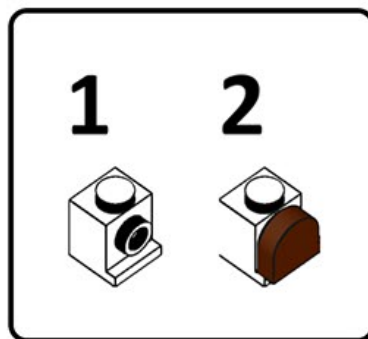
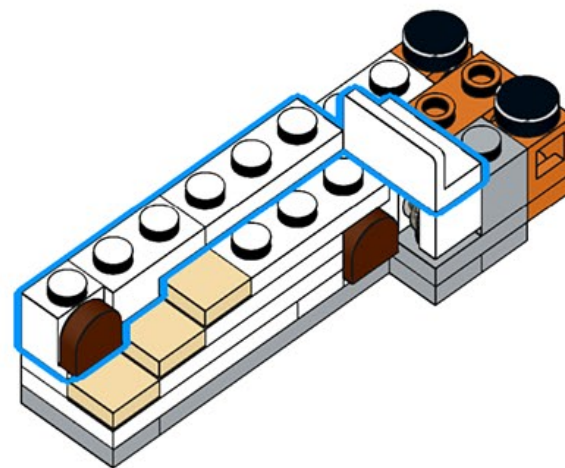
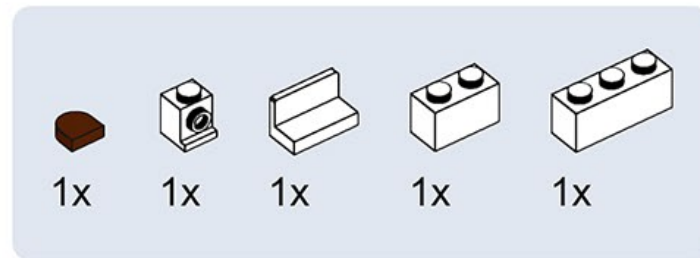




# 436

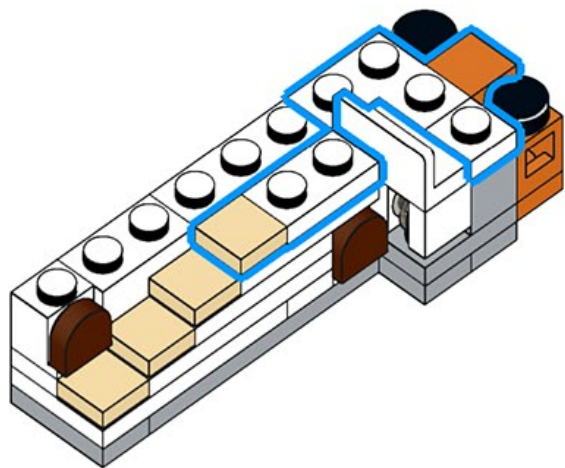
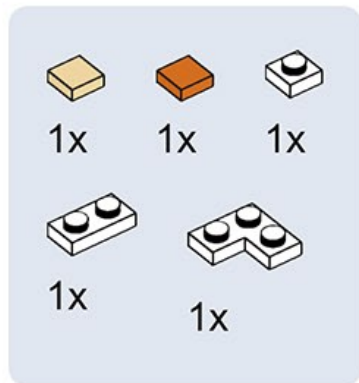


# 437

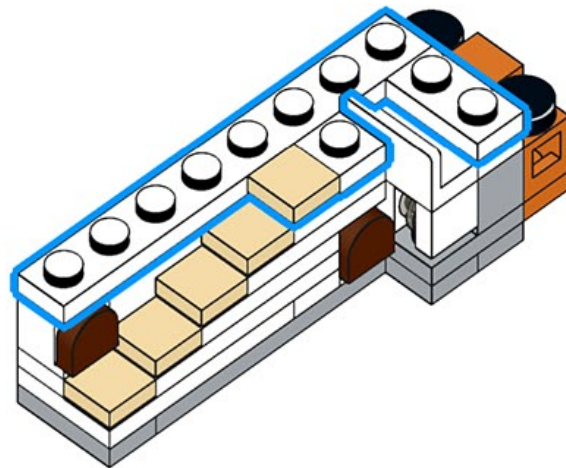
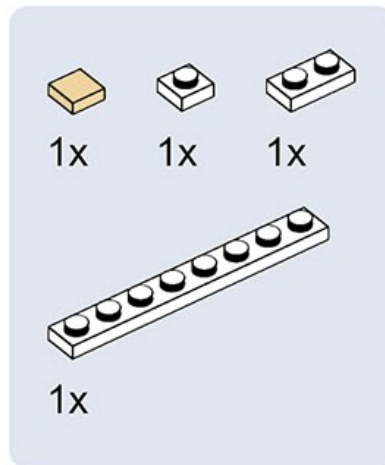




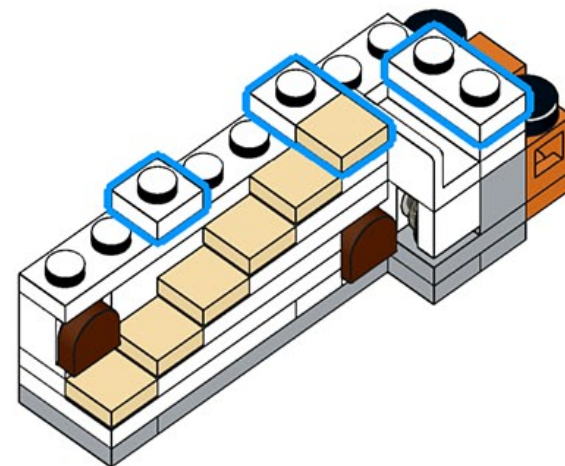
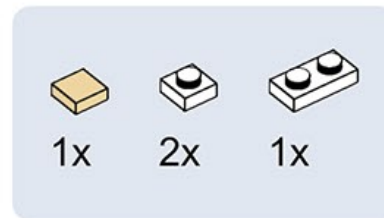
# 438



# 439



# 440





# 441



1x



# 442



1x



# 443



1x



1x



2x

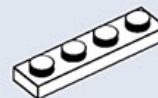
1



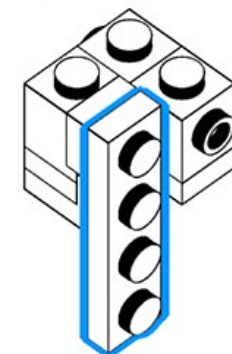
2



# 444

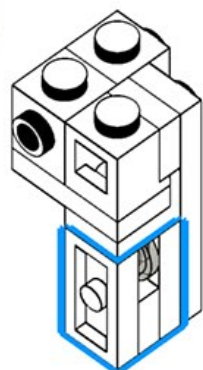
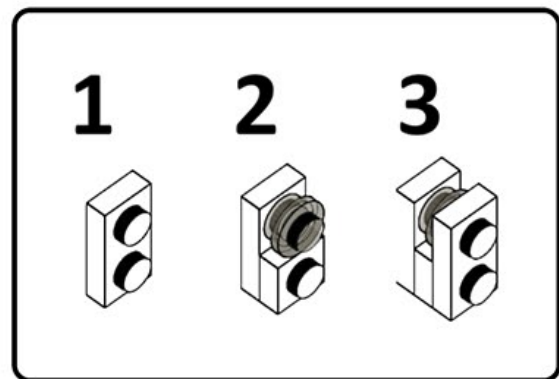


1x

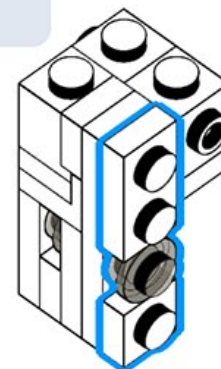




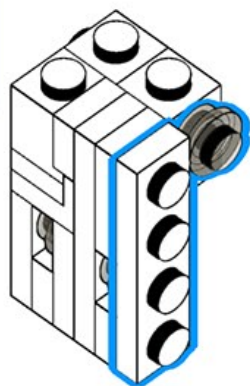
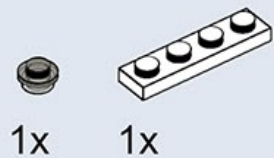
# 445



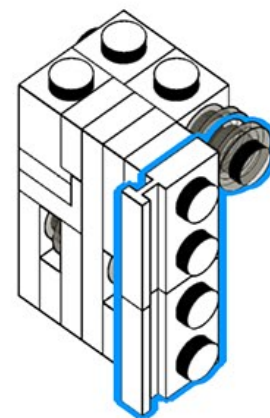
# 446



# 447

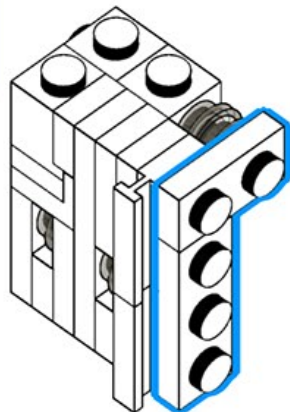
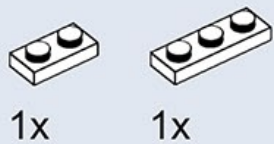


# 448

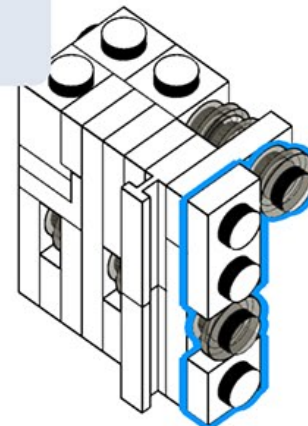




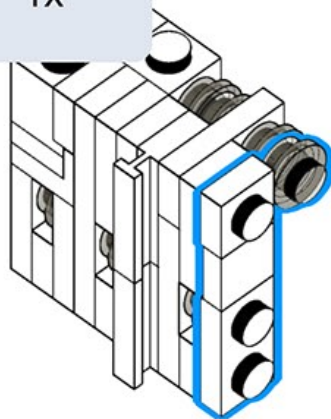
# 449



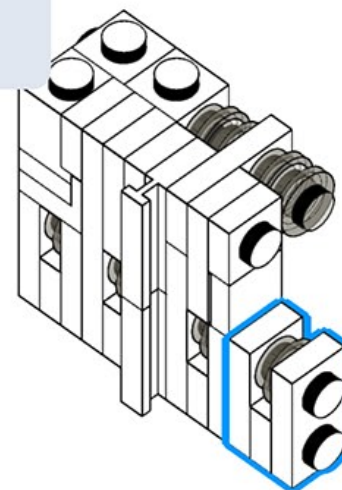
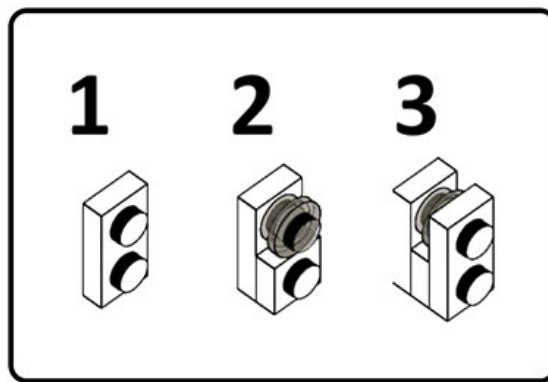
# 450



# 451

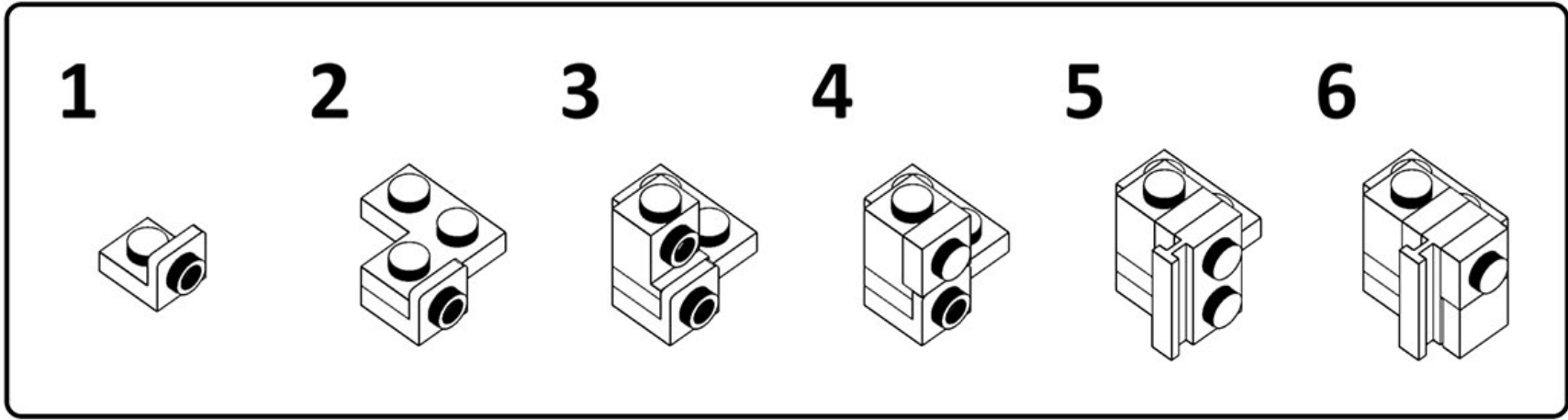
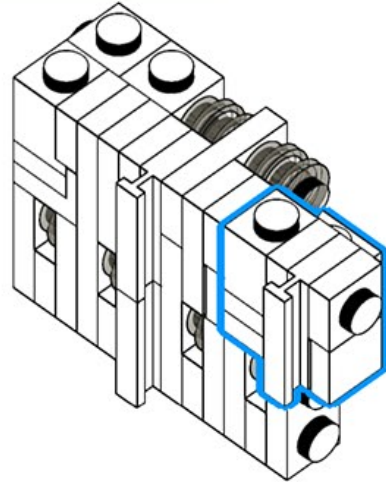
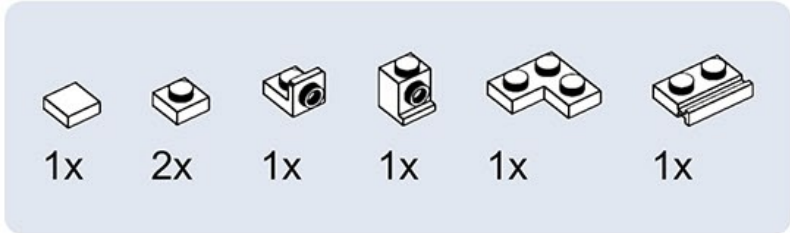


# 452





# 453



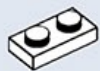
# 454



2x



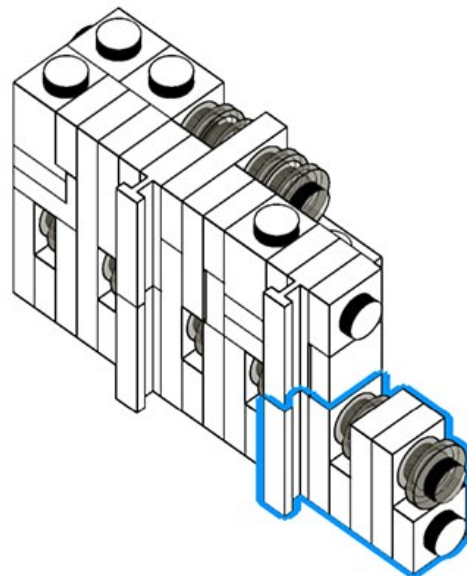
2x



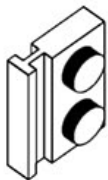
3x



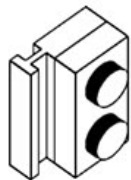
1x



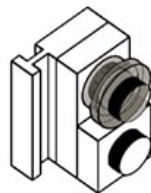
**1**



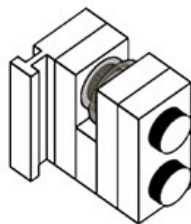
**2**



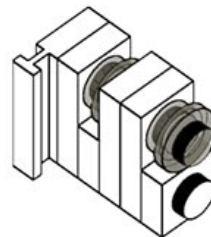
**3**



**4**



**5**





# 455



1x



1x



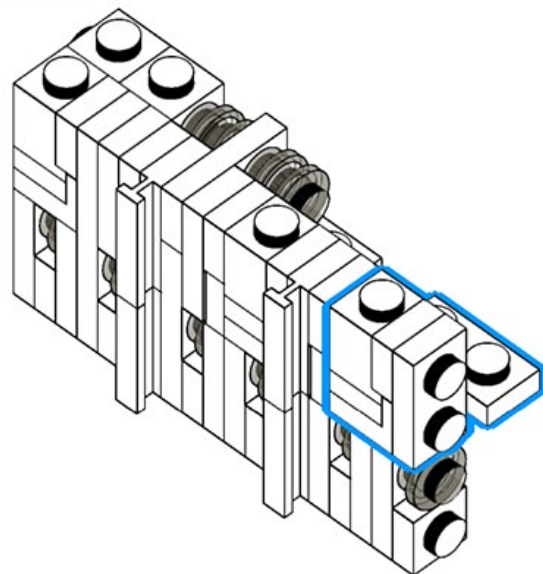
1x



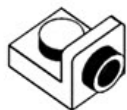
1x



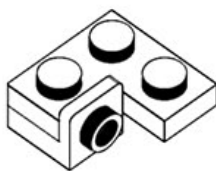
1x



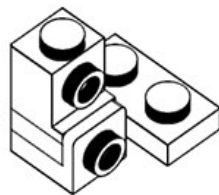
**1**



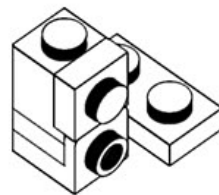
**2**



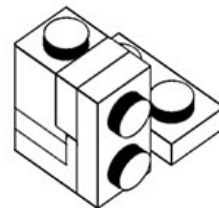
**3**



**4**



**5**



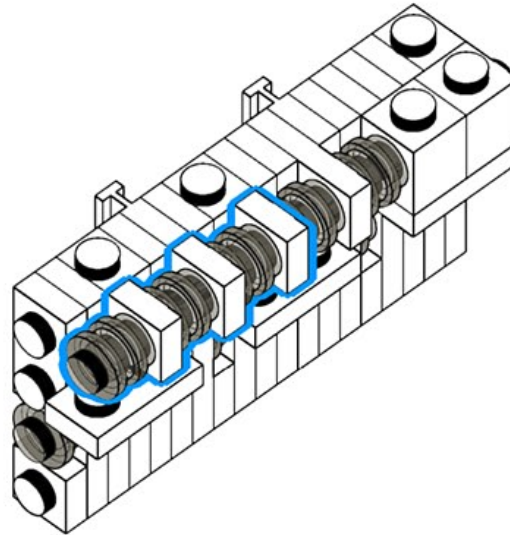
# 456



3x



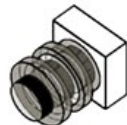
6x



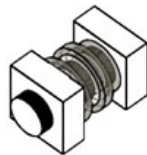
**1**



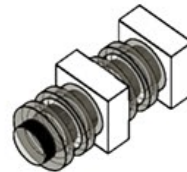
**2**



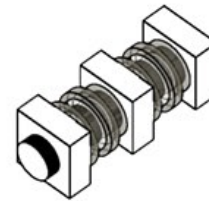
**3**



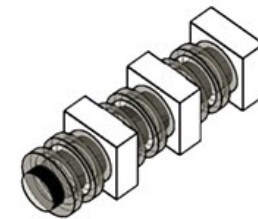
**4**



**5**

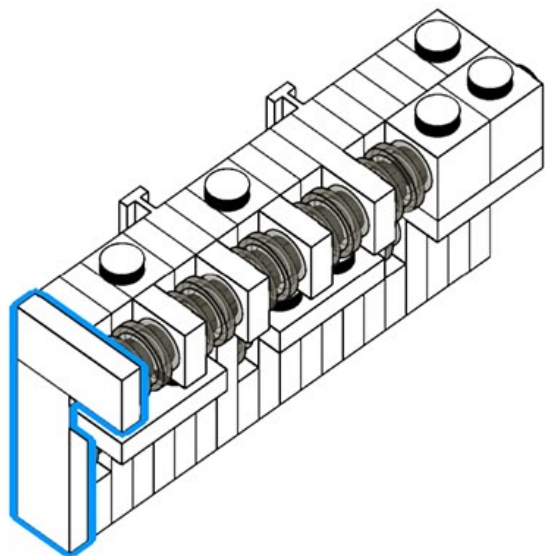
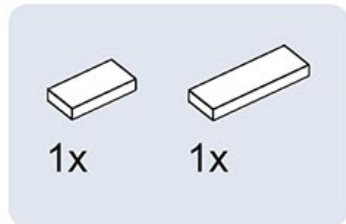


**6**

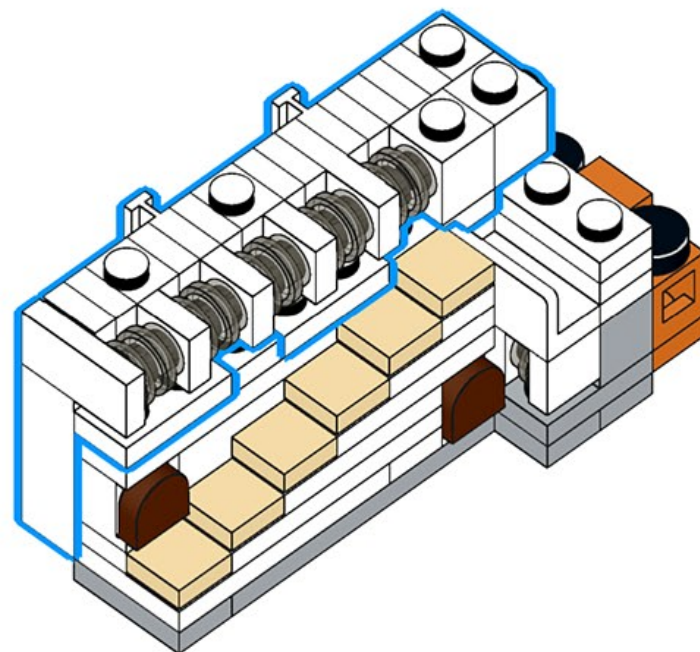




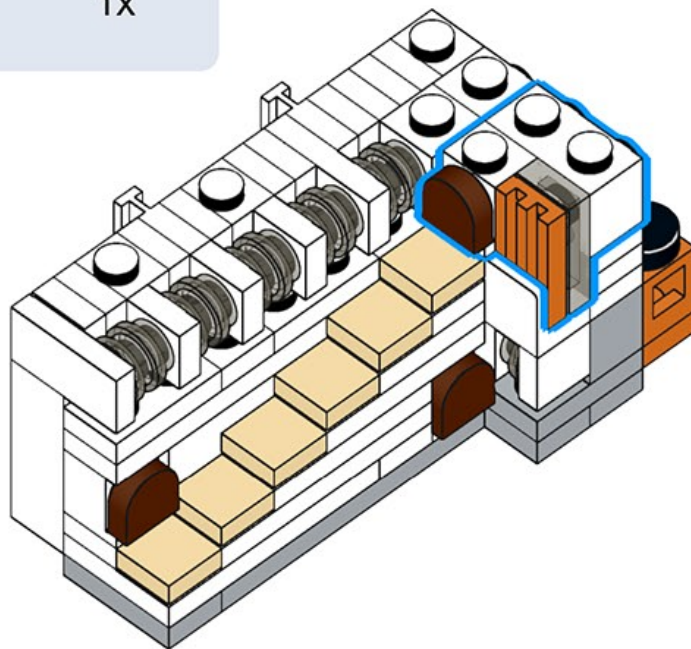
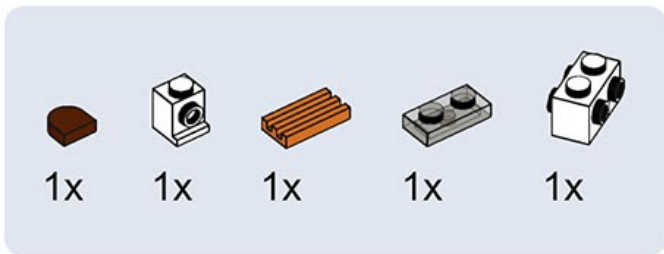
# 457



# 458



# 459

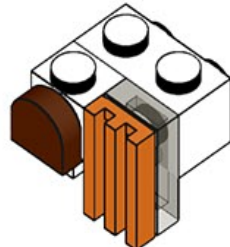
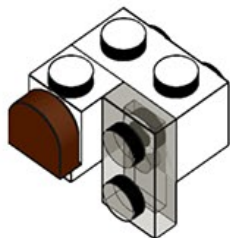
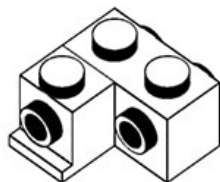
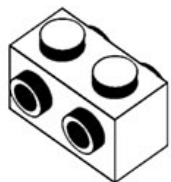


1

2

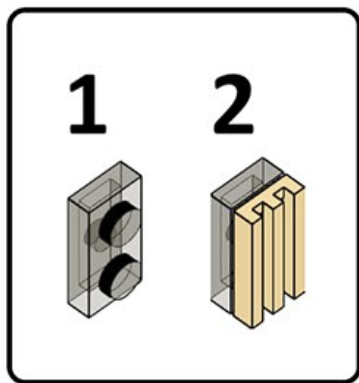
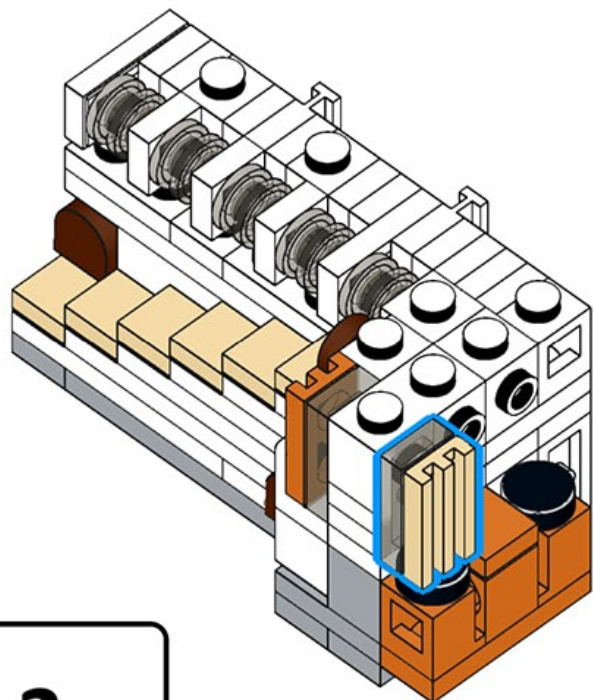
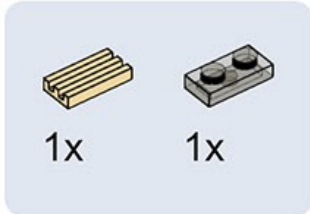
3

4

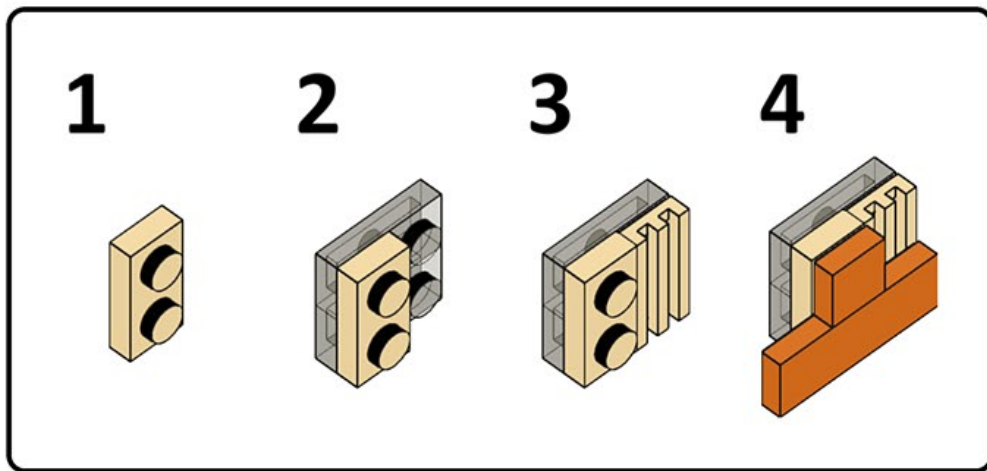
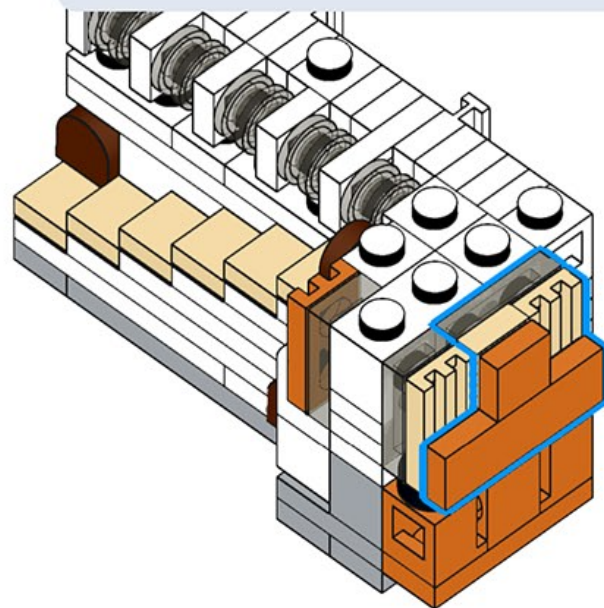
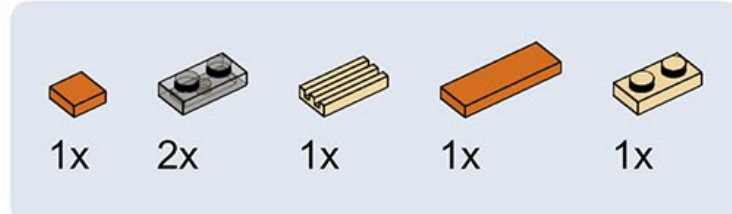




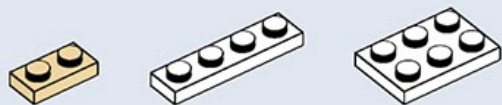
# 460



# 461



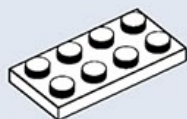
# 462



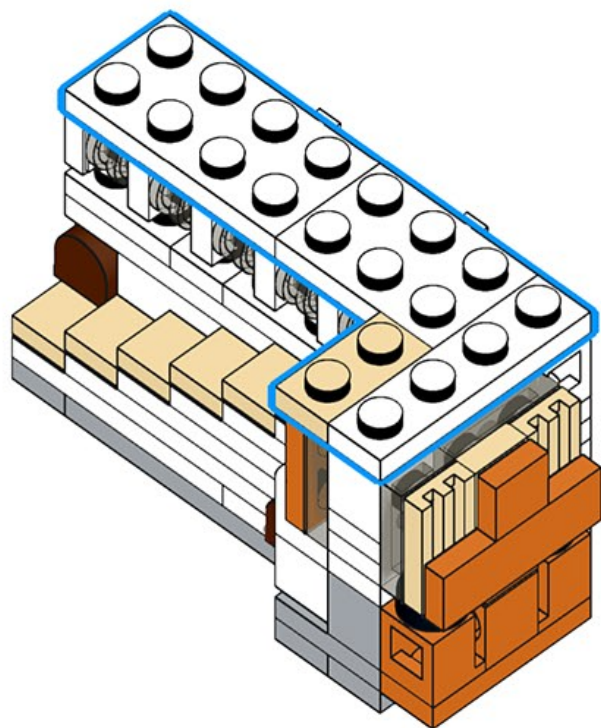
1x

1x

1x



1x

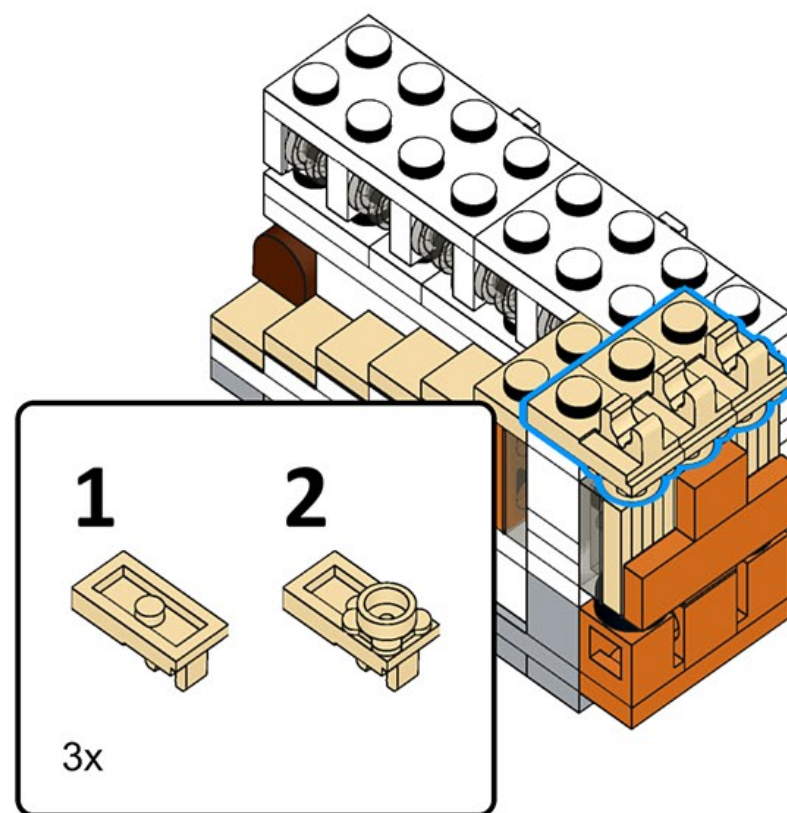


# 463



3x

3x



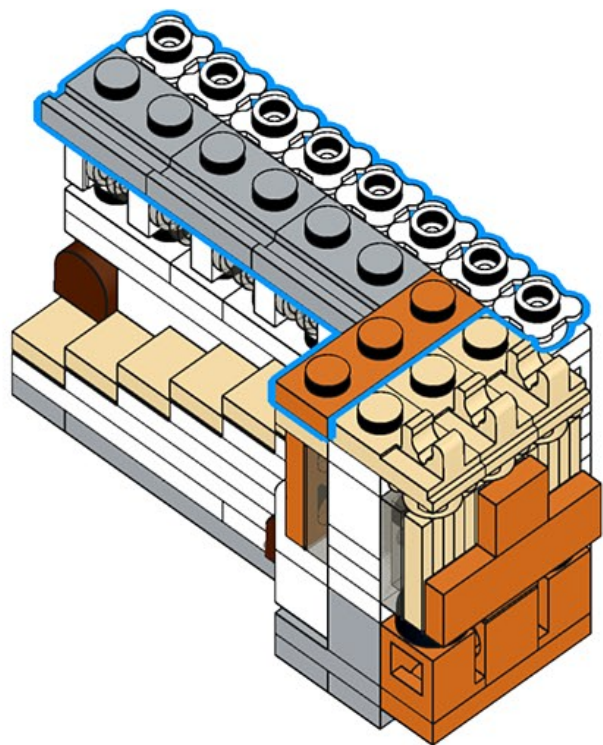
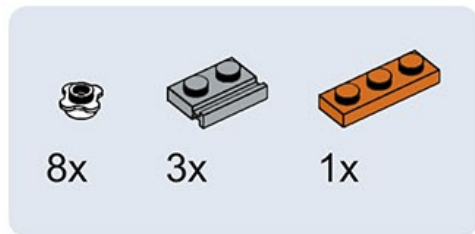
1

2

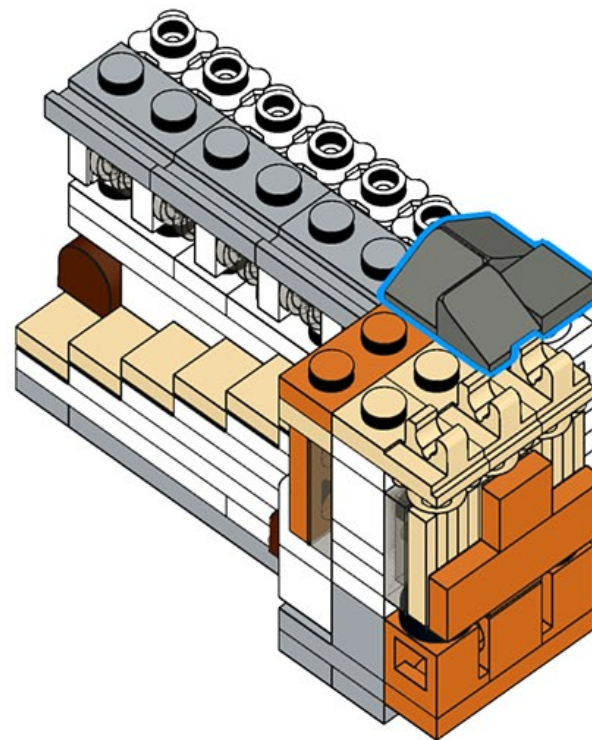
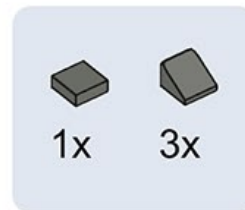
3x



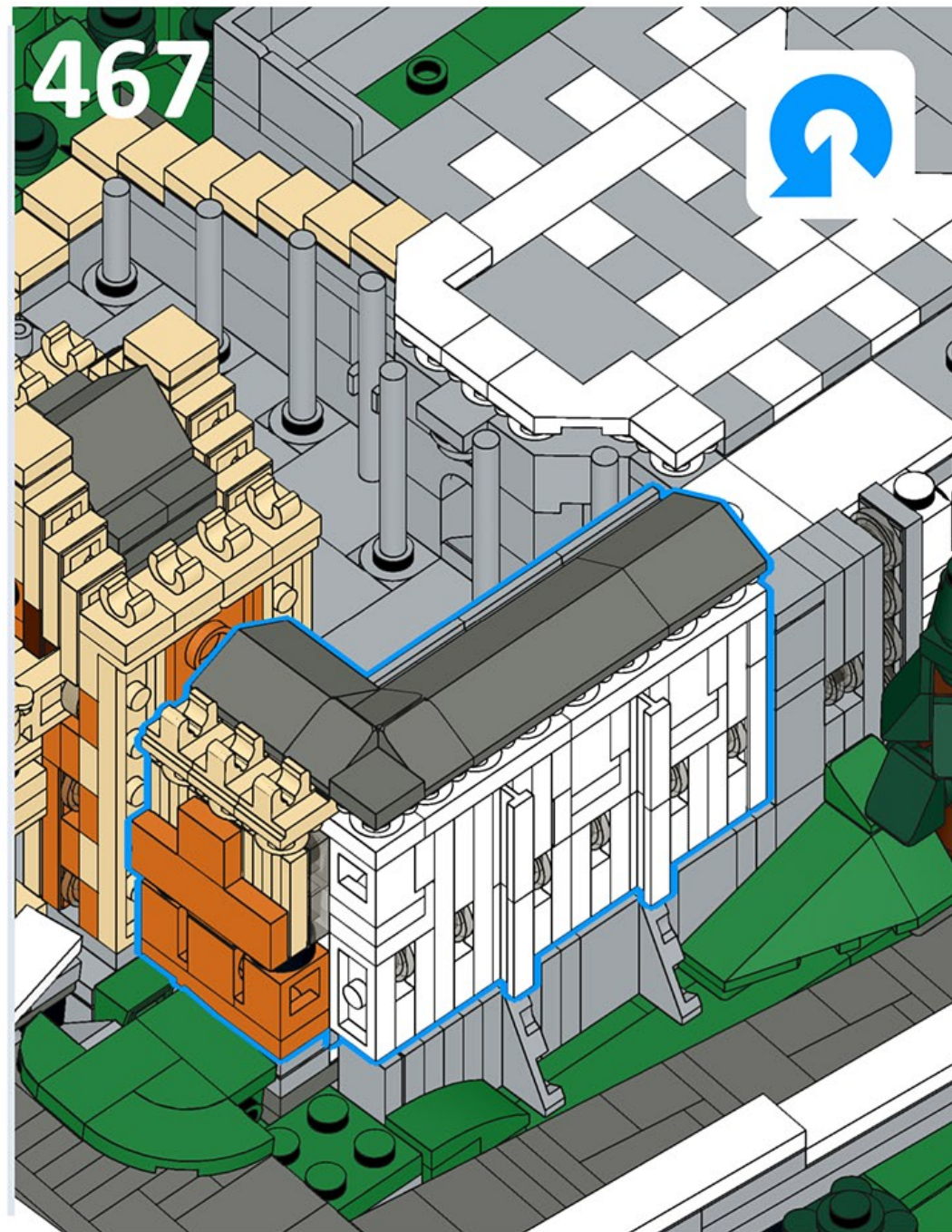
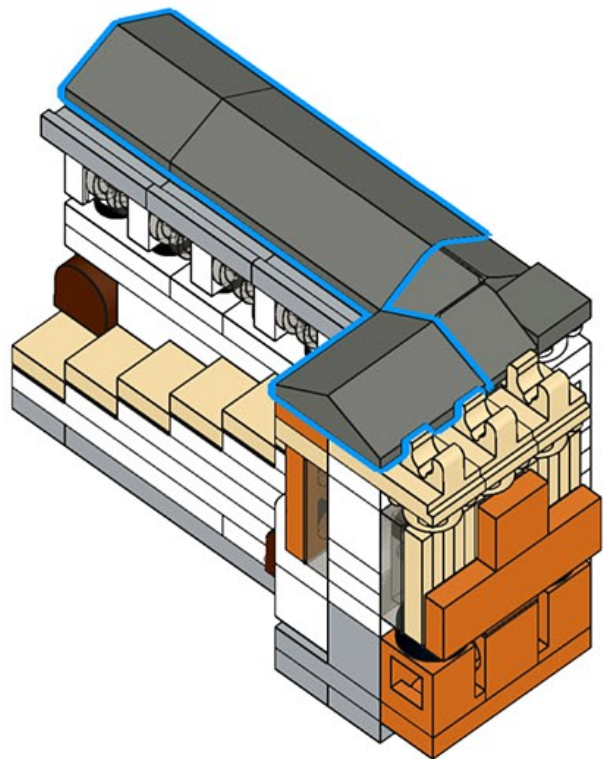
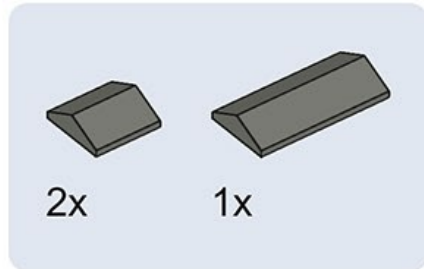
# 464



# 465

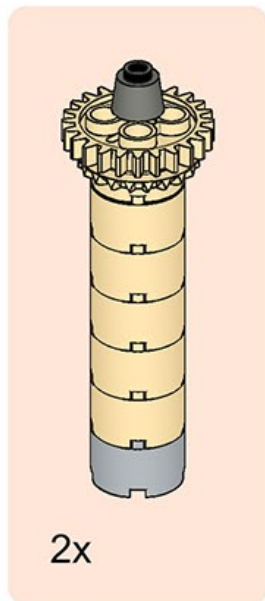
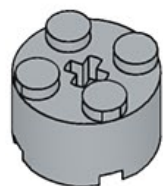
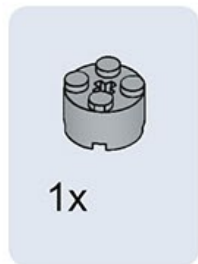


# 466

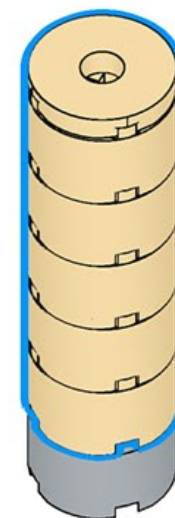
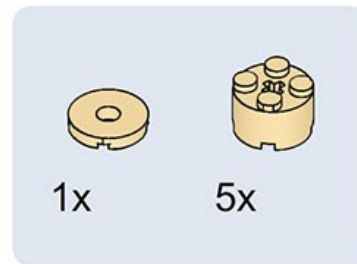




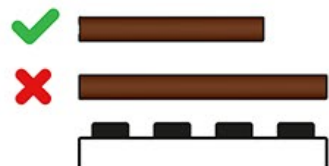
# 468



# 469



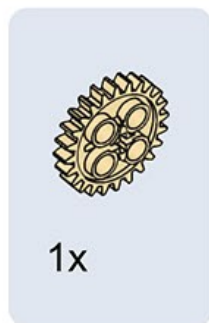
# 470



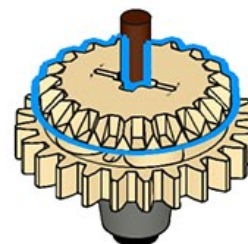
# 471



# 472

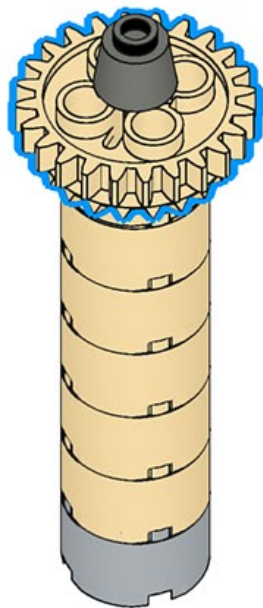


# 473

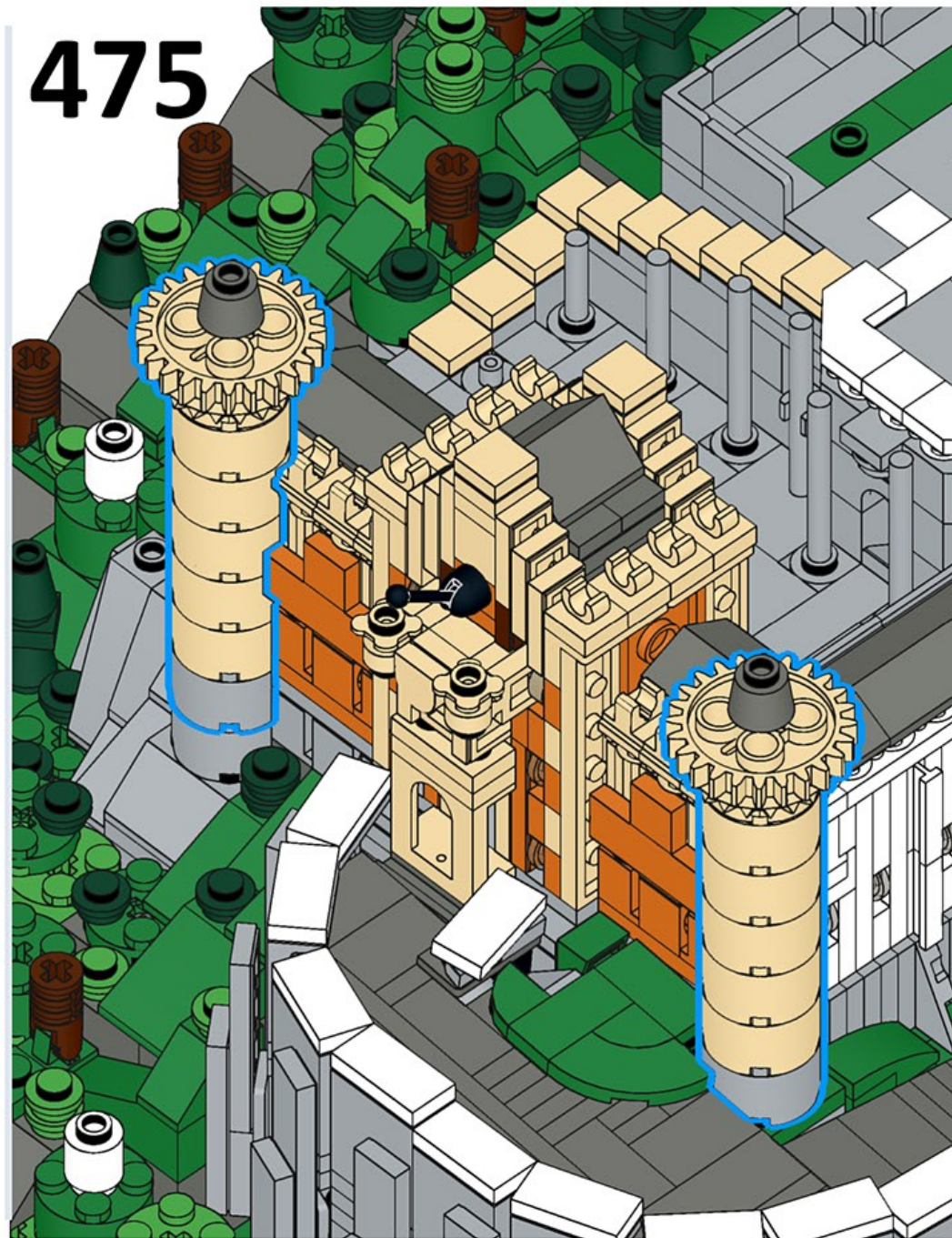




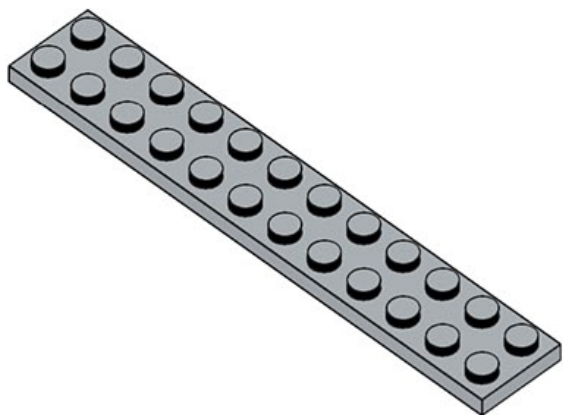
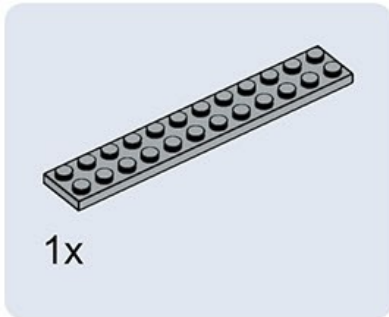
474



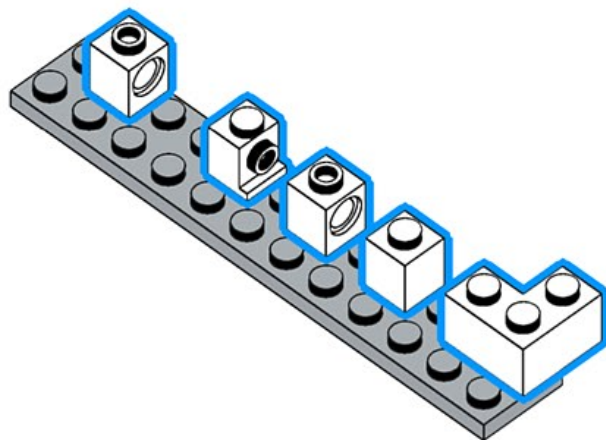
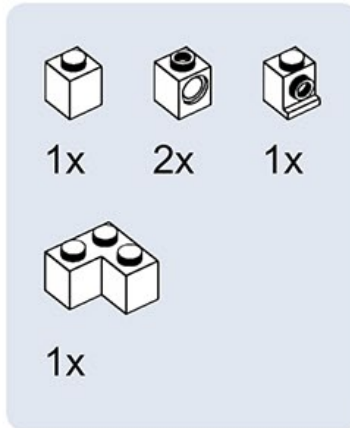
475



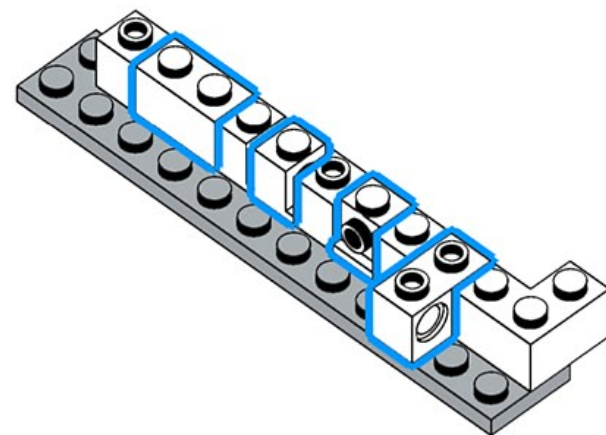
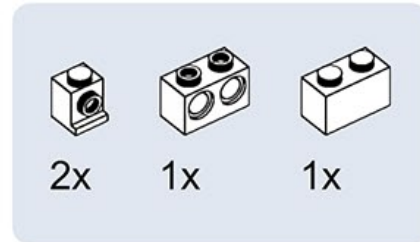
# 476



# 477



# 478





# 479



1x



# 480



12x



6x

1

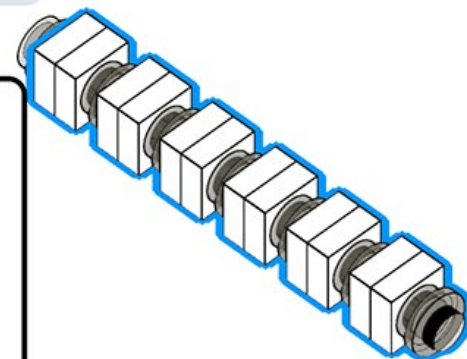


6x

2



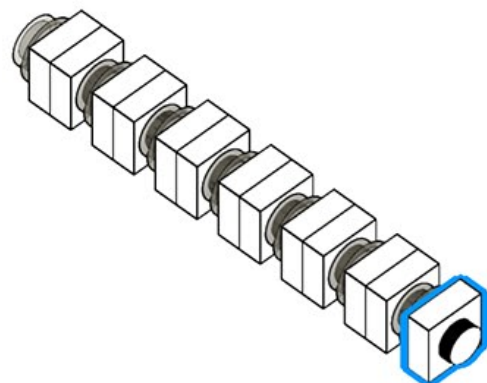
3



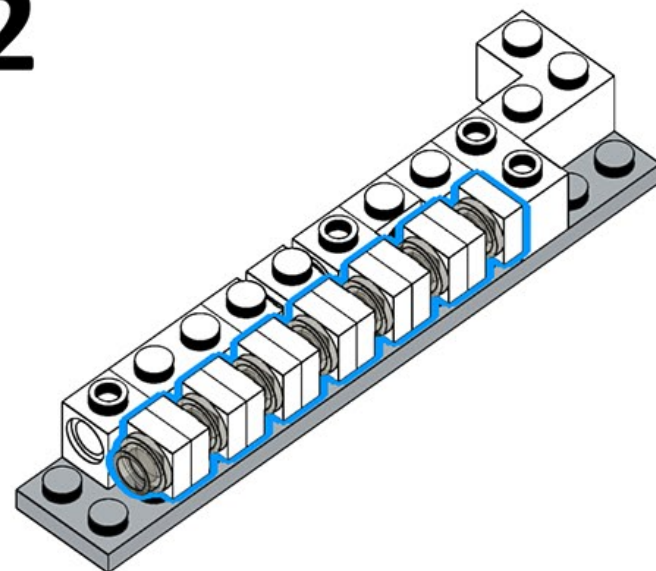
# 481



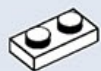
1x



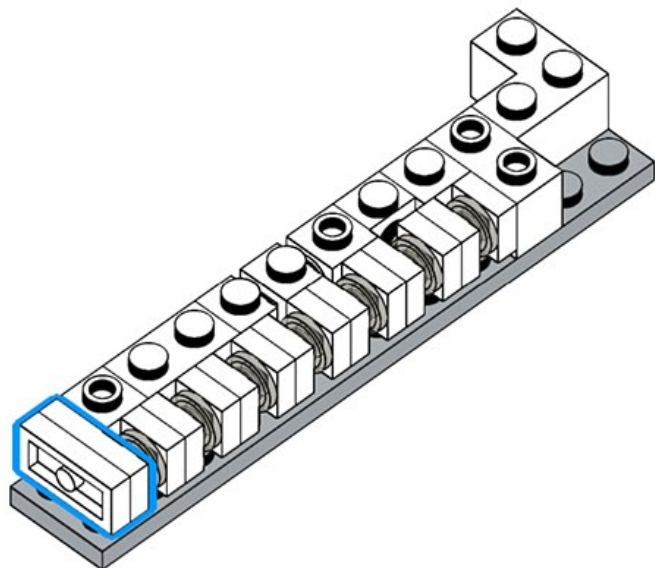
# 482



# 483



2x



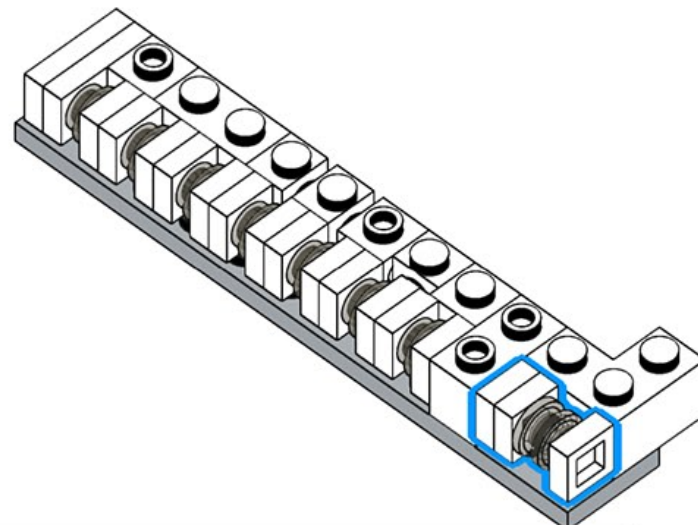
# 484



3x



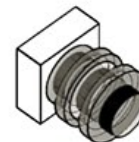
2x



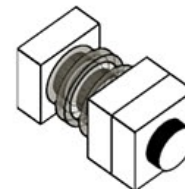
1



2

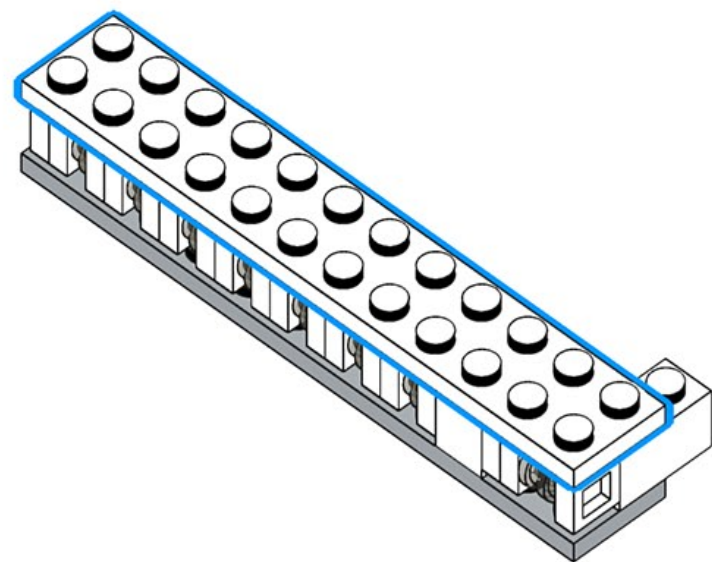
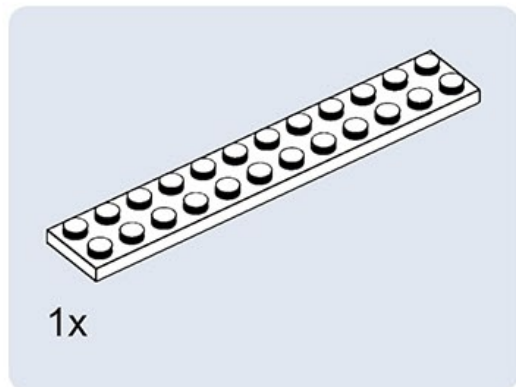


3

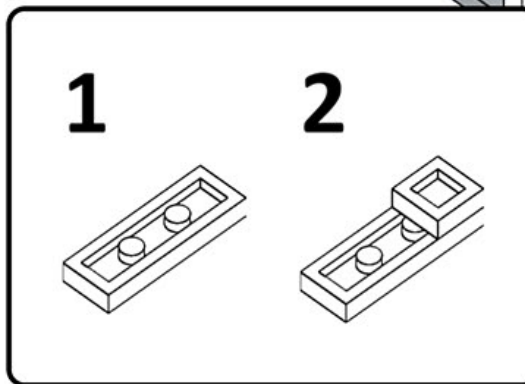
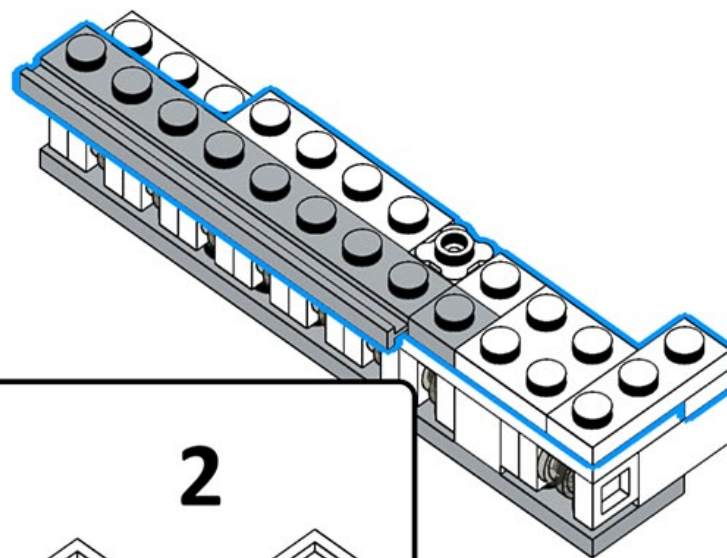
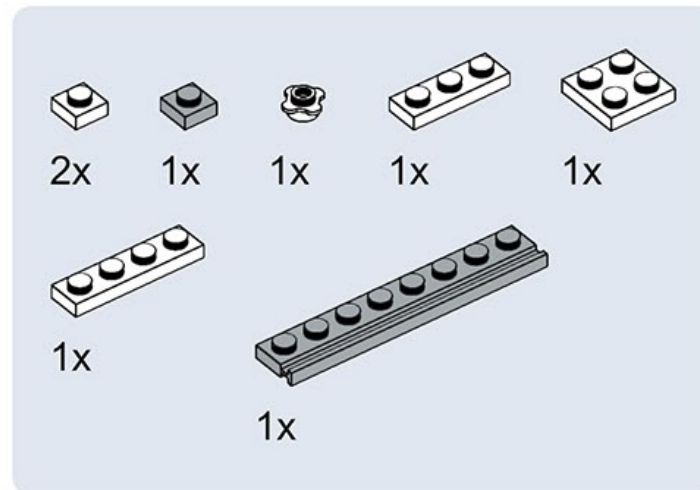




# 485



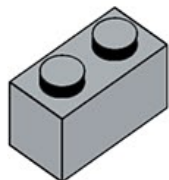
# 486



# 487



1x



# 488



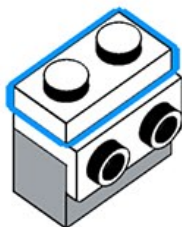
1x



# 489



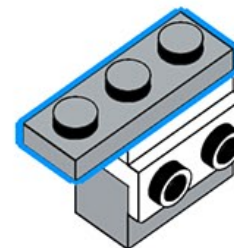
1x



# 490

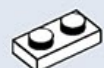


1x

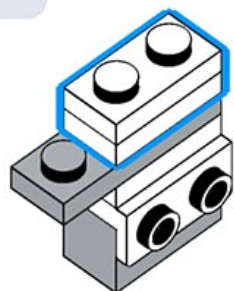




# 491



2x



# 492



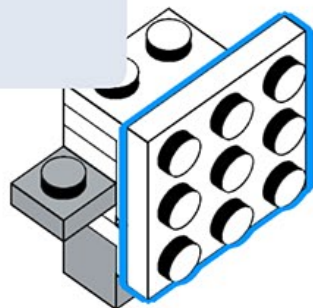
1x



# 493



1x



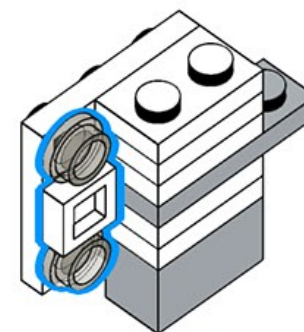
# 494



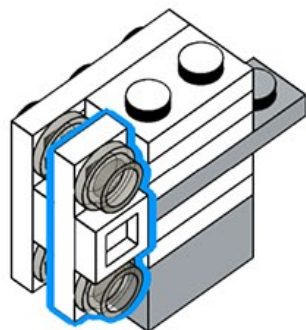
1x



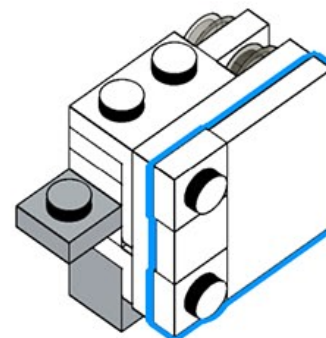
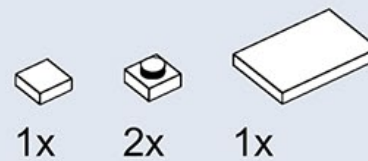
2x



# 495

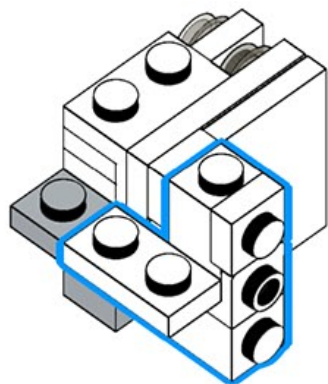
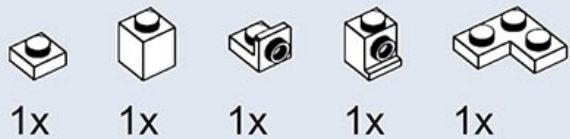


# 496





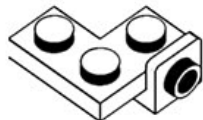
# 497



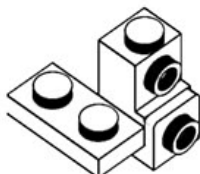
1



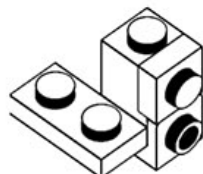
2



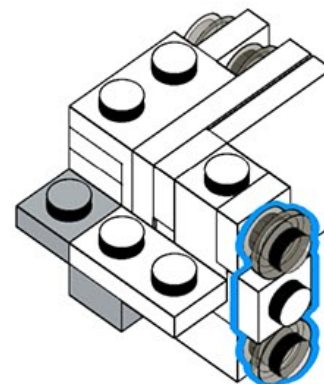
3



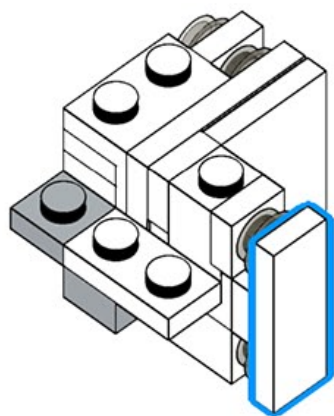
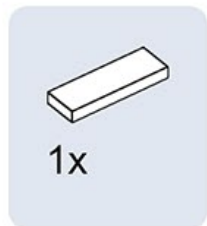
4



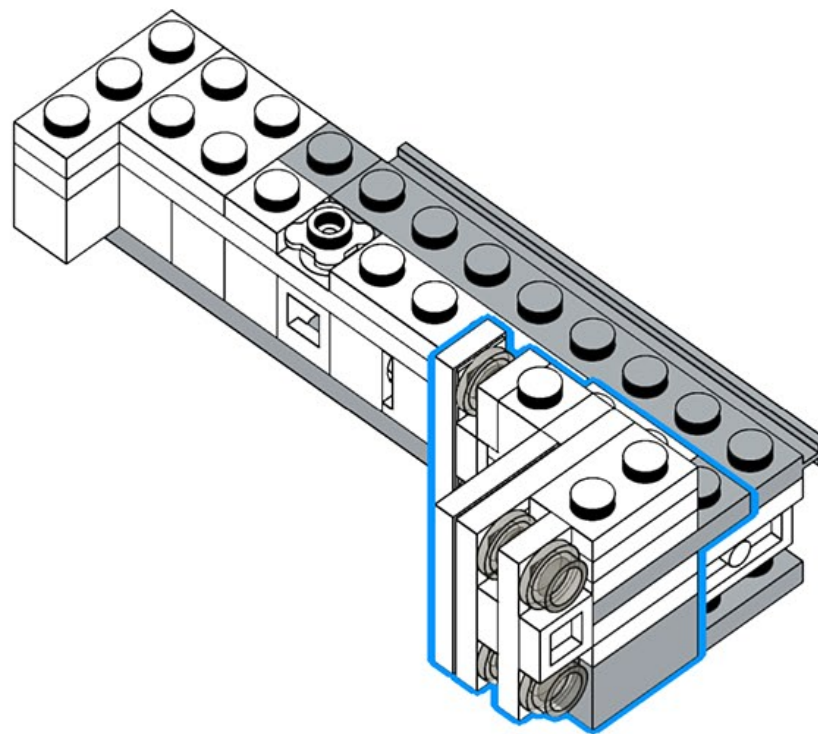
# 498



# 499

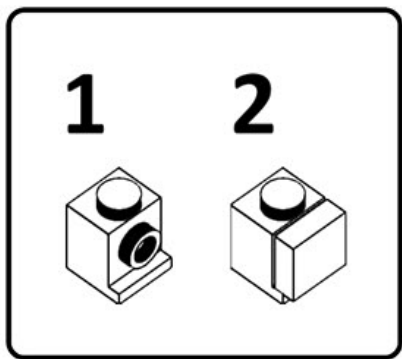
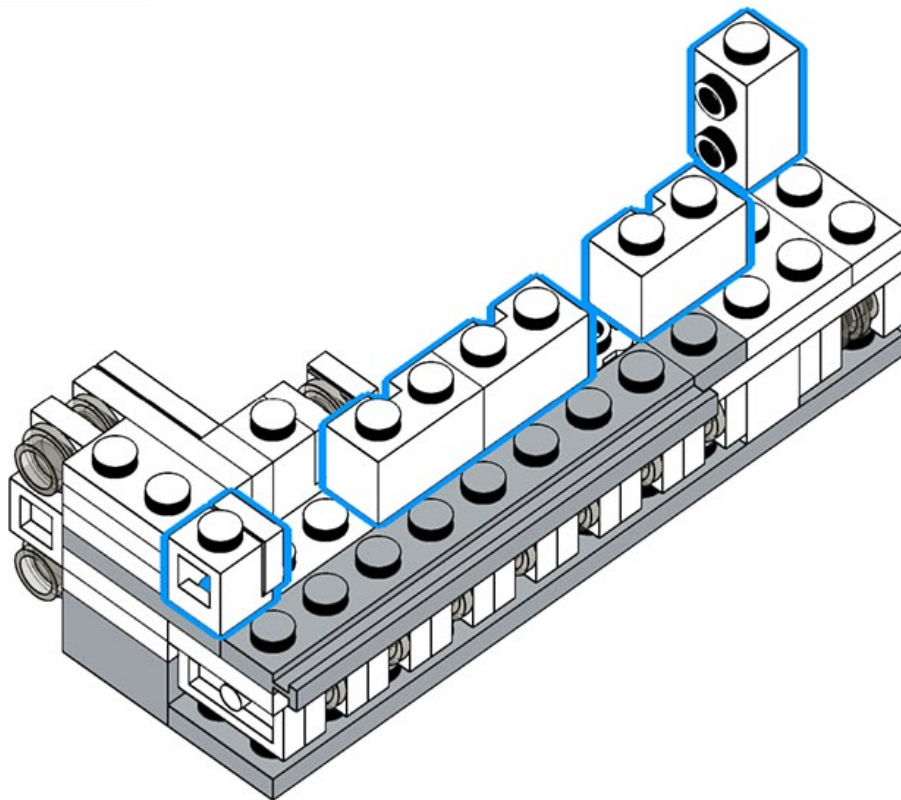
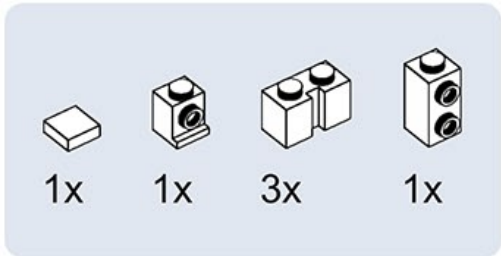


# 500





# 501



# 502



1x



# 503



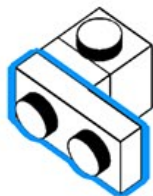
1x



# 504



1x



# 505



2x

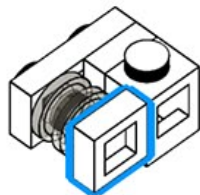




# 506



1x



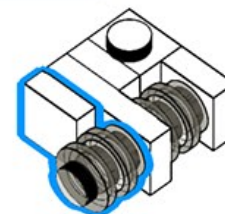
# 507



1x



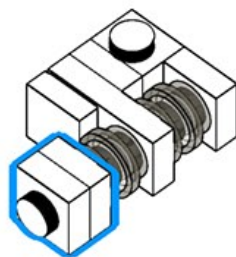
2x



# 508



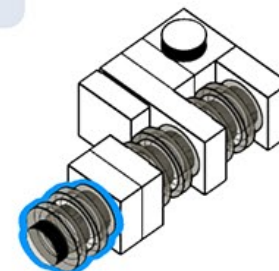
2x



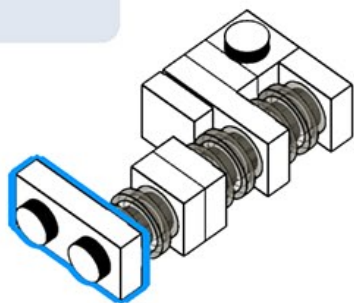
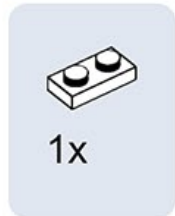
# 509



2x

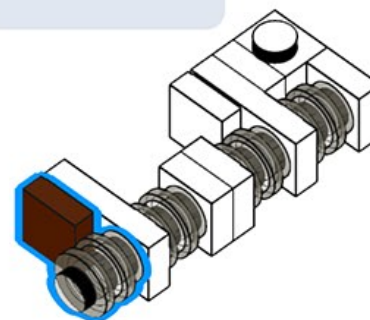
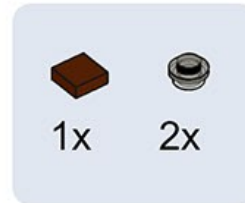


# 510

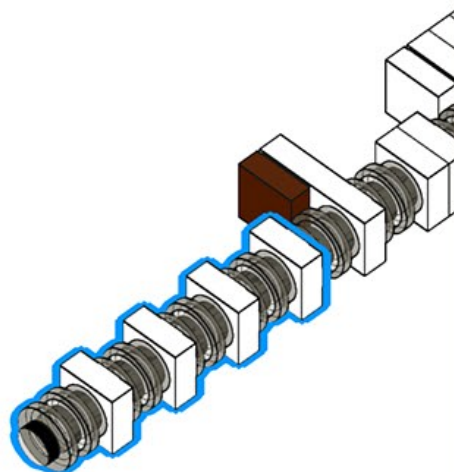
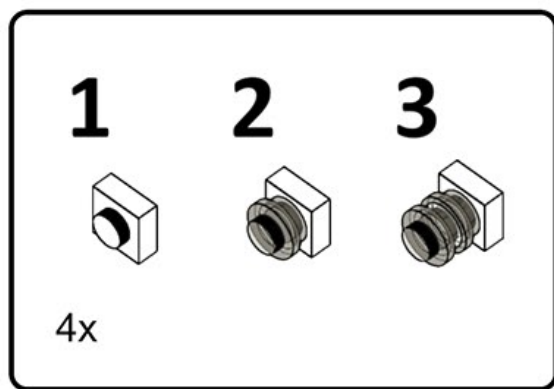
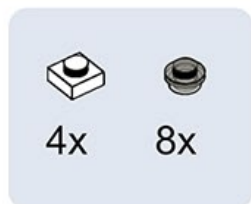


4x

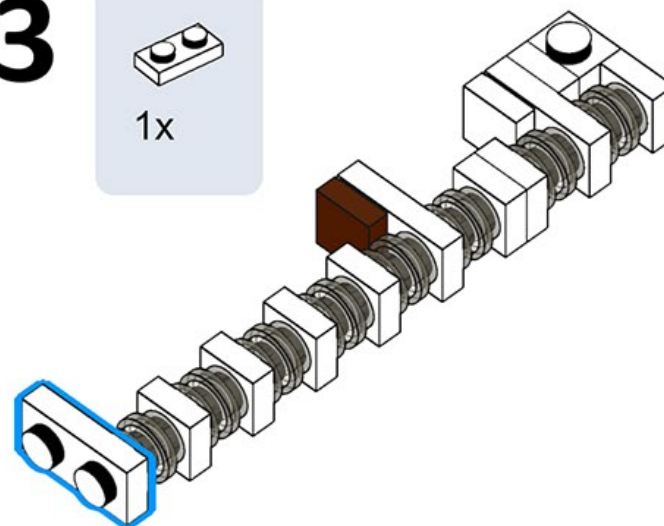
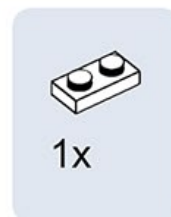
# 511



# 512



# 513

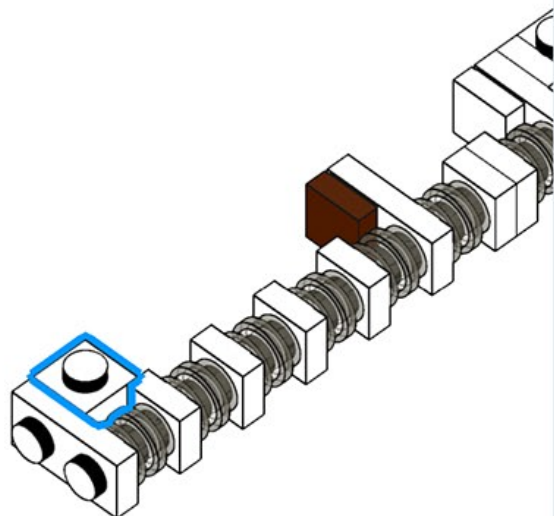




# 514



1x



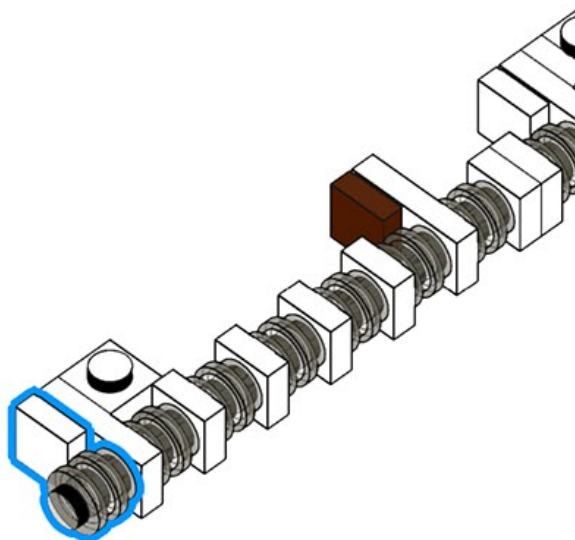
# 515



1x



2x



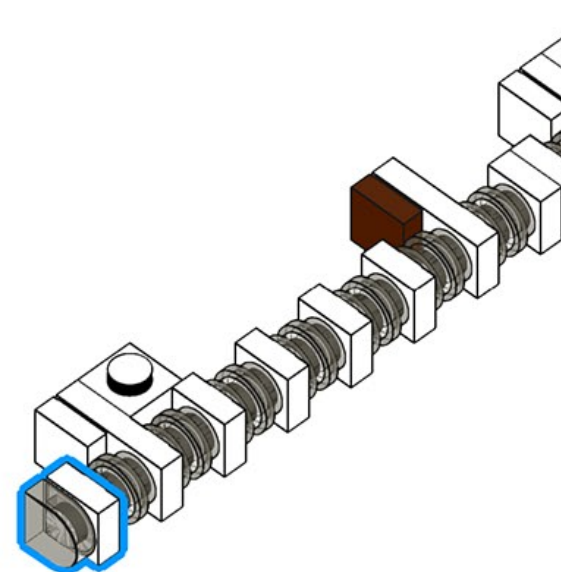
# 516



1x



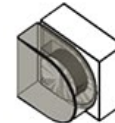
1x



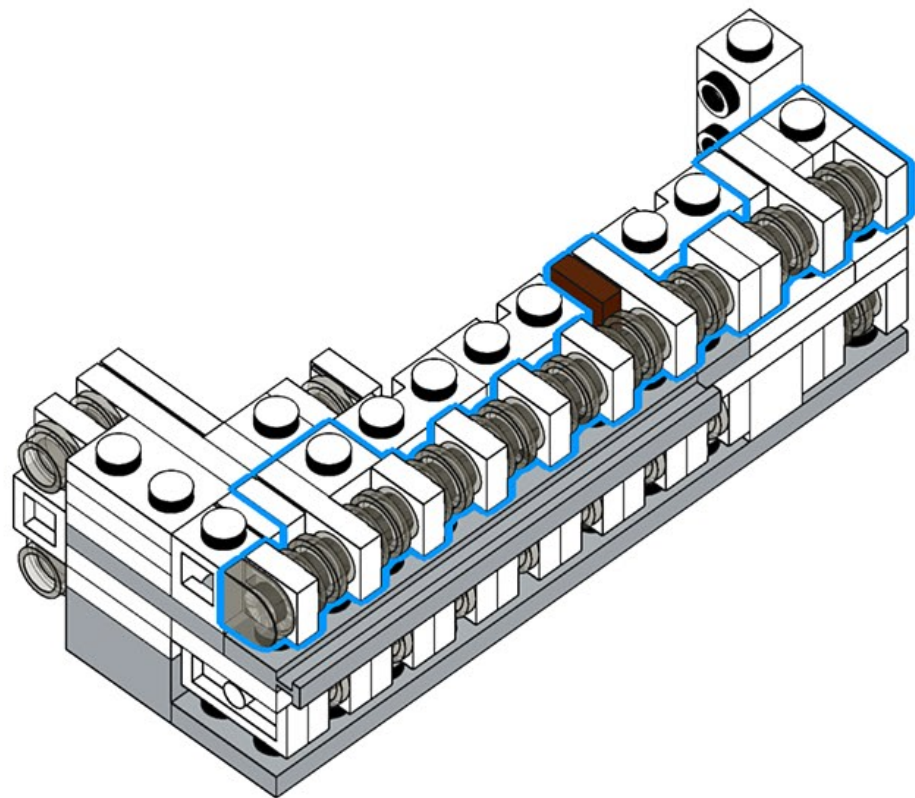
1



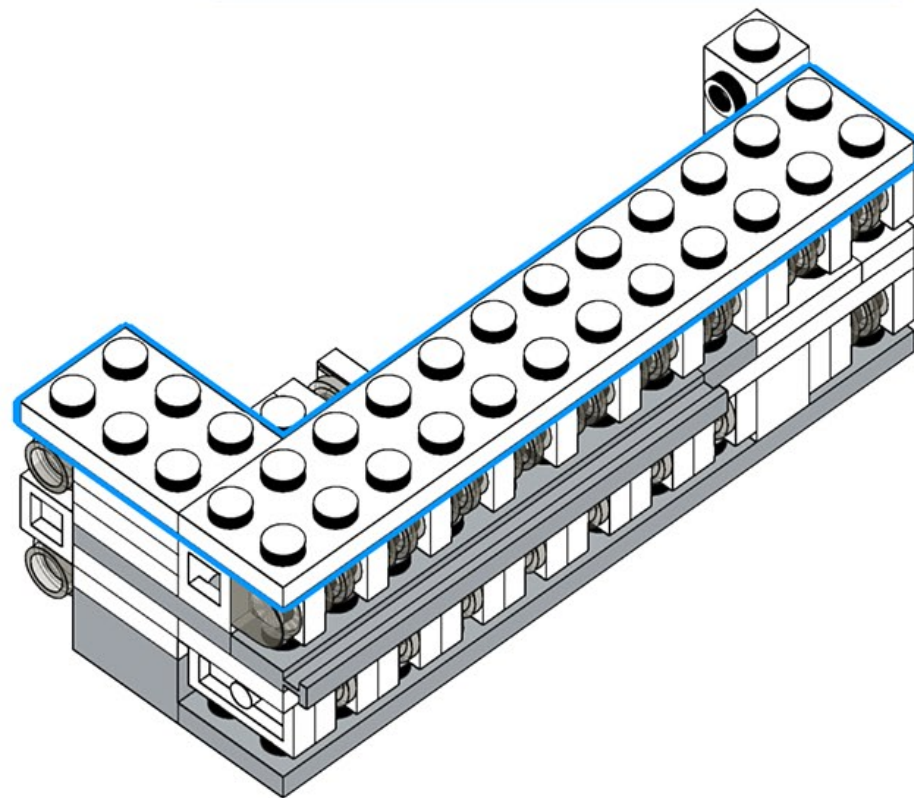
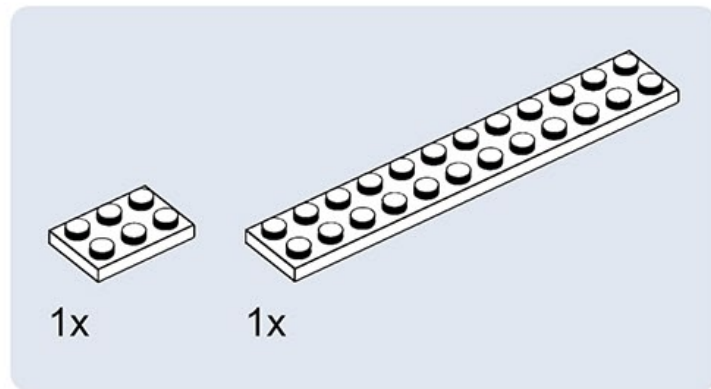
2



# 517



# 518





# 519



1x



# 520



1x



# 521



1x



# 522



1x



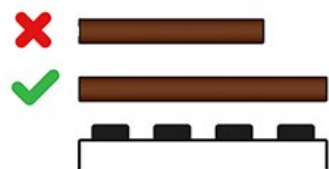
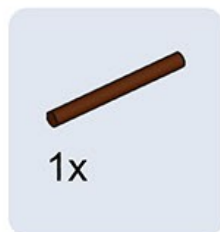
# 523



# 524



# 525

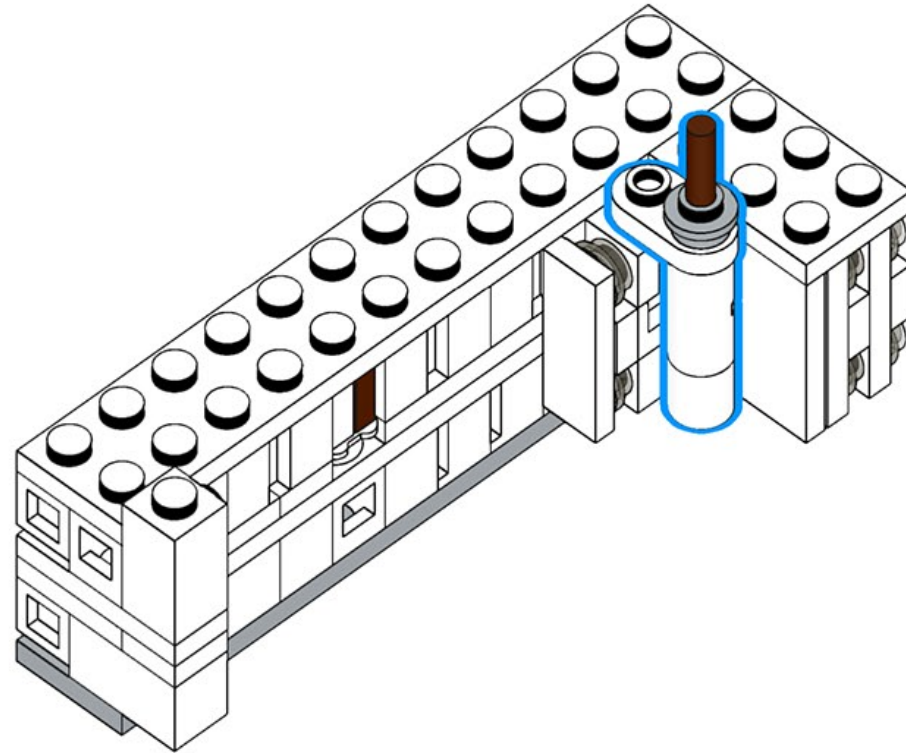


# 526

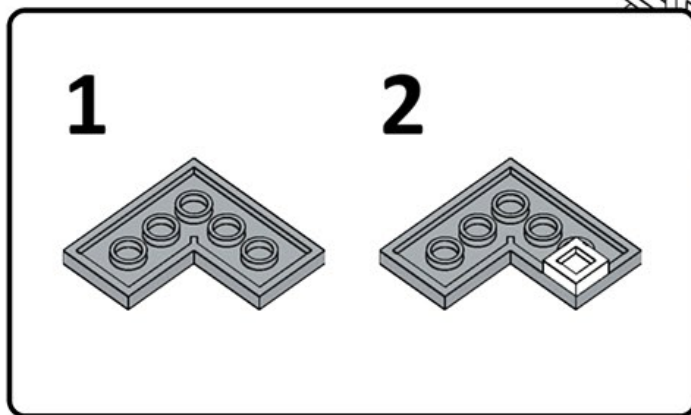
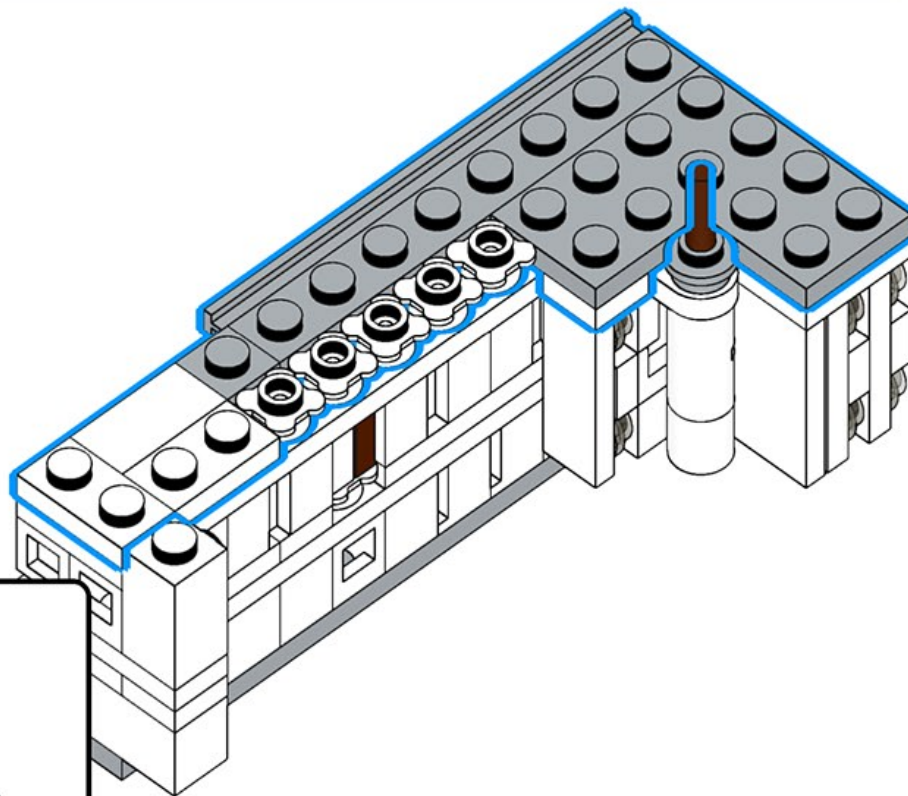
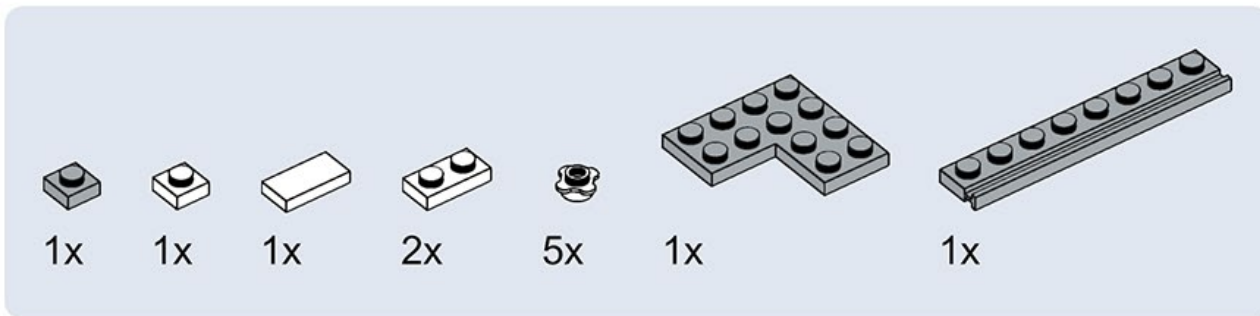




527



# 528





# 529



1x



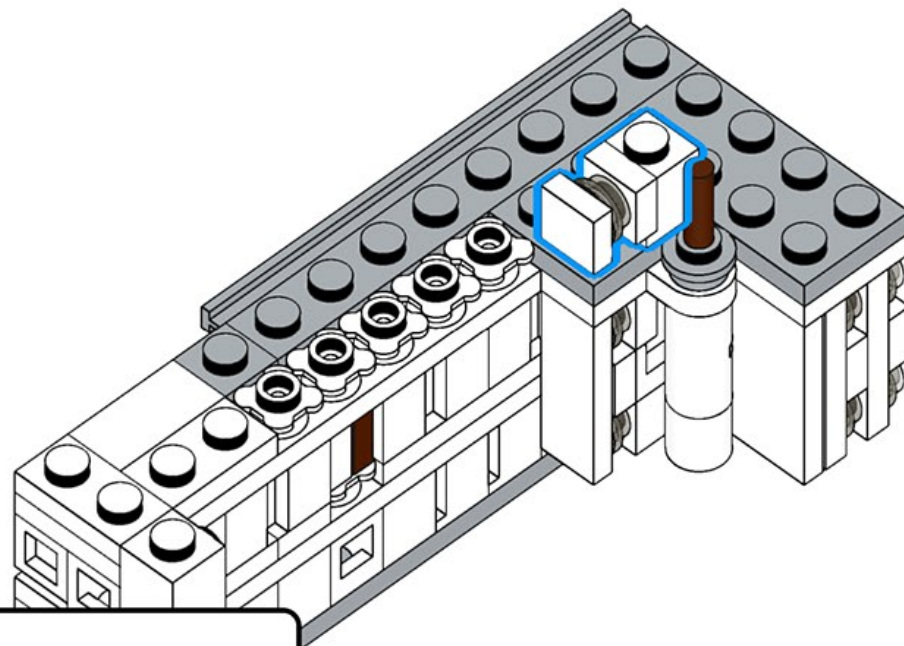
1x



1x



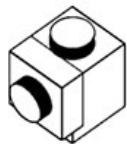
1x



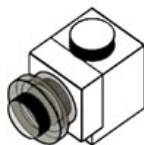
1



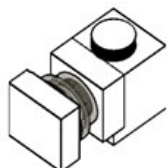
2



3

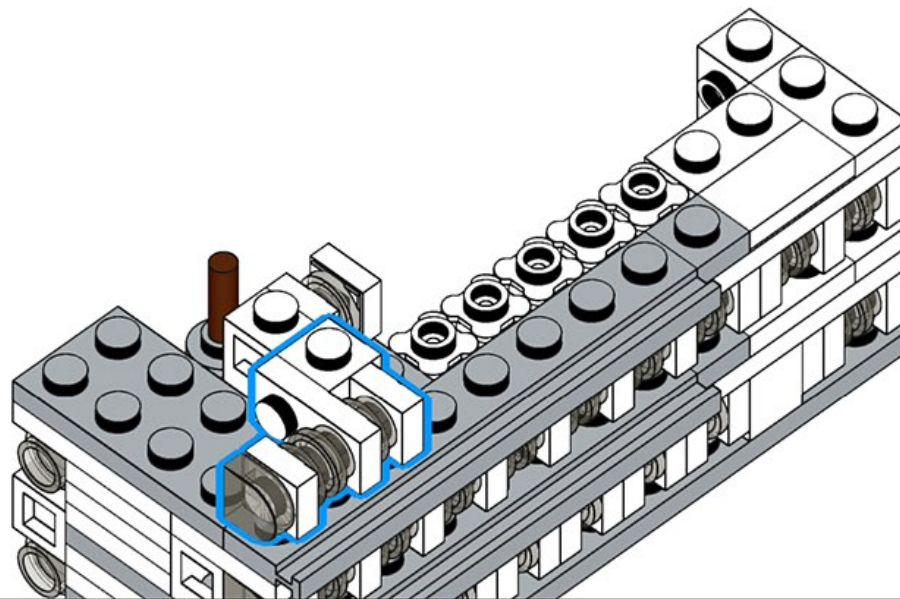


4



# 530

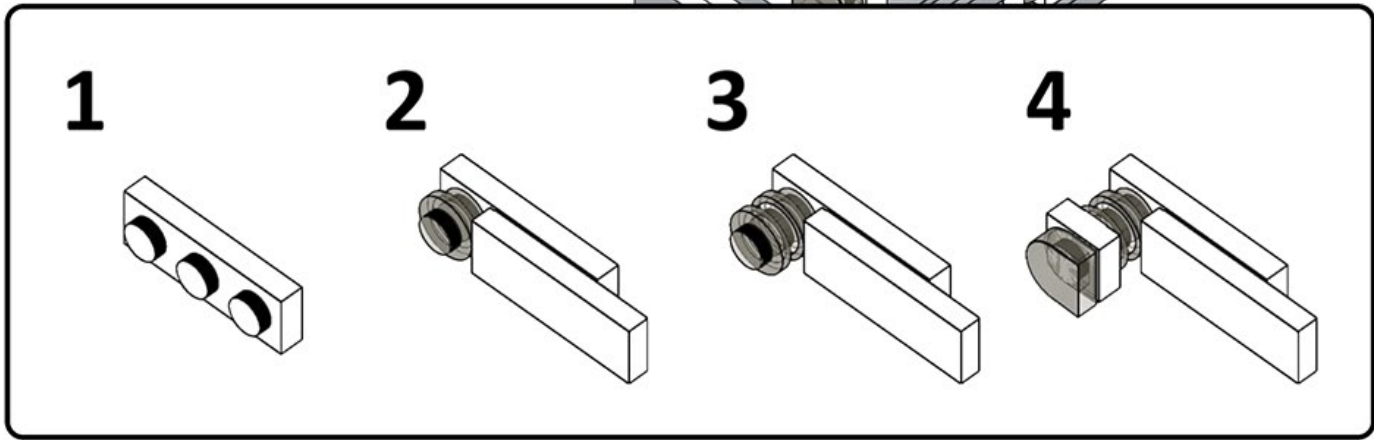
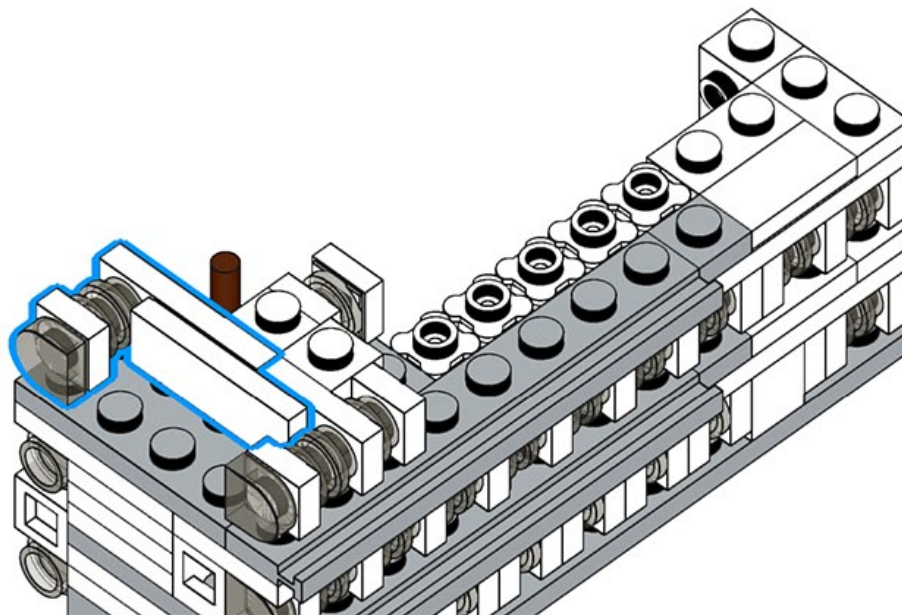
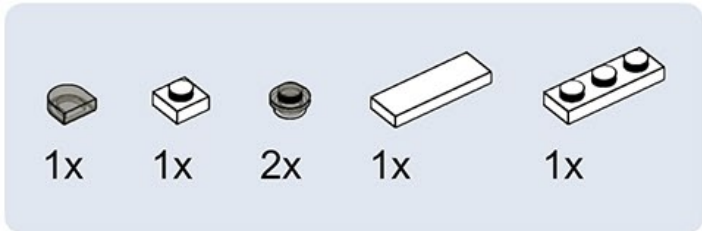
1x 3x 2x 1x 1x



1	2	3	4	5	6



# 531



# 532



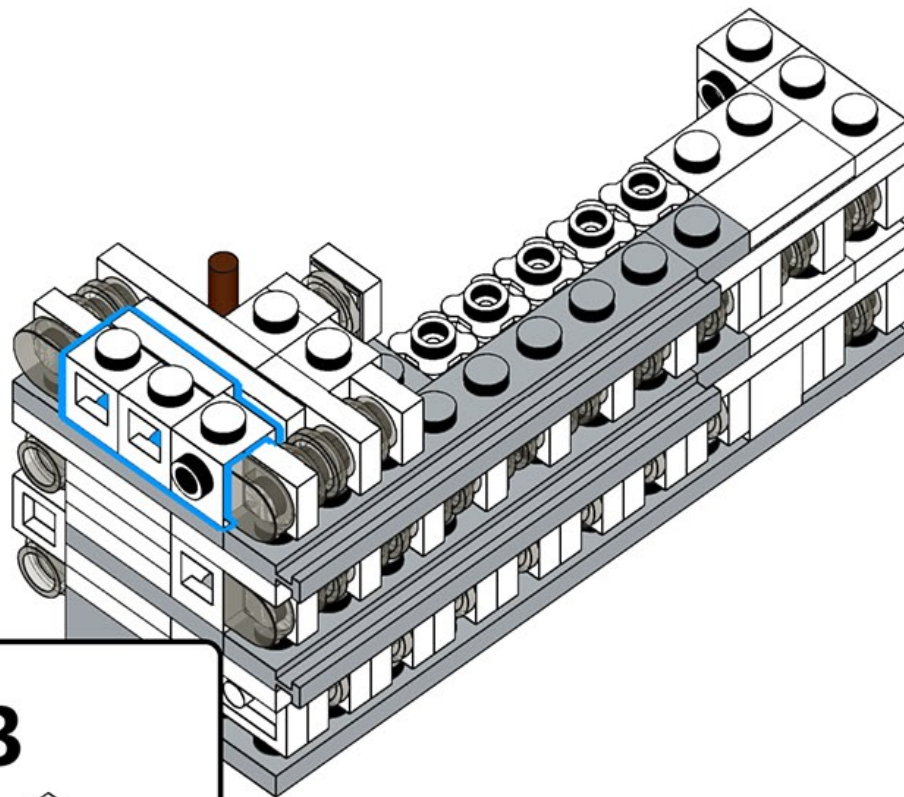
1x



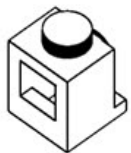
2x



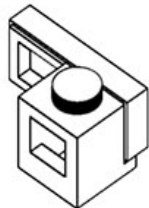
1x



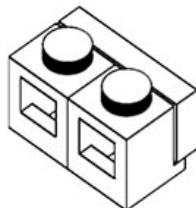
**1**



**2**

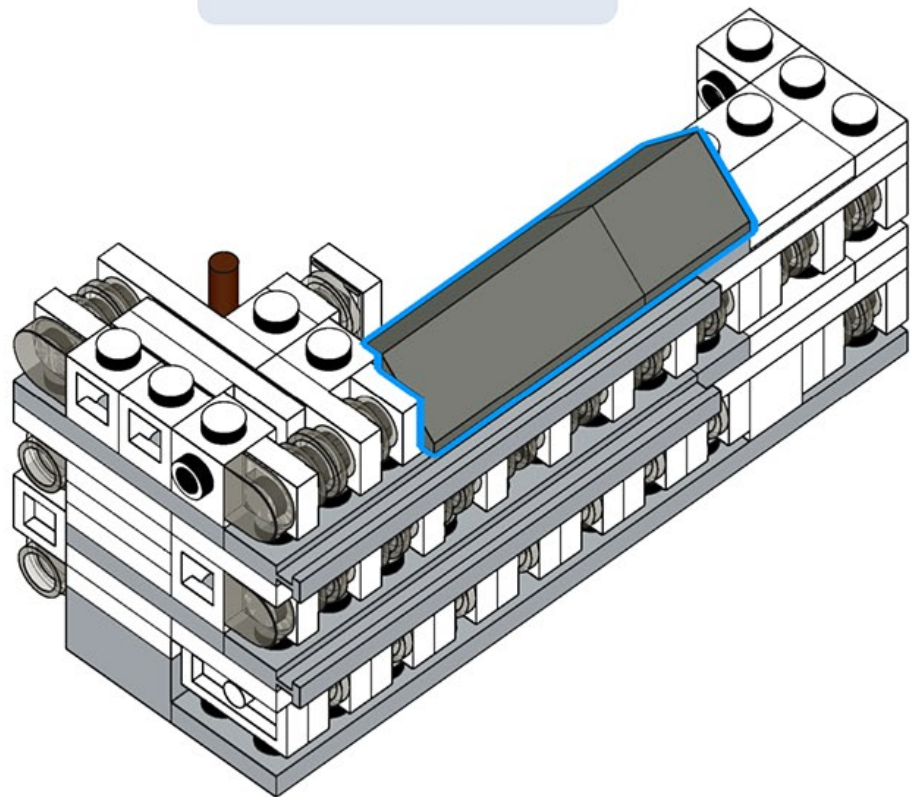
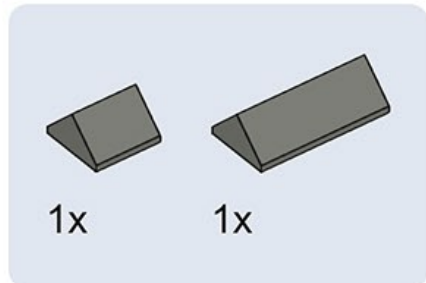


**3**

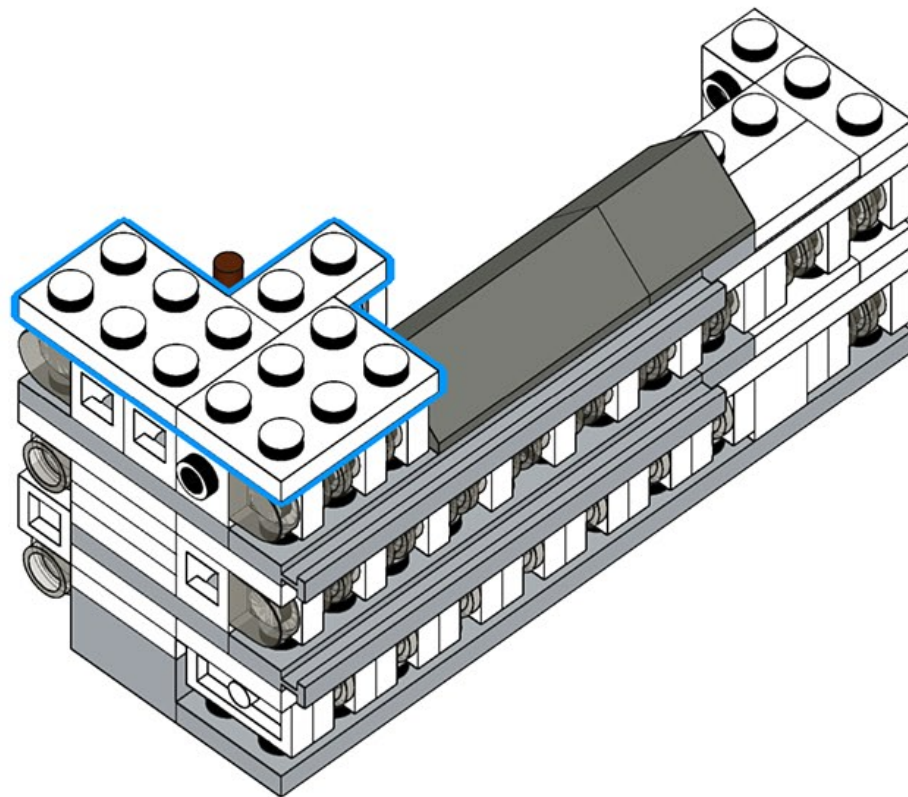
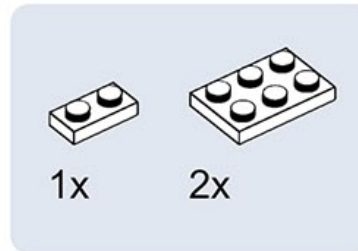




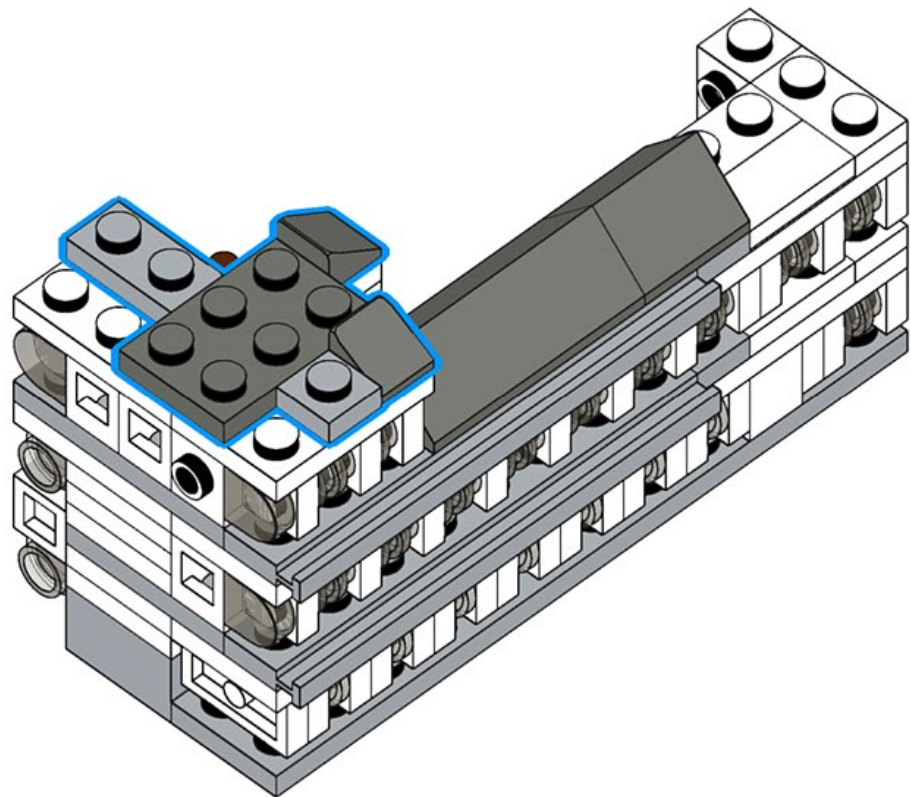
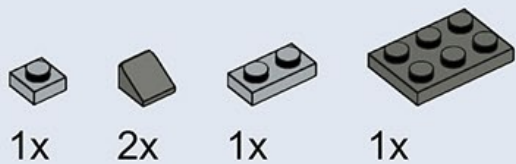
# 533



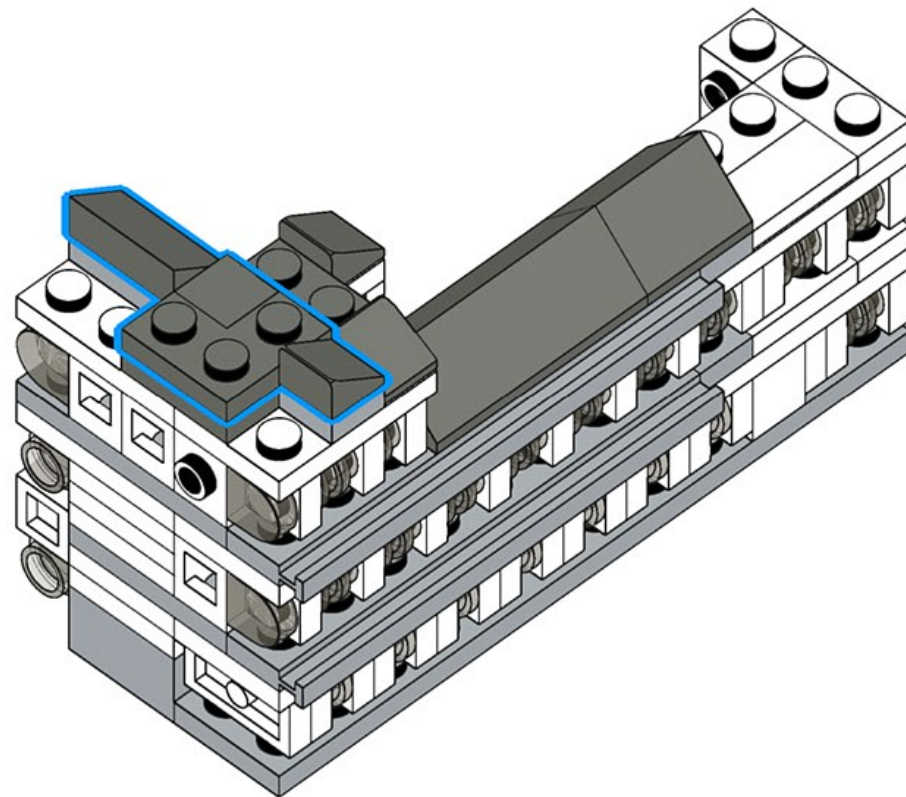
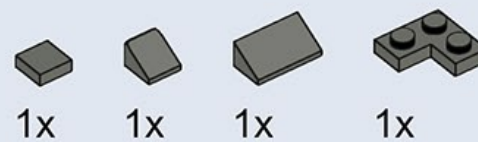
# 534



# 535

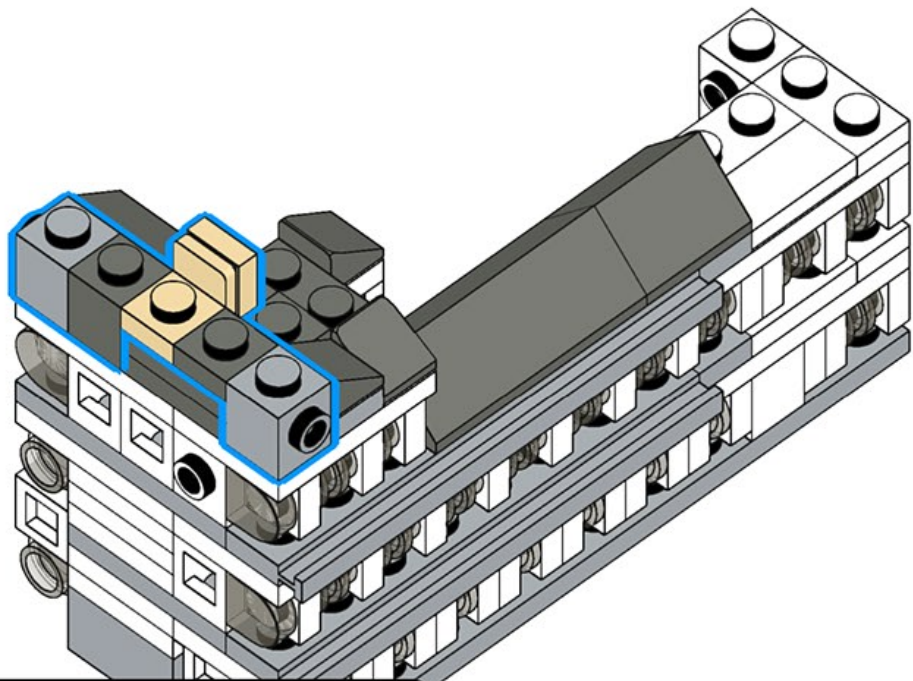


# 536





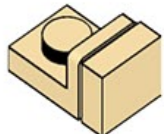
# 537



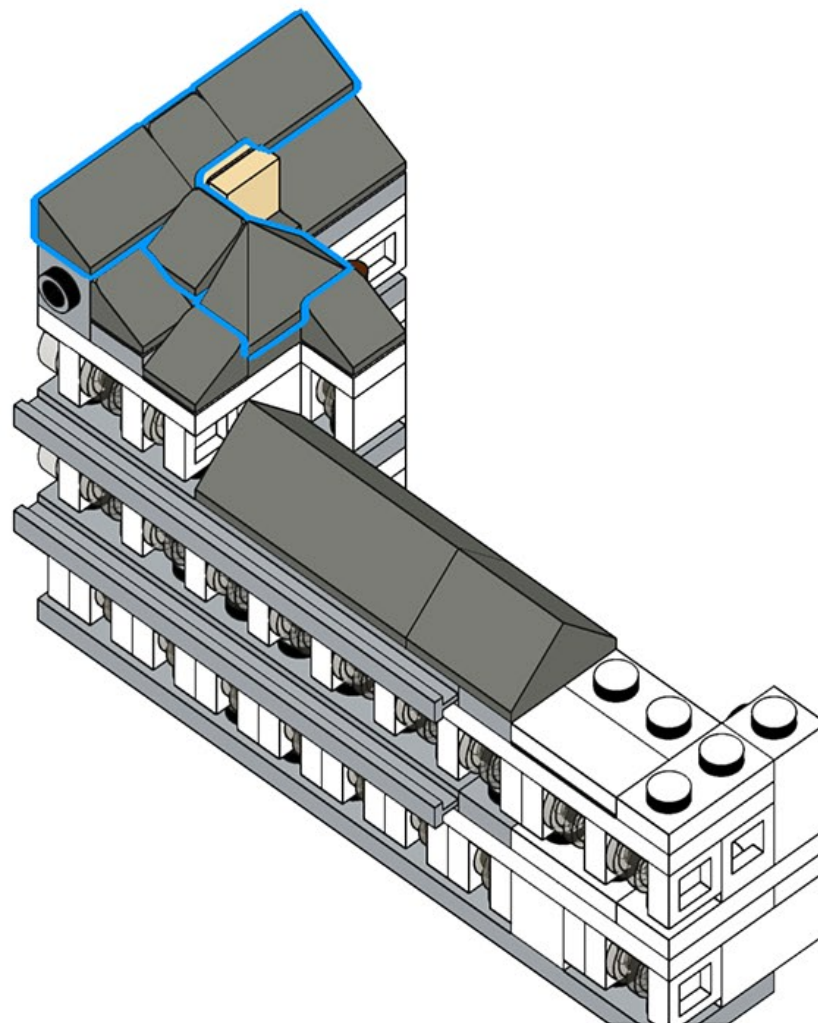
1



2



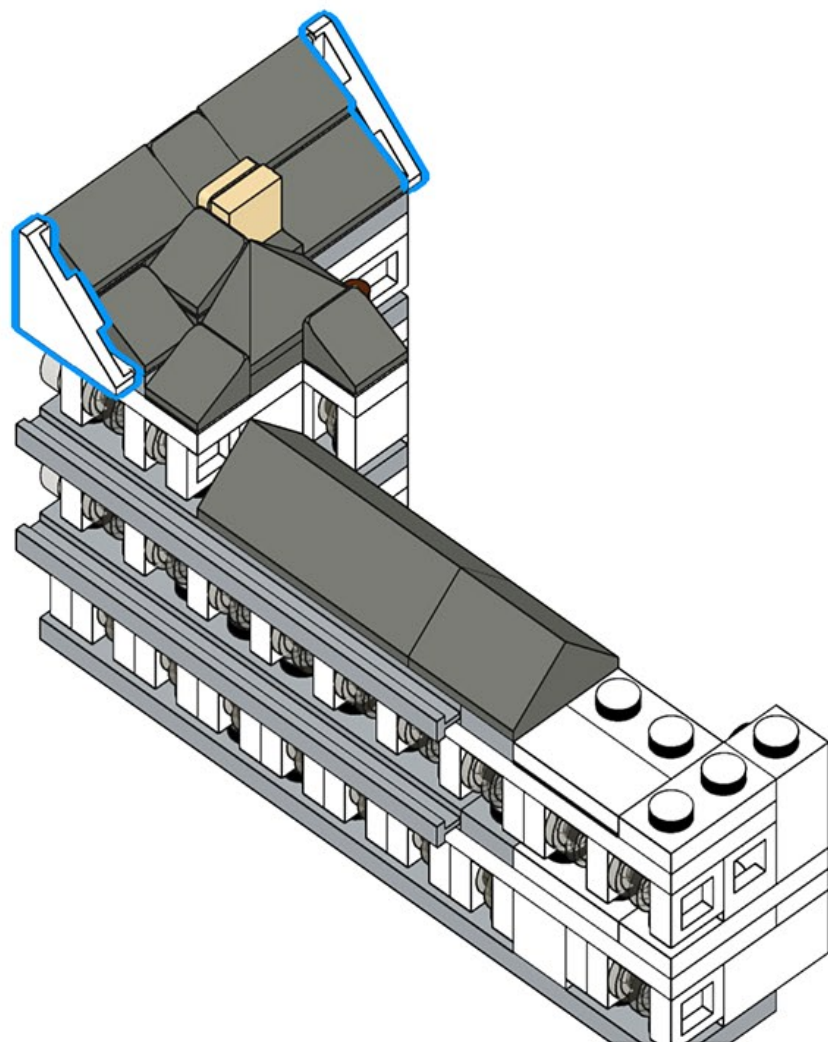
# 538



# 539



2x



# 540



1x



1x



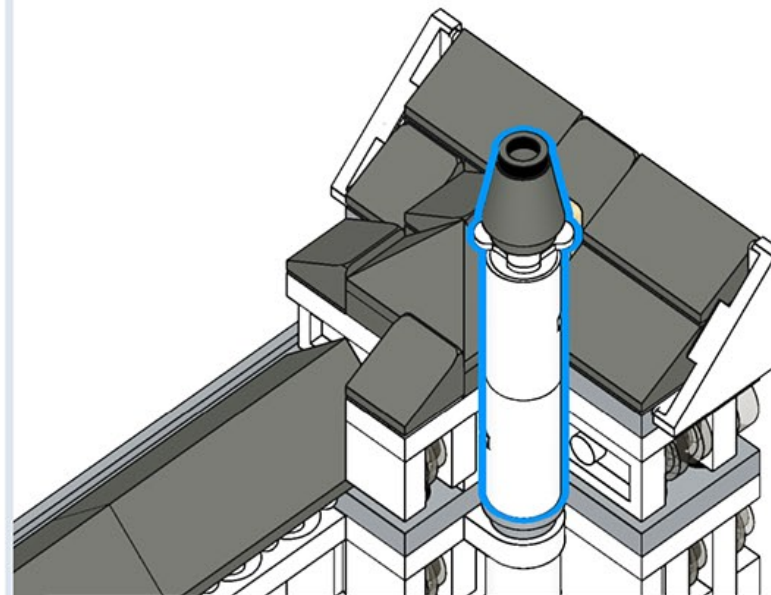
1x



1x



2x



1



2



3



4



5

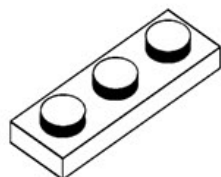
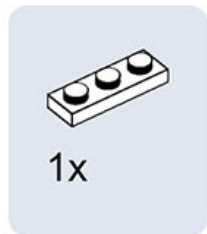


6

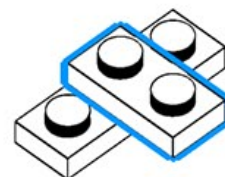
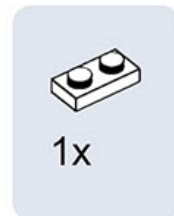




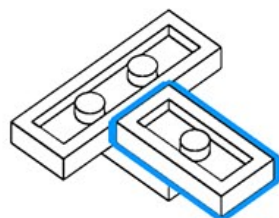
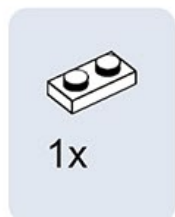
# 541



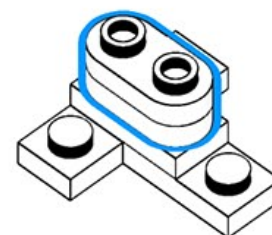
# 542



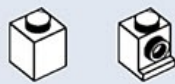
# 543



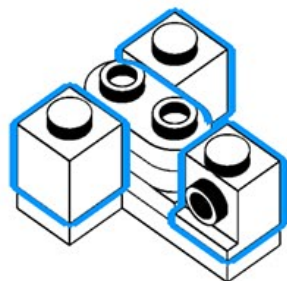
# 544



# 545



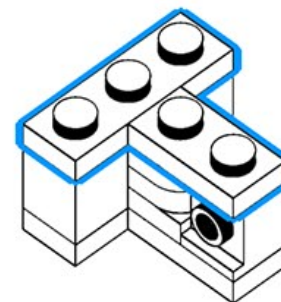
2x 1x



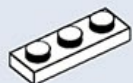
# 546



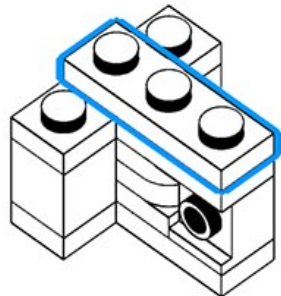
1x 1x



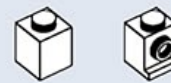
# 547



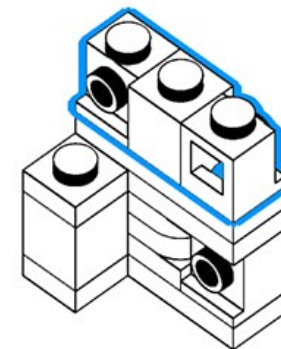
1x



# 548

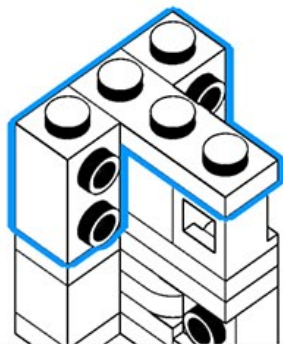
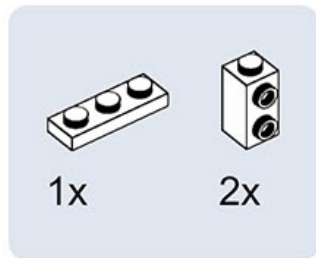


1x 2x

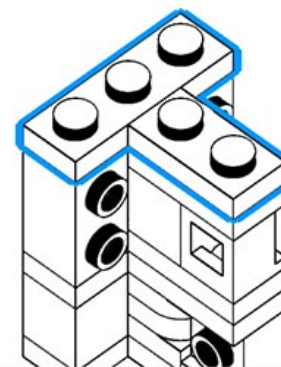
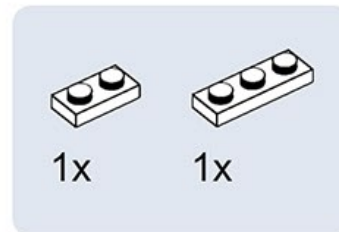




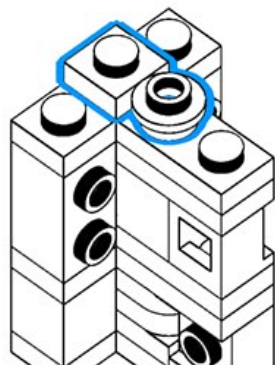
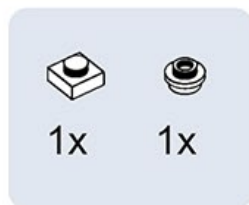
# 549



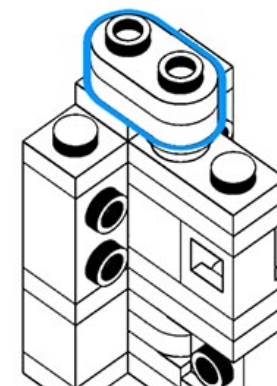
# 550



# 551



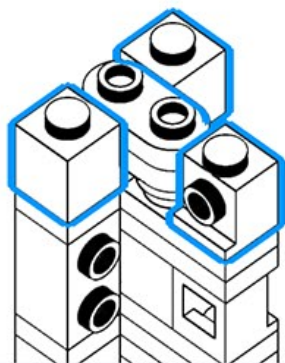
# 552



# 553



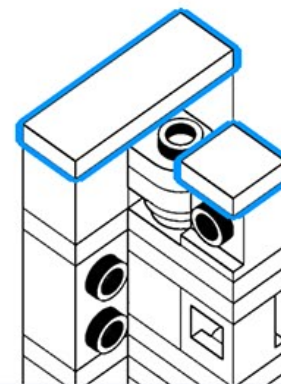
2x 1x



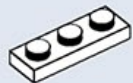
# 554



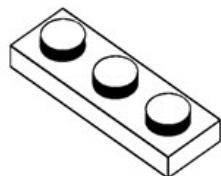
1x 1x



# 555



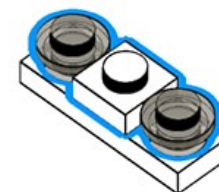
1x



# 556

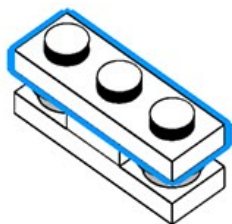
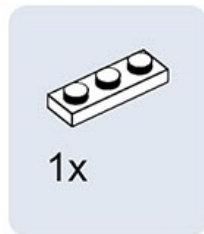


1x 2x

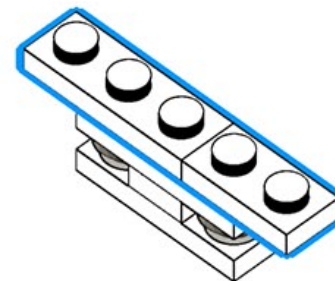
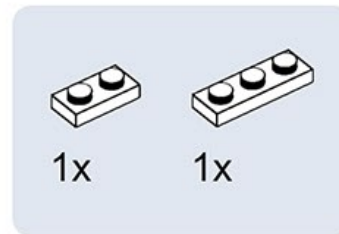




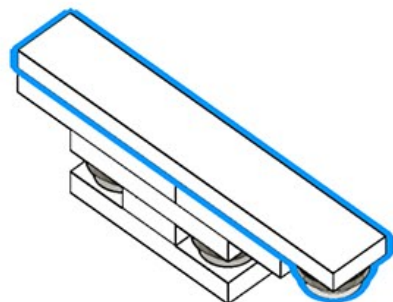
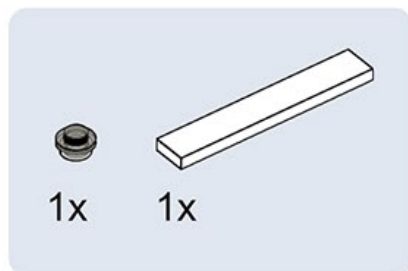
# 557



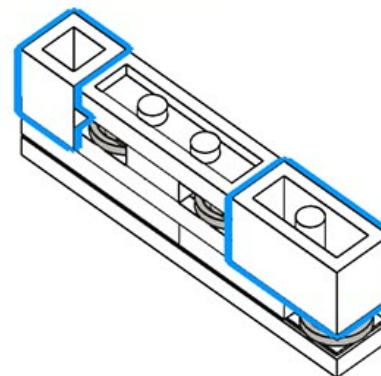
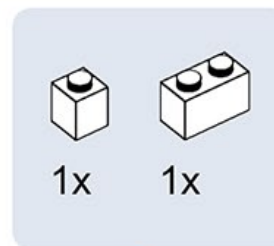
# 558



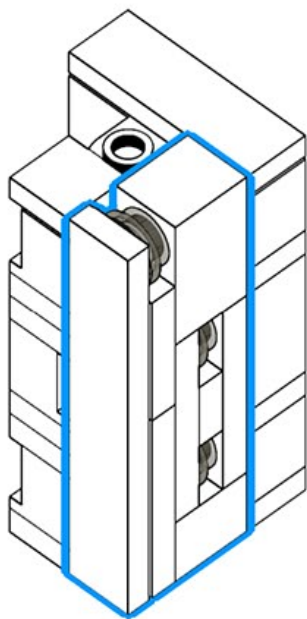
# 559



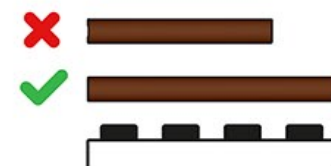
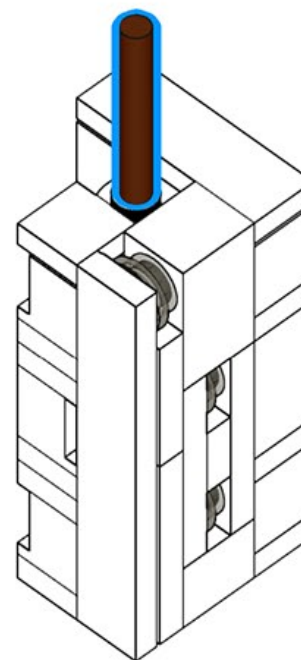
# 560



# 561

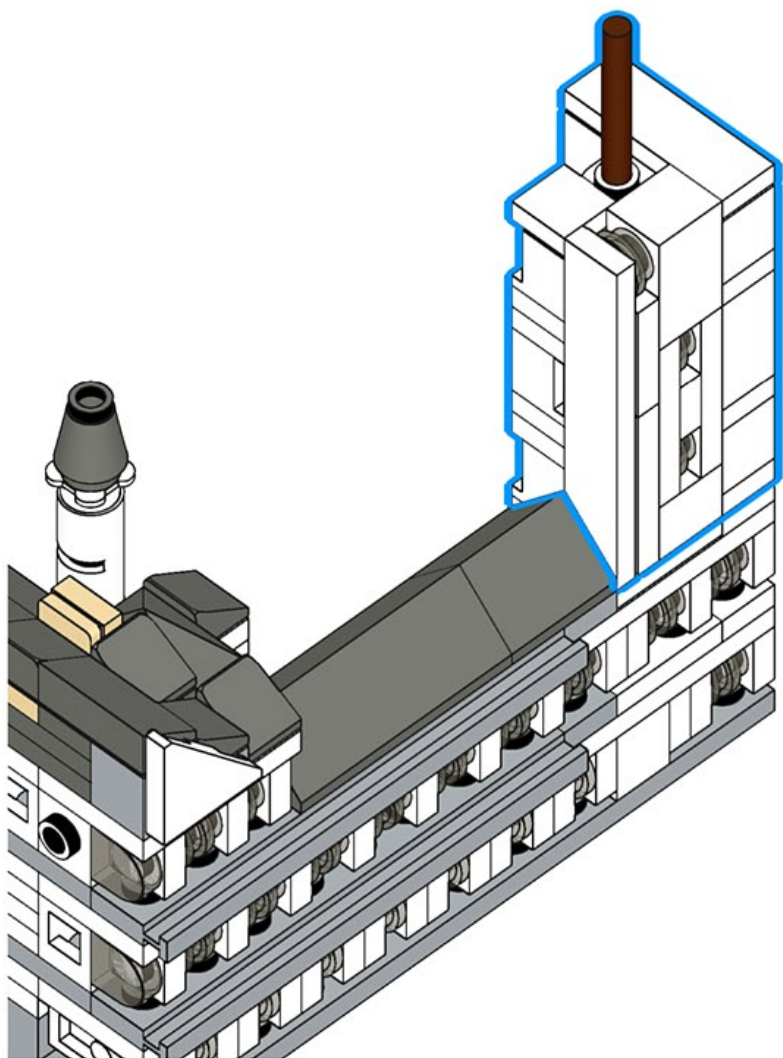


# 562

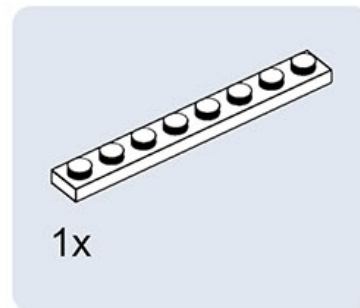




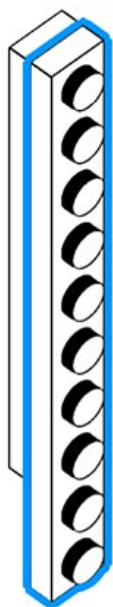
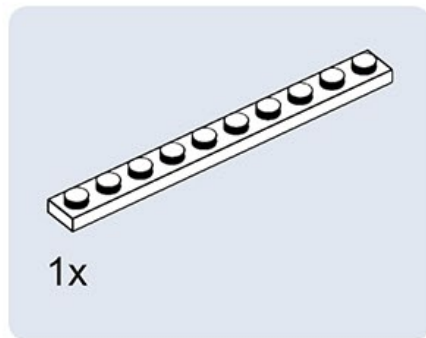
# 563



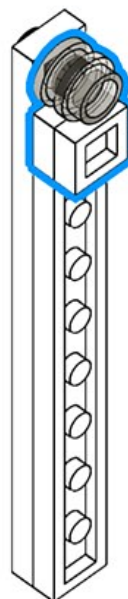
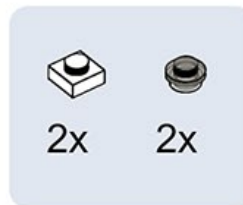
# 564



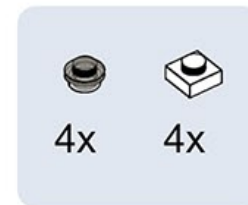
# 565



# 566



# 567





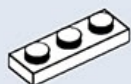
# 568



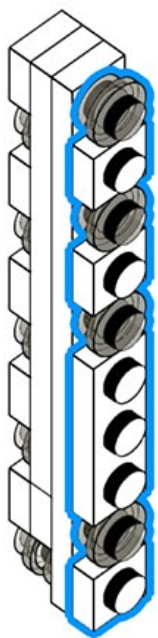
3x



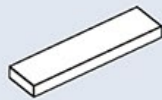
4x



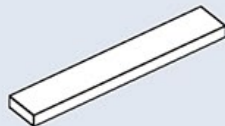
1x



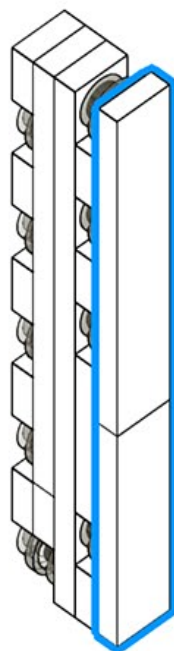
# 569



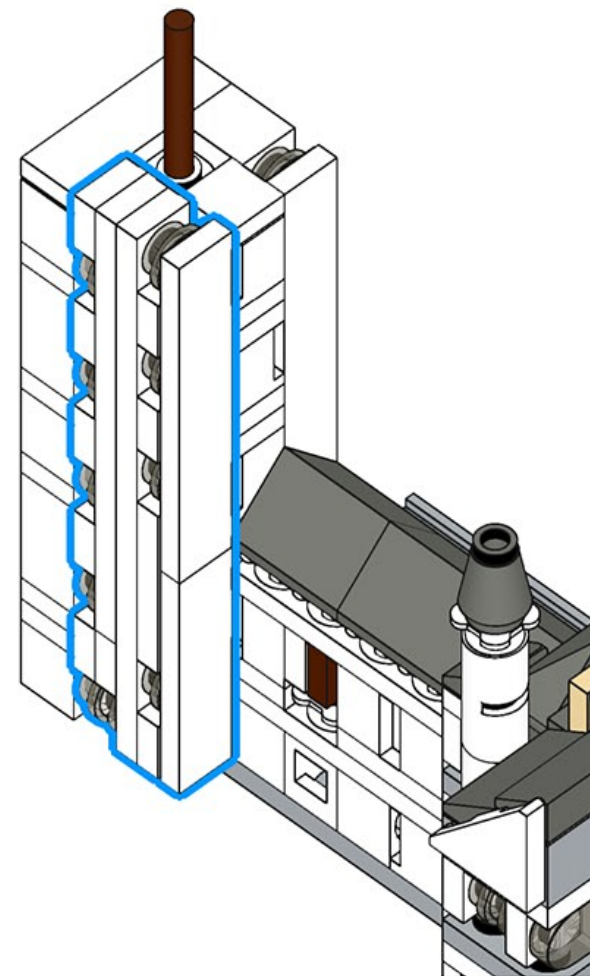
1x



1x



# 570



# 571



1x



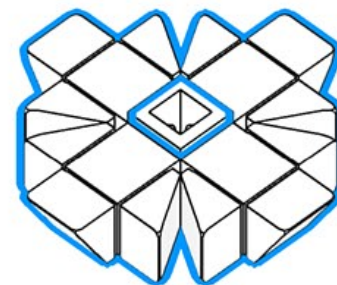
# 572



12x



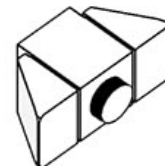
4x



**1**



**2**



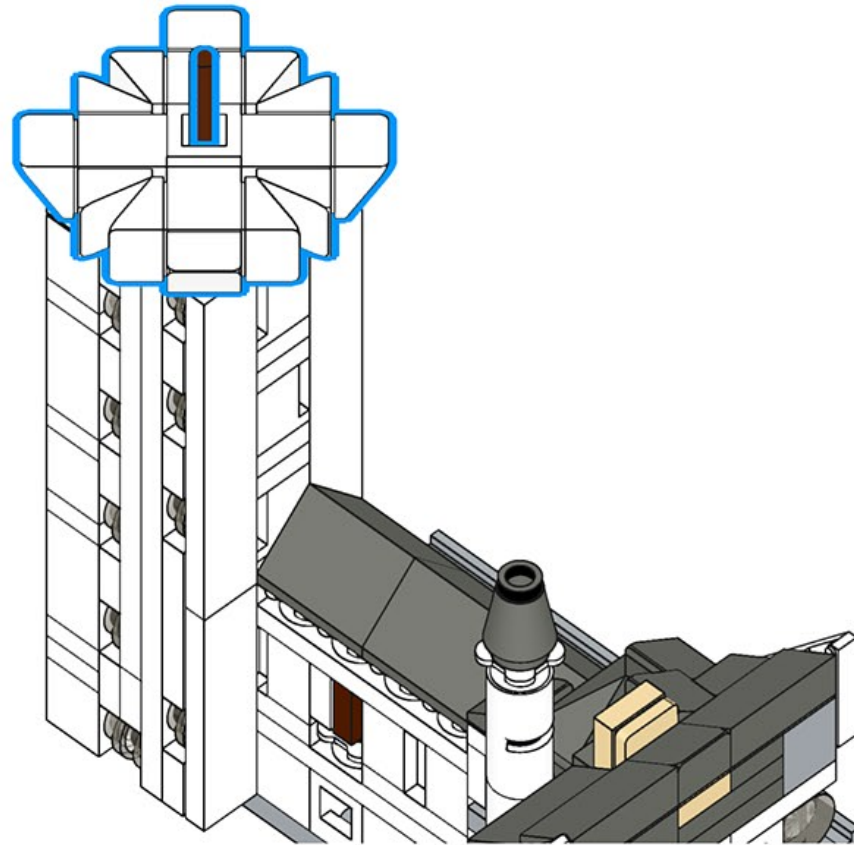
**3**



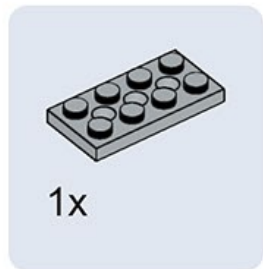
4x



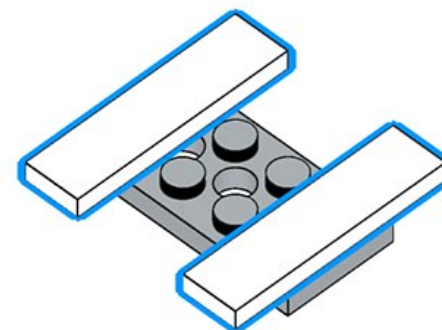
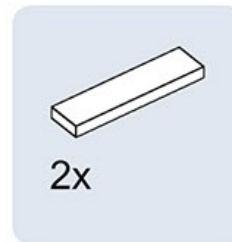
573



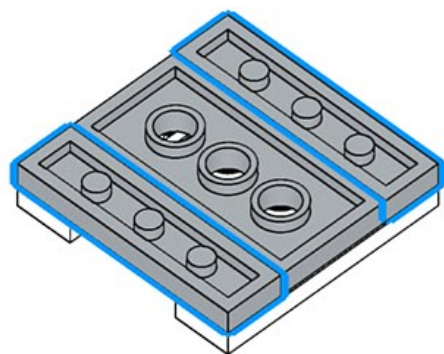
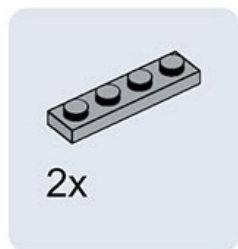
# 574



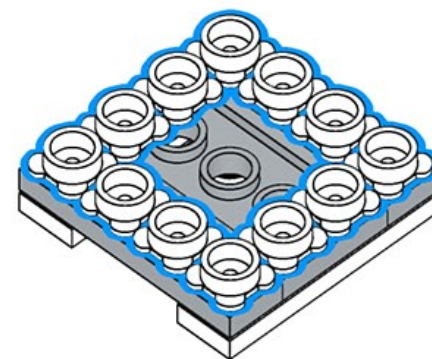
# 575



# 576

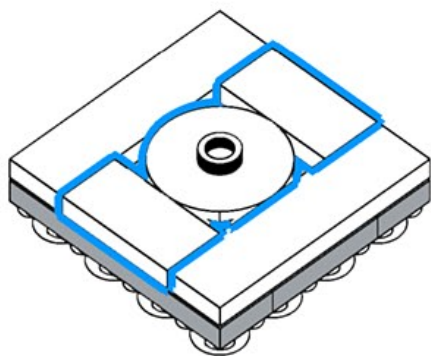
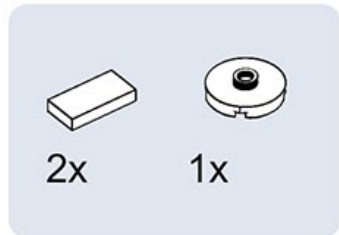


# 577

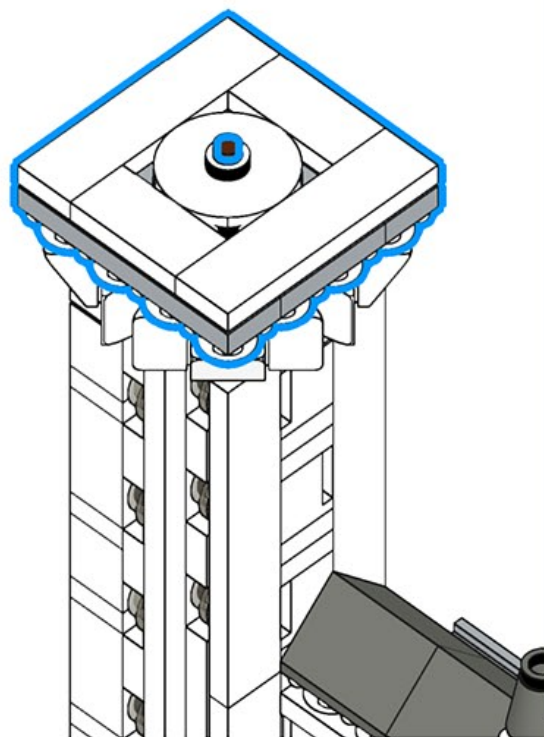




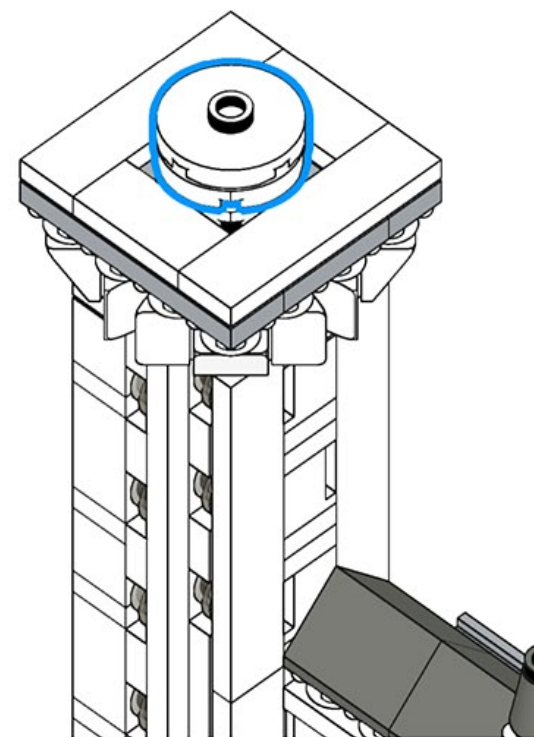
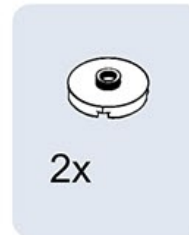
# 578



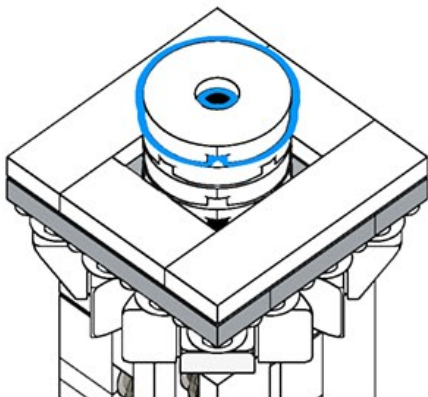
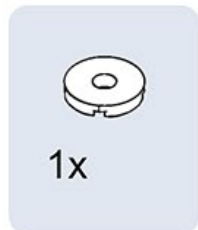
# 579



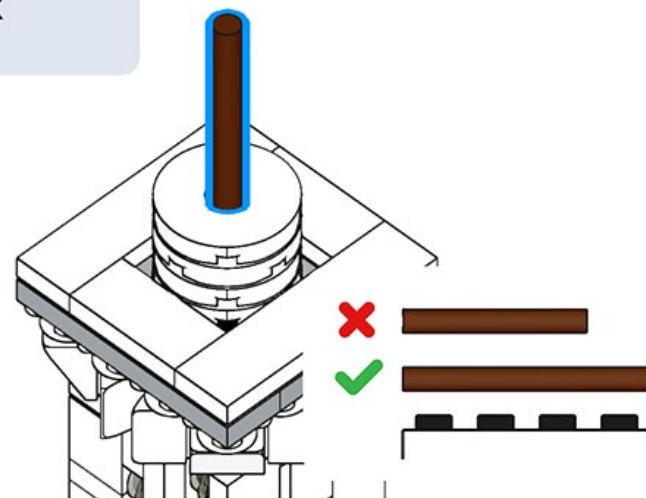
# 580



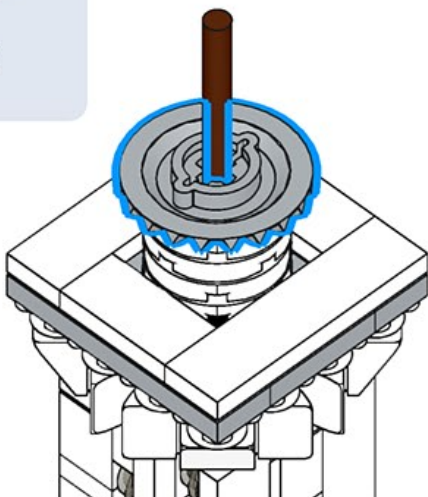
# 581



# 582



# 583



# 584





# 585



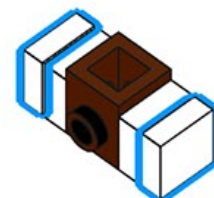
2x



# 586



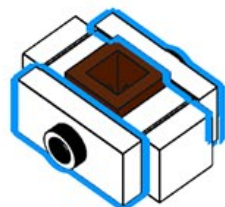
2x



# 587



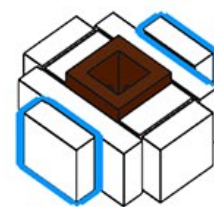
2x



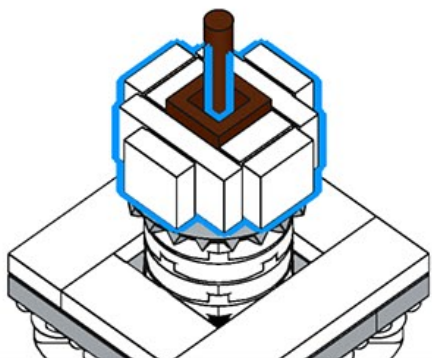
# 588



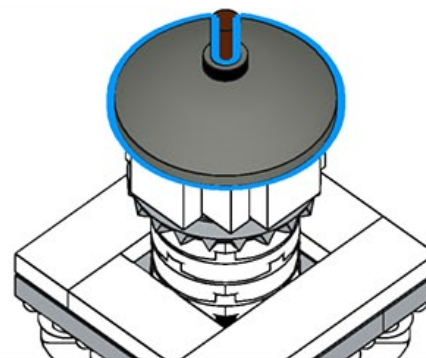
2x



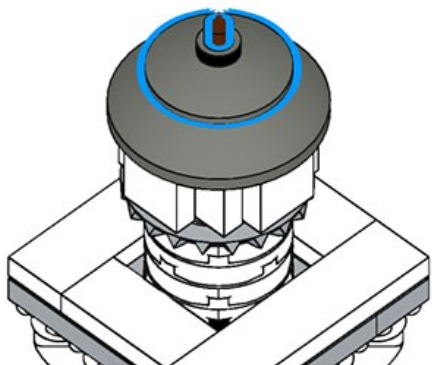
# 589



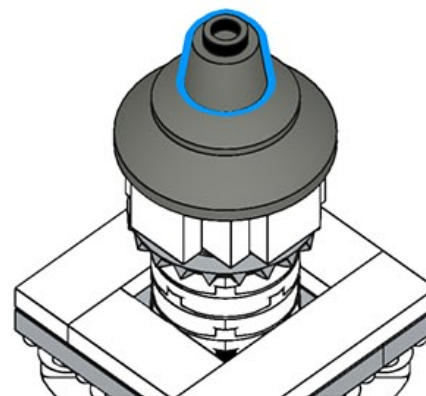
# 590



# 591



# 592








593

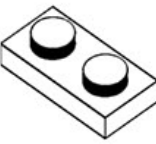


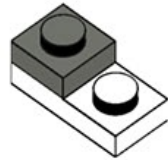


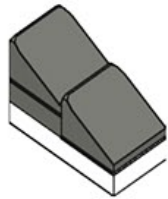
# 594

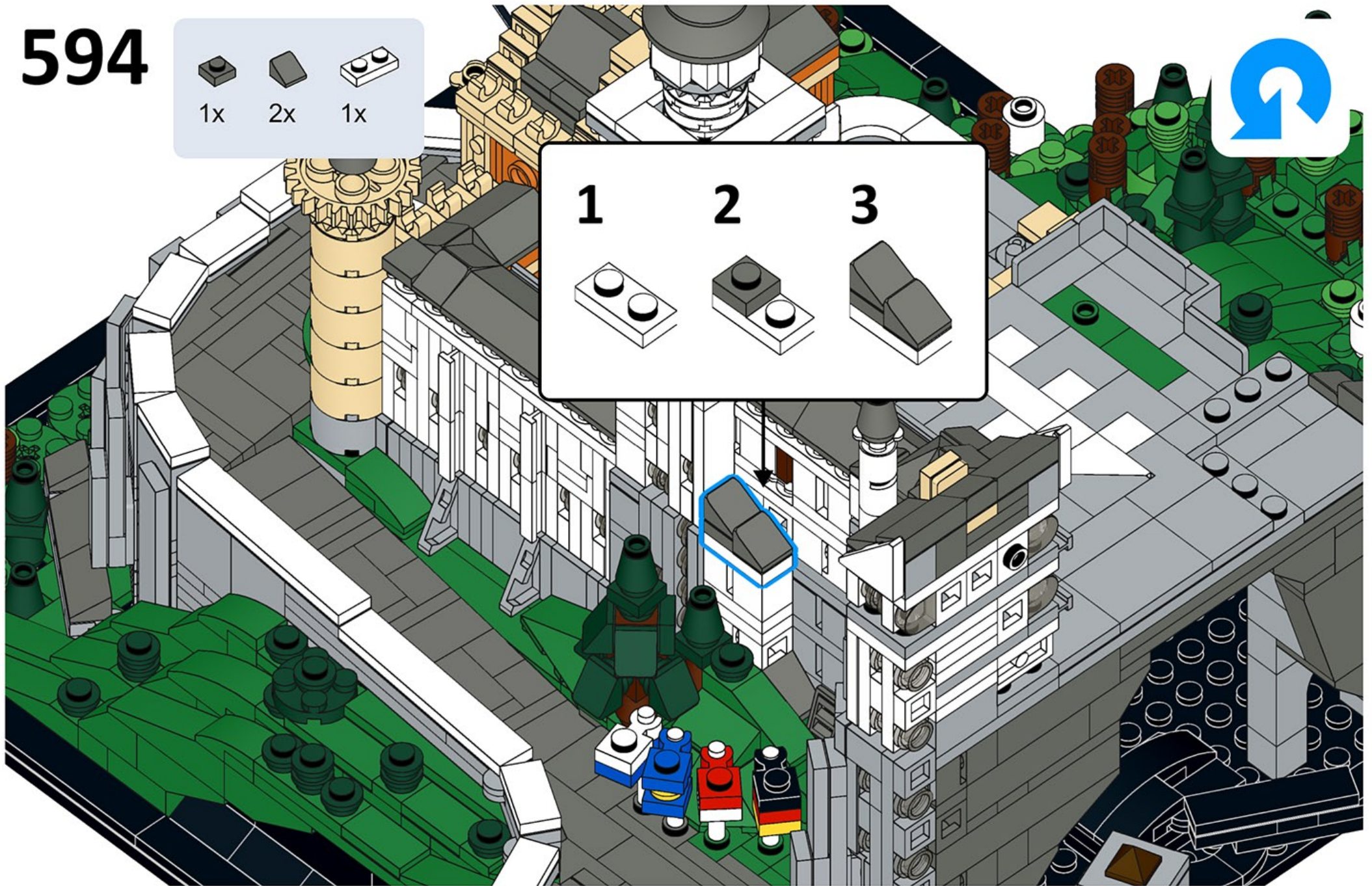
1x  2x  1x 



**1** 

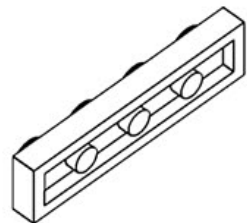
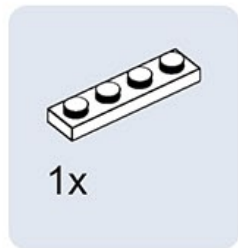
**2** 

**3** 

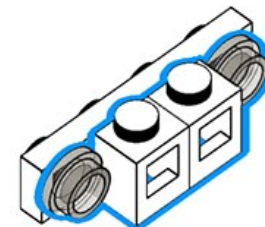
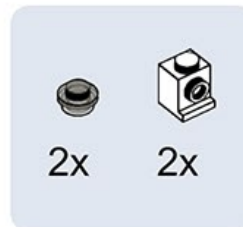




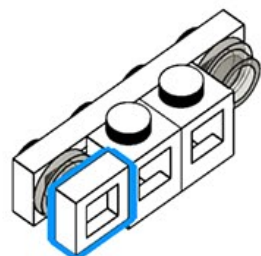
# 595



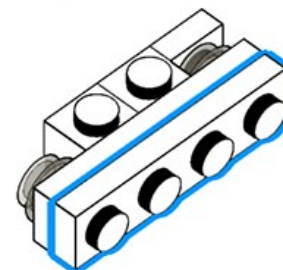
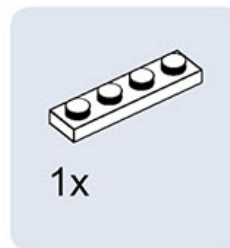
# 596



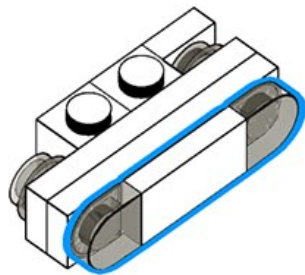
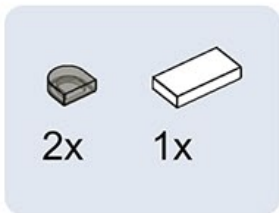
# 597



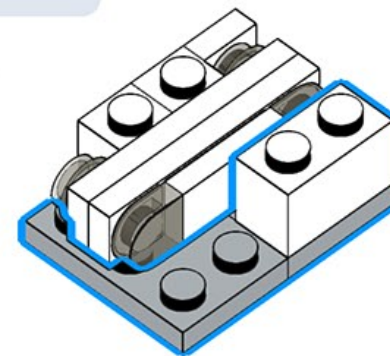
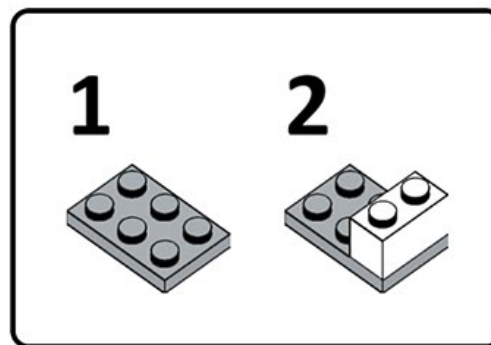
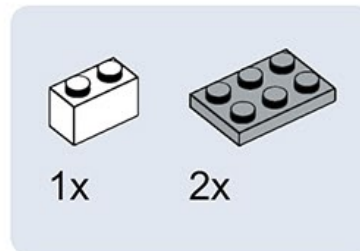
# 598



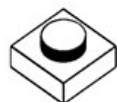
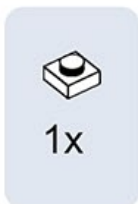
# 599



# 600



# 601



# 602

